

Micrometer

The origin of Mitutoyo's trustworthy brand of small tool instruments

Tube Micrometers SERIES 395, 115, 295

MeasurLink¹ ENABLED
Data Management Software by Mitutoyo

- Measuring faces: Carbide.
(115-101: only the spindle is carbide tipped.)
- series 395: IP65 digital spherical-flat anvil type micrometer.
- Equipped with Ratchet Stop for constant measuring force.



SPECIFICATIONS

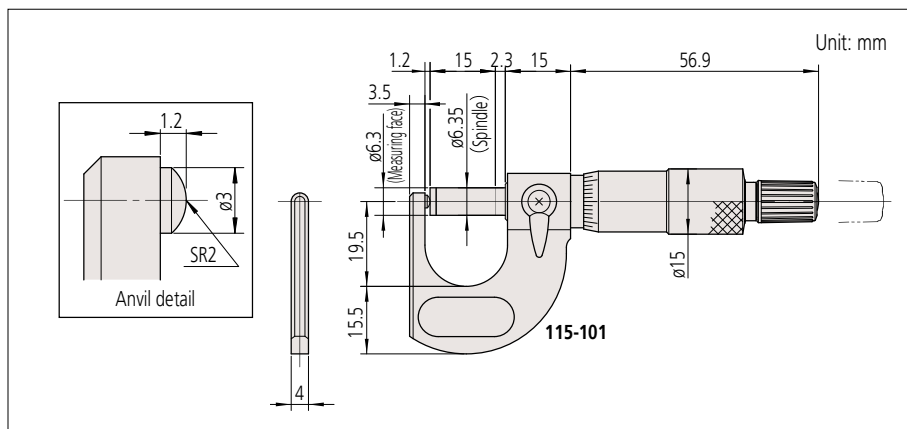
Metric				
Order No.	Range (mm)	Resolution (mm)	Maximum permissible error J_{MPE} (μm)	ϕD
Digimatic (LCD)				
395-251-30	0 - 25	0.001	± 2	$\phi 15$
395-252-30	25 - 50			$\phi 19$
395-253-30	50 - 75		± 3	$\phi 20$
395-254-30	75 - 100			

Metric				
Order No.	Range (mm)	Graduation (mm)	Maximum permissible error J_{MPE} (μm)	ϕD
Analog				
115-101	0 - 15	0.01	± 3	$\phi 5.5$
115-115	0 - 25			$\phi 10$
115-116	25 - 50			$\phi 11$
115-117	50 - 75		$\phi 17$	
115-118	75 - 100		± 4	$\phi 18$
Mechanical counter model				
295-115	0 - 25		± 3	$\phi 10$

Note: For functional details of series 395 refer to page B-8.

Optional connecting cable is available only for water-proof type (Digimatic model).

DIMENSIONS



MeasurLink¹ ENABLED
Data Management Software by Mitutoyo

Products equipped with the measurement data output function can be connected to the measurement data network system MeasurLink (refer to page A-5 for details).



These marks indicate that a product has successfully passed IP65-level testing, which is carried out by the independent German certification organization TÜV Rheinland.



www.tuv.com
ID 0000040191

IP Codes (series 395)

Level 6: Dust-proof.

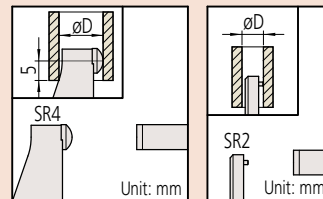
No ingress of dust allowed.

Level 5: Protected against water jets.

Water projected in jets against the enclosure from any direction shall have no harmful effects.

Technical Data

- Flatness: 0.6 μm /0.000024 in (series 115 & 295)
0.3 μm /0.000012 in (series 395)



Other than 115-101

115-101

Technical Data

- Battery for series 395
SR44 (1 pc.), 938882, for initial operational checks (standard accessory)
- Battery life: Approx. 2.4 years under normal use (for series 395)
- Length standard: Electromagnetic rotary sensor (for series 395)
- Standard accessories: Reference bar, 1 pc.
(except for measuring range 0 to 15 mm/0 to 25 mm (0 to 1 in) models)
Spanner (200168), 1 pc. (for series 115-101)
Spanner (301336), 1 pc. (for models other than series 115-101)

Optional Accessories

- Connecting cables for series 395
1 m: 05CZA662
2 m: 05CZA663
- USB Input Tool Direct
USB-ITN-B (2 m): 06AFM380B
- U-WAVE-T dedicated connection cable
160 mm: 02AZD790B
For foot switch: 02AZE140B
Refer to page A-27 for details.

Wireless Data Output U-WAVE^{fit}

- U-WAVE-TM 264-622 (IP67 type)
264-623 (Buzzer type)
- U-WAVE-TMB Transmitter
Mitutoyo Bluetooth[®] U-WAVE
264-626 (IP type)
264-627 (Buzzer type)
Refer to page A-16 for details.
- Connecting unit for U-WAVE-TM/TMB
02AZF310 (IP67/buzzer type common specification)
Refer to pages A-16 and A-18 for details.