

Vibrations and Shocks Resistant Lens for C-mount Cameras

VS-MCA Series

- Vibrations and shocks resistant lens for megapixel C-mount cameras.
- Lineup of 10 models with focal lengths ranging from 4 to 75 mm.
- The increased resistance to vibration enables application in environments where the lens is moved and where ambient vibrations occur.
- Install in narrow space without a lock screw.
- The hexagonal lock ring makes tightening easier.



Ordering Information

Recommended camera	Model	Dimensions	Focal distance (mm)	Aperture (fixed F No.)	Maximum outer diameter (mm)	Total length (mm)	Filter size	WD (mm)	Depth of field * (mm)	Maximum compatible CCD	
FZ-S□ FZ-SH□ FH-S□ FH-S□X FH-S□05R FHV7H-□	3Z4S-LE VS-MCA4	A	4	2	31 dia.	29.0 to 29.2	M27.0 P0.5	403.2	1680.0	1/2 inch	
								196.2	420.0		
								92.7	105.0		
	3Z4S-LE VS-MCA4-F5.6			403.2		4560.0					
						196.2	1140.0				
						92.7	290.0				
	3Z4S-LE VS-MCA4-F8	403.2	6480.0								
			196.2	1640.0							
			92.7	415.0							
	3Z4S-LE VS-MCA6.5	B	6.5	2	31 dia.	23.1 to 23.4	M27.0 P0.5	656.0	1840.0		1/2 inch
								209.6	204.4		
								98.0	51.1		
3Z4S-LE VS-MCA6.5-F5.6	656.0			4560.0							
				209.6		515.6					
				98.0		131.1					
3Z4S-LE VS-MCA6.5-F8	656.0	6480.0									
		209.6	728.9								
		98.0	188.9								
3Z4S-LE VS-MCA10	C	10	2	31 dia.	24.2 to 25.5	M27.0 P0.5	504.1	460.0	1/2 inch		
							94.0	19.2			
							59.9	9.2			
3Z4S-LE VS-MCA10-F5.6			504.1		1140.0						
					94.0	49.6					
					59.9	22.8					
3Z4S-LE VS-MCA10-F8	504.1	1640.0									
		94.0	70.4								
		59.9	32.7								
3Z4S-LE VS-MCA15	D	15	2	31 dia.	27.9 to 32.0	M27.0 P0.5	490.7	186.7		2/3 inch	
							65.4	4.8			
							40.3	2.3			
3Z4S-LE VS-MCA15-F5.6			490.7		515.6						
					65.4	13.4					
					40.3	6.5					
3Z4S-LE VS-MCA15-F8	490.7	728.9									
		65.4	19.2								
		40.3	9.2								

Vibrations and Shocks Resistant Lens for C-mount Cameras VS-MCA Series

Recommended camera	Model	Dimensions	Focal distance (mm)	Aperture (fixed F No.)	Maximum outer diameter (mm)	Total length (mm)	Filter size	WD (mm)	Depth of field * (mm)	Maximum compatible CCD
FZ-S□ FZ-SH□ FH-S□ FH-S□X FZ-S□2M FZ-S□5M3 FH-S□05R FH-S□X05 FHV7H-□	3Z4S-LE VS-MCA20	E	20	2	31 dia.	24.5 to 32.0	M27.0 P0.5	516.8	105.0	2/3 inch
								81.8	3.2	
								50.7	1.5	
	3Z4S-LE VS-MCA20-F5.6			5.6		516.8	290.0			
						81.8	9.0			
						50.7	3.9			
	3Z4S-LE VS-MCA20-F8	8	516.8	415.0						
			81.8	12.8						
			50.7	5.6						
	3Z4S-LE VS-MCA25	F	25	2	31 dia.	27.0 to 38.5	M27.0 P0.5	514.6	67.2	2/3 inch
								106.6	3.2	
								55.6	1.0	
	3Z4S-LE VS-MCA25-F5.6			5.6		514.6	188.8			
						106.6	9.0			
						55.6	2.7			
	3Z4S-LE VS-MCA25-F8	8	514.6	268.8						
			106.6	12.8						
			55.6	3.8						
	3Z4S-LE VS-MCA30	G	30	2	31 dia.	24.5 to 36.2	M27.0 P0.5	513.5	53.3	2/3 inch
								213.5	8.2	
								80.1	1.3	
	3Z4S-LE VS-MCA30-F5.6			5.6		513.5	131.1			
						213.5	22.8			
						80.1	3.2			
	3Z4S-LE VS-MCA30-F8	8	513.5	188.9						
			213.5	32.7						
			80.1	4.6						
3Z4S-LE VS-MCA35	H	35	2	31 dia.	32.0 to 45.7	M27.0 P0.5	163.9	3.0	2/3 inch	
							145.9	2.2		
							83.1	0.7		
3Z4S-LE VS-MCA35-F5.6			5.6		163.9	8.4				
					145.9	6.5				
					83.1	1.7				
3Z4S-LE VS-MCA35-F8	8	163.9	12.0							
		145.9	9.2							
		83.1	2.5							
3Z4S-LE VS-MCA50	I	50	2	31 dia.	44.0 to 63.4	M27.0 P0.5	633.6	32.5	2/3 inch	
							270.1	6.0		
							128.7	1.3		
3Z4S-LE VS-MCA50-F5.6			5.6		633.6	75.0				
					270.1	13.4				
					128.7	2.9				
3Z4S-LE VS-MCA50-F8	8	633.6	107.5							
		270.1	19.2							
		128.7	4.1							
3Z4S-LE VS-MCA75	J	75	2	31 dia.	70.0 to 105.5	M27.0 P0.5	562.9	16.7	2/3 inch	
							404.4	9.2		
							153.8	1.3		
3Z4S-LE VS-MCA75-F5.6			5.6		562.9	28.6				
					404.4	13.4				
					153.8	2.5				
3Z4S-LE VS-MCA75-F8	8	562.9	41.2							
		404.4	19.2							
		153.8	3.6							

Note: Vibrations and Shocks Resistant Lenses for 1-inch image sensors are also available. Ask your OMRON representative for details.

* Calculated using a permissible circle of confusion diameter of 0.04 mm.

Standard Models
FLV Series

High-brightness Models
FL Series

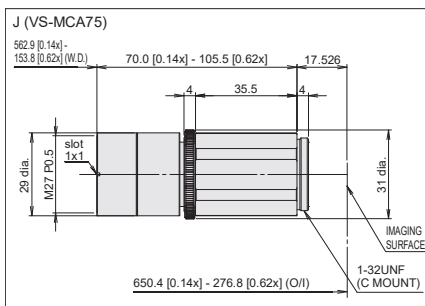
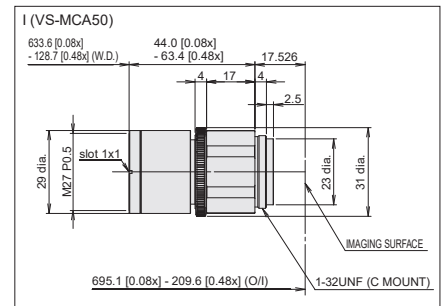
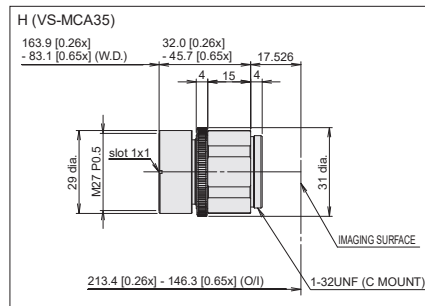
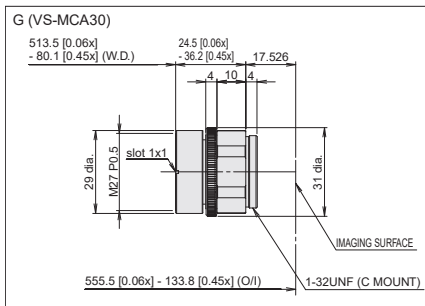
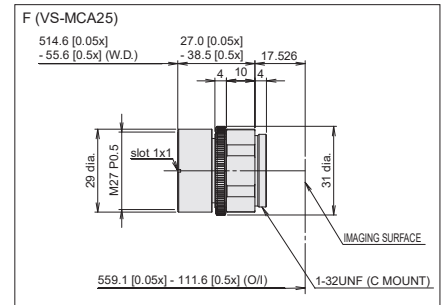
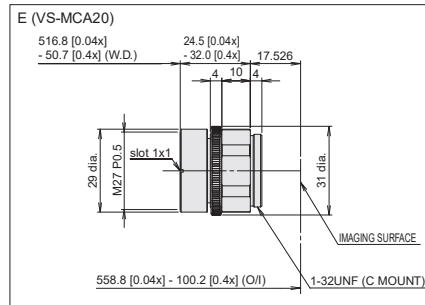
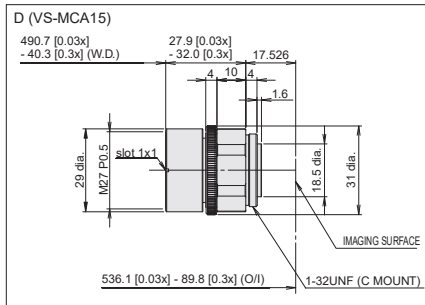
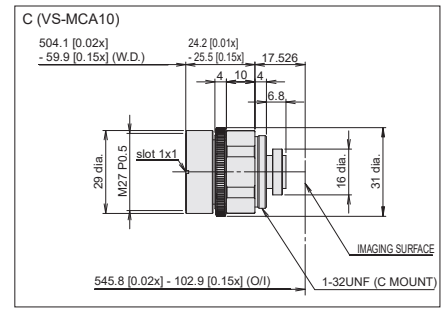
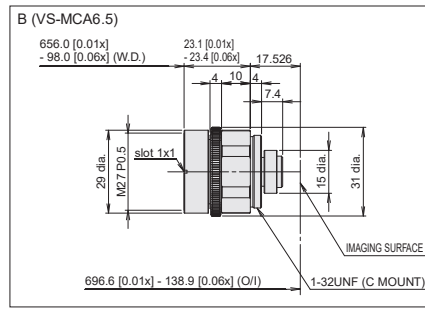
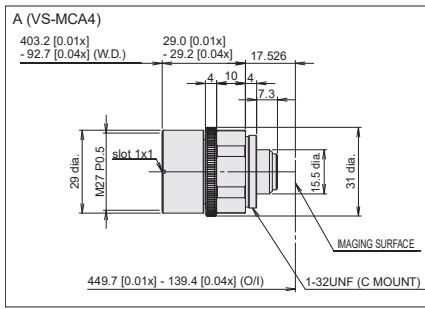
LED Characteristics

Lenses

Vibrations and Shocks Resistant Lens for C-mount Cameras VS-MCA Series

Dimensions

(Unit:mm)



Specifications

Mounting	C mount
Ambient temperature	Operating: -5 to 50°C, Storage: -10 to 60°C (with no icing or condensation)
Ambient humidity	Operating: 35% to 80%, Storage: 35% to 90% (with no condensation)

Optical Chart

Refer to page 95, 96, 97, 99 and 100.

Standard Models
FLV Series

High-brightness Models
FL Series

LED Characteristics

Lenses