

ZCT

For Zero Phase Current Detection

ZCT-35Ø



ZCT-80Ø



ZCT-120Ø



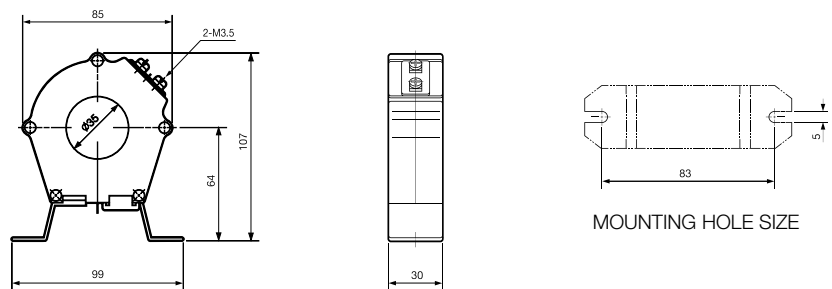
- Applies to Earth Fault Protection Relay with Zero Phase Current Detection Method

Specifications

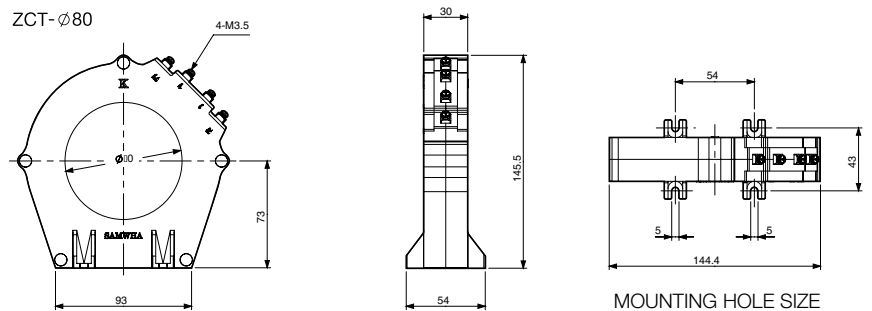
Model Name		Hole Diameter
ZCT	35	35mm
	80	80mm
	120	120mm
Zero Phase Primary Current		200mA
Zero Phase Secondary Current		1.5mA
Error Tolerance		±5%
Burden		10VA
Rated Voltage		AC600V
Insulation Withstanding Voltage		2kV
Insulation Resistance		10MΩ (DC500V Megger)
Attachment		Panel

Dimensions Diagram

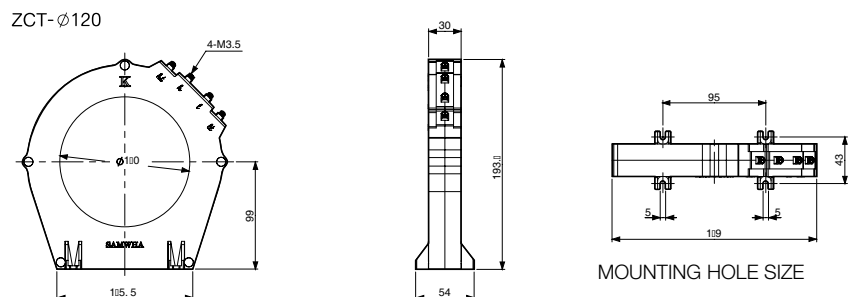
ZCT-Ø35



ZCT-Ø80



ZCT-Ø120



ZCT

For Zero Phase Current Detection

Ordering Specifications

	Reference	Hole Diameter (mm)	Notes
ZCT-	035	35	
	080	80	
	120	120	

How to Order

To order a ZCT:

Z C T - 0 3 5

①

①	Hole Specifications		
		035	35m/m
		080	80m/m
		120	120m/m