

PH130RF

POWERFUL, DURABLE PRESS HANDLING ROBOT

KEY BENEFITS

Shelf mounting provides flexibility for custom layouts

Increased vibration rating for superior life in press tending applications

Long-life speed reducers enable high-frequency handling operations

High moment and inertia ratings for large part handling

SPECIFICATIONS

130 kg payload

3,474 mm horizontal reach

4,151 mm vertical reach

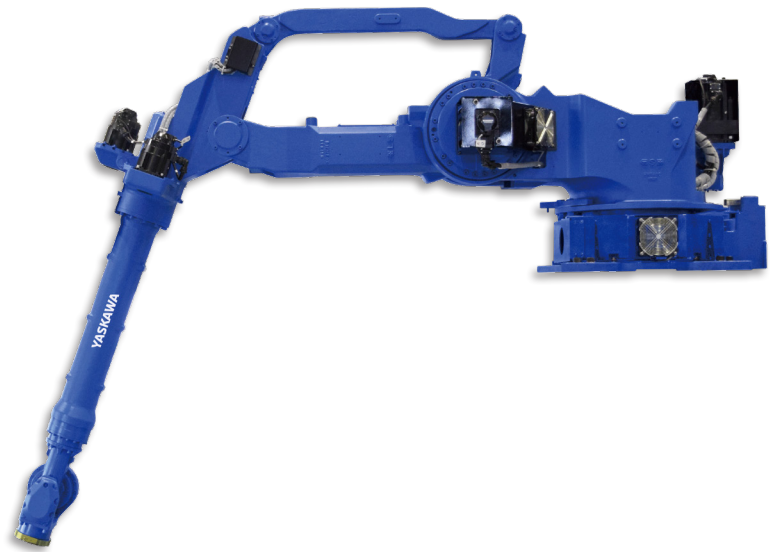
0.3 mm repeatability

APPLICATION

Press Handling

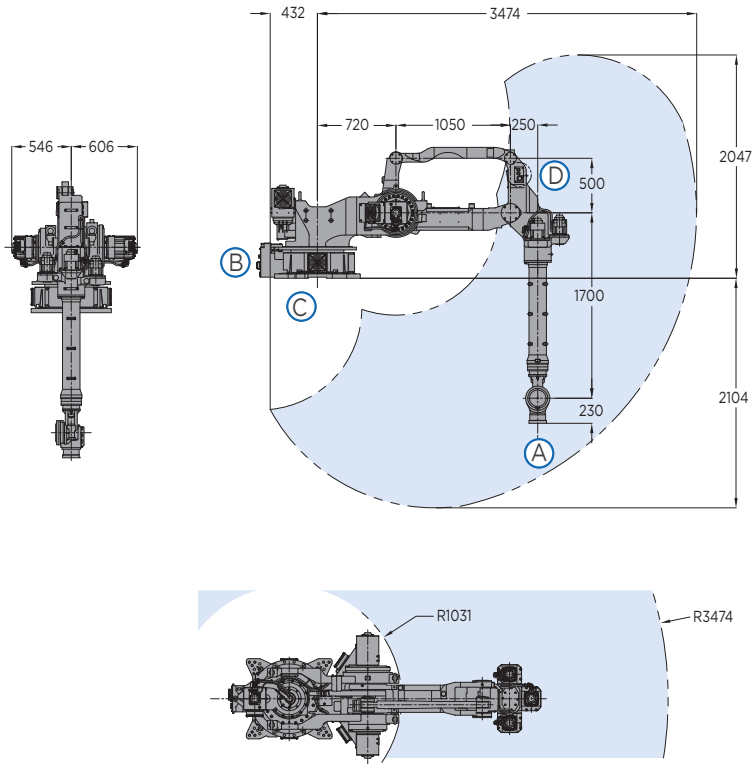
CONTROLLER

YRC1000

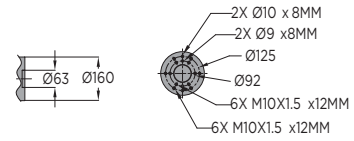


- Increase productivity with the powerful and efficient six-axis PH130RF shelf-mounted robot.
- Specifically designed for press room use, the PH130RF can help to eliminate inconsistencies of a manual process.
- 130 kg payload capacity and high vibration rating provides superior performance and maximum durability.
- Long reach allows the PH130RF to service press pitches up to 7 m; its large work envelope enables the robot to tend multiple presses.
- Exceptionally fast axis speeds and acceleration capabilities reduce cycle time and increase production output.
- High-performance drive systems on the S-, L- and U-axes (Axes 1, 2 and 3) enable high duty cycle and increased durability.
- Shelf-mounting provides floorspace frequently needed for die change out.
- Highly accurate 0.3 repeatability.
- High moment and inertia ratings enable the PH130RF to accommodate large blanks and formed parts
- Streamlined design of the robot allows work in tight spaces.
- Cables and air lines are routed through robot base to upper arm to increase cable life, enhance safety and reduce teaching time.
- Cable installation tube facilitates fieldbus routing through the S-axis.
- Single power and control cable reduces wiring time and increases work efficiency.
- Modular robot harness design for improved diagnostics and maintenance.
- Home position data can be saved without battery connection for easy maintenance.
- The PH130RF has an IP67-rated wrist and an IP30 body standard.
- Compact YRC controller utilizes the lightweight teach pendant with intuitive programming.

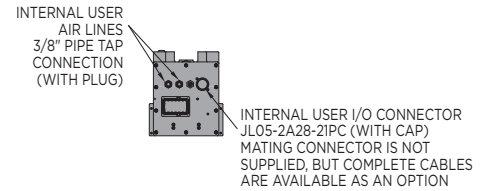
PH130RF ROBOT



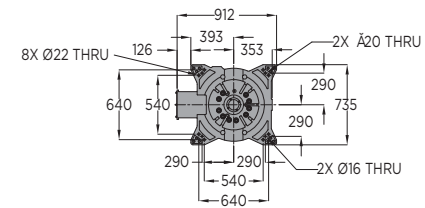
VIEW A



VIEW B



VIEW C



VIEW D



All dimensions are metric (mm) and for reference only. Request detailed drawings for all design/engineering requirements.

SPECIFICATIONS

Axes	Maximum motion range	Maximum speed	Allowable moment	Allowable moment of inertia
	degrees	%/sec	N·m	kg·m ²
S	±180	110	-	-
L	+70/-130	110	-	-
U	+95/-70	110	-	-
R	±360	215	735	45
B	±130	180	735	45
T	±360	300	421	15

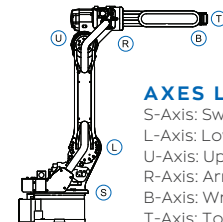
Mounting Options: Shelf

* The MLX300 software option is not available for use with arc or spot welding applications. MLX300 fieldbus cards, I/O cards and vision equipment must be purchased separately from the supplier. All peripherals are programmed using a PLC.

Item	Unit	PH130RF
Controlled axes		6
Maximum payload	kg	130
Repeatability	mm	0.3
Horizontal reach	mm	3,474
Vertical reach	mm	4,151
Weight	kg	1,560
Internal user I/O cable		34 conductors w/ ground
Internal user air line		(2) 3/8" connection
Power requirements		380-480 VAC
Power rating	kVA	7.5

OPTIONS

- Robot risers and base plates
- Extended length manipulator cables
- Wide variety of fieldbus cards
- External axes
- PLC integration via MLX300 software option*
- Functional Safety Unit (FSU)
- MotoSight™ 2D and 3D vision



AXES LEGEND

S-Axis: Swivel Base
L-Axis: Lower Arm
U-Axis: Upper Arm
R-Axis: Arm Roll
B-Axis: Wrist Bend
T-Axis: Tool Flange

YASKAWA

YASKAWA AMERICA, INC. 100 Automation Way | Miamisburg, OH 45342
937.847.6200 | motoman.com

Technical specifications subject to change without notice. | Motoman is a registered trademark. All other marks are the trademarks and registered trademarks of Yaskawa America, Inc. DS-922 ©2021 Yaskawa America, Inc. FEBRUARY 2021

PH200RF

POWERFUL, PRESS HANDLING ROBOT

KEY BENEFITS

Shelf mounting provides flexibility for custom layouts

Increased vibration rating for superior life in press tending applications

Long-life speed reducers enable high-frequency handling operations

High moment and inertia ratings for large part handling

SPECIFICATIONS

200 kg payload

3,505 mm horizontal reach

2,629 mm vertical reach

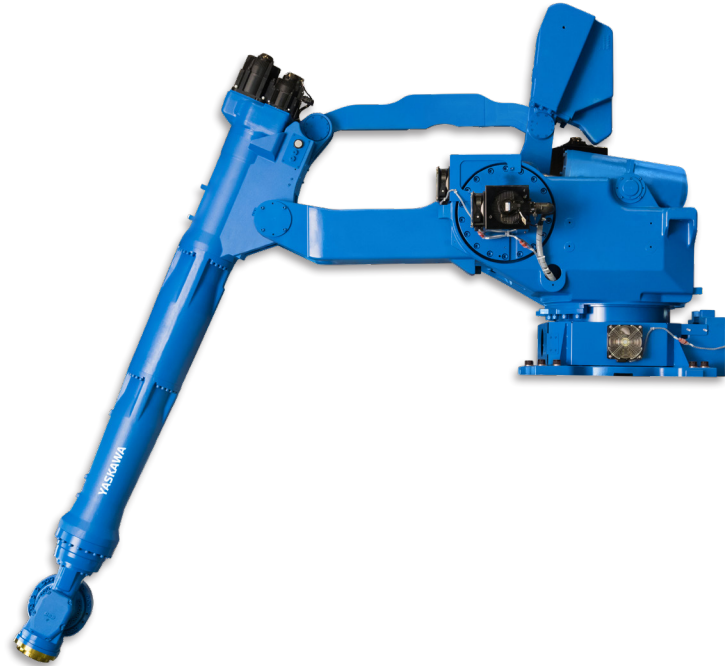
0.5 mm repeatability

APPLICATION

Press Handling

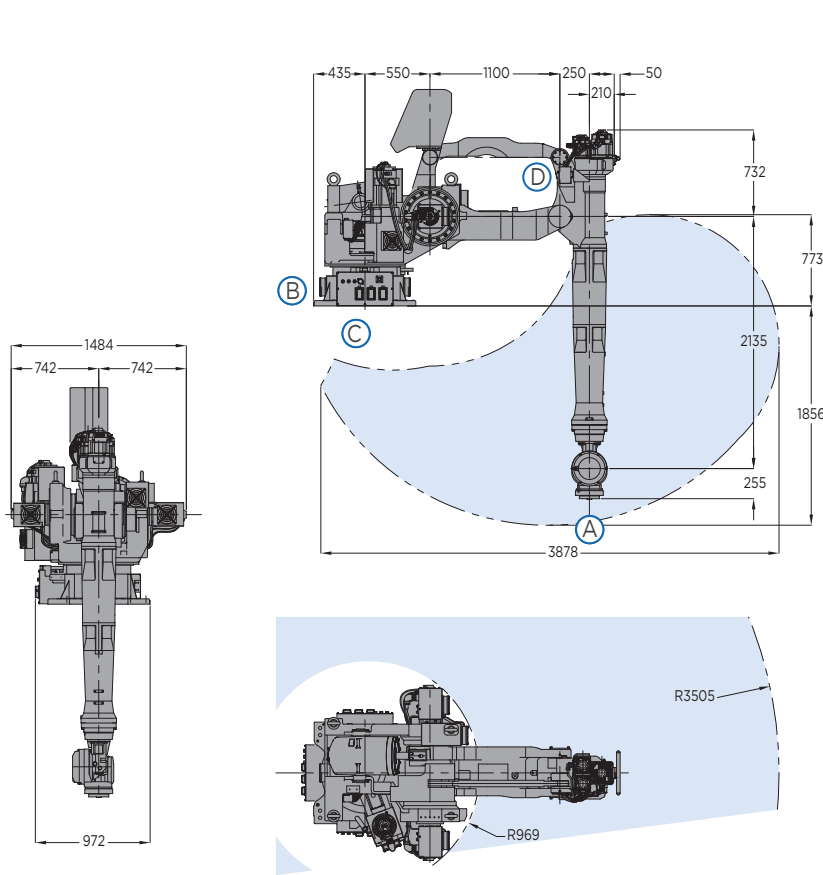
CONTROLLER

YRC1000

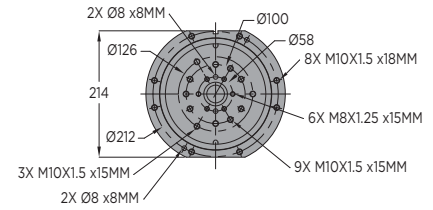


- Increase productivity with the powerful and efficient six-axis PH200RF shelf-mounted robot.
- Specifically designed for the rigors of press room use, the PH200RF can help to eliminate inconsistencies of a manual process.
- 200 kg payload capacity and high vibration rating provides superior performance and maximum durability.
- Long reach allows the PH200RF to service press pitches of 6 to 8.5 m; its large work envelope enables the robot to tend multiple presses.
- Exceptionally fast axis speeds and acceleration capabilities reduce cycle time and increase production output.
- High-performance drive systems on the S-, L- and U-axes (Axes 1, 2 and 3) enable high duty cycle and increased durability.
- Shelf-mounting provides floorspace frequently needed for die change out.
- Highly accurate 0.5 repeatability.
- High moment and inertia ratings enable the PH200RF to accommodate large blanks and formed parts.
- Streamlined design of the robot allows work in tight spaces.
- Cables and air lines are routed through robot base to upper arm to increase cable life, enhance safety and reduce teaching time.
- Cable installation tube facilitates fieldbus routing through the S-axis.
- Single power and control cable reduces wiring time and increases work efficiency.
- Modular robot harness design for improved diagnostics and maintenance.
- Home position data can be saved without battery connection for easy maintenance.
- The PH200RF has an IP67-rated wrist and an IP30 body standard.
- Compact YRC controller utilizes the lightweight teach pendant with intuitive programming.

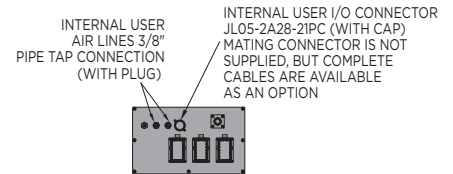
PH200RF ROBOT



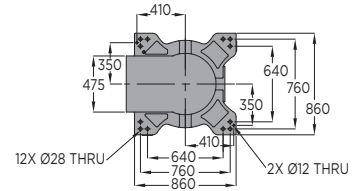
VIEW A



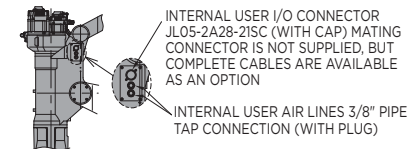
VIEW B



VIEW C



VIEW D



All dimensions are metric (mm) and for reference only. Request detailed drawings for all design/engineering requirements.

SPECIFICATIONS

Axes	Maximum motion range	Maximum speed	Allowable moment	Allowable moment of inertia
	degrees	°/sec	N·m	kg·m ²
S	±150	90	-	-
L	+25/-122	90	-	-
U	+53/-70	90	-	-
R	±360	80	1,274	84.5
B	±120	80	2,156	330
T	±360	160	0	80

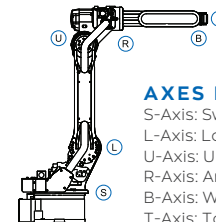
Mounting Options: Shelf

* The MLX300 software option is not available for use with arc or spot welding applications. MLX300 fieldbus cards, I/O cards and vision equipment must be purchased separately from the supplier. All peripherals are programmed using a PLC.

Item	Unit	PH200RF
Controlled axes		6
Maximum payload	kg	200
Repeatability	mm	0.5
Horizontal reach	mm	3,505
Vertical reach	mm	2,629
Weight	kg	2,940
Internal user I/O cable		34 conductors w/ ground
Internal user air line		(2) 3/8" connection
Power requirements		208 VAC
Power rating	kVA	22

OPTIONS

- Robot risers and base plates
- Extended length manipulator cables
- Wide variety of fieldbus cards
- External axes
- PLC integration via MLX300 software option*
- Functional Safety Unit (FSU)
- MotoSight™ 2D and 3D vision



AXES LEGEND

S-Axis: Swivel Base
L-Axis: Lower Arm
U-Axis: Upper Arm
R-Axis: Arm Roll
B-Axis: Wrist Bend
T-Axis: Tool Flange

YASKAWA

YASKAWA AMERICA, INC. 100 Automation Way | Miamisburg, OH 45342
937.847.6200 | motoman.com

Technical specifications subject to change without notice. | Motoman is a registered trademark. All other marks are the trademarks and registered trademarks of Yaskawa America, Inc. DS-923-A ©2021 Yaskawa America, Inc. NOVEMBER 2021