

Catalog

**SIEMENS**

09.06.2023 10:57:37 AM

Standard devices 2nd Generation

Overview

Basic Panels 2nd Generation

With their fully developed HMI basic functions, SIMATIC HMI Basic Panels 2nd Generation are the ideal entry-level series for simple HMI applications.

The device family offers panels with 4", 7", 9" and 12" displays, as well as combined key and touch operation.

The innovative high-resolution widescreen displays with 64 000 colors are also suitable for upright installation, and they can be dimmed down to 100%. The innovative operator interface with improved usability opens up a diverse range of options thanks to new controls and graphics. The new USB interface enables the connection of keyboard, mouse or barcode scanner, and supports the simple archiving of data on a USB flash drive as well as the manual backup and restoring of the complete panel.

The integrated Ethernet or RS 485/422 interface (version-specific) enables simple connection to the controller.

<http://www.siemens.com/basic-panels>

Benefits

- Integral component of Totally Integrated Automation (TIA):
 - Enhanced productivity, minimization of engineering costs, reduction of lifecycle costs
 - Can also be deployed in an upright position where installation space is restricted
 - Short configuring and commissioning times
 - Service-friendly thanks to maintenance-free design
- Simple and user-friendly representation of process values thanks to, for example, input/output fields, vector graphics, trend curves, bar charts, text and bitmaps
- Flexible connection of USB stick, keyboard, mouse or barcode scanner using USB port
- Graphics library available with off-the-shelf picture objects
- Can be used worldwide:
 - 32 languages can be configured (incl. Asian and Cyrillic character sets)
 - You can switch between up to 10 languages online
 - Language-dependent texts and graphics

Application

The SIMATIC HMI Basic Panels can be used wherever compact machines and plants are controlled and monitored locally, such as in production, process and building automation. They may be used in all kinds of industries and applications.

Design

The SIMATIC HMI Basic Panels are installation-compatible with the existing touch devices of the product family of Panels and Multi Panels.

KTP400 Basic

- Dimmable 4.3" widescreen TFT display with 64 000 colors
- 1 Ethernet interface (TCP/IP, PROFINET)
- 1 USB interface
- Touch screen and 4 tactile function keys

TP400 Basic Keyless

- Dimmable 4.3" widescreen TFT display with 64 000 colors
- 1 Ethernet interface (TCP/IP, PROFINET)
- 1 USB interface
- Touch screen with neutral front and without function keys

KTP700 Basic

- Dimmable 7" widescreen TFT display with 64 000 colors
- 1 Ethernet interface (TCP/IP, PROFINET) or 1 RS 485/422 interface (MPI, PROFIBUS DP; separate version)
- 1 USB interface
- Touch screen and 8 tactile function keys

TP700 Basic Keyless

- Dimmable 7" widescreen TFT display with 64 000 colors
- 1 Ethernet interface (TCP/IP, PROFINET) or 1 RS 485/422 interface (MPI, PROFIBUS DP; separate version)
- 1 USB interface
- Touch screen with neutral front and without function keys

KTP900 Basic

- Dimmable 9" widescreen TFT display with 64 000 colors
- 1 Ethernet interface (TCP/IP, PROFINET)
- 1 USB interface
- Touch screen and 8 tactile function keys

TP900 Basic Keyless

- Dimmable 9" widescreen TFT display with 64 000 colors
- 1 Ethernet interface (TCP/IP, PROFINET)
- 1 USB interface
- Touch screen with neutral front and without function keys

KTP1200 Basic

- Dimmable 12" widescreen TFT display with 64 000 colors
- 1 Ethernet interface (TCP/IP, PROFINET) or 1 RS 485/422 interface (MPI, PROFIBUS DP; separate version)
- 1 USB interface
- Touch screen and 10 tactile function keys

Function

- Input/output fields
for displaying and modifying process parameters
- Buttons
are used for direct triggering of functions and actions. Up to 16 functions can be configured simultaneously on buttons.
- Graphics
can be used as icons instead of text to "label" function keys or buttons. They can also be used as full-screen background images.
The configuration tool contains a library with extensive graphics and diverse objects. All editors with an OLE interface (such as PaintShop, Designer or CorelDraw) can be used as graphics editors

- Vector graphics
Simple geometric basic forms (line, circle and rectangle) can be created direct in the configuring tool
- Predefined
for labeling function keys, process pictures and process values in different font sizes
- Curve functions and bars
are used for graphical display of dynamic values
- Language selection:
 - 10 online languages, 32 configuration languages incl. Asian and Cyrillic character sets
 - Language-dependent texts and graphics
- User administration (security) in accordance with the requirements of the different industries
 - Authentication with user ID and password
 - User-group-specific rights
- Alarm logging
 - Discrete messages
 - Analog messages
 - Freely-definable message classes (e.g. status/fault messages) for definition of acknowledgment response and display of message events
 - Message history
- Recipe management
- Help texts
for process screens, messages and variables
- Browser control
for easy access to the Web server of the S7 and LOGO!
- Arithmetic functions
- Limit value monitoring
for reliable process control of inputs and outputs
- Indicator light
for indicating machine and plant statuses
- Scheduler for global function execution in case of global events
- Archiving of process values and alarms on USB stick in .txt format
- USB port for simple connection of USB stick, keyboard, mouse or barcode scanner
- Template concept for creation of screen templates (screen elements configured in the template appear in every screen)
- Simple maintenance and configuration thanks to:
 - Backup/restore of configuring, operating system and firmware on/from a USB stick or PC using ProSave for fast commissioning and for simple replacement of devices
 - Configuration download via MPI/PROFIBUS DP or PROFINET
 - Automatic transfer identification
 - Individual brightness adjustment and calibration
 - Clean screen
 - Real time clock with battery backup (backup time typically 6 weeks)
 - No battery required

Configuration

The configuration is implemented using the engineering software SIMATIC WinCC Basic, Comfort, Professional or SIMATIC STEP 7 Basic/Professional (with integrated WinCC Basic).

Integration

The Basic Panels can be connected to:

- SIMATIC S7 controllers
- Non-Siemens controllers (applies for DP devices)
 - Allen Bradley DF1
 - Modicon Modbus RTU
 - Mitsubishi FX
 - Omron Hostlink/Multilink
- Non-Siemens controllers (non-Siemens drivers for PN devices)
 - Allen Bradley Ethernet/IP
 - Modicon Modbus TCP/IP
 - Mitsubishi MC TCP/IP

Note:

For further information, see "System interfaces".

Technical specifications

Article number	6AV2123-2DB03-0AX0	6AV2143-6DB00-0AA0	6AV2123-2GB03-0AX0	6AV2123-2GA03-0AX0	6AV2143-6GB00-0AA0
	SIMATIC HMI KTP400 Basic	SIMATIC HMI TP400 Basic OEM	SIMATIC HMI KTP700 Basic	SIMATIC HMI KTP700 Basic DP	SIMATIC HMI TP700 Basic OEM
General information					
Product type designation	KTP400 Basic	TP400 Basic Keyless	KTP700 Basic color PN	KTP700 Basic color DP	TP700 Basic Keyless
Display					
Design of display	TFT widescreen display, LED backlighting	TFT widescreen display, LED backlighting	TFT widescreen display, LED backlighting	TFT widescreen display, LED backlighting	TFT widescreen display, LED backlighting
Screen diagonal	4.3 in	4.3 in	7 in	7 in	7 in
Display width	95 mm	95 mm	154.1 mm	154.1 mm	154.1 mm
Display height	53.9 mm	53.9 mm	85.9 mm	85.9 mm	85.9 mm
Number of colors	65 536	65 536	65 536	65 536	65 536
Resolution (pixels)					
• Horizontal image resolution	480 pixel	480 pixel	800 pixel	800 pixel	800 pixel
• Vertical image resolution	272 pixel	272 pixel	480 pixel	480 pixel	480 pixel
Backlighting					
• MTBF backlighting (at 25 °C)	20 000 h	20 000 h	20 000 h	20 000 h	20 000 h
• Backlight dimmable	Yes	Yes	Yes	Yes	Yes
Control elements					
Keyboard fonts					
• Function keys		No			No
— Number of function keys	4	0	8	8	0
— Number of function keys with LEDs	0	0	0	0	0

• Keys with LED	No	No	No	No	No
• System keys	No	No	No	No	No
Article number	6AV2123-2DB03-0AX0	6AV2143-6DB00-0AA0	6AV2123-2GB03-0AX0	6AV2123-2GA03-0AX0	6AV2143-6GB00-0AA0
	SIMATIC HMI KTP400 Basic	SIMATIC HMI TP400 Basic OEM	SIMATIC HMI KTP700 Basic	SIMATIC HMI KTP700 Basic DP	SIMATIC HMI TP700 Basic OEM
• Numeric keyboard	Yes; Onscreen keyboard	Yes; Onscreen keyboard	Yes; Onscreen keyboard	Yes; Onscreen keyboard	Yes; Onscreen keyboard
• alphanumeric keyboard	Yes; Onscreen keyboard	Yes; Onscreen keyboard	Yes; Onscreen keyboard	Yes; Onscreen keyboard	Yes; Onscreen keyboard
Touch operation					
• Design as touch screen	Yes; Analog-resistive	Yes; Analog-resistive	Yes; Analog-resistive	Yes; Analog-resistive	Yes; Analog-resistive
• Design as multi-touch screen		No			
• Monitor keyboard		Yes			
Installation type/mounting					
Mounting position	vertical		vertical	vertical	Horizontal, vertical
Wall mounting/direct mounting	No	No	No		
Mounting in portrait format possible	Yes	Yes	Yes	Yes	Yes
Mounting in landscape format possible	Yes	Yes	Yes	Yes	Yes
maximum permissible angle of inclination without external ventilation	35°	35°	35°	35°	35°
Supply voltage					
Type of supply voltage	DC	DC	DC	DC	DC
Rated value (DC)	24 V	24 V	24 V	24 V	24 V
permissible range, lower limit (DC)	19.2 V	19.2 V	19.2 V	19.2 V	19.2 V
permissible range, upper limit (DC)	28.8 V	28.8 V	28.8 V	28.8 V	28.8 V
Input current					
Current consumption (rated value)	125 mA	125 mA	230 mA	230 mA	230 mA
Starting current inrush I ² t	0.2 A ² ·s	0.2 A ² ·s	0.2 A ² ·s	0.2 A ² ·s	0.2 A ² ·s
Power					
Active power input, typ.	3 W		5.5 W	5.5 W	5.5 W
Processor					
Processor type	ARM	ARM	ARM	ARM	ARM
Memory					
Flash	Yes	Yes	Yes	Yes	Yes
RAM	Yes	Yes	Yes	Yes	Yes
Memory available for user data	10 Mbyte	10 Mbyte	10 Mbyte	10 Mbyte	10 Mbyte
Type of output					
Acoustics					
• Buzzer	Yes	Yes	Yes	Yes	Yes
• Speaker	No	No	No	No	No
Time of day					
Clock					
• Hardware clock (real-time)	Yes	Yes	Yes	Yes	Yes
• Software clock	Yes	Yes	Yes	Yes	Yes
• retentive	Yes; Back-up duration typically 6 weeks	Yes	Yes; Back-up duration typically 6 weeks	Yes; Back-up duration typically 6 weeks	Yes; Back-up duration typically 6 weeks

• synchronizable	Yes	Yes	Yes	Yes	Yes
Article number	6AV2123-2DB03-0AX0	6AV2143-6DB00-0AA0	6AV2123-2GB03-0AX0	6AV2123-2GA03-0AX0	6AV2143-6GB00-0AA0
	SIMATIC HMI KTP400 Basic	SIMATIC HMI TP400 Basic OEM	SIMATIC HMI KTP700 Basic	SIMATIC HMI KTP700 Basic DP	SIMATIC HMI TP700 Basic OEM
Interfaces					
Number of industrial Ethernet interfaces	1	1	1	0	1
Number of RS 485 interfaces	0	0	0	1	0
Number of RS 422 interfaces	0	0	0	1; together with RS 485	0
Number of RS 232 interfaces	0	0	0	0; with optional adapter	0
Number of USB interfaces	1; Up to 16 GB	1	1; Up to 16 GB	1; Up to 16 GB	1; Up to 16 GB
Number of 20 mA interfaces (TTY)	0	0	0	0	0
Number of parallel interfaces	0	0	0	0	0
Number of other interfaces	0	0	0	0	0
Number of SD card slots	0	0	0	0	0
With software interfaces	No	No	No	No	No
Industrial Ethernet					
• Industrial Ethernet status LED	2	2	2	0	2
Protocols					
PROFINET	Yes	Yes	Yes	No	Yes
Supports protocol for PROFINET IO	No	No	No	No	No
IRT	No	No	No	No	No
PROFIBUS	No	No	No	Yes	No
EtherNet/IP	Yes	Yes	Yes	No	Yes
MPI	No	No	No	Yes	No
Protocols (Ethernet)					
• TCP/IP	Yes	Yes	Yes	No	Yes
• DHCP	Yes	Yes	Yes	No	Yes
• SNMP	Yes	Yes	Yes	No	Yes
• DCP	Yes	Yes	Yes	No	Yes
• LLDP	Yes	Yes	Yes	No	Yes
WEB characteristics					
• HTTP	No	No	No	No	No
• HTML	No	No	No	No	No
Redundancy mode					
Media redundancy					
— MRP	No		No	No	No
Further protocols					
• CAN	No	No	No	No	No
• MODBUS	Yes; Modicon (MODBUS TCP/IP)	Yes; Modicon (MODBUS TCP/IP)	Yes; Modicon (MODBUS TCP/IP)	Yes; Modicon (MODBUS RTU)	Yes; Modicon (MODBUS TCP/IP)
Interrupts/diagnostics/status information					
Diagnoses					
• Diagnostic information readable	No	No	No	No	No
EMC					
Emission of radio					

Limitation of radio
interference acc. to EN 55
011

Article number	6AV2123-2DB03-0AX0	6AV2143-6DB00-0AA0	6AV2123-2GB03-0AX0	6AV2123-2GA03-0AX0	6AV2143-6GB00-0AA0
	SIMATIC HMI KTP400 Basic	SIMATIC HMI TP400 Basic OEM	SIMATIC HMI KTP700 Basic	SIMATIC HMI KTP700 Basic DP	SIMATIC HMI TP700 Basic OEM
• Limit class A, for use in industrial areas	Yes	Yes	Yes	Yes	Yes
• Limit class B, for use in residential areas	No	No	No	No	No
Degree and class of protection					
IP (at the front)	IP65	IP65	IP65	IP65	IP65
IP (rear)	IP20	IP20	IP20	IP20	IP20
NEMA (front)					
• Enclosure Type 4 at the front	Yes	Yes	Yes	Yes	Yes
• Enclosure Type 4x at the front	Yes	Yes	Yes	Yes	Yes
Standards, approvals, certificates					
CE mark	Yes	Yes	Yes	Yes	Yes
cULus	Yes	Yes	Yes	Yes	Yes
RCM (formerly C-TICK)	Yes	Yes	Yes	Yes	Yes
KC approval	Yes		Yes	Yes	Yes
EAC (formerly Gost-R)		Yes			
Use in hazardous areas					
• ATEX Zone 2	No	No	No	No	No
• ATEX Zone 22	No	No	No	No	No
• IECEx Zone 2	No		No	No	No
• IECEx Zone 22	No		No	No	No
• cULus Class I Zone 1	No	No	No	No	No
• cULus Class I Zone 2, Division 2	No	No	No	No	No
• FM Class I Division 2	No	No	No	No	No
Marine approval					
• Germanischer Lloyd (GL)	Yes		Yes	Yes	Yes
• American Bureau of Shipping (ABS)	Yes		Yes	Yes	Yes
• Bureau Veritas (BV)	Yes		Yes	Yes	Yes
• Det Norske Veritas (DNV)	Yes		Yes	Yes	Yes
• Lloyds Register of Shipping (LRS)	Yes		Yes	Yes	Yes
• Nippon Kaiji Kyokai (Class NK)	Yes		Yes	Yes	Yes
• Polski Rejestr Statkow (PRS)	No		No	No	No
• Chinese Classification	No		No	No	

Society (CCS)					
Ambient conditions					
Article number	6AV2123-2DB03-0AX0	6AV2143-6DB00-0AA0	6AV2123-2GB03-0AX0	6AV2123-2GA03-0AX0	6AV2143-6GB00-0AA0
	SIMATIC HMI KTP400 Basic	SIMATIC HMI TP400 Basic OEM	SIMATIC HMI KTP700 Basic	SIMATIC HMI KTP700 Basic DP	SIMATIC HMI TP700 Basic OEM
Suited for indoor use	Yes			Yes	
Suited for outdoor use	No			No	
Ambient temperature during operation					
Operation (vertical installation)					
— For vertical installation, min.	0 °C	0 °C	0 °C	0 °C	0 °C
— For vertical installation, max.	50 °C	50 °C	50 °C	50 °C	50 °C
Operation (max. tilt angle)					
— At maximum tilt angle, min.	0 °C	0 °C	0 °C	0 °C	0 °C
— At maximum tilt angle, max.	40 °C	40 °C	40 °C	40 °C	40 °C
Operation (vertical installation, portrait format)					
— For vertical installation, min.	0 °C	0 °C	0 °C	0 °C	0 °C
— For vertical installation, max.	40 °C	40 °C	40 °C	40 °C	40 °C
Operation (max. tilt angle, portrait format)					
— At maximum tilt angle, min.	0 °C	0 °C	0 °C	0 °C	0 °C
— At maximum tilt angle, max.	35 °C	35 °C	35 °C	35 °C	35 °C
Ambient temperature during storage/transportation					
• min.	-20 °C	-20 °C	-20 °C	-20 °C	-20 °C
• max.	60 °C	60 °C	60 °C	60 °C	60 °C
Relative humidity					
• Operation, max.	90 %; no condensation	90 %	90 %; no condensation	90 %; no condensation	90 %; no condensation
Operating systems					
proprietary	Yes	Yes	Yes	Yes	Yes
pre-installed operating system					
• Windows CE	No	No	No	No	No
configuration / header					
Message indicator	Yes	Yes	Yes	Yes	Yes
Alarm system (incl. buffer and acknowledgment)	Yes	Yes	Yes	Yes	Yes
Process value display (output)	Yes	Yes	Yes	Yes	Yes
Process value default (input) possible	Yes	Yes	Yes	Yes	Yes
Recipe management	Yes	Yes	Yes	Yes	Yes
Configuration software					

• STEP 7 Basic (TIA Portal)	Yes; via integrated WinCC Basic (TIA Portal)	Yes; via integrated WinCC Basic (TIA Portal)	Yes; via integrated WinCC Basic (TIA Portal)	Yes; via integrated WinCC Basic (TIA Portal)	Yes; via integrated WinCC Basic (TIA Portal)
Article number	6AV2123-2DB03-0AX0	6AV2143-6DB00-0AA0	6AV2123-2GB03-0AX0	6AV2123-2GA03-0AX0	6AV2143-6GB00-0AA0
	SIMATIC HMI KTP400 Basic	SIMATIC HMI TP400 Basic OEM	SIMATIC HMI KTP700 Basic	SIMATIC HMI KTP700 Basic DP	SIMATIC HMI TP700 Basic OEM
• STEP 7 Professional (TIA Portal)	Yes; via integrated WinCC Basic (TIA Portal)	Yes; via integrated WinCC Basic (TIA Portal)	Yes; via integrated WinCC Basic (TIA Portal)	Yes; via integrated WinCC Basic (TIA Portal)	Yes; via integrated WinCC Basic (TIA Portal)
• WinCC flexible Compact	No	No	No	No	No
• WinCC flexible Standard	No	No	No	No	No
• WinCC flexible Advanced	No	No	No	No	No
• WinCC Basic (TIA Portal)	Yes	Yes	Yes	Yes	Yes
• WinCC Comfort (TIA Portal)	Yes	Yes	Yes	Yes	Yes
• WinCC Advanced (TIA Portal)	Yes	Yes	Yes	Yes	Yes
• WinCC Professional (TIA Portal)	Yes	Yes	Yes	Yes	Yes
Languages					
Online languages					
• Number of online/runtime languages	10	10	10	10	10
Project languages					
• Languages per project	32	32	32	32	32
Functionality under WinCC (TIA Portal)					
Libraries	Yes	Yes	Yes	Yes	Yes
Applications/options					
• Web browser	Yes		Yes	No	Yes
• SIMATIC WinCC Sm@rtServer	Yes; Available with WinCC (TIA Portal) V14 or higher		Yes; Available with WinCC (TIA Portal) V14 or higher	No	
Number of Visual Basic Scripts	No	No	No	No	No
Task planner	Yes	Yes	Yes	Yes	Yes
• time-controlled	No	No	No	No	No
• task-controlled	Yes	Yes	Yes	Yes	Yes
Help system	Yes	Yes	Yes	Yes	Yes
• Number of characters per info text	500	500	500	500	500
Message system					
• Number of alarm classes	32	32	32	32	32
• Bit messages					
— Number of bit messages	1 000	1 000	1 000	1 000	1 000
• Analog messages					
— Number of analog	25	25	25	25	25

messages

Article number	6AV2123-2DB03-0AX0 SIMATIC HMI KTP400 Basic	6AV2143-6DB00-0AA0 SIMATIC HMI TP400 Basic OEM	6AV2123-2GB03-0AX0 SIMATIC HMI KTP700 Basic	6AV2123-2GA03-0AX0 SIMATIC HMI KTP700 Basic DP	6AV2143-6GB00-0AA0 SIMATIC HMI TP700 Basic OEM
● S7 alarm number procedure	No	No	No	No	No
● System messages HMI	Yes	Yes	Yes	Yes	Yes
● System event, more (SIMATIC S7, SINUMERIK, SIMOTION, ...)	Yes; System message buffer of the SIMATIC S7-1200 and S7-1500	Yes; System message buffer of the SIMATIC S7-1200 and S7-1500	Yes; System message buffer of the SIMATIC S7-1200 and S7-1500	Yes; System message buffer of the SIMATIC S7-1200 and S7-1500	Yes; System message buffer of the SIMATIC S7-1200 and S7-1500
● Number of characters per message	80	80	80	80	80
● Number of process values per message	8	8	8	8	8
● Acknowledgment groups	Yes	Yes	Yes	Yes	Yes
● Message indicator	Yes	Yes	Yes	Yes	Yes
● Message buffer					
— Number of entries	256	256	256	256	256
— Circulating buffer	Yes	Yes	Yes	Yes	Yes
— retentive	Yes	Yes	Yes	Yes	Yes
— maintenance-free	Yes	Yes	Yes	Yes	Yes
Recipe management					
● Number of recipes	50	50	50	50	50
● Data records per recipe	100	100	100	100	100
● Entries per data record	100	100	100	100	100
● Size of internal recipe memory	256 kbyte	256 kbyte	256 kbyte	256 kbyte	256 kbyte
● Recipe memory expandable	No	No	No	No	No
Variables					
● Number of variables per device	800	800	800	800	800
● Number of variables per screen	100	100	100	100	100
● Limit values	Yes	Yes	Yes	Yes	Yes
● Multiplexing	Yes	Yes	Yes	Yes	Yes
● Structures	No	No	No	No	No
● Arrays	Yes	Yes	Yes	Yes	Yes
Images					
● Number of configurable images	250	100	250	250	250
● Permanent window/default	Yes	Yes	Yes	Yes	Yes
● Global image	Yes	Yes	Yes	Yes	Yes

Article number	6AV2123-2DB03-0AX0	6AV2143-6DB00-0AA0	6AV2123-2GB03-0AX0	6AV2123-2GA03-0AX0	6AV2143-6GB00-0AA0
	SIMATIC HMI KTP400 Basic	SIMATIC HMI TP400 Basic OEM	SIMATIC HMI KTP700 Basic	SIMATIC HMI KTP700 Basic DP	SIMATIC HMI TP700 Basic OEM
• Pop-up images	No	No	No	No	No
• Slide-in images	No	No	No	No	No
• Image selection by PLC	Yes	Yes	Yes	Yes	Yes
• Image number in the PLC	Yes	Yes	Yes	Yes	Yes
Image objects					
• Number of objects per image	100	100	100	100	100
• Text fields	Yes	Yes	Yes	Yes	Yes
• I/O fields	Yes	Yes	Yes	Yes	Yes
• Graphic I/O fields (graphics list)	Yes	Yes	Yes	Yes	Yes
• Symbolic I/O fields (text list)	Yes	Yes	Yes	Yes	Yes
• Date/time fields	Yes	Yes	Yes	Yes	Yes
• Switches	Yes	Yes	Yes	Yes	Yes
• Buttons	Yes	Yes	Yes	Yes	Yes
• Graphic display	Yes	Yes	Yes	Yes	Yes
• Icons	Yes	Yes	Yes	Yes	Yes
• Geometric objects	Yes	Yes	Yes	Yes	Yes
Complex image objects					
• Number of complex objects per screen	10	10	10	10	10
• Alarm view	Yes	Yes	Yes	Yes	Yes
• Trend view	Yes	Yes	Yes	Yes	Yes
• User view	Yes	Yes	Yes	Yes	Yes
• Status/control	No	No	No	No	No
• Sm@rtClient view	No	No	No	No	No
• Recipe view	Yes	Yes	Yes	Yes	Yes
• f(x) trend view	No	No	No	No	No
• System diagnostics view	Yes; System message buffer of the SIMATIC S7-1200 and S7-1500	Yes	Yes; System message buffer of the SIMATIC S7-1200 and S7-1500	Yes; System message buffer of the SIMATIC S7-1200 and S7-1500	Yes; System message buffer of the SIMATIC S7-1200 and S7-1500
• Media Player	No	No	No	No	No
• HTML browser	Yes		Yes	No	Yes
• PDF display	No	No	No	No	No
• IP camera display	No	No	No	No	No
• Bar graphs	Yes	Yes	Yes	Yes	Yes
• Sliders	No	No	No	No	No
• Pointer instruments	No	No	No	No	No
• Analog/digital clock	No	No	No	No	No

Lists

Article number	6AV2123-2DB03-0AX0 SIMATIC HMI KTP400 Basic	6AV2143-6DB00-0AA0 SIMATIC HMI TP400 Basic OEM	6AV2123-2GB03-0AX0 SIMATIC HMI KTP700 Basic	6AV2123-2GA03-0AX0 SIMATIC HMI KTP700 Basic DP	6AV2143-6GB00-0AA0 SIMATIC HMI TP700 Basic OEM
• Number of text lists per project	300		300	300	300
• Number of entries per text list	100		100	100	100
• Number of graphics lists per project	100		100	100	100
• Number of entries per graphics list	100		100	100	100
Archiving					
• Number of archives per device	2; One message and one process value archive	2	2; One message and one process value archive	2; One message and one process value archive	2
• Number of entries per archive	10 000	10 000	10 000	10 000	10 000
• Message archive	Yes	Yes	Yes	Yes	Yes
• Process value archive	Yes	Yes	Yes	Yes	Yes
• Archiving methods					
— Sequential archive	Yes	Yes	Yes	Yes	Yes
— Short-term archive	Yes	Yes	Yes	Yes	Yes
• Memory location					
— Memory card	No	No	No	No	No
— USB memory	Yes	Yes	Yes	Yes	Yes
— Ethernet	No	No	No	No	No
• Data storage format					
— CSV	No	Yes	No	No	No
— TXT	Yes	No	Yes	Yes	Yes
— RDB	No	No	No	No	No
Security					
• Number of user groups	50	50	50	50	50
• Number of user rights	32		32	32	32
• Number of users	50		50	50	50
• Password export/import	Yes	Yes; Possible via ProSave	Yes	Yes	Yes
• SIMATIC Logon	No	No	No	No	No
Character sets					
• Keyboard fonts					
— US English	Yes	Yes	Yes	Yes	Yes
Transfer (upload/download)					
• MPI/PROFIBUS DP	No	No	No	Yes	No
• USB	No	No	No	No	No
• Ethernet	Yes	Yes	Yes	No	Yes
• using external storage	Yes	Yes; Backup/restore	Yes	Yes	No

medium	Backup/restore				
Process coupling					
Article number	6AV2123-2DB03-0AX0	6AV2143-6DB00-0AA0	6AV2123-2GB03-0AX0	6AV2123-2GA03-0AX0	6AV2143-6GB00-0AA0
	SIMATIC HMI KTP400 Basic	SIMATIC HMI TP400 Basic OEM	SIMATIC HMI KTP700 Basic	SIMATIC HMI KTP700 Basic DP	SIMATIC HMI TP700 Basic OEM
• S7-1200	Yes	Yes	Yes	Yes	Yes
• S7-1500	Yes	Yes	Yes	Yes	Yes
• S7-200	Yes	Yes	Yes	Yes	Yes
• S7-300/400	Yes	Yes	Yes	Yes	Yes
• LOGO!	Yes	Yes	Yes	Yes	Yes
• WinAC	Yes	Yes	Yes	Yes	Yes
• SINUMERIK	Yes; No access to NCK data		Yes; No access to NCK data	Yes; No access to NCK data	Yes; No access to NCK data
• SIMOTION	Yes	Yes	Yes	Yes	Yes
• Allen Bradley (EtherNet/IP)	Yes	Yes	Yes	No	Yes
• Allen Bradley (DF1)	No	No	No	Yes	No
• Mitsubishi (MC TCP/IP)	Yes	Yes	Yes	No	Yes
• Mitsubishi (FX)	No	No	No	Yes	No
• OMRON (FINS TCP)	No	No	No	No	No
• OMRON (LINK/MultiLink)	No	No	No	Yes	No
• Modicon (Modbus TCP/IP)	Yes	Yes	Yes	No	Yes
• Modicon (Modbus)	No	No	No	Yes	No
Service tools/configuration aids					
• Backup/Restore manually	Yes	Yes	Yes	Yes	Yes
• Backup/Restore automatically	No	No	No	No	No
• Simulation	Yes	Yes	Yes	Yes	Yes
• Device switchover	Yes	Yes	Yes	Yes	Yes
Peripherals/Options					
Printer	No	No	No	No	No
SIMATIC HMI MM memory card: Multi Media Card	No	No	No	No	No
SIMATIC HMI SD memory card: Secure Digital memory card	No	No	No	No	No
SIMATIC HMI CF memory card Compact Flash Card	No		No	No	No
USB memory	Yes	Yes; USB storage medium can be connected	Yes	Yes	Yes
SIMATIC IPC USB Flashdrive (USB stick)	Yes		Yes	Yes	Yes
SIMATIC HMI USB stick	Yes		Yes	Yes	Yes
Mechanics/material					
Enclosure material (front)					
• Plastic	Yes	Yes	Yes	Yes	Yes
• Aluminum	No	No	No	No	No

• Stainless steel	No	No	No	No	No
Dimensions					
Article number	6AV2123-2DB03-0AX0	6AV2143-6DB00-0AA0	6AV2123-2GB03-0AX0	6AV2123-2GA03-0AX0	6AV2143-6GB00-0AA0
	SIMATIC HMI KTP400 Basic	SIMATIC HMI TP400 Basic OEM	SIMATIC HMI KTP700 Basic	SIMATIC HMI KTP700 Basic DP	SIMATIC HMI TP700 Basic OEM
Width of the housing front	141 mm	141 mm	214 mm	214 mm	214 mm
Height of housing front	116 mm	116 mm	158 mm	158 mm	158 mm
Mounting cutout, width	123 mm	123 mm	197 mm	197 mm	197 mm
Mounting cutout, height	99 mm	99 mm	141 mm	141 mm	141 mm
Overall depth	33 mm	33 mm	39 mm	39 mm	39 mm
Weights					
Weight (without packaging)	360 g		780 g	800 g	780 g
Weight (with packaging)	470 g		990 g	1 kg	990 g

Article number	6AV2123-2JB03-0AX0	6AV2143-6JB00-0AA0	6AV2123-2MB03-0AX0	6AV2123-2MA03-0AX0
	SIMATIC HMI KTP900 Basic	SIMATIC HMI TP900 Basic OEM	SIMATIC HMI KTP1200 Basic	SIMATIC HMI KTP1200 Basic DP

General information

Product type designation	KTP900 Basic color PN	TP900 Basic Keyless	KTP1200 Basic color PN	KTP1200 Basic color DP
--------------------------	-----------------------	---------------------	------------------------	------------------------

Display

Design of display	TFT widescreen display, LED backlighting	TFT widescreen display, LED backlighting	TFT widescreen display, LED backlighting	TFT widescreen display, LED backlighting
Screen diagonal	9 in	9 in	12 in	12 in
Display width	198 mm	198 mm	261.1 mm	261.1 mm
Display height	111.7 mm	111.7 mm	163.2 mm	163.2 mm
Number of colors	65 536	65 536	65 536	65 536

Resolution (pixels)

• Horizontal image resolution	800 pixel	800 pixel	1 280 pixel	1 280 pixel
• Vertical image resolution	480 pixel	480 pixel	800 pixel	800 pixel

Backlighting

• MTBF backlighting (at 25 °C)	20 000 h	20 000 h	20 000 h	20 000 h
• Backlight dimmable	Yes	Yes	Yes	Yes

Control elements**Keyboard fonts**

• Function keys		No		
— Number of function keys	8	0	10	10
— Number of function keys with LEDs	0	0	0	0
• Keys with LED	No	No	No	No
• System keys	No	No	No	No
• Numeric keyboard	Yes; Onscreen keyboard	Yes; Onscreen keyboard	Yes; Onscreen keyboard	Yes; Onscreen keyboard
• alphanumeric keyboard	Yes; Onscreen keyboard	Yes; Onscreen keyboard	Yes; Onscreen keyboard	Yes; Onscreen keyboard

Touch operation

• Design as touch screen	Yes; Analog-resistive	Yes; Analog-resistive	Yes; Analog-resistive	Yes; Analog-resistive
• Design as multi-touch screen		No		
• Monitor keyboard		Yes		

Installation type/mounting

Mounting position	vertical	vertical	vertical	vertical
Article number	6AV2123-2JB03-0AX0	6AV2143-6JB00-0AA0	6AV2123-2MB03-0AX0	6AV2123-2MA03-0AX0
	SIMATIC HMI KTP900 Basic	SIMATIC HMI TP900 Basic OEM	SIMATIC HMI KTP1200 Basic	SIMATIC HMI KTP1200 Basic DP
Mounting in portrait format possible	Yes	Yes	Yes	Yes
Mounting in landscape format possible	Yes	Yes	Yes	Yes
maximum permissible angle of inclination without external ventilation	35°	35°	35°	35°
Supply voltage				
Type of supply voltage	DC	DC	DC	DC
Rated value (DC)	24 V	24 V	24 V	24 V
permissible range, lower limit (DC)	19.2 V	19.2 V	19.2 V	19.2 V
permissible range, upper limit (DC)	28.8 V	28.8 V	28.8 V	28.8 V
Input current				
Current consumption (rated value)	230 mA	230 mA	510 mA	550 mA
Starting current inrush I ² t	0.2 A ² ·s	0.2 A ² ·s	0.2 A ² ·s	0.2 A ² ·s
Power				
Active power input, typ.	5.5 W		12.2 W	13.2 W
Processor				
Processor type	ARM	ARM	ARM	ARM
Memory				
Flash	Yes	Yes	Yes	Yes
RAM	Yes	Yes	Yes	Yes
Memory available for user data	10 Mbyte	10 Mbyte	10 Mbyte	10 Mbyte
Type of output				
Acoustics		Buzzer		
• Buzzer	Yes	Yes	Yes	Yes
• Speaker	No	No	No	No
Time of day				
Clock				
• Hardware clock (real-time)	Yes	Yes	Yes	Yes
• Software clock	Yes	Yes	Yes	Yes
• retentive	Yes; Back-up duration typically 6 weeks	Yes; Back-up duration typically 6 weeks	Yes; Back-up duration typically 6 weeks	Yes; Back-up duration typically 6 weeks
• synchronizable	Yes	Yes	Yes	Yes
Interfaces				
Number of industrial Ethernet interfaces	1	1	1	0
Number of RS 485 interfaces	0	0	0	1
Number of RS 422 interfaces	0	0	0	1; together with RS 485
Number of RS 232 interfaces	0	0	0	0; with optional adapter
Number of USB interfaces	1; Up to 16 GB	1; USB 2.0, up to 16 GB respectively	1; Up to 16 GB	1; Up to 16 GB
Number of 20 mA interfaces (TTY)	0	0	0	0
Number of parallel interfaces	0	0	0	0
Number of other interfaces	0	0	0	0
Number of SD card slots	0	0	0	0
With software interfaces	No	No	No	No

Industrial Ethernet

Article number	6AV2123-2JB03-0AX0	6AV2143-6JB00-0AA0	6AV2123-2MB03-0AX0	6AV2123-2MA03-0AX0
	SIMATIC HMI KTP900 Basic	SIMATIC HMI TP900 Basic OEM	SIMATIC HMI KTP1200 Basic	SIMATIC HMI KTP1200 Basic DP
• Industrial Ethernet status LED	2	2	2	0
• Number of ports of the integrated switch		0		
Protocols				
PROFINET	Yes	Yes	Yes	No
Supports protocol for PROFINET IO	No	No	No	No
IRT	No	No	No	No
PROFIBUS	No	No	No	Yes
EtherNet/IP	Yes	Yes	Yes	No
MPI	No	No	No	Yes
Protocols (Ethernet)				
• TCP/IP	Yes	Yes	Yes	No
• DHCP	Yes	Yes	Yes	No
• SNMP	Yes	Yes	Yes	No
• DCP	Yes	Yes	Yes	No
• LLDP	Yes	Yes	Yes	No
WEB characteristics				
• HTTP	No	No	No	No
• HTML	No	No	No	No
Redundancy mode				
Media redundancy				
— MRP	No	No	No	No
Further protocols				
• CAN	No	No	No	No
• MODBUS	Yes; Modicon (MODBUS TCP/IP)	Yes; Modicon (MODBUS TCP/IP)	Yes; Modicon (MODBUS TCP/IP)	Yes; Modicon (MODBUS RTU)
Interrupts/diagnostics/status information				
Diagnoses				
• Diagnostic information readable	No	No	No	No
EMC				
Emission of radio interference acc. to EN 55 011				
• Limit class A, for use in industrial areas	Yes	Yes	Yes	Yes
• Limit class B, for use in residential areas	No	No	No	No
Degree and class of protection				
IP (at the front)	IP65	IP65	IP65	IP65
IP (rear)	IP20	IP20	IP20	IP20
NEMA (front)				
• Enclosure Type 4 at the front	Yes	Yes	Yes	Yes
• Enclosure Type 4 at the rear	Yes	Yes	Yes	Yes

Article number	6AV2123-2JB03-0AX0	6AV2143-6JB00-0AA0	6AV2123-2MB03-0AX0	6AV2123-2MA03-0AX0
• Enclosure type 4x at the front				
	SIMATIC HMI KTP900 Basic	SIMATIC HMI TP900 Basic OEM	SIMATIC HMI KTP1200 Basic	SIMATIC HMI KTP1200 Basic DP
Standards, approvals, certificates				
CE mark	Yes	Yes	Yes	Yes
cULus	Yes		Yes	Yes
RCM (formerly C-TICK)	Yes		Yes	Yes
KC approval	Yes		Yes	Yes
Use in hazardous areas				
• ATEX Zone 2	No		No	No
• ATEX Zone 22	No		No	No
• IECEx Zone 2	No		No	No
• IECEx Zone 22	No		No	No
• cULus Class I Zone 1	No		No	No
• cULus Class I Zone 2, Division 2	No		No	No
• FM Class I Division 2	No		No	No
Marine approval				
• Germanischer Lloyd (GL)	Yes		Yes	Yes
• American Bureau of Shipping (ABS)	Yes		Yes	Yes
• Bureau Veritas (BV)	Yes		Yes	Yes
• Det Norske Veritas (DNV)	Yes		Yes	Yes
• Lloyds Register of Shipping (LRS)	Yes		Yes	Yes
• Nippon Kaiji Kyokai (Class NK)	Yes		Yes	Yes
• Polski Rejestr Statkow (PRS)	No		No	No
• Chinese Classification Society (CCS)	No		No	No
Ambient conditions				
Suited for indoor use				Yes
Suited for outdoor use				No
Ambient temperature during operation				
Operation (vertical installation)				
— For vertical installation, min.	0 °C	0 °C	0 °C	0 °C
— For vertical installation, max.	50 °C	50 °C	50 °C	50 °C
Operation (max. tilt angle)				
— At maximum tilt angle, min.	0 °C	0 °C	0 °C	0 °C
— At maximum tilt angle, max.	40 °C	40 °C	40 °C	40 °C

Operation (vertical installation, portrait format)

Article number	6AV2123-2JB03-0AX0 SIMATIC HMI KTP900 Basic	6AV2143-6JB00-0AA0 SIMATIC HMI TP900 Basic OEM	6AV2123-2MB03-0AX0 SIMATIC HMI KTP1200 Basic	6AV2123-2MA03-0AX0 SIMATIC HMI KTP1200 Basic DP
— For vertical installation, min.	0 °C	0 °C	0 °C	0 °C
— For vertical installation, max.	40 °C	40 °C	40 °C	40 °C
Operation (max. tilt angle, portrait format)				
— At maximum tilt angle, min.	0 °C	0 °C	0 °C	0 °C
— At maximum tilt angle, max.	35 °C	35 °C	35 °C	35 °C
Ambient temperature during storage/transportation				
• min.	-20 °C	-20 °C	-20 °C	-20 °C
• max.	60 °C	60 °C	60 °C	60 °C
Relative humidity				
• Operation, max.	90 %; no condensation	90 %; no condensation	90 %; no condensation	90 %; no condensation
Operating systems				
proprietary	Yes	Yes	Yes	Yes
pre-installed operating system				
• Windows CE	No	No	No	No
configuration / header				
Message indicator	Yes	Yes	Yes	Yes
Alarm system (incl. buffer and acknowledgment)	Yes	Yes	Yes	Yes
Process value display (output)	Yes	Yes	Yes	Yes
Process value default (input) possible	Yes	Yes	Yes	Yes
Recipe management	Yes	Yes	Yes	Yes
Configuration software				
• STEP 7 Basic (TIA Portal)	Yes; via integrated WinCC Basic (TIA Portal)	Yes; via integrated WinCC Basic (TIA Portal)	Yes; via integrated WinCC Basic (TIA Portal)	Yes; via integrated WinCC Basic (TIA Portal)
• STEP 7 Professional (TIA Portal)	Yes; via integrated WinCC Basic (TIA Portal)	Yes; via integrated WinCC Basic (TIA Portal)	Yes; via integrated WinCC Basic (TIA Portal)	Yes; via integrated WinCC Basic (TIA Portal)
• WinCC flexible Compact	No	No	No	No
• WinCC flexible Standard	No	No	No	No
• WinCC flexible Advanced	No	No	No	No
• WinCC Basic (TIA Portal)	Yes	Yes	Yes	Yes
• WinCC Comfort (TIA Portal)	Yes	Yes	Yes	Yes
• WinCC Advanced (TIA Portal)	Yes	Yes	Yes	Yes
• WinCC Professional (TIA Portal)	Yes	Yes	Yes	Yes
Languages				
Online languages				
• Number of online/runtime	10	10	10	10

languages				
Project languages				
Article number	6AV2123-2JB03-0AX0	6AV2143-6JB00-0AA0	6AV2123-2MB03-0AX0	6AV2123-2MA03-0AX0
	SIMATIC HMI KTP900 Basic	SIMATIC HMI TP900 Basic OEM	SIMATIC HMI KTP1200 Basic	SIMATIC HMI KTP1200 Basic DP
• Languages per project	32	32	32	32
Functionality under WinCC (TIA Portal)				
Libraries	Yes	Yes	Yes	Yes
Applications/options				
• Web browser	Yes	No	Yes	No
• SIMATIC WinCC Sm@rtServer	Yes; Available with WinCC (TIA Portal) V14 or higher	No	Yes; Available with WinCC (TIA Portal) V14 or higher	No
Number of Visual Basic Scripts	No	No	No	No
Task planner	Yes	Yes	Yes	Yes
• time-controlled	No	No	No	No
• task-controlled	Yes	Yes	Yes	Yes
Help system	Yes	Yes	Yes	Yes
• Number of characters per info text	500	500	500	500
Message system				
• Number of alarm classes	32	32	32	32
• Bit messages				
— Number of bit messages	1 000	1 000	1 000	1 000
• Analog messages				
— Number of analog messages	25	25	25	25
• S7 alarm number procedure	No	No	No	No
• System messages HMI	Yes	Yes	Yes	Yes
• System event, more (SIMATIC S7, SINUMERIK, SIMOTION, ...)	Yes; System message buffer of the SIMATIC S7-1200 and S7-1500	Yes; System message buffer of the SIMATIC S7-1200 and S7-1500	Yes; System message buffer of the SIMATIC S7-1200 and S7-1500	Yes; System message buffer of the SIMATIC S7-1200 and S7-1500
• Number of characters per message	80	80	80	80
• Number of process values per message	8	8	8	8
• Acknowledgment groups	Yes	Yes	Yes	Yes
• Message indicator	Yes	Yes	Yes	Yes
• Message buffer				
— Number of entries	256	256	256	256
— Circulating buffer	Yes	Yes	Yes	Yes
— retentive	Yes	Yes	Yes	Yes
— maintenance-free	Yes	Yes	Yes	Yes
Recipe management				
• Number of recipes	50	50	50	50
• Data records per recipe	100	100	100	100
• Entries per data record	100	100	100	100

	256 kbyte	256 kbyte	256 kbyte	256 kbyte
• Size of internal recipe	256 kbyte	256 kbyte	256 kbyte	256 kbyte
Article number	6AV2123-2JB03-0AX0	6AV2143-6JB00-0AA0	6AV2123-2MB03-0AX0	6AV2123-2MA03-0AX0
	SIMATIC HMI KTP900 Basic	SIMATIC HMI TP900 Basic OEM	SIMATIC HMI KTP1200 Basic	SIMATIC HMI KTP1200 Basic DP
memory				
• Recipe memory expandable	No		No	No
Variables				
• Number of variables per device	800	800	800	800
• Number of variables per screen	100	100	100	100
• Limit values	Yes	Yes	Yes	Yes
• Multiplexing	Yes	Yes	Yes	Yes
• Structures	No	No	No	No
• Arrays	Yes	Yes	Yes	Yes
Images				
• Number of configurable images	250	100	250	250
• Permanent window/default	Yes	Yes	Yes	Yes
• Global image	Yes	Yes	Yes	Yes
• Pop-up images	No		No	No
• Slide-in images	No		No	No
• Image selection by PLC	Yes	Yes	Yes	Yes
• Image number in the PLC	Yes	Yes	Yes	Yes
Image objects				
• Number of objects per image	100		100	100
• Text fields	Yes	Yes	Yes	Yes
• I/O fields	Yes	Yes	Yes	Yes
• Graphic I/O fields (graphics list)	Yes	Yes	Yes	Yes
• Symbolic I/O fields (text list)	Yes	Yes	Yes	Yes
• Date/time fields	Yes	Yes	Yes	Yes
• Switches	Yes	Yes	Yes	Yes
• Buttons	Yes	Yes	Yes	Yes
• Graphic display	Yes	Yes	Yes	Yes
• Icons	Yes	Yes	Yes	Yes
• Geometric objects	Yes	Yes	Yes	Yes
Complex image objects				
• Number of complex objects per screen	10		10	10
• Alarm view	Yes	Yes	Yes	Yes
• Trend view	Yes	Yes	Yes	Yes
• User view	Yes	Yes	Yes	Yes

• Status/control	No	No	No	No
• Sm@rtClient view	No	No	No	No
Article number	6AV2123-2JB03-0AX0	6AV2143-6JB00-0AA0	6AV2123-2MB03-0AX0	6AV2123-2MA03-0AX0
	SIMATIC HMI KTP900 Basic	SIMATIC HMI TP900 Basic OEM	SIMATIC HMI KTP1200 Basic	SIMATIC HMI KTP1200 Basic DP
• Recipe view	Yes	Yes	Yes	Yes
• f(x) trend view	No	No	No	No
• System diagnostics view	Yes; System message buffer of the SIMATIC S7-1200 and S7-1500	Yes	Yes; System message buffer of the SIMATIC S7-1200 and S7-1500	Yes; System message buffer of the SIMATIC S7-1200 and S7-1500
• Media Player	No	No	No	No
• HTML browser	Yes	No	Yes	No
• PDF display	No	No	No	No
• IP camera display	No	No	No	No
• Bar graphs	Yes	Yes	Yes	Yes
• Sliders	No	No	No	No
• Pointer instruments	No	No	No	No
• Analog/digital clock	No	No	No	No
Lists				
• Number of text lists per project	300		300	300
• Number of entries per text list	100		100	100
• Number of graphics lists per project	100		100	100
• Number of entries per graphics list	100		100	100
Archiving				
• Number of archives per device	2; One message and one process value archive	2	2; One message and one process value archive	2; One message and one process value archive
• Number of entries per archive	10 000	10 000	10 000	10 000
• Message archive	Yes	Yes	Yes	Yes
• Process value archive	Yes	Yes	Yes	Yes
• Archiving methods				
— Sequential archive	Yes	Yes	Yes	Yes
— Short-term archive	Yes	Yes	Yes	Yes
• Memory location				
— Memory card	No	No	No	No
— USB memory	Yes	Yes	Yes	Yes
— Ethernet	No	No	No	No
• Data storage format				
— CSV	No	No	No	No
— TXT	Yes	Yes	Yes	Yes
— RDB	No	No	No	No
Security				

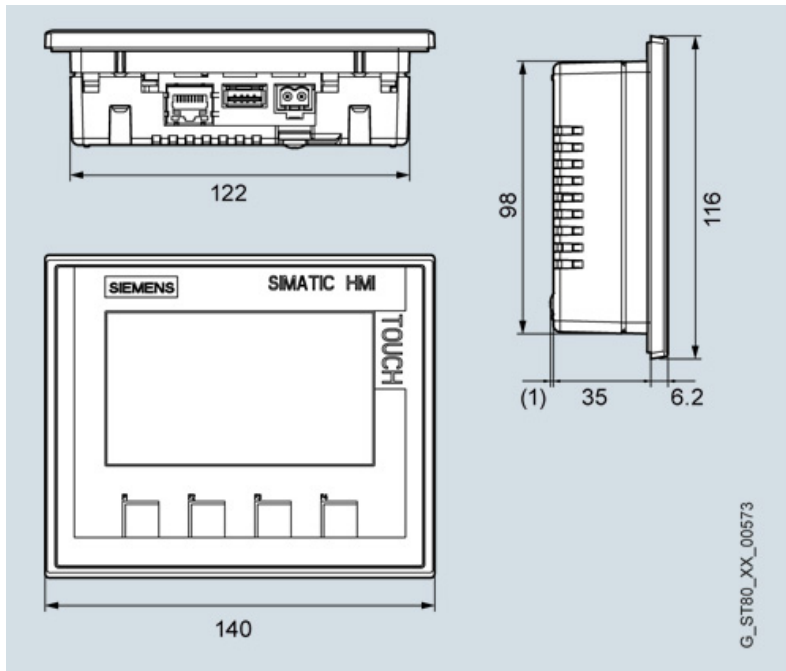
• Number of user groups	50	50	50	50
• Number of user rights	32		32	32
Article number	6AV2123-2JB03-0AX0	6AV2143-6JB00-0AA0	6AV2123-2MB03-0AX0	6AV2123-2MA03-0AX0
• Number of users	50	50	50	50
• Password export/import	SIMATIC HMI KTP900 Basic	SIMATIC HMI KTP900 Basic OEM	SIMATIC HMI KTP1200 Basic	SIMATIC HMI KTP1200 Basic DP
• SIMATIC Logon	No	No	No	No
Character sets				
• Keyboard fonts				
— US English	Yes	Yes	Yes	Yes
Transfer (upload/download)				
• MPI/PROFIBUS DP	No	No	No	Yes
• USB	No	No	No	No
• Ethernet	Yes	Yes	Yes	No
• using external storage medium	Yes	Yes; Backup/restore	Yes	Yes
Process coupling				
• S7-1200	Yes	Yes	Yes	Yes
• S7-1500	Yes	Yes	Yes	Yes
• S7-200	Yes	Yes	Yes	Yes
• S7-300/400	Yes	Yes	Yes	Yes
• LOGO!	Yes	Yes	Yes	Yes
• WinAC	Yes	Yes	Yes	Yes
• SINUMERIK	Yes; No access to NCK data		Yes; No access to NCK data	Yes; No access to NCK data
• SIMOTION	Yes	Yes	Yes	Yes
• Allen Bradley (EtherNet/IP)	Yes	Yes	Yes	No
• Allen Bradley (DF1)	No	No	No	Yes
• Mitsubishi (MC TCP/IP)	Yes	Yes	Yes	No
• Mitsubishi (FX)	No	No	No	Yes
• OMRON (FINS TCP)	No	No	No	No
• OMRON (LINK/MultiLink)	No	No	No	Yes
• Modicon (Modbus TCP/IP)	Yes	Yes	Yes	No
• Modicon (Modbus)	No	No	No	Yes
Service tools/configuration aids				
• Backup/Restore manually	Yes	Yes	Yes	Yes
• Backup/Restore automatically	No	No	No	No
• Simulation	Yes	Yes	Yes	Yes
• Device switchover	Yes	Yes	Yes	Yes
Peripherals/Options				
Printer	No	No	No	No
SIMATIC HMI MM memory card: Multi Media Card	No	No	No	No
SIMATIC HMI SD memory card: Secure Digital memory card	No	No	No	No
SIMATIC HMI CF memory card: Compact Flash Card	No	No	No	No
USB memory	Yes	Yes; USB storage medium can be	Yes	Yes

medium can be connected

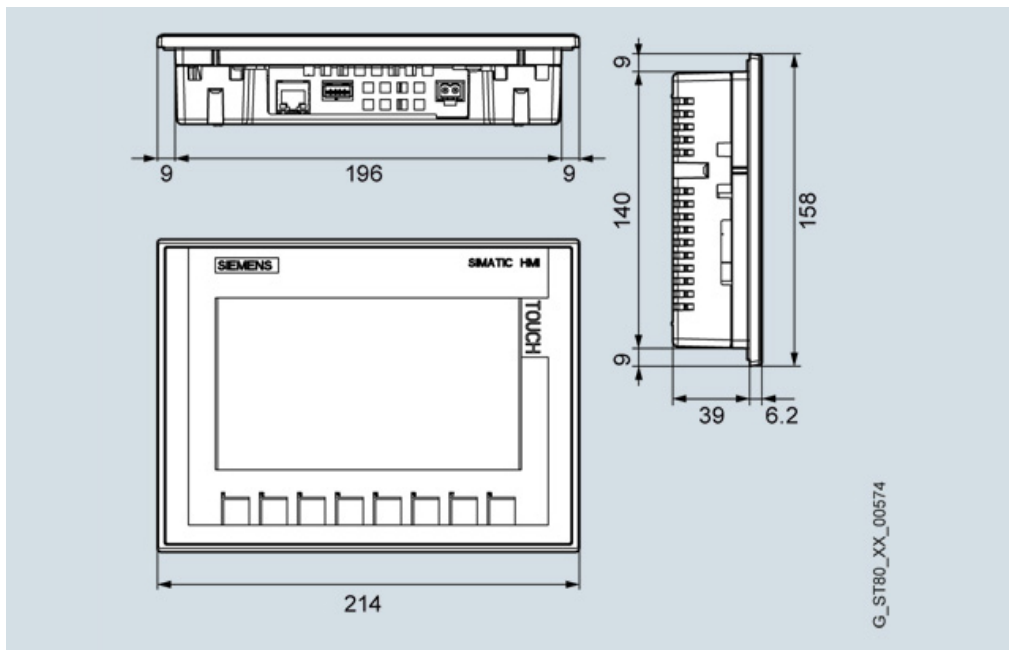
Article number	6AV2123-2JB03-0AX0 SIMATIC HMI KTP900 Basic	6AV2143-6JB00-0AA0 SIMATIC HMI TP900 Basic OEM	6AV2123-2MB03-0AX0 SIMATIC HMI KTP1200 Basic	6AV2123-2MA03-0AX0 SIMATIC HMI KTP1200 Basic DP
SIMATIC IPC USB Flashdrive (USB stick)	Yes	No	Yes	Yes
SIMATIC HMI USB stick	Yes	No	Yes	Yes
Mechanics/material				
Enclosure material (front)				
• Plastic	Yes	Yes	Yes	Yes
• Aluminum	No	No	No	No
• Stainless steel	No	No	No	No
Dimensions				
Width of the housing front	267 mm	267 mm	330 mm	330 mm
Height of housing front	182 mm	182 mm	245 mm	245 mm
Mounting cutout, width	251 mm	251 mm	310 mm	310 mm
Mounting cutout, height	166 mm	166 mm	221 mm	221 mm
Overall depth	55 mm	55 mm	60 mm	60 mm
Weights				
Weight (without packaging)	1 130 g	1 130 g	1 710 g	1 710 g
Weight (with packaging)	1 393 g	1 393 g	2.2 kg	2.2 kg

Dimensional drawings

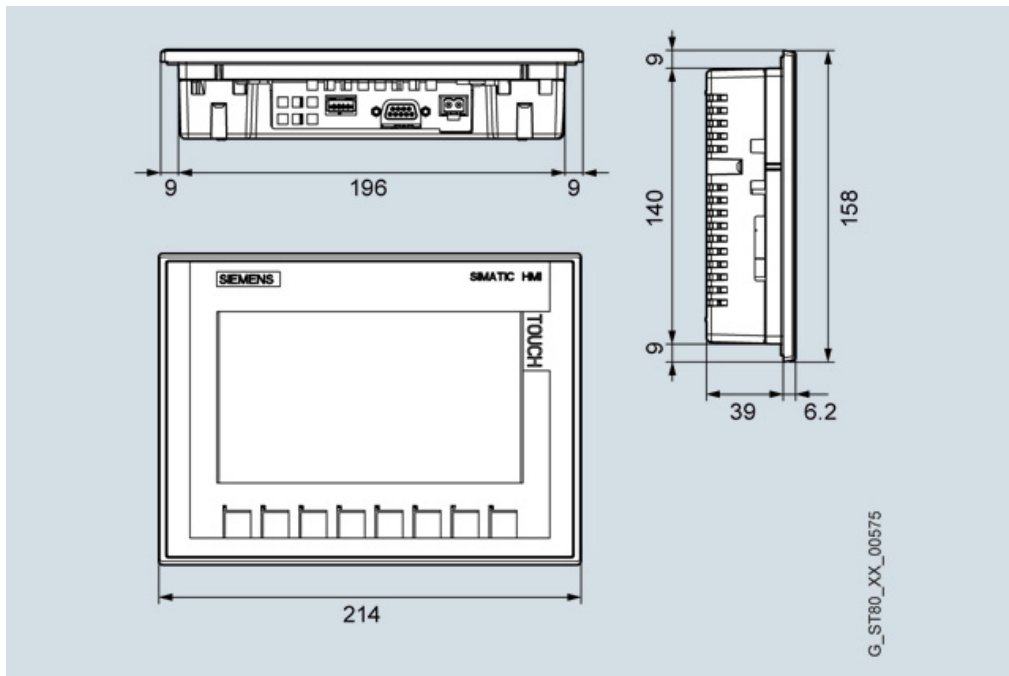
All dimensions in mm. For installation cutout, see technical specifications.



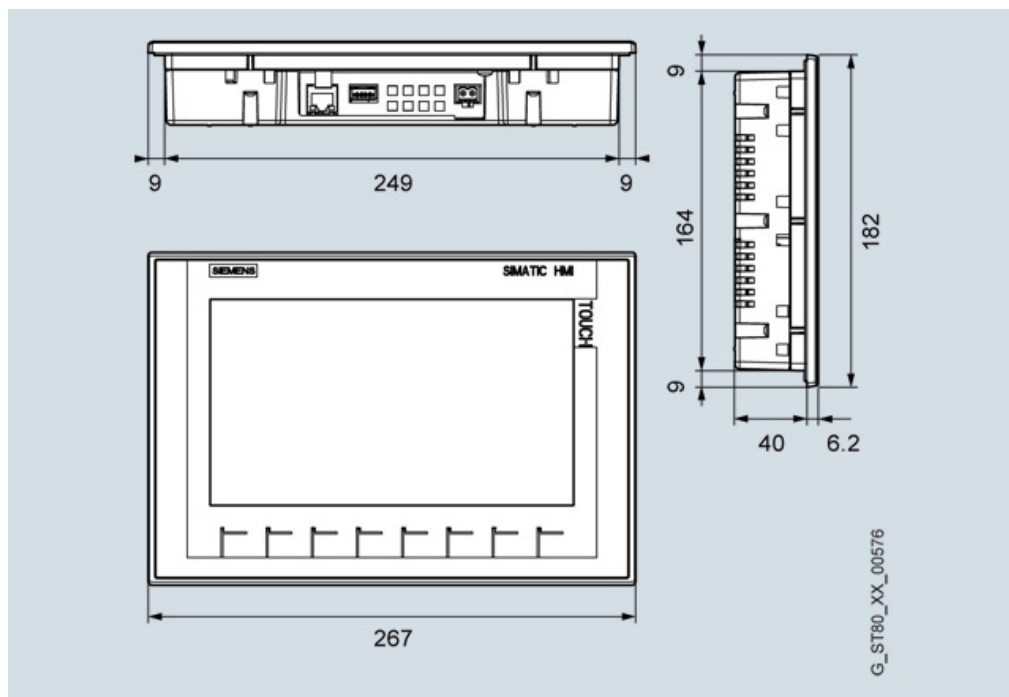
KTP400 Basic, TP400 Basic Keyless, Basic Panel 2nd Generation



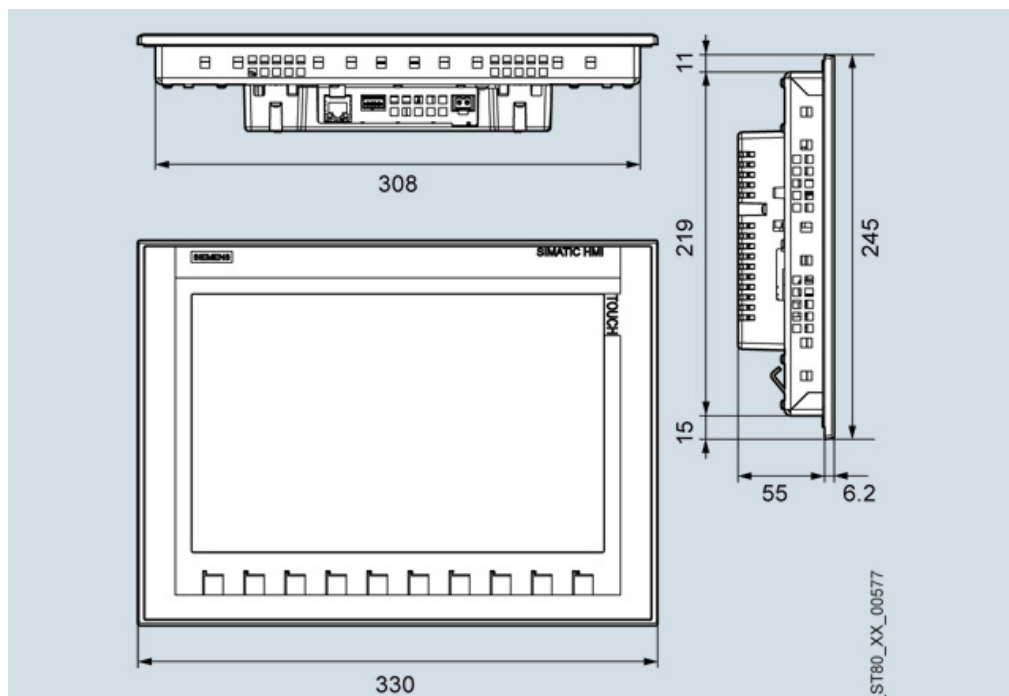
KTP700 Basic, TP700 Basic Keyless, Basic Panel 2nd Generation



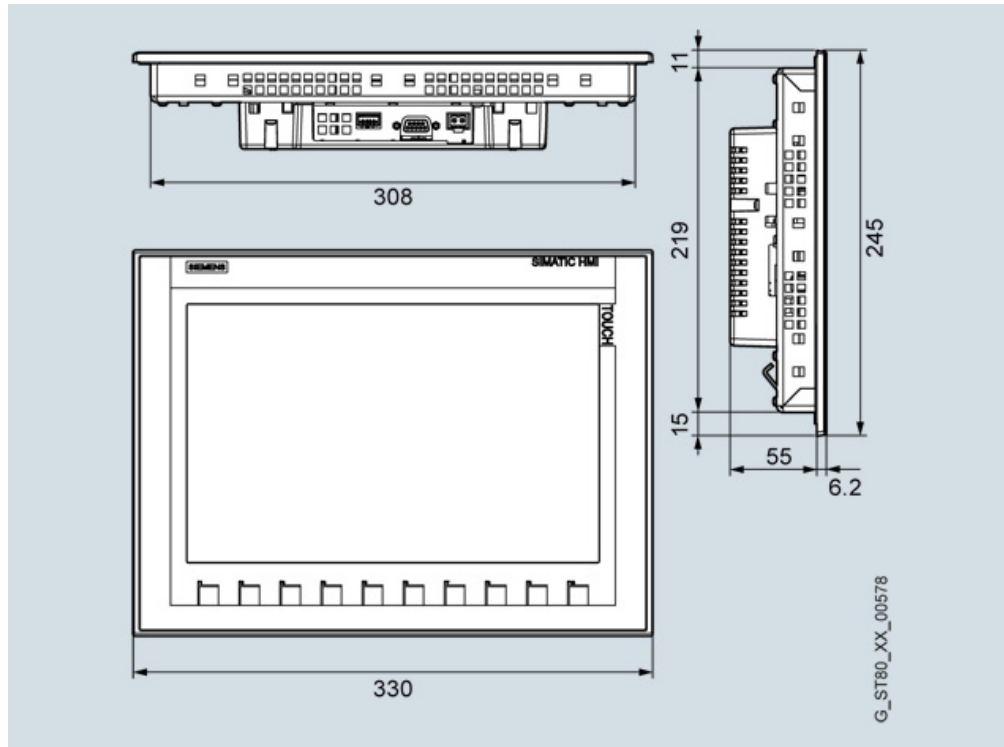
KTP700 Basic DP, Basic Panel 2nd Generation



KTP900 Basic, TP900 Basic Keyless, Basic Panel 2nd Generation



KTP1200 Basic, Basic Panel 2nd Generation



KTP1200 Basic DP, Basic Panel 2nd Generation

More information

More information is available on the Internet at:

<http://www.siemens.com/basic-panels>

Note:

Do you need a specific modification or extension to the products described here? Then look up "Customized products", where you will find information about additional and generally available sector-specific products, as well as options for customer-specific modifications and adaptations.