



TPR-3N 3-phase power regulator

35A 50A 60A 70A 100A



■ Feature

- Fast acting fuse built in
- Various protection function
(Overcurrent, power failure, fuse disconnection,
bad short circuit etc)
- Setting current limitation
- Soft start-Soft down



■ Specification

- TPR-3N (35 A / 50 A / 60 A)

Model	TPR-3N □ 35MR	TPR-3N □ 50MR	TPR-3N □ 60MR
Power supply voltage	220 V a.c. / 380 V a.c. / 440 V a.c.		
Applying frequency	50/60 Hz (Dual usage)		
Rated current	35 A	50 A	60 A
Protective circuit	Protection by built-in fuse		
Applying load	Resistive load/Inductance load		
Control input	Current Input	4 - 20 mA d.c.	
	Voltage Input	0 - 5 V d.c. / 1 - 5 V d.c. / 0 - 10 V d.c.	
	Contact Input	ON/OFF	
	External V.R	External volume (10 KΩ)	
Control type	Phase control, ON/OFF control, Cycle control		
Start type	Soft start / Soft down		
Output voltage	More than 95 % of the input voltage (with the max current input)		
Cooling type	Natural cooling (35 A), Forced cooling (50, 60 A)		
Display method	LED indication for output status		
Insulation resistance	min. 100 MΩ (500 V d.c. mega standard)		
Output adjustable range	0 ~ 100 %		
Dielectric strength	For 1 min, 2000 V a.c. 50/60 Hz		
Line noise	Noise (2 kv) by noise simulator		
Ambient temperature	0 ~ 40 °C (Without condensation)		
Ambient humidity	35 ~ 85 % R.H.		
Storage temperature	-25 ~ 70 °C		
Weight	Approx. 5 kg		

- TPR-3N (70 A / 100 A)

Power supply voltage	220 V a.c. / 380 V a.c. / 440 V a.c.	
Applying Frequency	50 / 60 Hz(Dual usage)	
Rated Current	70 A / 100 A	
Protective circuit	Protection by built-in fuse	
Applying load	Resistance load / inductive load (Select by conversion switch)	
Control input	Current input	4 - 20 mA d.c.
	Voltage input	0 - 5 V d.c. / 1 - 5 V d.c. / 0 - 10 V d.c.
	Contact input	ON/OFF
	External V.R	External volume (10 KΩ)
Control type	Phase control, ON/OFF control (Switch selection), Cycle control	
Starting type	Soft start / Soft up / Soft down	
Output adjusting range	Above 95 % of input voltage (when applying max current input)	
Cooling method	Forced cooling	
Indicating method	LED indication for output status	
Insulation Resistance	Min. 100 MΩ (500 V d.c. Mega standard)	
Output adjusting range	0 ~ 100 %	
Dielectric Strength	For 1 min, 2000 V a.c. 50/60 Hz	
Line noise	Noise (2 kv) by the noise simulator	
Ambient temperature	0 ~ 50 °C (Without condensation)	
Ambient humidity	35 ~ 85 % R.H.	
Storage temperature	-25 ~ 70 °C	
Weight	Approx. 5 kg	

■ Suffix code

- TPR-3N (35 A / 50 A / 60 A)

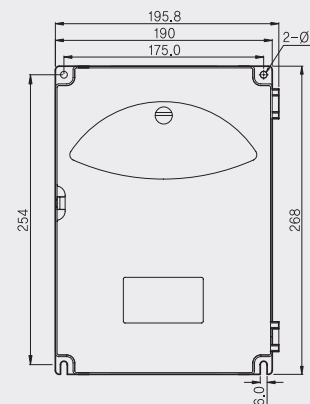
Model	Code	Description
TPR-3N	□ □	3-phase power regulator
Power supply voltage	220	220 V a.c.
	380	380 V a.c.
	440	440 V a.c.
Rated current	35	35 A
	50	50 A
	60	60 A

- TPR-3N (70 A / 100 A)

Model	Code	Description
TPR-3N	□ □	3-phase power regulator
Power supply voltage	220	220 V a.c.
	380	380 V a.c.
	440	440 V a.c.
Rated current	70	70 A
	100	100 A

■ Appearance

- TPR-3N (35 A / 50 A / 60 A)



- TPR-3N (70 A / 100 A)

