

HY-606MD/HY-606MA

4 tones melody buzzer

- 4 tones of melody selectable
- Compact, light weight, high capacity tones
- Low power consumption and long life expectancy
- Simple installation structure due to the panel installation type



●● Suffix code

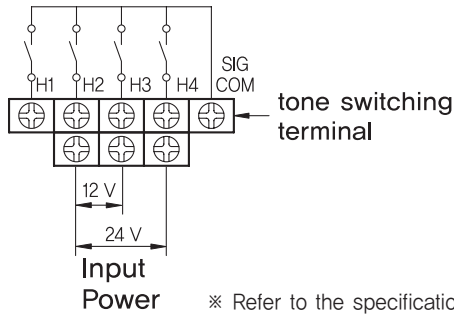
Model	Code	Description
HY-606	<input type="checkbox"/>	4 tones melody buzzer
Power supply voltage	MD	12 - 24 V d.c
	MA	110 - 240 V a.c

●● Specification

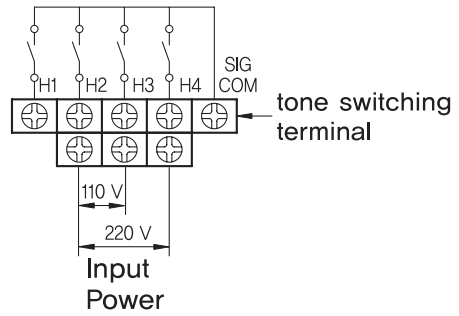
Model	HY-606MD	HY-606MA
Power supply voltage	12 - 24 V d.c	110 - 240 V a.c
Power frequency	-	50/60 Hz (Dual usage)
Power consumption	Approx 2.5 W	
Decibel	98 dB Max.	
Installation hole	Ø66 panel cutout	
Tone types	H1	Fire
	H2	Ambulance
	H3	Police
	H4	Music (For Elise)

●● Wiring diagram

■ HY-606MD (d.c)



■ HY-606MA (a.c)

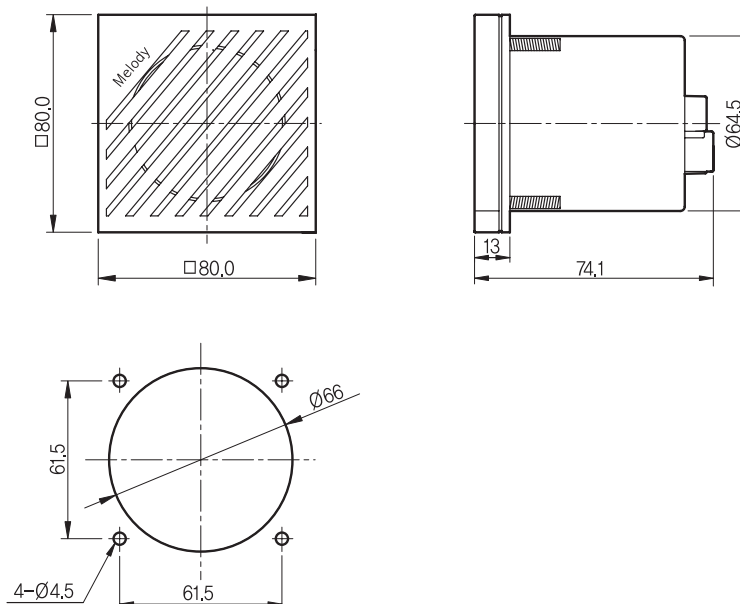


※ Refer to the specification for melodies type (H1~H4)

●● Precautions

- Do not supply any voltage into the tone switching terminal. Doing so may damage the product.
- When wiring to the terminal, please use the crimp-type terminal less than $\varnothing 6.0$ (outer diameter) and more than $\varnothing 3.1$ (inner diameter).
- Supply the power after confirming the correct wiring.

●● Dimension and panel cutout (unit : mm)



- Control switch
- Combination display light
- Power switch
- Main switch
- Cam switch
- Limit switch
- Micro switch
- Hoist switch
- Foot switch
- Mono layer switch
- Sign tower
- Signal light
- Buzzer
- Terminal block
- Fuse holder
- Control box
- Cable connector
- Discontinued Products