



Compact and lightweight high pressure Panel stationary type Horn speaker



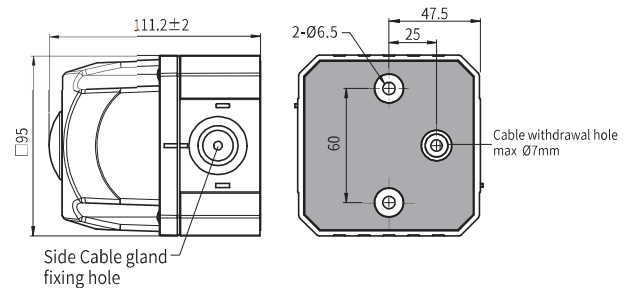
Multiple connection
(MQVL or MQVX series) ▶



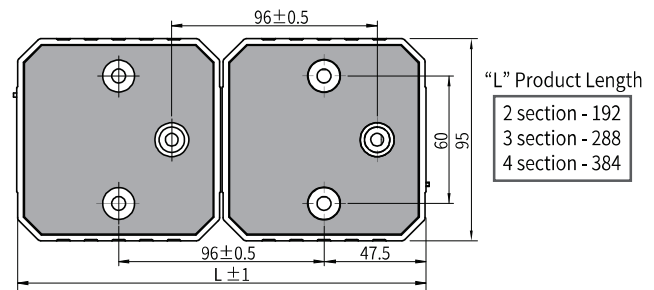
Product Feature

- Built-in 15W high power speaker
- Volume adjustable up to 105dB
- 9 tones for a diverse range of applications
- Duration of signal phase selectable
- High protection rating IP 65

Dimensions <Unit: mm>



Fixed dimensions for multiple connection



Ordering information

MQVH - 9 FF - R
① ② ③

① Built-in Sound

9 9 tones

③ Cover Color

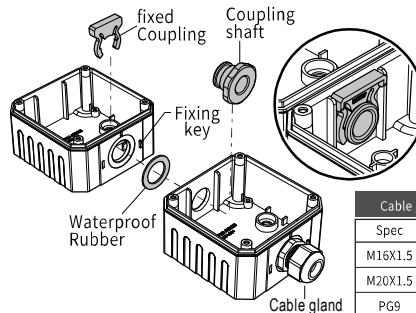
R Red
B Black

② Power Supply

00 12 ~ 24VDC
FF 110 ~ 220VAC

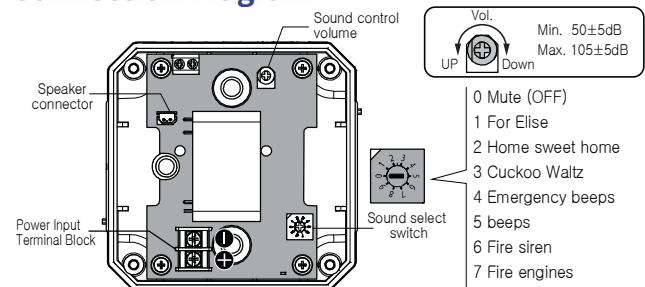
Specifications

| | |
|----------------------------|--|
| Power supply | 12~24VDC, 110~220VAC (AC 50/60Hz) |
| Allowable voltage range | 10.8~26.4VDC, 100~240VAC |
| Current consumption (±10%) | 12V~24VDC: 0.45A 110~220VAC: 0.20A |
| Sound volume (max) | 105±5dB (1M) |
| Volume control | Built-in volume control |
| Sound type | Melody : 3ch / Signal : 3ch / Siren : 3ch |
| Mounting Method | Body bottom face fixing - Screw type (M6, 2EA) |
| Power cable insertion | Bottom of main body - Maximum cable diameter: Ø7mm Two external locations - Cable gland |
| Connection | AC type: 18AWG DC type: 22AWG |
| Color | Body - Black Speaker cover- Black, Red |
| Material | Body - PA6 Speaker Cover - ABS |
| Insulation resistance | Over 100MΩ (500VDC mega between terminals and case) |
| Withstand voltage | 500V AC 50/60Hz 1min (between terminals and case before) |
| Vibration | 0.75mm at 10~55Hz (cycle: 1minute) |
| Temperature | Working temperature : -20 ~ 50°C Storage temperature : -20 ~ 70°C |
| Ambient humidity | 45 ~ 85% RH |
| Protection structure | IP65 |
| Approval | RoHS |
| Weight | App. 535g (AC type standard) |



| Cable gland-Dimension of machining hole | | |
|---|----------------|--------------------|
| Spec | Machining hole | Suitable Cable Dia |
| M16X1.5 | Ø16mm | Ø4.5-10mm |
| M20X1.5 | Ø20mm | Ø7-12.5mm |
| PG9 | Ø16mm | Ø3-8mm |
| PG13.5 | Ø20mm | Ø5-12mm |

Connection Diagram



※Be careful of polarity when inputting DC.

⚠ Warning : It must be powered off before connecting terminals