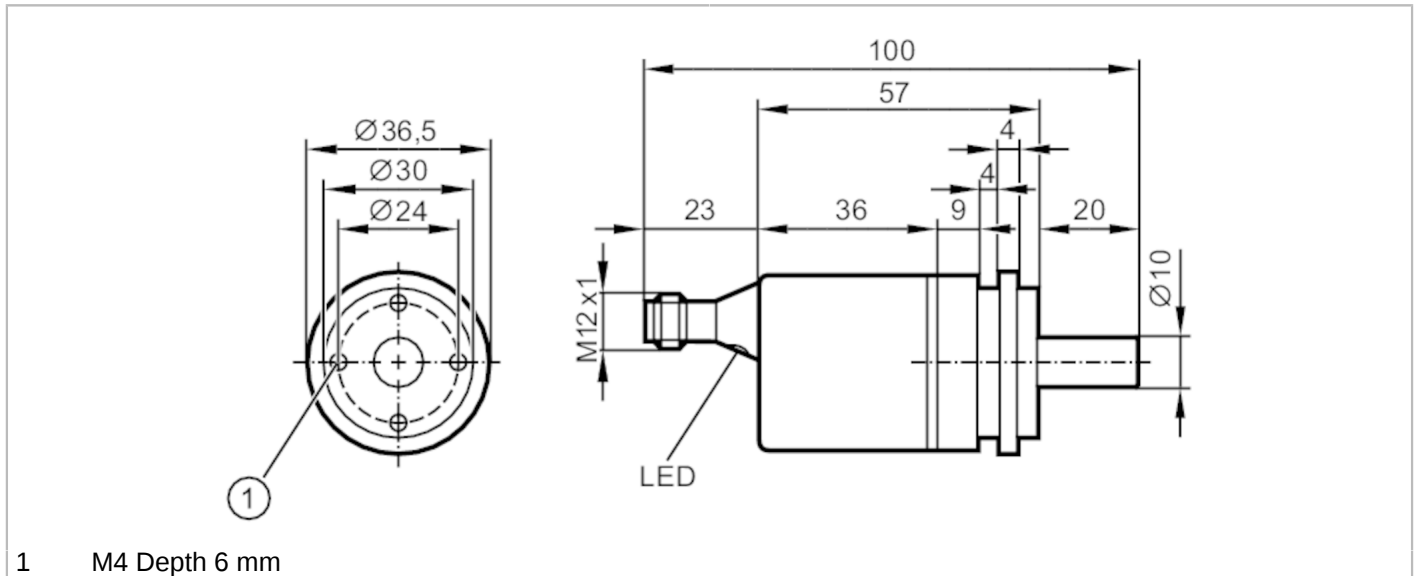


RM9000



Absolute multiturn encoder with solid shaft

RMS0024-C24/US



Product characteristics	
Resolution	4096 steps; 4096 revolutions; 24 bit
Communication interface	CAN
Shaft design	solid shaft
Shaft diameter [mm]	10
Application	
Function principle	absolute
Revolution type	multiturn
Electrical data	
Operating voltage [V]	9...30 DC; ("supply class 2" to cULus)
Current consumption [mA]	< 100; ((10 V DC) ; ≤ 50 (24 V DC))
Protection class	III
Reverse polarity protection	yes
Outputs	
Short-circuit protection	yes
Code	binary
Measuring/setting range	
Resolution	4096 steps; 4096 revolutions; 24 bit
Accuracy / deviations	
Accuracy [°]	0.08
Software / programming	
Parameter setting options	CAN parameter; scaling; preset; Baud rate; direction of rotation; Node ID
Interfaces	
Communication interface	CAN

RM9000



Absolute multiturn encoder with solid shaft

RMS0024-C24/US

CAN		
Protocol	CANopen	
Factory settings	Baud rate: 125 kBit/s node ID: 32	
Version	DSP - 406 V3.1; DS 301 V4.02; DS 306 V2.0	
Operating conditions		
Ambient temperature	[°C]	-40...85
Protection		IP 68; IP 69K
Tests / approvals		
Shock resistance		200 g (11 ms)
Vibration resistance		30 g (10...1000 Hz)
MTTF	[years]	240
Mechanical data		
Weight	[g]	234
Dimensions	[mm]	Ø 36.5 / L = 100
Materials		flange: aluminium; housing cap: steel scratch-resistant cathodic dip coating
Max. revolution, mechanical	[U/min]	6000
Max. starting torque	[Nm]	5
Reference temperature torque	[°C]	20
Shaft design		solid shaft
Shaft diameter	[mm]	10
Shaft material		steel (1.4104)
Max. shaft load axial (at the shaft end)	[N]	180
Max. shaft load radial (at the shaft end)	[N]	180
Fixing flange		synchro-flange
Displays / operating elements		
Display	Preoperational Mode	LED, green
	Operational Mode	LED, green flashing
	error message	LED, red flashing
Electrical connection		
1	CAN_GND	
2	VBBc	
3	GND (PE)	
4	CAN_High	
5	CAN_Low	
Connector: 1 x M12, axial		

RM9000

Absolute multiturn encoder with solid shaft

RMS0024-C24/US

