

Basic external snap ring (Retaining for shaft) DIN 471

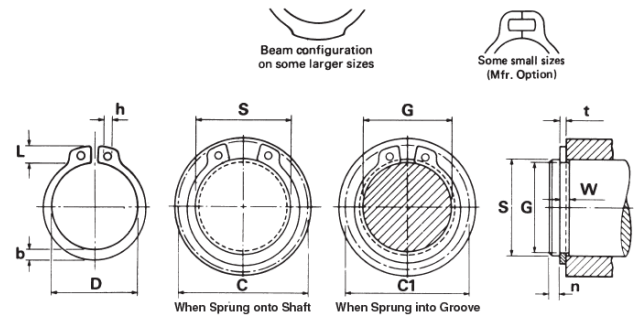
BER series

Model: BER-Material-Nom size

Material:

- Steel carbon (BO)
- 420 stainless steel (420)

Ex model: **BER-BO-3** or **BER-420-3**



DIN 471 - D3100 Standard External Circlips												
Shaft	Circlip Dimensions							Groove Dimensions				
	S	D	C	C1	L	b	h	t	G	W	n	d
3	2.7	7.0	6.6	6.6	1.9	0.8	1.0	0.40	2.8	0.50	0.3	0.10
4	3.7	8.6	8.2	8.2	2.2	0.9	1.0	0.40	3.8	0.50	0.3	0.10
5	4.7	10.3	9.8	9.8	2.5	1.1	1.0	0.60	4.8	0.70	0.3	0.10
6	5.6	11.7	11.1	11.1	2.7	1.3	1.2	0.70	5.7	0.80	0.5	0.15
7	6.5	13.5	12.9	12.9	3.1	1.4	1.2	0.80	6.7	0.90	0.5	0.15
8	14.7	14.7	14.0	14.0	3.20	1.5	1.2	0.80	7.6	0.90	0.6	0.20
9	8.4	16.0	15.2	15.2	3.3	1.7	1.2	1.00	8.6	1.10	0.6	0.20
10	9.3	17.0	16.2	16.2	3.3	1.8	1.5	1.00	9.6	1.10	0.6	0.20
11	10.2	18.0	17.1	17.1	3.3	1.8	1.5	1.00	10.5	1.10	0.8	0.25
12	11.0	19.0	18.1	18.1	3.3	1.8	1.7	1.00	11.5	1.10	0.8	0.25
13	11.9	20.2	19.2	19.2	3.4	2.0	1.7	1.00	12.4	1.10	0.9	0.30
14	12.9	21.4	20.4	20.4	3.5	2.1	1.7	1.00	13.4	1.10	0.6	0.30
15	13.8	22.6	21.5	21.5	3.6	2.2	1.7	1.00	14.3	1.10	1.1	0.35
16	14.7	23.8	22.6	22.6	3.7	2.2	1.7	1.00	15.2	1.10	1.2	0.40
17	15.7	25.0	23.8	23.8	3.8	2.3	1.7	1.00	16.2	1.10	1.2	0.40
18	16.5	26.2	24.8	24.8	3.9	2.4	2.0	1.20	17.0	1.30	1.5	0.50
19	17.5	27.2	25.8	25.8	3.9	2.5	2.0	1.20	18.0	1.30	1.5	0.50
20	18.5	28.4	27.0	27.0	4.0	2.6	2.0	1.20	19.0	1.30	1.5	0.50
21	19.5	29.6	28.2	28.2	4.1	2.7	2.0	1.20	20.0	1.30	1.5	0.50
22	20.5	30.8	29.4	29.4	4.2	2.8	2.0	1.20	21.0	1.30	1.5	0.50
23	21.5	32.0	30.6	30.6	4.3	2.9	2.0	1.20	22.0	1.30	1.5	0.50
24	22.2	33.2	31.7	31.7	4.4	3.0	2.0	1.20	22.9	1.30	1.7	0.55
25	23.2	34.2	32.7	32.7	4.4	3.0	2.0	1.20	23.9	1.30	1.7	0.55
26	24.2	35.5	33.9	33.9	4.5	3.1	2.0	1.20	24.9	1.30	1.7	0.55
27	24.9	36.7	34.8	34.8	4.6	3.1	2.0	1.20	25.6	1.30	2.1	0.70

DIN 471 0 D3100 Standard External Circlips

Shaft S	Circlip Dimensions							Groove Dimensions			
	D	C	C1	L	b	h	t	G	W	n	d
28	25.9	37.9	36.0	7.7	3.2	2.0	1.50	25.6	1.60	2.1	0.70
29	26.9	38.1	37.2	4.8	3.4	2.0	1.50	27.6	1.60	2.1	0.70
30	27.9	40.5	38.6	5.0	3.5	2.0	1.50	28.6	1.60	2.1	0.70
32	29.6	43.0	40.7	5.2	3.6	2.5	1.50	30.3	1.60	2.6	0.85
33	30.5	44.0	41.7	5.2	3.7	2.5	1.50	31.3	1.60	2.6	0.85
34	31.5	45.4	43.1	5.4	3.8	2.5	1.50	32.3	1.60	2.6	1.50
35	32.2	46.8	44.2	5.6	3.9	2.5	1.50	33.0	1.60	3.0	1.00
36	33.2	47.8	45.2	5.6	4.0	2.5	1.75	34.0	1.85	3.0	1.00
38	35.2	50.2	47.6	5.8	4.2	2.5	1.75	36.0	1.85	3.0	1.00
40	36.5	52.6	48.5	6.0	5.0	2.5	1.75	37.5	1.85	3.8	1.25
42	38.5	55.7	52.5	6.5	5.0	2.5	1.75	39.5	1.85	3.8	1.25
45	41.5	59.1	55.9	6.7	5.0	2.5	1.75	42.5	1.85	3.8	1.25
46	42.5	60.1	56.9	6.7	5.0	2.5	1.75	43.5	1.85	3.8	1.25
47	43.5	61.3	58.1	6.8	5.0	2.5	1.75	44.5	1.85	3.8	1.25
48	44.5	62.5	59.3	6.9	5.0	2.5	1.75	45.5	1.85	3.8	1.25
50	45.8	64.5	60.8	6.9	5.5	2.5	2.00	47.0	2.15	4.5	1.50
52	47.8	66.7	63.0	7.0	5.5	2.5	2.00	49.0	2.15	4.5	1.50
54	49.8	69.0	65.2	7.1	5.5	2.5	2.00	51.0	2.15	4.5	1.50
55	50.8	70.2	66.4	7.2	5.5	2.5	2.00	52.0	2.15	4.5	1.50
56	51.8	71.6	67.6	7.3	5.5	2.5	2.00	53.0	2.15	4.5	1.50
58	53.8	73.6	69.6	7.3	5.6	2.5	2.00	55.0	2.15	4.5	1.50
60	55.8	75.6	71.8	7.4	5.8	2.5	2.00	57.0	2.15	4.5	1.50
62	57.8	77.8	74.0	7.5	6.0	2.5	2.00	59.0	2.15	4.5	1.50
63	58.8	79.0	75.2	7.6	6.2	2.5	2.00	60.0	2.15	4.5	1.50
65	60.8	81.4	77.6	7.8	6.3	3.0	2.50	62.0	2.65	4.5	1.50