

## DIGITAL INSIDE MICROMETER



Provided with a reference ring gauge for zero-point setting.  
Ready to use immediately.

<b>Reference standard for calibration</b> Ring Gauge <b>P68 ~72</b>	<b>For holding micrometers</b> Micrometer Stand <b>P226</b>	<b>Rust prevention</b> Zerust Film for Steel <b>P380</b>
---	---	--



**USE**

- For inside diameter measurement

**MATERIAL**

- Frame: Carbon steel
- Spindle: High carbon chrome steel

**FEATURES**

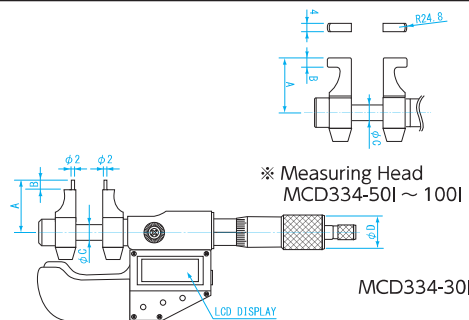
- Quick digital display of the measured value
- Provided with a reference ring gauge
- With ratchet stop
- Auto display off function (after approx. 5 min.)
- Carbide measuring faces

**POWER**

- One SR44 (Silver oxide) battery included for testing



**DIMENSIONS**



Units: mm

Model No.	A	B	C	D
MCD334-30I	28	5	8	18
MCD334-50I				
MCD334-75I				
MCD334-100I				

※ Quantization Error (± 1 digit) not included

Order No.	Model No.	Measuring Range (mm)	Resolution (mm)	Maximum Error* (μm)	Maximum Error (mm)	Weight
151235	MCD334-30I	5 ~ 30	0.001	6	φ 5	330g
151236	MCD334-50I	25 ~ 50			φ 25	330g
151237	MCD334-75I	50 ~ 75		8	φ 50	300g
151238	MCD334-100I	75 ~ 100			φ 75	320g

## CALIPER TYPE INSIDE MICROMETER

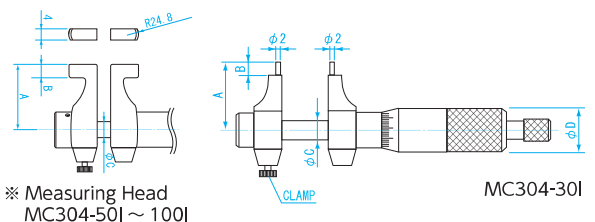


Provided with a reference ring gauge for zero-point setting.  
Ready to use immediately.

<b>Reference standard for calibration</b> Ring Gauge <b>P68 ~72</b>	<b>For holding micrometers</b> Micrometer Stand <b>P226</b>	<b>Rust prevention</b> Zerust Film for Steel <b>P380</b>
---	---	--



**DIMENSIONS**



Units: mm

Model No.	A	B	C	D
MC304-30I	28	5	8	18
MC304-50I				
MC304-75I				
MC304-100I				

**USE**

- For inside diameter measurement

**MATERIAL**

- Spindle: High carbon chrome steel

**FEATURES**

- Provided with a reference ring gauge
- With ratchet stop
- Carbide measuring faces



Order No.	Model No.	Measuring Range (mm)	Resolution (mm)	Maximum Error* (μm)	Maximum Error (mm)	Weight	
151230	MC304-30I	5 ~ 30	0.01	5	φ 5	140g	
151231	MC304-50I	25 ~ 50		6	φ 25	150g	
151232	MC304-75I	50 ~ 75		8	7	φ 50	160g
151233	MC304-100I	75 ~ 100			8	φ 75	190g