

SEHAN
ELECTOOLS

SH Electric Screwdriver

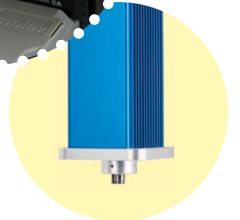
Torque-Angle Control Screwdriver
100% Current Control with
Servo Motor



Sehan guarantees that our products certainly help for enhancing assembly quality



- 01 Optimized for automation system
- 02 Precise torque value
- 03 Best solution regarding automatic screw fastening
- 04 Using servo motor
- 05 Easy configuration, Easy setting
- 06 Reliable performance, easy maintenance, long life time
- 07 Able to cover massive range of torque from small to large accurately
- 08 Able to control torque, angle and speed
- 09 Can detect many sort of errors by itself and also can judge OK or NG by torque and angle.
- 10 100% current control screwdriver
- 11 Programmable sequencing
- 12 Adjustable approach speed (soft start) and final fastening speed
- 13 Additional angle (Forward/Reverse) after torque up is possible in order to meet target torque without adjust torque value

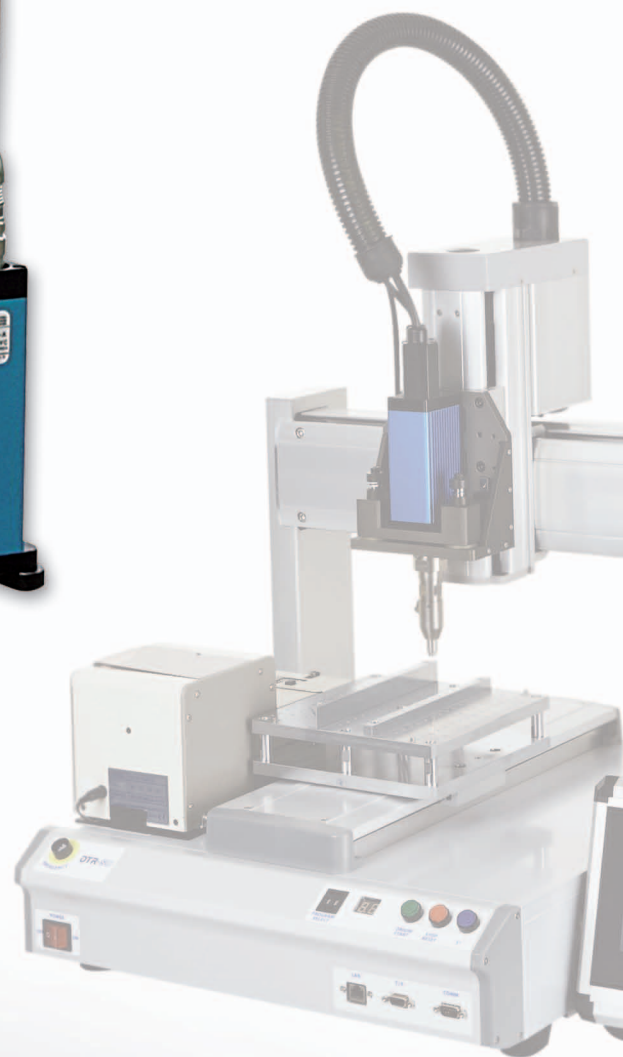


Automation machine

Optimized for robot
and custom automation
screw fastening



SEHAN
ELECTOOLS



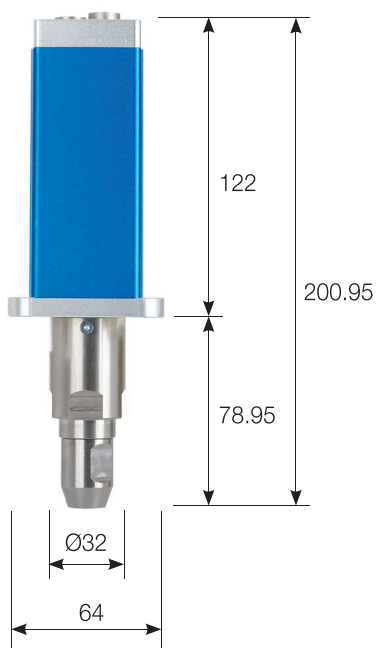
Auto- mation Type



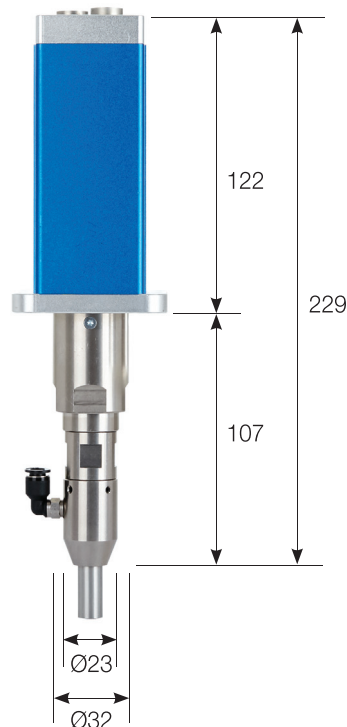
Model	Torque Unit		Speed (Auto)		Speed (Manual)		Weight kg	Vacuum Assy	Bit Type	Dedicated Controller
	Kgf-cm		RPM		RPM					
	Min	Max	Min	Max	Min	Max				
SH030R010	0.5	2.5	410	1,000	100	1,000	0.63	○	1/4" 4mm	SHC-50
SH050R010	0.8	4.5	300	1,000	100	1,000	0.72	○	1/4" 4mm	SHC-50
SH100R010	1.5	9	365	1,200	100	1,200	0.83	○	1/4" 4mm	SHC-100
SH100R030	5	25	290	960	100	1,000	1.45	○	1/4"	SHC-100
SH100R050	10	43	395	820	100	1,000	1.45	○	1/4"	SHC-100
SH100R100	20	85	210	470	100	500	1.45	○	1/4"	SHC-100
SH400R010	8	35	400	1,000	100	1,000	1.5		1/4"	SHC-400
SH400R050	50	170	170	430	100	1,000	3.2		3/8", SQ Male	SHC-400
SH400R100	80	350	170	430	100	500	3.2		3/8", SQ Male	SHC-400
SH800R050	100	310	265	360	100	1,000	6.1		3/8", SQ Male	SHC-800
SH800R100	200	650	120	305	100	500	6.1		3/8", SQ Male	SHC-800

*For vacuum assy, mouthpiece is not incorporated

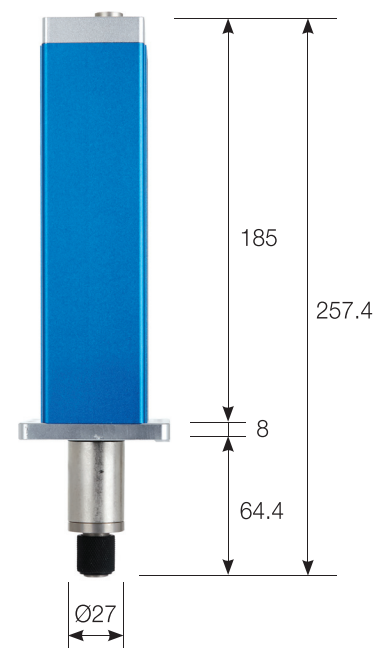
SH030~100R010-A



SH030~100R010-A+V

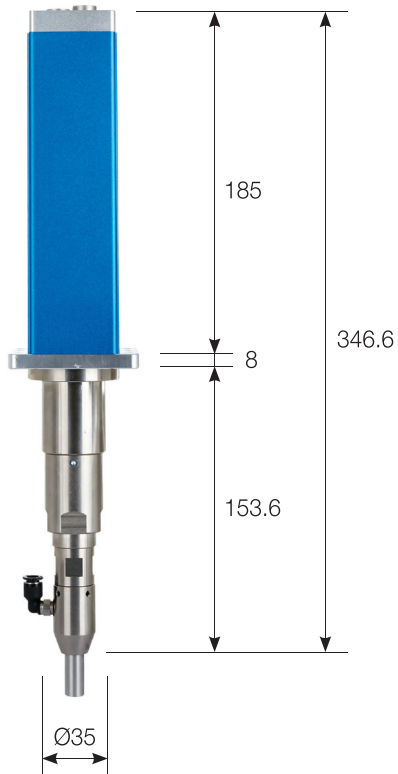


SH100R030~100-A

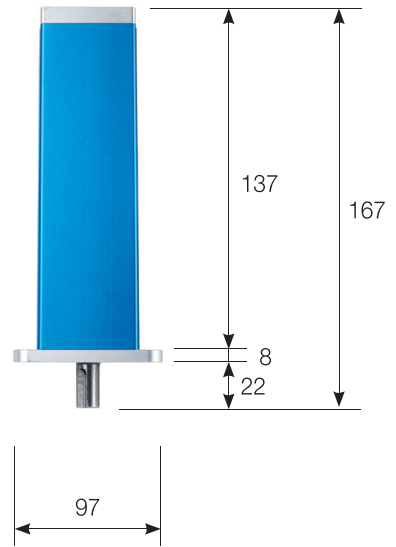


Unit : mm

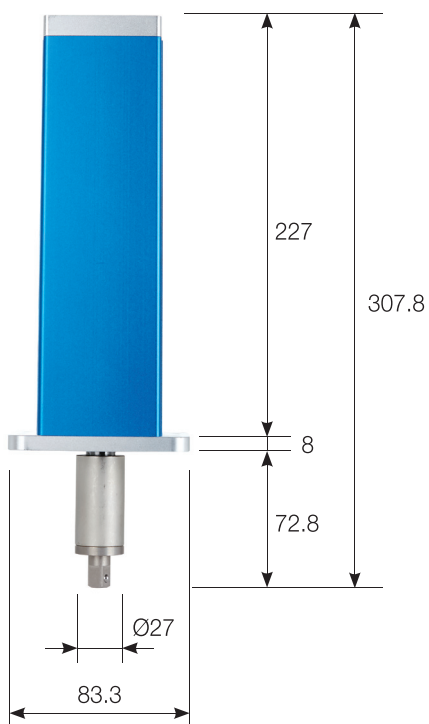
SH100R030~100-A+VC



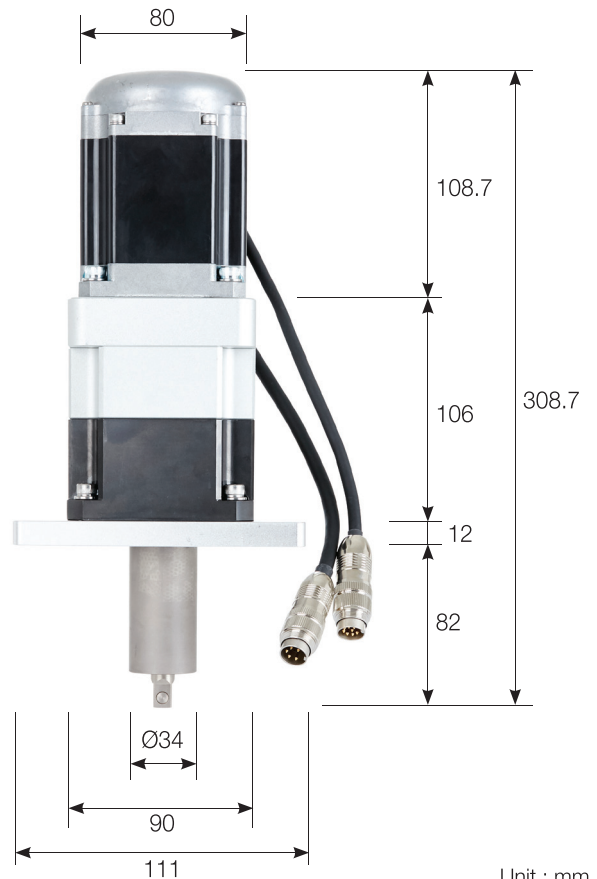
SH400R010-Surface Mounted



SH400R050~100-Q



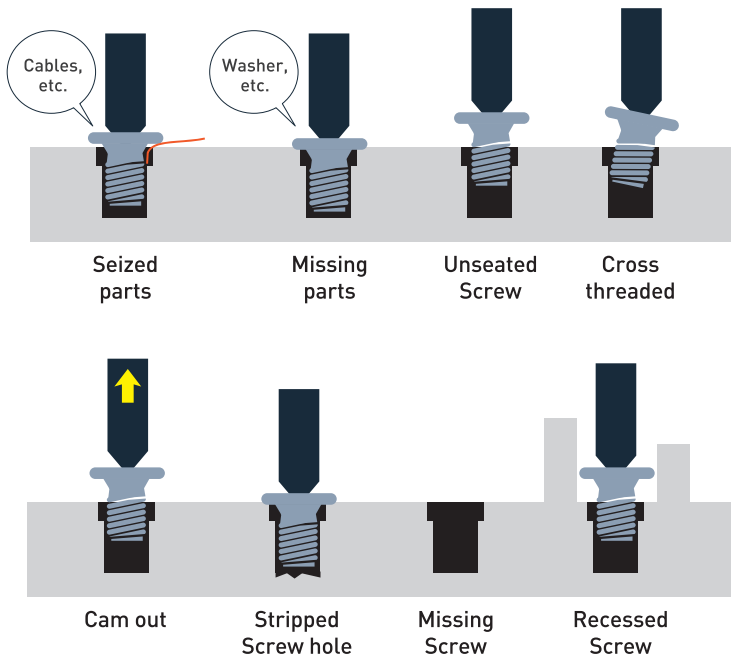
SH800R050~100-Q



Unit : mm

Detectable errors with SH

The screwdriver itself detects and notifies you of screw fastening errors.



Makes setting and programmable easily via our software, Smart-Manager

- 1 Data can be documented
- 2 Advanced fastening strategies
- 3 Real time monitoring for every single fastening
- 4 Individual settings for each preset
- 5 Graph representation of torque values
- 6 Built-in a function of screw counting



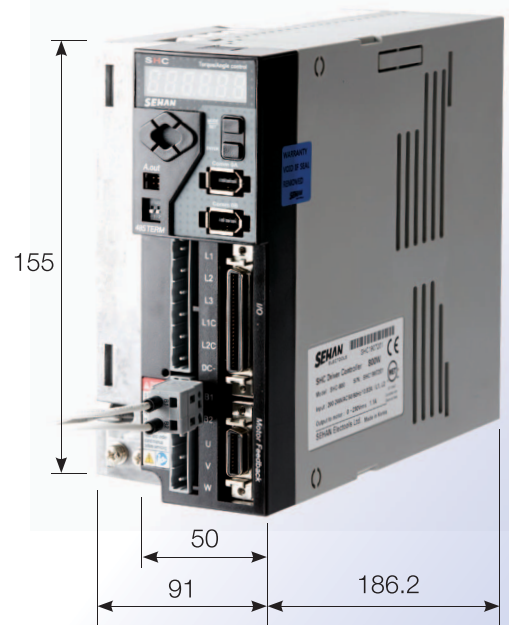
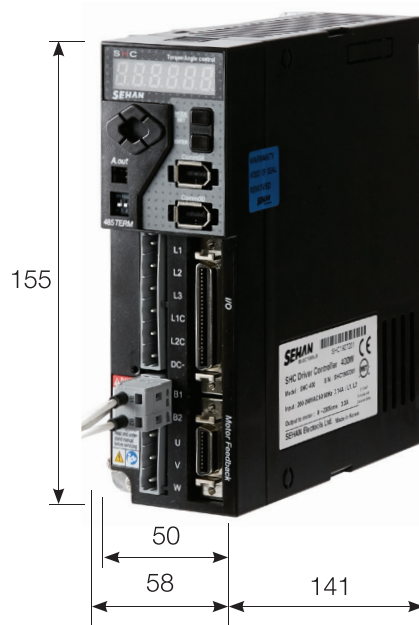
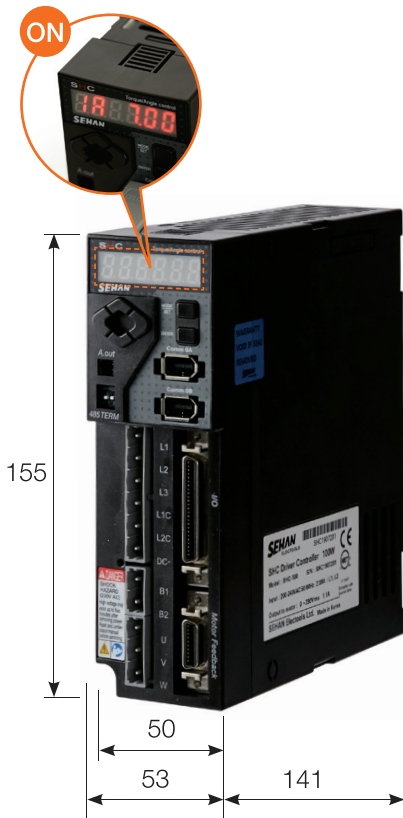
Specifications / Layout

No	Item	Specification	
1	Input	AC220V, 50~60Hz, Single	
2	Control Range	Electric	0.5 ~ 650 kgf.cm by 8 preset respectively
		Speed	100 ~ 1500 RPM by 8 preset respectively
		Angle	Adjustable in 0.1 Turn as a unit
3	Preset Parameters	Torque, Speed and Angle are possible to control and set by 8 presets	
4	Preset control method	I/O interface	
5	Error display	Errors display on the FND screen by error numbers	
6	OK/NG judgement of screwing	OK/NG judgement of screwing is possible by number of turns, torque and times	
7	Monitoring	Real time monitoring and graph monitoring are available via Hi manager (Dedicated Software)	
8	Communication Port	USB, RS232C	

SHC-100

SHC-400

SHC-800



Unit : mm

SEHAN

ELECTOOLS

B-206 bundang techno park, seongnam-si, kyonggi-do, korea (13511)

Tel : 82-31-701-9855

Fax : 82-31-701-9853

[http : //www.sehan.co.kr](http://www.sehan.co.kr)

[http : //www.sehan-tools.co.kr](http://www.sehan-tools.co.kr)