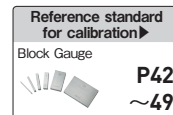


# DIGITAL DEEP THROAT MICROMETER



Deep throat frame for measuring thickness of sheet metal and so on



MCD233-100U

**USE**

- Deep throat frame for measuring thickness of sheet metal, paper and sheet plastic

**MATERIAL**

- Frame: Carbon steel ● Spindle: High carbon chrome steel

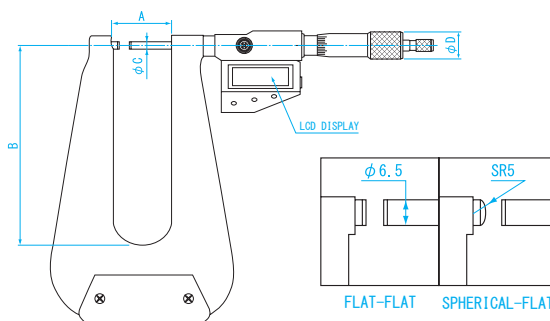
**FEATURES**

- Quick digital display of the measured value ● Carbide measuring faces
- With ratchet stop ● With thermal protection cover
- Auto display off function (after approx. 5 min.) ● Painted frame

**POWER**

- One SR44 (Silver oxide) battery included for testing

**● DIMENSIONS**



Units: mm

Model No.	A	B	C	D
MCD233-100U	32	100	6.5	18
MCD233-150U		150		
MCD233-300U		300		

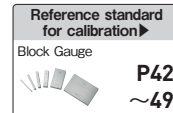
※ Quantization Error (± 1 digit) not included

Order No.	Model No.	Measuring Range (mm)	Resolution (mm)	Maximum Error* (μm)	Shape of Measuring Face	Weight
152111	MCD233-100U	0 ~ 25	0.001	6	Flat-Flat	720g
152112	MCD233-150U					960g
152113	MCD233-300U			8	Spherical-Flat	2000g

# DEEP THROAT MICROMETER



Deep throat frame for measuring thickness of sheet metal and so on



MC203-100U

**USE**

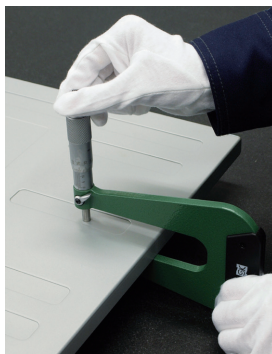
- Deep throat frame for measuring thickness of sheet metal, paper and sheet plastic

**MATERIAL**

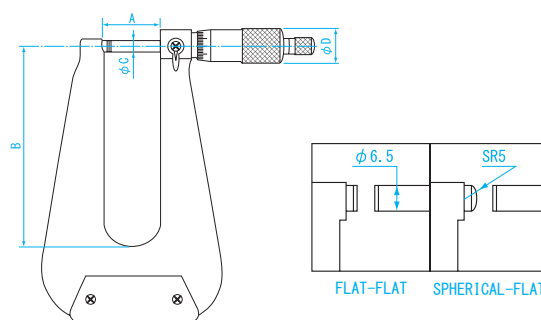
- Frame: Carbon steel ● Spindle: High carbon chrome steel

**FEATURES**

- Carbide measuring faces
- With ratchet stop
- With thermal protection cover
- Painted frame



**● DIMENSIONS**



Units: mm

Model No.	A	B	C	D
MC203-100U	31	100	6.5	18
MC203-150U		150		
MC203-300U		300		

Order No.	Model No.	Measuring Range (mm)	Resolution (mm)	Maximum Error (μm)	Shape of Measuring Face	Weight
151451	MC203-100U	0 ~ 25	0.01	4	Flat-Flat	580g
151452	MC203-150U					820g
151453	MC203-300U			5	Spherical-Flat	1980g



MICRO METER

MICRO METER STAND