

Standard Accessories

Reference bar, 1 pc.
(except for measuring range 0 to 25 mm models)
Spanner (301336), 1 pc.



Typical Indicator Choice

Dial indicator (0.01 mm)/2046SB

Dial indicator (0.001 mm)/2109SB-10

ABS Digimatic Indicator (0.01 mm)/543-400B

ABS Digimatic Indicator (0.001 mm)/543-390B

*1 Indicators with stems cannot be installed on this micrometer.

Indicator Type Micrometers SERIES 107

- Designed to mount a dial indicator for direct GO/±NG judgment on mass-produced parts.
- Anvil retracting trigger for quick measurement.
- Various kinds of indicators*1 are selectable depending on the measurement type (accuracy required, measuring range, etc.).
- Measuring faces: Carbide.
- Anvil stroke: 3 mm.



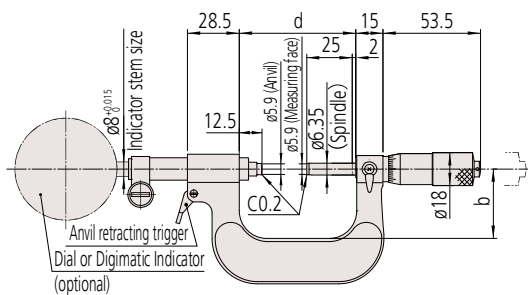
107-201
(Indicator shown is optional)

SPECIFICATIONS

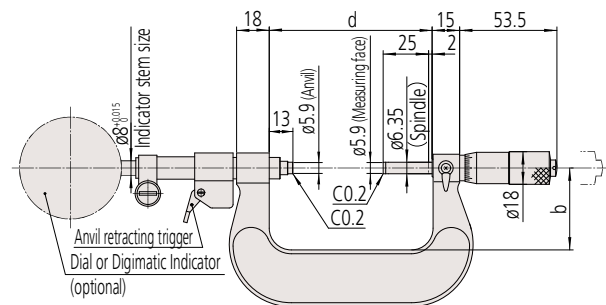
| Metric | | | | |
|-----------|------------|-------------------------|---------------|------------------|
| Order No. | Range (mm) | Spindle feed error (μm) | Flatness (μm) | Parallelism (μm) |
| 107-201 | 0 - 25 | 3 | 0.6 | 2 |
| 107-202 | 25 - 50 | | | |
| 107-203 | 50 - 75 | | | |
| 107-204 | 75 - 100 | | | 3 |
| 107-205 | 100 - 125 | | | |
| 107-206 | 125 - 150 | | | |
| 107-207 | 150 - 175 | | | 4 |
| 107-208 | 175 - 200 | | | |

DIMENSIONS

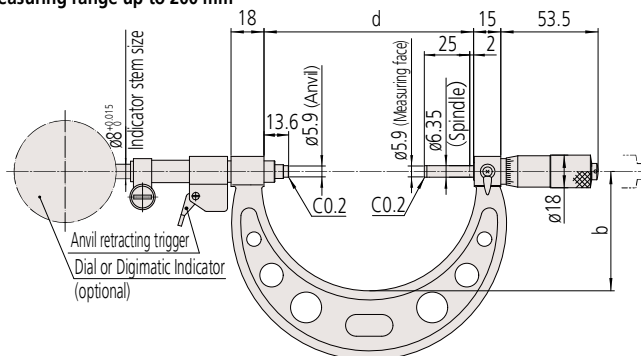
Measuring range up to 50 mm



Measuring range up to 75 mm



Measuring range up to 200 mm



| Range (mm) | b | d |
|------------|-----|-------|
| 0 - 25 | 30 | 39 |
| 25 - 50 | 38 | 64 |
| 50 - 75 | 45 | 89.5 |
| 75 - 100 | 65 | 115.1 |
| 100 - 125 | 79 | 140.1 |
| 125 - 150 | 93 | 165.1 |
| 150 - 175 | 105 | 190 |
| 175 - 200 | 118 | 214 |

Unit: mm