

# Autonics

## LCD Display PID Temperature Controller TX SERIES

### INSTRUCTION MANUAL



Thank you for choosing our Autonics product.  
Please read the following safety considerations before use.

#### Safety Considerations

Please observe all safety considerations for safe and proper product operation to avoid hazards. ⚠ symbol represents caution due to special circumstances in which hazards may occur.

- Warning** Failure to follow these instructions may result in serious injury or death.
- Caution** Failure to follow these instructions may result in personal injury or product damage.

#### Warning

- Fail-safe device must be installed when using the unit with machinery that may cause serious injury or substantial economic loss.** (e.g. nuclear power control, medical equipment, ships, vehicles, railways, aircraft, combustion apparatus, safety equipment, crime/disaster prevention devices, etc.) Failure to follow this instruction may result in fire, personal injury, or economic loss.
- Install on a device panel to use.** Failure to follow this instruction may result in electric shock.
- Do not connect, repair, or inspect the unit while connected to a power source.** Failure to follow this instruction may result in electric shock or fire.
- Check 'Connections' before wiring.** Failure to follow this instruction may result in fire or explosion.
- Do not disassemble or modify the unit.** Failure to follow this instruction may result in electric shock or fire.

#### Caution

- When connecting the power input and relay output, use AWG 20 (0.50mm<sup>2</sup>) cable or over and tighten the terminal screw with a tightening torque of 0.74 to 0.90Nm. When connecting the sensor input and communication cable without dedicated cable, use AWG 28 to 16 cable and tighten the terminal screw with a tightening torque of 0.74 to 0.90Nm. Failure to follow this instruction may result in fire or malfunction due to contact failure.
- Use the unit within the rated specifications.
- Use dry cloth to clean the unit, and do not use water or organic solvent. Failure to follow this instruction may result in electric shock or fire.
- Do not use the unit in the place where flammable/explosive/corrosive gas, humidity, direct sunlight, radiant heat, vibration, impact, or salinity may be present. Failure to follow this instruction may result in fire or explosion.
- Keep metal chip, dust, and wire residue from flowing into the unit. Failure to follow this instruction may result in fire or product damage.

#### Ordering Information

TX	4	S	-	1	4	R
Control output	R	Relay output				
S	SSR drive output					
C	Selectable current output or SSR drive output					
Power supply	4	100-240VAC 50/60Hz				
Option output	1	Alarm output 1				
	2	Alarm output 1+Alarm output 2				
	A	Alarm output 1+Alarm output 2+Trans. output				
	B	Alarm output 1+Alarm output 2+RS485 com. output				
Size	S	DIN W48×H48mm				
	M	DIN W72×H72mm				
	H	DIN W48×H96mm				
	L	DIN W96×H96mm				
Digit	4	9999(4-digit)				
Item	TX	LCD display PID temperature controller				

#### Input Type and Range

Input type	Decimal point	Display	Input range(°C)	Input range(°F)	
Thermocouple	K (CA)	1	HC RH	-50 to 1200	-58 to 2192
		0.1	HC RL	-50.0 to 999.9	-58.0 to 999.9
	J (IC)	1	JL CH	-30 to 800	-22 to 1472
		0.1	JL CL	-30.0 to 800.0	-22.0 to 999.9
	L (IC)	1	LL CH	-40 to 800	-40 to 1472
		0.1	LL CL	-40.0 to 800.0	-40.0 to 999.9
RTD	T (CC)	1	TC CH	-50 to 400	-58 to 752
		0.1	TC CL	-50.0 to 400.0	-58.0 to 752.0
	R (PR)	1	RPR	0 to 1700	32 to 3092
	S (PR)	1	SPP	0 to 1700	32 to 3092
DPT 100Ω		1	dPEH	-100 to 400	-148 to 752
		0.1	dPEL	-100.0 to 400.0	-148.0 to 752.0
	Cu50Ω	1	CUSH	-50 to 200	-58 to 392
		0.1	CUSL	-50.0 to 200.0	-58.0 to 392.0

The above specifications are subject to change and some models may be discontinued without notice. Be sure to follow cautions written in the instruction manual and the technical descriptions (catalog, homepage).

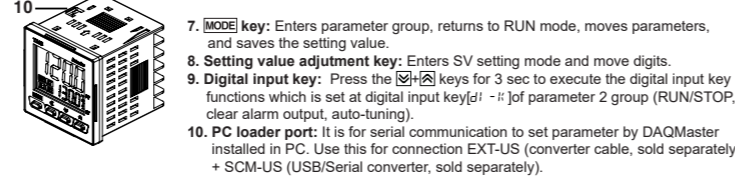
#### Specifications

Series	TX4S	TX4M	TX4H	TX4L
Power supply	100-240VAC~50/60Hz			
Allowable voltage range	90 to 110% of rated voltage			
Power consumption	Max. 8VA			
Display method	11-segments (PV: white, SV: green), other display (yellow) with LCD method <sup>※1</sup>			
Character size	PV(W×H) 7.2×14mm	10.7×17.3mm	7.2×15.8mm	16×26.8mm
SV(W×H)	3.9×7.6mm	6.8×11mm	6.2×13.7mm	10.7×17.8mm
Input type	RTD TC	K (CA), J (IC), L (IC), T (CC), R (PR), S (PR)		
Display accuracy <sup>※2</sup>	TC	At room temperature: (23°C±5°C): (PV ±0.3% or ±1°C, select the higher one) ±1-digit Out of room temperature: (PV ±0.5% or ±2°C, select the higher one) ±1-digit		
Control output	Relay	250VAC~3A, 30VDC= 3A, 1a		
	SSR	Max. 12VDC=±2V 20mA   Max. 13VDC= ±3V 20mA		
	Current	DC4-20mA or DC0-20mA (load resistance max. 500Ω)		
Alarm output	AL1, AL2	250VAC 3A~ , 30VDC 3A= 1a		
Option output	Trans. output	DC4-20mA (load resistance max. 500Ω, output accuracy: ±0.3%F.S.)		
	Com. output	RS485 communication output (Modbus RTU method)		
Control method	ON/OFF control, P, PI, PD, PID control			
Hysteresis	1 to 100°C/°F (0.1 to 50.0°C/°F) variable			
Proportional band(P)	0.1 to 999.9°C/°F			
Integral time(I)	0 to 9999 sec			
Derivative time(D)	0 to 9999 sec			
Control period(T)	0.5 to 120.0 sec			
Manual reset	0.0 to 100.0%			
Sampling period	50ms			
Dielectric strength	3,000VAC 50/60Hz for 1 min (between primary circuit and secondary circuit)			
Vibration	0.75mm amplitude at frequency 5 to 55Hz (for 1 min) in each X, Y, Z direction for 2 hours			
Relay	Mechanical	OUT, AL1/2: min 5,000,000 operations		
life cycle	Electrical	OUT, AL1/2: min 200,000 (250VAC 3A resistance load)		
Insulation resistance	Min. 100MΩ (at 500VDC megger)			
Noise resistance	Square shaped noise by noise simulator (pulse width 1μs) ±2kV R-phase, S-phase			
Memory retention	Approx. 10 years (non-volatile semiconductor memory type)			
Environment	Ambient temp.	-10 to 50°C, storage: -20 to 60°C		
	Ambient humi.	35 to 85%RH, storage: 35 to 85%RH		
Protection structure	IP50 (front panel, IEC standards)			
Insulation type	Double insulation (mark:  dielectric strength between primary circuit and secondary circuit: 3kV)			
Approval	CE,			
Weight <sup>※3</sup>	Approx. 146.1g (approx. 86.7g)	Approx. 233g (approx. 143g)	Approx. 214g (approx. 133g)	Approx. 290g (approx. 206g)

- ※1: When using the unit at low temperature (below 0°C), display cycle is slow. Control output operates normally.
- ※2: At room temperature(23°C±5°C)
  - TC R(PR), S(PR), below 200°C: (PV ±0.5% or ±3°C, select the higher one) ±1-digit, over 200°C: (PV ±0.5% or ±2°C, select the higher one) ±1-digit
  - TC L(IC), RTD Cu50Ω: (PV ±0.5% or ±2°C, select the higher one) ±1-digit
  - Out of room temperature range
    - TC R(PR), S(PR): (PV ±1.0% or ±5°C, select the higher one) ±1-digit
    - TC L(IC), RTD Cu50Ω: (PV ±0.5% or ±3°C, select the higher one) ±1-digit
- ※3: The weight includes packaging. The weight in parenthesis is for unit only.
- ※Environment resistance is rated at no freezing or condensation.

#### Unit Description

- Measured value (PV) component:** RUN mode: Displays current measured value (PV). SETTING mode: Displays parameters.
- Temperature unit(°C/°F) indicator:** Displays the set temperature unit as temperature unit [UNIT] of parameter 2 group.
- Setting value (SV) display component:** RUN mode: Displays setting value(SV). SETTING mode: Displays setting value of parameter.
- Auto-tuning indicator:** Flashes during auto-tuning every 1 sec.
- Control output (OUT) indicator:** Turns ON while control output is ON. ※Turns ON when MV is over 3.0% at cycle/phase control of SSR drive output method.
- Alarm output (AL1, AL2) indicator:** Turns ON when the corresponding alarm output turns ON.



#### Installation

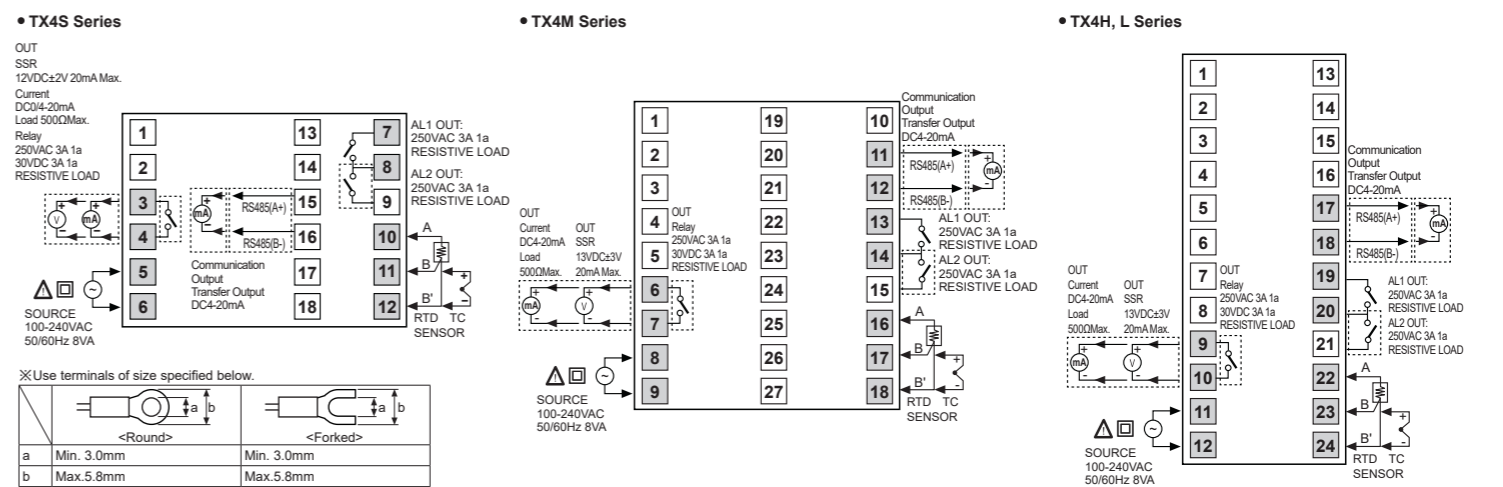
- TX4S (48×48mm) series
  - Other series
- Insert the unit into a panel, fasten the bracket by pushing with tools with a (-) driver.

#### Comprehensive Device Management Program[DAQMaster]

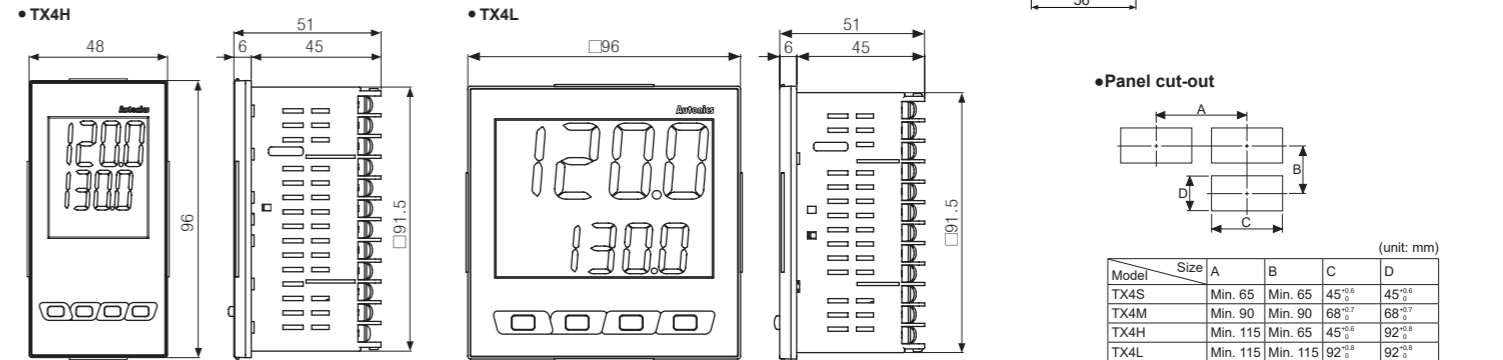
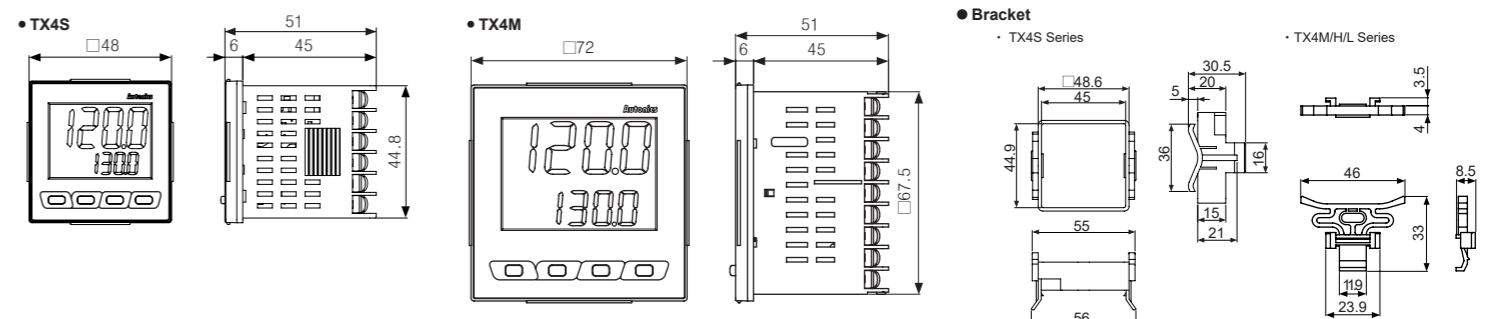
DAQMaster is a comprehensive device management software for setting parameters and monitoring processes. DAQMaster can be downloaded from our web site at [www.autonics.com](http://www.autonics.com).

Item	Minimum specifications
System	IBM PC compatible computer with Pentium III or above
Operations	Windows 98/NT/XP/Vista/7/8/10
Memory	256MB+
Hard disk	1GB+ of available hard disk space
VGA	Resolution: 1024×768 or higher
Others	RS232C serial port (9-pin), USB port

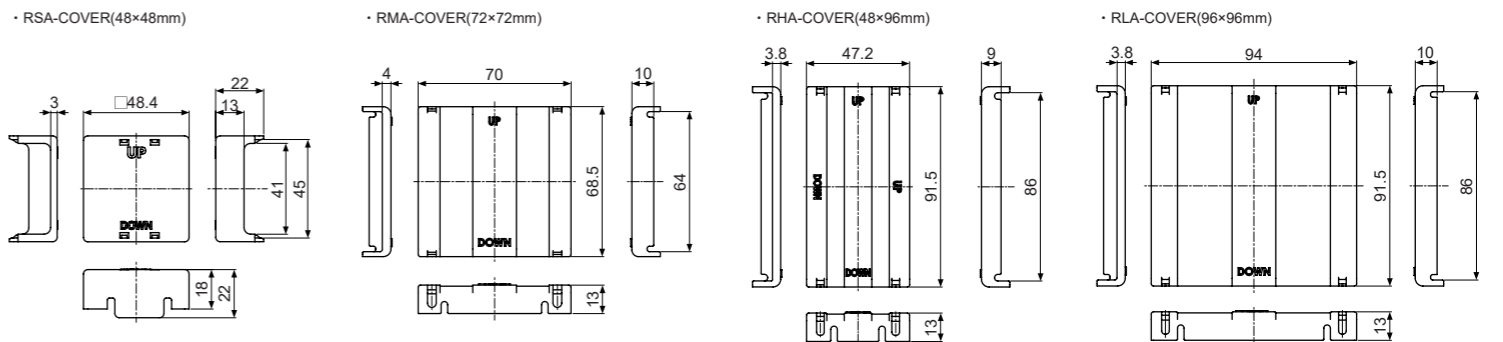
#### Connections



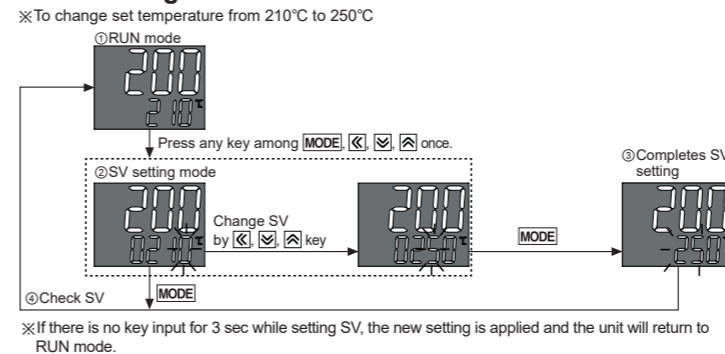
#### Dimensions



#### Terminal cover (sold separately)



#### SV Setting



#### Factory Default

SV setting

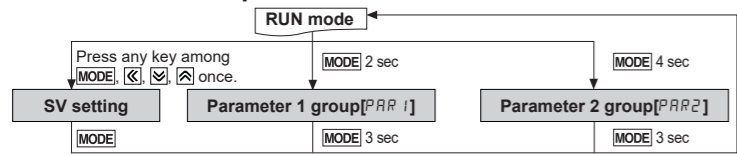
Parameter	Factory default
RL1	1250
RL2	1250
AL1	OFF
P	10.0
I	240
d	4.9
RESET	50.0
HYS	2

#### Parameter 2 group

Parameter	Factory default	Parameter	Factory default
IN-E	KCH	RY5	1
UNI-E	°C	LbRE	0
IN-b	0	LbRB	2
MARF	0.1	F5-L	-50
L-SV	-50	F5-H	1200
H-SV	1200	AdRS	1
o-FE	HEFE	bPS	96
C-Md	PI d	PRPY	NOPE
oUE	CURR	StP	2
SSRM	StNd	RSWE	20
oMR	4-20	CoMW	ENR
t	200 (Relay)	d1-K	St oP
	20 (SSR drive)	ERMV	00
AL-1	AM1A	LoC	oFF
AL-2	AM2A		



## Parameter Groups



- Order of parameter setup: Parameter 2 group → Parameter 1 group → SV setting
- All parameters are related one another. Set the parameters as above order.
- If there is no key input for 30 sec while setting parameters, the new settings are ignored, and the unit will return to RUN mode with previous settings.
- When returning to RUN mode by holding the **MODE** key for over 3 sec, press the **MODE** key within 1 sec to re-enter the first parameter of previous parameter group.
- Hold the **MODE** key for 5 sec in RUN mode, to enter re-set parameter menu. Select 'RES' and all parameters are reset as factory default.

### Parameter 2 group

※1: Press any key among [OK], [F1], [F2].  
 ※2: Press the **MODE** key once after changing the setting value, to save the setting value and move to the next parameter.  
 ※Hold the **MODE** key for 3 sec to save the setting value and return to RUN mode after changing the setting value.  
 ※Dotted parameters may not appear by model type or other parameter settings.

Setting range: Refer to 'Input Type And Range'.  
 ※When changing the setting value, SV, [N-b, H-5V, L-5V, RL1, RL2, LbRb, RHYS] parameters of parameter 2 group are reset.  
 ※When changing the setting value, SV, [N-b, H-5V, L-5V, RL1, RL2, LbRb, RHYS] parameters of parameter 2 group are reset.

Setting range: -999 to 999°C/F (-199.9 to 999.9°C/F)

Setting range: 0.1 to 120.0 sec

Setting range: Within temperature range of each sensor [H-5V ±(L-5V + 1digit)]  
 ※When changing the setting value, and SV > H-5V, SV is reset as H-5V.

Setting range: 0.1 to 120.0 sec

Setting range: 0.5 to 120.0 sec  
 ※Appears only when control method [C-Md] is PId.  
 ※Does not appear when SSR drive output is set as CYCL or PHAS.

Setting range: 1 to 100°C/F (0.1 to 50.0°C/F)  
 ※Does not appear when AL1/AL2 alarm operation [RL-1, RL-2] is set as RH0, /5bR□/LbR□.

Setting range: 0 to 9999 sec (automatically set during auto-tuning)  
 ※Appears only when alarm operation [RL-1, RL-2] is set as LbR□.

Setting range: Refer to 'Input Type And Range'.  
 ※Appears only in transmission output model (TX4□-A4□).

Setting range: 1 to 127

Setting range: 24, 48, 96, 192, 384 bps  
 Multiply 100 to read the setting value.

Setting range: 5 to 99ms

Setting range: 0.0 to 100.0%  
 ※Only 00 (OFF) 100.00 (ON) appear when control method [C-Md] is set as oHnF.  
 ※When control method [C-Md] is changing PId → oHnF and the setting value is below 100.0, it is reset as 00.

Setting range: oFF Unlock  
 LoC1 Parameter 2 group lock  
 LoC2 Parameter 1,2 group lock  
 LoC3 Parameter 1,2 group, SV setting lock

### Parameter 1 group

Setting range: Deviation alarm (-F.S) to [F.S].  
 Absolute value alarm (temperature range)  
 ※Does not appear when AL1/AL2 alarm operation [RL-1, RL-2] of parameter 2 group is set as RH0, /5bR□/LbR□.  
 ※Only alarm output 2 models have [RL2].

Setting range: 0.1 to 999.9°C/F

Setting range: 0 to 9999 sec  
 ※Integral operation will be OFF when the setting value is '0'

Setting range: 0 to 9999 sec  
 ※Derivative operation will be OFF when the setting value is '0'

Setting range: 0.0 to 100.0%  
 ※Only appears in P, PD control.

Setting range: 1 to 100°C/F (0.1 to 50.0°C/F)  
 ※Only appears when control method [C-Md] of parameter 2 group is set as oHnF.

### Alarm [AL-1/AL-2]

Set both alarm operation and alarm option by combining. Each alarm operates individually in two alarm output models. When the current temperature is out of alarm range, alarm clears automatically. If alarm option is alarm latch or alarm latch and standby sequence 1/2, press digital input key [d1-k] 3 sec, digital input key [d1-k] of parameter 2 group set as RLRE, or turn OFF the power and turn ON to clear alarm.

Mode	Name	Alarm operation	Description
RH0□	-	-	No alarm output
RH1□	Deviation high-limit alarm	OFF → ON (High-limit deviation: Set as 10°C) ON → OFF (High-limit deviation: Set as -10°C)	If deviation between PV and SV as high-limit is higher than set value of deviation temperature, the alarm output will be ON.
RH2□	Deviation low-limit alarm	ON → OFF (Low-limit deviation: Set as 10°C) OFF → ON (Low-limit deviation: Set as -10°C)	If deviation between PV and SV as low-limit is higher than set value of deviation temperature, the alarm output will be ON.
RH3□	Deviation high/low-limit alarm	ON → OFF (High, Low-limit deviation: Set as 10°C)	If deviation between PV and SV as high/low-limit is higher than set value of deviation temperature, the alarm output will be ON.
RH4□	Deviation high/low-limit reserve alarm	OFF → ON (High, Low-limit deviation: Set as 10°C)	If deviation between PV and SV as high/low-limit is higher than set value of deviation temperature, the alarm output will be OFF.
RH5□	Absolute value high limit alarm	OFF → ON (Alarm absolute-value: Set as 90°C) ON → OFF (Alarm absolute-value: Set as 110°C)	If PV is higher than the absolute value, the output will be ON.
RH6□	Absolute value low limit alarm	ON → OFF (Alarm absolute-value: Set as 90°C) OFF → ON (Alarm absolute-value: Set as 110°C)	If PV is lower than the absolute value, the output will be ON.
SbR□	Sensor break alarm	-	It will be ON when it detects sensor disconnection.
LbR□	Loop break alarm	-	It will be ON when it detects loop break.

※H: Alarm output hysteresis [RHYS]

#### Alarm option

Option	Name	Description
RH□A	Standard alarm	If it is an alarm condition, alarm output is ON. If it is a clear alarm condition, alarm output is OFF.
RH□b	Alarm latch	If it is an alarm condition, alarm output is ON and maintains ON status. (Alarm HOLD)
RH□C	Standby sequence 1	First alarm condition is ignored and from second alarm condition, standard alarm operates. When power is supplied and it is an alarm condition, this first alarm condition is ignored and from the second alarm condition, standard alarm operates.
RH□d	Alarm latch and standby sequence 1	If it is an alarm condition, it operates both alarm latch and standby sequence. When power is supplied and it is an alarm condition, this first alarm condition is ignored and from the second alarm condition, alarm latch operates.
RH□E	Standby sequence 2	First alarm condition is ignored and from second alarm condition, standard alarm operates. When re-applied standby sequence and if it is alarm condition, alarm output does not turn ON. After clearing alarm condition, standard alarm operates.
RH□F	Alarm latch and standby sequence 2	Basic operation is same as alarm latch and standby sequence 1. It operates not only by power ON/OFF, but also alarm setting value, or alarm option changing. When re-applied standby sequence and if it is alarm condition, alarm output does not turn ON. After clearing alarm condition, alarm latch operates.

※Condition of re-applied standby sequence for standby sequence 1, alarm latch and standby sequence 1: Power ON  
 Condition of re-applied standby sequence for standby sequence 2, alarm latch and standby sequence 2: Power ON, changing set temperature, alarm temperature [RL-1, RL-2] or alarm operation [RL-1, RL-2], switching STOP mode to RUN mode.

#### Sensor break alarm

The function that alarm output will be ON when sensor is not connected or when sensor's disconnection is detected during temperature controlling. You can check whether the sensor is connected with buzzer or other units using alarm output contact. It is selectable between standard alarm [SbR□] or alarm latch [LbR□].

## Functions

### Input correction [N-b]

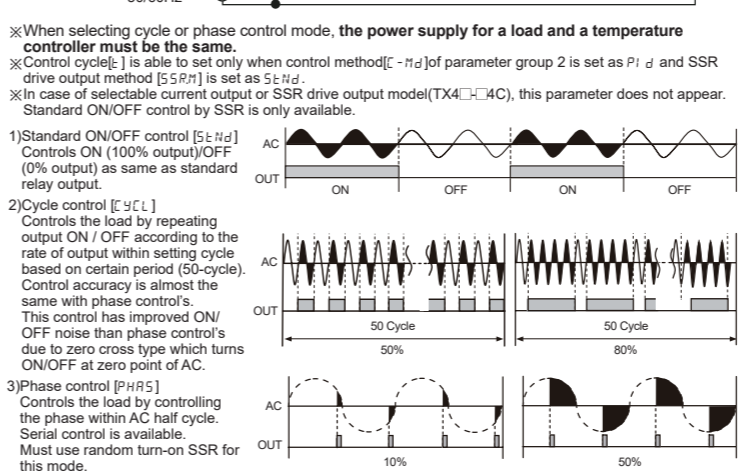
Controller itself does not have errors but there may be error by external input temperature sensor. This function is for correcting this error.  
 Ex) If actual temperature is 80°C but controller displays 78°C, set input correction value [N-b] as '2' and controller displays 80°C.  
 ※As the result of input correction, if current temperature value (PV) is over each temperature range of input sensor, it displays HHHH or LLLL.

### Input digital filter [HrF]

If current temperature (PV) is fluctuating repeatedly by rapid change of input signal, it reflects to MV and stable control is impossible. Therefore, digital filter function stabilizes current temperature value.  
 For example, set input digital filter value as 0.4 sec, and it applies digital filter to input values during 0.4 sec and displays these values. Current temperature may be different by actual input value.

### SSR drive output method (SSRP function) [5SRM]

SSRP function is selectable one of standard ON/OFF control, cycle control, phase control by utilizing standard SSR drive output.  
 This function parameter appears only in SSR drive output model (TX4□-4S).  
 Realizing high accuracy and cost effective temperature control with both current output (4-20mA) and linear output (cycle control and phase control)  
 Select one of standard ON/OFF control [5tNd], cycle control [CYCL], phase control [PHAS] at 5SRM parameter of parameter 2 group. For cycle control, connect a zero cross turn-on SSR or random turn-on SSR. For phase control, connect random turn-on SSR.



### Current output range [oHrA]

In case of selectable current output or SSR drive output model (TX4□-4C), when control output [oUe] of parameter 2 group is set as CURP, you can select high/low-limit range, 4-20mA [4-20] or 0-20mA [0-20] of current output.

### Hysteresis [HYS]

Set interval between ON and OFF of control output for ON/OFF control.  
 If hysteresis is too narrow, hunting (oscillation, chattering) could occur due to external noise.  
 In case of ON/OFF control mode, even if PV reaches stable status, there still occurs hunting. It could be due to hysteresis [HYS] setting value, load's response characteristics or sensor's location. In order to reduce hunting to a minimum, it is required to take into following factors consideration when designing temp. controlling: proper Hysteresis [HYS], heater's capacity, thermal characteristics, sensor's response and location.

### Loop break alarm (LBA)

It checks control loop and outputs alarm by temperature change of the subject. For heating control (cooling control), when control output MV is 100% (0% for cooling control) and PV is not increased over than LBA detection band [LbR□] during LBA monitoring time [LbR□], or when control output MV is 0% (100% for cooling control) and PV is not decreased below than LBA detection band [LbR□] during LBA monitoring time [LbR□], alarm output turns ON.

Start control to ① When control output MV is 100%, PV is increased over than LBA detection band [LbR□] during LBA monitoring time [LbR□].  
 ① to ② The status of changing control output MV (LBA monitoring time is reset.)  
 ② to ③ When control output MV is 0% and PV is not decreased below than LBA detection band [LbR□] during LBA monitoring time [LbR□], loop break alarm (LBA) turns ON after LBA monitoring time.  
 ③ to ④ Control output MV is 0% and loop break alarm (LBA) turns and maintains ON.  
 ④ to ⑥ The status of changing control output MV (LBA monitoring time is reset.)  
 ⑥ to ⑦ When control output MV is 100% and PV is not increased over than LBA detection band [LbR□] during LBA monitoring time [LbR□], loop break alarm (LBA) turns ON after LBA monitoring time.  
 ⑦ to ⑧ When control output MV is 100% and PV is increased over than LBA detection band [LbR□] during LBA monitoring time [LbR□], loop break alarm (LBA) turns OFF after LBA monitoring time.  
 ⑧ to ⑨ The status of changing control output MV (LBA monitoring time is reset.)

※When executing auto-tuning, LBA detection band [LbR□] and LBA monitoring time are automatically set based on auto tuning value. When alarm operation mode [RL-1, RL-2] is set as loop break alarm (LBA) [LbR□], LBA detection band [LbR□] and LBA monitoring time [LbR□] parameter is displayed.

## Digital input key [d1-k] + 3 sec [d1-k]

Parameter	Operation
OFF	oFF It does not use digital input key function.
RUN/STOP	5t oP Pauses control output. Auxiliary output (except loop break alarm, sensor break alarm) except control output operates as setting. Hold the digital input keys for 3 sec to restart. (t: over 3 sec)
Clear alarm	RLRE Clears alarm output by force. (Only when alarm option is alarm latch, or alarm latch and standby sequence 1/2.) This function is applied when present value is out of alarm operation range but alarm output is ON. Alarm operates normally right after clearing alarm.
Auto-tuning	Rt Starts/Stops auto-tuning. This function is same as auto-tuning [Rt] of parameter 1 group. (You can start auto-tuning [Rt] of parameter 1 group and stop it by digital input key.) ※This parameter Rt appears only when control method [C-Md] parameter 2 group is set as PId. When control method [C-Md] parameter 2 group is set as oHnF, this parameter is changed as oFF.

### Control output MV for input break [ERMV]

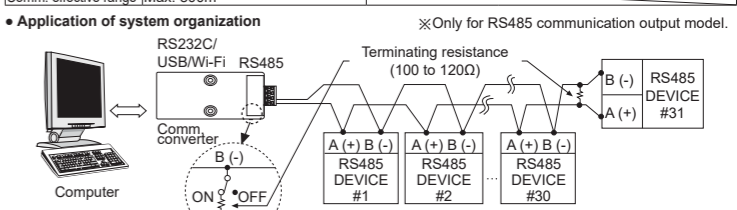
When input sensor is break, set control output MV.  
 When control method [C-Md] of parameter 2 group is set as oHnF, set control output MV as 00 (OFF) or 1000 (ON). When control method [C-Md] is set as PId, setting range for control output MV is 00 to 1000.

## Communication Setting

It is for parameter setting and monitoring via external devices (PC, PLC, etc.).  
 Applicable for models with RS485 communication output through option output (TX4□-B4□).  
 Please refer to 'Ordering Information'.

### Interface

Comm. protocol	Modbus RTU	Comm. speed	4800, 9600 (default), 19200, 38400, 115200 bps
Connection type	RS485	Response waiting time	5 to 99ms (default: 20ms)
Application standard	EIA RS485 Compliance with	Start bit	1-bit (fixed)
Max. connection	31 units (address: 01 to 127)	Data bit	8-bit (fixed)
Synchronous method	Asynchronous	Parity bit	None (default), Odd, Even
Comm. method	Two-wire half duplex	Stop bit	1-bit, 2-bit (default)
Comm. effective range	Max. 800m		



It is recommended to use Autonics communication converter: SCM-WF48 (Wi-Fi to RS485-USB wireless communication converter, sold separately), SCM-U481 (USB to RS485 converter, sold separately), SCM-381 (RS232C to RS485 converter, sold separately), SCM-US (USB to Serial converter, sold separately).  
 Please use twisted pair wire, which is suitable for RS485 communication, for SCM-WF48, SCM-U481 and SCM-381.

## Manual

For the detail information and instructions of communication setting and Modbus mapping table, please refer to user manual for communication, and be sure to follow cautions written in the technical descriptions (catalog, homepage).  
 Visit our homepage (www.autonics.com) to download manuals.

## Error

Display	Description	Troubleshooting
oPEN	Flashes when input sensor is disconnected or sensor is not connected.	Check input sensor status.
HHHH	Flashes when measured value is higher than input range.	When input is within the rated input range, this display disappears.
LLLL	Flashes when measured value is lower than input range.	

## Cautions during Use

- Follow instructions in 'Cautions during Use'. Otherwise, it may cause unexpected accidents.
- Check the polarity of the terminals before wiring the temperature sensor.
- For RTD temperature sensor, wire it as 3-wire type, using cables in same thickness and length. For thermocouple (CT) temperature sensor, use the designated compensation wire for extending wire.
- Keep away from high voltage lines or power lines to prevent inductive noise. In case installing power line and input signal line closely, use line filter or varistor at power line and shielded wire at input signal line.
- Do not use near the equipment which generates strong magnetic force or high frequency noise.
- Do not apply excessive power when connecting or disconnecting the connectors of the product.
- Install a power switch or circuit breaker in the easily accessible place for supplying or disconnecting the power.
- Do not use the unit for other purpose (e.g. voltmeter, ammeter), but temperature controller.
- When changing the input sensor, turn off the power first before changing. After changing the input sensor, modify the value of the corresponding parameter.
- Do not overlapping communication line and power line.
- Use twisted pair wire for communication line and connect ferrite bead at each end of line to reduce the effect of external noise.
- Make a required space around the unit for radiation of heat. For accurate temperature measurement, warm up the unit over 20 min after turning on the power.
- Make sure that power supply voltage reaches to the rated voltage within 2 sec after supplying power.
- Do not wire to terminals which are not used.
- This unit may be used in the following environments.
  - Indoors (in the environment condition rated in 'Specifications')
  - Altitude max. 2,000m
  - Pollution degree 2
  - Installation category II

## Major Products

- Photoelectric Sensors
- Fiber Optic Sensors
- Door Sensors
- Door Side Sensors
- Area Sensors
- Proximity Sensors
- Pressure Sensors
- Rotary Encoders
- Connector/Sockets
- Switching Mode Power Supplies
- Control Switches/Lamps/Buzzers
- I/O Terminal Blocks & Cables
- Stepper Motors/Drivers/Motion Controllers
- Graphic/Logic Panels
- Field Network Devices
- Laser Marking System (Fiber, Co, Nd:Yag)
- Laser Welding/Cutting System
- Temperature Controllers
- Temperature/Humidity Transducers
- SSRP/Power Controllers
- Counters
- Timers
- Panel Meters
- Tachometer/Pulse(Rate)/Meters
- Display Units
- Sensor Controllers

**Autonics Corporation**  
<http://www.autonics.com>

HEADQUARTERS:  
 18, Banson-ro 513beon-gil, Haendae-gu, Busan, South Korea, 48002  
 TEL: 82-51-619-3232  
 E-mail: sales@autonics.com

DRW170805AF