

SOLON

Since 1992

LIMIT SWITCH 限動開關

ML series



ISO 9001:2000

Made In Taiwan



使用壽命1000萬次以上
多款致動方式選擇

Limit Switch

符合 IP-64 防護

符合 IEC AC-15, EN 60947-5-1



SOLON Enterprise Co., Ltd.
洋健企業股份有限公司
www.solon.com.tw

Limit Switch 限動開關

Features 特色:

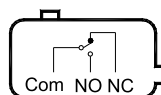
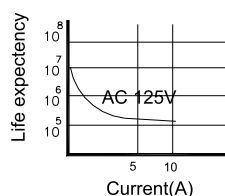
1. Compact design fits in tight spaces; popular 1-inch center side mount.
節省空間之出色設計,符合1英寸之通用裝配尺寸
2. Twelve available actuator types.
12種不同之致動方式
3. Operation indicating Neon lamp available
可加裝指示用之霓虹燈
4. IP60 or IP64 protective plastic housings
防護等級 IP60 或 IP64 之塑膠外殼保護
5. Output contact (1FormC) rating: 額定輸出規格
10Amps@250/125VAC, 0.4Amps@115VDC
6. Standard screw connect terminals with snap cover
or optional epoxy sealed cable
標準端子螺絲附保護蓋或選用矽膠電線鎖付



Specifications 規格:

1. Contact type 接點型式: 1a1b
2. Contact resistance 接觸電阻(Initial 初始): 20mΩ max.
3. Insulating resistance 絕緣電阻(Initial 初始): 100MΩ @500VDC
4. Dielectric strength 耐電壓:
 - between non-continuous terminals 非同極端子間: 1,500VAC/1minute, 50/60Hz.
 - between current-carrying metal parts and ground,
and between each terminal and non-current-carrying parts
(導電部及接地間, 各端子及非導電部間): 2,000VAC/1 minute, 50/60Hz.
5. Vibration resistance 耐震(Malfunction 耐久): 55Hz max. @1.5mm, double amplitude.
6. Shock resistance 耐衝擊(Malfunction 耐久): 98m/s @10G max.
(Destruction 失效): 294m/s@30G max.
7. Ambient temperature 適用環境溫度: -20°C to +60°C @ RH 90% max. 20°C
8. Life expectancy 使用壽命:
 - Mechanical 機械性 - 10,000,000 operations min. (120 cpm)
 - Electrical 電氣性 - 200,000 operations min. (120 cpm)
9. Operating frequency 動作頻率: 120 operations/minute. 次/分

Operating characteristics 動作特性:



Order Information:

ML - □ □ □ □ □ □

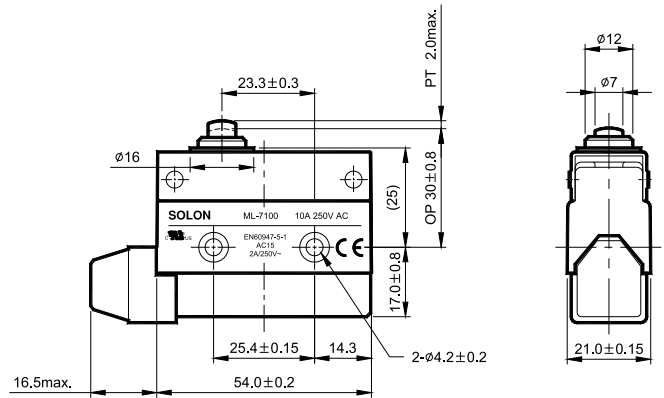
Dimensions:

Limit Switch 限動開關

ML-7100



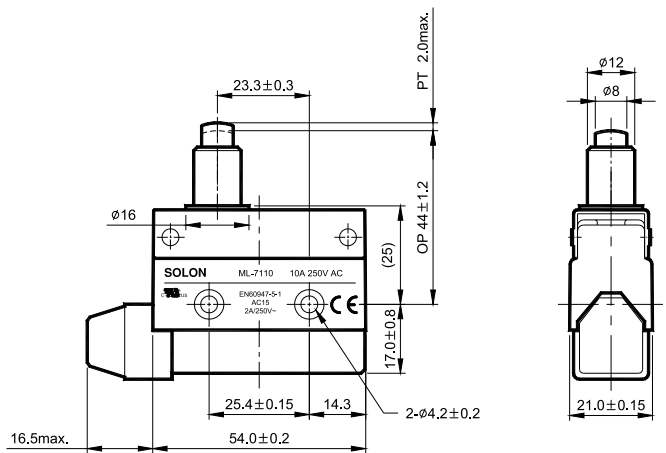
O.F. N(gf) max.	R.F. N(gf) min.	P.T. mm max.	M.D. mm max.	O.T. mm max.	O.P. (mm)
5.88(600)	0.98(100)	2.0	0.8	0.8	30 ± 0.8



ML-7110



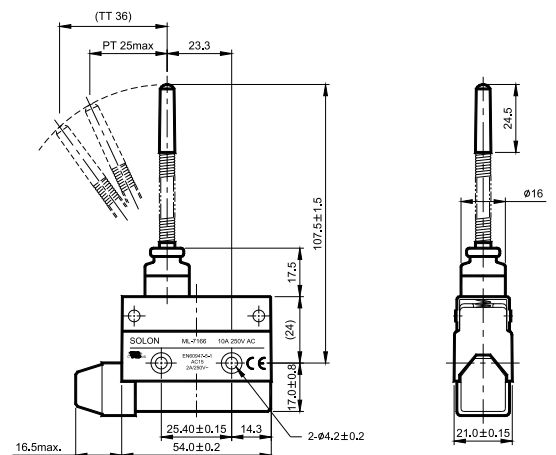
O.F. N(gf) max.	R.F. N(gf) min.	P.T. mm max.	M.D. mm max.	O.T. mm max.	O.P. (mm)
5.88(600)	0.98(100)	2.0	0.8	5.8	44 ± 1.2



ML-7166



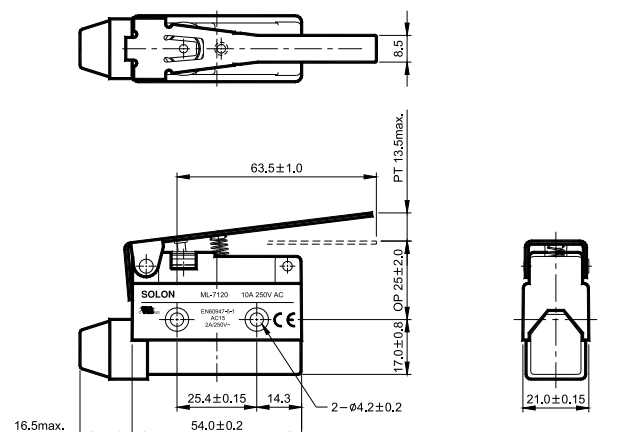
O.F. N(gf) max.	R.F. N(gf) min.	P.T. mm max.	M.D. mm max.	O.T. mm max.	O.P. (mm)
1.18(120)	X	25.0	X	11	36



ML-7120



O.F. N(gf) max.	R.F. N(gf) min.	P.T. mm max.	M.D. mm max.	O.T. mm max.	O.P. (mm)
1.47(150)	0.39(40)	13.5	3.2	4.0	40 ± 1.6



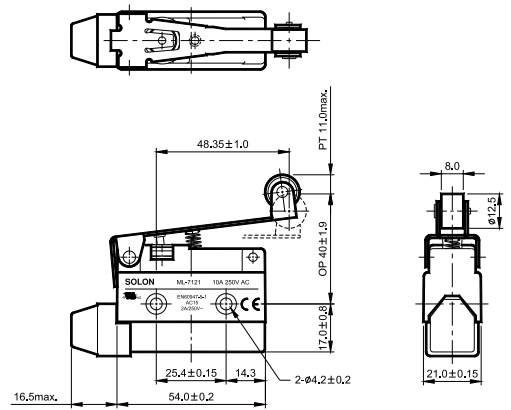
Limit Switch 限動開關

Dimensions:

ML-7121



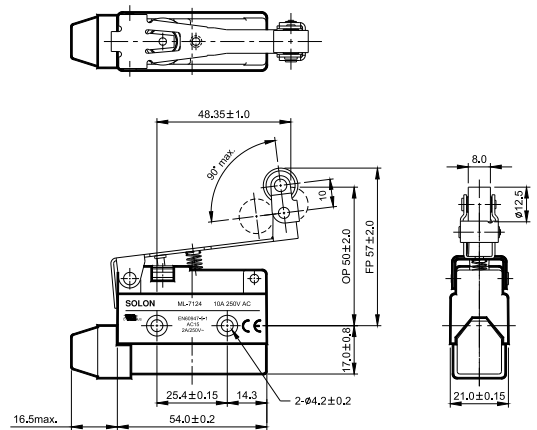
O.F. N(gf) max.	R.F. N(gf) min.	P.T. mm max.	M.D. mm max.	O.T. mm max.	O.P (mm)
1.77(180)	0.49(50)	11.0	2.4	3.0	40 ± 1.9



ML-7124



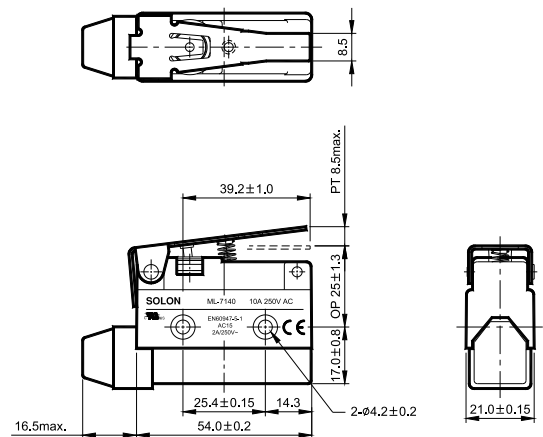
O.F. N(gf) max.	R.F. N(gf) min.	P.T. mm max.	M.D. mm max.	O.T. mm max.	O.P (mm)
1.96(200)	0.59(60)	8.5	2.0	2.5	25 ± 1.3



ML-7140



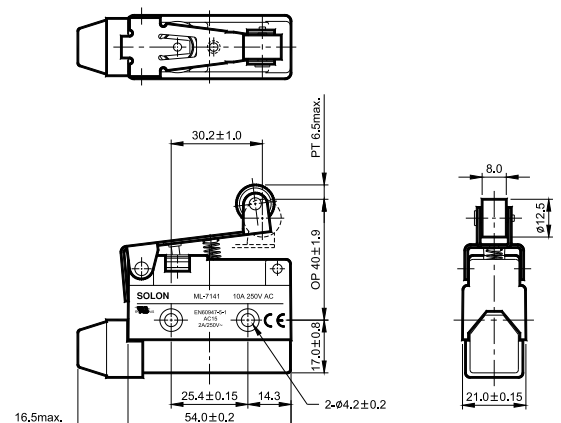
O.F. N(gf) max.	R.F. N(gf) min.	P.T. mm max.	M.D. mm max.	O.T. mm max.	O.P (mm)
2.16(220)	0.59(60)	8.5	2.0	2.5	25 ± 1.3



ML-7141



O.F. N(gf) max.	R.F. N(gf) min.	P.T. mm max.	M.D. mm max.	O.T. mm max.	O.P (mm)
2.35(240)	0.78(80)	6.5	1.5	2.0	40 ± 1.6



ML 系列

Rating (額定輸出規格): 10 Amps @250/125VAC, 0.4 Amps @115VDC



ML-7100



ML-7110



ML-7166



ML-7120



ML-7121



ML-7311



ML-7124



ML-7140



ML-7141



ML-7144



ML-7310



ML-7312

AM 系列

Rating (額定輸出規格): 15 Amps @250/125VAC, 0.5 Amps @125VDC



AM-1305



AM-1306



AM-1307



AM-1308



AM-1309



AM-1701



AM-1702



AM-1704



AP-Z

VL 系列

Rating (額定輸出規格): 5 Amps @250/125VAC, 0.4 Amps @125VDC



VL-8111



VL-8112



VL-8122



VL-8104



VL-8107



VL-8108



VL-8166



VL-8169

SL 系列

Rating (額定輸出規格): 2 Amps @250VAC, NEMA A300



SL-5101



SL-5102



SL-5104



SL-5104N



SL-5105



SL-5106



SL-5107



SL-5107N



SL-5108



SL-5108N