

LOUVERED FAN GUARDS

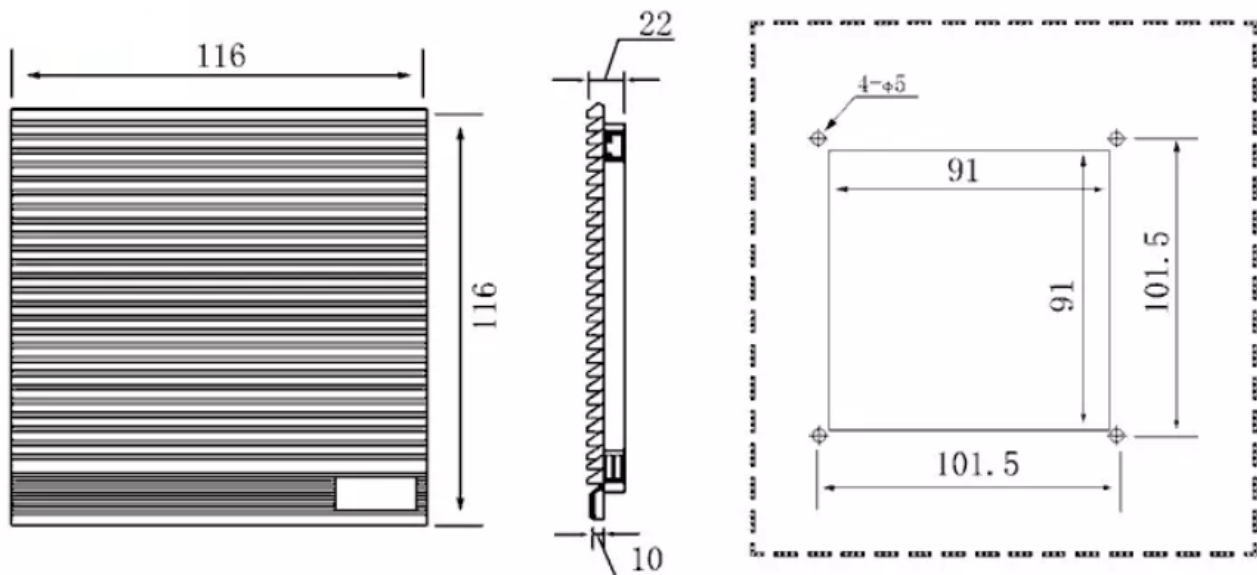


- Exhaust fan dust filter: ZL-802, ZL-803, ZL-804, ZL-805 used to prevent dust and water jet from splashing into the exhaust fan.
- Material: ABS plastic
- Color: black, white
- For fans: 90x90mm, 120x120mm, 150x150mm, 172x150mm, 200x200mm
- Degree of protection: IP44

1. ZL-802

- + Outer dimension: 116x116mm
- + Panel cutout size: 91x91mm
- + Use for fan: 90x90mm

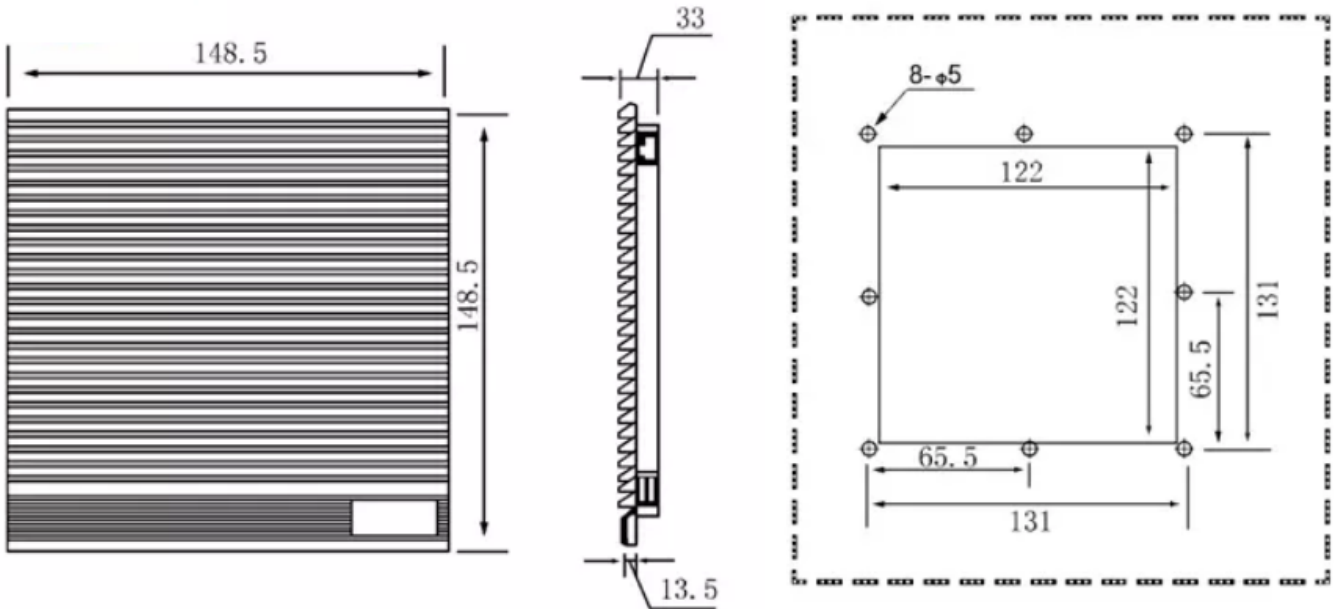
ZL-802



2. ZL-803

- + Outer dimension : 148.5×148.5mm
- + Panel cutout size: 122x122mm
- + Use for fan: 120x120mm

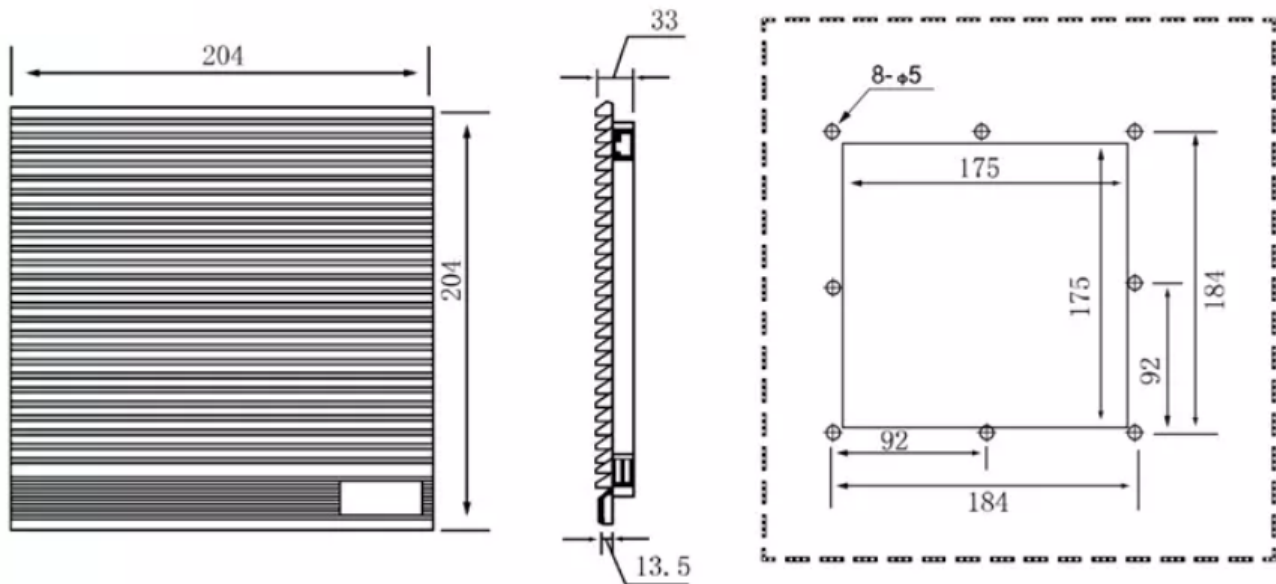
ZL-803



3. ZL-804

- + Outer dimension : 204×204mm
- + Panel cutout size: 175x175mm
- + Use for fan: 120x120mm, 150x150mm, 172x150mm

ZL-804



4. ZL-805

+ Outer dimension : 255×255mm

+ Panel cutout size: 223x223mm

+ Use for fan: 200x200mm

ZL-805

