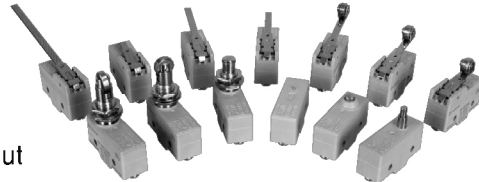


# HY-700 series

## Micro switch

- Certain operation and long life expectancy due to the snap action tool and strong chemical resistance case (phenolic resin)
- Excellent repetitive accuracy and 10A opening / closing capacity
- Standard type, hole gap of installation cutout dimension : 25.4mm, fix with M4 bolt
- 9 types of actuators provide wide usages
- Terminal protective cover (optional)



### Specification

Contact structure	M4-5.5 screw tightening, 1c contact	
Contact material	AgCdO	
Protective structure	Standard type	
Rated current(Ie)	10 A 250 V a.c	
Dielectric strength	2,000 V a.c 50/60 Hz for 1min (between the terminal and non-recharging metal part)	
Insulation resistance	Min 100 M $\Omega$ (500 V d.c insulated ohmmeter)	
Contact resistance	Max 50 M $\Omega$ (default value)	
Rated voltage(Ue)	250 V a.c	
Vibration	Double amplitude 1.5mm, frequency 10 ~ 55 Hz, continuously 2 hour	
Shock	100 % (durability), 50 % (malfunction)	
Allowable operation speed	0.1 % ~ 1 %	
Life expectancy	Mechanical	Min 1 million times (less than open/close frequency 120 times/min)
	Electrical	Min 300 thousand times (less than open/close frequency 20 times/min)
Ambient temperature	-10 ~ 80 °C	
Ambient humidity	25 ~ 95 % R.H.	
Weight	Approx 800g (10 HY-R704B 1 box)	


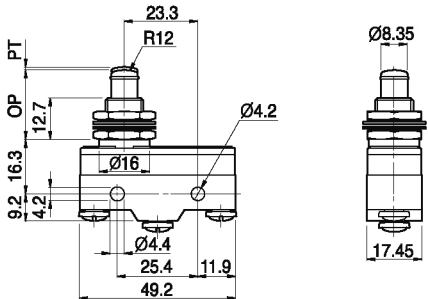
### Terminal arrangement

Appearance	Connection diagram


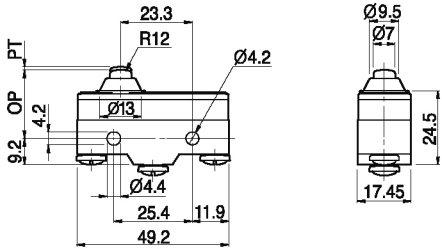
- Control switch  
Combination display light
- Power switch  
Main switch  
Cam switch
- Limit switch  
Micro switch
- Hoist switch  
Foot switch  
Mono lever switch
- Sign tower  
Signal light
- Buzzer  
Terminal block  
Fuse holder
- Control box  
Cable connector
- Discontinued Products

Dimension (unit : mm)


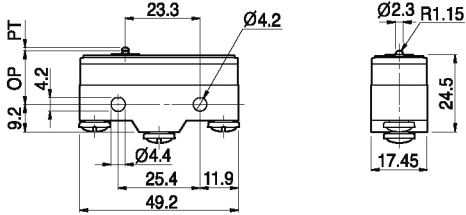
■ Panel mounting type

Appearance	Dimension	Operation characteristic
 <p>HY-P701A (Z4G1P05B)</p>		<p>O,F max : 3.73 N (380 gf)                      R,F min : 1.12 N (114 gf)                      P.T max : 1.0 mm                      O.T min : 5.2 mm                      M.D max : 0.13 mm                      O,P : 21.8 ±0.8 mm</p>

■ Spring single push button type


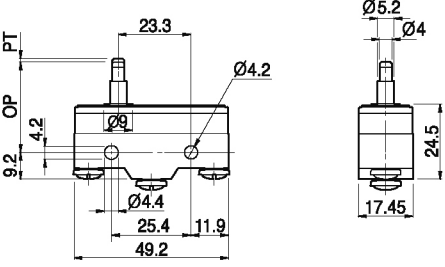
Appearance	Dimension	Operation characteristic
 <p>HY-P701B (Z4G1P09B)</p>		<p>O,F max : 3.73 N (380 gf)                      R,F min : 1.12 N (114 gf)                      P.T max : 1.0 mm                      O.T min : 1.3 mm                      M.D max : 0.13 mm                      O,P : 21.8 ±0.8 mm</p>

■ Pin push button type

Appearance	Dimension	Operation characteristic
 <p>HY-P701C (Z4G1P01B)</p>		<p>O,F max : 3.73 N (380 gf)                      R,F min : 1.12 N (114 gf)                      P.T max : 1.0 mm                      O.T min : 0.13 mm                      M.D max : 0.13 mm                      O,P : 16.0 ±0.5 mm</p>


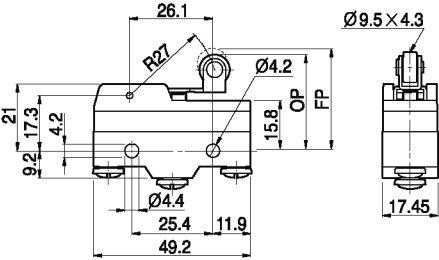
HY-700 series

■ Spring stander push button type

Appearance	Dimension	Operation characteristic
 <p>HY-P701D (Z4G1P03B)</p>		<p>O.F max : 3.73 N (380 gf)                      R.F min : 1.12 N (114 gf)                      P.T max : 1.0 mm                      O.T min : 1.3 mm                      M.D max : 0.13 mm                      O.P : 28.2 ±0.6 mm</p>


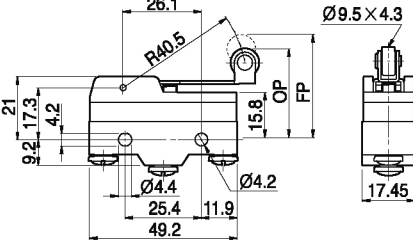
Control switch  
Combination display light  
Power switch  
Main switch  
Cam switch

■ Hinge roller single lever type

Appearance	Dimension	Operation characteristic
 <p>HY-R704A (Z4G1L07B)</p>		<p>O.F max : 1.57 N (160 gf)                      R.F min : 0.27 N (28 gf)                      P.T max : 5.0 mm                      O.T min : 2.0 mm                      M.D max : 1.2 mm                      O.P : 30.2 ±1.0 mm</p>


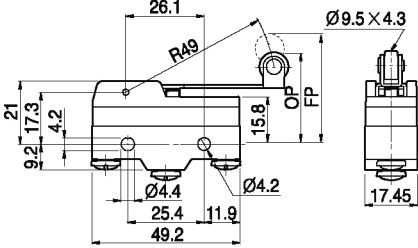
Limit switch  
Micro switch  
Hoist switch  
Foot switch  
Mono lever switch  
Signal tower  
Signal light

■ Hinge roller middle lever type


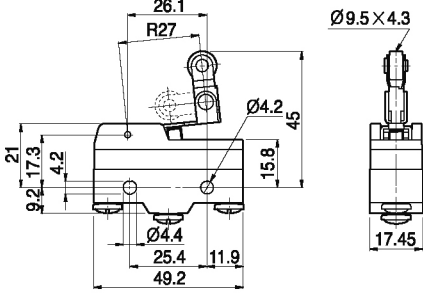
Appearance	Dimension	Operation characteristic
 <p>HY-R704B</p>		<p>O.F max : 1.18 N (120 gf)                      R.F min : 0.2 N (28 gf)                      P.T max : 5.0 mm                      O.T min : 2.0 mm                      M.D max : 1.2 mm                      O.P : 30.2 ±1.0 mm</p>

Buzzer  
Terminal block  
Fuse holder  
Control box  
Cable connector  
Discontinued Products


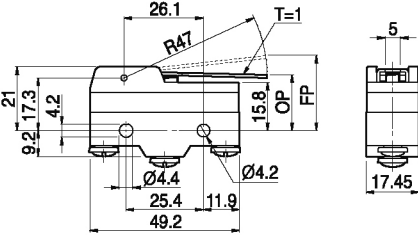
■ Hinge roller lever type

Appearance	Dimension	Operation characteristic
 <p data-bbox="248 604 358 653">HY-R704C (Z4G1L03B)</p>		<p data-bbox="1005 388 1222 413">O.F max : 0.98 N (100 gf)</p> <p data-bbox="1005 426 1205 452">R.F min : 0.14 N (14 gf)</p> <p data-bbox="1005 465 1158 490">P.T max : 8.0 mm</p> <p data-bbox="1005 504 1158 529">O.T min : 3.6 mm</p> <p data-bbox="1005 542 1158 568">M.D max : 2.4 mm</p> <p data-bbox="1005 581 1182 606">O.P : 30.2 ±1.0 mm</p>

■ 2 positions roller lever type


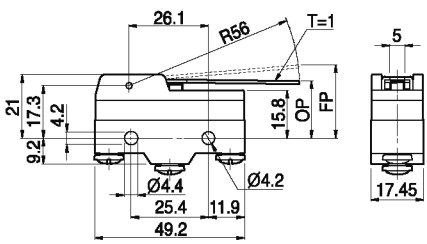
Appearance	Dimension	Operation characteristic
 <p data-bbox="239 1078 365 1103">HY-R704-2W</p>		<p data-bbox="1005 861 1222 886">O.F max : 0.98 N (100 gf)</p> <p data-bbox="1005 900 1205 925">R.F min : 0.14 N (14 gf)</p> <p data-bbox="1005 938 1158 964">P.T max : 8.0 mm</p> <p data-bbox="1005 977 1158 1002">O.T min : 3.6 mm</p> <p data-bbox="1005 1016 1158 1041">M.D max : 0.5 mm</p> <p data-bbox="1005 1054 1182 1079">O.P : 43.2 ±1.4 mm</p>

■ Single position lever type

Appearance	Dimension	Operation characteristic
 <p data-bbox="254 1566 355 1591">HY-L707A</p>		<p data-bbox="1005 1348 1222 1373">O.F max : 1.57 N (160 gf)</p> <p data-bbox="1005 1387 1205 1412">R.F min : 0.27 N (28 gf)</p> <p data-bbox="1005 1425 1158 1450">P.T max : 5.0 mm</p> <p data-bbox="1005 1464 1158 1489">O.T min : 2.0 mm</p> <p data-bbox="1005 1503 1158 1528">M.D max : 1.2 mm</p> <p data-bbox="1005 1541 1182 1566">O.P : 19.1 ±1.0 mm</p>


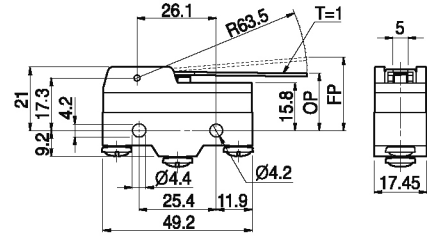


■ Middle lever type

Appearance	Dimension	Operation characteristic
 <p>HY-L707B</p>		<p>O.F max : 1.18 N (120 gf)                      R.F min : 0.20 N (20 gf)                      P.T max : 6.5 mm                      O.T min : 2.8 mm                      M.D max : 1.8 mm                      O.P : 19.1 ±1.0 mm</p>

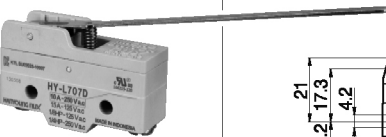
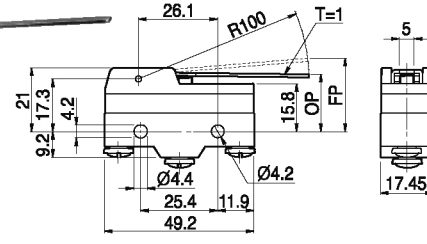
Control switch  
 Combination display light  
 Power switch  
 Main switch  
 Cam switch

■ Hinge lever type

Appearance	Dimension	Operation characteristic
 <p>HY-L707C (Z4G1L01B)</p>		<p>O.F max : 0.98 N (100 gf)                      R.F min : 0.14 N (14 gf)                      P.T max : 1.0 mm                      O.T min : 4.0 mm                      M.D max : 2.4 mm                      O.P : 19.1 ±1.0 mm</p>


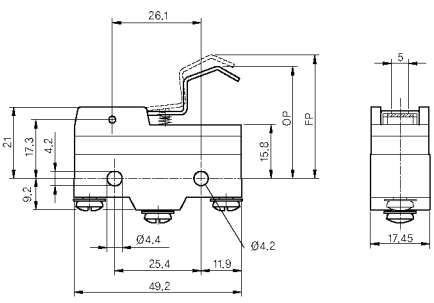
Limit switch  
 Micro switch  
 Hoist switch  
 Foot switch  
 Mono lever switch  
 Signal tower  
 Signal light

■ Special lever type

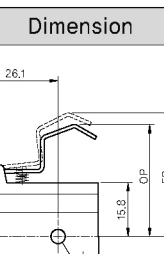
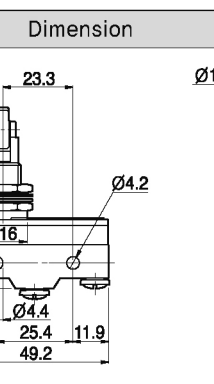
Appearance	Dimension	Operation characteristic
 <p>HY-L707D</p>		<p>O.F max : 0.78 N (80 gf)                      R.F min : 0.1 N (10 gf)                      P.T max : 1.4 mm                      O.T min : 5.6 mm                      M.D max : 3.5 mm                      O.P : 19.1 ±1.0 mm</p>

Buzzer  
 Terminal block  
 Fuse holder  
 Control box  
 Cable connector  
 Discontinued Products

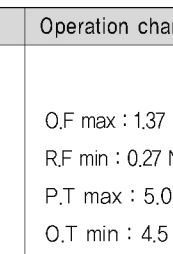
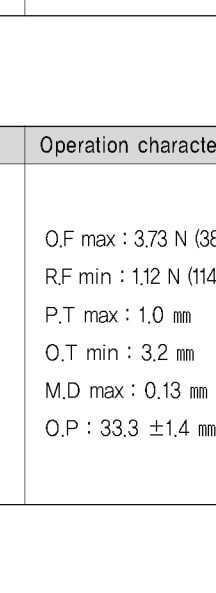
■ Hunge Special lever type

Appearance	Dimension	Operation characteristic
 <p>HY-L707S</p>		<p>O.F max : 1.37 N (140 gf)                      R.F min : 0.27 N (28 gf)                      P.T max : 5.0 mm                      O.T min : 4.5 mm                      M.D max : 1.2 mm                      O.P : 33.0 ±1 mm</p>

■ Roller panel mounting type (Vertical)

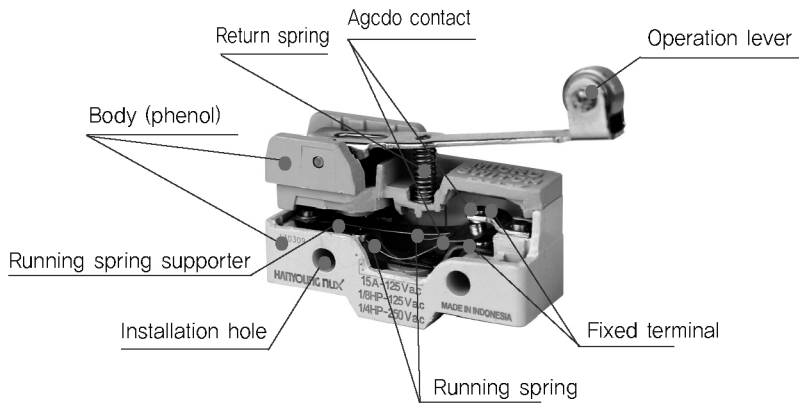
Appearance	Dimension	Operation characteristic
 <p>HY-PR708A</p>		<p>O.F max : 3.73 N (380 gf)                      R.F min : 1.12 N (114 gf)                      P.T max : 1.0 mm                      O.T min : 3.2 mm                      M.D max : 0.13 mm                      O.P : 33.3 ±1.4 mm</p>

■ Roller panel mounting type

Appearance	Dimension	Operation characteristic
 <p>HY-PR708B (Z4G1P07B)</p>		<p>O.F max : 3.73 N (380 gf)                      R.F min : 1.12 N (114 gf)                      P.T max : 1.0 mm                      O.T min : 3.2 mm                      M.D max : 0.13 mm                      O.P : 33.3 ±1.4 mm</p>

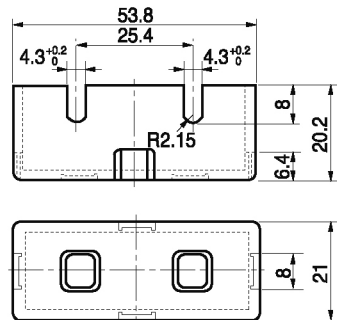
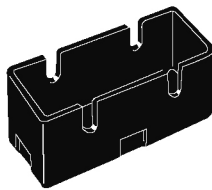
Structure

Internal structure

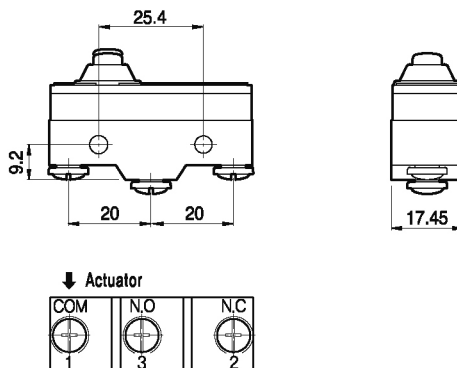


Terminal protective cover

MS-10



Dimension and terminal arrangement



Control switch  
Combination display light

Power switch  
Main switch  
Cam switch

Limit switch  
Micro switch

Hoist switch  
Foot switch  
Mono lever switch

Sign tower  
Signal light

Buzzer  
Terminal block  
Fuse holder

Control box  
Cable connector

Discontinued Products