

# SM series

## Motor Sirens



110dB



SM30

116dB



SM40

**!** Continuous operation rating time is 10 mins. Over 10 mins of continuous operation may cause motor damage. Please be careful.

### Ordering Specification

<b>SM30</b>	-	<b>24</b>
[Model number]		[Voltage]
<ul style="list-style-type: none"> <li>• SM30</li> <li>• SM40</li> </ul>		<ul style="list-style-type: none"> <li>• 12-DC12V</li> <li>• 24-DC24V</li> <li>• 110-AC110V</li> <li>• 220-AC220V</li> </ul>

### SM30 Miniature Motor Siren

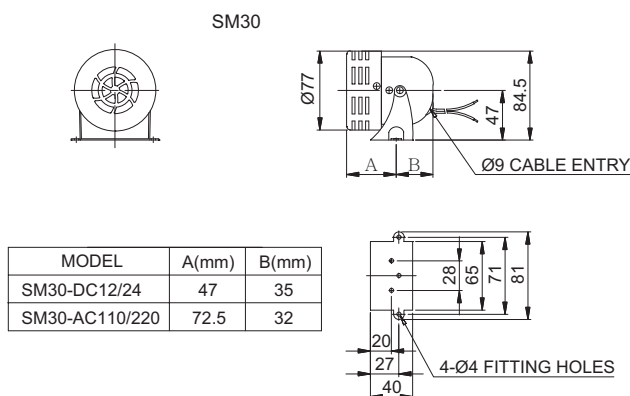
- Ø80mm compact structure with 110dB sound output
- Motor RPM : 10,000RPM
- Materials : Steel
- Power consumption : 40W
- Protection rating : IP 44
- Housing standard color : Red
- Insulation resistance : 100MΩ(at 500 VDC)
- Ambient operation temperature : -25°C to +50°C

#### Specifications

Model number	Volume	Voltage	Current	Certificates	Weight	Rated time
SM30	110dB	DC12V	5.100A	-	0.22kg	10 min
		DC24V	2.500A		0.22kg	
		AC110V	1.220A		0.42kg	
		AC220V	0.610A		0.42kg	

#### Technical Diagram

(Units : mm)



### SM40 Miniature Motor Siren

- Ø100mm compact structure with 116dB sound output
- Motor RPM : 7,000RPM
- Materials : ABS
- Power consumption : 80W
- Protection rating : IP 44
- Housing standard color : Gray
- Insulation resistance : 100MΩ(at 500 VDC)
- Ambient operation temperature : -25°C to +50°C

#### Specifications

Model number	Volume	Voltage	Current	Certificates	Weight	Rated time
SM40	116dB	DC12V	6.778A	-	0.53kg	10 min
		DC24V	3.666A		0.53kg	
		AC110V	1.000A		0.68kg	
		AC220V	0.722A		0.68kg	

#### Technical Diagram

(Units : mm)

