

Thank you for purchasing Hanyoung Nux products. Please read the instruction manual carefully before using this product, and use the product correctly. Also, please keep this instruction manual where you can view it any time.

MA0202KE201014

Safety information

Please read the safety information carefully before the use, and use the product correctly. The alerts declared in the manual are classified into Danger, Warning and Caution according to their importance

Table with 2 columns: Alert type (DANGER, WARNING, CAUTION) and description of the hazardous situation.

DANGER

The input/output terminals are subject to electric shock risk. Never let the input/output terminals come in contact with your body or conductive substances.

WARNING

If there is a possibility of a serious accident due to malfunction or abnormality of this product, install an appropriate protection circuit on the outside. Since this product is not equipped with a power switch and fuse, install them separately on the outside (fuse rating: 250V a.c. 0.5A a.c.).

CAUTION

The contents of this manual may be changed without prior notification. Make sure that the product specifications are the same as you ordered. Make sure that there are no damages or product abnormalities occurred during shipment.

When replacing the sensor, be sure to turn off the power. Use an extra relay when the frequency of operation (such as proportional operation, etc.) is high, because connecting the load to the output relay rating without any room shortens the service life.

Model code

NX1 model code table showing columns for Model, Code, Content, and Default.

NX1 control output configuration table showing columns for Type, Output, Heating (Relay, SSR/SCR), and Cooling (Relay, SSR/SCR).

NX2, 3, 7, 9 model code

NX2, 3, 7, 9 model code table showing columns for Model, Code, Content, and Default.

NX2, 3, 7, 9 control output configuration table showing columns for Type, Output, Heating (Relay, SSR/SCR), and Cooling (Relay, SSR/SCR).

CAUTION

Control output wiring
When wiring or removing the control output, shut off the controller and external power supply, because there is a risk of electric shock. Use shielded wires for voltage pulse output (SSR) and current output (SCR) wiring.

NX4 model code

NX4 model code table showing columns for Model, Code, Content, and Remarks.

*OUT1(1-2-3) can be used for AL1 when AL1 is not selected.
*OUT1: Heating control, OUT2: Cooling control

NX4 control output configuration (if the control output is SCR, the HBA can not be used)

NX4 control output configuration table showing columns for Normal type (heating), Output, Relay, SSR/SCR, and Alarm settings.

*NX4-01: HBA output is designated as 1-2-3 or 13-14 when selecting 21 for alarm type.

NX4-05 and NX4-06 control output configuration tables for Heating side (OUT1) and Alarm 1 & 2.

NX4-10,14,20 control output configuration table for Heating side (OUT1) and Cooling side (OUT2).

Specifications

Input specification

Input specification table with columns for Input type, Input displaying cycle, Input impedance, Allowable signal source resistance, Allowable wiring resistance, Noise reduction rate, Standard, RJC error, Input break detection, Measurement accuracy, and Input range.

Output specifications

Output specifications table with columns for Relay contact output, SSR output (voltage pulse output), Current output (4~20 mA), and Alarm output (HBA common).

Operating environment

Operating environment table with columns for Installation environment, Normal operating conditions, and Ambient temperature influence.

Power specifications

Power specifications table with columns for Power voltage, Power frequency, Power consumption, and Insulation resistance.

Dielectric strength

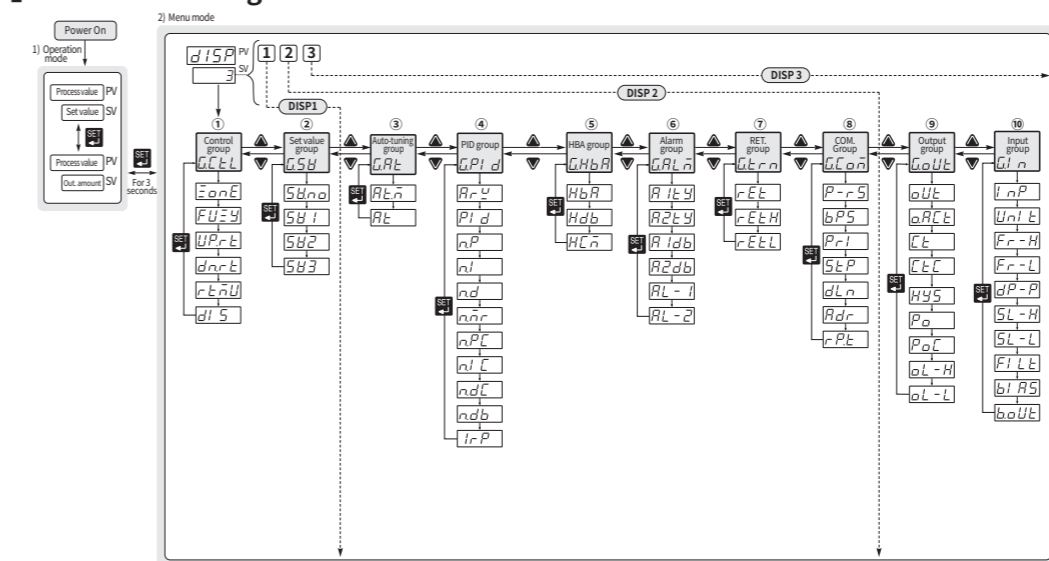
Dielectric strength table with columns for Dielectric strength and Sensor power supply.

Input signal and measuring range

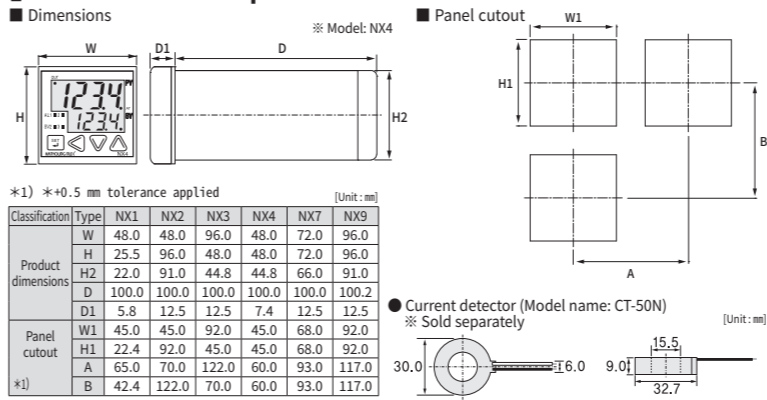
CAUTION

Input signal and measuring range table with columns for Input signal, Selection number, Input type, Range (°C), Accuracy, and Remarks.

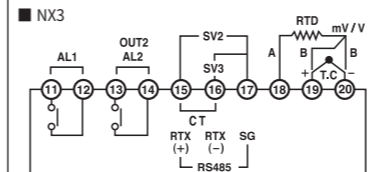
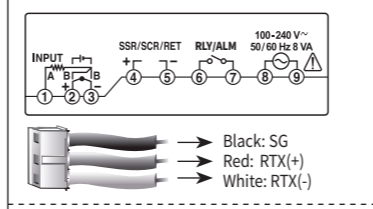
Parameter configuration



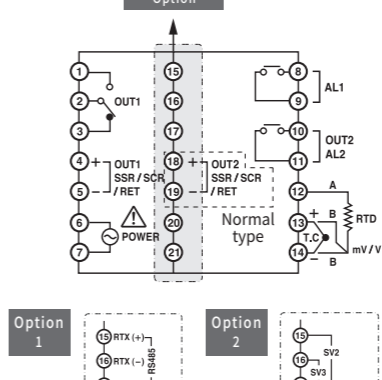
Dimensions and panel cutout



NX1

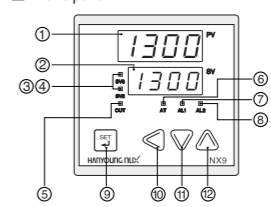


NX7



Part names and functions

Front part



Control part

Control part table with columns for No., Name, and Content.

Display part

Display part table with columns for Display part name and Function.

Alarm types and codes

(Note): In cooling control, the output will be OFF when the indicator lamp is ON.

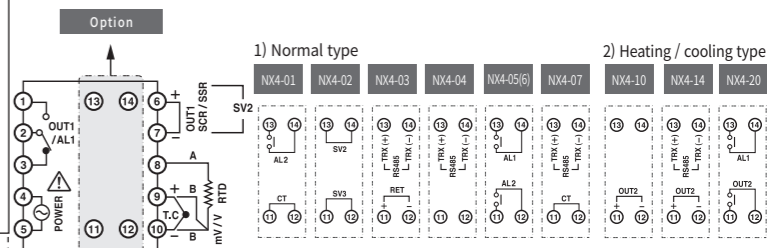
Alarm types and codes table with columns for Code, Alarm type, and Operation.

Connection diagrams

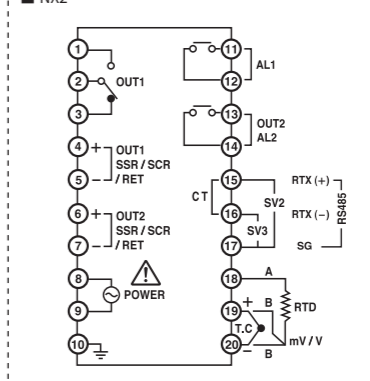
CAUTION

Grounding wiring
For grounding, use the wire with its thickness 2mm or more and class III grounding or more (grounding resistance: max. 100 Ω). The length of the ground wire should be within 20 m. Ground single-point from the ground terminal. Do not connect the wiring between ground terminals.

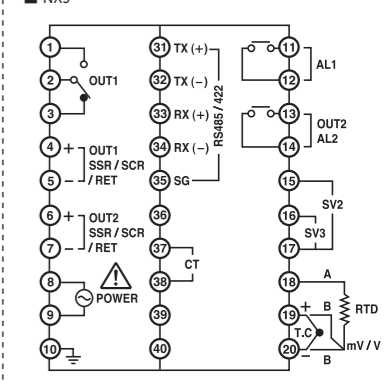
NX4



NX2



NX9



For further information, please visit our homepage(www.hynux.com) and refer to the user's manual in the archive.