

### Montageanweisung / Instruction sheet

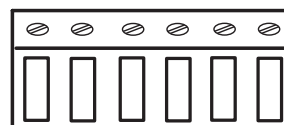
**ACHTUNG:** Schalten Sie den Strom während der Installation oder bei Wartungsarbeiten ab um einen elektrischen Schlag zu vermeiden. Prüfen Sie die Spannung und Frequenz der Stromquelle.

**ATTENTION:** Disconnect from power source to prevent electrical shock before installing or servicing. Check power supply voltage and frequency.

#### Technische Daten / Technical Data

|                                       |                |
|---------------------------------------|----------------|
| Versorgungsspannung / nominal voltage | 15 - 35 VDC    |
| Nennstrom / nominal current           | 36 mA@ 24 VDC  |
| Schutzart / Ingress protection        | IP65           |
| Schalldruck / sound level             | Max.106 dB     |
| Lautstärkeregelung / volume control   | -20 dB         |
| Temperaturbereich / temperature range | -20°C .. +70°C |

#### Elektrischer Anschluss / Electrical connection



|            |            |             |             |             |             |                                       |
|------------|------------|-------------|-------------|-------------|-------------|---------------------------------------|
| 6. (+) POS | 5. (+) POS | 4. (-) TONE | 3. (-) TONE | 2. (-) CONT | 1. (-) CONT | Intern verbunden / Internal connected |
| +          |            | -           |             |             |             | 1. Tonart / 1. stage alarm            |
| +          |            |             |             | -           |             | 2. Tonart / 2. stage alarm            |

#### Tonarteneinstellung / Tone type selection

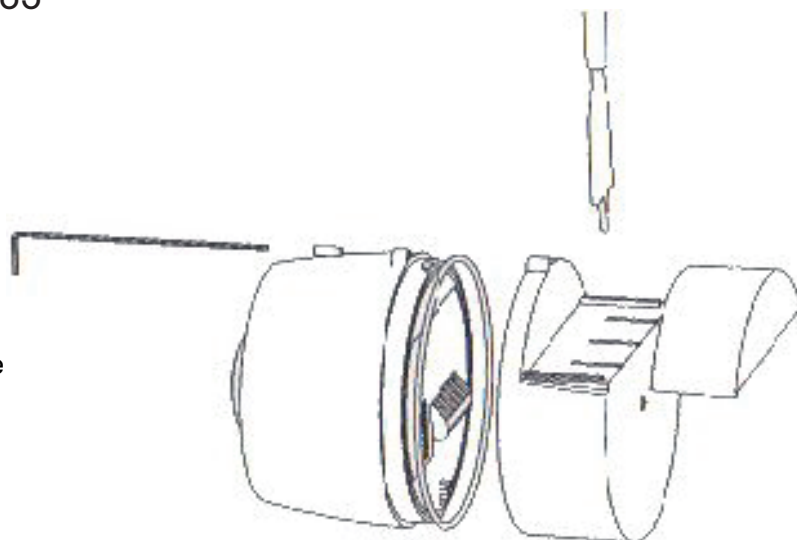
|   |          |   |
|---|----------|---|
| 1 | NOT USED | Nicht in Verwendung / Not in use          |
| 2 | ○        | Tonarteneinstellung / Tone type selection |
| 3 | ○        |   |
| 4 | ○        |   |
| 5 | ○        |   |
| 6 | ○        |   |
| 7 | A        |   |
| 8 | B        |   |

#### Lautstärkeeinstellung / Volume selection

|   |        |
|---|--------|
| A | High   |
| B | Medium |
| A | Low    |
| B |        |

#### Gehäuse für IP65 / Housing for IP65

Inbusschlüssel wird nicht mitgeliefert  
Allen key not supplied.



Bohrschablone auf Anfrage oder downloadbar auf Auer Webseite

Drilling template on request or downloadable on Auer Website

Tone table ES1/CS1

| Nr. | Sound                              | Tone frequency   | DIP-switch | 2nd stage alarm [Hz]                    | Typical Current (mA) |    |    | Typical Sound Output (dBa) |     |     |
|-----|------------------------------------|--|------------|---|----------------------|----|----|----------------------------|-----|-----|
|     |                                    |  |            |   | L                    | M  | H  | L                          | M   | H   |
| 1   | LF Sweep                           | 800 - 1000Hz @ 0.5 sec   | 11111      | 800 cont                                | 7                    | 12 | 18 | 86                         | 101 | 106 |
| 2   | Alternative warble BS standard     | 800/960Hz @ 2Hz  | 11110      | 800 cont                                | 7                    | 12 | 17 | 86                         | 100 | 105 |
| 3   | Warble Tone BS standard            | 800/1000Hz @ 0.5 sec   | 11101      | 800 cont                                | 7                    | 12 | 18 | 87                         | 101 | 106 |
| 4   | Alternative warble BS standard     | 500/600Hz @ 2Hz  | 11100      | 500 cont                                | 6                    | 10 | 13 | 84                         | 99  | 102 |
| 5   | HF Back up interrupted tone        | 2800Hz @ 1.0 sec on/off  | 11011      | 2800 cont                               | 8                    | 17 | 35 | 93                         | 106 | 114 |
| 6   | LF Back up Alarm                   | 800Hz @ 150 msec on/off  | 11010      | 800 cont                                | 6                    | 9  | 12 | 80                         | 95  | 99  |
| 7   | HF Back up interrupted tone - fast | 2800Hz @ 150 msec on/off   | 11001      | 800 cont                                | 7                    | 16 | 35 | 92                         | 105 | 113 |
| 8   | LF Continuous tone BS5839          | 800Hz cont   | 11000      | Same tone                               | 7                    | 11 | 16 | 82                         | 96  | 100 |
| 9   | Sweep tone [1Hz]                   | 800/900Hz @ 1Hz  | 10111      | 800 cont                                | 7                    | 12 | 19 | 87                         | 101 | 106 |
| 10  | Australian slow whoop              | Intermittent 970Hz 0.625ms on/0.625ms off                        | 10110      | 500-1200<br>3.75 sec on<br>0.25 sec off | 7                    | 12 | 18 | 87                         | 101 | 106 |
| 11  | Dutch sweep tone                   | 970Hz cont   | 10101      | 500-1200<br>3.5 sec on<br>0.5 sec off   | 7                    | 12 | 18 | 87                         | 101 | 106 |
| 12  | Anologue sweep tone                | 500/600Hz @ 2Hz  | 10100      | 500 cont                                | 6                    | 10 | 13 | 84                         | 99  | 102 |
| 13  | Sweep tone [3Hz]                   | 800/970Hz @ 3Hz  | 10011      | 800 cont                                | 7                    | 12 | 17 | 85                         | 100 | 105 |
| 14  | Alternate HF slow sweep            | 2350/2900Hz @ 3Hz  | 10010      | 2400 cont                               | 8                    | 16 | 32 | 92                         | 106 | 113 |
| 15  | Fast HF sweep                      | 2400-2800Hz @ 7Hz  | 10001      | 2400 cont                               | 8                    | 16 | 32 | 92                         | 105 | 112 |
| 16  | US Temporal Pattern LF             | 950Hz for 0.5 sec on 0.5 sec off x3<br>then 1.5 sec then repeat  | 10000      | 800 cont                                | 6                    | 11 | 13 | 86                         | 100 | 104 |
| 17  | Interrupted tone BS standard       | Interrupted tne 800Hz @ 0.5 sec on/off                           | 01111      | 800 cont                                | 6                    | 9  | 12 | 81                         | 96  | 100 |
| 18  | ISO 8201 LF BS5839 Pt 1 1988       | Intermittent 970Hz 500ms on/500ms off                            | 01110      | Same tone                               | 6                    | 11 | 13 | 87                         | 101 | 106 |
| 19  | Interrupted tone medium            | 1000Hz @ 0.25 sec on/off   | 01101      | 800 cont                                | 6                    | 9  | 12 | 86                         | 101 | 105 |
| 20  | ISO8201 HF                         | Intermittent 970Hz 500 ms on /500 ms off                         | 01100      | Same tone                               | 7                    | 16 | 35 | 92                         | 105 | 113 |
| 21  | Continuous tone                    | 1000Hz continuous  | 01011      | Same tone                               | 7                    | 12 | 19 | 87                         | 101 | 106 |
| 22  | LF Buzz                            | 800-950Hz swept @ 110Hz  | 01010      | 800 cont                                | 7                    | 12 | 17 | 86                         | 100 | 105 |
| 23  | HF Continuous                      | 2800Hz   | 01001      | 2800 cont                               | 8                    | 17 | 35 | 93                         | 106 | 114 |
| 24  | Sweep tone [9Hz]                   | 800-970Hz @ 9Hz  | 01000      | 800 cont                                | 7                    | 12 | 17 | 86                         | 101 | 105 |
| 25  | German DIN tone                    | Sweep 1200-500Hz @ 1Hz   | 00111      | 800 cont                                | 7                    | 11 | 17 | 85                         | 100 | 104 |
| 26  | Swedish Fire signal                | Intermittent 660Hz 150 ms on / 150 ms off                        | 00110      | Same tone                               | 6                    | 8  | 11 | 82                         | 97  | 101 |
| 27  | French tone AFNOR                  | 554Hz for 100 ms and 440Hz for 400ms                             | 00101      | 800 cont                                | 6                    | 9  | 12 | 83                         | 99  | 102 |
| 28  | Swedish all clear signal           | Continuous 660Hz   | 00100      | Same tone                               | 6                    | 10 | 15 | 83                         | 98  | 102 |
| 29  | US Temporal Pattern HF             | 2900Hz for 0.5 sec on 0.5 off x3,<br>off for 1.5 sec then repeat | 00011      | 2900 cont                               | 8                    | 12 | 31 | 92                         | 105 | 113 |
| 30  | Siren 2 way ramp [short]           | 500/1200Hz rising then falling 0.25 sec                          | 00010      | 800 cont                                | 7                    | 11 | 15 | 85                         | 99  | 103 |
| 31  | FP 1063.1 - Telecom                | Alternating tone 800/970 Hz @ 2Hz                                | 00001      | 800 cont                                | 7                    | 12 | 17 | 86                         | 101 | 105 |
| 32  | Siren 2 way ramp [long]            | 500/1200Hz 3 sec rising / 3 sec falling                          | 00000      | 800 cont                                | 7                    | 12 | 19 | 87                         | 101 | 105 |