

# STND series

Versatile Signal/ Warning Lights with Built-in Buzzer

## Warning lights with electric horn supports 30 prerecorded, 30 user defined sound tones(MP3)

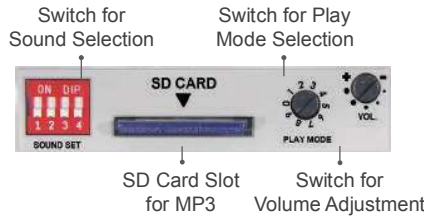
- 6 Bit input, 5 sound tones for each group
- Binary input 30 sound tones output
- SD Card(MP3) support

### Sound Tone Selection & Volume Control

STND series is a combination of warning light and signal horn that allows sound tone selection and volume control through a built-in control panel. In addition, it supports MP3 through an SD Card.

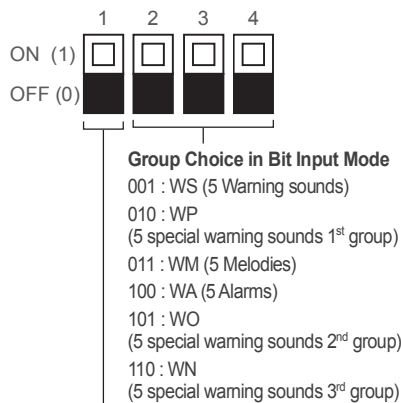
### Multifunctional Type

#### Features



#### Sound Setup Switch

You can select between pre-recorded sound mode and SD Card sound (MP3) mode with the SOUND selection switch.



#### Sound Selection

- 0 : Built-in sound
- 1 : SD Card(MP3)

- Built-in sounds(5WS, 5WP, 5WM, 5WA, 5WO and 5WN)
- Support SD Card(MP3)
- Binary Input : 30Ch
- Bit input : 5Ch(6 groups)
- Support MP3 format through SD Card
- Detailed instructions for multi-functional products are shown on page 28



### Common Specifications(STNDL/ STND100/ STND125)

- Combination of warning light and horn allows transmission of both visual and audible signals together
- Appropriate sound tones can be chosen depending on the various working environments among the various type of available sound tones
- Sound tone selector and volume controller in front of the device allows convenient use
- SD Card type allows user defined sound tone
- Built-in 30 sound tones, support binary and bit input modes
- Bit input mode consists of 5 sound types with 6 groups. Choose one of the groups to play 5 sounds from that group.(MP3 is separate from the 6 groups)
- Materials : Lens-AS, Housing-ABS, Reflector-Heat resistant ABS
- Ambient operating temperature
  - 20°C to +50°C : STND100LR, STND100R, STND125LR, STND125R
  - 30°C to +50°C : STNDL, STND100L, STND125L
- Protection rating : IP54

### Built-in sounds 30

Multi-functional product has 30 built-in sound tones

Sound	Category	Ch	Sound Tone	Sound	Category	Ch	Sound Tone
WS	5 Warning sounds	Ch1	Fire.A-ANG	WA	5 Alarms	Ch1	Beep Intermittent
		Ch2	Emergency WA-U(Yelp)			Ch2	Door Chime
		Ch3	Ambulance PI-PO(Hi- low)			Ch3	Phone Ring
		Ch4	Machinery Fault			Ch4	PI.PI.PI Short
		Ch5	Form Alarm			Ch5	Tripping Beat
WP	5 special warning sounds (1 <sup>st</sup> group)	Ch1	Fire.A-ANG	WO	5 special warning sounds (2 <sup>nd</sup> group)	Ch1	Phone Ring
		Ch2	Abandon Alarm			Ch2	Police
		Ch3	Machinery Fault			Ch3	Emergency
		Ch4	High Expansion			Ch4	Phone Ring 2
		Ch5	7 Short PI. / 1 Long			Ch5	911 siren
WM	5 Melodies	Ch1	Sweet Home	WN	5 special warning sounds (3 <sup>rd</sup> group)	Ch1	Do-ong Do-ong
		Ch2	For Elise			Ch2	Di- Di-
		Ch3	Cuckoo's Waltz			Ch3	PI.PI.PI long
		Ch4	Piano Sonata			Ch4	Li long Li long
		Ch5	Turkish March			Ch5	Siren

### User-defined sound (MP3)

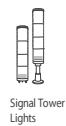
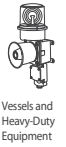
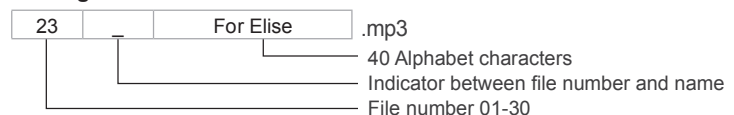
#### User-defined sound(MP3) type



Customer can create a playlist and grouping conveniently through PC. Product supports up to 32Gbyte. SD Card is an optional item.

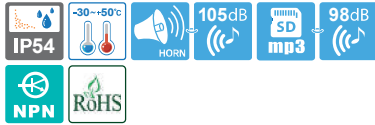
\*SD Card needs to be purchased.

#### MP3 file naming



# STND series

Multifunctional Signal/ Warning Lights with Built-in Buzzer



STND series



STND series has a front control panel for convenient sound signal control.



### Wiring Instructions

- External power line standard, UL1015 AWG18(0.75sq)×2C 400mm
- Signal line standard, UL1007 AWG22(0.3sq) 400mm
- Product can be wired regardless of polarity

※ Please refer to page143 for detailed wiring information.



## STNDL LED Steady/Flashing Lights & Electric Horn

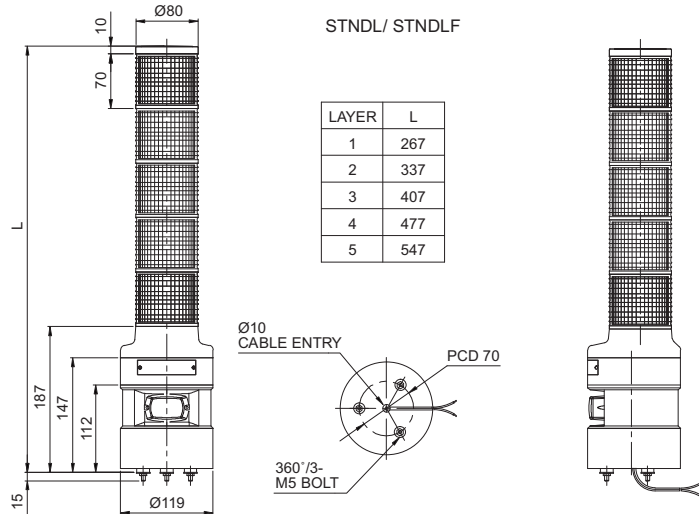
- Lens colors are interchangeable
- Certificates : CE Compliant
- Compliant with RoHS directive

Model number	layer	Voltage	Current	Sound Pattern and Volume	Certificates	Weight	Color
STNDL Steady STNDLF Steady/ Flashing	1	DC12V	0.465A	<ul style="list-style-type: none"> <li>• WS-Warning sound</li> <li>• WP-Special warning sound 1<sup>st</sup> group</li> <li>• WM-Melody</li> <li>• WA-Alarm</li> <li>• WO-Special warning sound 2<sup>nd</sup> group</li> <li>• WN-Special warning sound 3<sup>rd</sup> group</li> <li>• SD Card-MP3 Volume : 105dB</li> <li>• Bit input : 5Ch</li> <li>• Binary Input : 30Ch</li> <li>• Warning sound : 105dB</li> <li>• MP3 : 98dB</li> </ul>	DC24V only	DC-1.19kg AC-1.58kg	<ul style="list-style-type: none"> <li>• R-Red</li> </ul>
		DC24V	0.465A				
		AC110V -220V	Max. 0.170A				
	2	DC12V	0.590A			<ul style="list-style-type: none"> <li>• R-Red</li> <li>• G-Green</li> </ul>	
		DC24V	0.530A				
		AC110V -220V	Max. 0.205A				
	3	DC12V	0.675A			<ul style="list-style-type: none"> <li>• R-Red</li> <li>• A-Amber</li> <li>• G-Green</li> </ul>	
		DC24V	0.590A				
		AC110V -220V	Max. 0.230A				
	4	DC12V	0.785A			<ul style="list-style-type: none"> <li>• R-Red</li> <li>• A-Amber</li> <li>• G-Green</li> <li>• B-Blue</li> </ul>	
		DC24V	0.645A				
		AC110V -220V	Max. 0.255A				
	5	DC12V	0.870A			<ul style="list-style-type: none"> <li>• R-Red</li> <li>• A-Amber</li> <li>• G-Green</li> <li>• B-Blue</li> <li>• W-White</li> </ul>	
		DC24V	0.710A				
		AC110V -220V	Max. 0.285A				



### Technical Diagram

(Units : mm)



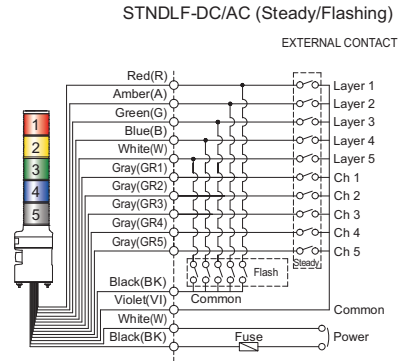
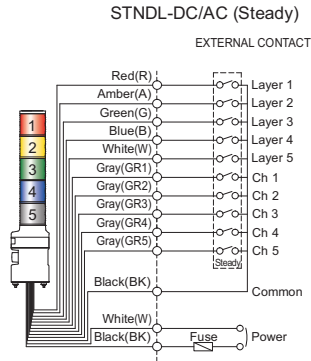
### Ordering Specification

<b>STNDL</b>	-	<b>3</b>	-	<b>24</b>	-	<b>RAG</b>
[Model number]		[Layer]		[Voltage]		[Color]
<ul style="list-style-type: none"> <li>• STNDL</li> <li>• STNDLF</li> </ul>		<ul style="list-style-type: none"> <li>• 1-1Layer</li> <li>• 2-2Layers</li> <li>• 3-3Layers</li> <li>• 4-4Layers</li> <li>• 5-5Layers</li> </ul>		<ul style="list-style-type: none"> <li>• 12-DC12V</li> <li>• 24-DC24V</li> <li>• 110/220-AC110V-220V</li> </ul>		<ul style="list-style-type: none"> <li>• R-Red</li> <li>• A-Amber</li> <li>• G-Green</li> <li>• B-Blue</li> <li>• W-White</li> </ul>

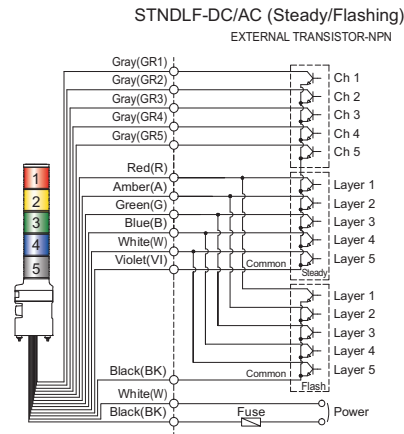
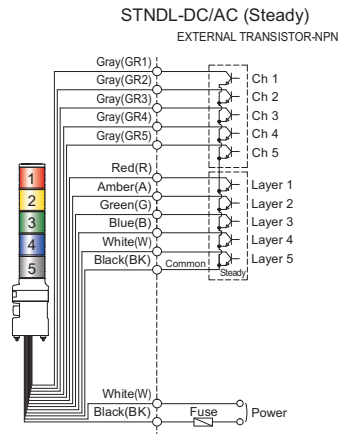


### Wiring Instructions

#### External contact



#### Transistor



- Product can be wired regardless of polarity.
- In case of Bit input, 5 sound tones can be played. For Binary input, 30 sound tones can be played.
- ※ Please refer to page28 for detailed channel input instruction. (Wiring Instructions substitutes for channel selection switch)

**⚠ Do not apply power into each signal line. Product may be damaged**

- NPN transistor(non-external contact control) can be enabled by using the flashing common line for the light source.
- Each unit's light source and signal sound do not operate identically even though multiple units are working at the same time.
- Do not short-circuit between steady common and flash common. Signal light won't work properly.