





TB-35N NON POWER FAILURE 24 HOURS TIME SWITCH

SPECIFICATIONS

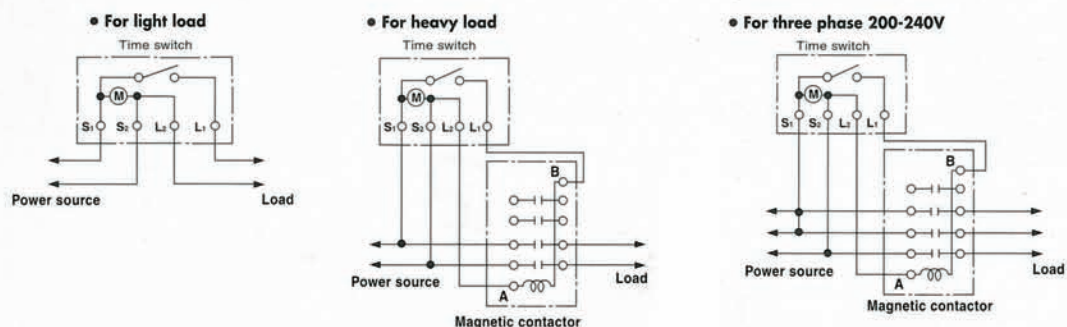
| | |
|--------------------------|-------------------------------|
| Model No. | TB - 35N |
| Movement type | AC - type |
| Rated Voltage | 100 - 240V |
| Voltage Tolerance | 85 - 264V |
| Frequency | 50/60Hz Common Use |
| Movement | Quartz |
| Power Consumption | 110VAC 1W, 220VAC 2W |
| Back up Power | 100 Hours |
| Ambient Temperature | -10°C ~ +50°C |
| Resistive Load | 250V AC 15A |
| Lamp Load | 10A |
| Inductive Load | 12A (cos ϕ =0.7 or more) |
| Motor Load | 110VAC 750W, 220VAC 1500W |
| Minimum Setting Unit | 15 minute units |
| Minimum Setting Interval | 15 minute |
| No. of ON-OFF Operations | 96 operations |
| Net Weight | 250g |

CAUTIONS

1. For the first time, please charge battery first for 10 minutes before use.
2. To set the correct time, turn the dial in the direction of the arrow (clockwise) and set the present time.
3. Please observe the rated voltage and voltage tolerance of the time switches for adequate use.
4. If the load capacity exceeds the rating, an electromagnetic switch is required.
5. Do not use the time switch where:
 - the ambient temperature goes below -10°C or above +50°C
 - there is much dust
 - there is much moisture
 - outdoors or where it will be exposed to rain or water
 - there is much vibration

WIRING CONNECTION DIAGRAM

When the time switch is used for loads exceeding the rated capacity, it is imperative that the time switch be used in combination with one or more magnetic contactors according to each load.



When the time switch is used with a heater, it is imperative that the load circuit be protected by a thermo-switch.