

Micrometer

The origin of Mitutoyo's trustworthy brand of small tool instruments

Outside Micrometers SERIES 340, 104 — with Interchangeable Anvils

MeasurLink ENABLED
Data Management Software by Mitutoyo

MeasurLink ENABLED
Data Management Software by Mitutoyo

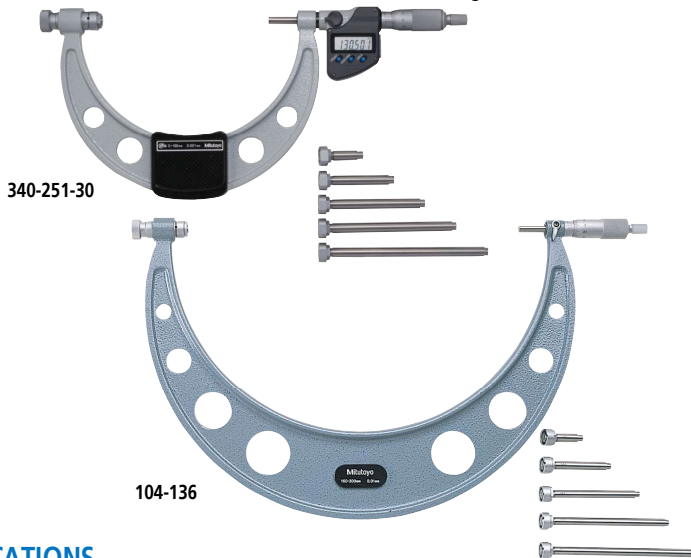
Products equipped with the measurement data output function can be connected to the measurement data network system MeasurLink (refer to page A-5 for details).

IP 65

These marks indicate that a product has successfully passed IP65-level testing, which is carried out by the independent German certification organization TÜV Rheinland.

TÜV Rheinland
CERTIFIED
www.tuv.com
ID 000040191

- Wide measuring range with interchangeable anvils.
- Measuring face of the spindle is carbide tipped (standard model).
- IP 65 water/dust protection (340-251-30, 340-252-30, 340-351-30, 340-352-30).
- Equipped with Ratchet Stop for constant measuring force.



IP Codes (340-251-30, 340-252-30, 340-351-30, 340-352-30)

Level 6: Dust -proof.

No ingress of dust allowed.

Level 5: Protected against water jets.

Water projected in jets against the enclosure from any direction shall have no harmful effects.

Technical Data

- Spindle feed error: 3 µm/0.00015 in
- Flatness
 - Measuring range 0 to 300: 0.6 µm
 - Measuring range 300 to 1000: 1.0 µm
- Parallelism
 - Measuring range 0 to 75: 2 µm
 - Measuring range 75 to 150: 3 µm
 - Measuring range 150 to 1000 (2+R/100) µm, R=max. range (mm) (fraction rounded up)

SPECIFICATIONS

Metric							
Order No.	Range (mm)	Resolution (mm)	Interchangeable anvils	Setting Standard		Micrometer head stroke (mm)	
				Qty	Size (mm)		
Digimatic (LCD)							
340-251-30	0 - 150	0.001	6 pcs.	5	25 - 125	25	
340-252-30	150 - 300			6	150 - 275		
340-520	300 - 400			4 pcs.	4		300 - 375
340-521	400 - 500						400 - 475
340-522	500 - 600						500 - 575
340-523	600 - 700						600 - 675
340-524	700 - 800		700 - 775				
340-525	800 - 900		800 - 875				
340-526	900 - 1000		900 - 975				

Inch/Metric							
Order No.	Range (in)	Resolution	Interchangeable anvils	Setting Standard		Micrometer head stroke (in)	
				Qty	Size (in)		
Digimatic (LCD)							
340-351-30	0 - 6	0.00005 in/ 0.001 mm	6 pcs.	5	1 - 5	1	
340-352-30	6 - 12				6 - 11		
340-720	12 - 18	0.0001 in/ 0.001 mm		6	6		12 - 17
340-721	18 - 24						18 - 23
340-722	24 - 30						24 - 29
340-723	30 - 36						30 - 35

Metric								
Order No.	Range (mm)	Graduation (mm)	Interchangeable anvils	Setting Standard		Micrometer head stroke (mm)		
				Qty	Size (mm)			
Analog								
104-171*	0 - 50	0.01	1 pc.	1	25	25		
104-139A	0 - 100				4 pcs.		3	25 - 75
104-135A	0 - 150				6 pcs.		5	25 - 125
104-161A	50 - 150		4 pcs.	4	50 - 125			
104-140A	100 - 200				100 - 175			
104-136A	150 - 300				150 - 275			
104-141A	200 - 300		4 pcs.	4	200 - 275			
104-142A	300 - 400				300 - 375			
104-143A	400 - 500				400 - 475			
104-144A	500 - 600				500 - 575			
104-145A	600 - 700				600 - 675			
104-146A	700 - 800				700 - 775			
104-147A	800 - 900				800 - 875			
104-148A	900 - 1000				900 - 975			

Inch								
Order No.	Range (in)	Interchangeable anvils	Graduation (in)	Setting Standard		Micrometer head stroke (in)		
				Qty	Size (in)			
Analog								
104-165	0 - 2	1 pc.	0.0001	1	1	1		
104-149	0 - 4	4 pcs.			1 - 3			
104-137	0 - 6	6 pcs.			1 - 5			
104-162	2 - 6	4 pcs.			2 - 5			
104-150	4 - 8				4 - 7			
104-138	6 - 12				6 - 11			
104-151	8 - 12	4 pcs.			8 - 11			
104-152	12 - 16				12 - 15			
104-201	12 - 18	6 pcs.			0.001		6	12 - 17
104-153	16 - 20	4 pcs.						16 - 19
104-202	18 - 24	6 pcs.						18 - 23
104-154	20 - 24	4 pcs.						20 - 23
104-155	24 - 28							24 - 27
104-203	24 - 30							24 - 29
104-156	28 - 32	4 pcs.						28 - 31
104-204	30 - 36	6 pcs.						30 - 35
104-157	32 - 36	4 pcs.						32 - 35
104-158	36 - 40				36 - 39			
104-205	36 - 42		36 - 41					

* The frame is fitted with a heat shield.

Note 1: For functional details of 340-251-30, 340-252-30, 340-351-30, 340-352-30, refer to page B-8.

Please note that origin setting of these models is by presetting.

Optional connecting cable is available only for water-proof type (Digimatic model).

Note 2: For functional details of 340-520 to 340-723, refer to page B-9.

Technical Data

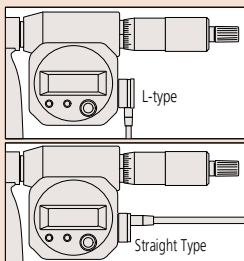
- Battery for series 340
340-251-30, 340-252-30,
340-351-30, 340-352-30: SR44 (1 pc.)
340-520 to 340-526
340-720 to 340-723: SR44 (2 pcs.)
938882, for initial operational checks (standard accessory)
- Battery life: Approx. 2.4 years under normal use
 (for series **340-2XX, 340-3XX**)
 Approx. 1.8 years under normal use
 (for series **340-5XX, 340-7XX**)
- Length standard: Electromagnetic rotary sensor (for series **340**)
- Standard accessories: Spanner (**301336**), 1 pc.
 (for maximum measuring range up to 300 mm (12 in))
 Spanner (**200154**), 1 pc.
 (for maximum measuring range 400 mm (16 in) or over)

Optional Accessories

- Connecting cables for
340-251-30, 340-252-30, 340-351-30 and 340-352-30
- USB Input Tool Direct
USB-ITN-B (2 m): **06AFM380B**
- SPC cables for **U-WAVE-T** w/data switch (160 mm):
02AZD790B
 For foot switch: **02AZE140B**

Wireless Data Output* U-WAVE™

- U-WAVE-TM 264-622** (IP67 type)
264-623 (Buzzer type)
- U-WAVE-TMB** Transmitter
Mitutoyo Bluetooth® U-WAVE
264-626 (IP type)
264-627 (Buzzer type)
 Refer to page A-16 for details.
- Connecting unit for **U-WAVE-TM/TMB**
02AZF310 (IP67/buzzer type common specification)
 Refer to pages A-16 and A-18 for details
 * Only **340-251-30, 340-252-30, 340-351-30 and 340-352-30** can be attached
- Connecting cables for
340-5XX, 340-7XX
 Recommended cables:
 L-Type (does not interfere with operating the thimble.)
 1 m: **04AZB512**
 2 m: **04AZB513**
 Straight type (may interfere with operating the thimble.)
 1 m: **959149**
 2 m: **959150**



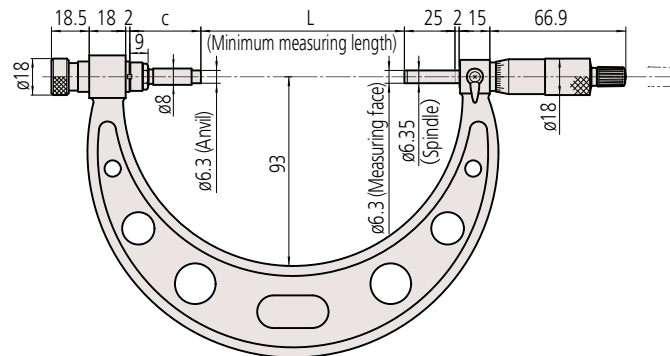
Refer to page A-27 for detailed information about recommended cables.



DIMENSIONS

104-135A

Unit: mm

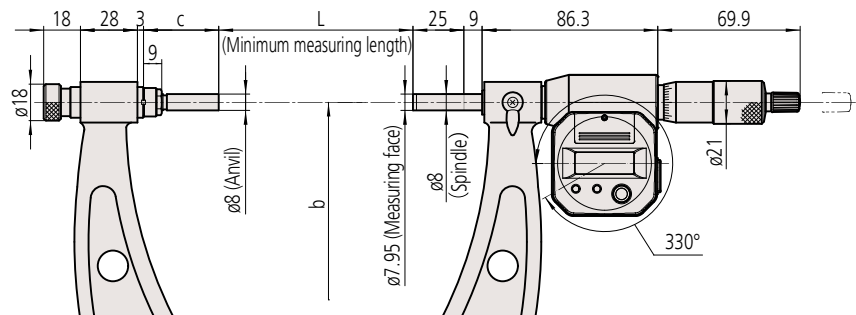


Interchangeable Anvil

Range	0 - 150 mm models	L: Range (mm)					
		0 - 25	25 - 50	50 - 75	75 - 100	100 - 125	125 - 150
Range	150 - 300 mm models	150 - 175	175 - 200	200 - 225	225 - 250	250 - 275	275 - 300
	Order No.	303950	303951	303952	303953	303954	303955
	c: Overall length (mm)	135	110	85	60	35	10
	Interchangeable anvil	M1	M2	M3	M4	M5	M6

Range	300 - 400 mm models	L: Range (mm)			
		300 - 325	325 - 350	350 - 375	375 - 400
Range	400 - 500 mm models	400 - 425	425 - 450	450 - 475	475 - 500
Range	500 - 600 mm models	500 - 525	525 - 550	550 - 575	575 - 600
Range	600 - 700 mm models	600 - 625	625 - 650	650 - 675	675 - 700
Range	700 - 800 mm models	700 - 725	725 - 750	750 - 775	775 - 800
Range	800 - 900 mm models	800 - 825	825 - 850	850 - 875	875 - 900
Range	900 - 1000 mm models	900 - 925	925 - 950	950 - 975	975 - 1000
	Order No.	304001	304002	304003	304004
	c: Overall length (mm)	87	62	37	12
	Interchangeable anvil	M3	M4	M5	M6

Over 400 mm up to 1000 mm



Range	300 - 400 mm models	L: Range (mm)					b
		300 - 325	325 - 350	350 - 375	375 - 400		
Range	400 - 500 mm models	400 - 425	425 - 450	450 - 475	475 - 500	273	
Range	500 - 600 mm models	500 - 525	525 - 550	550 - 575	575 - 600	332	
Range	600 - 700 mm models	600 - 625	625 - 650	650 - 675	675 - 700	382	
Range	700 - 800 mm models	700 - 725	725 - 750	750 - 775	775 - 800	430	
Range	800 - 900 mm models	800 - 825	825 - 850	850 - 875	875 - 900	480	
Range	900 - 1000 mm models	900 - 925	925 - 950	950 - 975	975 - 1000	530	
	Order No.	304001	304002	304003	304004		
	c: Overall (mm)	87	62	37	12		
	Interchangeable anvil	M3	M4	M5	M6		