

Micrometer

The origin of Mitutoyo's trustworthy brand of small tool instruments

Outside Micrometers SERIES 406 — Non-Rotating Spindle Type

MeasurLink¹ ENABLED
Data Management Software by Mitutoyo

- Non-rotating spindle.
- Measuring face of the spindle is carbide tipped.
- Spindle $\phi 6.35$ mm
- Equipped with Ratchet Stop for constant measuring force.



406-250-30

Metric

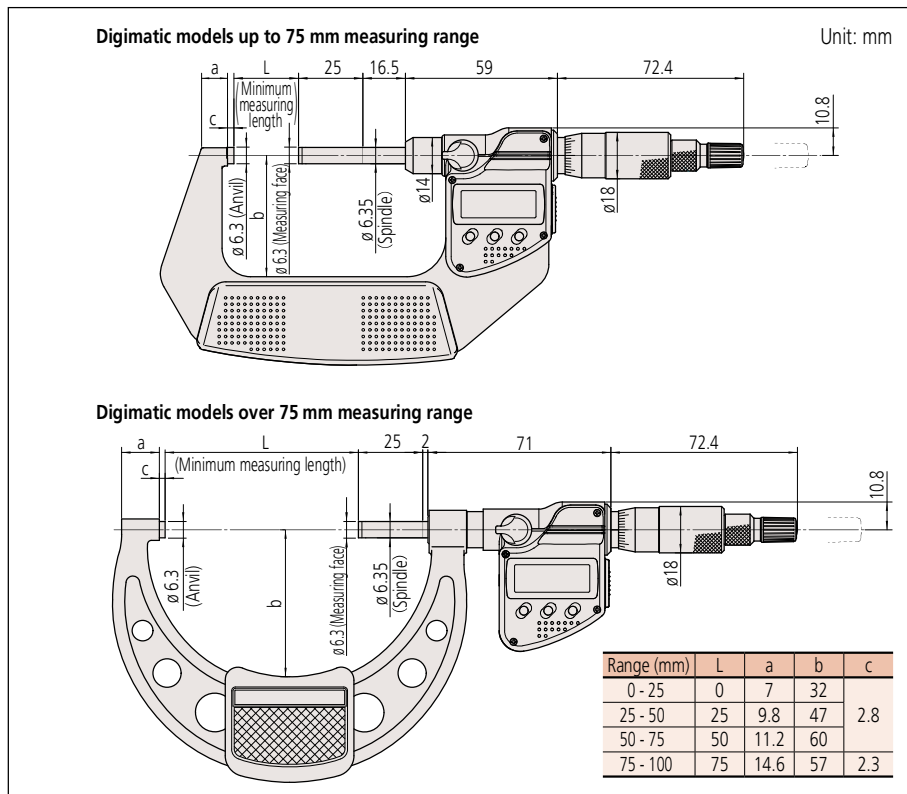
Order No.	Range (mm)	Resolution (mm)	Maximum permissible error J_{MPE} (μm)	Flatness (μm)	Parallelism (μm)
406-250-30	0 - 25	0.001	± 3	0.3	3
406-251-30	25 - 50				
406-252-30	50 - 75				
406-253-30	75 - 100		± 4	4	

Note: For functional details of series 406, refer to page B-8. Please note that these models are not water-proof.

Inch / Metric

Order No.	Range (in)	Resolution	Maximum permissible error J_{MPE} (in)	Flatness (in)	Parallelism (in)
406-350-30	0 - 1	0.00005 in/ 0.001 mm	± 0.00015	0.000012	0.00012
406-351-30	1 - 2				
406-352-30	2 - 3				
406-353-30	3 - 4		± 0.0002	0.00016	

DIMENSIONS



MeasurLink¹ ENABLED

Data Management Software by Mitutoyo

Products equipped with the measurement data output function can be connected to the measurement data network system MeasurLink (refer to page A-5 for details).

Technical Data

- Battery: SR44 (1 pc.), **938882**, for initial operational checks (standard accessory)
- Battery life: Approx. 2.4 years under normal use
- Length standard: Electromagnetic rotary sensor
- Standard accessories: Reference bar, 1 pc. (except for measuring range 0 to 25 mm (0 to 1 in) models)
- Spanner (**301336**), 1 pc.

Optional Accessories

- Connecting cables
 - 1 m: **05CZA662**
 - 2 m: **05CZA663**
- USB Input Tool Direct
 - USB-ITN-B** (2 m): **06AFM380B**
- **U-WAVE-T** dedicated connection cable
 - 160 mm: **02AZD790B**
 - For foot switch: **02AZE140B**
 - Refer to page A-27 for details.



Wireless Data Output **U-WAVE™**

- **U-WAVE-TM 264-622** (IP67 type) **264-623** (Buzzer type)
- **U-WAVE-TMB** Transmitter **Mitutoyo Bluetooth® U-WAVE 264-626** (IP type) **264-627** (Buzzer type)
- Refer to page A-16 for details.
- Connecting unit for **U-WAVE-TM/TMB 02AZF310** (IP67/buzzer type common specification)
- Refer to pages A-16 and A-18 for details.