

# QAD series

## Signal/ LED Warning Lights with High Volume Built-in Buzzer



- 6 Bit input, 5 sound tones for each group
- Binary input 30 sound tones output SD Card(MP3) support



QAD100 series



QAD series buzzer and electric sound is rich and clear because the RESONANCE CHAMBER amplifies the sound.

**!** Do not supply power into the signal line. Product may be damaged as a result

- Once powering on, signal light will work. However, the speaker will require additional wiring.

### QAD100H Wall Mount Type LED Steady/ Flash & Electric Horn

- Built-in sound/ MP3

Model number	Voltage	Current	Sound Pattern and Volume	Certificates	Weight	Color
QAD100H	DC12V-24V	Max 1.020A	• Bit Input : 5Ch • Binary Input : 30Ch • Warning : Max 100dB • MP3 : Max 95dB	CE	0.92kg	• R-Red • A-Amber • G-Green • B-Blue
	AC110V-220V	Max 0.210A			0.94kg	

\* DC type model has a free-voltage range of 10V-30V.

\* AC type model has a free-voltage range of 100V-240V.

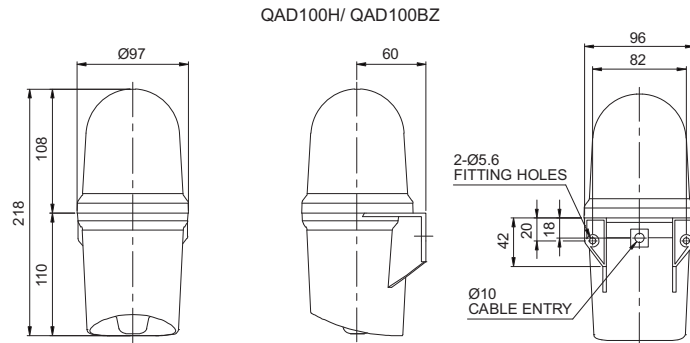
### QAD100BZ Wall Mount Type LED Steady/ Flash & Strong Buzzer

- Built-in strong buzzer

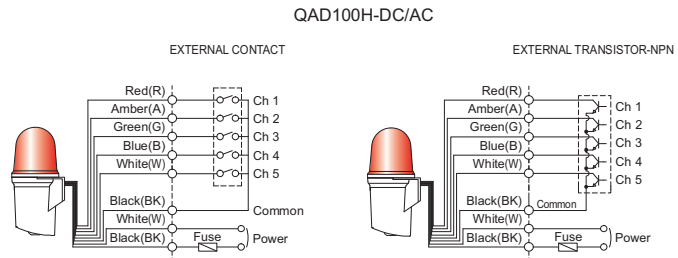
Model number	Voltage	Current	Sound Pattern and Volume	Certificates	Weight	Color
QAD100BZ	DC12V	0.460A	• Buzzer Volume : Max 105dB	CE UL	0.98kg	• R-Red • A-Amber • G-Green • B-Blue
	DC24V	0.290A				
	AC110V-220V	Max 0.145A				

\* AC type model has a free-voltage range of 100V-240V.

### Technical Diagram (Units : mm)



### Wiring Instructions



- External power line standard, UL1015 AWG18(0.75sq)×2C 400mm
- Signal line standard, UL1007 AWG22(0.3sq) 400mm
- Product can be wired regardless of polarity
- In case of 6 Bits input, 5 sound tones can be played. For Binary input, 30 sound tones can be played

\* Detailed instructions for multi-functional products are shown on page 28. (Wiring Instructions substitutes for channel selection switch)

### Ordering Specification

<b>QAD100H</b>	-	<b>110/220</b>	-	<b>R</b>
[Model number]		[Voltage]		[Color]
• QAD 100H • QAD125H		• 12/24-DC12V-24V • 110/220-AC110V-220V		• R-Red • A-Amber • G-Green • B-Blue