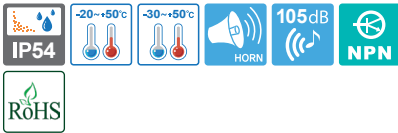


S125D series



Various built-in sound tones of Warning sounds, Alarms and Melodies



S125DLR



S125DL/ S125DS



S125D

Signal/ Warning Light and Electric Horn Combinations

Common Specifications(S125DLR/ S125DL/ S125DS/ S125D)

- Ø125mm signal/ warning light and electric horn combinations provides both audible and visual signaling capability in one unit
- Can select the proper signaling from a variety of light source and sound tone
- Materials : Lens-AS, Housing-ABS, Reflector-Heat resistant ABS
- Protection rating : IP54
- Compliant with RoHS directive (S125DLR/ S125DL)

S125DLR LED Revolving Light & Electric Horn

- Revolving speed : 120-140RPM
- Ambient operating temperature : -20°C to +50°C

| Model number | Voltage | Current | Sound Pattern and Volume | Certificates | Weight | Color |
|--------------|---------|---------|--|----------------|--------|-----------|
| S125DLR | DC12V | 0.483A | <ul style="list-style-type: none"> • WS-5 Warning sounds : 105dB • WM-5 Melodies : 105dB • WA-5 Alarms : 103dB • WV-5 Customizable sounds : 95dB | AC, DC24V only | 0.92kg | • R-Red |
| | DC24V | 0.327A | | | 0.92kg | • A-Amber |
| | AC110V | 0.120A | | | 1.29kg | • G-Green |
| | AC220V | 0.060A | | | 1.29kg | • B-Blue |

S125DL LED Steady/Flashing Light & Electric Horn

- Flashing rate : 60-80 flashes/min
(Built-in switch for selection between steady and flashing mode)
- Ambient operating temperature : -30°C to +50°C

| Model number | Voltage | Current | Sound Pattern and Volume | Certificates | Weight | Color |
|--------------|---------|------------|--|----------------|--------|-----------|
| S125DL | DC12V | Max. 0.520 | <ul style="list-style-type: none"> • WS-5 Warning sounds : 105dB • WM-5 Melodies : 105dB • WA-5 Alarms : 103dB • WV-5 Customizable sounds : 95dB | AC, DC24V only | 0.76kg | • R-Red |
| | -24V | | | | 1.16kg | • A-Amber |
| | AC110V | 0.125A | | | 1.16kg | • G-Green |
| | AC220V | 0.065A | | | 1.16kg | • B-Blue |

S125DS Xenon Lamp Strobe Light & Electric Horn

- Flashing rate : 60-80 flashes/min
- Ambient operating temperature : -30°C to +50°C

| Model number | Voltage | Current | Sound Pattern and Volume | Certificates | Weight | Bulb | Color |
|--------------|---------|-------------|--|----------------|--------|------|-----------|
| S125DS | DC12V | Max. 1.330A | <ul style="list-style-type: none"> • WS-5 Warning sounds : 105dB • WM-5 Melodies : 105dB • WA-5 Alarms : 103dB • WV-5 Customizable sounds : 95dB | AC, DC24V only | 0.78kg | 48 | • R-Red |
| | -24V | | | | | | |
| | AC110V | 0.230A | | | 1.23kg | | • G-Green |
| | AC220V | 0.155A | | | 1.23kg | | • B-Blue |

S125D Bulb Revolving Light & Electric Horn

- Revolving speed : 120-140RPM
- Ambient operating temperature : -20°C to +50°C
- Certificates : CE Compliant

| Model number | Voltage | Current | Bulb | | | Sound Pattern and Volume | Certificates | Weight | Color |
|--------------|---------|---------|--------|------------|----------|--|----------------|--------|---|
| | | | Spec | Standard | Parts no | | | | |
| S125D | DC12V | 1.266A | 12V10W | T16x35 15S | 9 | <ul style="list-style-type: none"> • WS-5 Warning sounds : 105dB • WM-5 Melodies : 105dB • WA-5 Alarms : 103dB • WV-5 Customizable sounds : 95dB | AC, DC24V only | 1.00kg | <ul style="list-style-type: none"> • R-Red • A-Amber • G-Green • B-Blue |
| | DC24V | 0.766A | 24V10W | T16x35 15S | 10 | | | 1.00kg | |
| | AC110V | 0.187A | 12V10W | T16x35 15S | 9 | | | 1.41kg | |
| | AC220V | 0.094A | 12V10W | T16x35 15S | 9 | | | 1.41kg | |

※ Please refer to Page144 for detailed specification of sound tones.

S125D series

Signal/ Warning Light and Electric Horn Combinations

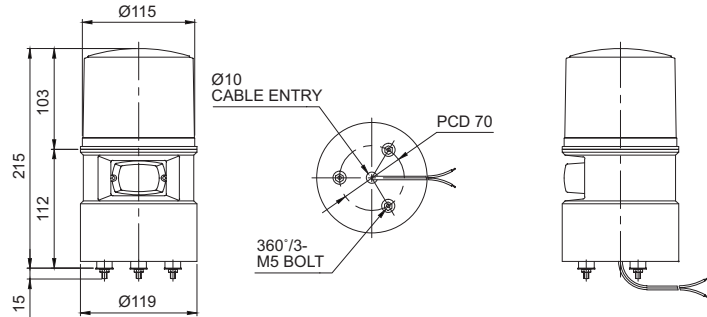


Technical Diagram

(Units : mm)



S125DLR/ S125DL/ S125DS/ S125D



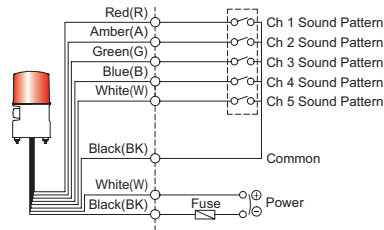
- S125D series comes with prerecorded sounds.
- For WV(5Customized Sounds)type, Input audio message needs to be provide by the customer prior to manufacturing.
- S125DL model wiring can be done with either external contact or external transistors.
- In case of wiring by using transistor, NPN transistor is needed and follow the wiring diagram on the right in order to wire properly.



Wiring Instructions

S125DLR/ S125DL/ S125DS/ S125D-DC/AC

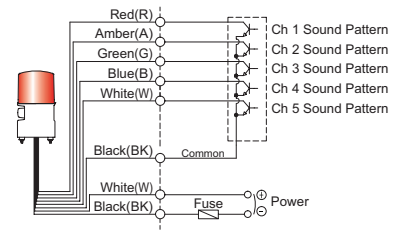
EXTERNAL CONTACT



S125DL-DC/AC

NPN-Transistor

EXTERNAL TRANSISTOR-NPN



- External power line standard : UL1015 AWG18(0.75sq)×2C 400mm
- External signal line standard : UL1007 AWG22(03sq) 400mm
- S125D, S125DLR : Black output line is Negative(-)



Do not apply voltage to each signal line. It may cause damage to the product. By default the warning light is turned on when the power is supplied, the voice/ alarm output is powered on by a separate connection. Please wire properly.



S125D is applied to a large press machine control panel.



Ordering Specification

| S125D | - | WA | - | 220 | - | R |
|--|---|--|---|---|---|---|
| [Model number] | | [Sound selection] | | [Voltage] | | [Color] |
| <ul style="list-style-type: none"> • S125DLR • S125DL • S125DS • S125D | | <ul style="list-style-type: none"> • WS-Warning • WM-Melody • WA-Alarm • WV-Customizable sound | | <ul style="list-style-type: none"> • 12-DC12V • 24-DC24V • 12/24-DC12V-24V (S125DL, S125DS only) • 110-AC110V • 220-AC220V | | <ul style="list-style-type: none"> • R-Red • A-Amber • G-Green • B-Blue |

Pre-recorded Sound Tone and Sound Combination Chart

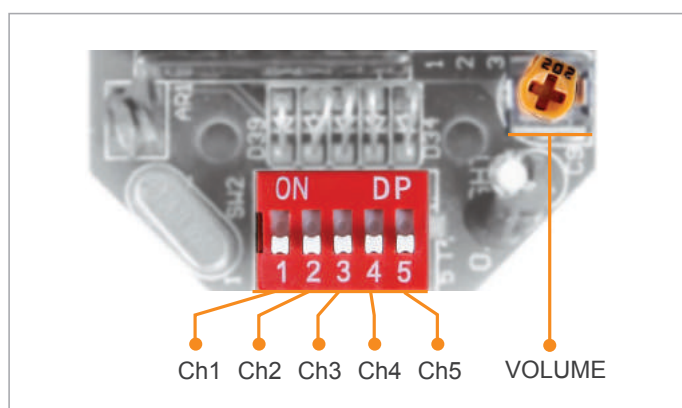
■ Sound tone combinations for standard type products

For standard type products, user can select from a variety of 5 pre-recorded sound combinations including 5 warning sounds, 5 special warning sounds, 5 melodies, 5 alarms, and 5 customizable sound.

| | Sound Category | Channel | Sound Tone | Sound Combination # |
|----|--------------------------|---------------------------------|---|---------------------|
| WS | 5 warning sounds | Ch1 Ch2 Ch3 Ch4 Ch5 | Fire.A-ANG Emergency WA-U(Yelp) Ambulance PI-PO(Hi-low) Machinery Fault High Expansion | WS/ WP No.1 |
| WP | 5 special warning sounds | Ch1 Ch2 Ch3 Ch4 Ch5 | Fire.A-ANG Abandon Alarm Machinery Fault High Expansion 7 Short Pl. / 1 Long | WS/ WP No.2 |
| WM | 5 melodies | Ch1 Ch2 Ch3 Ch4 Ch5 | Sweet Home For Elise Cuckoo's Waltz Piano Sonata Turkish March | WM/ WA No.1 |
| WA | 5 alarms | Ch1 Ch2 Ch3 Ch4 Ch5 | Beep Intermittent Door Chime Phone Ring PI.PI.PI Short Tripping Beat | WM/ WA No.2 |
| WV | 5 customizable sound | Ch1 Ch2 Ch3 Ch4 Ch5 | <ol style="list-style-type: none"> Voice messages are pre-recorded and provided from factory upon user's request Each channel has recording space for 16 sec 5 channels available When only one channel is used, maximum recordable space is 80 sec | - |

※ Please refer to page 24 for detailed information about selectable sound patterns.

■ Sound Selection of Signal Sounds



Standard specification : Use internal switches

Turn on dip switches of each channel, designated sound will be played.