

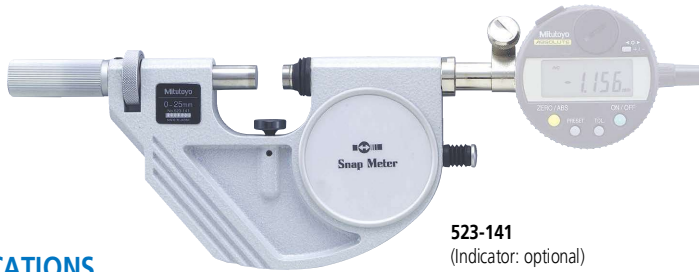
Micrometer

The origin of Mitutoyo's trustworthy brand of small tool instruments

Snap Meters SERIES 523

- Suited for the measurement of mass-produced parts.
- Various indicators (optional) are available to suit accuracy and resolution requirements.
- Measuring faces: Carbide.

B



523-141
(Indicator: optional)

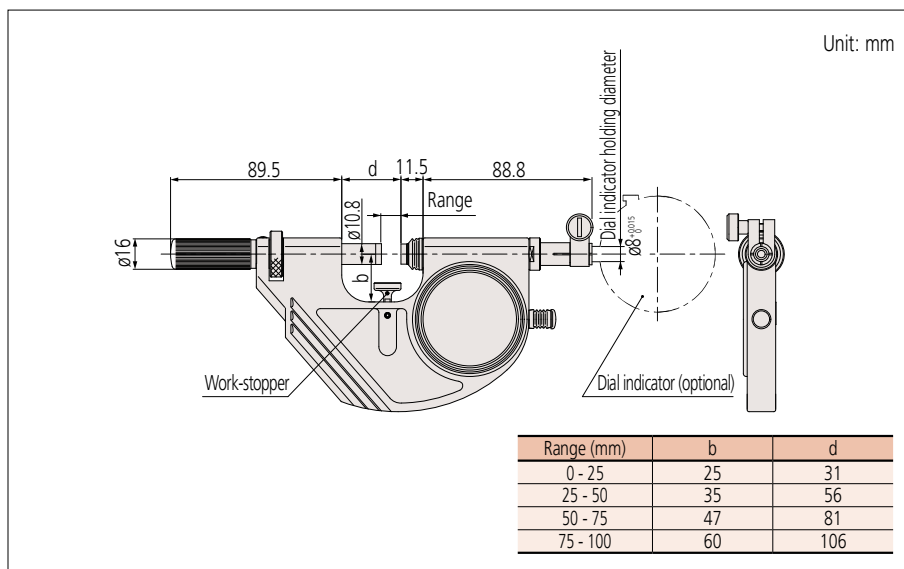
SPECIFICATIONS

Metric							
Order No.	Range (mm)	Anvil movement (mm)	Measuring force* (N)	Mass (g)	Repeatability of indication (μm)	Flatness (μm)	Parallelism (μm)
523-141	0 - 25	2	5 - 10	710	0.4	0.3	0.6
523-142	25 - 50			810			
523-143	50 - 75			920			
523-144	75 - 100			1050			1

Inch							
Order No.	Range (in)	Anvil movement (in)	Measuring force* (N)	Mass (g)	Repeatability of indication (in)	Flatness (in)	Parallelism (in)
523-151	0 - 1	0.078	5 - 10	710	0.00002	0.000012	0.000024
523-152	1 - 2			810			
523-153	2 - 3			920			
523-154	3 - 4			1050			0.00004

* Measured at the position where the anvil is retracted by 1 mm from the free position without installing the indicator.

DIMENSIONS

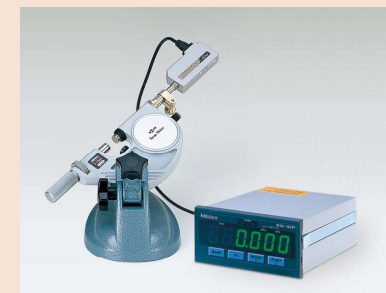


Typical Indicators Used with Gauge

- ID-C (0.001 mm)/543-390B
- LGF-L (0.0001 mm)/542-181 & Counter 542-015



ABS Digimatic Indicator



Linear Gauge and counter