

Robert Bosch GmbH
Power Tools Division
70745 Leinfelden-Echterdingen
Germany

www.bosch-pt.com

1 619 P10 068 (2012.03) 0 / 41 ASIA



1 619 P10 068

GGS Professional

3000 L | 5000 | 5000 L

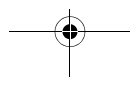
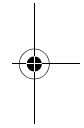
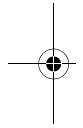
 **BOSCH**

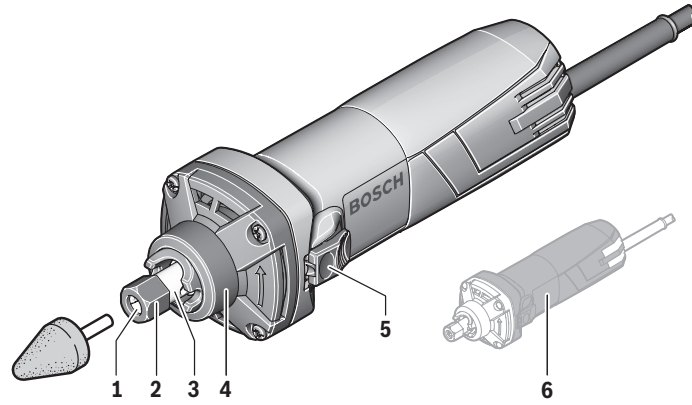
en Original instructions
cn 正本使用说明书
tw 正本使用說明書
ko 사용 설명서 원본
th หนังสือคู่มือภาษาอังกฤษฉบับต้นแบบ
id Petunjuk-Petunjuk untuk
Penggunaan Orisinal
vi Bảng hướng dẫn nguyên bản



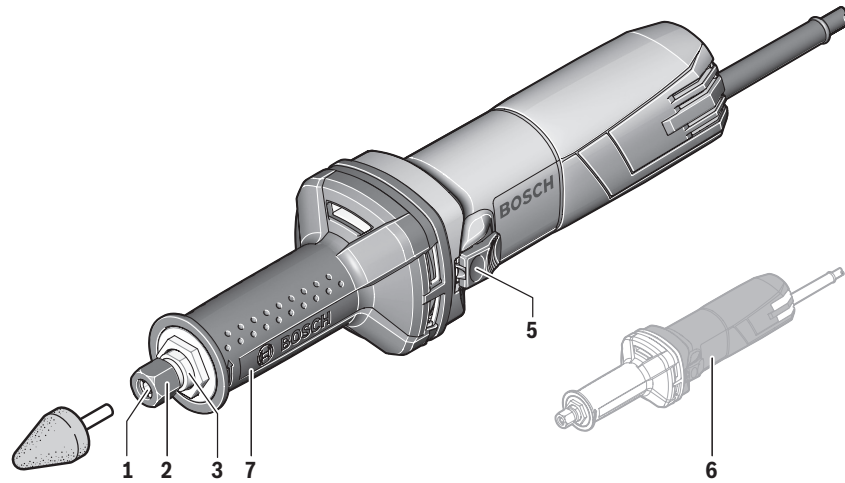


English	Page	5
中文	页	10
中文	頁	14
한국어	면	18
ภาษาไทย	หน้า	22
Bahasa Indonesia	Halaman	28
Tiếng Việt	Trang	33



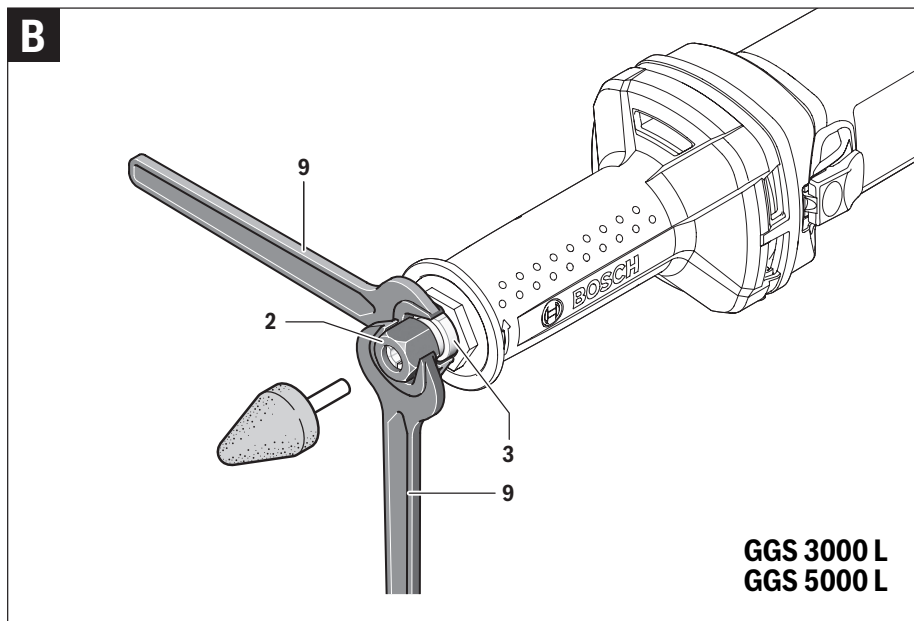
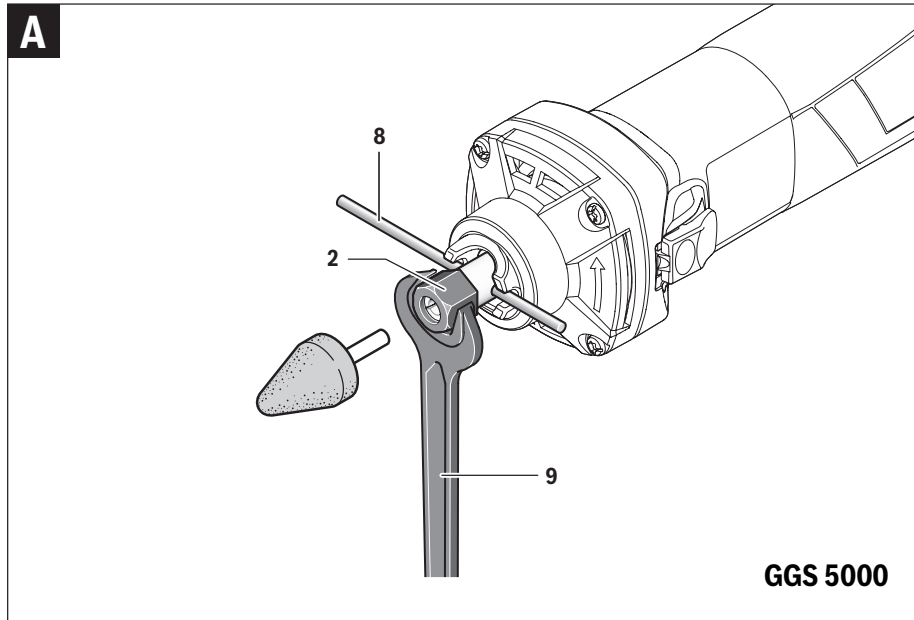


GG5 5000



GG5 3000 L
GG5 5000 L

4 |



English

Safety Notes

General Power Tool Safety Warnings

⚠ WARNING Read all safety warnings and all instructions. Failure to follow the warnings and instructions may result in electric shock, fire and/or serious injury.

Save all warnings and instructions for future reference.

The term "power tool" in the warnings refers to your mains-operated (corded) power tool or battery-operated (cordless) power tool.

Work area safety

- ▶ **Keep work area clean and well lit.** Cluttered or dark areas invite accidents.
- ▶ **Do not operate power tools in explosive atmospheres, such as in the presence of flammable liquids, gases or dust.** Power tools create sparks which may ignite the dust or fumes.
- ▶ **Keep children and bystanders away while operating a power tool.** Distractions can cause you to lose control.

Electrical safety

- ▶ **Power tool plugs must match the outlet. Never modify the plug in any way. Do not use any adapter plugs with earthed (grounded) power tools.** Unmodified plugs and matching outlets will reduce risk of electric shock.
- ▶ **Avoid body contact with earthed or grounded surfaces, such as pipes, radiators, ranges and refrigerators.** There is an increased risk of electric shock if your body is earthed or grounded.
- ▶ **Do not expose power tools to rain or wet conditions.** Water entering a power tool will increase the risk of electric shock.
- ▶ **Do not abuse the cord. Never use the cord for carrying, pulling or unplugging the power tool. Keep cord away from heat, oil, sharp edges and moving parts.** Damaged or entangled cords increase the risk of electric shock.
- ▶ **When operating a power tool outdoors, use an extension cord suitable for outdoor use.** Use of a cord suitable for outdoor use reduces the risk of electric shock.
- ▶ **If operating a power tool in a damp location is unavoidable, use a residual current device (RCD) protected supply.** Use of an RCD reduces the risk of electric shock.

Personal safety

- ▶ **Stay alert, watch what you are doing and use common sense when operating a power tool. Do not use a power tool while you are tired or under the influence of drugs, alcohol or medication.** A moment of inattention while operating power tools may result in serious personal injury.
- ▶ **Use personal protective equipment. Always wear eye protection.** Protective equipment such as dust mask, non-skid safety shoes, hard hat, or hearing protection used for appropriate conditions will reduce personal injuries.

- ▶ **Prevent unintentional starting. Ensure the switch is in the off-position before connecting to power source and/or battery pack, picking up or carrying the tool.** Carrying power tools with your finger on the switch or energising power tools that have the switch on invites accidents.
- ▶ **Remove any adjusting key or wrench before turning the power tool on.** A wrench or a key left attached to a rotating part of the power tool may result in personal injury.
- ▶ **Do not overreach. Keep proper footing and balance at all times.** This enables better control of the power tool in unexpected situations.
- ▶ **Dress properly. Do not wear loose clothing or jewelry. Keep your hair, clothing and gloves away from moving parts.** Loose clothes, jewellery or long hair can be caught in moving parts.
- ▶ **If devices are provided for the connection of dust extraction and collection facilities, ensure these are connected and properly used.** Use of dust collection can reduce dust-related hazards.

Power tool use and care

- ▶ **Do not force the power tool. Use the correct power tool for your application.** The correct power tool will do the job better and safer at the rate for which it was designed.
- ▶ **Do not use the power tool if the switch does not turn it on and off.** Any power tool that cannot be controlled with the switch is dangerous and must be repaired.
- ▶ **Disconnect the plug from the power source and/or the battery pack from the power tool before making any adjustments, changing accessories, or storing power tools.** Such preventive safety measures reduce the risk of starting the power tool accidentally.
- ▶ **Store idle power tools out of the reach of children and do not allow persons unfamiliar with the power tool or these instructions to operate the power tool.** Power tools are dangerous in the hands of untrained users.
- ▶ **Maintain power tools. Check for misalignment or binding of moving parts, breakage of parts and any other condition that may affect the power tool's operation. If damaged, have the power tool repaired before use.** Many accidents are caused by poorly maintained power tools.
- ▶ **Keep cutting tools sharp and clean.** Properly maintained cutting tools with sharp cutting edges are less likely to bind and are easier to control.
- ▶ **Use the power tool, accessories and tool bits etc. in accordance with these instructions, taking into account the working conditions and the work to be performed.** Use of the power tool for operations different from those intended could result in a hazardous situation.

Service

- ▶ **Have your power tool serviced by a qualified repair person using only identical replacement parts.** This will ensure that the safety of the power tool is maintained.

6 | English

Safety Warnings for Straight Grinders**Safety Warnings Common for Grinding**

- ▶ **This power tool is intended to function as a grinder. Read all safety warnings, instructions, illustrations and specifications provided with this power tool.** Failure to follow all instructions listed below may result in electric shock, fire and/or serious injury.
- ▶ **Operations such as sanding, wire brushing, polishing or cutting-off are not recommended to be performed with this power tool.** Operations for which the power tool was not designed may create a hazard and cause personal injury.
- ▶ **Do not use accessories which are not specifically designed and recommended by the tool manufacturer.** Just because the accessory can be attached to your power tool, it does not assure safe operation.
- ▶ **The rated speed of the accessory must be at least equal to the maximum speed marked on the power tool.** Accessories running faster than their rated speed can break and fly apart.
- ▶ **The outside diameter and the thickness of your accessory must be within the capacity rating of your power tool.** Incorrectly sized accessories cannot be adequately guarded or controlled.
- ▶ **The arbor size of wheels, flanges, backing pads or any other accessory must properly fit the spindle of the power tool.** Accessories with arbor holes that do not match the mounting hardware of the power tool will run out of balance, vibrate excessively and may cause loss of control.
- ▶ **Do not use a damaged accessory. Before each use inspect the accessory such as abrasive wheels for chips and cracks, backing pad for cracks, tear or excess wear, wire brush for loose or cracked wires. If power tool or accessory is dropped, inspect for damage or install an undamaged accessory. After inspecting and installing an accessory, position yourself and bystanders away from the plane of the rotating accessory and run the power tool at maximum no-load speed for one minute.** Damaged accessories will normally break apart during this test time.
- ▶ **Wear personal protective equipment. Depending on application, use face shield, safety goggles or safety glasses. As appropriate, wear dust mask, hearing protectors, gloves and workshop apron capable of stopping small abrasive or workpiece fragments.** The eye protection must be capable of stopping flying debris generated by various operations. The dust mask or respirator must be capable of filtrating particles generated by your operation. Prolonged exposure to high intensity noise may cause hearing loss.
- ▶ **Keep bystanders a safe distance away from work area. Anyone entering the work area must wear personal protective equipment.** Fragments of workpiece or of a broken accessory may fly away and cause injury beyond immediate area of operation.
- ▶ **Hold the power tool by insulated gripping surfaces only, when performing an operation where the cutting ac-**

cessory may contact hidden wiring or its own cord. Cutting accessory contacting a "live" wire may make exposed metal parts of the power tool "live" and could give the operator an electric shock.

- ▶ **Position the cord clear of the spinning accessory.** If you lose control of the power tool, the cord may be cut or snagged and your hand or arm may be pulled into the spinning accessory.
- ▶ **Never lay the power tool down until the accessory has come to a complete stop.** The spinning accessory may grab the surface and pull the power tool out of your control.
- ▶ **Do not run the power tool while carrying it at your side.** Accidental contact with the spinning accessory could snag your clothing, pulling the accessory into your body.
- ▶ **Regularly clean the power tool's air vents.** The motor's fan will draw the dust inside the housing and excessive accumulation of powdered metal may cause electrical hazards.
- ▶ **Do not operate the power tool near flammable materials.** Sparks could ignite these materials.
- ▶ **Do not use accessories that require liquid coolants.** Using water or other liquid coolants may result in electrocution or shock.

Kickback and related warnings

- ▶ Kickback is a sudden reaction to a pinched or snagged rotating wheel, backing pad, brush or any other accessory. Pinching or snagging causes rapid stalling of the rotating accessory which in turn causes the uncontrolled power tool to be forced in the direction opposite of the accessory's rotation at the point of the binding. For example, if an abrasive wheel is snagged or pinched by the workpiece, the edge of the wheel that is entering into the pinch point can dig into the surface of the material causing the wheel to climb out or kick out. The wheel may either jump toward or away from the operator, depending on direction of the wheel's movement at the point of pinching. Abrasive wheels may also break under these conditions. Kickback is the result of power tool misuse and/or incorrect operating procedures or conditions and can be avoided by taking proper precautions as given below.
- ▶ **Maintain a firm grip on the power tool and position your body and arm to allow you to resist kickback forces. Always use auxiliary handle, if provided, for maximum control over kickback or torque reaction during start-up.** The operator can control torque reactions or kickback forces, if proper precautions are taken.
- ▶ **Never place your hand near the rotating accessory.** Accessory may kickback over your hand.
- ▶ **Do not position your body in the area where power tool will move if kickback occurs.** Kickback will propel the tool in direction opposite to the wheel's movement at the point of snagging.
- ▶ **Use special care when working corners, sharp edges, etc. Avoid bouncing and snagging the accessory.** Corners, sharp edges or bouncing have a tendency to snag the rotating accessory and cause loss of control or kickback.

- ▶ **Do not attach a saw chain woodcarving blade or toothed saw blade.** Such blades create frequent kickback and loss of control over the power tool.

Additional safety instructions for grinding

- ▶ **Use only wheel types that are recommended for your power tool and the specific guard designed for the selected wheel.** Wheels for which the power tool was not designed cannot be adequately guarded and are unsafe.
- ▶ **Wheels must be used only for recommended applications. For example: do not grind with the side of the cut-off wheel.** Abrasive cut-off wheels are intended for peripheral grinding; side forces applied to these wheels may cause them to shatter.
- ▶ **Always use undamaged wheel flanges that are of correct size and shape for your selected wheel.** Proper wheel flanges support the wheel thus reducing the possibility of wheel breakage. Flanges for cut-off wheels may be different from grinding wheel flanges.
- ▶ **Do not use worn down wheels from larger power tools.** Wheels intended for larger power tools are not suitable for the higher speed of a smaller tool and may burst.

Additional safety warnings

Wear safety goggles.



- ▶ **Use suitable detectors to determine if utility lines are hidden in the work area or call the local utility company for assistance.** Contact with electric lines can lead to fire and electric shock. Damaging a gas line can lead to explosion. Penetrating a water line causes property damage or may cause an electric shock.
- ▶ **Release the On/Off switch and set it to the off position when the power supply is interrupted, e. g., in case of a power failure or when the mains plug is pulled.** This prevents uncontrolled restarting.
- ▶ **Do not touch grinding and cutting discs before they have cooled down.** The discs can become very hot while working.
- ▶ **Secure the workpiece.** A workpiece clamped with clamping devices or in a vice is held more secure than by hand.

Products sold in GB only: Your product is fitted with an BS 1363/A approved electric plug with internal fuse (ASTA approved to BS 1362).

If the plug is not suitable for your socket outlets, it should be cut off and an appropriate plug fitted in its place by an authorised customer service agent. The replacement plug should have the same fuse rating as the original plug.

The severed plug must be disposed of to avoid a possible shock hazard and should never be inserted into a mains socket elsewhere.

Products sold in AUS and NZ only: Use a residual current device (RCD) with a rated residual current of 30 mA or less.

Product Description and Specifications



Read all safety warnings and all instructions. Failure to follow the warnings and instructions may result in electric shock, fire and/or serious injury.

Intended Use

The machine is designed for grinding and deburring metal using corundum grinding tools, as well as for working with sanding wheels.

Product Features

The numbering of the product features refers to the illustration of the machine on the graphics page.

- 1 Collet
- 2 Clamping nut
- 3 Grinder spindle
- 4 Spindle collar
- 5 On/Off switch
- 6 Handle (insulated gripping surface)
- 7 Protective sleeve
- 8 Holding rod*
- 9 Open-end spanner, size 17 mm*

*Accessories shown or described are not part of the standard delivery scope of the product. A complete overview of accessories can be found in our accessories program.

Technical Data

Straight grinder		GG5 3000 L	GG5 5000	GG5 5000 L
Article number		3 601 B24 0..	3 601 B23 0..	3 601 B24 1..
Rated power input	W	300	500	500
Rated speed	min ⁻¹	28000	33000	33000
Collet chuck diameter, max.	mm	8	8	8
Spindle collar dia.	mm	41	43.5	41
Thickness of grinding wheels, max.	mm	30	30	30
Grinding tool diameter, max.	mm	25	25	25
Weight according to EPTA-Procedure 01/2003	kg	1.4	1.0	1.4
Protection class		□/II	□/II	□/II
The values given are valid for a nominal voltage [U] of 230 V. For different voltages and models for specific countries, these values can vary.				

8 | English

Assembly

- ▶ **Before any work on the machine itself, pull the mains plug.**

Mounting the Grinding Tools (GGS 5000) (see figure A)

- Clean the grinder spindle **3** and all parts to be mounted.
- Turn the grinder spindle **3** until the hole in the grinder spindle **3** and the openings of the housing are aligned. Insert the holding rod **8** through the openings of the housing and the hole of the grinder spindle **3**.
- Loosen the clamping nut **2** with the open-end spanner **9** (size 17 mm) by turning in anticlockwise direction.
- Insert the clamping shaft of the grinding tool to the stop into the collet chuck **1**.
- Tighten the clamping nut **2** with the open-end spanner **9** (size 17 mm) by turning in clockwise direction.

The grinding tools must run completely concentric. Do not continue to use out-of-round grinding accessories, instead, replace before continuing to work.

- ▶ **Do not tighten the collet chuck of the clamping nut as long as no grinding accessory is mounted.** Otherwise, the collet chuck can become damaged.

Mounting the Grinding Tools (GGS 3000 L / GGS 5000 L) (see figure B)

- Clean the grinder spindle **3** and all parts to be mounted.
- Hold the grinder spindle **3** with open-end spanner **9** by the spanner flats. Loosen the clamping nut **2** with open-end spanner **9** by applying it to the spanner flats and turning in anticlockwise direction.
- Insert the clamping shaft of the grinding tool to the stop into the collet chuck **1**.
- Hold the grinder spindle **3** firmly with open-end spanner **9** and clamp the tool bit with open-end spanner **9** by the spanner flats, turning in clockwise direction.

The grinding tools must run completely concentric. Do not continue to use out-of-round grinding accessories, instead, replace before continuing to work.

- ▶ **Do not tighten the collet chuck of the clamping nut as long as no grinding accessory is mounted.** Otherwise, the collet chuck can become damaged.

Dust/Chip Extraction

- ▶ Dusts from materials such as lead-containing coatings, some wood types, minerals and metal can be harmful to one's health. Touching or breathing-in the dusts can cause allergic reactions and/or lead to respiratory infections of the user or bystanders. Certain dusts, such as oak or beech dust, are considered as carcinogenic, especially in connection with wood-treatment additives (chromate, wood preservative). Materials containing asbestos may only be worked by specialists.
 - Provide for good ventilation of the working place.
 - It is recommended to wear a P2 filter-class respirator.

Observe the relevant regulations in your country for the materials to be worked.

- ▶ **Prevent dust accumulation at the workplace.** Dusts can easily ignite.

Operation

Starting Operation

- ▶ **Observe correct mains voltage! The voltage of the power source must agree with the voltage specified on the nameplate of the machine. Power tools marked with 230 V can also be operated with 220 V.**
- ▶ **Visually check the collet chuck **1** and the clamping nut **2** are free from cracks or defects before use.**

Switching On and Off

To **start** the power tool, push the On/Off switch **5** forwards.

To **lock** the On/Off switch **5**, press the On/Off switch **5** down at the front until it latches.

To **switch off** the power tool, release the On/Off switch **5** or, if it is locked, briefly push down the back of the On/Off switch **5** and then release it.

Working Advice

Optimum grinding results are achieved when the grinding tool is moved uniformly back and forth with light pressure. Pressure that is too strong reduces the performance capability of the machine and causes the grinding tool to wear more quickly.

Maintenance and Service

Maintenance and Cleaning

- ▶ **Before any work on the machine itself, pull the mains plug.**
- ▶ **For safe and proper working, always keep the machine and ventilation slots clean.**
- ▶ **In extreme conditions, always use dust extraction as far as possible. Blow out ventilation slots frequently and install a residual current device (RCD).** When working metals, conductive dust can settle in the interior of the power tool. The total insulation of the power tool can be impaired.

Please store and handle the accessory(-ies) carefully.

If the replacement of the supply cord is necessary, this has to be done by Bosch or an authorized Bosch service agent in order to avoid a safety hazard.

If the machine should fail despite the care taken in manufacturing and testing procedures, repair should be carried out by an after-sales service centre for Bosch power tools.

In all correspondence and spare parts order, please always include the 10-digit article number given on the type plate of the machine.

After-sales Service and Customer Assistance

Our after-sales service responds to your questions concerning maintenance and repair of your product as well as spare parts. Exploded views and information on spare parts can also be found under:

www.bosch-pt.com

Our customer service representatives can answer your questions concerning possible applications and adjustment of products and accessories.

People's Republic of China**China Mainland**

Bosch Power Tools (China) Co., Ltd.
567, Bin Kang Road
Bin Jiang District 310052
Hangzhou, P. R. China
Service Hotline: 400 826 8484
Fax: +86 571 8777 4502
E-Mail: contact.ptcn@cn.bosch.com
www.bosch-pt.com.cn

HK and Macau Special Administrative Regions

Robert Bosch Hong Kong Co. Ltd.
21st Floor, 625 King's Road
North Point, Hong Kong
Customer Service Hotline: +852 2101 0235
Fax: +852 2590 9762
E-Mail: info@hk.bosch.com
www.bosch-pt.com.hk

Indonesia

PT. Multi Mayaka
Kawasan Industri Pulogadung
Jalan Rawa Gelam III No. 2
Jakarta 13930
Indonesia
Tel.: +62 (21) 46 83 25 22
Fax: +62 (21) 46 82 86 45/68 23
E-Mail: sales@multimayaka.co.id
www.bosch-pt.co.id

Philippines

Robert Bosch, Inc.
28th Floor Fort Legend Towers,
3rd Avenue corner 31st Street,
Fort Bonifacio Global City,
1634 Taguig City, Philippines
Tel.: +63 (2) 870 3871
Fax: +63 (2) 870 3870
matheus.contiero@ph.bosch.com
www.bosch-pt.com.ph

Bosch Service Center:
9725-27 Kamagong Street
San Antonio Village
Makati City, Philippines
Tel.: +63 (2) 899 9091
Fax: +63 (2) 897 6432
rosalie.dagdagan@ph.bosch.com

Malaysia

Robert Bosch (S.E.A.) Sdn. Bhd.
No. 8A, Jalan 13/6
G.P.O. Box 10818
46200 Petaling Jaya
Selangor, Malaysia
Tel.: +60 (3) 7966 3194
Fax: +60 (3) 7958 3838
cheehoe.on@my.bosch.com
Toll-Free: 1800 880 188
www.bosch-pt.com.my

Thailand

Robert Bosch Ltd.
Liberty Square Building
No. 287, 11 Floor
Silom Road, Bangrak
Bangkok 10500
Tel.: +66 (2) 6 31 18 79 – 18 88 (10 lines)
Fax: +66 (2) 2 38 47 83
Robert Bosch Ltd., P. O. Box 2054
Bangkok 10501, Thailand

Bosch Service – Training Centre
2869-2869/1 Soi Ban Kluay
Rama IV Road (near old Paknam Railway)
Prakanong District
10110 Bangkok
Thailand
Tel.: +66 (2) 6 71 78 00 – 4
Fax: +66 (2) 2 49 42 96
Fax: +66 (2) 2 49 52 99

Singapore

Robert Bosch (SEA) Pte. Ltd.
11 Bishan Street 21
Singapore 573943
Tel.: +65 6571 2772
Fax: +65 6350 5315
leongheng.leow@sg.bosch.com
Toll-Free: 1800 333 8333
www.bosch-pt.com.sg

Vietnam

Robert Bosch Vietnam Co. Ltd
10/F, 194 Golden Building
473 Dien Bien Phu Street
Ward 25, Binh Thanh District
84 Ho Chi Minh City
Vietnam
Tel.: +84 (8) 6258 3690 ext. 413
Fax: +84 (8) 6258 3692
hieu.lagia@vn.bosch.com
www.bosch-pt.com

10 | 中文

Australia, New Zealand and Pacific Islands

Robert Bosch Australia Pty. Ltd.
Power Tools
Locked Bag 66
Clayton South VIC 3169
Customer Contact Center
Inside Australia:
Phone: +61 (01300) 307 044
Fax: + 61 (01300) 307 045
Inside New Zealand:
Phone: +64 (0800) 543 353
Fax: +64 (0800) 428 570
Outside AU and NZ:
Phone: +61 (03) 9541 5555
www.bosch.com.au

Disposal

The machine, accessories and packaging should be sorted for environmental-friendly recycling.

Do not dispose of power tools into household waste!

Subject to change without notice.

中文**安全规章****电动工具通用安全警告**

警告 阅读所有警告和所有说明！不遵照以下警告和说明会导致电击、着火和/或严重伤害。

保存所有警告和说明书以备查阅。

在所有下列的警告中术语“电动工具”指市电驱动（有线）电动工具或电池驱动（无线）电动工具。

工作场地的安全

- ▶ 保持工作场地清洁和明亮。混乱和黑暗的场地会引发事故。
- ▶ 不要在易燃环境，如有易燃液体、气体或粉尘的环境下操作电动工具。电动工具产生的火花会点燃粉尘或气体。
- ▶ 让儿童和旁观者离开后操作电动工具。注意力不集中会使你失去对工具的控制。

电气安全

- ▶ 电动工具插头必须与插座相配。绝不能以任何方式改装插头。需接地的电动工具不能使用任何转换插头。未经改装的插头和相配的插座将减少电击危险。
- ▶ 避免人体接触接地表面，如管道、散热片和冰箱。如果你身体接地会增加电击危险。
- ▶ 不得将电动工具暴露在雨中或潮湿环境中。水进入电动工具将增加电击危险。

- ▶ 不得滥用电线。绝不用电线搬运、拉动电动工具或拔出其插头。使电线远离热源、油、锐边或运动部件。受损或缠绕的软线会增加电击危险。
- ▶ 当在户外使用电动工具时，使用适合户外使用的外接软线。适合户外使用的软线将减少电击危险。
- ▶ 如果在潮湿环境下操作电动工具是不可避免的，应使用剩余电流动作保护器（RCD）。使用 RCD 可减少电击危险。

人身安全

- ▶ 保持警觉，当操作电动工具时关注所从事的操作并保持清醒。当你感到疲倦、或在有药物、酒精或治疗反应时，不要操作电动工具。在操作电动工具时瞬间的疏忽会导致严重人身伤害。
- ▶ 使用个人防护装置。始终佩戴护目镜。安全装置，诸如适当条件下使用防尘面具、防滑安全鞋、安全帽、听力防护等装置能减少人身伤害。
- ▶ 防止意外起动。确保开关在连接电源和/或电池盒、拿起或搬运工具时处于关断位置。手指放在已接通电源的开关上或开关处于接通时插入插头可能会导致危险。
- ▶ 在电动工具接通之前，拿掉所有调节钥匙或扳手。遗留在电动工具旋转零件上的扳手或钥匙会导致人身伤害。
- ▶ 手不要伸展得太长。时刻注意立足点和身体平衡。这样在意外情况下能很好地控制电动工具。
- ▶ 着装适当。不要穿宽松衣服或佩戴饰品。让你的衣服、手套和头发远离运动部件。宽松衣服、佩饰或长发可能会卷入运动部件中。
- ▶ 如果提供了与排屑、集尘设备连接用的装置，要确保他们连接完好且使用得当。使用这些装置可减少尘屑引起的危险。

电动工具使用和注意事项

- ▶ 不要滥用电线，根据用途使用适当的电动工具。选用适当设计的电动工具会使你工作更有效、更安全。
- ▶ 如果开关不能接通或关断工具电源，则不能使用该电动工具。不能用开关来控制的电动工具是危险的且必须进行修理。
- ▶ 在进行任何调节、更换附件或贮存电动工具之前，必须从电源上拔掉插头和/或使电池盒与工具脱开。这种防护性措施将减少工具意外起动的危险。
- ▶ 将闲置不用的电动工具贮存在儿童所及范围之外，并且不要让不熟悉电动工具或对这些说明不了解的人操作电动工具。电动工具在未经培训的用户手中是危险的。
- ▶ 保养电动工具。检查运动件是否调整到位或卡住，检查零件破损情况和影响电动工具运行的其他状况。如有损坏，电动工具应在使用前修理好。许多事故由维护不良的电动工具引发。

- ▶ **保持切削刀具锋利和清洁。** 保养良好的有锋利切削刃的刀具不易卡住而且容易控制。
- ▶ **按照使用说明书，考虑作业条件和进行的作业来使用电动工具、附件和工作头等。** 将电动工具用于那些与其用途不符的操作可能会导致危险。

维修

- ▶ **将你的电动工具送交专业维修人员，使用同样的备件进行修理。** 这样将确保所维修的电动工具的安全性。

针对直磨机安全规章

研磨时的一般性安全指示

- ▶ **本电动工具适合充当研磨机。请详阅机器附带的所有安全指示，使用说明，插图和技术数据等。** 如果未遵循以下的指示，可能会遭受电击造成火灾并且 / 或导致严重的伤害。
- ▶ **本电动工具不适合进行砂纸研磨，钢丝刷研磨，抛光和切割研磨。** 未依照规定使用机器可能危害他人或伤害自己。
- ▶ **不使用非工具制造商推荐和专门设计的附件。** 否则该附件可能被装到你的电动工具上，而它不能保证安全操作。
- ▶ **附件的额定速度必须至少等于电动工具上标出的最大速度。** 附件以比其额定速度大的速度运转会发生爆裂和飞溅。
- ▶ **附件的外径和厚度必须在电动工具额定能力范围之内。** 不正确的附件尺寸不能得到充分防护或控制。
- ▶ **砂轮，法兰盘，靠背垫或任何其他附件的轴孔尺寸必须适合于安装到电动工具的主轴上。** 带轴孔的，与电动工具安装件不配的附件将会失稳，过度振动并会引起失控。
- ▶ **不要使用损坏的附件。** 在每次使用前要检查附件，例如砂轮是否有碎片和裂缝，靠背垫是否有裂缝，撕裂或过度磨损，钢丝刷是否松动或金属丝是否断裂。如果电动工具或附件跌落了，检查是否有损坏或安装没有损坏的附件。检查和安装附件后，让自己和旁观者的位置远离旋转附件的平面，并以电动工具最大空载速度运行 1 分钟。损坏的附件通常在该试验时会碎裂。
- ▶ **戴上防护用品。** 根据适用情况，使用面罩，安全护目镜或安全眼镜。适用时，戴上防尘面具，听力保护器，手套和能挡小磨料或工件碎片的工作围裙。眼防护罩必须挡住各种操作产生的飞屑。防尘面具或口罩必须能够过滤操作产生的颗粒。长期暴露在高强度噪音中会引起失聪。
- ▶ **让旁观者与工作区域保持一安全距离。任何进入工作区域的人必须戴上防护用品。** 工件或破损附件的碎片可能会飞出并引起紧靠着操作区域的旁观者的伤害。切割附件触及带电导线会使电动工具外露的金属零件带电，并使操作者触电。
- ▶ **当在切割附件有可能切割到暗线或自身电线的场所进行操作时，只能通过绝缘握持面来握住电动工具。** 切割附件碰到一根带电导线可能会使电动工具外露的金属零件带电并使操作者发生电击危险。
- ▶ **使软线远离旋转的附件。** 如果控制不当，软线可能被切断或缠绕，并使得你的手或手臂可能被卷入旋转附件中。
- ▶ **直到附件完全停止运动才放下电动工具。并且不得使用任何外力迫使金刚石切割片停转。** 旋转的附件可能会抓住表面并拉动电动工具而让你失去对工具的控制。
- ▶ **当携带电动工具时不要开动它。** 意外地触及旋转附件可能会缠绕你的衣服而使附件伤害身体。
- ▶ **经常清理电动工具的通风口。** 电动机风扇会将灰尘吸进机壳，过多的金属粉末沉积会导致电气危险。
- ▶ **不要在易燃材料附近操作电动工具。** 火星可能会点燃这些材料。
- ▶ **不要使用需用冷却液的附件。** 用水或其他冷却液可能导致电腐蚀或电击。

反弹和相关警告

- ▶ **反弹是因卡住或缠绕住的旋转砂轮，靠背垫，钢丝刷或其他附件而产生的突然反作用力。** 卡住或缠绕会引起旋转附件的迅速堵转，随之失控的电动工具在卡住点产生与附件旋转方向相反的运动。例如，如果砂轮被工件缠绕或卡住了，伸入卡住点的砂轮边缘可能会进入材料表面而引起砂轮爬出或反弹。砂轮可能飞向或飞离操作者，这取决于砂轮在卡住点的运动方向。在此条件下砂轮也可能碎裂。反弹是电动工具误用和 / 或不正确操作工序或条件的结果。可以通过采取以下给出的适当预防措施得以避免。
- ▶ **保持紧握电动工具，使你的身体和手臂处于正确状态以抵抗反弹力。** 如有辅助手柄，则要一直使用，以便最大限度控制住启动时的反弹力或反力矩。如采取合适的预防措施，操作者就可以控制反力矩或反弹力。
- ▶ **绝不能将手靠近旋转附件。** 附件可能会反弹碰到手。
- ▶ **不要站在发生反弹时电动工具可能移动到的地方。** 反弹将在缠绕点驱使工具逆砂轮运动方向运动。
- ▶ **当在尖角、锐边等处作业时要特别小心。** 避免附件的弹跳和缠绕。尖角，锐边和弹跳具有缠绕旋转附件的趋势并引起反弹的失控。
- ▶ **不要安装上锯链、木雕刀片或带齿锯片。** 这些锯片会产生频繁的反弹和失控。

研磨时的特殊安全指示

- ▶ **只使用所推荐的砂轮型号和为选用砂轮专门设计的护罩。** 不是为电动工具设计的砂轮不能充分得到防护，是不安全的。
- ▶ **砂轮只用作推荐的用途。例如：不要用切割砂轮的侧面进行磨削。** 施加到砂轮侧面的力可能会使其碎裂。

12 | 中文

- ▶ **始终为所选砂轮选用未损坏的，有恰当规格和形状的砂轮法兰盘。**合适的砂轮法兰盘支承砂轮可以减小砂轮破裂的可能性。切割砂轮的法兰盘可以不同于砂轮法兰盘。
- ▶ **不要使用从大规格电动工具上用剩的磨损砂轮。**用于大规格电动工具上的砂轮不适用于较小规格工具的高速工况并可能会爆裂。

其它的警告事项



请佩戴护目镜。

- ▶ **使用合适的侦测装置侦察隐藏的电线，或者向当地的相关单位寻求支援。**接触电线可能引起火灾并让操作者触电。损坏了瓦斯管会引起爆炸。凿穿水管不仅会造成严重的财物损失，也可能导致触电。
- ▶ **如果电源突然中断，例如停电或不小心中断，得马上解除起停开关的锁定并把它设定在关闭的位置。**这样可以避免机器突然起动。
- ▶ **在研磨 / 割片尚未冷却之前，切勿持续研磨 / 割片。**工作时切割片会变得非常炙热。
- ▶ **固定好工件。**使用固定装置或老虎钳固定工件，会比用手紧握工件更牢固。

产品和功率描述



阅读所有的警告提示和指示。如未确实遵循警告提示和指示，可能导致电击、火灾并且 / 或其他的严重伤害。

按照规定使用机器

安装了金刚砂砂轮后，可以使用本电动工具研磨金属和磨削金属上的毛边。也可以在本机器上安装磨削砂带来进行研磨。

插图上的机件

机件的编号和电动工具详解图上的编号一致。

- 1 夹钳
- 2 夹紧螺母
- 3 主轴
- 4 主轴颈
- 5 起停开关
- 6 手柄（绝缘握柄）
- 7 保护套筒
- 8 支撑销*
- 9 开口尺寸 17 毫米的开口扳手*

* 图表或说明上提到的附件，并不包含在基本的供货范围中。本公司的附件清单中有完整的附件供应项目。

技术数据

直磨机		GG5 3000 L	GG5 5000	GG5 5000 L
物品代码		3 601 B24 0..	3 601 B23 0..	3 601 B24 1..
额定输入功率	瓦	300	500	500
额定转速	次 / 分	28000	33000	33000
最大夹钳直径	毫米	8	8	8
主轴颈直径	毫米	41	43,5	41
最大研磨体厚度	毫米	30	30	30
最大砂轮直径	毫米	25	25	25
重量符合 EPTA-Procedure 01/2003	公斤	1,4	1,0	1,4
绝缘等级		□/II	□/II	□/II

本说明书提供的参数是以 230 V 为依据，於低电压地区，此数据有可能不同。

安装

- ▶ **维修电动工具或换装零、配件之前，务必从插座上拔出插头。**

安装磨具 (GGS 5000) (参考插图 A)

- 清洁主轴 **3** 和所有即将安装的零件。
- 拧转主轴 **3** 让主轴 **3** 上的孔和机壳上的凹孔对齐。将支撑销 **8** 穿过机壳上的凹孔以及主轴 **3** 上的孔。
- 朝着反时针转向拧转开口扳手 **9** (开口尺寸 17 毫米) 来松开夹紧螺母 **2**。
- 把砂轮的固定柄插入夹钳 **1** 中，并将它向内推压到尽头。
- 朝着顺时针转向拧转开口扳手 **9** (开口尺寸 17 毫米) 来拧紧夹紧螺母 **2**。

研磨体必须能够无暇且均匀地旋转。不可以继续使用已经变形的研磨体，必须马上更换变形的研磨体。

- ▶ **在尚未安装砂轮时，切勿拧紧安装着夹紧螺母的夹钳。** 否则会损坏夹钳。

安装磨具 (GGS 3000 L/GGS 5000 L) (参考插图 B)

- 清洁主轴 **3** 和所有即将安装的零件。
- 把开口扳手 **9** 插入扳手的插放位置，以便固定主轴 **3**。
- 朝着逆时针的转向拧转插在扳手插放位置上的开口扳手 **9**，以拧松夹紧螺母 **2**。
- 把砂轮的固定柄插入夹钳 **1** 中，并将它向内推压到尽头。
- 把开口扳手 **9** 插入扳手的插放位置，以便固定主轴 **3**。朝着顺时针的转向拧转插在扳手插放位置上的开口扳手 **9**，以夹紧工具。

研磨体必须能够无暇且均匀地旋转。不可以继续使用已经变形的研磨体，必须马上更换变形的研磨体。

- ▶ **在尚未安装砂轮时，切勿拧紧安装着夹紧螺母的夹钳。** 否则会损坏夹钳。

吸锯尘 / 吸锯屑

- ▶ 含铅的颜料以及某些木材、矿物和金属的加工粉尘有害健康。机器操作者或者工地附近的人如果接触、吸入这些粉尘，可能会有过敏反应或者感染呼吸道疾病。某些尘埃（例如加工橡木或山毛榉的粉尘）可能致癌，特别是和处理木材的添加剂（例如木材的防腐剂等）结合之后。只有经过专业训练的人才能加工含石棉的物料。
 - 工作场所要保持空气流通。
 - 最好佩戴 P2 滤网等级的口罩。
 请留心并遵守贵国和加工物料有关的法规。
- ▶ **避免让工作场所堆积过多的尘垢。** 尘埃容易被点燃。

操作

操作机器

- ▶ **注意电源的电压！电源的电压必须和电动工具铭牌上标示的电压一致。**
- ▶ **操作前先检查夹钳 **1** 和夹紧螺母 **2** 是否有可见的损毁。**

开动 / 关闭

开动 电动工具时，必须向前推移起停开关 **5**。

按下起停开关 **5** 的前端并让开关卡在这个位置，便可以**固定**起停开关 **5**。

放开起停开关 **5** 即可**关闭**电动工具。如果开关被固定了，可以先按下起停开关 **5** 的后端并随即放开。

有关操作方式的指点

轻轻施压并均匀地来回移动磨具，如此能够获得最佳的工作效果。如果过度加压，不仅会降低电动工具的功率，而且会加速磨具的损耗率。

维修和服务

维修和清洁

- ▶ **维修电动工具或换装零、配件之前，务必从插座上拔出插头。**
- ▶ **电动工具和通风间隙都必须保持清洁，这样才能够提高工作品质和安全性。**
- ▶ **在某些极端的操作环境下，如果可能的话一定要使用吸尘装备。吹除通气孔中的污垢并且要使用剩余电流 - (FI) - 保护开关。** 加工金属时可能在电动工具的内部堆积会导电的粉尘。这样可能会影响电动工具的安全绝缘性能。

小心地保存和使用附件。

如果必须更换连接线，务必把这项工作交给博世或者经授权的博世电动工具顾客服务执行，以避免危害机器的安全性能。

本公司生产的电动工具都经过严密的品质检验，如果机器仍然发生故障，请将机器交给博世电动工具公司授权的顾客服务处修理。

询问和订购备件时，务必提供机器铭牌上标示的 10 位数物品代码。

顾客服务处和顾客咨询中心

本公司顾客服务处负责回答有关本公司产品的修理，维护和备件的问题。以下的网页中有爆炸图和备件的资料：

www.bosch-pt.com

博世顾客咨询团队非常乐意为您解答有关购买，使用和设定本公司产品及附件的问题。

14 | 中文

有关保证，维修或更换零件事宜，请向合格的经销商查询。

中国大陆

博世电动工具（中国）有限公司
中国 浙江省 杭州市
滨江区滨康路 567 号
邮政编码：310052
免费服务热线：400 826 8484
传真：+86 571 8777 4502
电邮：contact.ptcn@cn.bosch.com
www.bosch-pt.com.cn

羅伯特·博世有限公司
香港北角英皇道 625 號 21 樓
客戶服務熱線：+852 2101 0235
傳真：+852 2590 9762
電郵：info@hk.bosch.com
網站：www.bosch-pt.com.hk

制造商地址：

罗伯特博世有限公司
营业范围电动工具
邮箱号码 100156
70745 Leinfelden-Echterdingen（莱菲登·艾希德登）
Deutschland（德国）

处理废弃物

必须以符合环保的方式，回收再利用损坏的机器、附件和废弃的包装材料。

不可以把电动工具丢入家庭垃圾中！

保留修改权。**中文****安全規章****電動工具通用安全警告**

警告 閱讀所有警告和所有說明。不遵照以下警告和說明會導致電擊、著火和/或嚴重傷害。

保存所有警告和說明書以備查閱。

在所有下列的警告中術語“電動工具”指市電驅動（有線）電動工具或電池驅動（無線）電動工具。

工作場地的安全

- ▶ 保持工作場地清潔和明亮。混亂和黑暗的場地會引發事故。
- ▶ 不要在易爆環境，如有易燃液體、氣體或粉塵的環境下操作電動工具。電動工具產生的火花會點燃粉塵或氣體。
- ▶ 讓兒童和旁觀者離開後操作電動工具。注意力不集中會使你失去對工具的控制。

1619 P10 068 | (6.3.12)

電氣安全

- ▶ 電動工具插頭必須與插座相配。絕不能以任何方式改裝插頭。需接地的電動工具不能使用任何轉換插頭。未經改裝的插頭和相配的插座將減少電擊危險。
- ▶ 避免人體接觸接地表面，如管道、散熱片和冰箱。如果你身體接地會增加電擊危險。
- ▶ 不得將電動工具暴露在雨中或潮濕環境中。水進入電動工具將增加電擊危險。
- ▶ 不得濫用電線。絕不能用電線搬運、拉動電動工具或拔出其插頭。使電線遠離熱源、油、銳邊或運動部件。受損或纏繞的軟線會增加電擊危險。
- ▶ 當在戶外使用電動工具時，使用適合戶外使用的外接軟線。適合戶外使用的軟線，將減少電擊危險。
- ▶ 如果在潮濕環境下操作電動工具是不可避免的，應使用剩餘電流動作保護器（RCD）。使用 RCD 可減小電擊危險。

人身安全

- ▶ 保持警覺，當操作電動工具時關注所從事的操作並保持清醒。當你感到疲倦，或在有藥物、酒精或治療反應時，不要操作電動工具。在操作電動工具時瞬間的疏忽會導致嚴重人身傷害。
- ▶ 使用個人防護裝置。始終佩戴護目鏡。安全裝置，諸如適當條件下使用防塵面具、防滑安全鞋、安全帽、聽力防護等裝置能減少人身傷害。
- ▶ 防止意外起動。確保開關在連接電源和/或電池盒、拿起或搬運工具時處於關斷位置。手指放在已接通電源的開關上或開關處於接通時插入插頭可能會導致危險。
- ▶ 在電動工具接通之前，拿掉所有調節鑰匙或扳手。遺留在電動工具旋轉零件上的扳手或鑰匙會導致人身傷害。
- ▶ 手不要伸展得太長。時刻注意立足點和身體平衡。這樣在意外情況下能很好地控制電動工具。
- ▶ 著裝適當。不要穿寬鬆衣服或佩戴飾品。讓你的衣服、手套和頭髮遠離運動部件。寬鬆衣服、佩飾或長髮可能會捲入運動部件中。
- ▶ 如果提供了與排屑、集塵設備連接用的裝置，要確保他們連接完好且使用得當。使用這些裝置可減少塵屑引起的危險。

電動工具使用和注意事項

- ▶ 不要濫用電動工具，根據用途使用適當的電動工具。選用適當設計的電動工具會使你工作更有效、更安全。
- ▶ 如果開關不能接通或關斷工具電源，則不能使用該電動工具。不能用開關來控制的電動工具是危險的且必須進行修理。
- ▶ 在進行任何調節、更換附件或貯存電動工具之前，必須從電源上拔掉插頭和/或使電池盒與工具脫開。這種防護性措施將減少工具意外起動的危險。

Bosch Power Tools

- ▶ 將閒置不用的電動工具貯存在兒童所及範圍之外，並且不要讓不熟悉電動工具或對這些說明不瞭解的人操作電動工具。電動工具在未經培訓的用戶手中是危險的。
- ▶ 保養電動工具。檢查運動件是否調整到位或卡住，檢查零件破損情況和影響電動工具運行的其他狀況。如有損壞，電動工具應在使用前修理好。許多事故由維護不良的電動工具引發。
- ▶ 保持切削刀具鋒利和清潔。保養良好的有鋒利切削刃的刀具不易卡住而且容易控制。
- ▶ 按照使用說明書，考慮作業條件和進行的作業來使用電動工具、附件和工具的刀頭等。將電動工具用於那些與其用途不符的操作可能會導致危險。

檢修

- ▶ 將你的電動工具送交專業維修人員，必須使用同樣的備件進行更換。這樣將確保所維修的電動工具的安全性。

針對直磨機的安全規章

研磨時的一般性安全指示

- ▶ 本電動工具適合充當研磨機。請詳閱機器附帶的所有安全指示，使用說明，插圖和技術數據等。如果未遵循以下的指示，可能會遭受電擊造成火災並且 / 或導致嚴重的傷害。
- ▶ 本電動工具不適合進行砂紙研磨，鋼絲刷研磨，拋光和切削研磨。未依照規定使用機器可能危害他人或傷害自己。
- ▶ 不使用非工具制造商推薦和專門設計的附件。否則該附件可能被裝到你的電動工具上，而它不能保證安全操作。
- ▶ 附件的額定速度必須至少等於電動工具上標出的最大速度。附件比其額定速度大的速度運轉會發生爆裂和飛濺。
- ▶ 附件的外徑和厚度必須在電動工具額定能力範圍之內。不正確的附件尺寸不能得到充分防護或控制。
- ▶ 砂輪，法蘭盤，靠背墊或任何其他附件的軸孔尺寸必須適合於安裝到電動工具的主軸上。帶軸孔的，與電動工具安裝件不配的附件將會失穩，過度振動並會引起失控。
- ▶ 不要使用損壞的附件。在每次使用前要檢查附件，例如砂輪是否有碎片和裂縫，靠背墊是否有裂縫，撕裂或過度磨損，鋼絲刷是否鬆動或金屬絲是否斷裂。如果電動工具或附件跌落了，檢查是否有損壞或安裝沒有損壞的附件。檢查和安裝附件後，讓自己和旁觀者的位置遠離旋轉附件的平面，並以電動工具最大空載速度運行 1 分鐘。損壞的附件通常在該試驗時會碎裂。
- ▶ 戴上防護用品。根據適用情況，使用面罩，安全護目鏡或安全眼鏡。適用時，戴上防塵面具，聽力保護器，手套和能擋小磨料或工件碎片的工作圍裙。眼防護罩必須擋住各種操作產生的飛屑。防塵面具或口罩必須能夠過濾操作產生的顆粒。長期暴露在高強度噪音中會引起失聰。

- ▶ 讓旁觀者與工作區域保持一安全距離。任何進入工作區域的人必須戴上防護用品。工件或破損附件的碎片可能會飛出並引起緊靠著操作區域的旁觀者的傷害。切割附件觸及帶電導線會使電動工具外露的金屬零件帶電，並使操作者觸電。

- ▶ 當在切割附件有可能切割到暗線或自身電線的場所進行操作時，只能通過絕緣握持面來握住電動工具。切割附件碰到一根帶電導線會使電動工具外露的金屬零件帶電並使操作者發生電擊危險。

- ▶ 使軟線遠離旋轉的附件。如果控制不當，軟線可能被切斷或纏繞，並使得你的手或手臂可能被卷入旋轉附件中。

- ▶ 直到附件完全停止運動才放下電動工具。並且不得使用任何外力迫使金剛石切片停轉。旋轉的附件可能會抓住表面並拉動電動工具而讓你失去對工具的控制。

- ▶ 當攜帶電動工具時不要開動它。意外地觸及旋轉附件可能會纏繞你的衣服而使附件傷害身體。

- ▶ 經常清理電動工具的通風口。電動機風扇會將灰塵吸進機殼，過多的金屬粉末沉積會導致電氣危險。

- ▶ 不要在易燃材料附近操作電動工具。火星可能會點燃這些材料。

- ▶ 不要使用需用冷卻液的附件。用水或其他冷卻液可能導致電腐蝕或電擊。

反彈和相關警告

- ▶ 反彈是因卡住或纏繞住的旋轉砂輪，靠背墊，鋼絲刷或其他附件而產生的突然反作用力。卡住或纏繞會引起旋轉附件的迅速堵轉，隨之使失控的電動工具在卡住點產生與附件旋轉方向相反的運動。

例如，如果砂輪被工件纏繞或卡住了，伸入卡住點的砂輪邊緣可能會進入材料表面而引起砂輪爬出或反彈。砂輪可能飛向或飛離操作者，這取決於砂輪在卡住點的運動方向。在此條件下砂輪也可能碎裂。反彈是電動工具誤用和 / 或不正確操作工序或條件的結果。可以通過採取以下給出的適當預防措施得以避免。

- ▶ 保持緊握電動工具，使你的身體和手臂處於正確狀態以抵抗反彈力。如有輔助手柄，則要一直使用，以便最大限度控制住起動時的反彈力或反力矩。如採取合適的預防措施，操作者就可以控制反力矩或反彈力。

- ▶ 絕不能將手靠近旋轉附件。附件可能會反彈到手。

- ▶ 不要站在發生反彈時電動工具可能移動到的地方。反彈將在纏繞點驅使工具逆砂輪運動方向運動。

- ▶ 當在尖角，銳邊等處作業時要特別小心。避免附件的彈跳和纏繞。尖角，銳邊和彈跳具有纏繞旋轉附件的趨勢並引起反彈的失控。

16 | 中文

- ▶ **不要附裝上鋸鏈，木雕刀片或帶齒鋸片。**這些鋸片會產生頻繁的反彈和失控。

研磨時的特殊安全指示

- ▶ **只使用所推薦的砂輪型號和為選用砂輪專門設計的護罩。**不是為電動工具設計的砂輪不能充分得到防護，是不安全的。
- ▶ **砂輪只用作推薦的用途。**例如：不要用於切割砂輪的側面進行磨削。施加到砂輪側面的力可能會使其碎裂。
- ▶ **始終為所選砂輪選用未損壞的，有恰當規格和形狀的砂輪法蘭盤。**合適的砂輪法蘭盤支撐砂輪可以減小砂輪破裂的可能性。切割砂輪的法蘭盤可以不同於砂輪法蘭盤。
- ▶ **不要使用從大規格電動工具上用剩的磨損砂輪。**用於大規格電動工具上的砂輪不適於較小規格工具的高速工況並可能會爆裂。

其它的警告事項



請佩戴護目鏡。

- ▶ **使用合適的偵測裝置偵察隱藏的電線，或者向當地的相關單位尋求支援。**接觸電線可能引起火災並讓操作者觸電。損壞了瓦斯管會引起爆炸。鑿穿水管不僅會造成嚴重的財物損失，也可能導致觸電。
- ▶ **如果電源突然中斷，例如停電或不小心拔出插頭，得馬上解除起停開關的鎖定，並把它設定在關閉的位置。**這樣可以避免機器突然再起動而造成失控。

- ▶ **在研磨 / 割片尚未冷卻之前，切勿持握研磨 / 割片。**工作時切割片會變得非常炙熱。
- ▶ **固定好工件。**使用固定裝置或老虎鉗固定工件，會比用手持握工件更牢固。

產品和功率描述



閱讀所有的警告提示和指示。如未確實遵循警告提示和指示，可能導致電擊、火災並且 / 或其他的嚴重傷害。

按照規定使用機器

安裝了金剛砂砂輪後，可以使用本電動工具研磨金屬和磨處金屬上的毛邊。也可以在本機器上安裝磨削砂帶來進行研磨。

插圖上的機件

機件的編號和電動工具詳解圖上的編號一致。

- 1 夾鉗
- 2 夾緊螺母
- 3 主軸
- 4 主軸頭
- 5 起停開關
- 6 手柄（絕緣握柄）
- 7 保護套筒
- 8 支撐銷*
- 9 開口尺寸 17 毫米的開口扳手*

*圖表或說明上提到的附件，並不包含在基本的供貨範圍中。本公司的附件清單中有完整的附件供應項目。

技術性數據

直磨機		GG5 3000 L	GG5 5000	GG5 5000 L
物品代碼		3 601 B24 0..	3 601 B23 0..	3 601 B24 1..
額定輸入功率	瓦	300	500	500
額定轉速	次 / 分	28000	33000	33000
最大夾鉗直徑	毫米	8	8	8
主軸頭直徑	毫米	41	43,5	41
最大研磨體厚度	毫米	30	30	30
最大研磨體直徑	毫米	25	25	25
重量符合 EPTA-Procedure 01/2003	公斤	1,4	1,0	1,4
絕緣等級		□/II	□/II	□/II

本說明書提供的參數是以 230 伏特為依據，於低電壓地區，此數據有可能不同。

安裝

- ▶ **維修電動工具或換裝零、配件之前，務必從插座上拔出插頭。**

安裝磨具 (GGS 5000) (參考插圖 A)

- 清潔主軸 **3** 和所有即將安裝的零件。
- 擰轉主軸 **3** 讓主軸 **3** 上的孔和機殼上的凹孔對齊。將支撐銷 **8** 穿過機殼上的凹孔以及主軸 **3** 上的孔。
- 朝著反時鐘轉向擰轉開口扳手 **9** (開口尺寸 17 毫米) 來松开夾緊螺母 **2**。
- 把砂輪的固定柄插入夾鉗 **1** 中，並將它向內推壓到盡頭。
- 朝著順時鐘轉向擰轉開口扳手 **9** (開口尺寸 17 毫米) 來擰緊夾緊螺母 **2**。

磨具必須能夠無瑕地均勻旋轉。不可以繼續使用無法均勻旋轉的磨具，必須更換此磨具。

- ▶ **在尚未安裝砂輪時，切勿擰緊安裝著夾緊螺母的夾鉗。否則會損壞夾鉗。**

安裝磨具 (GGS 3000 L/GGS 5000 L) (參考插圖 B)

- 清潔主軸 **3** 和所有即將安裝的零件。
- 把開口扳手 **9** 插入扳手的插放位置，以便固定主軸 **3**。
- 朝著逆時鐘的轉向擰轉插在扳手插放位置上的開口扳手 **9**，以擰鬆夾緊螺母 **2**。
- 把砂輪的固定柄插入夾鉗 **1** 中，並將它向內推壓到盡頭。
- 把開口扳手 **9** 插入扳手的插放位置，以便固定主軸 **3**。朝著順時鐘的轉向擰轉插在扳手插放位置上的開口扳手 **9**，以夾緊工具。

磨具必須能夠無瑕地均勻旋轉。不可以繼續使用無法均勻旋轉的磨具，必須更換此磨具。

- ▶ **在尚未安裝砂輪時，切勿擰緊安裝著夾緊螺母的夾鉗。否則會損壞夾鉗。**

吸鋸塵 / 吸鋸屑

- ▶ 含鉛的顏料以及某些木材、礦物和金屬的加工廢塵有害健康。機器操作者或者工地附近的人如果接觸、吸入這些廢塵，可能會有過敏反應或者感染呼吸道疾病。某些塵埃 (例如加工橡木或山毛櫸的廢塵) 可能致癌，特別是和處理木材的添加劑 (例如木材的防腐劑等) 結合之後。只有經過專業訓練的人才能夠加工含石棉的物料。
 - 工作場所要保持空氣流通。
 - 最好佩戴 P2 濾網等級的口罩。
 請留心並遵守貴國和加工物料有關的法規。
- ▶ **避免讓工作場所堆積過多的塵垢。塵埃容易被點燃。**

操作

操作機器

- ▶ **注意電源的電壓！電源的電壓必須和電動工具銘牌上標示的電壓一致。**

- ▶ **操作前檢查夾鉗 **1** 和夾緊螺母 **2** 是否有可見的損毀。**

開動 / 關閉

開動 電動工具時，必須向前推移起停開關 **5**。

按下起停開關 **5** 的前端並讓開關卡在這個位置，便可以**固定**起停開關 **5**。

放開起停開關 **5** 即可**關閉**電動工具。如果開關被固定了，可以先按下起停開關 **5** 的後端並隨即放開。

有關操作方式的指點

輕輕施壓並均勻地來回移動磨具，如此能夠獲得最佳的工作效果。如果過度加壓，不僅會降低電動工具的功率，而且會加速磨具的耗損率。

維修和服務

維修和清潔

- ▶ **維修電動工具或換裝零、配件之前，務必從插座上拔出插頭。**
- ▶ **電動工具和通風間隙都必須保持清潔，這樣才能夠提高工作品質和安全性。**
- ▶ **在某些極端的操作環境下，如果可能的話一定要使用吸塵裝備。吹除通氣孔中的污垢並且要使用剩于電流 - (FI) - 保護開關。**加工金屬時可能在電動工具的內部堆積會導電的廢塵。這樣可能會影響電動工具的安全絕緣性能。

小心地保存和使用附件。

如果必須更換連接線，務必把這項工作交給博世或者經授權的博世電動工具顧客服務執行，以避免危害機器的安全性能。

本公司生產的電動工具都經過嚴密的品質檢驗，如果機器仍然發生故障，請將機器交給博世電動工具公司授權的顧客服務處修理。

詢問和訂購備件時，務必提供機器銘牌上標示的 10 位數物品代碼。

顧客服務處和顧客諮詢中心

本公司顧客服務處負責回答有關本公司產品的修理，維護和備件的問題。以下的網頁中有爆炸圖和備件的資料：
www.bosch-pt.com

博世顧客諮詢團隊非常樂意為您解答有關購買，使用和設定本公司產品及附件的問題。

18 | 한국어

台灣

台灣羅伯特博世股份有限公司
 建國北路一段 90 號 6 樓
 台北市 10491
 電話: +886 (2) 2515 5388
 傳真: +886 (2) 2516 1176
 www.bosch-pt.com.tw

製造商地址:

羅伯特博世有限公司
 營業範圍電動工具
 郵箱號碼 100156
 70745 Leinfelden-Echterdingen (萊菲登·艾希德登)
 Deutschland (德國)

處理廢棄物

必須以符合環保的方式, 回收再利用損壞的機器、附件和廢棄的包裝材料。

不可以把電動工具丟入家庭垃圾中。

保留修改權。

한국어

안전 수칙

전동공구용 일반 안전수칙

⚠ 경고 모든 안전수칙과 지시 사항을 상세히 읽고 지켜야 합니다. 다음의 안전수칙과 지시 사항을 준수하지 않으면 화재 위험이 있으며 감전 혹은 중상을 입을 수 있습니다.

앞으로의 참고를 위해 이 안전수칙과 사용 설명서를 잘 보관하십시오.

다음에서 사용되는 "전동공구" 라는 개념은 전원에 연결하여 사용하는 전동 기기 (전선이 있는) 나 배터리를 사용하는 전동 기기 (전선이 없는) 를 의미합니다.

작업장 안전

- ▶ **작업장을 항상 깨끗이 하고 조명을 밝게 하십시오.**
작업장 환경이 어수선하거나 어두우면 사고를 초래할 수 있습니다.
- ▶ **가연성 유체, 가스 또는 분진이 있어 폭발 위험이 있는 환경에서 전동공구를 사용하지 마십시오.** 전동공구는 분진이나 증기에 점화하는 스파크를 일으킬 수 있습니다.
- ▶ **전동공구를 사용할 때 구경꾼이나 어린이 혹은 다른 사람이 작업장에 접근하지 못하게 하십시오.** 다른 사람이 주의를 산만하게 하면 기기에 대한 통제를 잃기 쉽습니다.

전기에 관한 안전

- ▶ **전동공구의 전원 플러그가 전원 콘센트에 잘 맞아야 합니다.** 플러그를 조금이라도 변경시켜서는 안됩니다. 접지된 전동공구를 사용할 때 어댑터 플러그를 사용하지 마십시오. 변형되지 않은 플러그와 잘 맞는 콘센트를 사용하면 감전의 위험을 감소할 수 있습니다.
- ▶ **파이프관, 라디에이터, 배인지, 냉장고와 같은 접지 표면에 몸이 닿지 않도록 하십시오.** 몸에 닿을 경우 감전될 위험이 높습니다.
- ▶ **전동공구를 비에 맞지 않게 하고 습기 있는 곳에 두지 마십시오.** 전동공구에 물이 들어가면 감전될 위험이 높습니다.
- ▶ **전원 코드를 잡고 전동공구를 운반하거나 걸어 놓아서는 안되며, 콘센트에서 전원 플러그를 뽑을 때 전원 코드를 잡아당겨서는 절대로 안됩니다.** 전원 코드가 열과 오일에 접촉하는 것을 피하고, 날카로운 모서리나 기기의 이동 부위에 닿지 않도록 주의하십시오. 손상되거나 영긴 전원 코드는 감전을 유발할 수 있습니다.
- ▶ **실외에서 전동공구로 작업할 때는 실외용으로 적당한 연장 전원 코드만을 사용하십시오.** 실외용 연장 전원 코드를 사용하면 감전의 위험을 줄일 수 있습니다.
- ▶ **전동공구를 습기 찬 곳에서 사용해야 할 경우에는 누전 차단기를 사용하십시오.** 누전 차단기를 사용하면 감전 위험을 줄일 수 있습니다.

사용자 안전

- ▶ **신중하게 작업하십시오.** 작업을 할 때 주의를 하며, 전동공구를 사용할 때 경솔하게 행동하지 마십시오. 피로한 상태이거나 약물 복용 및 음주한 후에는 전동공구를 사용하지 마십시오. 전동공구를 사용할 때 잠시라도 주의가 산만해지면 중상을 입을 수 있습니다.
- ▶ **작업자 안전을 위한 장치를 사용하십시오.** 항상 보안경을 착용하십시오. 전동공구의 종류와 사용에 따라 먼지 보호 마스크, 미끄러지지 않는 안전한 신발, 안전모 또는 귀마개 등의 안전한 복장을 하면 상해의 위험을 줄일 수 있습니다.
- ▶ **실수로 기기가 작동되지 않도록 주의하십시오.** 전동공구를 전원에 연결하거나 배터리를 끼우기 전에, 혹은 기기를 돌거나 운반하기 전에, 전원 스위치가 꺼져 있는지 다시 확인하십시오. 전동공구를 운반할 때 전원 스위치에 손가락을 대거나 전원 스위치가 켜진 상태에서 전원을 연결하면 사고 위험이 높습니다.
- ▶ **전동공구를 사용하기 전에 조절하는 볼이나 나사키 등을 빼 놓으십시오.** 회전하는 부위에 있는 볼이나 나사키로 인해 상처를 입을 수 있습니다.
- ▶ **자신을 괴신하지 마십시오.** 불안정한 자세를 피하고 항상 평형을 이룬 상태로 작업하십시오. 안정된 자세와 평형한 상태로 작업해야만이 의외의 상황에서도 전동공구를 안전하게 사용할 수 있습니다.

- ▶ **알맞은 작업복을 입으십시오.** 험명한 복장을 하거나 장신구를 착용하지 마십시오. 머리카락 또는 장갑이 가동하는 기기 부위에 끼여 떨어지지 않도록 주의하십시오. 험명한 복장, 장신구 혹은 긴 머리는 가동 부위에 말려 사고를 초래할 수 있습니다.
- ▶ **분진 추출장치나 수거장치의 조립이 가능한 경우, 이 장치 가 연결되어 있는지, 제대로 작동이 되는지 확인하십시오.** 이러한 분진 추출장치를 사용하면 분진으로 인한 사고 위험을 줄일 수 있습니다.

전동공구의 올바른 사용과 취급

- ▶ **기기를 과부하 상태에서 사용하지 마십시오.** 작업을 하는 데에 적당한 전동공구를 사용하십시오. 알맞은 전동공구를 사용하면 지정된 성능 한도 내에서 더 효율적으로 안전하게 작업할 수 있습니다.
- ▶ **전원 스위치가 고장 난 전동공구를 사용하지 마십시오.** 전원 스위치가 작동되지 않는 전동공구는 위험하므로, 반드시 수리를 해야 합니다.
- ▶ **기기에 새팅을 하거나 액세서리 부품을 교환하거나 혹은 기기를 보관할 때, 항상 전원 콘센트에서 플러그를 미리 빼어 놓으십시오.** 이러한 조치는 실수로 전동공구가 작동하게 되는 것을 예방합니다.
- ▶ **사용하지 않는 전동공구는 어떤이 손이 닿지 않은 곳에 보관하고, 전동공구 사용에 익숙지 않거나 이 사용 설명서를 읽지 않은 사람은 기기를 사용해서는 안됩니다.** 경험이 없는 사람이 전동공구를 사용하면 위험합니다.
- ▶ **전동공구를 조심스럽게 관리하십시오.** 가동 부위가 하자가 없이 정상적인 기능을 하는지, 절리는 부위가 있는지, 혹은 전동공구의 기능에 중요한 부품이 손상되지 않았는지 확인하십시오. 손상된 기기의 부품은 전동공구를 다시 사용하기 전에 반드시 수리를 맡기십시오. 제대로 관리하지 않은 전동공구의 경우 많은 사고를 유발합니다.
- ▶ **절단 공구를 날카롭고 깨끗하게 관리하십시오.** 날카로운 절단면이 있고 잘 관리된 절단공구는 걸리는 경우가 드물고 조절하기도 쉽습니다.
- ▶ **전동공구, 액세서리, 장착하는 공구 등을 사용할 때, 이 지시 사항과 특별히 기종 별로 나와있는 사용 방법을 준수하십시오.** 이에 작업 조건과 실시하려는 작업 내용을 고려하십시오. 원래 사용 분야가 아닌 다른 작업에 전동공구를 사용할 경우 위험한 상황을 초래할 수 있습니다.

서비스

- ▶ **전동공구 수리는 반드시 전문인력에게 맡기고, 수리 정비 시 보쉬 승인 부품만을 사용하십시오.** 그렇게 함으로서 기기의 안전성을 오래 유지할 수 있습니다.

스트레이트 그라인더용 안전 수칙

연마작업 시 일반 안전수칙

- ▶ **이 전동공구는 그라인더로만 사용해야 합니다.** 전동공구와 함께 공급되는 모든 안전 수칙, 사용 설명서, 도면과 자료를 읽고 준수하십시오. 다음의 사항을 준수하지 않으면 화재 위험이 있으며 감전 또는 중상을 입을 수 있습니다.

- ▶ **이 전동공구는 샌딩작업, 와이어 브러싱 작업, 폴리싱작업 및 절단작업에 적합하지 않습니다.** 전동공구의 사용 분야가 아닌 경우 사용하면 위험하며 상해를 입을 수 있습니다.
- ▶ **본 전동공구를 위해 제조사가 특별히 생산하고 추천하는 액세서리만을 사용해야 합니다.** 액세서리가 전동공구에 고정될 수 있다고 해서 안전한 사용을 보장하는 것은 아닙니다.
- ▶ **허용되는 RPM 이 적어도 전동공구에 나와있는 최고 무부하 속도보다 높은 연마석을 사용해야 합니다.** 허용치 이상으로 빨리 회전하는 액세서리는 깨지거나 날아갈 수 있습니다.
- ▶ **연마석의 외경과 두께는 전동공구의 크기에 맞는 것이어야 합니다.** 크기가 맞지 않는 연마석은 충분히 커버할 수 없거나 통제하기가 어려워집니다.
- ▶ **연마석, 플랜지, 고무판 등 기타 액세서리는 전동공구의 연삭스핀들에 정확히 맞아야 합니다.** 전동공구의 연삭스핀들에 정확히 맞지 않는 연마석은 불규칙적으로 회전하고 진동이 매우 심하여 제어가 불가능해 질 수 있습니다.
- ▶ **손상된 연마석을 사용하지 마십시오.** 기기를 사용하기 전에 항상 연마석에 금이 가거나 파손되거나 마모 상태가 심하지 않은지, 혹은 와이어 브러시 디스크의 경우 와이어가 느슨하거나 부러지지 않았는지 확인하십시오. 전동공구나 연마석이 떨어졌을 때 손상되지 않았는지 확인하고 손상된 경우 새로운 연마석을 사용하십시오. 연마공구를 점검하고 삼입한 경우 주위에 있는 사람이나 작업자가 회전하는 연마석 쪽에서 멀리 떨어져 있도록 하고, 전동공구를 1 분당 최고 속도로 작동하십시오. 손상된 연마석은 대부분 이 시험 단계에서 부러집니다.
- ▶ **작업자는 보호장비를 착용해야 합니다.** 작업에 따라 안전 마스크나 보안경을 사용하십시오. 필요한 경우 목진 마스크, 귀마개, 보호장갑을 사용하고 연마로 인한 미세한 스펙 분자에 접하게 되는 것을 방지하는 특수 작업용 애프런을 착용하십시오. 다양한 작업을 할 때 생겨 공중에 떠다니는 이물질로부터 눈을 보호해야 합니다. 분진 마스크나 호흡 마스크로 기기 사용 시 발생하는 분진을 여과해야 합니다. 작업자가 장기간 강한 소음 환경에서 작업하면 청력을 상실할 수도 있습니다.
- ▶ **다른 사람이 작업장에서 안전 거리를 유지하도록 해야 합니다.** 작업장에 들어오는 사람은 누구나 반드시 보호장비를 착용해야 합니다. 작업물의 파편이나 깨진 연마석이 날아가 작업대 이외의 곳에서도 상처를 입을 수 있습니다.
- ▶ **작업할 때 절단공구로 보이지 않는 전선이나 기기 자체의 코드에 닿을 위험이 있으면 전동공구의 절연된 손잡이 면만을 잡으십시오.** 전류가 흐르는 전선에 접하게 되면 기기의 금속 부위에 전기가 통해 감전될 위험이 있습니다.
- ▶ **전원 코드를 회전하는 연마석에서 멀리 하십시오.** 전동공구에 대한 통제를 잃게 되면 전원 코드가 잘려 나가거나 말려 들 수 있고, 또한 손이나 팔이 회전하는 연마석 쪽으로 빨려 들어갈 수 있습니다.
- ▶ **전동공구를 내려놓기 전에 연마석이 완전히 멈추었는지 확인하십시오.** 회전하는 연마석이 작업대 표면에 닿게 되면 전동공구에 대한 통제가 불가능할 수 있습니다.

20 | 한국어

- ▶ **항상 스위치를 끈 상태로 전동공구를 운반하십시오.** 작업자의 옷이 실수로 회전하는 연마공구에 말려 들어 연마석이 신체 부위를 찌를 수 있습니다.
- ▶ **전동공구의 통풍구를 정기적으로 깨끗이 닦으십시오.** 모터 팬이 하우징 안으로 분진을 끌어들이며, 금속 분진이 많이 쌓이면 전기적인 위험을 야기할 수 있습니다.
- ▶ **전동공구를 가연성 물질 가까이에서 사용하지 마십시오.** 스파크가 이 물질을 점화할 수 있습니다.
- ▶ **액체 냉각제가 필요한 연마공구를 사용하지 마십시오.** 물이나 기타 액체 냉각제를 사용하면 감전될 수 있습니다.

반동과 이에 따른 안전 경고 사항

- ▶ 반동은 회전하는 전동공구의 연마석, 고무판, 와이어 브러시 디스크 등의 연마공구가 걸리거나 차단된 경우 갑자기 나타나는 작용입니다. 걸림이나 차단 상태가 되면 회전하는 연마공구가 갑자기 정지하게 됩니다. 그로 인해 통제가 안 되는 전동공구가 걸린 부위에서 연마공구 회전방향 반대쪽으로 반동이 생깁니다.
예를 들어 연마석이 작업물에 박히거나 걸리면 연마석 모서리가 작업물 안으로 들어가 걸릴 수 있습니다. 그로 인해 연마석이 부러지거나 반동을 유발할 수 있습니다. 그러면 연마석이 걸린 부위의 연마석 회전 방향에 따라 작업자 쪽으로 혹은 그 반대 쪽으로 움직입니다. 이때 연마석이 부러질 수도 있습니다.
반동은 전동공구를 잘못 사용하여 생기는 결과입니다. 이는 다음에 기술한 적당한 예방 조치를 통해 방지할 수 있습니다.
- ▶ **전동공구를 꼭 잡고, 몸과 팔은 반동력을 견딜 수 있는 자세를 취하십시오.** 보조 손잡이가 있으면, 고속 작동시 반동력이나 반작용 모멘트를 최대한으로 제어하기 위해 항상 보조 손잡이를 사용하십시오. 작업자는 적당한 예방 조치를 통해 반동력과 반작용력을 억제할 수 있습니다.
- ▶ **절대로 회전하는 연마석에 손을 가까이 대지 마십시오.** 연마석의 반동으로 인해 손을 다칠 수 있습니다.
- ▶ **반동이 생길 때 전동공구가 움직일 수 있는 곳에 있지 마십시오.** 반동으로 인해 전동공구가 걸린 부위에 있는 연마석 방향 반대쪽으로 움직입니다.
- ▶ **특히 모서리나 날카로운 가장자리 등에 작업할 때 주의하십시오.** 연마석이 작업물에서 뒤편에 나가거나 걸리지 않도록 하십시오. 가장자리와 날카로운 모서리에 작업할 경우 또는 연마석이 떨어져 나가는 경우, 회전하는 연마석이 걸리는 경향이 있습니다. 이로 인해 기기의 통제가 어려워지거나 반동이 생깁니다.
- ▶ **우드카빙이나 이가 있는 톱날이 부착된 연마공구를 사용하지 마십시오.** 이러한 연마공구는 자주 반동을 유발시키고 전동공구에 대한 통제를 잃게 합니다.

연마작업 시 특별 안전수칙

- ▶ **만드시 귀하의 전동공구용으로 허용된 연마석과 이에 해당하는 안전반란을 사용하십시오.** 전동공구용이 아닌 연마석은 충분히 커버하기 어려울 수 있으며 안전하지 않습니다.

- ▶ **연마석은 추천하는 사용 분야에만 사용해야 합니다.** 예를 들어 절단석의 옆면으로 연마해서는 절대로 안됩니다. 절단석은 그 모서리로 소재를 깎아 내는데 사용해야 합니다. 이러한 절단석에 측면에서 힘을 가하게 되면 깨질 수 있습니다.
- ▶ **항상 사용하려는 연마석에 맞는 적당한 크기와 모양의 손상되지 않은 고정 플랜지를 사용해야 합니다.** 적당한 플랜지를 사용하면 연마석을 받쳐 주어 연마석이 파손될 위험이 줄어듭니다. 절단석용 플랜지는 연마석용 플랜지와 상이할 수 있습니다.
- ▶ **크기가 큰 전동공구에 사용하여 마모된 연마석을 사용하면 안됩니다.** 대형 전동공구용 연마석은 소형 전동공구의 고속 작업에 맞게 설계되어 있지 않으므로 파손될 위험이 있습니다.

추가 안전 경고 사항



보안경을 착용하십시오.

- ▶ **보이지 않는 배관 설비를 확인하려면 적당한 탐지기를 사용하지나 탐당 예지시 공급회사에 문의하십시오.** 전선에 접하게 되면 화재나 전기 충격을 야기할 수 있습니다. 가스관을 손상시키면 폭발 위험이 있습니다. 수도관을 파손하게 되면 재산 피해를 유발하거나 전기 충격을 야기할 수 있습니다.
- ▶ **전기가 나가거나 전원 플러그를 빼어 전원 공급이 중단된 경우 전원 스위치를 끌고 오프 위치에 놓으십시오.** 이렇게 하면 실수로 기기가 다시 작동하는 것을 방지할 수 있습니다.
- ▶ **완전히 식을 때까지 연마석이나 절단석을 만지지 마십시오.** 작업 시 매우 뜨거워지기 때문입니다.
- ▶ **작업물을 잘 고정하십시오.** 고정장치나 기계 바이스에 끼워서 작업하면 손으로 잡는 것보다 더 안전합니다.

제품 및 성능 소개



모든 안전수칙과 지시 사항을 상세히 읽고 지켜야 합니다. 다음의 안전수칙과 지시 사항을 준수하지 않으면 화재 위험이 있으며 감전 혹은 중상을 입을 수 있습니다.

규정에 따른 사용

본 전동공구는 코런덤 (강옥) 재질의 연마석을 장착하여 금속의 연마와 디버링 작업을 하거나, 샌딩 휠을 사용하여 작업하는데 사용해야 합니다.

제품의 주요 명칭

제품의 주요 명칭에 표기되어 있는 번호는 기기 그림이 나와 있는 면을 참고하십시오.

- 1 롤릿
- 2 클램핑 너트

- 3 연삭 스펀들
- 4 스펀들 칼라
- 5 전원 스위치
- 6 손잡이 (절연된 손잡이 부위)
- 7 안전 슬리브

- 8 고정 핀*
- 9 양구 스페너, 크기 17 mm*

*도면이나 설명서에 나와있는 액세서리는 표준 공급부품에 속하지 않습니다. 전체 액세서리는 저희 액세서리 프로그램을 참고하십시오.

제품 사양

스트레이프 그라인더	GG5 3000 L	GG5 5000	GG5 5000 L
제품 번호	3 601 B24 0..	3 601 B23 0..	3 601 B24 1..
소비 전력	W	300	500
정격 속도	rpm	28000	33000
폴릿 직경, 최대	mm	8	8
스펀들 칼라 직경	mm	41	43.5
연마석 두께, 최대	mm	30	30
연마석 직경, 최대	mm	25	25
EPTA 공정 01/2003 에 따른 중량	kg	1.4	1.0
안전 등급		□/II	□/II

자료는 정격 전압 [U] 230 V 를 기준으로 한 것입니다. 전압이 낮거나 각국의 특수한 모델에 따라 달라질 수 있습니다.

조립

▶ **전동공구를 보수 정비하기 전에 반드시 본센트에서 전원 플러그를 빼십시오.**

연마공구 조립하기 (GG5 5000) (그림 A 참조)

- 연삭 스펀들 3 의 기타 조립할 부품을 모두 깨끗이 닦습니다.
- 연삭 스펀들 3 에 있는 구멍과 하우징의 파인 부분이 일치 선이 될 때까지 연삭 스펀들 3 을 돌리십시오. 고정 핀 8 을 하우징의 파인 부분과 연삭 스펀들 3 의 구멍 안으로 끼우십시오.
- 양구 스페너 (17 mm) 9 를 시계 반대 방향으로 돌려 클램핑 너트 2 를 풀이 줍니다.
- 연마석의 고정 샤프트를 폴릿 1 안으로 끝까지 넣어 끼웁니다.
- 양구 스페너 (17 mm) 9 를 시계 방향으로 돌려 클램핑 너트 2 를 조이십시오.

연마석은 아무런 하자 없이 원형으로 작동해야 합니다. 원형으로 작동하지 않는 연마석은 계속 사용하지 말고 새로운 것으로 교환해 주십시오.

▶ **연마석이 조립되지 않은 상태에서 절대로 폴릿을 클램핑 너트와 함께 조이지 마십시오.** 이 경우 폴릿이 손상될 수 있습니다.

연마공구 조립하기 (GG5 3000 L / GG5 5000 L) (그림 B 참조)

- 연삭 스펀들 3 의 기타 조립할 부품을 모두 깨끗이 닦습니다.
- 양구 스페너 9 를 스페너 면에 대고 연삭 스펀들 3 을 꼭 잡습니다.

양구 스페너 9 를 스페너 면에 대고 클램핑 너트 2 를 시계 반대 방향으로 돌려 풀이 줍니다.

- 연마석의 고정 샤프트를 폴릿 1 안으로 끝까지 넣어 끼웁니다.
- 연삭 스펀들 3 을 양구 스페너 9 로 꼭 잡은 상태로 스페너 면에 있는 양구 스페너 9 를 시계 방향으로 돌려 연마석을 고정하십시오.

연마석은 아무런 하자 없이 원형으로 작동해야 합니다. 원형으로 작동하지 않는 연마석은 계속 사용하지 말고 새로운 것으로 교환해 주십시오.

▶ **연마석이 조립되지 않은 상태에서 절대로 폴릿을 클램핑 너트와 함께 조이지 마십시오.** 이 경우 폴릿이 손상될 수 있습니다.

분진 및 톱밥 추출장치

- ▶ 남 성분을 포함한 페인트나 몇몇 나무 종류, 또는 광물 성분 그리고 철과 같은 재료의 분진은 건강을 해칠 수 있습니다. 이 분진을 만지거나 호흡할 경우, 사용자나 주변 사람들은 알레르기 반응이나 호흡기 장애를 일으킬 수 있습니다.

떡갈나무나 너도밤나무와 같은 특정한 분진은 암을 유발시키며, 특히 목재 처리용으로 사용되는 부가 원료 (크로마트, 목재 보호제) 와 혼합되면 암을 유발시키게 됩니다. 석면 성분을 포함한 재료는 오직 전문가가 작업을 해야 합니다.

- 작업장의 통풍이 잘 되도록 하십시오.
- 필터등급 P2 가 장착된 호흡 마스크를 사용하십시오. 작업용 재료에 관해 국가가 지정한 규정을 고려 하십시오.
- ▶ **작업장에 분진이 쌓이지 않도록 하십시오.** 분진이 쉽게 발화할 수 있습니다.

22 | ภาษาไทย

작동**기계 시동**

- ▶ **공공 배전 전압에 주의!** 공급되는 전원의 전압은 전동공구의 명판에 표기된 전압과 동일해야 합니다.
- ▶ **작업하기 전에 항상 플랫 1과 출렘핑 너트 2가 손상되지 않았는지 확인하십시오.**

전원 스위치 작동

전동공구를 작동하려면 전원 스위치 5를 앞으로 밀니다. 전원 스위치 5를 **잠금 상태로 유지**하려면 전원 스위치 5의 앞쪽을 걸리는 소리가 날 때까지 아래로 누릅니다. 전동공구의 **스위치를 끄려면** 전원 스위치 5를 놓거나 잠금 상태인 경우에는 전원 스위치 5를 뒷쪽을 잠깐 아래로 눌렀다가 다시 놓습니다.

사용방법

최상의 작업 결과를 얻으려면 연마석을 살짝 누르며 이리저리 움직이십시오. 너무 세게 누르면 전동공구의 성능이 감소하며 연마석이 빨리 마모됩니다.

보수 정비 및 서비스**보수 정비 및 유지**

- ▶ **전동공구를 보수 정비하기 전에 반드시 콘센트에서 전원 플러그를 빼십시오.**
- ▶ **안전하고 올바른 작동을 위하여 전동공구와 전동공구의 통풍구를 항상 깨끗이 하십시오.**
- ▶ **열악한 환경에서 작업할 경우 가능한 한 추출장치를 항상 사용하도록 하십시오. 통풍구를 자주 청소하고 누전 차단기 (RCD)를 설치하십시오.** 금속 소재에 작업할 경우 전도성 분진이 전동공구 안에 쌓이게 되면 전동공구의 보호 절연장치 기능에 장애가 생길 수 있습니다.

액세서리를 조심스럽게 취급하고 보관하십시오.

연결 코드를 교환해야 할 경우 안전을 기하기 위해 보쉬사나 보쉬 지정 전동공구 서비스 센터에 맡겨야 합니다.

세심한 제작과 검사에도 불구하고 전동공구가 불량한 경우가 있다면 보쉬 고객 지원본부나 가까운 보쉬 지정 전동공구 서비스 센터에 수리를 의뢰하십시오.

문의 사항이 있거나 스페어 부품을 주문할 때 반드시 전동공구의 타입 표시판에 적힌 10 자리의 제품 번호를 알려 주십시오.

AS 센터 및 고객 상담

AS 센터에서는 귀하 제품의 수리 및 보수정비, 그리고 부품에 관한 문의를 받고 있습니다. 제품의 분해도 및 부품에 관한 정보는 다음의 주소에서도 보실 수 있습니다:

www.bosch-pt.com

보쉬 AS 센터 팀은 제품과 액세서리의 구매, 사용법 및 설정에 관해 상담해 드립니다.

한국 로버트보쉬 주식회사

Robert Bosch Korea Ltd.

전동공구 사업부

경기도 용인시 기흥구 보정동 298 번지
고객 콜센터 : 080-955-0909
E-Mail: Bosch-pt.hotline@kr.bosch.com
Internet: www.bosch-pt.co.kr

처리

기기와 액세서리 및 포장 등은 환경 친화적인 방법으로 재생활 수 있도록 분류하십시오.

전동공구를 가정용 쓰레기로 처리하지 마십시오!

위 사항은 사전 예고 없이 변경될 수도 있습니다.

ภาษาไทย**กฎระเบียบเพื่อความปลอดภัย****คำเตือนทั่วไปเพื่อความปลอดภัย****ในการใช้เครื่องมือไฟฟ้า**

⚠ คำเตือน ต้องอ่านคำเตือนเพื่อความปลอดภัยและคำสั่งทั้งหมด การไม่ปฏิบัติตามคำเตือนและคำสั่งอาจเป็นสาเหตุให้ถูกไฟฟ้าดูด เกิดไฟไหม้ และหรือได้รับบาดเจ็บอย่างร้ายแรง

เก็บรักษาคำเตือนและคำสั่งทั้งหมดสำหรับเปิดอ่านในภายหลัง

คำว่า "เครื่องมือไฟฟ้า" ในคำเตือนหมายถึง เครื่องมือไฟฟ้าของท่านที่ทำงานด้วยพลังงานไฟฟ้าที่ต่อจากเต้าเสียบ (มีสายไฟฟ้า) และเครื่องมือไฟฟ้าที่ทำงานด้วยพลังงานไฟฟ้าจากแบตเตอรี่ (ไร้สาย)

ความปลอดภัยในสถานที่ทำงาน

- ▶ **รักษาสถานที่ทำงานให้สะอาดและมีไฟส่องสว่างดี** สถานที่ที่มีมืดหรือกรุงังนำมาซึ่งอุบัติเหตุ
- ▶ **อย่าใช้เครื่องมือไฟฟ้าในสภาพแวดล้อมที่เสี่ยงต่อการติดระเบิดได้** เช่น ในที่มีมีของเหลว แก๊ซ หรือฝุ่นที่ติดไฟได้ เมื่อใช้เครื่องมือไฟฟ้าจะเกิดประกายไฟซึ่งอาจจุดฝุ่นหรือไอให้ลุกเป็นไฟได้
- ▶ **ขณะใช้เครื่องมือไฟฟ้าทำงาน ต้องกันเด็กและผู้ยี่นดูให้ออกห่าง** การหันเหความสนใจอาจทำให้ท่านขาดการควบคุมเครื่องได้

ความปลอดภัยเกี่ยวกับไฟฟ้า

- ▶ **ปลั๊กของเครื่องมือไฟฟ้าต้องมีขนาดพอดีกับเต้าเสียบ** อย่าตัดแปลงหรือแก้ไขตัวปลั๊กอย่างเด็ดขาด อย่าต่อปลั๊กต่อใดๆ เข้ากับเครื่องมือไฟฟ้าที่มีสายดิน ปลั๊กที่

ไม่ตัดแปลงและเต้าเสียบที่เข้ากันช่วยลดความเสี่ยงจากการถูกไฟฟ้าดูด

- ▶ **หลีกเลี่ยงไม่ให้ร่างกายสัมผัสกับพื้นผิวของสิ่งของที่ต่อสายดินไว้** เช่น ท่อ เครื่องทำความร้อน เตา และตู้เย็น จะเสี่ยงอันตรายจากการถูกไฟฟ้าดูดมากขึ้นหากกระแสไฟฟ้าวิ่งผ่านร่างกายของท่านลงดิน
- ▶ **อย่าวางเครื่องมือไฟฟ้าตากฝนหรือทิ้งไว้ในที่ชื้นและหากน้ำเข้าในเครื่องมือไฟฟ้า จะเพิ่มความเสี่ยงจากการถูกไฟฟ้าดูด**
- ▶ **อย่าใช้สายไฟฟ้าอย่างผิดๆ** อย่าถือเครื่องมือไฟฟ้าที่สาย อย่าใช้สายขวนเครื่อง หรืออย่าดึงสายไฟฟ้าเพื่อถอดปลั๊กออกจากเต้าเสียบ กันสายไฟให้ออกห่างจากความร้อน น้ำมัน ขอบแหลมคม หรือส่วนของเครื่องที่กำลังเคลื่อนไหว สายไฟฟ้าที่ชำรุดหรือพันกันยุ่งเพิ่มความเสี่ยงจากการถูกไฟฟ้าดูด
- ▶ **เมื่อใช้เครื่องมือไฟฟ้าทำงานกลางแจ้ง ให้ใช้สายไฟต่อที่ได้รับรองให้ใช้ต่อในที่กลางแจ้งเท่านั้น** การใช้สายไฟต่อที่เหมาะสมสำหรับงานกลางแจ้งช่วยลดอันตรายจากการถูกไฟฟ้าดูด
- ▶ **หากไม่สามารถหลีกเลี่ยงการใช้เครื่องมือไฟฟ้าทำงานในสถานที่เปียกชื้นได้ ให้ใช้สวิทช์ตัดวงจรเมื่อเกิดการรั่วไหลของไฟฟ้าจากสายดิน** การใช้สวิทช์ตัดวงจรเมื่อเกิดการรั่วไหลของไฟฟ้าจากสายดินช่วยลดความเสี่ยงต่อการถูกไฟฟ้าดูด

ความปลอดภัยของบุคคล

- ▶ **ท่านต้องอยู่ในสภาพเตรียมพร้อม ระมัดระวังในสิ่งที่กำลังทำอยู่ และมีสติขณะใช้เครื่องมือไฟฟ้าทำงาน** อย่าใช้เครื่องมือไฟฟ้าขณะที่ท่านกำลังเหนื่อย หรืออยู่ภายใต้การครอบงำของฤทธิ์ของยาเสพติด แอลกอฮอล์ และยา เมื่อใช้เครื่องมือไฟฟ้าทำงาน ในชั่วนาทีที่ท่านขาดความเอาใจใส่อาจทำให้บุคคลบาดเจ็บอย่างรุนแรงได้
- ▶ **ใช้อุปกรณ์ปกป้องร่างกาย สวมแว่นตาป้องกันเสมอ** อุปกรณ์ปกป้อง เช่น หน้ากากกันฝุ่น รองเท้านิรภัย หมวกแข็ง หรือประอบหูกันเสียงดัง ที่เลือกใช้ตามความเหมาะสมกับสภาพการทำงาน สามารถลดอันตรายต่อบุคคลได้
- ▶ **ป้องกันการติดเครื่องโดยไม่ตั้งใจ ต้องดูให้แน่ใจว่าสวิทช์อยู่ในตำแหน่งปิดก่อนเสียบปลั๊กไฟเข้าในเต้าเสียบ และ/หรือใส่แท่งแบตเตอรี่ ยากขึ้นหรือถือเครื่องมือ** การถือเครื่องโดยใช้นิ้วที่สวิทช์ หรือเสียบปลั๊กไฟที่ขณะสวิทช์เปิดอยู่ อาจนำไปสู่อุบัติเหตุที่ร้ายแรงได้

- ▶ **เอาเครื่องมือปรับแต่งหรือประแจปากตายออกจากเครื่องมือไฟฟ้าก่อนเปิดสวิทช์** เครื่องมือหรือประแจปากตายที่วางอยู่กับส่วนของเครื่องที่กำลังหมุนจะทำให้บุคคลบาดเจ็บได้
- ▶ **หลีกเลี่ยงการตั้งท่าที่ผิดปกติ ตั้งท่ายืนที่มั่นคงและวางน้ำหนักให้สมดุลตลอดเวลา** ในลักษณะนี้ท่านสามารถควบคุมเครื่องมือไฟฟ้าในสถานการณ์ที่ไม่คาดคิดได้ดีกว่า
- ▶ **ใส่เสื้อผ้าที่เหมาะสม** อย่าใส่เสื้อผ้าหลวมหรือสวมเครื่องประดับ เข็มม เสื้อผ้า และถุงมือออกห่างส่วนของเครื่องที่กำลังหมุน เสื้อผ้าหลวม เครื่องประดับ และผมยาวอาจเข้าไปติดในส่วนของเครื่องที่กำลังหมุนได้
- ▶ **หากต้องต่อเครื่องมือไฟฟ้าเข้ากับเครื่องดูดฝุ่นหรือเครื่องเก็บผง ดูให้แน่ใจว่าการเชื่อมต่อและการใช้งานเป็นไปอย่างถูกต้อง** การใช้อุปกรณ์ดูดฝุ่นช่วยลดอันตรายที่เกิดจากฝุ่นได้

การใช้และการดูแลรักษาเครื่องมือไฟฟ้า

- ▶ **อย่าใช้เครื่องมือไฟฟ้าอย่างหักโหม ใช้เครื่องมือไฟฟ้าที่ถูกต้องตรงตามลักษณะงาน** เครื่องมือไฟฟ้าที่ถูกต้องจะทำงานได้ดีกว่าและปลอดภัยกว่าในระดับสมรรถภาพที่ออกแบบไว้
- ▶ **อย่าใช้เครื่องมือไฟฟ้าที่สวิทช์เปิดปิดเสีย** เครื่องมือไฟฟ้าที่ไม่สามารถควบคุมการเปิดปิดด้วยสวิทช์ได้ เป็นเครื่องมือไฟฟ้าที่ไม่ปลอดภัยและต้องส่งซ่อมแซม
- ▶ **ก่อนปรับแต่งเครื่อง เปลี่ยนอุปกรณ์ประกอบ หรือเก็บเครื่องเข้าที่** ต้องถอดปลั๊กไฟออกจากเต้าเสียบและ/หรือถอดแท่งแบตเตอรี่ออกจากเครื่องมือไฟฟ้า มาตรการป้องกันเพื่อความปลอดภัยนี้ช่วยลดความเสี่ยงจากการติดเครื่องโดยไม่ตั้งใจ
- ▶ **เมื่อเลิกใช้งานเครื่องมือไฟฟ้า ให้เก็บเครื่องมือไว้ในที่ที่เด็กหยิบไม่ถึง และไม่อนุญาตให้บุคคลที่ไม่คุ้นเคยกับเครื่องหรือบุคคลที่ไม่ได้อ่านคำแนะนำนี้ใช้เครื่องมือไฟฟ้า** เป็นของอันตรายหากตกอยู่ในมือของผู้ใช้ที่ไม่ได้รับการฝึกฝน
- ▶ **เอาใจใส่ดูแลรักษาเครื่อง** ตรวจสอบส่วนที่เคลื่อนไหวได้ของเครื่องว่าวางอยู่ตรงแนวหรือติดขัดหรือไม่ ตรวจสอบการแตกหักของชิ้นส่วนและสภาพอื่นใดที่อาจมีผลต่อการทำงานของเครื่องมือไฟฟ้า หากชำรุดต้องส่งเครื่องมือไฟฟ้าซ่อมแซมก่อนใช้งาน อุบัติเหตุหลายอย่างเกิดขึ้นเนื่องจากดูแลรักษาเครื่องไม่ดีพอ
- ▶ **รักษาเครื่องมือตัดให้คมและสะอาด** หากบำรุงรักษาเครื่องมือที่มีขอบตัดแหลมคมอย่างถูกต้อง จะสามารถตัดได้ลื่นไม่ติดขัดและควบคุมได้ง่ายกว่า

24 | ภาษาไทย

▶ ใช้เครื่องมือไฟฟ้า อุปกรณ์ประกอบ เครื่องมือ และ อุปกรณ์อื่นๆ ให้ตรงตามคำแนะนำ และในลักษณะตามที่เครื่องมือไฟฟ้าประเภทนั้นๆ กำหนดไว้ โดยต้องคำนึงถึงเงื่อนไขการทำงานและงานที่จะทำด้วย การใช้เครื่องมือไฟฟ้าทำงานที่ต่างไปจากวัตถุประสงค์การใช้ งานของเครื่อง อาจนำไปสู่สถานการณ์ที่เป็นอันตรายได้

การบริการ

▶ ส่งเครื่องมือไฟฟ้าให้ช่างผู้เชี่ยวชาญตรวจสอบและใช้ อะไหล่เปลี่ยนของแท้เท่านั้น ในลักษณะนี้ท่านจะแน่ใจได้ว่าเครื่องมือไฟฟ้าอยู่ในสภาพที่ปลอดภัย

คำเตือนเพื่อความปลอดภัยสำหรับเครื่องขัดคอตตรง

กฎเพื่อความปลอดภัยร่วมกันสำหรับการขัด

▶ เครื่องมือไฟฟ้านี้ผลิตขึ้นเพื่อทำหน้าที่เป็นเครื่องขัด กรุณาปฏิบัติตามคำแนะนำเพื่อความปลอดภัย คำสั่ง ภาพประกอบ และรายละเอียดทั้งหมดที่จัดส่งมาพร้อมกับเครื่องมือไฟฟ้านี้ การละเลยไม่ปฏิบัติตามคำสั่งทั้งหมดที่ระบุ ด้านล่างนี้อาจทำให้ถูกไฟฟ้าดูด เกิดไฟไหม้ และหรือบาดเจ็บสาหัสได้

▶ เครื่องมือไฟฟ้านี้ไม่เหมาะสำหรับใช้ขัดด้วยกระดาษทรายทำงานด้วยแรงกด ขัดเงา และขัดเพื่อตัดออก หากใช้เครื่องมือไฟฟ้าทำงานที่ไม่ได้ถูกออกแบบมาสำหรับงานนั้นๆ อาจทำให้เกิดอันตรายและบาดเจ็บได้

▶ อย่าใช้อุปกรณ์ประกอบที่ผู้ผลิตไม่ได้แนะนำให้ใช้ และมีได้ออกแบบไว้ให้ใช้เฉพาะกับเครื่องมือไฟฟ้านี้ ด้วยเหตุเพียงเพราะท่านสามารถประกอบอุปกรณ์เข้ากับเครื่องมือไฟฟ้าของท่านได้ ก็มิได้เป็นการรับรองว่าท่านจะปฏิบัติงานได้อย่างปลอดภัย

▶ ความเร็วรอบที่กำหนดของอุปกรณ์ประกอบอย่างน้อยที่สุด ต้องสูงเท่ากับความเร็วรอบที่กำหนดสูงสุดที่ระบุไว้บนเครื่องมือไฟฟ้า อุปกรณ์ประกอบที่หมุนเร็วกว่าความเร็วรอบที่กำหนดของตัวเองอาจกระเด็นออกเป็นชิ้นๆ

▶ เส้นผ่าศูนย์กลางรอบนอกและความหนาของอุปกรณ์ประกอบของท่านต้องอยู่ในพิสัยความสามารถของเครื่องมือไฟฟ้าของท่าน อุปกรณ์ประกอบผิดขนาดจะได้รับการปกป้องและควบคุมได้ไม่เพียงพอ

▶ ปลอกแกนของจานขัด จานเกลียว แผ่นหมุน และอุปกรณ์ประกอบอื่นใดต้องมีขนาดประกอบเข้าพอดีกับแกนเครื่องมือไฟฟ้า อุปกรณ์ประกอบที่มีรูปปลอกแกนไม่เข้าคู่กับแกนของเครื่องมือไฟฟ้า จะหมุนเสียหลัก สั่นตัวมาก และอาจทำให้ขาดการควบคุม

▶ อย่าใช้อุปกรณ์ประกอบที่ชำรุด ตรวจสอบอุปกรณ์ประกอบก่อนใช้งานทุกครั้ง เช่น จานขัดให้ดูรอยบิ่น และรอยแตกร้าว แผ่นหมุนให้ดูรอยแตกร้าว รอยฉีก หรือ

รอยสึกหรือที่มากเกินไป แปรงลวดให้ดูการโยกคลอนหรือการแตกหักของเส้นลวด หากเครื่องมือไฟฟ้าหรืออุปกรณ์ประกอบตกพื้น ให้ตรวจสอบความเสียหายหรือประกอบอุปกรณ์ที่ไม่ชำรุดเข้า เมื่อตรวจสอบและใส่อุปกรณ์ประกอบเสร็จแล้ว ตัวท่านเองและตัวบุคคลที่อยู่ใกล้เคียงต้องออกห่างจากแนวระดับอุปกรณ์ประกอบที่หมุน และเปิดเครื่องมือไฟฟ้าเดินตัวเปล่าที่ความเร็วรอบสูงสุดนาน 1 นาที ตามปกติอุปกรณ์ประกอบที่ชำรุดจะแตกออกเป็นชิ้นๆ ในช่วงเวลาทดสอบวิ่งนี้

▶ สวมอุปกรณ์ป้องกันเฉพาะตัว สุดแล้วแต่กรณีให้ใช้กระบังป้องกันหน้า สวมแว่นตากันลมและฝุ่นหรือแว่นตาป้องกันอันตราย สุดแล้วแต่ความเหมาะสมให้สวมหมวกกันน็อก สวมประภบทนป้องกันเสียงดัง สวมถุงมือ และสวมผ้ากันเปื้อนพิเศษที่สามารถกันผงขัดหรือเศษชิ้นงานออกจากตัวท่านได้ แว่นป้องกันตาต้องสามารถหยุดเศษผงที่ปลิววนที่เกิดจากการปฏิบัติงานแบบต่างๆ ได้ การได้ยินเสียงดังมากเป็นเวลานานอาจทำให้ท่านสูญเสียการได้ยิน

▶ กันบุคคลที่อยู่ใกล้เคียงให้อยู่ในระยะปลอดภัยห่างจากบริเวณทำงาน บุคคลใดที่เข้ามายังบริเวณทำงานต้องสวมอุปกรณ์ป้องกันเฉพาะตัว เศษวัสดุชิ้นงานหรืออุปกรณ์ประกอบที่แตกหักอาจปลิวออกนอกจุดปฏิบัติงานและทำให้บาดเจ็บได้

▶ เมื่อทำงานในบริเวณที่อุปกรณ์ตัดอาจสัมผัสกับสายไฟฟ้า ที่ซ่อนอยู่หรือสายไฟฟ้าของเครื่อง ต้องจับเครื่องมือไฟฟ้าตรงด้ามจับที่หุ้มฉนวนเท่านั้น หากอุปกรณ์ตัดสัมผัสกับสายที่มีกระแสไฟฟ้าไหลผ่านจะทำให้ส่วนที่เป็นโลหะของเครื่องมือไฟฟ้าเกิดกระแสไฟฟ้าด้วย และส่งผลให้ผู้ใช้อุปกรณ์ไฟฟ้า กระตุกได้

▶ จับสายไฟฟ้าออกจากอุปกรณ์ประกอบที่กำลังหมุน หากท่านควบคุมเครื่องมือไฟฟ้าไม่อยู่ เครื่องอาจตัดสายไฟฟ้าหรือสายไฟฟ้าถูกดึงรั้งไว้ และมือหรือแขนของท่านอาจถูกกระชากเข้าหาอุปกรณ์ประกอบที่กำลังหมุน

▶ อย่าวางเครื่องมือไฟฟ้าลงบนพื้นจนกว่าอุปกรณ์ประกอบจะหยุดหมุนและนิ่งอยู่กับที่แล้ว อุปกรณ์ประกอบที่หมุนอยู่อาจเฉี่ยวถูกพื้นและกระชากเครื่องมือไฟฟ้าออกจากการควบคุมของท่าน

▶ อย่าเปิดเครื่องมือไฟฟ้าทำงานขณะถือเครื่องไว้ข้างตัว เสื้อผ้าของท่านอาจเกี่ยวพันกับอุปกรณ์ประกอบที่กำลังหมุนโดยไม่ตั้งใจ และชุดอุปกรณ์ประกอบเข้าหาวางกายของท่านได้

▶ ทำความสะอาดช่องระบายอากาศของเครื่องมือไฟฟ้าอย่างสม่ำเสมอ ฟิล์มของมอเตอร์จะดูดฝุ่นเข้าไปในหม้อครอบ และผงโลหะที่พอกสะสมกันมากๆ อาจทำให้เกิดอันตรายจากไฟฟ้าได้

▶ อย่าใช้เครื่องมือไฟฟ้าทำงานใกล้วัตถุติดไฟได้ ประกายไฟสามารถจุดวัตถุเหล่านี้ให้ลุกเป็นไฟ

▶ **อย่าใช้อุปกรณ์ประกอบที่ต้องใช้สารหล่อเย็นที่เป็นของเหลว** การใช้น้ำหรือสารหล่อเย็นอื่นๆ ที่เป็นของเหลว อาจทำให้กระแสไฟฟ้าวิ่งผ่านเข้าตัวจนเสียชีวิตหรือถูกไฟฟ้ากระตุกได้

การตีกลับและคำเตือนเกี่ยวเนื่อง

▶ การตีกลับคือแรงสะท้อนกะทันหันที่เกิดจากงานขัด แผ่นหมุนแปร่ง และอุปกรณ์ประกอบอื่นใดเกิดบิดหรือถูกเหนี่ยวรั้งขณะกำลังหมุน การบิดหรือการเหนี่ยวรั้งทำให้อุปกรณ์ประกอบที่กำลังหมุนหยุดกะทันหัน ด้วยเหตุนี้เครื่องมือไฟฟ้าที่ขาดการควบคุมจึงถูกผลักไปในทิศทางตรงกันข้ามกับการหมุนของอุปกรณ์ประกอบ ณ จุดที่เกิดการตีกลับ

ตัวอย่าง เช่น หากงานขัดถูกเหนี่ยวรั้งหรือบิดโดยชิ้นงาน ขอบของงานขัดที่จัมอยู่ในจุดบิดอาจขูดเข้าไปในพื้นผิวของชิ้นงาน ทำให้งานขัดปีนออกมาหรือตีกลับ งานขัดอาจกระโดดเข้าหาหรือกระโดดออกจากผู้ใช้เครื่อง ทั้งนี้ขึ้นอยู่กับทิศทางเคลื่อนที่ของงานขัด ณ จุดบิด ในสถานการณ์เช่นนี้งานขัดอาจแตกหักได้ด้วย การตีกลับเป็นผลจากการใช้เครื่องมือไฟฟ้าอย่างผิดวิธี และ/หรือมีกระบวนการหรือเงื่อนไขการทำงานที่ไม่ถูกต้อง และสามารถหลีกเลี่ยงได้ด้วยการป้องกันไว้ก่อนอย่างถูกต้อง ดังคำแนะนำด้านล่างนี้

▶ **จับเครื่องมือไฟฟ้าให้แน่น และตั้งตัวและแขนในตำแหน่งด้านรับแรงตีกลับ** หากมีด้ามจับเพิ่ม ต้องใช้ด้ามจับเพิ่มร่วมด้วยเสมอ เพื่อควบคุมการตีกลับหรือกำลังสะท้อนจากแรงบิดขณะสแตร์ทเครื่องให้ได้ดีที่สุด ผู้ใช้เครื่องสามารถควบคุมกำลังสะท้อนจากแรงบิดหรือการตีกลับ หากได้ระมัดระวังอย่างถูกต้องไว้ก่อน

▶ **อย่ายื่นมือเข้าใกล้อุปกรณ์ประกอบที่กำลังหมุน** อุปกรณ์ประกอบอาจตีกลับมาที่มือของท่านได้

▶ **อย่าให้ร่างกายของท่านอยู่ในบริเวณที่เครื่องมือไฟฟ้าจะเคลื่อนเข้าหาหากมีการตีกลับ** การตีกลับจะผลักเครื่องมือไฟฟ้าไปยังทิศทางตรงกันข้ามกับการเคลื่อนที่ของงานขัด ณ จุดเหนี่ยวรั้ง

▶ **ใช้ความระมัดระวังเป็นพิเศษเมื่อใช้เครื่องทำงานบริเวณมุม ขอบแหลมคม ฯลฯ** หลีกเลี่ยงไม่ให้อุปกรณ์ประกอบกระทบและเหนี่ยวรั้งกับชิ้นงาน มุม ขอบแหลมคม และการกระทบมักจะเหนี่ยวรั้งอุปกรณ์ประกอบที่กำลังหมุน และทำให้เกิดการควบคุมหรือทำให้เกิดการตีกลับ

▶ **อย่าประกอบใบเลื่อยโซ่สำหรับเซาะไม้หรือเลื่อยมีฟันใบเลื่อยเหล่านี้ทำให้เกิดการตีกลับและสูญเสียการควบคุมบ่อยครั้ง**

กฎเพื่อความปลอดภัยเฉพาะสำหรับการขัด

▶ **งานที่ใช้ต้องเป็นงานประเภทเดียวกับที่แนะนำให้ใช้กับเครื่องมือไฟฟ้าของท่าน และให้ใช้กระบ้งเฉพาะที่ออกแบบไว้สำหรับใช้ร่วมกับงานที่เลือกใช้เท่านั้น** งาน

ที่ไม่ได้ออกแบบไว้สำหรับใช้กับเครื่องมือไฟฟ้าจะได้รับการปกป้องไม่เพียงพอและไม่ปลอดภัย

▶ **ต้องใช้งานตามประโยชน์การใช้งานที่แนะนำเท่านั้น** ตัวอย่าง เช่น อย่าใช้ด้านข้างของงานตัดสำหรับขัดวัสดุงานตัดผลิตไว้เพื่อให้ใช้ตรงขอบนอกของงานขัดวัสดุ งานด้านข้างที่กดลงบนแผ่นงานอาจทำให้งานแตกและเยียดได้

▶ **ใช้น้ำตรงจากที่ไม่ชำรุดที่มีขนาดและรูปร่างถูกต้องสำหรับงานที่ท่านเลือกใช้** น้ำตรงจากที่ถูกต้องจะหมุนงาน และด้วยเหตุนี้จึงลดการแตกหักของงาน น้ำตรงสำหรับงานตัดอาจมีลักษณะต่างจากน้ำตรงสำหรับงานขัด

▶ **อย่าใช้งานที่สึกกร่อนมาจากเครื่องมือไฟฟ้าขนาดใหญ่กว่า** งานที่ผลิตไว้สำหรับเครื่องมือไฟฟ้าขนาดใหญ่กว่าไม่เหมาะจะนำมาใช้กับเครื่องมือไฟฟ้าขนาดเล็กที่มีความเร็วสูงกว่า และอาจแตกระเบิดได้

คำสั่งเพิ่มเติมเพื่อความปลอดภัย



สวมแว่นตาป้องกันอันตราย

▶ **ใช้เครื่องตรวจที่เหมาะสมตรวจหาท่อ สายไฟฟ้า หรือสายโทรศัพท์** ที่อาจซ่อนอยู่ในบริเวณที่ทำงาน หรือขอความช่วยเหลือจากบริษัทสาธารณูปโภคในท้องถิ่น การสัมผัสกับสายไฟฟ้าอาจทำให้เกิดไฟไหม้หรือถูกไฟฟ้าดูด การทำให้ออกแก๊สเสียหายอาจทำให้เกิดระเบิด การเจาะเข้าในท่อน้ำทำให้ทรัพย์สินเสียหาย หรืออาจเป็นเหตุให้ถูกไฟฟ้าดูดได้

▶ **ปลดสวิตช์เปิด-ปิดและสับสวิตช์ไปที่ตำแหน่งปิดเมื่อการจ่ายกระแสไฟฟ้าหยุดชะงัก** ต. ย. เช่น ในกรณีที่มีฟ้าผ่าหรือปลั๊กไฟฟ้าหลักถูกดึงออก ในลักษณะนี้จะช่วยป้องกันไม่ให้เครื่องติดสวิตช์อีกครั้งอย่างควบคุมไม่ได้

▶ **อย่าแตะต้องงานตัดและงานขัดจนกว่าจะเย็นลง** ขณะทำงาน งานจะร้อนมาก

▶ **ยึดชิ้นงานให้แน่น** การยึดชิ้นงานด้วยเครื่องหนีบหรือแท่นจับจะมั่นคงกว่าการยึดด้วยมือ

รายละเอียดผลิตภัณฑ์และข้อมูลจำเพาะ



ต้องอ่านคำเตือนเพื่อความปลอดภัยและคำสั่งทั้งหมด การไม่ปฏิบัติตามคำเตือนและคำสั่งอาจเป็นสาเหตุให้ถูกไฟฟ้าดูด เกิดไฟไหม้ และ/หรือได้รับบาดเจ็บอย่างร้ายแรง

ประโยชน์การใช้งานของเครื่อง

เครื่องนี้ออกแบบมาเพื่อใช้ขัดและลบเลือนโลหะออกโดยใช้เครื่องมือขัดที่ทำจากแร่ควอตซ์ และเพื่อใช้งานกับวงล้อขัด

26 | ภาษาไทย

ส่วนประกอบผลิตภัณฑ์

ลำดับเลขของส่วนประกอบผลิตภัณฑ์ข้างถึงส่วนประกอบของเครื่อง
ที่แสดงในหน้าภาพประกอบ

- 1 แหวนรัดก้านเครื่องมือ
- 2 น็อตยึด
- 3 แกนเครื่อง
- 4 ปลอกแกน

- 5 สวิตช์เปิด-ปิด
- 6 ด้ามจับ (พื้นผิวจับหุ้มฉนวน)
- 7 ปลอกป้องกัน
- 8 ก้านจับ*
- 9 ประแจปากตาย ขนาด 17 มม.*

*อุปกรณ์ประกอบที่แสดงหรือระบุไม่รวมอยู่ในการจัดส่งมาตรฐาน
กรุณาดูอุปกรณ์ประกอบทั้งหมดในรายการแสดงอุปกรณ์ประกอบ
ของเรา

ข้อมูลทางเทคนิค

เครื่องขัดคอดตรง		GG5 3000 L	GG5 5000	GG5 5000 L
หมายเลขสินค้า		3 601 B24 0..	3 601 B23 0..	3 601 B24 1..
กำลังไฟฟ้าเข้ากำหนด	วัตต์	300	500	500
ความเร็วรอบกำหนด	รอบ/นาที	28000	33000	33000
เส้นผ่าศูนย์กลางแหวนรัดก้าน สูงสุด	มม.	8	8	8
เส้นผ่าศูนย์กลางปลอกแกน	มม.	41	43,5	41
ความหนาของวงล้อขัด สูงสุด	มม.	30	30	30
เส้นผ่าศูนย์กลางเครื่องมือขัด สูงสุด	มม.	25	25	25
น้ำหนักตามระเบียบการ-EPTA-Procedure 01/2003	กก.	1,4	1,0	1,4
ระดับความปลอดภัย		□/II	□/II	□/II

ค่าที่เห็นใช้ได้กับแรงดันไฟฟ้าระบุ [U] 230 โวลต์ ค่าเหล่านี้อาจผิดเพี้ยนไปสำหรับแรงดันไฟฟ้าที่ต่ำกว่า และไม่เดลที่สร้างสำหรับเฉพาะประเทศ

การประกอบ

▶ ดึงปลั๊กไฟออกจากเต้าเสียบก่อนปรับแต่งเครื่อง

การประกอบเครื่องมือขัด (GG5 5000)

(ดูภาพประกอบ A)

- ทำความสะอาดแกนเครื่องขัด 3 และทุกชิ้นส่วนที่จะประกอบเข้า
- หมุนแกนเครื่อง 3 จนกระทั่งอยู่ในแกนเครื่อง 3 และช่องเปิดของหม้อครอบอยู่ในแนวเดียวกัน สอดก้านจับ 8 ผ่านช่องเปิดของหม้อครอบและรูของแกนเครื่อง 3
- คลายน็อตยึด 2 ด้วยประแจปากตาย 9 (ขนาด 17 มม.) โดยหมุนไปในทิศทางเข็มนาฬิกา
- ใส่ก้านเครื่องมือขัดเข้าในแหวนรัด 1 จนสุด
- ชันน็อตยึด 2 ด้วยประแจปากตาย 9 (ขนาด 17 มม.) โดยหมุนไปในทิศทางเข็มนาฬิกา

เครื่องมือขัดต้องวิ่งร่วมศูนย์เดียวกันอย่างสมบูรณ์แบบ อย่าใช้
อุปกรณ์ขัดที่ไม่กลมอีกต่อไป แต่ให้เปลี่ยนใหม่ก่อนเริ่มทำงานต่อ

▶ อย่าขันแหวนรัดของน็อตยึดเข้าหากไม่มีอุปกรณ์ขัดประกอบอยู่ มิฉะนั้นแหวนรัดอาจชำรุดได้

การประกอบเครื่องมือขัด (GG5 3000 L/GG5 5000 L)
(ดูภาพประกอบ B)

- ทำความสะอาดแกนเครื่องขัด 3 และทุกชิ้นส่วนที่จะประกอบเข้า
- ถอดแกนเครื่องขัด 3 โดยใช้ประแจปากตาย 9 จับตรงพื้นราบ คลายน็อตยึด 2 โดยใช้ประแจปากตาย 9 จับตรงพื้นราบ และหมุนไปในทิศทางเข็มนาฬิกา
- ใส่ก้านเครื่องมือขัดเข้าในแหวนรัด 1 จนสุด
- ถอดแกนเครื่องขัด 3 อย่างมั่นคงด้วยประแจปากตาย 9 และหนีบเครื่องมือเข้าโดยใช้ประแจปากตาย 9 จับตรงพื้นราบ และหมุนไปในทิศทางเข็มนาฬิกา

เครื่องมือขัดต้องวิ่งร่วมศูนย์เดียวกันอย่างสมบูรณ์แบบ อย่าใช้
อุปกรณ์ขัดที่ไม่กลมอีกต่อไป แต่ให้เปลี่ยนใหม่ก่อนเริ่มทำงานต่อ

▶ อย่าขันแหวนรัดของน็อตยึดเข้าหากไม่มีอุปกรณ์ขัดประกอบอยู่ มิฉะนั้นแหวนรัดอาจชำรุดได้

การดูแลผู้ซื้อ

- ▶ ผู้ที่ได้จากวัสดุ เช่น เคลือบผิวที่มีสารตะกั่ว ไม่บางประเภท แร่ธาตุ และโลหะ อาจเป็นอันตรายต่อสุขภาพ การสัมผัสหรือการหายใจเอาฝุ่นเข้าไปอาจทำให้เกิดปฏิกิริยาแพ้ฝุ่น และ/หรือนำมาซึ่งโรคติดต่อเชื้อระบบหายใจแก่ผู้ใช้เครื่องหรือผู้ที่ยืนอยู่ใกล้เคียง

ฝุ่นบางประเภท เช่น ฝุ่นไม้ไผ่ หรือไม้ปืช นับเป็นสารที่ทำให้เกิดมะเร็ง โดยเฉพาะอย่างยิ่งเมื่อผสมกับสารเติมแต่งเพื่อบำบัดไม้ (โครเมต ผลิตภัณฑ์รักษาเนื้อไม้) สำหรับวัสดุที่มีแอสเบสทอส ต้องให้ผู้เชี่ยวชาญทำงานเท่านั้น

- จัดสถานที่ทำงานให้มีการระบายอากาศที่ดี
- ขอแนะนำให้สวมหน้ากากป้องกันการติดเชื้อที่มีระดับ-ไส้กรอง P2

ปฏิบัติตามกฎข้อบังคับสำคัญอื่นๆ ที่เกี่ยวกับวัสดุชิ้นงานที่บังคับใช้ในประเทศของท่าน

- ▶ ป้องกันการสะสมของฝุ่นในสถานที่ทำงาน ฝุ่นสามารถถูกใหม่อย่างง่ายดาย

การปฏิบัติงาน

เริ่มต้นปฏิบัติงาน

- ▶ ให้สังเกตแรงดันไฟฟ้า แรงดันไฟฟ้าจากแหล่งจ่ายไฟฟ้าต้องมีค่าตรงกับค่าแรงดันไฟฟ้าที่ระบุไว้บนแผ่นป้ายติดเครื่อง
- ▶ ตรวจสอบแหวนรัดก้านเครื่องมือ 1 และนอตยึด 2 ว่าปราศจากรอยแตกหรือข้อบกพร่องที่มองเห็นได้ก่อนการใช้งานทุกครั้ง

การเปิด-ปิดเครื่อง

เปิดเครื่อง ทำงานโดยดันสวิตช์เปิด-ปิด 5 ไปข้างหน้า

ล็อค สวิตช์เปิด-ปิด 5 โดยกดสวิตช์เปิด-ปิด 5 ลงตรงส่วนหน้าจนเข้าล็อค

ปิดเครื่อง โดยปล่อยนิ้วจากสวิตช์เปิด-ปิด 5 หรือในกรณีที่สวิตช์ถูกล็อคอยู่ ให้กดตรงส่วนท้ายของสวิตช์เปิด-ปิด 5 ลงสั้นๆ และปล่อยนิ้ว

ข้อแนะนำในการทำงาน

ท่านจะได้ผลการตัดที่ดีที่สุดเมื่อเคลื่อนเครื่องมือขุดไปข้างหน้าและข้างหลังอย่างสม่ำเสมอโดยใช้แรงกดเล็กน้อย การกดอย่างแรงจะลดประสิทธิภาพการทำงานของเครื่อง และทำให้เครื่องมือขุดสึกหรอเร็วขึ้น

การบำรุงรักษาและการบริการ

การบำรุงรักษาและการทำความสะอาด

- ▶ ดึงปลั๊กไฟออกจากเต้าเสียบก่อนปรับแต่งเครื่อง
- ▶ เพื่อให้ทำงานได้อย่างถูกต้องและปลอดภัย ต้องรักษาเครื่องและช่องระบายอากาศให้สะอาดอยู่เสมอ

- ▶ **หากใช้เครื่องทำงานหนัก ให้ใช้อุปกรณ์ดูดฝุ่นออกเท่าที่จะทำได้เสมอ เป่าช่องระบายอากาศเป็นประจำ และติดตั้งสวิตช์ตัดวงจรเมื่อเกิดการรั่วไหลของไฟฟ้าจากสายดิน (RCD) เมื่อทำงานกับโลหะ ฝุ่นซึ่งมีคุณสมบัตินำความร้อนและกระแสไฟฟ้าอาจสะสมอยู่ข้างในเครื่องมือไฟฟ้า จนวนป้องกันทั้งหมดของเครื่องมือไฟฟ้าอาจได้รับผลเสีย**

กรุณาเก็บรักษาและจับถืออุปกรณ์ประกอบอย่างระมัดระวัง

เมื่อจำเป็นต้องเปลี่ยนสายไฟฟ้า ให้ส่งเครื่องให้บริการ บอช หรือศูนย์บริการลูกค้าสำหรับเครื่องมือไฟฟ้า บอช ที่ได้รับมอบหมายทำการเปลี่ยนให้ เพื่อหลีกเลี่ยงอันตรายด้านความปลอดภัย เครื่องมือไฟฟ้านี้ผ่านกรรมวิธีการผลิตและตรวจสอบอย่างละเอียดถี่ถ้วนมาแล้ว ถึงกระนั้น หากเครื่องเกิดขัดข้อง ต้องส่งเครื่องให้ศูนย์บริการหลังการขายสำหรับเครื่องมือไฟฟ้า บอช ซ่อมแซม เมื่อต้องการสอบถามและสั่งซื้ออะไหล่ กรุณาแจ้งหมายเลขสินค้า สิบหลักบนแผ่นป้ายรุ่นของเครื่องทุกครั้ง

การบริการหลังการขายและการให้คำแนะนำลูกค้า

ศูนย์บริการหลังการขายของเรายินดีตอบคำถามของท่านที่เกี่ยวกับการบำรุงรักษาและการซ่อมแซมผลิตภัณฑ์รวมทั้งเรื่องอะไหล่ ภาพขยายและข้อมูลเกี่ยวกับอะไหล่ กรุณาดูใน:

www.bosch-pt.com

แผนกให้คำปรึกษาค่าของเราพร้อมให้คำแนะนำที่ดีที่สุดแก่ท่านในเรื่องการซื้อผลิตภัณฑ์ การใช้งานและการปรับแต่งผลิตภัณฑ์ และอุปกรณ์ประกอบต่างๆ

ในกรณีประกัน ซ่อมแซม หรือซื้อชิ้นส่วนมาเปลี่ยน กรุณาติดต่อผู้ขายที่ได้รับแต่งตั้งเท่านั้น

ประเทศไทย

สำนักงาน

บริษัท โรเบิร์ต บอช จำกัด

ชั้น 11 ตึกลิเบอร์ตี สแควร์

287 ถนนสีลม

กรุงเทพฯ 10500

โทรศัพท์ +66 (0)2 / 6 31 18 79 – 18 88 (10 หมายเลข)

โทรสาร +66 (0)2 / 2 38 47 83

www.bosch.co.th

ผู้ประพันธ์

บริษัท โรเบิร์ต บอช จำกัด

แผนกเครื่องมือไฟฟ้า

ตู้ ปณ. 20 54

กรุงเทพฯ 10501

ประเทศไทย

28 | Bahasa Indonesia**ศูนย์บริการซ่อมและฝึกอบรม**

ศูนย์บริการซ่อมและฝึกอบรมมือช

2869 – 2869/1 ซอยบ้านกล้วย

ถนนพระรามที่ 4 (ใกล้ทางรถไฟสายปากน้ำเก่า)

พระโขนง

กรุงเทพฯ 10110

ประเทศไทย

โทรศัพท์ +66 (0)2 / 6 71 78 00 – 4

โทรสาร +66 (0)2 / 2 49 42 96

โทรสาร +66 (0)2 / 2 49 52 99

การกำจัดขยะ

เครื่องมือ อุปกรณ์ประกอบ และหีบห่อ ต้องนำไปแยกประเภทวัสดุ เพื่อนำกลับมาใช้ใหม่โดยไม่ทำลายสภาพแวดล้อม

อย่าทิ้งเครื่องมือไฟฟ้าลงในขยะบ้าน!

ขอสงวนสิทธิ์ในการเปลี่ยนแปลงโดยไม่ต้องแจ้งล่วงหน้า

- ▶ **Selama menggunakan perkakas listrik, jauhkan anak-anak dan orang-orang lain dari tempat kerja.** Jika konsentrasi terganggu, bisa jadi Anda tidak bisa mengendalikan perkakas listrik tersebut.

Keamanan listrik

- ▶ **Steker dari perkakas listrik harus cocok pada stopkontak. Janganlah sekali-kali merubah steker. Janganlah menggunakan steker perantara bersama dengan perkakas listrik yang mempunyai hubungan arde.** Steker yang tidak dirubah dan stopkontak yang cocok mengurangi bahaya terjadinya kontak listrik.
- ▶ **Jagalah supaya badan Anda tidak bersentuhan dengan permukaan yang mempunyai hubungan arde, misalnya pipa-pipa, radiator pemanas ruangan, kompor listrik dan lemari es.** Ada risiko besar terjadi kontak listrik, jika badan Anda mempunyai hubungan arde.
- ▶ **Jagalah supaya perkakas listrik tidak kena hujan atau menjadi basah.** Air yang masuk ke dalam perkakas listrik menambah risiko terjadinya kontak listrik.
- ▶ **Janganlah menyalah gunakan kabel listrik untuk mengangkat dan menggantungkan perkakas listrik atau untuk menarik steker dari stopkontak. Jagalah supaya kabel listrik tidak kena panas, minyak, pinggiran yang tajam atau bagian-bagian perkakas yang bergerak.** Kabel listrik yang rusak atau tersangkut menambah risiko terjadinya kontak listrik.
- ▶ **Jika Anda menggunakan perkakas listrik di luar gedung, gunakanlah hanya kabel sambungan yang juga cocok untuk pemakaian di luar gedung.** Penggunaan kabel sambungan yang cocok untuk pemakaian di luar gedung mengurangi risiko terjadinya kontak listrik.
- ▶ **Jika penggunaan perkakas listrik di tempat yang basah tidak bisa dihindarkan, gunakanlah sakelar pengaman terhadap arus penyimpangan.** Penggunaan sakelar pengaman terhadap arus penyimpangan mengurangi risiko terjadinya kontak listrik.

Keselamatan kerja

- ▶ **Berhati-hatilah selalu, perhatikanlah apa yang Anda kerjakan dan bekerjalah dengan seksama jika menggunakan perkakas listrik. Janganlah menggunakan perkakas listrik, jika Anda capai atau berada di bawah pengaruh narkoba, minuman keras atau obat.** Jika Anda sekejap mata saja tidak berhati-hati sewaktu menggunakan perkakas listrik, dapat terjadi luka-luka berat.
- ▶ **Pakailah pakaian dan sarana pelindung dan pakailah selalu kaca mata pelindung.** Dengan memakai pakaian dan sarana pelindung, misalnya kedok anti debu (masker), sepatu tertutup yang tidak licin, helm pelindung atau pemalut telinga sesuai dengan pekerjaan yang dilakukan dengan perkakas listrik, bahaya terjadinya luka-luka dapat dikurangi.
- ▶ **Jagalah supaya perkakas listrik tidak dihidupkan secara tidak disengaja. Perhatikan bahwa perkakas listrik dalam penyetalan mati, jika steker disambungkan pada pengadaan listrik dan/atau baterai, jika perkakas listrik diangkat atau dibawa.**

Bahasa Indonesia**Petunjuk-Petunjuk untuk Keselamatan Kerja****Petunjuk-Petunjuk Umum untuk Perkakas Listrik**

⚠ PERHATIKANLAH Bacalah semua petunjuk-petunjuk untuk keselamatan kerja dan petunjuk-petunjuk untuk penggunaan.

Kesalahan dalam menjalankan petunjuk-petunjuk untuk keselamatan kerja dan petunjuk-petunjuk untuk penggunaan dapat mengakibatkan kontak listrik, kebakaran dan/atau luka-luka yang berat.

Simpanlah semua petunjuk-petunjuk untuk keselamatan kerja dan petunjuk-petunjuk lainnya untuk penggunaan di masa depan.

Kata „perkakas listrik“ yang disebutkan di dalam petunjuk-petunjuk untuk keselamatan kerja adalah sebutan untuk perkakas listrik pakai listrik jaringan (dengan kabel) dan untuk perkakas listrik tenaga baterai (tanpa kabel listrik).

Keselamatan kerja di tempat kerja

- ▶ **Jagalah supaya tempat kerja selalu bersih dan terang.** Tempat kerja yang tidak rapi atau tidak terang dapat mengakibatkan terjadinya kecelakaan.
- ▶ **Janganlah menggunakan perkakas listrik di tempat di mana dapat terjadi ledakan, di mana ada cairan, gas atau debu yang mudah terbakar.** Perkakas listrik dapat memancarkan bunga api yang lalu mengakibatkan debu atau uap terbakar.

Jika selama mengangkat perkakas listrik jari Anda berada pada tombol untuk menghidupkan dan mematikan atau perkakas listrik yang dalam penyetalan hidup disambungkan pada listrik, dapat terjadi kecelakaan.

- ▶ **Lepaskan semua perkakas-perkakas penyetalan atau kunci-kunci pas sebelum perkakas listrik dihidupkan.** Perkakas atau kunci yang berada di dalam bagian yang berputar dapat mengakibatkan terjadinya luka-luka.
- ▶ **Aturkan badan sedemikian sehingga Anda bisa bekerja dengan aman. Berdirilah secara mantap dan jagalah selalu keseimbangan.** Dengan demikian Anda bisa mengendalikan perkakas listrik dengan lebih baik, jika terjadi sesuatu dengan tiba-tiba.
- ▶ **Pakailah pakaian yang cocok. Janganlah memakai pakaian yang longgar atau perhiasan. Jagalah supaya rambut, pakaian dan sarung tangan tidak masuk dalam bagian-bagian perkakas yang bergerak.** Pakaian yang longgar, rambut panjang atau perhiasan dapat tersangkut dalam bagian perkakas yang bergerak.
- ▶ **Jika ada kemungkinan untuk memasang sarana penghisapan dan penampungan debu, perhatikan bahwa sarana-sarana ini telah dipasang dan digunakan dengan betul.** Penggunaan sarana penghisapan bisa mengurangi bahaya yang disebabkan debu.

Penggunaan dan penanganan perkakas listrik dengan seksama

- ▶ **Janganlah membebankan perkakas listrik terlalu berat. Gunakan selalu perkakas listrik yang cocok untuk pekerjaan yang dilakukan.** Dengan perkakas listrik yang cocok Anda bekerja lebih baik dan lebih aman dalam batas-batas kemampuan yang ditentukan.
- ▶ **Janganlah menggunakan perkakas listrik yang tombolnya rusak.** Perkakas listrik yang tidak bisa dihidupkan atau dimatikan, berbahaya dan harus direparasikan.
- ▶ **Tariklah steker dari stopkontak dan/atau keluarkan baterai, sebelum Anda melakukan penyetalan pada perkakas listrik, mengganti alat-alat kerja atau sebelum menyimpan perkakas listrik.** Tindakan keselamatan kerja ini mengurangi bahaya perkakas listrik hidup secara tidak disengaja.
- ▶ **Simpanlah perkakas listrik yang tidak digunakan di luar jangkauan anak-anak. Janganlah mengizinkan orang-orang yang tidak mengenal perkakas listrik ini atau yang belum membaca petunjuk-petunjuk ini, menggunakan perkakas listrik ini.** Perkakas listrik bisa menjadi berbahaya, jika digunakan oleh orang-orang yang tidak mengenalnya.
- ▶ **Rawatlah perkakas listrik dengan seksama. Periksa, apakah bagian-bagian perkakas listrik yang bergerak berfungsi dengan baik dan tidak tersangkut, apakah ada bagian-bagian yang patah atau rusak sedemikian, sehingga dapat mempengaruhi jalannya perkakas listrik. Biarkan bagian-bagian perkakas yang rusak direparasikan, sebelum Anda mulai menggunakan perkakas listrik.** Banyak kecelakaan terjadi karena perkakas listrik tidak dirawat dengan seksama.

- ▶ **Perhatikan supaya alat-alat pemotong selalu tajam dan bersih.** Alat-alat pemotong dengan mata-mata pemotong yang tajam dan dirawat dengan seksama tidak mudah tersangkut dan lebih mudah dikendalikan.
- ▶ **Gunakanlah semua perkakas listrik, aksesoris, alat-alat kerja dsb. sesuai dengan petunjuk-petunjuk. Perhatikan syarat-syarat kerja dan macam pekerjaan yang dilakukan.** Penggunaan perkakas listrik untuk macam pekerjaan yang tidak cocok dengan kegunaannya bisa mengakibatkan keadaan yang berbahaya.

Servis

- ▶ **Biarkan perkakas listrik Anda direparasikan hanya oleh orang-orang ahli yang berpengalaman dan hanya dengan menggunakan suku cadang yang asli.** Dengan demikian terjamin keselamatan kerja dengan perkakas listrik ini secara berkesinambungan.

Petunjuk-petunjuk untuk keselamatan kerja untuk mesin gerinda langsung

Petunjuk-petunjuk untuk keselamatan kerja untuk semua jenis pekerjaan menggerinda

- ▶ **Perkakas listrik ini bisa digunakan sebagai mesin gerinda. Perhatikanlah semua petunjuk-petunjuk untuk keselamatan kerja, petunjuk-petunjuk untuk penggunaan, gambar-gambar dan data-data yang Anda terima bersama dengan perkakas listrik.** Jika Anda tidak menaati petunjuk-petunjuk berikut, bisa terjadi kontak listrik, kebakaran dan/atau luka-luka berat.
- ▶ **Perkakas listrik ini tidak cocok untuk pekerjaan mengampelas dengan kertas pasir, dengan sikat kawat, memolis dan sebagai mesin potong.** Pemakaian perkakas listrik untuk pekerjaan yang tidak cocok dengan tujuannya bisa mengakibatkan keadaan yang membahayakan dan terjadinya luka-luka.
- ▶ **Gunakanlah hanya aksesoris yang dirancang khusus untuk perkakas listrik ini dan dianjurkan oleh Bosch.** Jika suatu aksesoris bisa dipasang pada perkakas listrik milik Anda, ini tidak berarti bahwa penggunaannya yang aman terjamin.
- ▶ **Kecepatan putaran yang diizinkan dari alat kerja harus paling sedikit sebesar kecepatan putaran maksimal yang tercantum pada perkakas listrik.** Aksesoris yang diputar lebih cepat daripada kecepatan putaran yang diizinkan, bisa terpecah dan beterbangan.
- ▶ **Diameter luar dan ketebalan alat kerja harus sesuai dengan ukuran-ukuran yang dianjurkan bagi perkakas listrik milik Anda.** Alat kerja-alat kerja yang tidak cocok ukurannya tidak bisa dilindungi atau dikendalikan dengan baik.
- ▶ **Mata gerinda-mata gerinda, flens-flens, piringan-piringan atau alat kerja-alat kerja lainnya harus duduk pas pada poros kerja dari perkakas listrik milik Anda.** Alat kerja-alat kerja yang tidak duduk pas pada poros kerja dari perkakas listrik, berputar tidak sempurna karena tidak balans, bervibrasi keras sekali dan bisa membuat perkakas listrik tidak bisa dikendalikan.

30 | Bahasa Indonesia

- ▶ **Janganlah menggunakan alat kerja-alat kerja yang tidak mulus.** Sebelum digunakan, periksalah selalu alat kerja-alat kerja seperti mata gerinda diperiksa apakah ada bagian yang sembul dan retak, piringan diperiksa apakah retak, aus atau tumpul, sikat kawat diperiksa apakah ada kawat yang terlepas atau putus. Jika perkakas listrik atau alat kerja jatuh, periksalah apakah menjadi rusak atau gunakanlah alat kerja lainnya yang tidak rusak. Jika Anda telah memeriksa alat kerja dan telah memasangkannya, Anda dan orang-orang yang berada di dekat tempat kerja harus menjauh dari lingkungan gerak alat kerja yang memutar dan biarkan perkakas listrik berjalan dengan kecepatan putaran maksimal selama satu menit. Kebanyakan alat kerja-alat kerja yang rusak akan putus selama masa uji coba ini.
 - ▶ **Pakailah sarana pelindung bagi diri Anda.** Tergantung dari macam pekerjaan yang dilakukan, pakailah kedok penutup muka, pelindung mata atau kaca mata pelindung. Jika perlu, pakailah kedok anti debu, pemalut telinga, sarung tangan pelindung atau pakaian pelindung khusus yang melindungi Anda dari butir-butir gerinda dan butir-butir bahan (serbuk). Mata harus dilindungi terhadap benda-benda yang beterbangan, yang terjadi pada beberapa macam pemakaian perkakas listrik. Kedok anti debu atau kedok pelindung pernafasan harus mampu menyaring debu yang terjadi selama pemakaian perkakas listrik. Jika Anda mendengar suara bising untuk waktu yang lama, daya pendengaran bisa berkurang.
 - ▶ **Perhatikanlah supaya orang-orang lain cukup jauh dari tempat kerja Anda.** Semua orang yang mendekati tempat kerja Anda harus memakai sarana pelindung badan. Pecahan-pecahan dari benda yang dikerjakan atau alat kerja-alat kerja yang patah bisa beterbangan dan mengakibatkan luka-luka, juga di tempat yang agak jauh dari lingkungan gerak mesin.
 - ▶ **Peganglah perkakas listrik hanya pada pegangan yang terisolir, jika Anda melakukan pekerjaan di mana alat kerjanya bisa terkena pada saluran listrik yang tidak terlihat atau kabelnya sendiri.** Alat kerja yang bersentuhan dengan kabel yang bertegangan dapat mengakibatkan bagian-bagian logam dari perkakas listrik juga bertegangan dan lalu mengakibatkan kontak listrik.
 - ▶ **Jauhkan kabel listrik dari alat kerja-alat kerja yang berputar.** Jika Anda tidak bisa mengendalikan perkakas listrik, kabel listrik bisa terpotong atau tersangkut dan lalu tangan atau lengan Anda bisa terkena pada alat kerja yang berputar.
 - ▶ **Janganlah meletakkan perkakas listrik jika alat kerjanya belum berhenti sama sekali.** Alat kerja yang masih berputar bisa terkena pada permukaan di mana perkakas listrik diletakkan sehingga Anda tidak bisa mengendalikan perkakas listrik.
 - ▶ **Janganlah membiarkan perkakas listrik hidup jika Anda sedang mengangkatnya.** Pakaian Anda secara tidak disengaja bisa tersangkut pada alat kerja yang berputar dan alat kerja ini bisa menancap dalam badan Anda.
 - ▶ **Bersihkan lubang-lubang ventilasi pada perkakas listrik Anda secara berkala.** Kipas angin motor menarik debu ke dalam rumahan dan debu logam dalam jumlah yang besar dan listrik bisa mengakibatkan bahaya.
 - ▶ **Janganlah menggunakan perkakas listrik di dekat bahan-bahan yang mudah terbakar.** Bunga api bisa menyulut bahan-bahan ini.
 - ▶ **Janganlah menggunakan alat kerja-alat kerja yang memerlukan cairan pendingin.** Penggunaan air atau cairan pendingin lainnya bisa mengakibatkan kontak listrik.
- Bantingan dan petunjuk-petunjuk khusus**
- ▶ **Bantingan (kickback) adalah reaksi yang terjadi tiba-tiba jika alat kerja yang berputar tersangkut atau memblok, misalnya mata gerinda, piringan, sikat kawat dsb.** Jika alat kerja tersangkut atau memblok, alat kerja berhenti memutar secara tiba-tiba. Dengan demikian perkakas listrik yang tidak bisa dikendalikan terpelanting ke arah yang berlawanan dengan arah putaran alat kerja di tempat di mana alat kerja memblok. Jika misalnya satu mata gerinda tersangkut atau memblok dalam benda yang dikerjakan, maka pinggir mata gerinda yang berada di dalam benda yang dikerjakan tersangsang dan bisa mengakibatkan mata gerinda patah atau bantingan. Dalam hal demikian mata gerinda bergerak mendekati atau menjauhi orang yang menggunakan perkakas listrik, tergantung dari arah putaran mata gerinda di tempat di mana mata gerinda memblok. Dalam hal ini mata gerinda bisa patah. Bantingan adalah akibat dari penggunaan perkakas listrik yang tidak cocok dan tidak betul. Bantingan bisa dihindarkan dengan cara-cara yang diterangkan di bawah ini.
 - ▶ **Peganglah perkakas listrik dengan baik dan aturkan badan dan lengan-lengan Anda sedemikian, sehingga Anda bisa mengimbangi jika perkakas listrik membanting.** Gunakan selalu gagang tambahan jika memang ada, sehingga Anda bisa mengendalikan daya bantingan-daya bantingan atau momen reaksi-momen reaksi sebaik-baiknya pada waktu putaran sedang bertambah. Orang yang menggunakan perkakas listrik bisa mengendalikan bantingan atau daya reaksi-daya reaksi jika orang ini menaati petunjuk-petunjuk untuk keselamatan kerja.
 - ▶ **Janganlah sekali-kali mendekatkan tangan Anda pada alat kerja-alat kerja yang sedang berputar.** Jika perkakas listrik membanting, alat kerja bisa bergerak di atas tangan Anda.
 - ▶ **Jauhkan badan Anda dari bidang yang terjangkau oleh perkakas listrik yang membanting.** Perkakas listrik dibanting dalam arah yang berlawanan dengan arah putaran mata gerinda pada tempat di mana mata gerinda memblok.
 - ▶ **Bekerjalah dengan sangat hati-hati di sudut-sudut, pinggiran yang tajam dsb.** Jagalah supaya alat kerja-alat kerja tidak memantul dari benda yang dikerjakan dan terjepit. Alat kerja yang berputar cenderung terjepit di sudut-sudut, pinggiran yang tajam atau bisa memantul.

Ini mengakibatkan perkakas listrik tidak bisa dikendalikan atau mengakibatkan bantingan.

- ▶ **Janganlah menggunakan mata gergaji rantai atau mata gergaji yang bergerigi.** Alat kerja-alat kerja demikian sering mengakibatkan bantingan atau membuat perkakas listrik tidak bisa dikendalikan.

Petunjuk-petunjuk khusus untuk menggerinda

- ▶ **Gunakanlah selalu hanya alat kerja-alat kerja yang diizinkan untuk perkakas listrik milik Anda dan kap pelindung yang khusus untuk alat kerja-alat kerja ini.** Alat kerja-alat kerja yang tidak khusus untuk perkakas listrik ini tidak bisa ditutupi dan membahayakan.
- ▶ **Alat kerja-alat kerja hanya boleh digunakan untuk macam penggunaan yang disarankan. Misalnya: janganlah sekali-kali menggerinda dengan sisi samping dari mata potong.** Mata potong digunakan untuk mengkilis bahan dengan pinggiran dari piringan. Tekanan dari samping pada alat kerja ini bisa mematahkannya.
- ▶ **Gunakan selalu flens penjepit-flens penjepit yang mulus dan dalam ukuran dan bentuk yang cocok untuk alat kerja-alat kerja yang Anda pilih.** Flens-flens yang cocok menopang mata gerinda dan dengan demikian menghindarkan mata gerinda patah. Flens-flens untuk mata potong bisa jadi berbeda daripada flens-flens untuk mata gerinda lainnya.
- ▶ **Janganlah menggunakan mata gerinda yang aus dari perkakas listrik yang lebih besar.** Mata gerinda dari perkakas listrik yang lebih besar tidak cocok untuk kecepatan putaran yang lebih tinggi dari perkakas listrik yang lebih kecil dan bisa terpatah karenanya.

Petunjuk-petunjuk untuk keselamatan kerja lainnya

Pakailah kaca mata pelindung.



- ▶ **Gunakanlah alat detektor logam yang cocok untuk mencari kabel dan pipa yang tidak terlihat atau hubung perusahaan pengadaan setempat.** Sentuhan dengan kabel-kabel listrik dapat mengakibatkan api dan kontak listrik. Pipa gas yang dirusak dapat mengakibatkan ledakan. Pipa air yang dirusak mengakibatkan kerusakan barang-barang atau dapat mengakibatkan kontak listrik.

- ▶ **Buka penguncian tombol untuk menghidupkan dan mematikan dan setelkan tombol pada penyetelan mati, jika pengadaan listrik terputus, misalnya jika listrik mati atau steker ditarik dari stopkontak.** Dengan demikian perkakas listrik tidak hidup kembali secara tidak terkendali.
- ▶ **Janganlah memegang mata gerinda dan mata mata potong, jika masih belum menjadi dingin.** Piringan-piringan ini menjadi sangat panas selama penggunaannya.
- ▶ **Usahakan supaya benda yang dikerjakan tidak goyang.** Benda yang ditahan dalam alat pemegang atau bais lebih mantap daripada benda yang dipegang dengan tangan.

Penjelasan tentang produk dan daya



Bacalah semua petunjuk-petunjuk untuk keselamatan kerja dan petunjuk-petunjuk untuk penggunaan. Kesalahan dalam menjalankan petunjuk-petunjuk untuk keselamatan kerja dan petunjuk-petunjuk untuk penggunaan dapat mengakibatkan kontak listrik, kebakaran dan/atau luka-luka yang berat.

Penggunaan perkakas listrik

Perkakas listrik ini cocok untuk mengkilis dan meratakan tepian bahan logam dengan menggunakan mata gerinda korund serta untuk pekerjaan dengan pemegang dari tipe ampelas.

Bagian-bagian pada gambar

Nomor-nomor dari bagian-bagian perkakas pada gambar sesuai dengan gambar perkakas listrik pada halaman bergambar.

- 1 Cekaman
- 2 Mur untuk poros kerja
- 3 Poros kerja
- 4 Leher poros
- 5 Tombol untuk menghidupkan dan mematikan
- 6 Pegangan (genggaman terisolir)
- 7 Selubung pelindung
- 8 Pin pemegang*
- 9 Kunci pas ukuran 17 mm*

*Aksesori yang ada pada gambar atau yang dijelaskan, tidak termasuk pasokan standar. Semua aksesori yang ada bisa Anda lihat dalam program aksesori Bosch.

Data teknis

Mesin gerinda langsung	GGG 3000 L	GGG 5000	GGG 5000 L
Nomor model	3 601 B24 0..	3 601 B23 0..	3 601 B24 1..
Masukan nominal	W	300	500
Kecepatan putaran nominal	min ⁻¹	28000	33000
Diameter maks. cekaman	mm	8	8
Leher poros Ø	mm	41	43,5
Data-data berlaku untuk tegangan nominal [U] 230 V. Pada tegangan yang lebih rendah dan pada model khusus mancanegara data-data ini bisa berlainan.			

32 | Bahasa Indonesia

Mesin gerinda langsung		GGG 3000 L	GGG 5000	GGG 5000 L
Ketebalan maks. mata gerinda	mm	30	30	30
Diameter maks. mata gerinda	mm	25	25	25
Berat sesuai dengan EPTA-Procedure 01/2003	kg	1,4	1,0	1,4
Klasifikasi keamanan		□/II	□/II	□/II

Data-data berlaku untuk tegangan nominal [U] 230 V. Pada tegangan yang lebih rendah dan pada model khusus mancanegara data-data ini bisa berlainan.

Cara memasang

- ▶ **Sebelum mulai dengan pekerjaan pada perkakas listrik, tarikhlah steker dari stopkontak.**

Memasang alat kerja-alat kerja (GGG 5000) (lihat gambar A)

- Bersihkan dahulu poros kerja **3** dan semua bagian-bagian yang akan dipasangkan.
- Putarkan poros kerja **3**, hingga lubang di poros kerja **3** dan tempat-tempat kosong di rumahannya berada dalam satu garis. Masukkan pin pemegang **8** melalui tempat-tempat kosong di rumahannya dan lubang di poros kerja **3**.
- Kendorkan mur untuk poros kerja **2** dengan kunci pas **9** (ukuran 17 mm) dengan cara memutar dalam arah yang berlawanan dengan jalannya jarum jam.
- Masukkan gagang dari mata gerinda ke dalam cekaman **1** sampai batas.
- Kencangkan mur untuk poros kerja **2** dengan kunci pas **9** (ukuran 17 mm) dengan cara memutar dalam arah jalannya jarum jam.

Mata gerinda-mata gerinda harus bisa berputar secara sempurna. Janganlah menggunakan mata gerinda yang sembul, melainkan gantikan mata gerinda yang demikian.

- ▶ **Janganlah sekali-kali mengencangkan cekaman dengan mur untuk poros kerja, jika tidak ada mata gerinda yang terpasang.** Cekaman bisa menjadi rusak karenanya.

Memasang alat kerja-alat kerja (GGG 3000 L/GGG 5000 L) (lihat gambar B)

- Bersihkan dahulu poros kerja **3** dan semua bagian-bagian yang akan dipasangkan.
- Tahankan poros kerja **3** dengan kunci pas **9** pada pipi untuk kunci pas.
- Lepaskan mur untuk poros kerja **2** dengan kunci pas **9** pada pipi untuk kunci pas dengan cara memutar dalam arah yang berlawanan dengan jalannya jarum jam.
- Masukkan gagang dari mata gerinda ke dalam cekaman **1** sampai batas.
- Tahankan poros kerja **3** dengan kunci pas **9** dan kencangkan alat kerja dengan kunci pas **9** pada pipi untuk kunci pas dan memutar dalam arah jalannya jarum jam.

Mata gerinda-mata gerinda harus bisa berputar secara sempurna. Janganlah menggunakan mata gerinda yang sembul, melainkan gantikan mata gerinda yang demikian.

- ▶ **Janganlah sekali-kali mengencangkan cekaman dengan mur untuk poros kerja, jika tidak ada mata gerinda yang terpasang.** Cekaman bisa menjadi rusak karenanya.

Penghisapan debu/serbuk

- ▶ Debu dari bahan-bahan seperti misalnya cat yang mengandung timbel (timah hitam), beberapa jenis kayu, bahan mineral dan logam bisa berbahaya bagi kesehatan. Menyentuh atau menghirup debu-debu ini bisa mengakibatkan reaksi alergi dan/atau penyakit saluran pernafasan dari orang yang menggunakan mesin atau orang yang berada di dekatnya. Beberapa debu tertentu seperti misalnya debu kayu pohon quercus atau pohon fagus silvatica dianggap bisa mengakibatkan penyakit kanker, terutama dalam campuran dengan bahan-bahan tambahan untuk pengolahan kayu (kromat, obat pengawet kayu). Bahan-bahan yang mengandung asbestos hanya boleh dikerjakan oleh orang-orang yang ahli.
 - Perhatikanlah supaya ada pertukaran udara di tempat kerja.
 - Kami anjurkan supaya Anda memakai kedok anti debu dengan saringan (filter) kelas P2.

Taatilah peraturan-peraturan untuk bahan-bahan yang dikerjakan yang berlaku di negara Anda.

- ▶ **Hindarkan debu yang banyak terkumpul di tempat kerja.** Debu dapat menyulut dengan mudahnya.

Penggunaan

Cara penggunaan

- ▶ **Perhatikan tegangan jaringan listrik! Tegangan jaringan listrik harus sesuai dengan tegangan listrik yang tercantum pada label tipe perkakas listrik.**
- ▶ **Sebelum setiap penggunaan, periksalah apakah cekaman 1 dan mur untuk poros kerja 2 ada kerusakannya yang terlihat.**

Menghidupkan/mematikan perkakas listrik

Untuk **menghidupkan** perkakas listrik, dorong tombol untuk menghidupkan dan mematikan **5** ke depan.

Untuk **mengunci** tombol untuk menghidupkan dan mematikan **5**, tekan tombol untuk menghidupkan dan mematikan **5** bagian depan ke bawah, sampai mengunci.

Untuk **mematikan** perkakas listrik, lepaskan tombol untuk menghidupkan dan mematikan **5** atau jika sedang terkunci, tekan tombol untuk menghidupkan dan mematikan **5** bagian belakang sebentar saja ke bawah dan kemudian lepaskan.

Petunjuk-petunjuk untuk pemakaian

Goyangkan mata gerinda dengan tekanan ringan secara merata ke sana dan kemari, untuk mendapat hasil kerja yang paling bagus. Tekanan yang terlalu besar membuat daya perkakas listrik berkurang dan mata gerinda menjadi cepat aus.

Rawatan dan servis

Rawatan dan kebersihan

- ▶ **Sebelum mulai dengan pekerjaan pada perkakas listrik, tarikhlah steker dari stopkontak.**
- ▶ **Perkakas listrik dan lubang ventilasi harus selalu dibersihkan supaya perkakas bisa digunakan dengan baik dan aman.**
- ▶ **Pada penggunaan yang luar biasa, jika mungkin gunakanlah selalu sarana penghisapan. Lubang ventilasi harus sering dibersihkan dengan cara meniup dan gunakanlah sakelar pengaman terhadap arus penyimpangan (FI).** Jika mengerjakan bahan logam bisa terjadi debu yang konduktif di dalam perkakas listrik. Isolasi keselamatan dari perkakas listrik bisa menjadi berkurang.

Simpanlah dan tangani aksesori secara cermat.

Jika kabel listrik harus digantikan, pekerjaan ini harus dilakukan oleh Bosch atau Service Center untuk perkakas listrik Bosch yang resmi, supaya keselamatan kerja selalu terjamin.

Jika pada suatu waktu perkakas listrik ini tidak bisa berjalan meskipun telah diproduksi dan diperiksa dengan seksama, maka reparasinya harus dilakukan oleh Service Center perkakas listrik Bosch yang resmi.

Jika Anda hendak menanyakan sesuatu atau memesan suku cadang, sebutkan selalu nomor model yang terdiri dari 10 angka dan tercantum pada label tipe perkakas.

Layanan pasca beli dan konsultasi bagi pelanggan

Layanan pasca beli Bosch menjawab semua pertanyaan Anda tentang reparasi dan perawatan serta tentang suku cadang produk ini. Gambar tiga dimensi dan informasi tentang suku cadang bisa Anda lihat di:

www.bosch-pt.com

Tim konsultan Bosch dengan senang hati membantu Anda pada pembelian, penggunaan dan penyetulan produk ini dan aksesorinya.

Indonesia

PT. Multi Mayaka
Kawasan Industri Pulogadung
Jalan Rawa Gelam III No. 2
Jakarta 13930
Indonesia
Tel.: +62 (21) 46 83 25 22
Fax: +62 (21) 46 82 86 45/68 23
E-Mail: sales@multimayaka.co.id
www.bosch-pt.co.id

Cara membuang

Perkakas listrik, aksesoris dan kemasan sebaiknya didaur ulang sesuai dengan upaya untuk melindungi lingkungan hidup.

Janganlah membuang perkakas listrik dalam sampah rumah tangga!

Perubahan adalah hak Bosch.

Tiếng Việt

Các Nguyên Tắc An Toàn

Cảnh báo tổng quát cách sử dụng an toàn dụng cụ điện cầm tay

⚠ CẢNH BÁO Đọc kỹ mọi cảnh báo an toàn và hướng dẫn. Không tuân thủ mọi cảnh báo và hướng dẫn được liệt kê dưới đây có thể bị điện giật, gây cháy và/hay bị thương tật nghiêm trọng.

Hãy giữ tất cả tài liệu về cảnh báo và hướng dẫn để tham khảo về sau.

Thuật ngữ “dụng cụ điện cầm tay” trong phần cảnh báo là đề cập đến sự sử dụng dụng cụ điện cầm tay của bạn, loại sử dụng điện nguồn (có dây cắm điện) hay vận hành bằng pin (không dây cắm điện).

Khu vực làm việc an toàn

- ▶ **Giữ nơi làm việc sạch và đủ ánh sáng.** Nơi làm việc bừa bộn và tối tăm dễ gây ra tai nạn.
- ▶ **Không vận hành dụng cụ điện cầm tay trong môi trường dễ gây nổ, chẳng hạn như nơi có chất lỏng dễ cháy, khí đốt hay rác.** Dụng cụ điện cầm tay tạo ra các tia lửa nên có thể làm rác bén cháy hay bốc khói.
- ▶ **Không để trẻ em hay người đến xem đứng gần khi vận hành dụng cụ điện cầm tay.** Sự phân tâm có thể gây ra sự mất điều khiển.

An toàn về điện

- ▶ **Phích cắm của dụng cụ điện cầm tay phải thích hợp với ổ cắm.** Không bao giờ được cải biến lại phích cắm dưới mọi hình thức. Không được sử dụng phích tiếp hợp nối tiếp đất (dây mát). Phích cắm nguyên bản và ổ cắm đúng loại sẽ làm giảm nguy cơ bị điện giật.
- ▶ **Tránh không để thân thể tiếp xúc với đất hay các vật có bề mặt tiếp đất như đường ống, lò sưởi, hàng rào và tủ lạnh.** Có nhiều nguy cơ bị điện giật hơn nếu cơ thể bạn bị tiếp hay nối đất.

34 | Tiếng Việt

- ▶ **Không được để dụng cụ điện cầm tay ngoài mưa hay ở tình trạng ẩm ướt.** Nước vào máy sẽ làm tăng nguy cơ bị điện giật.
- ▶ **Không được lạm dụng dây dẫn điện.** Không bao giờ được nắm dây dẫn để xách, kéo hay rút phích cắm dụng cụ điện cầm tay. Không để dây gần nơi có nhiệt độ cao, dầu nhớt, vật nhọn bén hay bộ phận chuyển động. Làm hỏng hay cuộn rối dây dẫn làm tăng nguy cơ bị điện giật.
- ▶ **Khi sử dụng dụng cụ điện cầm tay ngoài trời,** dùng dây nối thích hợp cho việc sử dụng ngoài trời. Sử dụng dây nối thích hợp cho việc sử dụng ngoài trời làm giảm nguy cơ bị điện giật.
- ▶ **Nếu việc sử dụng dụng cụ điện cầm tay ở nơi ẩm ướt là không thể tránh được,** dùng thiết bị ngắt mạch tự động (RCD) bảo vệ nguồn. Sử dụng thiết bị ngắt mạch tự động RCD làm giảm nguy cơ bị điện giật.

An toàn cá nhân

- ▶ **Hãy tỉnh táo, biết rõ mình đang làm gì và hãy sử dụng ý thức khi vận hành dụng cụ điện cầm tay.** Không sử dụng dụng cụ điện cầm tay khi đang mệt mỏi hay đang bị tác động do chất gây nghiện, rượu hay được phẩm gây ra. Một thoáng mất tập trung khi đang vận hành dụng cụ điện cầm tay có thể gây thương tích nghiêm trọng cho bản thân.
- ▶ **Sử dụng trang bị bảo hộ cá nhân.** Luôn luôn đeo kính bảo vệ mắt. Trang bị bảo hộ như khẩu trang, giày chống trượt, nón bảo hộ, hay dụng cụ bảo vệ tai khi được sử dụng đúng nơi đúng chỗ sẽ làm giảm nguy cơ thương tật cho bản thân.
- ▶ **Phòng tránh máy khởi động bất ngờ.** Bảo đảm công tắc máy ở vị trí tắt trước khi cắm vào nguồn điện và/hay lắp pin vào, khi nhấn máy lên hay khi mang xách máy. Ngáng ngón tay vào công tắc máy để xách hay kích hoạt dụng cụ điện cầm tay khi công tắc ở vị trí mở dễ dẫn đến tai nạn.
- ▶ **Lấy mọi chìa hay khóa điều chỉnh ra trước khi mở điện dụng cụ điện cầm tay.** Khóa hay chìa còn gắn dính vào bộ phận quay của dụng cụ điện cầm tay có thể gây thương tích cho bản thân.
- ▶ **Không rướn người.** Luôn luôn giữ tư thế đứng thích hợp và thăng bằng. Điều này tạo cho việc điều khiển dụng cụ điện cầm tay tốt hơn trong mọi tình huống bất ngờ.
- ▶ **Trang phục thích hợp.** Không mặc quần áo rộng lung thùng hay mang trang sức. Giữ tóc, quần áo và găng tay xa khỏi các bộ phận chuyển động. Quần áo rộng lung thùng, đồ trang sức hay tóc dài có thể bị cuốn vào các bộ phận chuyển động.
- ▶ **Nếu có các thiết bị đi kèm để nối máy hút bụi và các phụ kiện khác, bảo đảm các thiết bị này được nối và sử dụng tốt.** Việc sử dụng các thiết bị gom hút bụi có thể làm giảm các độc hại liên quan đến bụi gây ra.

Sử dụng và bảo dưỡng dụng cụ điện cầm tay

- ▶ **Không được ép máy.** Sử dụng dụng cụ điện cầm tay đúng loại theo đúng ứng dụng của bạn. Dụng cụ điện cầm tay đúng chức năng sẽ làm việc tốt và an toàn hơn theo đúng tiến độ mà máy được thiết kế.
- ▶ **Không sử dụng dụng cụ điện cầm tay nếu như công tắc không tắt và mở được.** Bất kỳ dụng cụ điện cầm tay nào mà không thể điều khiển được bằng công tắc là nguy hiểm và phải được sửa chữa.
- ▶ **Rút phích cắm ra khỏi nguồn điện và/hay pin ra khỏi dụng cụ điện cầm tay trước khi tiến hành bất kỳ điều chỉnh nào, thay phụ kiện, hay cắt dụng cụ điện cầm tay.** Các biện pháp ngăn ngừa như vậy làm giảm nguy cơ dụng cụ điện cầm tay khởi động bất ngờ.
- ▶ **Cất giữ dụng cụ điện cầm tay không dùng tới nơi trẻ em không lấy được và không cho người chưa từng biết dụng cụ điện cầm tay hay các hướng dẫn này sử dụng dụng cụ điện cầm tay.** Dụng cụ điện cầm tay nguy hiểm khi ở trong tay người chưa được chỉ cách sử dụng.
- ▶ **Bảo quản dụng cụ điện cầm tay.** Kiểm tra xem các bộ phận chuyển động có bị sai lệch hay kẹt, các bộ phận bị rạn nứt và các tình trạng khác có thể ảnh hưởng đến sự vận hành của máy. Nếu bị hư hỏng, phải sửa chữa máy trước khi sử dụng. Nhiều tai nạn xảy ra do bảo quản dụng cụ điện cầm tay tồi.
- ▶ **Giữ các dụng cụ cất bên và sạch.** Bảo quản đúng cách các dụng cụ cất có cạnh cắt bên làm giảm khả năng bị kẹt và dễ điều khiển hơn.
- ▶ **Sử dụng dụng cụ điện cầm tay, phụ kiện, đầu cài v. v., đúng theo các chỉ dẫn này, hãy lưu ý đến điều kiện làm việc và công việc phải thực hiện.** Sử dụng dụng cụ điện cầm tay khác với mục đích thiết kế có thể tạo nên tình huống nguy hiểm.

Bảo dưỡng

- ▶ Đưa dụng cụ điện cầm tay của bạn đến thợ chuyên môn để bảo dưỡng, chỉ sử dụng phụ tùng đúng chủng loại để thay. Điều này sẽ đảm bảo sự an toàn của máy được giữ nguyên.

Cảnh Báo An Toàn cho các loại Máy Mài Thẳng**Các nguyên tắc an toàn chung cho sự gia công mài**

- ▶ **Dụng cụ điện này được sử dụng như một máy mài.** Hãy tuân thủ tất cả các cảnh báo về an toàn, hướng dẫn, hình ảnh minh họa và các thông số kỹ thuật được cung cấp kèm theo dụng cụ điện này. Không thực hiện theo mọi hướng dẫn được liệt kê bên dưới có thể bị điện giật, cháy và/hoặc thương tích nghiêm trọng.
- ▶ **Dụng cụ điện này không thích hợp để chà nhám bằng đĩa chà, vận hành chung với bàn chải sắt, đánh bóng hay cắt bằng cách mài mòn.** Vận hành dụng cụ điện khác với mục đích thiết kế có thể gây nguy hiểm và làm cho chính mình bị thương tật.
- ▶ **Không sử dụng loại phụ tùng không được thiết kế chuyên dụng và đã được nhà sản xuất máy khuyến cáo.** Chỉ vì phụ tùng có thể lắp vào được dụng cụ điện của bạn, nó không đảm bảo sự vận hành an toàn.
- ▶ **Tốc độ danh định của phụ tùng phải ít nhất là bằng với tốc độ tối đa được ghi trên dụng cụ điện cầm tay.** Phụ tùng chạy nhanh hơn tốc độ danh định của chúng có thể văng vỡ ra.
- ▶ **Đường kính ngoài và độ dày phụ tùng của bạn phải nằm trong công suất danh định của dụng cụ điện của bạn.** Không thể bảo vệ hay điều khiển đúng cách được với phụ tùng không đúng kích cỡ.
- ▶ **Tâm lỗ của đĩa, bích lắp, miếng đệm hay bất kỳ loại phụ tùng nào khác phải vừa vận phù hợp với trục quay của dụng cụ điện.** Phụ tùng có tâm lỗ của đĩa không phù hợp với mâm lắp của dụng cụ điện sẽ chạy mất thăng bằng, rung lắc mạnh và có thể làm mất sự điều khiển.
- ▶ **Không được sử dụng phụ tùng đã bị hư hỏng.** Trước mỗi lần sử dụng, kiểm tra phụ tùng giả dụ như là đĩa hạt mài xem có bị nứt mẻ hay rạn nứt, miếng đệm xem có bị rách hay quá mòn, bàn chải kim loại xem râu có bị gãy hay dính không chặt. Nếu dụng cụ điện hay phụ tùng bị rơi xuống, kiểm tra xem có hư hỏng hay lắp phụ tùng còn tốt nguyên vào. Sau khi kiểm tra và lắp phụ tùng vào, bố trí bản thân bạn và

những người gần đó ra xa khỏi các điểm tiếp cận được của phụ tùng đang quay và cho dụng cụ điện của bạn chạy với tốc độ không tải tối đa trong một phút. Phụ tùng bị hỏng thường thì sẽ bị văng vỡ ra trong thời điểm kiểm tra này.

- ▶ **Hãy mang trang bị bảo hộ vào.** Tùy theo loại công việc, sử dụng chắn che mặt, kính chụp mắt hay kính bảo hộ. Để thích hợp, mang mặt nạ chống bụi, đồ dùng bảo hộ tai nghe, găng tay và quần áo bảo hộ có khả năng ngăn bụi đá hay các mảnh vỡ của vật gia công bắn vào. Sự bảo vệ mắt là phải có khả năng ngăn được các mảnh vỡ văng ra từ các ứng dụng khác nhau tạo nên. Mặt nạ chống bụi hay khẩu trang phải có khả năng lọc được các hạt nhỏ phát sinh ra từ chính các hoạt động máy của bạn. Kéo dài thời gian để tai trần tiếp xúc với tiếng ồn có cường độ mạnh có thể gây điếc.
- ▶ **Bố trí những người đứng xem ở khoảng cách an toàn ra xa khỏi nơi làm việc.** Những ai đi vào khu vực làm việc phải có trang bị bảo hộ cá nhân. Mảnh vỡ của vật gia công hay của phụ tùng có khả năng văng ra và gây thương tích bên ngoài khu vực vận hành máy.
- ▶ **Chỉ nắm giữ dụng cụ điện ở phần nắm đã được cách điện, khi vận hành máy ở nơi mà dụng cụ cắt có thể chạm phải dây điện được thiết kế dấu không nhìn thấy được hay chính dây dẫn của máy.** Dụng cụ cắt chạm phải dây "có điện" có thể làm cho các bộ phận kim loại không được bao bọc "có điện" và giật người vận hành máy.
- ▶ **Để dây điện tránh xa phụ tùng đang quay.** Nếu sự kiểm soát dụng cụ điện bị mất, dây điện có thể bị cắt, tay hay cánh tay của bạn có thể bị quấn lại và bị lồi vào phụ tùng đang quay.
- ▶ **Không bao giờ được đặt dụng cụ điện xuống cho đến khi phụ tùng đã ngừng quay hoàn toàn.** Phụ tùng đang quay có thể ăn vào vào bề mặt vật liệu và kéo dụng cụ điện ra khỏi sự điều khiển của bạn.
- ▶ **Không cho dụng cụ điện hoạt động khi đang mang bên hông.** Vô tình chạm vào phụ tùng đang quay, quần áo bạn có thể bị quấn vào, kéo phụ tùng xỉa vào mình bạn.
- ▶ **Thường xuyên làm sạch các khe thông gió của dụng cụ điện.** Quạt gió mô tơ sẽ kéo bụi nằm trong vỏ máy ra và sự tích tụ quá nhiều bột kim loại có thể gây nên các nguy hiểm về điện.
- ▶ **Không được vận hành dụng cụ điện gần nơi có các chất dễ cháy.** Tia lửa bắn ra có thể gây cháy các nguyên liệu này.

36 | Tiếng Việt

- ▶ **Không sử dụng phụ tùng loại cần có chất lỏng làm mát.** Sử dụng nước hay các loại chất lỏng làm mát khác có thể dẫn đến việc chết do điện giật hay bị điện giật.

Lực dội ngược và các cảnh báo liên quan

- ▶ Dội ngược là một phản ứng đột ngột do đĩa đang quay, miếng đệm, chốt chà hay bất cứ phụ tùng nào khác bị kẹt lại hay gặp trở ngại bất ngờ. Sự cố bị kẹt lại hay gặp trở ngại bất ngờ làm cho phụ tùng đang quay nhanh chóng ngừng ngay hoạt động, hậu quả là làm cho dụng cụ điện cầm tay bị mất điều khiển nên quay ngược lại chiều quay của phụ tùng ngay thời điểm bị kẹt chặt. Ví dụ, nếu một đĩa hạt mài bị vật gia công chèn chặt hay bị kẹt lại, cạnh của đĩa đang tiến vào điểm bị kẹt có thể bập lên bề mặt của vật liệu làm cho đĩa leo ra hay bật ngược lại. Đĩa có thể nhảy chồm về phía trước hay văng ra khỏi người điều khiển máy, tùy theo hướng chuyển động của đĩa ngay thời điểm bị kẹt. Trong trường hợp này, các đĩa dạng hạt có khả năng bị vỡ. Sự dội ngược là hậu quả của việc sử dụng dụng cụ điện cầm tay không đúng chức năng và/hay qui trình thao tác không đúng cách hoặc do điều kiện xấu và có thể tránh được bằng cách tuân theo các cách phòng tránh thích hợp được trình bày dưới đây.
- ▶ **Luôn giữ chắc dụng cụ điện và tạo tư thế thân thể và cánh tay cho phép bạn chịu được lực dội ngược.** Luôn luôn sử dụng tay nắm phụ, nếu có kèm theo máy, để khống chế tối đa các phản ứng dội ngược hay vận xoắn trong thời điểm khởi động. Người vận hành máy có thể kiểm soát được các phản ứng vận xoắn hay lực dội ngược nếu tuân thủ các chỉ dẫn phòng tránh đúng cách.
- ▶ **Không bao giờ được để tay của bạn gần phụ tùng đang quay.** Phụ tùng có thể động ngược lên tay của bạn.
- ▶ **Không để người của bạn phò ra trong phạm vi mà dụng cụ điện sẽ tới được nếu sự dội ngược xảy ra.** Sự dội ngược sẽ làm quay dụng cụ điện về chiều ngược với chiều chuyển động của đĩa tại thời điểm gặp sự cố.
- ▶ **Hãy đặt biệt lưu ý khi gia công các góc cạnh, cạnh bén v.v. Tránh không để phụ tùng bị nảy lên hay bị chèn chặt.** Các góc, cạnh bén hay sự nảy lên có khuynh hướng làm cho phụ tùng đang quay bị trở ngại và làm mất điều khiển hay bị dội ngược.

- ▶ **Không lắp lưới cửa xích, dao khắc gỗ hay lưỡi cưa răng vào.** Những loại lưới như vậy thường xuyên tạo ra sự dội ngược và làm mất sự điều khiển dụng cụ điện.

Các nguyên tắc riêng dành cho việc gia công mài

- ▶ **Chỉ sử dụng loại đĩa được khuyến cáo dùng cho dụng cụ điện của bạn và chắc bảo vệ được thiết kế dành riêng cho loại đĩa được chọn.** Các đĩa không được thiết kế cho dụng cụ điện cầm tay không thể bảo vệ ta đúng cách và không an toàn.
- ▶ **Chỉ được sử dụng đĩa theo đúng khuyến cáo ứng dụng.** Ví dụ: không được lấy cạnh của đĩa cắt để mài. Đĩa cắt dạng hạt được cấu tạo dùng chu vi ngoại biên đĩa để mài; Lực đẩy ngang áp vào các đĩa này có thể làm chúng vỡ vụn ra.
- ▶ **Luôn sử dụng bích lắp còn tốt nguyên, đúng kích cỡ và hình dáng cho loại đĩa mà bạn chọn.** Bích lắp đúng chủng loại chống đỡ cho đĩa, do đó làm giảm khả năng vỡ đĩa. Bích lắp dùng cho đĩa cắt có thể khác với bích lắp dùng cho đĩa mài.
- ▶ **Không sử dụng đĩa dùng cho dụng cụ điện lớn hơn đã bị mòn nhỏ lại.** Đĩa được cấu tạo cho dụng cụ điện loại lớn không thích hợp với dụng cụ điện cầm tay nhỏ lại có tốc độ cao hơn và có thể bị vỡ tung.

Các cảnh báo phụ thêm

Hãy mang kính bảo hộ.



- ▶ **Dùng thiết bị dò tìm thích hợp để xác định nếu có các công trình công cộng lắp đặt ngầm trong khu vực làm việc hay liên hệ với Cty công trình Công cộng địa phương để nhờ hỗ trợ.** Dụng cụ dò tìm đường dẫn điện có thể gây ra hỏa hoạn và điện giật. Làm hư hại đường dẫn khí ga có thể gây nổ. Làm thủng đường dẫn nước gây hư hỏng tài sản hay có khả năng gây ra điện giật.
- ▶ **Nhả công tắc Tắt/Mở ra và chuyển về vị trí tắt khi nguồn điện cung cấp bị ngắt, ví dụ., như khi bị mất điện hay khi phích cắm bị tuột ra.** Cách này để ngăn sự khởi động lại không được kiểm soát.
- ▶ **Không được chạm vào đĩa mài hay đĩa cắt trước khi các đĩa này đã nguội.** Đĩa có thể trở nên rất nóng trong lúc hoạt động.
- ▶ **Kẹp chặt vật gia công.** Vật gia công được kẹp bằng một thiết bị kẹp hay bằng êtô thì vững chắc hơn giữ bằng tay.

Mô Tả Sản Phẩm và Đặc Tính Kỹ Thuật



Đọc kỹ mọi cảnh báo an toàn và mọi hướng dẫn. Không tuân thủ mọi cảnh báo và hướng dẫn được liệt kê dưới đây có thể bị điện giật, gây cháy và/hay bị thương tật nghiêm trọng.

Dành sử dụng cho

Máy được thiết kế để mài và làm sạch rìa vật liệu kim loại bằng cách sử dụng dụng cụ mài bằng chất đá cứng corundum, cũng như để sử dụng với đá mài đĩa.

Biểu trưng của sản phẩm

Sự đánh số các biểu trưng của sản phẩm là để tham khảo hình minh họa của máy trên trang hình ảnh.

- 1 Cổ góp
- 2 Đai ốc chặn
- 3 Trục máy mài
- 4 Cổ trục
- 5 Công tắc Tắt/Mở
- 6 Tay nắm (bề mặt nắm cách điện)
- 7 Ống bọc bảo vệ
- 8 Chốt chặn*
- 9 Chia vận mở miệng, cỡ 17 mm*

*Phụ tùng được trình bày hay mô tả không phải là một phần của tiêu chuẩn hàng hóa được giao kèm theo sản phẩm. Bạn có thể tham khảo tổng thể các loại phụ tùng, phụ kiện trong chương trình phụ tùng của chúng tôi.

Thông số kỹ thuật

Máy mài thẳng	GG5 3000 L	GG5 5000	GG5 5000 L	
Mã số máy	3 601 B24 0..	3 601 B23 0..	3 601 B24 1..	
Công suất vào danh định	W	300	500	500
Tốc độ danh định	v/p	28000	33000	33000
Đường kính mâm cặp, tối đa	mm	8	8	8
Đường kính cổ trục	mm	41	43,5	41
Độ dày của các đĩa mài, tối đa	mm	30	30	30
Đường kính dụng cụ mài, tối đa	mm	25	25	25
Trọng lượng theo Qui trình EPTA-Procedure 01/2003 (chuẩn EPTA 01/2003)	kg	1,4	1,0	1,4
Cấp độ bảo vệ		□/II	□/II	□/II

Các giá trị đã cho có hiệu lực cho điện thế danh định [U] 230 V. Đối với điện thế thấp hơn và các loại máy dành riêng cho một số quốc gia, các giá trị này có thể thay đổi.

Sự lắp vào

- ▶ Trước khi tiến hành bất cứ việc gì trên máy, kéo phích cắm điện nguồn ra.

Lắp Dụng Cụ Mài (GG5 5000) (xem hình A)

- Làm sạch trục máy mài 3 và tất cả bộ phận sắp được lắp vào.
- Xoay trục máy mài 3 cho đến khi cái lỗ trên trục máy mài 3 và các khe trống của vỏ máy nằm chồng lên nhau. Tra chốt chặn 8 luồn qua các khe trống của vỏ máy và cái lỗ của trục máy mài 3.
- Nới lỏng đai ốc chặn 2 bằng chia vận mở miệng 9 (cỡ 17 mm) bằng cách vận ngược chiều kim đồng hồ.
- Lắp chuỗi dùng để kẹp của dụng cụ mài hết vào trong cổ góp (mâm cặp) 1.

- Siết chặt đai ốc chặn 2 bằng chia vận mở miệng 9 (cỡ 17 mm) bằng cách vận theo chiều kim đồng hồ.

Dụng cụ mài phải quay hoàn toàn đều và đồng tâm. Không được sử dụng các phụ tùng không tròn đều, để thay thế, thay dụng cụ mài khác vào trước khi tiếp tục làm việc.

- ▶ Không được siết chặt cổ góp của đai ốc chặn chừng nào còn chưa có phụ tùng mài được lắp vào. Nếu không, ta có thể làm cho cổ góp bị hư hỏng.

Lắp Dụng Cụ Mài (GG5 3000 L/GG5 5000 L) (xem hình B)

- Làm sạch trục máy mài 3 và tất cả bộ phận sắp được lắp vào.
- Giữ chặt trục máy mài 3 bằng chia vận mở miệng 9 cặp vào khớp tra chia vận.

38 | Tiếng Việt

Tháo đai ốc chặn 2 bằng chìa vặn mở miệng 9 bằng cách tra vào khớp tra chia vận và vận ngược chiều kim đồng hồ.

- Lắp chuỗi dùng để kẹp của dụng cụ mài hết vào trong cổ góp (mâm cặp) 1.
- Giữ trục máy mài 3 thật chặt bằng chìa vặn mở miệng 9 và siết chặt dụng cụ đầu gài bằng chìa vặn mở miệng 9 tra vào khớp tra chia vận, vận theo chiều kim đồng hồ.

Dụng cụ mài phải quay hoàn toàn đều và đồng tâm. Không được sử dụng các phụ tùng không tròn đều, để thay thế, thay dụng cụ mài khác vào trước khi tiếp tục làm việc.

- ▶ **Không được siết chặt cổ góp của đai ốc chặn chừng nào còn chưa có phụ tùng mài được lắp vào.** Nếu không, ta có thể làm cho cổ góp bị hư hỏng.

Hút Dăm/Bụi

- ▶ Mạt bụi từ các vật liệu được sơn phủ ngoài có chứa chì trên một số loại gỗ, khoáng vật và kim loại có thể gây nguy hại đến sức khỏe con người. Dụng cụ chạm hay hít thở các bụi này có thể làm người sử dụng hay đứng gần bị dị ứng và/hoặc gây nhiễm trùng hệ hô hấp.

Một số mạt bụi cụ thể, ví dụ như bụi gỗ sồi hay đậu, được xem là chất gây ung thư, đặc biệt là có liên quan đến các chất phụ gia dùng xử lý gỗ (chất cromat, chất bảo quản gỗ). Có thể chỉ nên để thợ chuyên môn gia công các loại vật liệu có chứa amiăng.

- Tạo không khí thông thoáng nơi làm việc.
- Khuyến nghị nên mang mặt nạ phòng độc có bộ lọc cấp P2.

Tuân thủ các qui định của quốc gia bạn liên quan đến loại vật liệu gia công.

- ▶ **Tránh không để rác tích tụ tại nơi làm việc.** Rác có thể dễ dàng bắt lửa.

Vận Hành

Bắt Đầu Vận Hành

- ▶ **Tuân thủ theo đúng điện thế! Điện thế nguồn phải đúng với điện thế đã ghi rõ trên nhãn máy.**
- ▶ **Nhìn bề ngoài để kiểm tra cổ góp 1 và đai ốc chặn 2 xem có bị nứt hay hư hỏng trước khi sử dụng.**

Bật Mở và Tắt

Để **mở** dụng cụ điện cầm tay, đẩy công tắc Tắt/Mở 5 về phía trước.

Để **khóa** công tắc Tắt/Mở 5, nhấn công tắc Tắt/Mở 5 ở phần trước xuống cho đến khi vào khớp.

Để **tắt** dụng cụ điện cầm tay, nhấn công tắc Tắt/Mở 5 ra hay, nếu đã bị khóa, nhấn nhanh phần sau của công tắc Tắt/Mở 5 và sau đó thả ra ngay.

Hướng Dẫn Sử Dụng

Hiệu quả tốt nhất của việc gia công mài là khi dụng cụ mài di chuyển qua lại một cách đồng đều với một lực áp máy nhẹ. Áp lực quá mạnh làm giảm hiệu suất của máy và làm cho dụng cụ mài bị mòn nhanh hơn.

Bảo Dưỡng và Bảo Quản

Bảo Dưỡng Và Làm Sạch

- ▶ **Trước khi tiến hành bất cứ việc gì trên máy, kéo phích cắm điện nguồn ra.**
- ▶ **Để được an toàn và máy hoạt động đúng chức năng, luôn luôn giữ máy và các khe thông gió được sạch.**
- ▶ **Trong điều kiện giới hạn tuyệt đối, luôn luôn sử dụng máy hút bụi trong khả năng có thể. Thổi sạch các khe thông gió thường xuyên và lắp đặt thiết bị ngắt mạch tự động (RCD).** Khi gia công kim loại, các loại mạt bụi dẫn điện có thể lọt vào trong dụng cụ điện. Toàn bộ sự cách điện của dụng cụ điện có thể bị mất tác dụng.

Xin vui lòng bảo quản và giữ gìn tay nắm và phụ tùng cẩn thận.

Nếu như cần phải thay dây dẫn điện thì công việc này phải do hãng Bosch, hay một đại lý được Bosch ủy nhiệm thực hiện để tránh gặp sự nguy hiểm do mất an toàn.

Nếu giả như máy bị trục trặc dù đã được theo dõi cẩn thận trong quá trình sản xuất và đã qua chạy kiểm tra, sự sửa chữa phải do trung tâm bảo hành-bảo trì dụng cụ điện cầm tay Bosch thực hiện.

Trong mọi thư từ giao dịch và đơn đặt hàng phụ tùng, xin vui lòng luôn viết đủ 10 con số đã được ghi trên nhãn máy.

Dịch vụ hỗ trợ khách hàng và bảo hành-bảo trì

Bộ phận phục vụ hàng sau khi bán của chúng tôi trả lời các câu hỏi liên quan đến việc bảo dưỡng và sửa chữa các sản phẩm cũng như phụ tùng thay thế của bạn. Sơ đồ mô tả và thông tin về phụ tùng thay thế cũng có thể tra cứu theo dưới đây:

www.bosch-pt.com

Các nhân viên tư vấn khách hàng của chúng tôi trả lời các câu hỏi của bạn liên quan đến việc mua sản phẩm nào là tốt nhất, cách ứng dụng và điều chỉnh sản phẩm và các phụ kiện.



Việt Nam

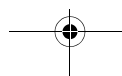
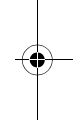
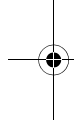
Công ty Trách Nhiệm Hữu Hạn Robert Bosch
Việt Nam, PT/SVN
Tầng 10,194 Golden Building
473 Điện Biên Phủ
Phường 25, Quận Bình Thạnh
Thành Phố Hồ Chí Minh
Việt Nam
Tel.: +84 (8) 6258 3690 Ext 413
Fax: +84 (8) 6258 3692
hieu.lagia@vn.bosch.com
www.bosch-pt.com

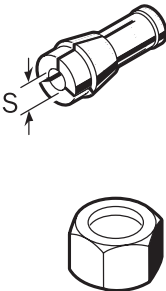
Thải bỏ

Máy, linh kiện và bao bì phải được phân loại để tái chế theo hướng thân thiện với môi trường.

Không được thải bỏ dụng cụ điện vào chung với rác sinh hoạt!

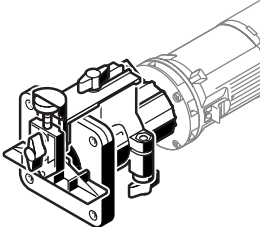
Được quyền thay đổi nội dung mà không phải thông báo trước.






S

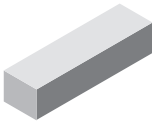
3 mm	2 608 570 008
6 mm	2 608 570 047
1/4"	2 608 570 048
8 mm	2 608 570 049



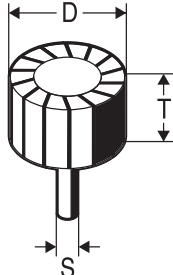
PKF 25:
2 607 020 301 (GGS 5000)




M 15	2 603 312 006
------	---------------



	1 607 929 000
--	---------------

	S	D	T	min⁻¹	
	6 mm	15 mm	30 mm	36 000	2 608 620 034



blueMetal
1 609 2

