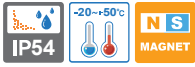


# SK series

## Streamlined Bulb/ LED Revolving Warning Lights



SK/ SKH



SKM/ SKMH



A spare bulb inside the SK series allows for immediate bulb replacement when damaged.

### Ordering Specification

<b>SKMH</b>	-	<b>24</b>	-	<b>R</b>
[Model number]		[Voltage]		[Color]
• SK		• 12-DC12V		• R-Red
• SKH		• 24-DC24V		• A-Amber
• SKM				• G-Green
• SKMH				• B-Blue

### Common Specifications(SK/ SKM/ SKMP/ SKMPLR)

- Adopts a special power transmission system that reduces noise and wear
- Metal body structure inside the cover gives the product a stylish look
- Contains a spare bulb inside the product
- Materials : Lens-PC, Housing-PC, Reflector-PC/STS
- Revolving speed : 120-140RPM
- Ambient operating temperature : -20°C to +50°C
- Protection rating : IP54

### SK/ SKH Streamlined Bulb Revolving Warning Lights

- SKH : Features super-bright high intensity with 35W halogen bulb

Model number	Voltage	Current	Bulb			Certificates	Weight	Color
			Spec	Standard	Parts no			
SK	DC12V	1.544A	12V15W	G23 15S	17		0.54kg	• R-Red • A-Amber • G-Green • B-Blue
	DC24V	0.766A	24V15W	G23 15S	18			
SKH	DC12V	3.077A	12V35W	15S halogen	39		0.54kg	
	DC24V	1.544A	24V35W	15S halogen	40			

### Wiring Instructions

- External power line standard : UL1015 AWG18(0.75sq)×2C 400mm
- DC Type : Black output lines is negative(-)

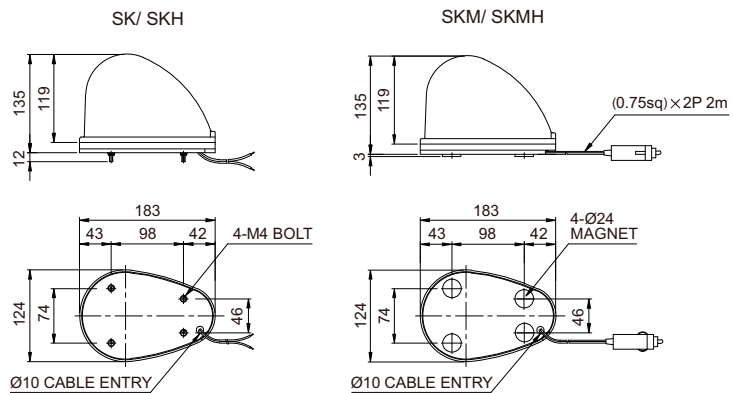
### SKM/ SKMH Streamlined Bulb Revolving Warning Lights with Magnet

- Securely attached to the vehicle's surface by 4 strong magnets
- SKMH : Features a super-bright high intensity 35W halogen bulb

Model number	Voltage	Current	Bulb			Certificates	Weight	Color
			Spec	Standard	Parts no			
SKM	DC12V	1.544A	12V15W	G23 15S	17		0.58kg	• R-Red • A-Amber • G-Green • B-Blue
	DC24V	0.766A	24V15W	G23 15S	18			
SKMH	DC12V	3.077A	12V35W	15S halogen	39		0.59kg	
	DC24V	1.544A	24V35W	15S halogen	40			

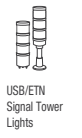
### Technical Diagram

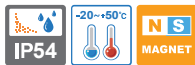
(Units : mm)



### Wiring Instructions

- Cigarette lighter plug, IEC42(0.75sq)×2P 2m





### Revolving warning lights with detachable rubber magnet for emergency response vehicles



SKMP/ SKMPH



SKMPLR



Special rubber magnet adheres securely to the vehicle's surface without damaging it!

SKMP, SKMPH, SKMPLR has a large-sized rubber magnet to prevent potential damage on the vehicle's surface. The special rubber magnet adheres securely to the vehicle and it does not detached from sudden deceleration and road impacts.



### SKMP/ SKMPH Streamlined Bulb Revolving Warning Lights

- Exceptional attachment to vehicles which operate in shock and vibration environments. The rubber magnet securely attaches along the curved surfaces of the vehicle
- Detachable rubber magnet equipped to prevent potential scratches in vehicle's surface
- Contains a spare bulb inside the product
- Easy power connection with cigarette lighter plug equipped
- DC(12V, 24V) only

Model number	Voltage	Current	Bulb			Certificates	Weight	Color
			Spec	Standard	Parts no			
SKMP	DC12V	1.544A	12V15W	G23 15S	17	-	0.78kg	● R-Red
	DC24V	0.766A	24V15W	G23 15S	18		0.78kg	● A-Amber
SKMPH	DC12V	3.077A	12V35W	15S halogen	39		0.78kg	● G-Green
	DC24V	1.544A	24V35W	15S halogen	40		0.78kg	● B-Blue



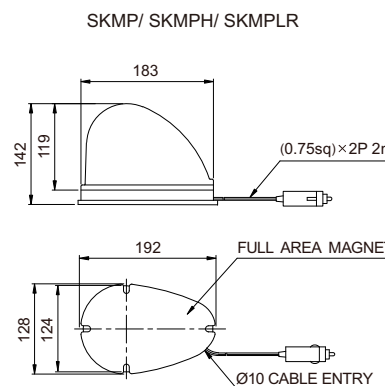
### SKMPLR Streamlined LED Revolving Warning Light

Model number	Voltage	Current	Certificates	Weight	Color
SKMPLR	DC12V	0.422A	-	0.63kg	● R-Red
	DC24V	0.266A		0.63kg	● A-Amber
					● G-Green
					● B-Blue



### Technical Diagram

(Units : mm)



### Wiring Instructions

- Cigarette lighter plug, IEC42(0.75sq)×2P 2m



### Customization

- Oval-shaped rubber magnet

Oval-shaped rubber magnet



### Ordering Specification

<b>SKMP</b>	-	<b>24</b>	-	<b>R</b>
[Model number]		[Voltage]		[Color]
<ul style="list-style-type: none"> <li>• SKMP</li> <li>• SKMPH</li> <li>• SKMPLR</li> </ul>		<ul style="list-style-type: none"> <li>• 12-DC12V</li> <li>• 24-DC24V</li> </ul>		<ul style="list-style-type: none"> <li>● R-Red</li> <li>● A-Amber</li> <li>● G-Green</li> <li>● B-Blue</li> </ul>