

Unit: mm

Code	Range	Graduation	Accuracy	Type
2365-10	0-10mm	0.01mm	±0.02mm	A
2365-20	0-20mm	0.01mm	±0.03mm	A
2365-10B	0-10mm	0.01mm	±0.02mm	B
2365-20B	0-20mm	0.01mm	±0.03mm	B

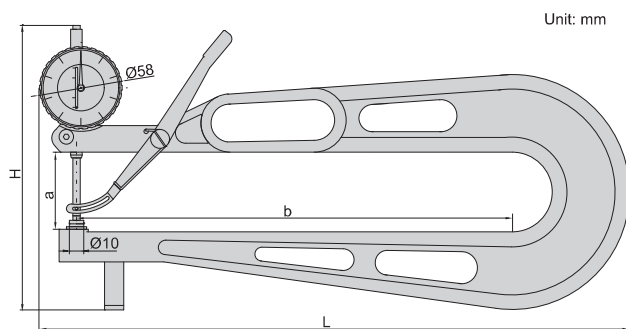
measuring tips and anvils can be custom-made



THICKNESS GAGES



2365-10



Unit: mm

Code	Range	Graduation	Accuracy	L	H	a	b
2875-30	0-30mm	0.1mm	±0.05mm	400mm	195mm	55mm	300mm
2875-50	0-50mm	0.1mm	±0.05mm	700mm	295mm	75mm	600mm

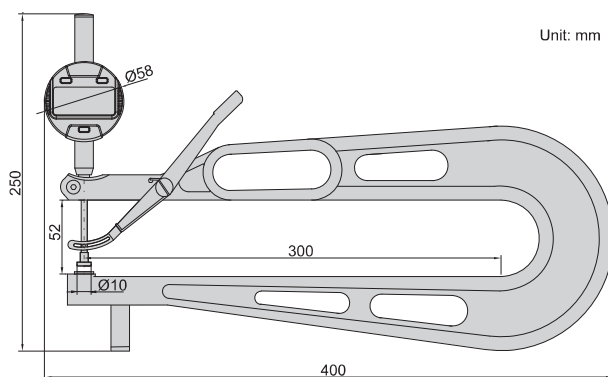
THICKNESS GAGES

INSIZE PLUS
MADE IN EUROPE



2875-30

INSPECTION CERTIFICATE



Unit: mm

Code	Range	Resolution	Accuracy
2860-25*	0-25.4mm/0-1"	0.01mm/0.0005"	±0.05mm

*Supplied with manufacturer inspection certificate

DIGITAL THICKNESS GAGE

INSIZE PLUS
MADE IN EUROPE



2860-25

- Buttons: on/off, zero, mm/inch
- Battery CR2032, automatic power off
- Data output
- Optional accessory: data output cable (code 7315-50M, 7302-50M)