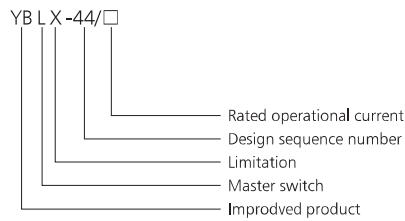
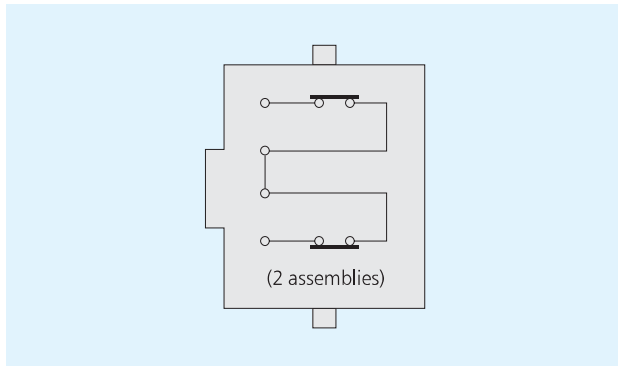




### YBLX-44 Breaking Limitor

Contacting types



Protection degree	IP42
Rated operational voltage	AC 380V DC220V
Environmental temperature	-25°C ~ +40°C
Relative humidity	≤85%
Altitude	≤1500m
Application range	CD1, MD1 type of 0.5~10 ton normally apply on cable type electric block to realize limitation protection of lifting & falling movement, and can direct break the main circuit.

Model	Rated operational current	Max. Power of controllable motor	OT	Allowable OT	OP
YBLX-44/3	3A	1.5kW	≤8mm	≥1mm	≤15N
YBLX-44/10	10A	4.5kW	6~8mm	≤3mm	≤30N
YBLX-44/20	20A	7.5kW	8~10mm	≤3mm	≤50N
YBLX-44/40	40A	13kW	12~14mm	≤3mm	≤100N

YBLX-44/10A, YBLX-D/10A,  
YBLX-Z1/10A, YBLX-101/10A

YBLX-44/20A, YBLX-D/20A,  
YBLX-Z1/20A, YBLX-101/20A

YBLX-44/40A, YBLX-D/40A, YBLX-Z1/40A, YBLX-101/40A

