

Direct Operated 2 Port Solenoid Valve **New**



Air



Medium vacuum



Water



Oil



Steam

* Can be used with heated water.



Large flow rate

Flow rate

20% More flow*

(Size 1)

Compact

Height

10% Smaller*

(Size 1)

Lightweight

Weight

30% Lighter*

(Size 1, Aluminum body)

* Comparison with SMC conventional model

Body material

Air
Aluminum, Resin

**Water/Oil/
Medium vacuum/Steam**
C37 (Brass),
Stainless steel

With one-touch fittings
(Resin body)



Bracket
Standard
equipment

Conventional model **New VX**



Enclosure

IP65*

* Electrical entry "Faston" type terminal is IP40.

Power consumption

4.5 W (Size 1)

7 W (Size 2)

10.5 W (Size 3)

(DC/N.C. valve)

Manifold

Material

- Body/PPS
- Base/Aluminum
- Seal/NBR, FKM

Solenoid coil type

- Insulation type Class B/H
- Fluid temperature Class B/Max. 60°C
- Class H/Max. 183°C

Valve type

N.C. **N.O.**

Series VX21/22/23

Direct Operated 2 Port Solenoid Valve



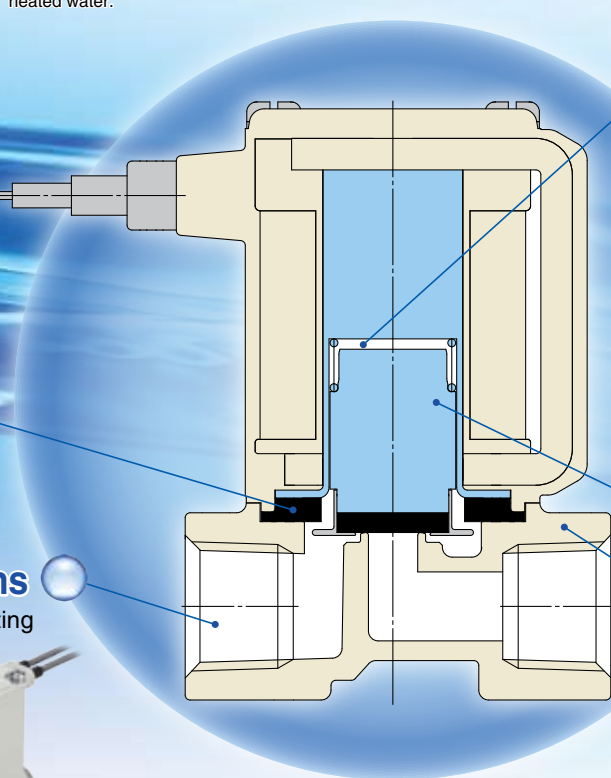
Air Medium vacuum Water Oil Steam
* Can be used with heated water.

Enclosure IP65

Flame resistance UL94V-0 conformed

Low-noise construction
Metal noise reduced by the rubber bumper

Piping variations
Thread piping, One-touch fitting



Clearance

By providing a bumper and clearance, we reduced the collision sound of the core when ON (when the valve is open). Because of the clearance, when using highly viscous fluids such as oil, the armature does not get stuck and the responsiveness when OFF (when the valve is closed) is improved.

Power consumption

* DC/Class B, N.C. valve

4.5 W (Size 1)

7 W (Size 2)

10.5 W (Size 3)

Improved armature durability

Body material

Air Aluminum, Resin

Water/Oil/Medium vacuum/Steam C37 (Brass), Stainless steel

Full-wave rectifier type (AC specification: Insulation type Class B/H)

Improved durability

Service life is extended by the special construction. (compared with current shading coil)

Reduced buzz noise

Rectified to DC by the full-wave rectifier, resulting in a buzz noise reduction.

Reduced apparent power * Class B, N.C. valve

10 VA → **7 VA** (Size 1) 20 VA → **9.5 VA** (Size 2)

32 VA → **12 VA** (Size 3)

Improved OFF response

Specially constructed to improve the OFF response when operated with a higher viscosity fluid such as oil.

Low-noise construction

Specially constructed to reduce the metal noise during operation.



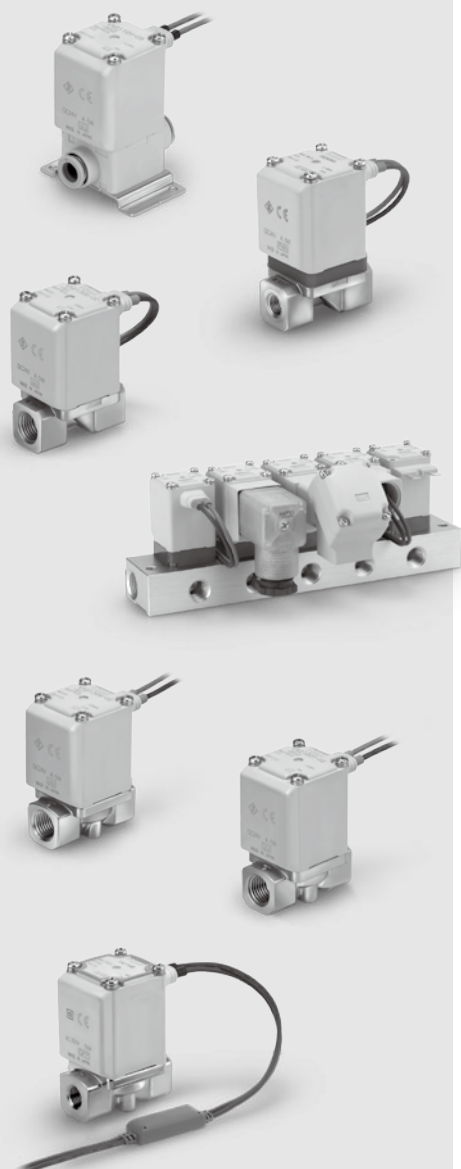
Size	Orifice diameter							Port size
	2 mmø	3 mmø	4 mmø	5 mmø	7 mmø	8 mmø	10 mmø (Note)	
Size 1	●	●	—	●	—	—	—	1/8, 1/4 One-touch fitting: ø6, ø8
Size 2	—	—	●	—	●	—	—	1/4, 3/8 One-touch fitting: ø8, ø10
Size 3	—	—	—	●	—	●	●	1/4, 3/8, 1/2 One-touch fitting: ø10, ø12

Note) N.C. only

INDEX

Direct Operated 2 Port Solenoid Valve

Series **VX21/22/23**



Single Unit/Manifold: Specifications.....	2
Common Specifications	3
Selection Steps	4



For Air

Model/Valve Specifications, Fluid and Ambient Temperature, Valve Leakage ...	5, 6
How to Order (Single Unit).....	7
Model/Valve Specifications, Fluid and Ambient Temperature, Valve Leakage.....	8
How to Order (Solenoid Valve for Manifold, Manifold Base), Blanking Plate Assembly Part No., How to Order Manifold Assembly (Example)...	9



For Medium Vacuum

Model/Valve Specifications, Fluid and Ambient Temperature, Valve Leakage ...	10
How to Order (Single Unit).....	11
Model/Valve Specifications, Fluid and Ambient Temperature, Valve Leakage...	12
How to Order (Solenoid Valve for Manifold, Manifold Base), Blanking Plate Assembly Part No., How to Order Manifold Assembly (Example) ...	13



For Water

Model/Valve Specifications, Fluid and Ambient Temperature, Valve Leakage ...	14
How to Order (Single Unit).....	15



For Oil

Model/Valve Specifications, Fluid and Ambient Temperature, Valve Leakage ...	16
How to Order (Single Unit).....	17



For Steam * Can be used with heated water.

Model/Valve Specifications, Fluid and Ambient Temperature, Valve Leakage ...	18
How to Order (Single Unit).....	19

Other Special Options.....	20
----------------------------	----

Construction

Single Unit.....	21
Manifold.....	22

Dimensions (Single Unit) Body material: Aluminum	23
Body material: Resin	24
Body material: C37, Stainless steel ..	26
(Manifold) Base material: Aluminum	29

Replacement Parts.....	30
------------------------	----

Glossary of Terms	31
-------------------------	----

Solenoid Valve Flow-rate Characteristics	32
--	----

Flow-rate Characteristics	37
---------------------------------	----

Specific Product Precautions	39
------------------------------------	----

Specifications

For Air

For Medium Vacuum

For Water

For Oil

For Steam

Construction

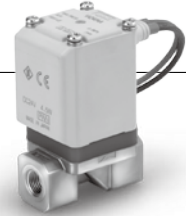
Dimensions

Direct Operated 2 Port Solenoid Valve

Series VX21/22/23

For Air, Medium Vacuum, Water, Oil and Steam

Single Unit (For Air, Medium Vacuum, Water, Oil and Steam)



Valve type

Normally Closed (N.C.)
Normally Open (N.O.)

Solenoid coil type

Insulation type: Class B, Class H

Rated voltage

100 V/200 V/110 V/230 VAC
(220 V/240 V/48 V/24 VAC)
24 V/12 VDC

Voltage in () indicates special voltage.

Material

Body — Aluminum, Resin, C37 (Brass), Stainless steel
Seal — NBR, FKM*

* Refer to individual pages for details of each fluid.

Electrical entry

- Grommet
- Conduit
- DIN terminal
- Conduit terminal
- Faston terminal

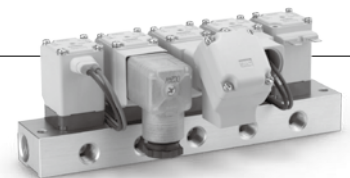
Normally Closed (N.C.)

Normally Open (N.O.)

Size		Size 1	Size 2	Size 3
Orifice diameter	2 mmø	●	—	—
	3 mmø	●	—	—
	4 mmø	—	●	—
	5 mmø	●	—	●
	7 mmø	—	●	—
	8 mmø	—	—	●
	10 mmø	—	—	●*
Port size		1/8, 1/4 ø6, ø8	1/4, 3/8 ø8, ø10	1/4, 3/8, 1/2 ø10, ø12

* N.C. only

Manifold (For Air, Medium Vacuum)



Valve type

Normally Closed (N.C.)
Normally Open (N.O.)

Manifold type

Common SUP type
Individual SUP type

Solenoid coil type

Insulation type: Class B

Rated voltage

100 V/200 V/110 V/230 VAC
(220 V/240 V/48 V/24 VAC)
24 V/12 VDC

Voltage in () indicates special voltage.

Material

Body — Resin
Base — Aluminum
Seal — NBR, FKM

Electrical entry

- Grommet
- Conduit
- DIN terminal
- Conduit terminal
- Faston terminal

Manifold

Size		Size 1	Size 2	Size 3
Orifice diameter	2 mmø	●	—	—
	3 mmø	●	—	—
	4 mmø	—	●	—
	5 mmø	●	—	●
	7 mmø	—	●	●
Port size	Common SUP type (Air)	IN	3/8	
		OUT	1/8, 1/4	
	Individual SUP type (Medium vacuum)	IN	1/8, 1/4	
		OUT	3/8	

Series VX21/22/23

Common Specifications

Standard Specifications

Valve specifications	Valve construction		Direct operated poppet
	Withstand pressure		2.0 MPa (Resin body type 1.5 MPa)
	Body material		Aluminum, Resin, C37 (Brass), Stainless steel
	Seal material ^{Note 3)}		NBR, FKM
	Enclosure		Dust-tight, Water-jet-proof type (IP65) ^{Note 1)}
	Environment		Location without corrosive or explosive gases
Coil specifications	Rated voltage	AC	100 VAC, 200 VAC, 110 VAC, 230 VAC, (220 VAC, 240 VAC, 48 VAC, 24 VAC) ^{Note 2)}
		DC	24 VDC, (12 VDC) ^{Note 2)}
	Allowable voltage fluctuation		±10% of rated voltage
	Allowable leakage voltage	AC	10% or less of rated voltage
		DC	2% or less of rated voltage
	Coil insulation type		Class B, Class H

Note 1) Electrical entry "Faston" type terminal is IP40.

Note 2) Voltage in () indicates special voltage. (Refer to page 20.)

Note 3) For seal material/EPDM, please contact SMC.

⚠ Be sure to read "Specific Product Precautions" before handling.

Solenoid Coil Specifications

Normally Closed (N.C.)

DC Specification

Size	Power consumption (W) ^{Note 1)}	Temperature rise (°C) ^{Note 2)}
Size 1	4.5	50
Size 2	7	55
Size 3	10.5	65

Note 1) Power consumption, Apparent power: The value at ambient temperature of 20°C and when the rated voltage is applied. (Variation: ±10%)

Note 2) The value at ambient temperature of 20°C and when the rated voltage is applied. The value depends on the ambient environment. This is for reference.

AC Specification (Built-in Full-wave Rectifier Type)

Class B

Size	Apparent power (VA) ^{Note 1) 2)}	Temperature rise (°C) ^{Note 3)}
Size 1	7	60
Size 2	9.5	70
Size 3	12	70

Class H

Size	Apparent power (VA) ^{Note 1) 2)}	Temperature rise (°C) ^{Note 3)}
Size 1	9	100
Size 2	12	100
Size 3	15	100

Note 1) Power consumption, Apparent power: The value at ambient temperature of 20°C and when the rated voltage is applied. (Variation: ±10%)

Note 2) There is no difference in the frequency and the inrush and energized apparent power, since a rectifying circuit is used in the AC.

Note 3) The value at ambient temperature of 20°C and when the rated voltage is applied. The value depends on the ambient environment. This is for reference.

Normally Open (N.O.)

DC Specification

Size	Power consumption (W) ^{Note 1)}	Temperature rise (°C) ^{Note 2)}
Size 1	7.5	60
Size 2	8.5	70
Size 3	12.5	70

Note 1) Power consumption, Apparent power: The value at ambient temperature of 20°C and when the rated voltage is applied. (Variation: ±10%)

Note 2) The value at ambient temperature of 20°C and when the rated voltage is applied. The value depends on the ambient environment. This is for reference.

AC Specification (Built-in Full-wave Rectifier Type)

Class B

Size	Apparent power (VA) ^{Note 1) 2)}	Temperature rise (°C) ^{Note 3)}
Size 1	9	60
Size 2	10	70
Size 3	14	70

Class H

Size	Apparent power (VA) ^{Note 1) 2)}	Temperature rise (°C) ^{Note 3)}
Size 1	9	100
Size 2	12	100
Size 3	15	100

Note 1) Power consumption, Apparent power: The value at ambient temperature of 20°C and when the rated voltage is applied. (Variation: ±10%)

Note 2) There is no difference in the frequency and the inrush and energized apparent power, since a rectifying circuit is used in the AC.

Note 3) The value at ambient temperature of 20°C and when the rated voltage is applied. The value depends on the ambient environment. This is for reference.

Specifications

For Air

For Medium Vacuum

For Water

For Oil

For Steam

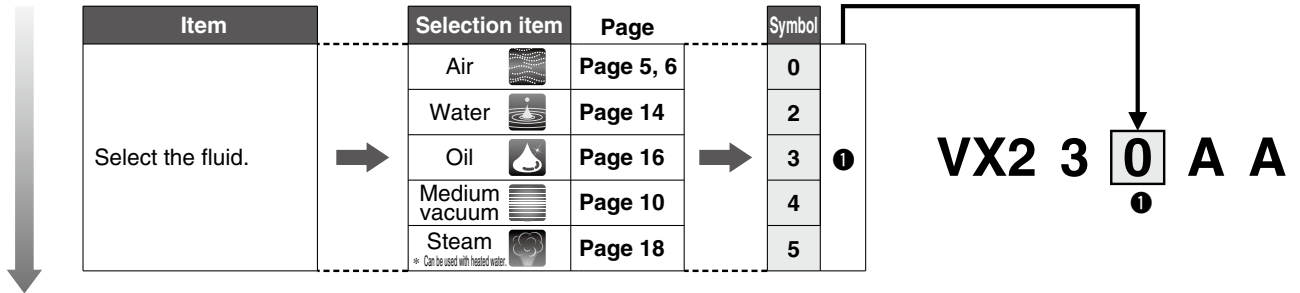
Construction

Dimensions

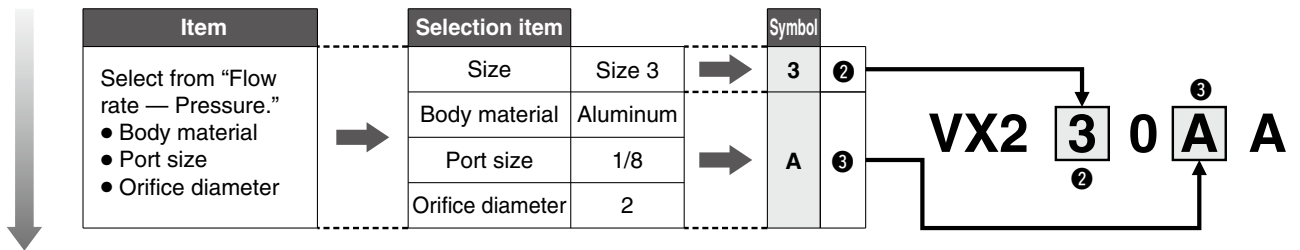
Series VX21/22/23 Selection Steps

Selection Steps

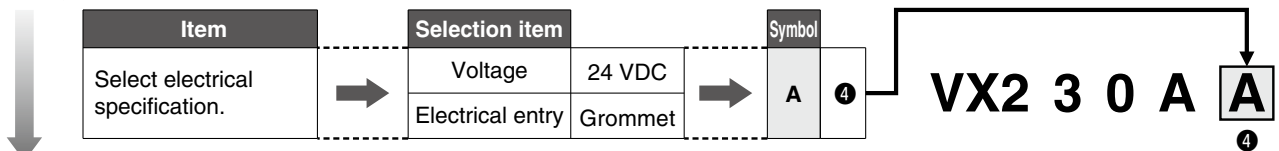
Step 1 Select the fluid.



Step 2 Select "Body material", "Port size" and "Orifice diameter" from "Flow rate — Pressure" of each fluid.



Step 3 Select electrical specification.



Step 4 For other special options, refer to page 20.



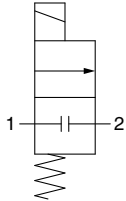
For Air Single Unit

Specifications

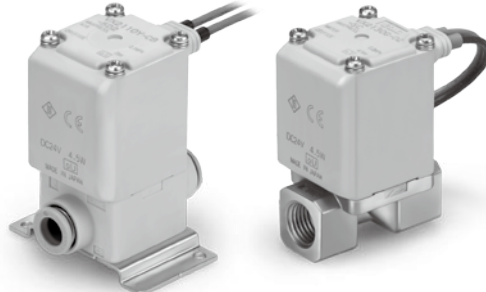
Model/Valve Specifications

N.C.

Passage symbol



Refer to "Glossary of Terms" on page 31 for passage symbols.



For Air

For Medium Vacuum

Aluminum Body Type

Size	Port size	Orifice diameter (mmø)	Model	Flow-rate characteristics			Maximum operating pressure differential (MPa)	Weight (g) ^{Note)}
				C [dm ³ /(s·bar)]	b	Cv		
1	1/8, 1/4	2	VX210	0.63	0.63	0.23	1.0	220
		3		1.05	0.68	0.41	0.6	220
		5		2.20	0.39	0.62	0.2	220
2	1/4, 3/8	4	VX220	1.90	0.52	0.62	1.0	340
		7		3.99	0.44	1.08	0.15	340
3	1/4, 3/8	5	VX230	1.96	0.55	0.75	1.0	450
		8		5.67	0.33	1.58	0.3	450
		10		5.74	0.64	2.21	0.1	450
	1/2	10		8.42	0.39	2.21	0.1	470

For Water

For Oil

Resin Body Type (Built-in One-touch Fittings)

Size	Port size	Orifice diameter (mmø)	Model	Flow-rate characteristics			Maximum operating pressure differential (MPa)	Weight (g) ^{Note)}
				C [dm ³ /(s·bar)]	b	Cv		
1	ø6	2	VX210	0.82	0.44	0.23	1.0	220
		3		1.25	0.34	0.35	0.6	220
		5		1.45	0.43	0.40	0.2	220
	ø8	2		0.82	0.44	0.23	1.0	220
		3		1.81	0.40	0.41	0.6	220
		5		2.11	0.32	0.56	0.2	220
2	ø8	4	VX220	1.69	0.40	0.47	1.0	340
		7		3.14	0.34	0.84	0.15	340
	ø10	4		1.68	0.49	0.50	1.0	340
		7		3.54	0.36	0.90	0.15	340
3	ø10	5	VX230	2.50	0.44	0.70	1.0	460
		8		2.77	0.82	1.22	0.3	460
		10		5.69	0.46	1.54	0.1	460
	ø12	5		2.50	0.44	0.70	1.0	460
		8		2.56	0.88	1.38	0.3	460
		10		5.69	0.64	1.76	0.1	460

For Steam

Construction

Dimensions

Note) Weight of grommet type. Add 10 g for conduit type, 30 g for DIN terminal type, 60 g for conduit terminal type respectively.

• Refer to "Glossary of Terms" on page 31 for details on the maximum operating pressure differential.

Fluid and Ambient Temperature

Fluid temperature (°C)	Ambient temperature (°C)
-10 ^{Note)} to 60	-20 to 60

Note) Dew point temperature: -10°C or less

Valve Leakage

Internal Leakage

Seal material ^{Note2)}	Leakage rate (Air) ^{Note1)}
NBR (FKM)	1 cm ³ /min or less (Aluminum body type) 15 cm ³ /min or less (Resin body type)

External Leakage

Seal material ^{Note2)}	Leakage rate (Air) ^{Note1)}
NBR (FKM)	1 cm ³ /min or less (Aluminum body type) 15 cm ³ /min or less (Resin body type)

Note 1) Leakage is the value at ambient temperature 20°C.

Note 2) For seal material/FKM, refer to "Other options" on page 20 for the selection.

Series VX21/22/23

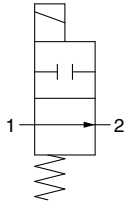


For Air Single Unit

Model/Valve Specifications

N.O.

Passage symbol



Refer to "Glossary of Terms" on page 31 for passage symbols.

Aluminum Body Type

Size	Port size	Orifice diameter (mmø)	Model	Flow-rate characteristics			Maximum operating pressure differential (MPa)	Weight (g) ^{Note)}
				C [dm ³ /(s·bar)]	b	Cv		
1	1/8, 1/4	2	VX240	0.63	0.63	0.23	0.9	240
		3		1.05	0.68	0.41	0.45	240
		5		2.20	0.39	0.62	0.2	240
2	1/4, 3/8	4	VX250	1.90	0.52	0.62	0.8	370
		7		3.99	0.44	1.08	0.15	370
3	1/4, 3/8	5	VX260	1.96	0.55	0.75	0.8	490
		8		5.67	0.33	1.58	0.3	490

Resin Body Type (Built-in One-touch Fittings)

Size	Port size	Orifice diameter (mmø)	Model	Flow-rate characteristics			Maximum operating pressure differential (MPa)	Weight (g) ^{Note)}
				C [dm ³ /(s·bar)]	b	Cv		
1	ø6	2	VX240	0.82	0.44	0.23	0.9	240
		3		1.25	0.34	0.35	0.45	240
		5		1.45	0.43	0.40	0.2	240
	ø8	2		0.82	0.44	0.23	0.9	240
		3		1.81	0.40	0.41	0.45	240
		5		2.11	0.32	0.56	0.2	240
2	ø8	4	VX250	1.69	0.40	0.47	0.8	370
		7		3.14	0.34	0.84	0.15	370
	ø10	4		1.68	0.49	0.50	0.8	370
		7		3.54	0.36	0.90	0.15	370
3	ø10	5	VX260	2.50	0.44	0.70	0.8	500
		8		2.77	0.82	1.22	0.3	500
	ø12	5		2.50	0.42	0.70	0.8	500
		8		2.56	0.88	1.38	0.3	500

Note) Weight of grommet type. Add 10 g for conduit type, 30 g for DIN terminal type, 60 g for conduit terminal type respectively.

• Refer to "Glossary of Terms" on page 31 for details on the maximum operating pressure differential.

Fluid and Ambient Temperature

Fluid temperature (°C)	Ambient temperature (°C)
-10 ^{Note)} to 60	-20 to 60

Note) Dew point temperature: -10°C or less

Valve Leakage

Internal Leakage

Seal material ^{Note2)}	Leakage rate (Air) ^{Note1)}
NBR (FKM)	1 cm ³ /min or less (Aluminum body type)
	15 cm ³ /min or less (Resin body type)

External Leakage

Seal material ^{Note2)}	Leakage rate (Air) ^{Note1)}
NBR (FKM)	1 cm ³ /min or less (Aluminum body type)
	15 cm ³ /min or less (Resin body type)

Note 1) Leakage is the value at ambient temperature 20°C.

Note 2) For seal material/FKM, refer to "Other options" on page 20 for the selection.

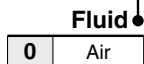
Direct Operated 2 Port Solenoid Valve **Series VX21/22/23**

For Air Single Unit



How to Order (Single Unit)

VX2 1 0 A A



Common Specifications

Seal material	NBR
Coil insulation type	Class B
Thread type	Rc*

* One-touch fittings are attached to the resin body type.

Specifications

For Air

For Medium Vacuum

For Water

For Oil

For Steam

Construction

Dimensions

Coil size/Valve type

Size	Symbol	Valve type
Size 1	1	N.C.
	4	N.O.

Size 2	2	N.C.
	5	N.O.

Size 3	3	N.C.
	6	N.O.

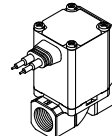
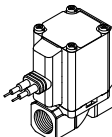
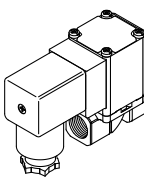
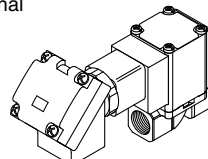
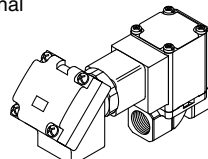
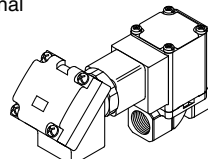
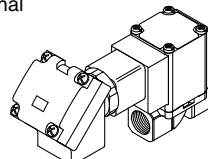
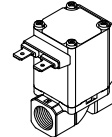
Body material/Port size/Orifice diameter

Symbol	Body material	Port size	Orifice diameter
A	Aluminum	1/8	2
B			3
C			5
D			2
E	1/4	1/4	3
F			5
H			2
J	Resin	ø6	3
K			5
L			2
M	ø8	ø8	3
N			5

A	Aluminum	1/4	4
B			7
D			4
E			7
H	Resin	ø8	4
J			7
L			4
M	ø10	ø10	4
N			7

A	Aluminum	1/4	5
B			8
C			10 (N.C. only)
D			5
E	3/8	3/8	8
F			10 (N.C. only)
G			10 (N.C. only)
H	1/2	1/2	10 (N.C. only)
J			5
K			8
L	Resin	ø10	10 (N.C. only)
M			5
N			8
	ø12	ø12	10 (N.C. only)
			5
			8
			10 (N.C. only)

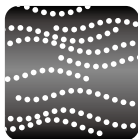
Voltage/Electrical entry

Symbol	Voltage	Electrical entry
A	24 VDC	Grommet 
B	100 VAC	Grommet (With surge voltage suppressor) 
C	110 VAC	
D	200 VAC	
E	230 VAC	DIN terminal (With surge voltage suppressor) 
F	24 VDC	
G	24 VDC	
H	100 VAC	
J	110 VAC	Conduit terminal (With surge voltage suppressor) 
K	200 VAC	
L	230 VAC	
M	24 VDC	Conduit terminal (With surge voltage suppressor) 
N	100 VAC	
P	110 VAC	
Q	200 VAC	Conduit terminal (With surge voltage suppressor) 
R	230 VAC	
S	24 VDC	
T	100 VAC	Conduit terminal (With surge voltage suppressor) 
U	110 VAC	
V	200 VAC	
W	230 VAC	Faston terminal 
Y	24 VDC	
Z	Other voltages	

For other special options, refer to page 20.

Special voltage	24 VAC
	48 VAC
	220 VAC
	240 VAC
	12 VDC
DIN terminal with light	
Conduit terminal with light	
Without DIN connector	
Low concentration ozone resistant (Seal material: FKM)	
Oil-free	
G thread	
NPT thread	

Series VX21/22/23



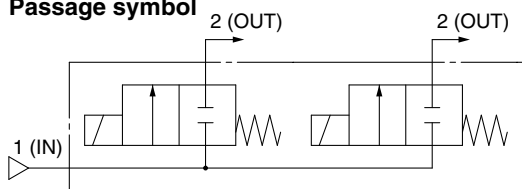
For Air Manifold

* For the fluid other than air and medium vacuum, please contact SMC.

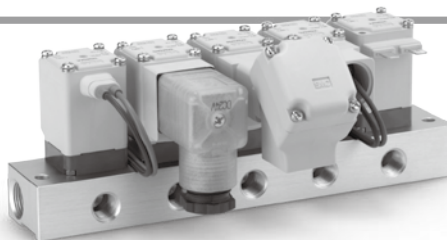
Model/Valve Specifications

N.C.

Passage symbol

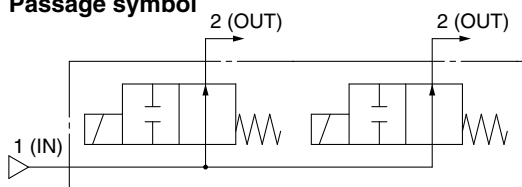


Common SUP type



N.O.

Passage symbol



Common SUP type

Refer to "Glossary of Terms" on page 31 for passage symbols.

Normally Closed (N.C.)

Size	Orifice diameter (mmø)	Model	Flow-rate characteristics			Maximum operating pressure differential (MPa)
			C [dm ³ /(s·bar)]	b	Cv	
1	2	VX2A0	0.63	0.63	0.23	1.0
	3		1.05	0.68	0.41	0.6
	5		2.20	0.39	0.62	0.2
2	4	VX2B0	1.90	0.52	0.62	1.0
	7		3.99	0.44	1.08	0.15
3	5	VX2C0	1.96	0.55	0.75	1.0
	7		3.99	0.44	1.08	0.3

Normally Open (N.O.)

Size	Orifice diameter (mmø)	Model	Flow-rate characteristics			Maximum operating pressure differential (MPa)
			C [dm ³ /(s·bar)]	b	Cv	
1	2	VX2D0	0.63	0.63	0.23	0.9
	3		1.05	0.68	0.41	0.45
	5		2.20	0.39	0.62	0.2
2	4	VX2E0	1.90	0.52	0.62	0.8
	7		3.99	0.44	1.08	0.15
3	5	VX2F0	1.96	0.55	0.75	0.8
	7		3.99	0.44	1.08	0.3

Fluid and Ambient Temperature

Fluid temperature (°C)	Ambient temperature (°C)
-10 ^{Note 1} to 60	-20 to 60

Note) Dew point temperature: -10°C or less

Valve Leakage

Internal Leakage

Seal material ^{Note 2)}	Leakage rate ^{Note 1)}
NBR (FKM)	1 cm ³ /min or less

External Leakage

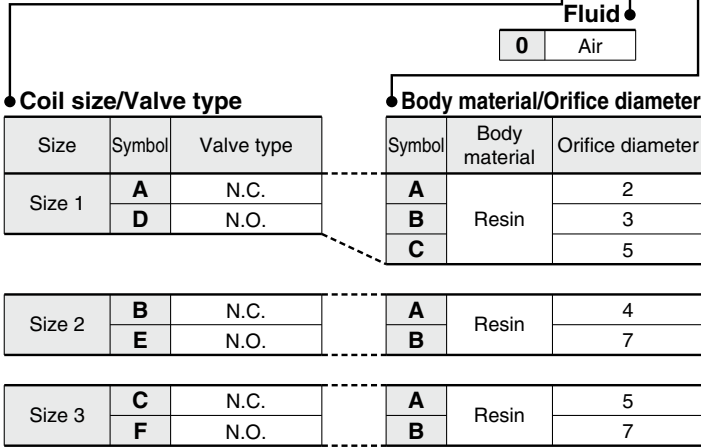
Seal material ^{Note 2)}	Leakage rate ^{Note 1)}
NBR (FKM)	1 cm ³ /min or less

Note 1) Leakage is the value at ambient temperature 20°C.

Note 2) For seal material/FKM, refer to "Other options" on page 20 for the selection.

How to Order (Solenoid Valve for Manifold)

VX2 A 0 A A



Common Specifications

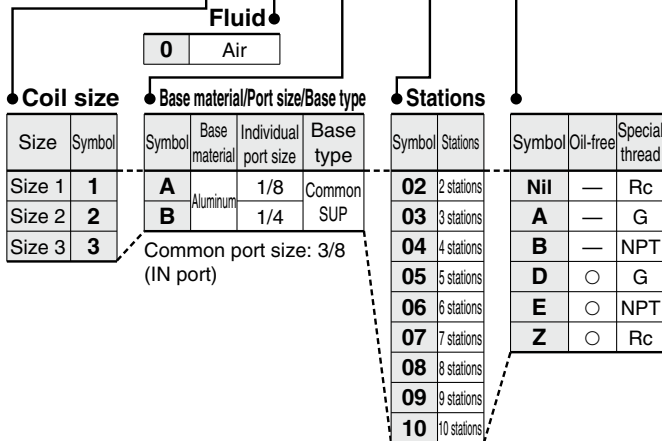
Seal material	NBR
Coil insulation type	Class B

For other special options, refer to page 20.

Special voltage	24 VAC
	48 VAC
	220 VAC
	240 VAC
	12 VDC
DIN terminal with light	
Conduit terminal with light	
Without DIN connector	
Low concentration ozone resistant (Seal material: FKM)	
Oil-free	

Manifold Base/How to Order

VVX2 1 0 A 02



Blanking Plate Assembly Part No.

- For size 1 **VVX021S - 4A - N**
- For size 2 **VVX022S - 4A - N**
- For size 3 **VVX023S - 4A - N**

When mounting a blanking plate assembly, if the solenoid valve for the manifold is ozone resistant, (Seal material: FKM), please select FKM.

Seal material

N	NBR
F	FKM

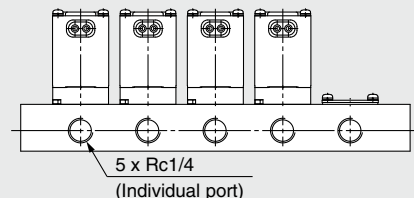
Dimensions → Page 29

How to Order Manifold Assembly (Example)

Enter the valve and blanking plate to be mounted under the manifold base part number.

<Example>

VVX210B05.....1
 *VX2A0AA4
 *VVX021S-4A-N1
 ↳ “*” is the symbol for mounting.
 Add an “*” in front of the part numbers for solenoid valves, etc. to be mounted.



Enter the product's part number in order, counting the 1st station from the D side (left in the manifold arrangement, when viewing the individual port in front).

Specifications

For Air

For Medium Vacuum

For Water

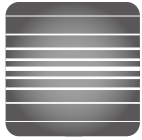
For Oil

For Steam

Construction

Dimensions

Series VX21/22/23

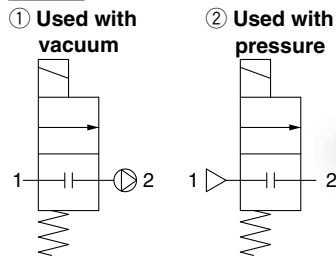


For Medium Vacuum Single Unit

Model/Valve Specifications

Passage symbol (Application example)

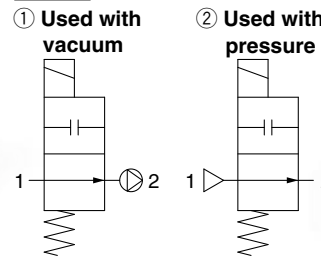
N.C.



Refer to "Glossary of Terms" on page 31 for passage symbols.

Passage symbol (Application example)

N.O.



Refer to "Glossary of Terms" on page 31 for passage symbols.

Normally Closed (N.C.)

Size	Port size	Orifice diameter (mmø)	Model	Flow-rate characteristics			Operating pressure range		Weight (g) ^{Note)}
				C [dm ³ /(s·bar)]	b	Cv	① Used with vacuum (Pa-abs)	② Used with pressure (MPa·G)	
1	1/8, 1/4	2	VX214	0.63	0.63	0.23	0.1 to atmospheric pressure	0 to 1.0	300
		3		1.05	0.68	0.41		0 to 0.6	300
		5		2.20	0.39	0.62		0 to 0.2	300
2	1/4, 3/8	4	VX224	1.90	0.52	0.62		0 to 1.0	460
		7		3.99	0.44	1.08		0 to 0.15	460
3	1/4, 3/8	5	VX234	1.96	0.55	0.75		0 to 1.0	580
		8		5.67	0.33	1.58	0 to 0.3	580	
		10		5.74	0.64	2.21	0 to 0.1	580	
	1/2	10		8.42	0.39	2.21	0 to 0.1	630	

Normally Open (N.O.)

Size	Port size	Orifice diameter (mmø)	Model	Flow-rate characteristics			Operating pressure range		Weight (g) ^{Note)}
				C [dm ³ /(s·bar)]	b	Cv	① Used with vacuum (Pa-abs)	② Used with pressure (MPa·G)	
1	1/8, 1/4	2	VX244	0.63	0.63	0.23	0.1 to atmospheric pressure	0 to 0.9	320
		3		1.05	0.68	0.41		0 to 0.45	320
		5		2.20	0.39	0.62		0 to 0.2	320
2	1/4, 3/8	4	VX254	1.90	0.52	0.62		0 to 0.8	490
		7		3.99	0.44	1.08		0 to 0.15	490
3	1/4, 3/8	5	VX264	1.96	0.55	0.75		0 to 0.8	620
		8		5.67	0.33	1.58	0 to 0.3	620	

Note) Weight of grommet type. Add 10 g for conduit type, 30 g for DIN terminal type, 60 g for conduit terminal type respectively.

Fluid and Ambient Temperature

Fluid temperature (°C)	Ambient temperature (°C)
1 to 60 ^{Note)}	-20 to 60

Note) With no freezing

Valve Leakage

Internal Leakage

Seal material	Leakage rate ^{Note)}
FKM	10 ⁻⁶ Pa·m ³ /sec or less

External Leakage

Seal material	Leakage rate ^{Note)}
FKM	10 ⁻⁶ Pa·m ³ /sec or less

Note) Leakage (10⁻⁶ Pa·m³/sec) is the value at differential pressure 0.1 MPa and ambient temperature 20°C.



How to Order (Single Unit)

VX2 1 4 A A

Fluid ●

4 Medium vacuum

Common Specifications

Seal material	FKM
Coil insulation type	Class B
Thread type	Rc
Oil-free	
Non-leak	

Specifications

For Air

For Medium Vacuum

For Water

For Oil

For Steam

Construction

Dimensions

● **Coil size/Valve type**

Size	Symbol	Valve type
Size 1	1	N.C.
	4	N.O.

● **Body material/Port size/Orifice diameter**

Symbol	Body material	Port size	Orifice diameter
A	C37	1/8	2
B			3
C			5
D			2
E			3
F	Stainless steel	1/8	5
H			2
J			3
K			5
L			2
M	1/4	3	3
N			5

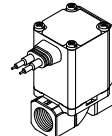
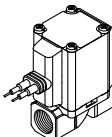
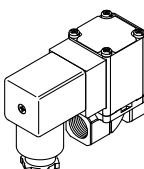
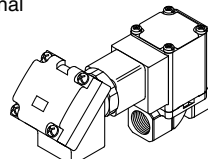
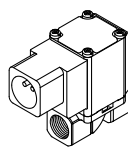
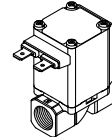
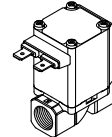
Size	Symbol	Valve type
Size 2	2	N.C.
	5	N.O.

Symbol	Body material	Port size	Orifice diameter
A	C37	1/4	4
B			7
D			4
E			7
H			4
J	Stainless steel	1/4	7
L			4
M			7

Size	Symbol	Valve type
Size 3	3	N.C.
	6	N.O.

Symbol	Body material	Port size	Orifice diameter	
A	C37	1/4	5	
B			8	
C			10 (N.C. only)	
D			5	
E			8	
F		10 (N.C. only)		
G		1/2	10 (N.C. only)	
H		Stainless steel	1/4	5
J				8
K				10 (N.C. only)
L	5			
M	8			
N	3/8	10 (N.C. only)	10 (N.C. only)	
P			1/2	10 (N.C. only)

● **Voltage/Electrical entry**

Symbol	Voltage	Electrical entry
A	24 VDC	Grommet 
B	100 VAC	Grommet (With surge voltage suppressor) 
C	110 VAC	
D	200 VAC	
E	230 VAC	
F	24 VDC	DIN terminal (With surge voltage suppressor) 
G	24 VDC	
H	100 VAC	
J	110 VAC	
K	200 VAC	
L	230 VAC	Conduit terminal (With surge voltage suppressor) 
M	24 VDC	
N	100 VAC	
P	110 VAC	
Q	200 VAC	Conduit (With surge voltage suppressor) 
R	230 VAC	
S	24 VDC	
T	100 VAC	Faston terminal 
U	110 VAC	
V	200 VAC	
W	230 VAC	Faston terminal 
Y	24 VDC	
Z	Other voltages	

For other special options, refer to page 20.

Special voltage	24 VAC
	48 VAC
	220 VAC
	240 VAC
	12 VDC
DIN terminal with light	
Conduit terminal with light	
Without DIN connector	
G thread	
NPT thread	
With bracket	

Series VX21/22/23



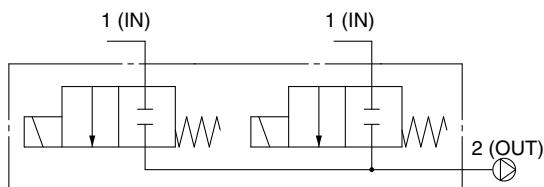
For Medium Vacuum Manifold

* For the fluid other than air and medium vacuum, please contact SMC.

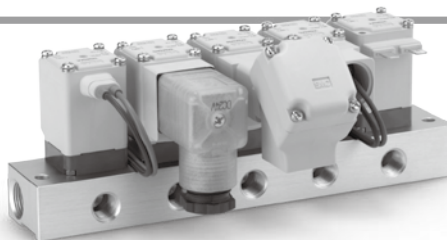
Model/Valve Specifications

N.C.

Passage symbol

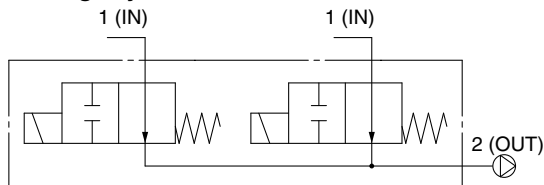


Individual SUP type



N.O.

Passage symbol



Individual SUP type

Refer to "Glossary of Terms" on page 31 for passage symbols.

Normally Closed (N.C.)

Size	Orifice diameter (mmø)	Model	Flow-rate characteristics			Maximum operating pressure differential (MPa)
			C [dm ³ /(s·bar)]	b	Cv	
1	2	VX2A4	0.63	0.63	0.23	1.0
	3		1.05	0.68	0.41	0.6
	5		2.20	0.39	0.62	0.2
2	4	VX2B4	1.90	0.52	0.62	1.0
	7		3.99	0.44	1.08	0.15
3	5	VX2C4	1.96	0.55	0.75	1.0
	7		3.99	0.44	1.08	0.3

Normally Open (N.O.)

Size	Orifice diameter (mmø)	Model	Flow-rate characteristics			Maximum operating pressure differential (MPa)
			C [dm ³ /(s·bar)]	b	Cv	
1	2	VX2D4	0.63	0.63	0.23	0.9
	3		1.05	0.68	0.41	0.45
	5		2.20	0.39	0.62	0.2
2	4	VX2E4	1.90	0.52	0.62	0.8
	7		3.99	0.44	1.08	0.15
3	5	VX2F4	1.96	0.55	0.75	0.8
	7		3.99	0.44	1.08	0.3

Fluid and Ambient Temperature

Fluid temperature (°C)	Ambient temperature (°C)
1 to 60 ^{Note)}	-20 to 60

Note) With no freezing

Valve Leakage

Internal Leakage

Seal material	Leakage rate ^{Note)}
FKM	10 ⁻⁶ Pa·m ³ /sec or less

External Leakage

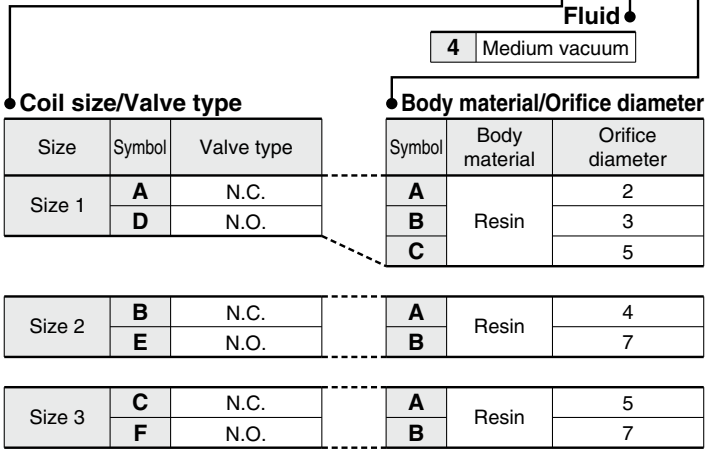
Seal material	Leakage rate ^{Note)}
FKM	10 ⁻⁶ Pa·m ³ /sec or less

Note) Leakage (10⁻⁶Pa·m³/sec) is the value at differential pressure 0.1 MPa and ambient temperature 20°C.



How to Order (Solenoid Valve for Manifold)

VX2 A 4 A A



Common Specifications

Seal material	FKM
Coil insulation type	Class B
Oil-free	
Non-leak	

● Voltage/Electrical entry

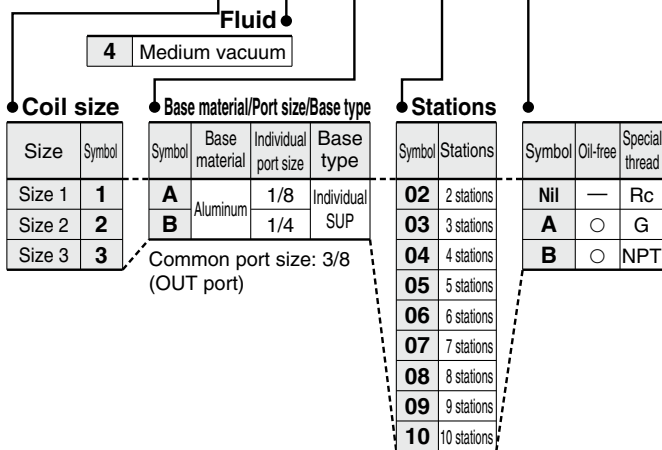
Symbol	Voltage	Electrical entry
A	24 VDC	Grommet
B	100 VAC	Grommet (With surge voltage suppressor)
C	110 VAC	
D	200 VAC	
E	230 VAC	
F	24 VDC	DIN terminal (With surge voltage suppressor)
G	24 VDC	
H	100 VAC	
J	110 VAC	
K	200 VAC	
L	230 VAC	
M	24 VDC	Conduit terminal (With surge voltage suppressor)
N	100 VAC	
P	110 VAC	
Q	200 VAC	
R	230 VAC	
S	24 VDC	
T	100 VAC	
U	110 VAC	Conduit (With surge voltage suppressor)
V	200 VAC	
W	230 VAC	
Y	24 VDC	Faston terminal
Z	Other voltages	

For other special options, refer to page 20.

Special voltage	24 VAC
	48 VAC
	220 VAC
	240 VAC
	12 VDC
DIN terminal with light	
Conduit terminal with light	
Without DIN connector	

Manifold Base/How to Order

VVX2 1 4 A 02



Blanking Plate Assembly Part No.

For size 1 VVX021S - 4A - F

For size 2 VVX022S - 4A - F

For size 3 VVX023S - 4A - F

Dimensions → Page 29

How to Order Manifold Assembly (Example)

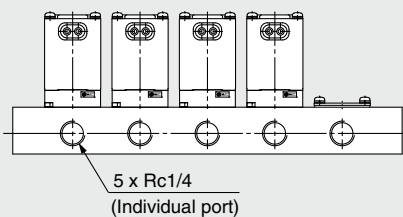
Enter the valve and blanking plate to be mounted under the manifold base part number.

<Example>

VVX214B05.....1
 *VX2A4AA4
 *VVX021S-4A-F1

“*” is the symbol for mounting.
 Add an “*” in front of the part numbers for solenoid valves, etc. to be mounted.

D side (Stations) ① ② ③ ④ ⑤ U side



Enter the product's part number in order, counting the 1st station from the D side (left in the manifold arrangement, when viewing the individual port in front).

Specifications

For Air

For Medium Vacuum

For Water

For Oil

For Steam

Construction

Dimensions

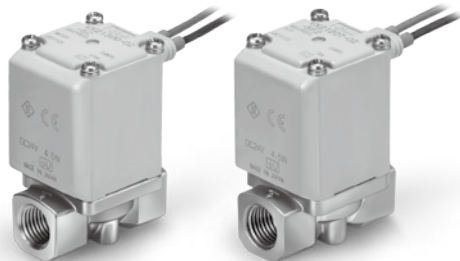
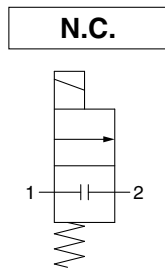
Series VX21/22/23



For Water Single Unit

Model/Valve Specifications

Passage symbol

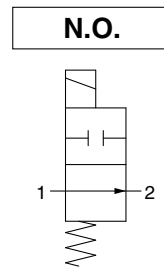


Refer to "Glossary of Terms" on page 31 for passage symbols.

Normally Closed (N.C.)

Size	Port size	Orifice diameter (mmø)	Model	Flow-rate characteristics		Maximum operating pressure differential (MPa)	Weight (g) ^{Note)}
				AV (x 10 ⁻⁶ m ²)	Conversion Cv		
1	1/8, 1/4	2	VX212	5.5	0.23	1	300
		3		10.0	0.42	0.6	300
		5		15.0	0.63	0.2	300
2	1/4, 3/8	4	VX222	15.0	0.63	1	460
		7		26.0	1.08	0.15	460
3	1/4, 3/8	5	VX232	18.0	0.75	1	580
		8		38.0	1.58	0.3	580
		10		53.0	2.21	0.1	580
	1/2	10		53.0	2.21	0.1	630

Passage symbol



Refer to "Glossary of Terms" on page 31 for passage symbols.

Normally Open (N.O.)

Size	Port size	Orifice diameter (mmø)	Model	Flow-rate characteristics		Maximum operating pressure differential (MPa)	Weight (g) ^{Note)}
				AV (x 10 ⁻⁶ m ²)	Conversion Cv		
1	1/8, 1/4	2	VX242	5.5	0.23	0.9	320
		3		10.0	0.42	0.45	320
		5		15.0	0.63	0.2	320
2	1/4	4	VX252	15.0	0.63	0.8	490
		7		26.0	1.08	0.15	490
3	1/4, 3/8	5	VX262	18.0	0.75	0.8	620
		8		38.0	1.58	0.3	620

Note) Weight of grommet type. Add 10 g for conduit type, 30 g for DIN terminal type, 60 g for conduit terminal type respectively.

• Refer to "Glossary of Terms" on page 31 for details on the maximum operating pressure differential.

Fluid and Ambient Temperature

Fluid temperature (°C)	Ambient temperature (°C)
1 to 60 ^{Note)}	-20 to 60

Note) With no freezing

Valve Leakage

Internal Leakage

Seal material ^{Note 2)}	Leakage rate (Water) ^{Note 1)}
NBR (FKM)	0.1 cm ³ /min or less

External Leakage

Seal material ^{Note 2)}	Leakage rate (Water) ^{Note 1)}
NBR (FKM)	0.1 cm ³ /min or less

Note 1) Leakage is the value at ambient temperature 20°C.

Note 2) For seal material/FKM, refer to "Other options" on page 20 for the selection.



How to Order (Single Unit)

VX2 1 2 A A

Fluid

2 Water

Common Specifications

Seal material	NBR
Coil insulation type	Class B
Thread type	Rc

Specifications

For Air

For Medium Vacuum

For Water

For Oil

For Steam

Construction

Dimensions

Coil size/Valve type

Size	Symbol	Valve type
Size 1	1	N.C.
	4	N.O.

Size	Symbol	Valve type
Size 2	2	N.C.
	5	N.O.

Size	Symbol	Valve type
Size 3	3	N.C.
	6	N.O.

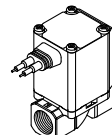
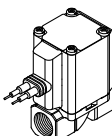
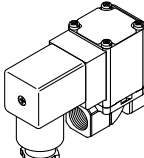
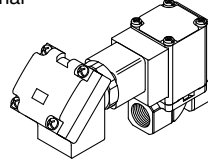
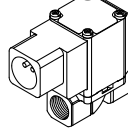
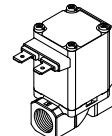
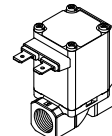
Body material/Port size/Orifice diameter

Symbol	Body material	Port size	Orifice diameter
A	C37	1/8	2
B			3
C			5
D		1/4	2
E			3
F			5
H	Stainless steel	1/8	2
J			3
K			5
L		1/4	2
M			3
N			5

Symbol	Body material	Port size	Orifice diameter
A	C37	1/4	4
B			7
D		3/8	4
E	7		
H	Stainless steel	1/4	4
J			7
L			3/8
M		7	

Symbol	Body material	Port size	Orifice diameter
A	C37	1/4	5
B			8
C			10 (N.C. only)
D		3/8	5
E			8
F			10 (N.C. only)
G	1/2	10 (N.C. only)	
H	Stainless steel	1/4	5
J			8
K			10 (N.C. only)
L		3/8	5
M			8
N			10 (N.C. only)
P	1/2	10 (N.C. only)	

Voltage/Electrical entry

Symbol	Voltage	Electrical entry
A	24 VDC	Grommet 
B	100 VAC	Grommet (With surge voltage suppressor) 
C	110 VAC	
D	200 VAC	
E	230 VAC	
F	24 VDC	DIN terminal (With surge voltage suppressor) 
G	24 VDC	
H	100 VAC	
J	110 VAC	
K	200 VAC	Conduit terminal (With surge voltage suppressor) 
L	230 VAC	
M	24 VDC	
N	100 VAC	
P	110 VAC	Conduit (With surge voltage suppressor) 
Q	200 VAC	
R	230 VAC	
S	24 VDC	
T	100 VAC	Faston terminal 
U	110 VAC	
V	200 VAC	
W	230 VAC	Faston terminal 
Y	24 VDC	
Z	Other voltages	

For other special options, refer to page 20.

Special voltage	24 VAC
	48 VAC
	220 VAC
	240 VAC
	12 VDC
DIN terminal with light	
Conduit terminal with light	
Without DIN connector	
Applicable to deionized water (Seal material: FKM)	
Oil-free	
G thread	
NPT thread	
With bracket	

Series VX21/22/23



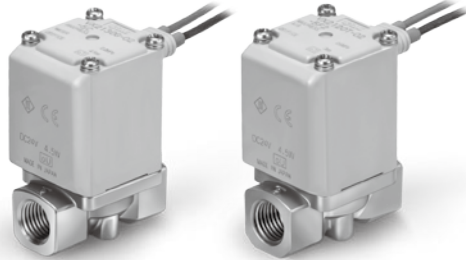
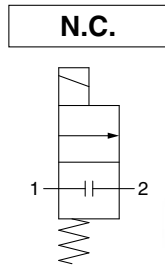
For Oil Single Unit

⚠ When the fluid is oil.

The kinematic viscosity must not exceed 50 mm²/s. The special construction of the armature adopted in the built-in full-wave rectifier type gives an improvement in OFF response by providing clearance on the absorbed surface when it is switched ON.

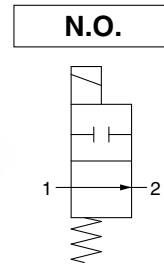
Model/Valve Specifications

Passage symbol



Refer to "Glossary of Terms" on page 31 for passage symbols.

Passage symbol



Refer to "Glossary of Terms" on page 31 for passage symbols.

Normally Closed (N.C.)

Size	Port size	Orifice diameter (mmø)	Model	Flow-rate characteristics		Maximum operating pressure differential (MPa)	Weight (g) ^{Note)}
				AV (x 10 ⁻⁶ m ²)	Conversion Cv		
1	1/8, 1/4	2	VX213	5.5	0.23	1	300
		3		10.0	0.42	0.6	300
		5		15.0	0.63	0.2	300
2	1/4, 3/8	4	VX223	15.0	0.63	1	460
		7		26.0	1.08	0.15	460
3	1/4, 3/8	5	VX233	18.0	0.75	1	580
		8		38.0	1.58	0.3	580
		10		53.0	2.21	0.1	580
	1/2	10		53.0	2.21	0.1	630

Normally Open (N.O.)

Size	Port size	Orifice diameter (mmø)	Model	Flow-rate characteristics		Maximum operating pressure differential (MPa)	Weight (g) ^{Note)}
				AV (x 10 ⁻⁶ m ²)	Conversion Cv		
1	1/8, 1/4	2	VX243	5.5	0.23	0.9	320
		3		10.0	0.42	0.45	320
		5		15.0	0.63	0.2	320
2	1/4	4	VX253	15.0	0.63	0.8	490
		7		26.0	1.08	0.15	490
3	1/4, 3/8	5	VX263	18.0	0.75	0.8	620
		8		38.0	1.58	0.3	620

Note) Weight of grommet type. Add 10 g for conduit type, 30 g for DIN terminal type, 60 g for conduit terminal type respectively.

• Refer to "Glossary of Terms" on page 31 for details on the maximum operating pressure differential.

Fluid and Ambient Temperature

Fluid temperature (°C)	Ambient temperature (°C)
-5 ^{Note)} to 60	-20 to 60

Note) Kinematic viscosity: 50 mm²/s or less

Valve Leakage

Internal Leakage

Seal material	Leakage rate (Oil) ^{Note)}
FKM	0.1 cm ³ /min or less

External Leakage

Seal material	Leakage rate (Oil) ^{Note)}
FKM	0.1 cm ³ /min or less

Note) Leakage is the value at ambient temperature 20°C.

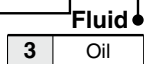
Direct Operated 2 Port Solenoid Valve *Series VX21/22/23*

 **For Oil Single Unit**



How to Order

VX2 **1** **3** **A** **A**



Common Specifications

Seal material	FKM
Coil insulation type	Class B
Thread type	Rc

Specifications

For Air

For Medium Vacuum

For Water

For Oil

For Steam

Construction

Dimensions

Coil size/Valve type

Size	Symbol	Valve type
Size 1	1	N.C.
	4	N.O.

Size 2	2	N.C.
	5	N.O.

Size 3	3	N.C.
	6	N.O.

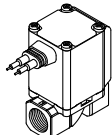
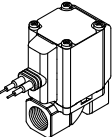
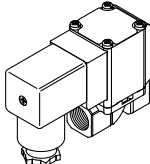
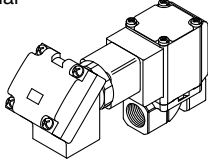
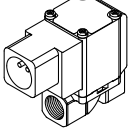
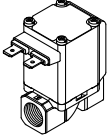
Body material/Port size/Orifice diameter

Symbol	Body material	Port size	Orifice diameter
A	C37	1/8	2
B			3
C			5
D		1/4	2
E			3
F			5
H	Stainless steel	1/8	2
J			3
K			5
L		1/4	2
M			3
N			5

A	C37	1/4	4
B			7
D		3/8	4
E	7		
H	Stainless steel	1/4	4
J			7
L			3/8
M		7	

A	C37	1/4	5
B			8
C			10 (N.C. only)
D		3/8	5
E			8
F			10 (N.C. only)
G	1/2	10 (N.C. only)	
H	Stainless steel	1/4	5
J			8
K			10 (N.C. only)
L		3/8	5
M			8
N			10 (N.C. only)
P	1/2	10 (N.C. only)	

Voltage/Electrical entry

Symbol	Voltage	Electrical entry
A	24 VDC	Grommet 
B	100 VAC	Grommet (With surge voltage suppressor) 
C	110 VAC	
D	200 VAC	
E	230 VAC	
F	24 VDC	DIN terminal (With surge voltage suppressor) 
G	24 VDC	
H	100 VAC	
J	110 VAC	
K	200 VAC	
L	230 VAC	
M	24 VDC	Conduit terminal (With surge voltage suppressor) 
N	100 VAC	
P	110 VAC	
Q	200 VAC	
R	230 VAC	Conduit (With surge voltage suppressor) 
S	24 VDC	
T	100 VAC	
U	110 VAC	
V	200 VAC	
W	230 VAC	
Y	24 VDC	Faston terminal 
Z	Other voltages	

For other special options, refer to page 20.

Special voltage	24 VAC
	48 VAC
	220 VAC
	240 VAC
	12 VDC
DIN terminal with light	
Conduit terminal with light	
Without DIN connector	
Oil-free	
G thread	
NPT thread	
With bracket	

Dimensions → Page 26 (Single unit)

Series VX21/22/23



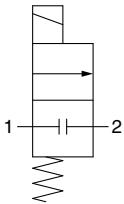
For Steam Single Unit

* Can be used with heated water.

Model/Valve Specifications

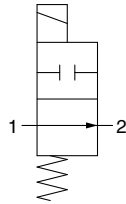
Passage symbol

N.C.



Passage symbol

N.O.



Refer to "Glossary of Terms" on page 31 for passage symbols.

Normally Closed (N.C.)

Size	Port size	Orifice diameter (mmø)	Model	Flow-rate characteristics		Maximum operating pressure differential (MPa)	Weight ^(Note) (g)
				AV (x 10 ⁻⁶ m ²)	Conversion Cv		
1	1/8, 1/4	2	VX215	5.5	0.23	1	300
		3		10.0	0.42	0.6	300
		5		15.0	0.63	0.2	300
2	1/4	4	VX225	15.0	0.63	1	460
		7		26.0	1.08	0.15	460
3	1/4, 3/8	5	VX235	18.0	0.75	1	580
		8		38.0	1.58	0.3	580
		10		53.0	2.21	0.1	580
	1/2	53.0		2.21	0.1	630	

Normally Open (N.O.)

Size	Port size	Orifice diameter (mmø)	Model	Flow-rate characteristics		Maximum operating pressure differential (MPa)	Weight ^(Note) (g)
				AV (x 10 ⁻⁶ m ²)	Conversion Cv		
1	1/8, 1/4	2	VX245	5.5	0.23	0.9	320
		3		10.0	0.42	0.45	320
		5		15.0	0.63	0.2	320
2	1/4	4	VX255	15.0	0.63	0.8	490
		7		26.0	1.08	0.15	490
3	1/4, 3/8	5	VX265	18.0	0.75	0.8	620
		8		38.0	1.58	0.3	620

Note) Weight of grommet type. Add 10 g for conduit type, 60 g for conduit terminal type respectively.

Fluid and Ambient Temperature

Fluid temperature (°C)	Ambient temperature (°C)
Steam: 183 or less	-20 to 60
Heated water: 99 or less	

Valve Leakage

Internal Leakage

Fluid	Seal material	Leakage rate
Steam	FKM for high temperature	1.0 cm ³ /min or less
Heated water		0.1 cm ³ /min or less

External Leakage

Fluid	Seal material	Leakage rate
Steam	FKM for high temperature	1.0 cm ³ /min or less
Heated water		0.1 cm ³ /min or less

Direct Operated 2 Port Solenoid Valve **Series VX21/22/23**



For Steam Single Unit

* Can be used with heated water.



How to Order (Single Unit)

VX2 1 5 A B

Fluid ●

5 Steam

* Can be used with heated water.

Common Specifications

Seal material	FKM for high temperature
Coil insulation type	Class H
Thread type	Rc

Specifications

For Air

For Medium Vacuum

For Water

For Oil

For Steam

Construction

Dimensions

Coil size/Valve type

Size	Symbol	Valve type
Size 1	1	N.C.
	4	N.O.

Body material/Port size/Orifice diameter

Symbol	Body material	Port size	Orifice diameter	
A	C37	1/8	2	
B			3	
C			5	
D			1/4	2
E				3
F	5			
H	Stainless steel	1/8	2	
J			3	
K			5	
L			1/4	2
M				3
N	5			

Voltage/Electrical entry

Symbol	Voltage	Electrical entry
B	100 VAC	Grommet (With surge voltage suppressor)
C	110 VAC	
D	200 VAC	
E	230 VAC	Conduit terminal (With surge voltage suppressor)
N	100 VAC	
P	110 VAC	
Q	200 VAC	Conduit (With surge voltage suppressor)
R	230 VAC	
T	100 VAC	
U	110 VAC	Other voltages
V	200 VAC	
W	230 VAC	
Z		

* DIN terminal, Faston terminal or DC specification are not available.

Size	Symbol	Valve type
Size 2	2	N.C.
	5	N.O.

Symbol	Body material	Port size	Orifice diameter	
A	C37	1/4	4	
B			7	
D			3/8	4
E	7			
H	Stainless steel	1/4	4	
J			7	
L			3/8	4
M				7
N				7

Size	Symbol	Valve type
Size 3	3	N.C.
	6	N.O.

Symbol	Body material	Port size	Orifice diameter	
A	C37	1/4	5	
B			8	
C			10 (Only N.C.)	
D			3/8	5
E				8
F	10 (Only N.C.)			
G	1/2	10 (Only N.C.)		
H	Stainless steel	1/4	5	
J			8	
K			10 (Only N.C.)	
L			3/8	5
M				8
N	10 (Only N.C.)			
P	1/2	10 (Only N.C.)		

For other special options, refer to page 20.

Special voltage	24 VAC
	48 VAC
	220 VAC
	240 VAC
Conduit terminal with light	
Oil-free	
G thread	
NPT thread	
With bracket	

Dimensions → Page 28 (Single unit)

Series VX21/22/23

Other Special Options

Electrical options (Special voltage, with light)

VX2 1 0 A Z 1A

Enter standard product number.

Electrical option

Special voltage/Electrical entry/Electrical option

Specification	Symbol	Voltage	Electrical entry
Special voltage	1A	48 VAC	Grommet (With surge voltage suppressor)
	1B	220 VAC	
	1C	240 VAC	
	1U	24 VAC	
	1D	12 VDC	Grommet
	1E	12 VDC	Grommet (With surge voltage suppressor)
	1F	48 VAC	DIN terminal (With surge voltage suppressor)
	1G	220 VAC	
	1H	240 VAC	
	1V	24 VAC	
	1J	12 VDC	
	1K	48 VAC	Conduit terminal (With surge voltage suppressor)
	1L	220 VAC	
	1M	240 VAC	
	1W	24 VAC	
	1N	12 VDC	Conduit (With surge voltage suppressor)
	1P	48 VAC	
	1Q	220 VAC	
	1R	240 VAC	
	1Y	24 VAC	
1S	12 VDC	Faston terminal	
1T	12 VDC		
With light	2A	24 VDC	DIN terminal (With surge voltage suppressor)
	2B	100 VAC	
	2C	110 VAC	
	2D	200 VAC	
	2E	230 VAC	
	2F	48 VAC	
	2G	220 VAC	
	2H	240 VAC	
	2V	24 VAC	Conduit terminal (With surge voltage suppressor)
	2J	12 VDC	
	2K	24 VDC	
	2L	100 VAC	
	2M	110 VAC	
	2N	200 VAC	
	2P	230 VAC	
	2Q	48 VAC	
2R	220 VAC	DIN terminal (With surge voltage suppressor)	
2S	240 VAC		
2W	24 VAC		
2T	12 VDC		
3A	24 VDC		
3B	100 VAC		
3C	110 VAC		
3D	200 VAC		
3E	230 VAC		
3F	48 VAC		
3G	220 VAC		
3H	240 VAC		
3V	24 VAC		
3J	12 VDC		

Other options (Low concentration ozone resistant and applicable to deionized water, Oil-free, Port thread)

VX2 1 0 A A Z

Enter standard product number.

Other option

Low concentration ozone resistant and applicable to deionized water/Oil-free/Port thread

Symbol	Low concentration ozone resistant and applicable to deionized water*1 (Seal material: FKM)	Oil-free	Port thread
A	—	—	G
B	—	—	NPT
C	○	—	Standard (Rc)*2
D	—	○	G
E	—	○	NPT
F	○	—	G
G	—	—	NPT
H	—	—	Standard (Rc)*2
K	○	○	G
L	—	—	NPT
Z	—	○	Standard (Rc)*2

*1 Applicable to air (VX2□□0) and water (VX2□□2)

*2 When the body is resin, one-touch fittings are equipped as standard.

With Bracket (shipped together)

*1 Only for C37 and stainless steel body materials.

(Select C37 from model for water when interchangeable product is necessary for air.)

*2 When the orifice is ø8, ø10, and when the body port size is 1/4 or 3/8, use a foot type bracket. (The old VX series is not compatible. If the body port size is 1/2, there are no XB settings (Refer to the following).)

*3 On the bottom side of the standard body, there are no mounting holes. Please be careful because the bracket cannot be retrofit. (Please inquire separately regarding mounting holes on the bottom side of the body.)

VX □ □ □ □ XB

Enter standard product number.

With bracket (shipped together)

Bracket interchangeable with an old type

Size	Port size	Orifice diameter (mmø)	Bracket interchangeable with an old type
1	1/8, 1/4	2	○ (Interchangeable)
		3	○ (Interchangeable)
		5	○ (Interchangeable)
2	1/4, 3/8	4	○ (Interchangeable)
		7	○ (Interchangeable)
3	1/4, 3/8	5	○ (Interchangeable)
		8	× (Not interchangeable)*2
		10	× (Not interchangeable)*2
	1/2	10	—*2

* Enter symbols in the order below when ordering a combination of electrical option, other option and with bracket.

Example) VX2 1 2 A Z 1A Z XB

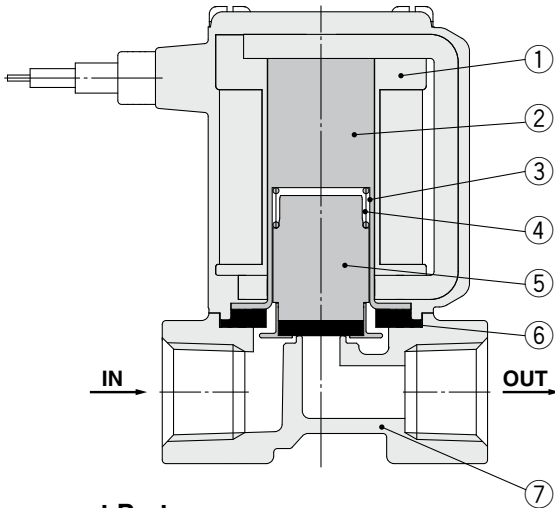
Electrical option

Other option With bracket

Construction/Single Unit

Normally Closed (N.C.)

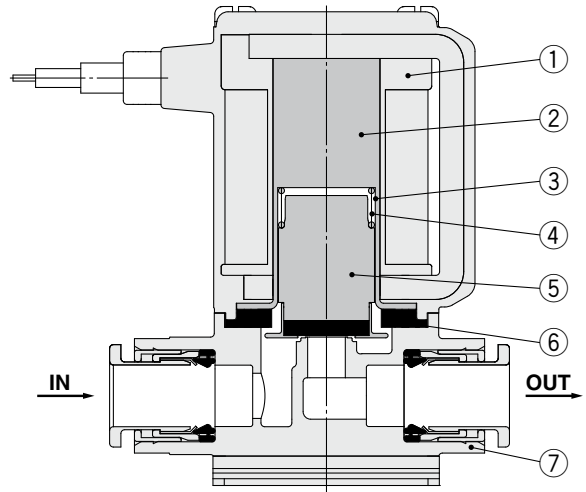
Body material: Aluminum, C37, Stainless steel



Component Parts

No.	Description	Material
1	Solenoid coil	Cu + Fe + Resin
2	Core	Fe
3	Tube	Stainless steel
4	Spring	Stainless steel
5	Armature assembly	NBR, FKM, Stainless steel
6	Seal	NBR, FKM
7	Body	Aluminum, C37, Stainless steel

Body material: Resin

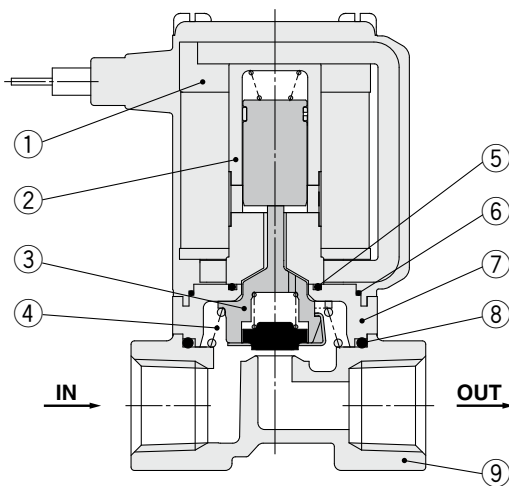


Component Parts

No.	Description	Material
1	Solenoid coil	Cu + Fe + Resin
2	Core	Fe
3	Tube	Stainless steel
4	Spring	Stainless steel
5	Armature assembly	NBR, Stainless steel
6	Seal	NBR, FKM
7	Body	Resin (PBT)

Normally Open (N.O.)

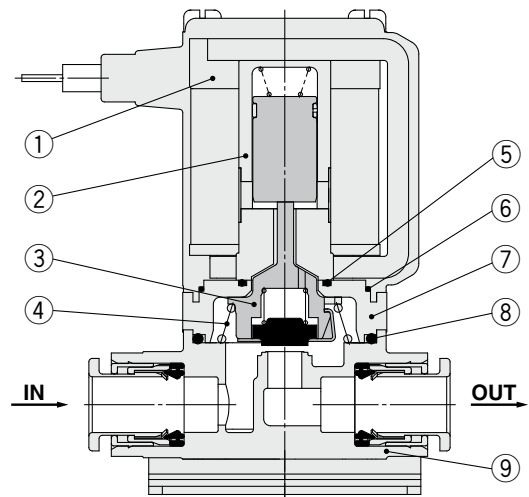
Body material: Aluminum, C37, Stainless steel



Component Parts

No.	Description	Material
1	Solenoid coil	Cu + Fe + Resin
2	Sleeve assembly	Stainless steel, Resin (PPS)
3	Push rod assembly	Resin (PPS), Stainless steel, NBR, FKM
4	Spring	Stainless steel
5	O-ring A	NBR, FKM
6	O-ring B	NBR, FKM
7	Adapter	Resin (PPS)
8	O-ring C	NBR, FKM
9	Body	Aluminum, C37, Stainless steel

Body material: Resin



Component Parts

No.	Description	Material
1	Solenoid coil	Cu + Fe + Resin
2	Sleeve assembly	Stainless steel, Resin (PPS)
3	Push rod assembly	Resin (PPS), Stainless steel, NBR, FKM
4	Spring	Stainless steel
5	O-ring A	NBR, FKM
6	O-ring B	NBR, FKM
7	Adapter	Resin (PPS)
8	O-ring C	NBR, FKM
9	Body	Resin (PBT)

Specifications

For Air

For Medium Vacuum

For Water

For Oil

For Steam

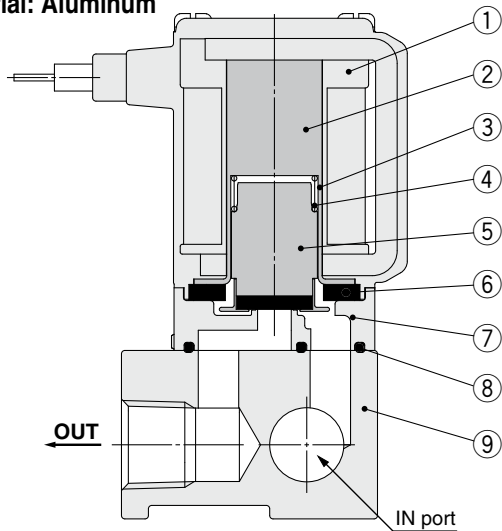
Construction

Dimensions

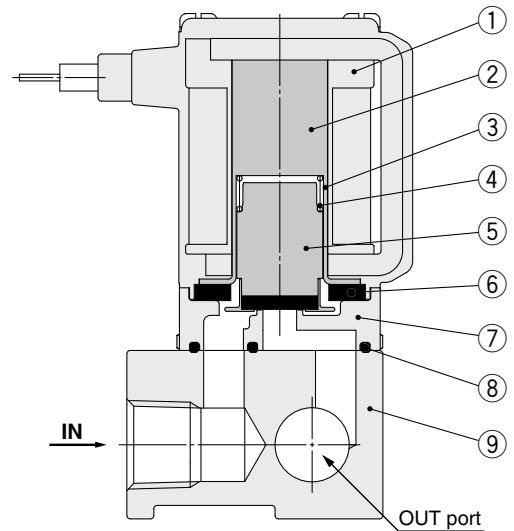
Series VX21/22/23

Construction/Manifold

Normally Closed (N.C.) Common SUP type (for air)
Base material: Aluminum



Individual SUP type (for medium vacuum)

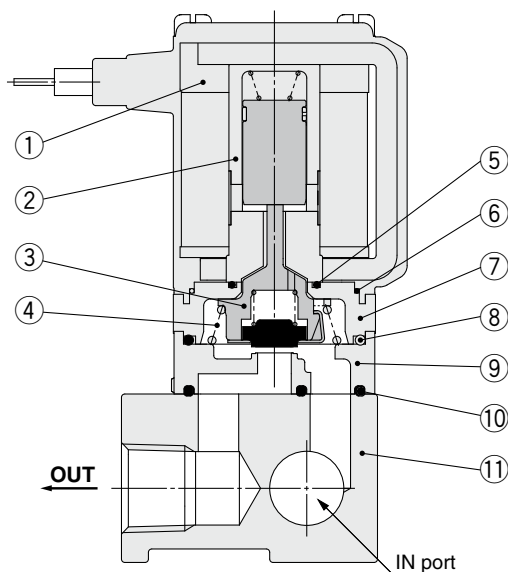


Component Parts

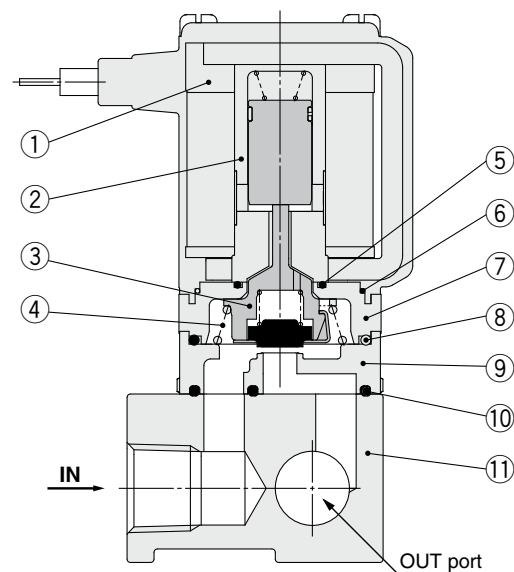
No.	Description	Material
1	Solenoid coil	Cu + Fe + Resin
2	Core	Fe
3	Tube	Stainless steel
4	Spring	Stainless steel
5	Armature assembly	NBR, FKM, Stainless steel
6	Seal	NBR, FKM
7	Body	Resin (PPS)
8	Gasket	NBR, FKM
9	Base	Aluminum

Normally Open (N.O.)

Base material: Aluminum Common SUP type (for air)



Individual SUP type (for medium vacuum)



Component Parts

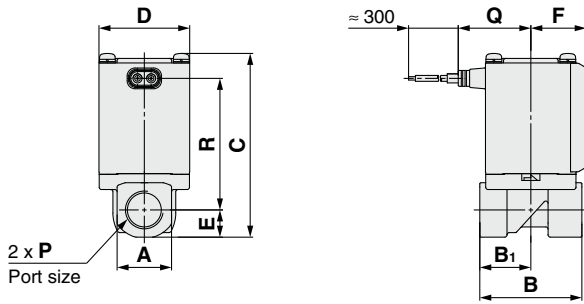
No.	Description	Material
1	Solenoid coil	Cu + Fe + Resin
2	Sleeve assembly	Stainless steel, Resin (PPS)
3	Push rod assembly	Resin (PPS), Stainless steel, NBR, FKM
4	Spring	Stainless steel
5	O-ring A	NBR, FKM
6	O-ring B	NBR, FKM

No.	Description	Material
7	Adapter	Resin (PPS)
8	O-ring C	NBR, FKM
9	Body	Resin (PPS)
10	Gasket	NBR, FKM
11	Base	Aluminum

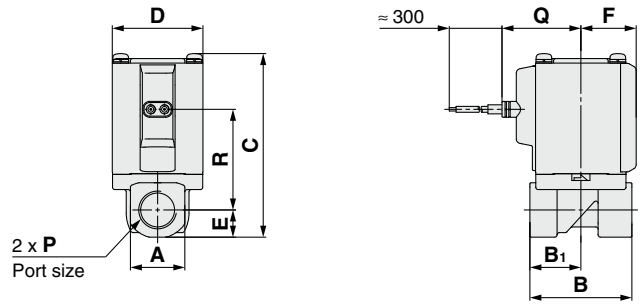


Dimensions/Body Material: Aluminum

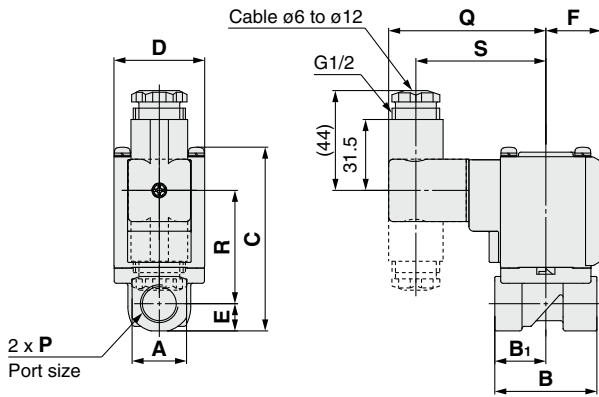
Grommet (DC)



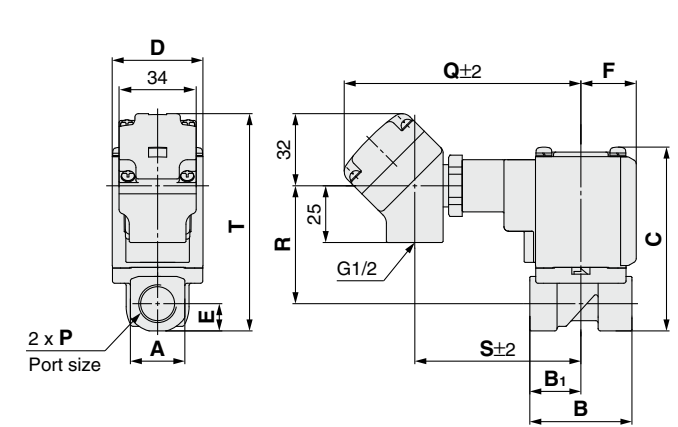
Grommet (with surge voltage suppressor)



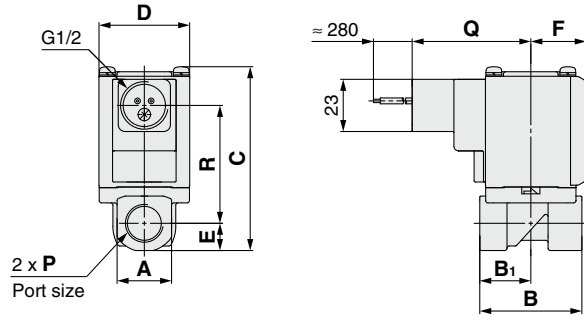
DIN terminal



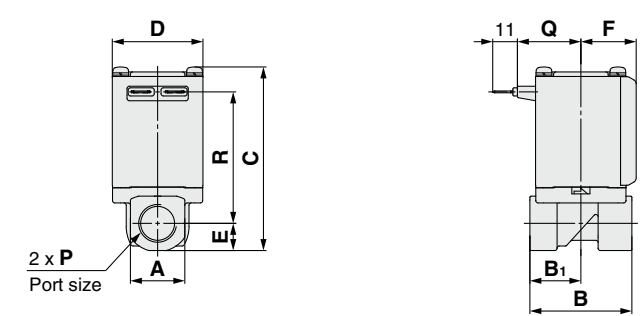
Conduit terminal



Conduit



Faston terminal



- Specifications
- For Air
- For Medium Vacuum
- For Water
- For Oil
- For Steam

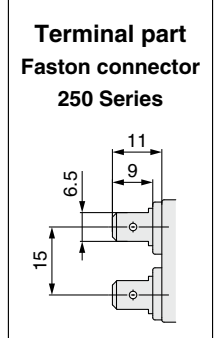
- Construction
- Dimensions

(mm)

Size	Port size P	A	B	B ₁	C	D	E	F	Electrical entry			
									Grommet		Grommet (with surge voltage suppressor)	
									Q	R	Q	R
1	1/8, 1/4	19	43	21	61 (67)	30	9.5	20	27	42 (47.5)	30	28.5 (34)
2	1/4, 3/8	24	45	22.5	76 (84)	35	12	22	29.5	53.5 (61.5)	32.5	39.5 (47.5)
3	1/4, 3/8	24	45	22.5	81 (89)	40	12	24.5	32	58 (66.5)	35	44.5 (52.5)
	1/2	30	50	25	86.5	40	15	24.5	32	61	35	47.5

Size	Port size P	Electrical entry										
		DIN terminal			Conduit terminal				Conduit		Faston terminal	
		Q	R	S	Q	R	S	T	Q	R	Q	R
1	1/8, 1/4	64.5	34 (39.5)	52.5	99.5	36 (41.5)	68.5	77 (83)	47.5	36 (41.5)	23	42 (47.5)
2	1/4, 3/8	67	45 (53)	55	102	47 (55)	71	91 (99)	50	47 (55)	25.5	53.5 (61.5)
3	1/4, 3/8	69.5	50 (58)	57.5	104.5	52 (60)	73.5	96 (104)	52.5	52 (60)	28	58 (66.5)
	1/2	69.5	53	57.5	104.5	55	73.5	101.5	52.5	55	28	61

() : Denotes the Normally Open (N.O.) dimensions.



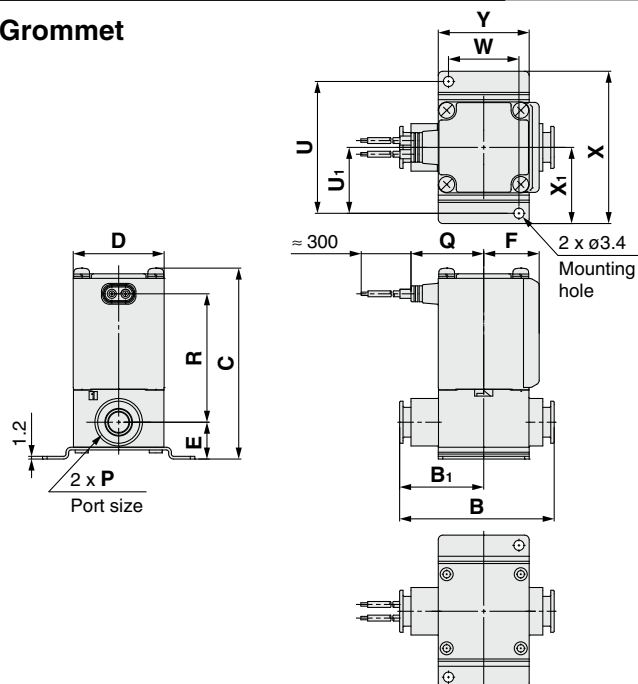
Series VX21/22/23



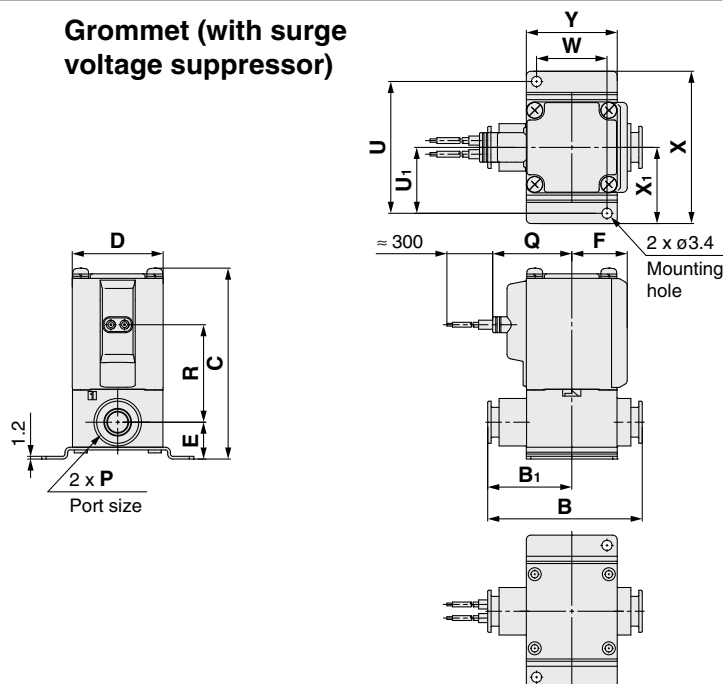
For Air

Dimensions/Body Material: Resin

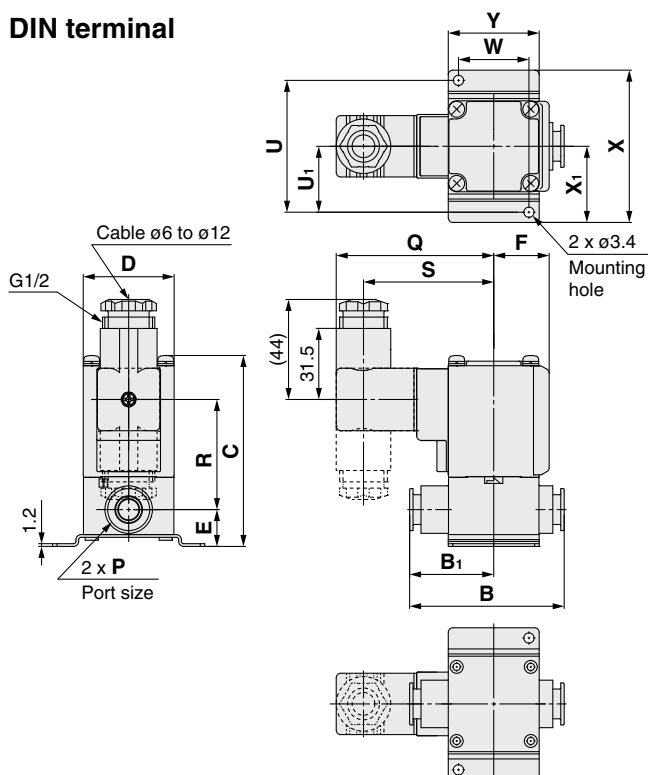
Grommet



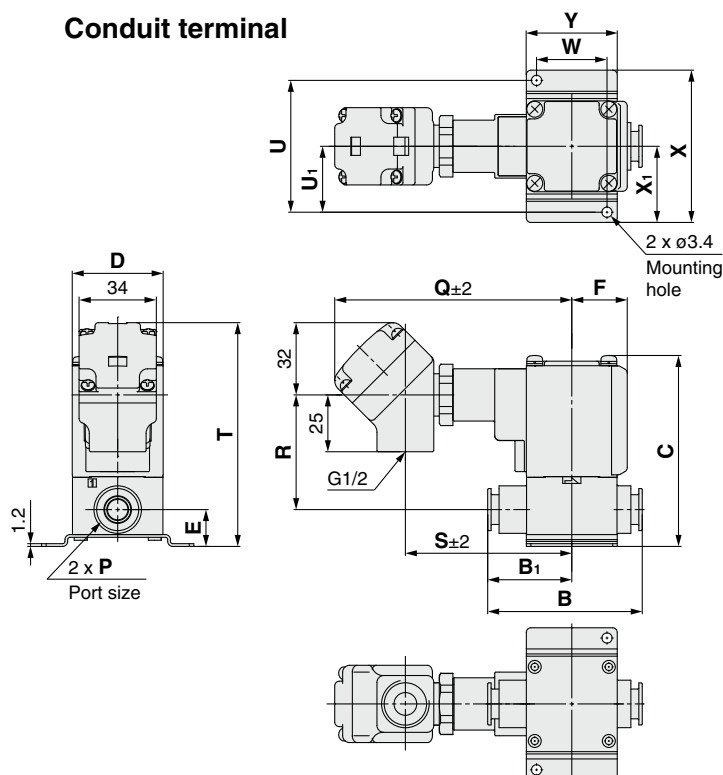
Grommet (with surge voltage suppressor)



DIN terminal



Conduit terminal



For information on handling one-touch fittings and appropriate tubing, refer to page 41 and KQ2 series one-touch fittings in Best Pneumatics No. 6.

The KQ2 series information can be downloaded from the following SMC website, <http://www.smcworld.com>

Size	One-touch fitting P	B	B ₁	C	D	E	F	Mounting bracket dimensions (mm)					
								U	U ₁	W	X	X ₁	Y
1	ø6, ø8	53.5	29	65.5 (71.5)	30	13.5	20	45	22.5	22	52	26	30
2	ø8, ø10	66	36	76.5 (84.5)	35	15	22	53	26.5	27	62	31	35
3	ø10, ø12	68	37	84 (92)	40	16.5	24.5	58	29	31	67	33.5	40

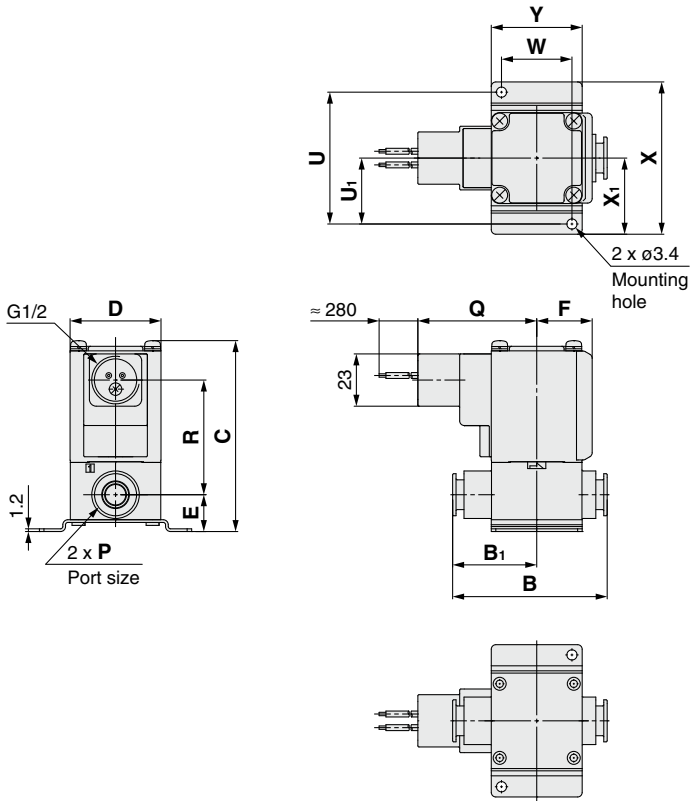
Size	One-touch fitting P	Electrical entry										
		Grommet		Grommet (with surge voltage suppressor)		DIN terminal			Conduit terminal			
		Q	R	Q	R	Q	R	S	Q	R	S	T
1	ø6, ø8	27	42.5 (48)	30	29 (34.5)	64.5	34.5 (40)	52.5	99.5	36.5 (42)	68.5	81.5 (87)
2	ø8, ø10	29.5	51 (59)	32.5	37 (45)	67	43 (50.5)	55	102	45 (52.5)	71	91.5 (99.5)
3	ø10, ø12	32	56.5 (65)	35	43 (51)	69.5	48.5 (56.5)	57.5	104.5	50.5 (58.5)	73.5	98.5 (106.5)

() : Denotes the Normally Open (N.O.) dimensions.

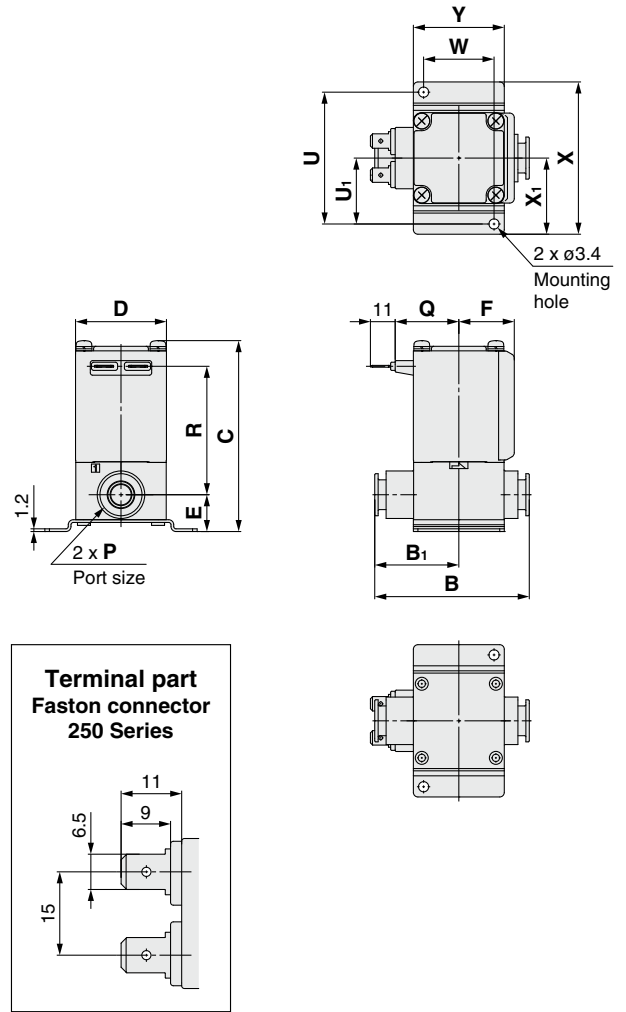


Dimensions/Body Material: Resin

Conduit



Faston terminal



Specifications

For Air

For Medium Vacuum

For Water

For Oil

For Steam

Construction

Dimensions

Size	One-touch fitting P	B	B ₁	C	D	E	F	Mounting bracket dimensions						Electrical entry			
														Conduit		Faston terminal	
								U	U ₁	W	X	X ₁	Y	Q	R	Q	R
1	ø6, ø8	53.5	29	65.5 (71.5)	30	13.5	20	45	22.5	22	52	26	30	47.5	36.5 (42)	23	42.5 (48)
2	ø8, ø10	66	36	76.5 (84.5)	35	15	22	53	26.5	27	62	31	35	50	45 (52.5)	25.5	51 (59)
3	ø10, ø12	68	37	84 (92)	40	16.5	24.5	58	29	31	67	33.5	40	52.5	50.5 (58.5)	28	56.5 (65)

(): Denotes the Normally Open (N.O.) dimensions.

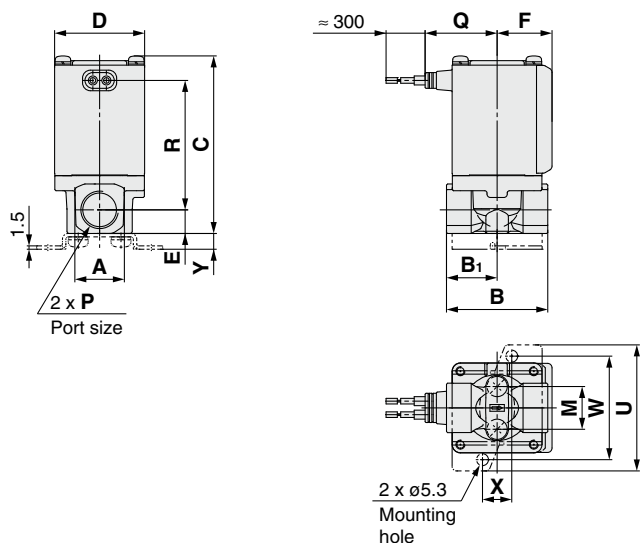
Series VX21/22/23



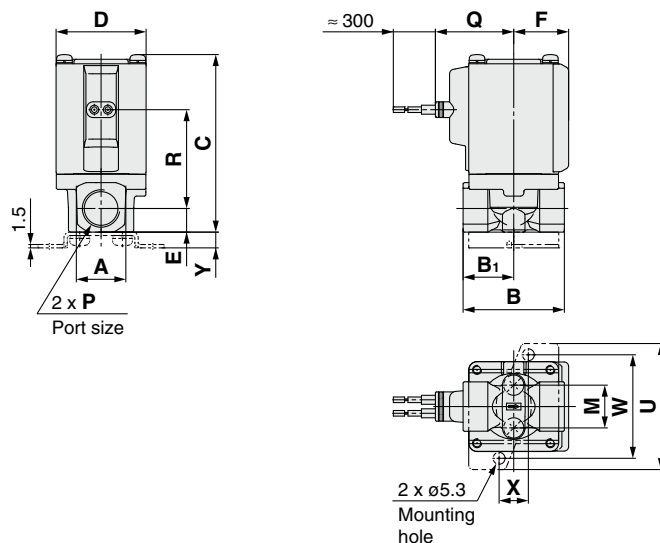
For Medium Vacuum, Water, Oil

Dimensions/Body Material: C37, Stainless Steel

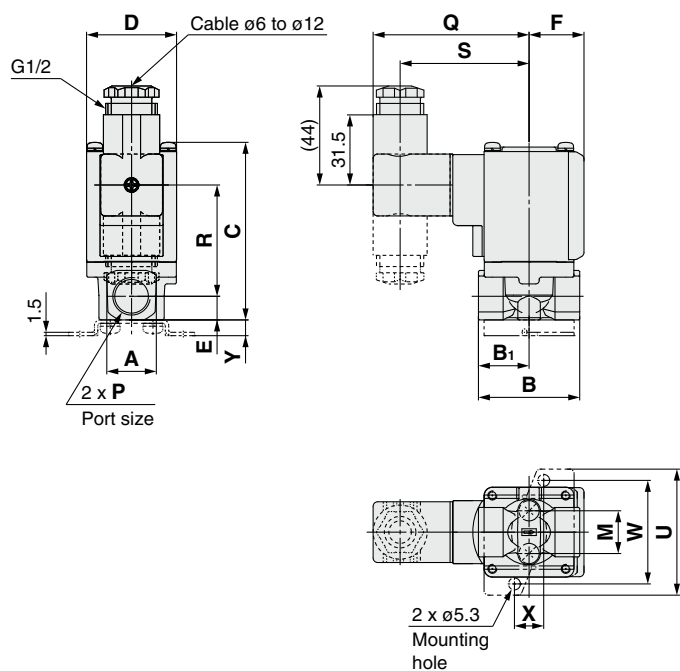
Grommet



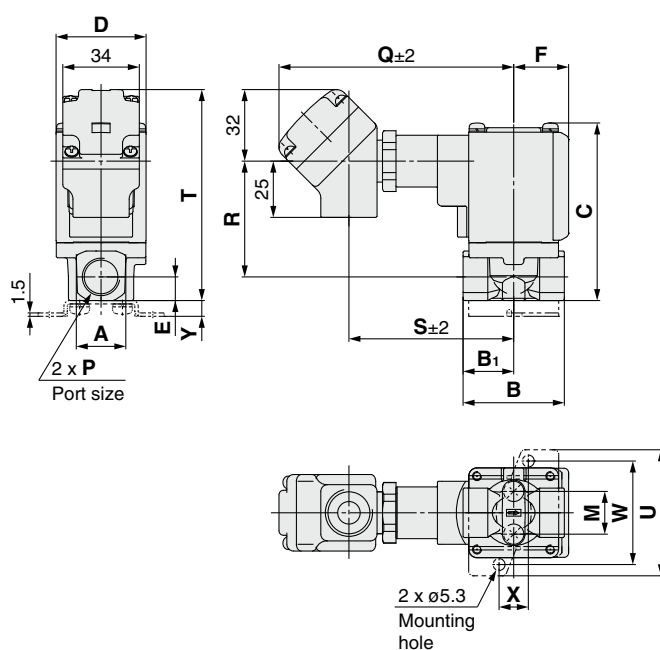
Grommet (with surge voltage suppressor)



DIN terminal



Conduit terminal



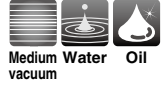
(mm)

Size	Port size P	A	B	B ₁	C	D	E	F	Mounting bracket dimensions				
									M	U	W	X	Y
1	1/8, 1/4	19	43	21	61 (67)	30	9.5	20	12.8	46	36	11	6
2	1/4, 3/8	22	45	22.5	74.5 (82.5)	35	10.5	22	19	56	46	13	7
3	1/4, 3/8	22	45	22.5	79 (88)	40	10.5	24.5	19	56	46	13	7
	1/2	29.5	50	25	85.5	40	14	24.5	—	—	—	—	—

Size	Port size P	Electrical entry										
		Grommet		Grommet (with surge voltage suppressor)		DIN terminal			Conduit terminal			
		Q	R	Q	R	Q	R	S	Q	R	S	T
1	1/8, 1/4	27	42 (47.5)	30	28.5 (34)	64.5	34 (39.5)	52.5	99.5	36 (41.5)	68.5	77 (83)
2	1/4, 3/8	29.5	53.5 (61.5)	32.5	39.5 (47.5)	67	45 (53)	55	102	47 (55)	71	89.5 (97.5)
3	1/4, 3/8	32	57.5 (67)	35	44 (53)	69.5	49.5 (58.5)	57.5	104.5	51.5 (60.5)	73.5	94 (103)
	1/2	32	61	35	47.5	69.5	53	57.5	104.5	55	73.5	100.5

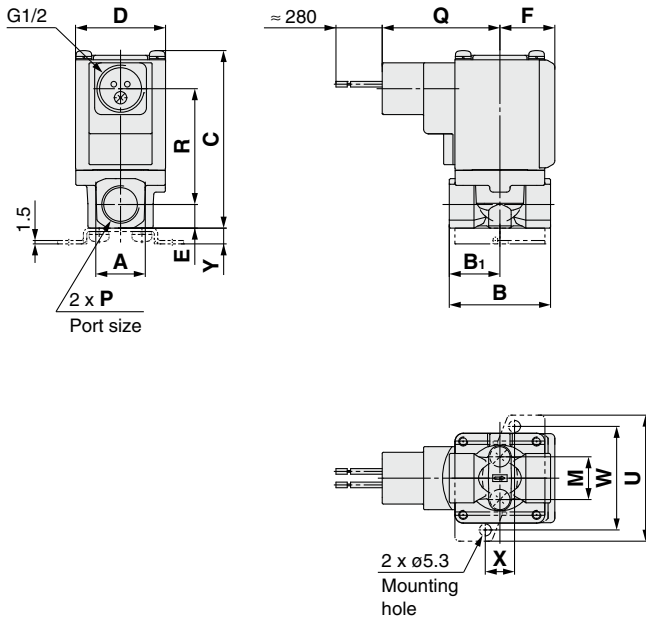
() : Denotes the Normally Open (N.O.) dimensions.

Direct Operated 2 Port Solenoid Valve *Series VX21/22/23*

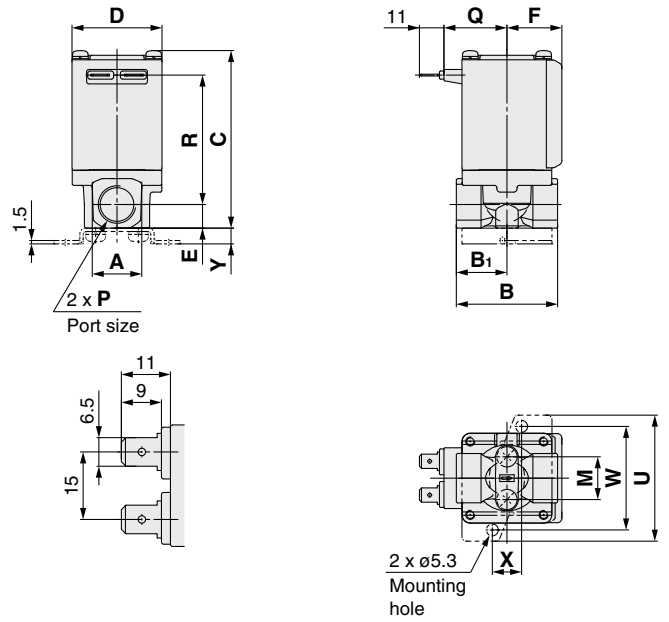


Dimensions/Body Material: C37, Stainless Steel

Conduit



Faston terminal



Specifications

For Air

For Medium Vacuum

For Water

For Oil

For Steam

Construction

Dimensions

Size	Port size P	A	B	B ₁	C	D	E	F	Mounting bracket dimensions				
									M	U	W	X	Y
1	1/8, 1/4	19	43	21	61 (67)	30	9.5	20	12.8	46	36	11	6
2	1/4, 3/8	22	45	22.5	74.5 (82.5)	35	10.5	22	19	56	46	13	7
3	1/4, 3/8	22	45	22.5	79 (88)	40	10.5	24.5	19	56	46	13	7
	1/2	29.5	50	25	85.5	40	14	24.5	—	—	—	—	—

Size	Port size P	Electrical entry			
		Conduit		Faston terminal	
		Q	R	Q	R
1	1/8, 1/4	47.5	36 (41.5)	23	42 (47.5)
2	1/4, 3/8	50	47 (55)	25.5	53.5 (61.5)
3	1/4, 3/8	52.5	51.5 (60.5)	28	57.5 (67)
	1/2	52.5	55	28	61

(): Denotes the Normally Open (N.O.) dimensions.

Series VX21/22/23

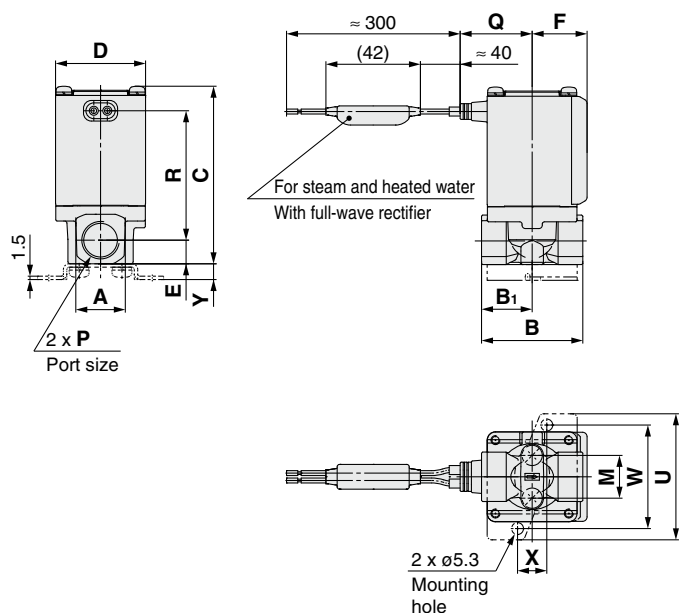


For Steam

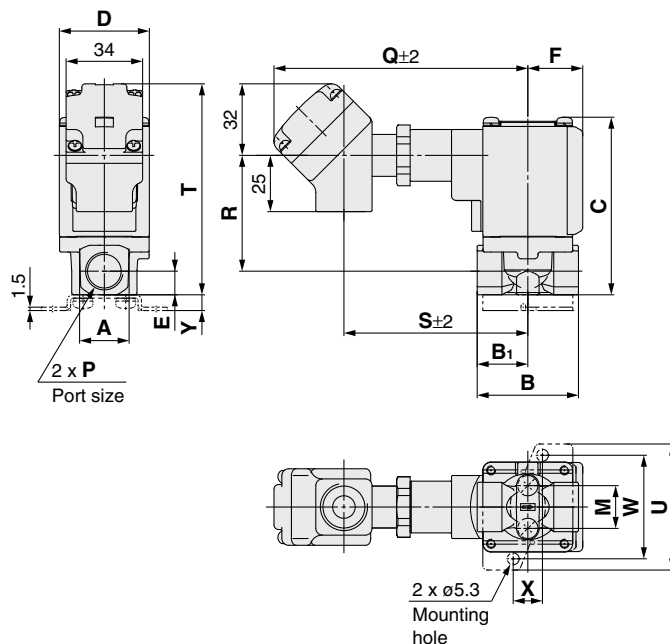
Can be used with heated water.

Dimensions/Body Material: C37, Stainless Steel

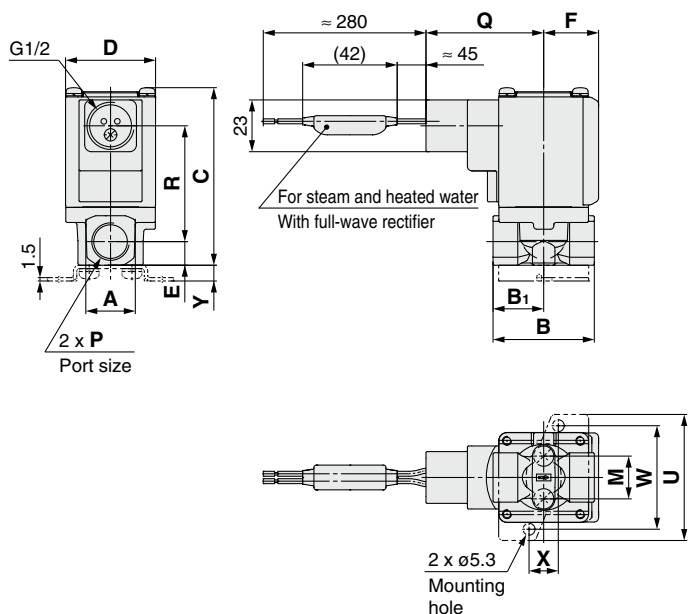
Grommet



Conduit terminal



Conduit



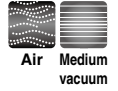
Size	Port size P	A	B	B ₁	C	D	E	F	Mounting bracket dimensions				
									M	U	W	X	Y
1	1/8, 1/4	19	43	21	61 (67)	30	9.5	20	12.8	46	36	11	6
2	1/4, 3/8	22	45	22.5	74.5 (82.5)	35	10.5	22	19	56	46	13	7
3	1/4, 3/8	22	45	22.5	79 (88)	40	10.5	24.5	19	56	46	13	7
	1/2	29.5	50	25	85.5	40	14	24.5	—	—	—	—	—

Size	Port size P	Electrical entry							
		Grommet				Conduit terminal			
		Q	R	Q	R	S	T	Q	R
1	1/8, 1/4	27	42 (47.5)	108	36 (41.5)	77	77 (83)	47.5	36 (41.5)
2	1/4, 3/8	29.5	53.5 (61.5)	110.5	47 (55)	79.5	89.5 (97.5)	50	47 (55)
3	1/4, 3/8	32	57.5 (66)	113	51.5 (59.5)	82	94 (103)	52.5	51.5 (59.5)
	1/2	32	61	113	55	82	100.5	52.5	55

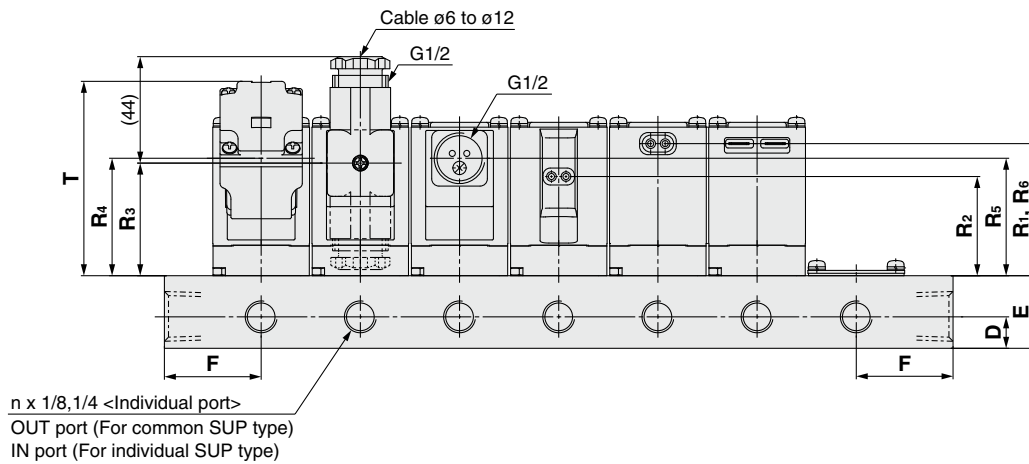
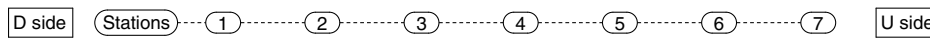
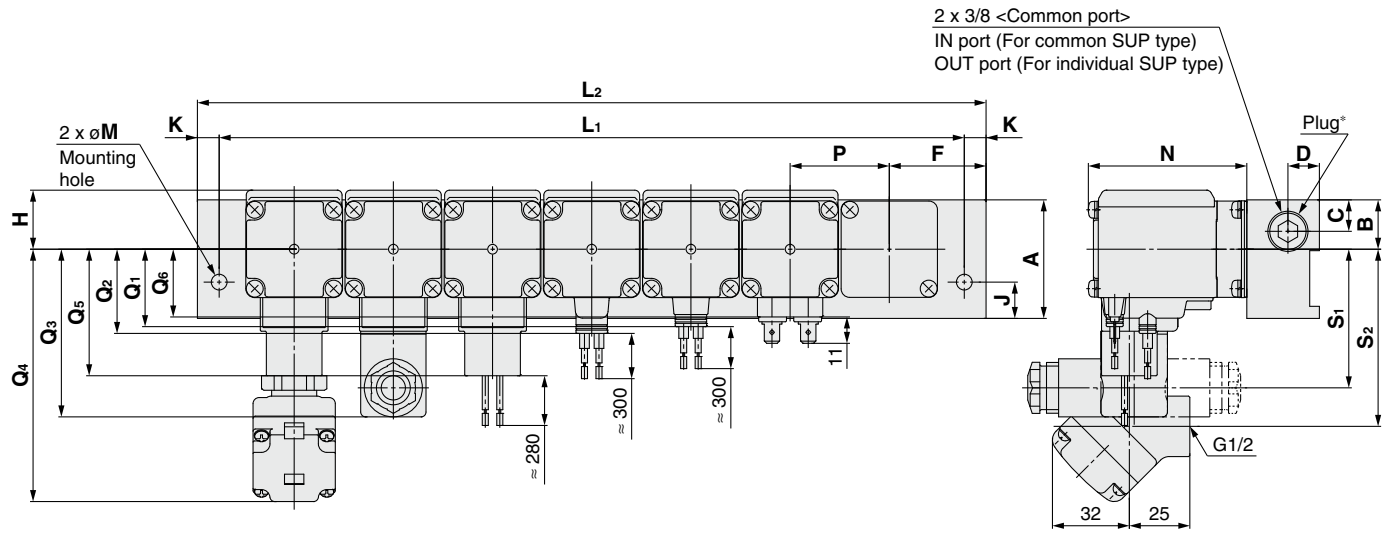
() : Denotes the Normally Open (N.O.) dimensions.

DIN terminal and Faston terminal are not available for valves for steam and heated water.

Direct Operated 2 Port Solenoid Valve Series VX21/22/23



Dimensions/Manifold/Base Material: Aluminum



- Specifications
- For Air
- For Medium Vacuum
- For Water
- For Oil
- For Steam
- Construction
- Dimensions

(mm)

Size	Dimensions	n (stations)									
		2	3	4	5	6	7	8	9	10	
1	L ₁	86	122	158	194	230	266	302	338	374	
	L ₂	100	136	172	208	244	280	316	352	388	
2	L ₁	90	126	162	198	234	270	306	342	378	
	L ₂	108	144	180	216	252	288	324	360	396	
3	L ₁	103	144	185	226	267	308	349	390	431	
	L ₂	121	162	203	244	285	326	367	408	449	

Size	A	B	C	D	E	F	H	J	K	M	N	P
1	38	15.5	10.5	11	25	32	20	12	7	6.5	50.5 (56.5)	36
2	49	18	13	13	30	36	22	15	9	8.5	60.5 (68.5)	36
3	49	20.5	13	13	30	40	24.5	15	9	8.5	65.5 (73.5)	41

Size	Grommet		Grommet (With surge voltage suppressor)		DIN terminal*			Conduit terminal				Conduit		Faston terminal	
	Q ₁	R ₁	Q ₂	R ₂	Q ₃	R ₃	S ₁	Q ₄	R ₄	S ₂	T	Q ₅	R ₅	Q ₆	R ₆
1	27	40.5 (46.5)	30	27 (33)	64.5	32.5 (38.5)	52.5	99.5	34.5 (40.5)	68.5	66.5 (72)	47.5	34.5 (40.5)	23	40.5 (46.5)
2	29.5	49.5 (57.5)	32.5	36 (44)	67	41.5 (49.5)	55	102	43.5 (51.5)	71	75.5 (83.5)	50	43.5 (51.5)	25.5	49.5 (57.5)
3	32	54.5 (63)	35	41 (49)	69.5	46.5 (55)	57.5	104.5	48.5 (57)	73.5	80.5 (89.5)	52.5	48.5 (57)	28	54.5 (63)

() : Denotes the Normally Open (N.O.) dimensions.

* When using a DIN terminal that faces downward, be careful of interference in the electrical wires and piping.

Series VX21/22/23



For Air, Medium Vacuum, Water, Oil

Replacement Parts

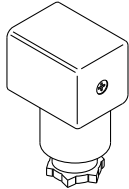
- DIN Connector Part No.

Without electrical option

C18312G6GCU

With electrical option (light)

GDM2A-L



Electrical option

L	With light
---	------------

Rated voltage

1	100 VAC, 110 VAC
2	200 VAC, 220 VAC 230 VAC, 240 VAC
5	24 VDC, 24 VAC
6	12 VDC
15	48 VAC

- Gasket for DIN Connector

VCW20-1-29-1

- Lead Wire Assembly for Faston Terminal (Set of 2 pcs.)

VX021S-1-16FB

Series VX21/22/23

Glossary of Terms

Pressure Terminology

1. Maximum operating pressure differential

The maximum pressure differential (the difference between the inlet and outlet pressure) which is allowed for operation. When the outlet pressure is 0 MPa, this becomes the maximum operating pressure.

2. Minimum operating pressure differential

The minimum pressure differential (the difference between the inlet pressure and outlet pressure) required to keep the main valve fully opened.

3. Maximum system pressure

The maximum pressure that can be applied inside the pipelines (line pressure).

[The pressure differential in the solenoid valve portion must be less than the maximum operating pressure differential.]

4. Withstand pressure

The pressure in which the valve must be withstood without a drop in performance after holding for one minute under prescribed (static) pressure and returning to the operating pressure range. [value under the prescribed conditions]

Electrical Terminology

1. Surge voltage

A high voltage which is momentarily generated by shutting off the power in the shut-off area.

2. Enclosure

A degree of protection defined in the "JIS C 0920: Waterproof test of electric machinery/appliance and the degree of protection against the intrusion of solid foreign objects."

Verify the degree of protection for each product.



● First Characteristics:

Degrees of protection against solid foreign objects

0	Non-protected
1	Protected against solid foreign objects of 50 mmø and greater
2	Protected against solid foreign objects of 12 mmø and greater
3	Protected against solid foreign objects of 2.5 mmø and greater
4	Protected against solid foreign objects of 1.0 mmø and greater
5	Dust-protected
6	Dust-tight

● Second Characteristics:

Degrees of protection against water

0	Non-protected	—
1	Protected against vertically falling water drops	Drip-proof type 1
2	Protected against vertically falling water drops when enclosure tilted up to 15°	Drip-proof type 2
3	Protected against rainfall when enclosure tilted up to 60°	Rain-proof type
4	Protected against splashing water	Splash-proof type
5	Protected against water jets	Water-jet-proof type
6	Protected against powerful water jets	Powerful water-jet-proof type
7	Protected against the effects of temporary immersion in water	Immersion type
8	Protected against the effects of continuous immersion in water	Submersible type

Example) IP65: Dust-tight, Water-jet-proof type

"Water-jet-proof type" means that no water intrudes inside an equipment that could hinder from operating normally by means of applying water for 3 minutes in the prescribed manner. Take appropriate protection measures, since a device is not usable in an environment where a droplet of water is splashed constantly.

Others

1. Material

NBR: Nitrile rubber

FKM: Fluoro rubber – Trade names: Viton®, Dai-el®, etc.

2. Oil-free treatment

The degreasing and washing of wetted parts

3. Passage symbol

In the JIS symbol (IZTTM) IN and OUT are in a blocked condition(±), but actually in the case of reverse pressure (OUT>IN), there is a limit to the blocking.

Faston Terminal

1. Faston™ is a trademark of Tyco Electronics Corp.

2. For electrical connection of the Faston terminal and molded coil, please use Tyco's "Amp/Faston connector/250 Series" or the equivalent.

Solenoid Valve Flow-rate Characteristics 1

(How to indicate flow-rate characteristics)

1. Indication of flow-rate characteristics

The flow-rate characteristics in equipment such as a solenoid valve, etc. are indicated in their specifications as shown in Table (1).

Table (1) Indication of Flow-rate Characteristics

Corresponding equipment	Indication by international standard	Other indications	Conformed standard
Pneumatic equipment	C, b	—	ISO 6358: 1989 JIS B 8390: 2000
	—	S	JIS B 8390: 2000 Equipment: JIS B 8373, 8374, 8375, 8379, 8381
		Cv	ANSI/(NFPA)T3.21.3: 1990
Process fluid control equipment	Av	—	IEC60534-2-3: 1997 JIS B 2005: 1995
	—	Cv	Equipment: JIS B 8471, 8472, 8473

2. Pneumatic equipment

2.1 Indication according to the international standards

(1) Conformed standard

ISO 6358: 1989 : Pneumatic fluid power—Components using compressible fluids—Determination of flow-rate characteristics

JIS B 8390: 2000 : Pneumatic fluid power—Components using compressible fluids—How to test flow-rate characteristics

(2) Definition of flow-rate characteristics

The flow-rate characteristics are indicated as a result of a comparison between sonic conductance **C** and critical pressure ratio **b**.

Sonic conductance **C** : Value which divides the passing mass flow rate of an equipment in a choked flow condition by the product of the upstream absolute pressure and the density in a standard condition.

Critical pressure ratio **b** : Pressure ratio (downstream pressure/upstream pressure) which will turn to a choked flow when the value is smaller than this ratio.

Choked flow : The flow in which the upstream pressure is higher than the downstream pressure and where sonic speed in a certain part of an equipment is reached.

Gaseous mass flow rate is in proportion to the upstream pressure and not dependent on the downstream pressure.

Subsonic flow : Flow greater than the critical pressure ratio

Standard condition : Air in a temperature state of 20°C, absolute pressure 0.1 MPa (= 100 kPa = 1 bar), relative humidity 65%.

It is stipulated by adding the “(ANR)” after the unit depicting air volume. (standard reference atmosphere)

Conformed standard: ISO 8778: 1990 Pneumatic fluid power—Standard reference atmosphere, JIS B 8393: 2000: Pneumatic fluid power—Standard reference atmosphere

(3) Formula for flow rate

Described by the practical units as following.

When $\frac{P_2 + 0.1}{P_1 + 0.1} \leq b$, **choked flow**

$$Q = 600 \times C (P_1 + 0.1) \sqrt{\frac{293}{273 + t}} \dots\dots\dots(1)$$

When $\frac{P_2 + 0.1}{P_1 + 0.1} > b$, **subsonic flow**

$$Q = 600 \times C (P_1 + 0.1) \sqrt{1 - \left[\frac{P_2 + 0.1}{P_1 + 0.1} - b \right]^2} \sqrt{\frac{293}{273 + t}} \dots\dots\dots(2)$$

Q: Air flow rate [dm³/min (ANR)], dm³ (Cubic decimeter) of SI unit are allowed to be described by L (liter).

1 dm³ = 1 L

C : Sonic conductance [$\text{dm}^3/(\text{s}\cdot\text{bar})$]

b : Critical pressure ratio [—]

P₁ : Upstream pressure [MPa]

P₂ : Downstream pressure [MPa]

t : Temperature [$^{\circ}\text{C}$]

Note) Formula of subsonic flow is the elliptic analogous curve.

Flow-rate characteristics are shown in Graph (1) For details, please make use of SMC's "Energy Saving Program".

Example)

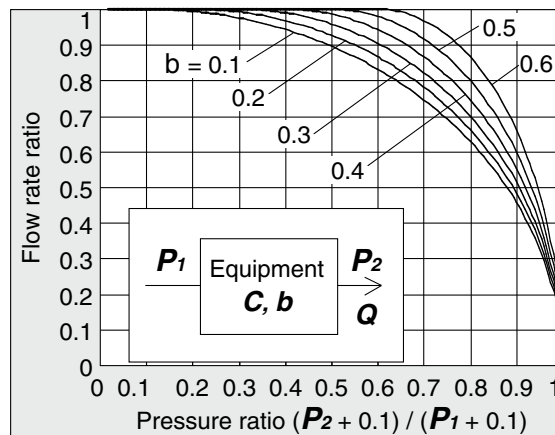
Obtain the air flow rate for **P₁** = 0.4 [MPa], **P₂** = 0.3 [MPa], **t** = 20 [$^{\circ}\text{C}$] when a solenoid valve is performed in **C** = 2 [$\text{dm}^3/(\text{s}\cdot\text{bar})$] and **b** = 0.3.

According to formula (1), the maximum flow rate = $600 \times 2 \times (0.4 + 0.1) \times \sqrt{\frac{293}{273 + 20}} = 600$ [dm^3/min (ANR)]

$$\text{Pressure ratio} = \frac{0.3 + 0.1}{0.4 + 0.1} = 0.8$$

Based on Graph (1), the flow rate ratio will be 0.7 when the pressure ratio is 0.8 and **b** = 0.3.

Therefore, flow rate = Maximum flow rate x flow rate ratio = $600 \times 0.7 = 420$ [dm^3/min (ANR)]



Graph (1) Flow-rate characteristics

(4) Test method

Attach a test equipment with the test circuit shown in Fig. (1) while maintaining the upstream pressure to a certain level which does not go below 0.3 MPa. Next, measure the maximum flow to be saturated in the first place, then measure this flow rate at 80%, 60%, 40%, 20% and the upstream and downstream pressure. And then, obtain the sonic conductance **C** from this maximum flow rate. Besides that, substitute each data of others for the subsonic flow formula to find **b**, then obtain the critical pressure ratio **b** from that average.

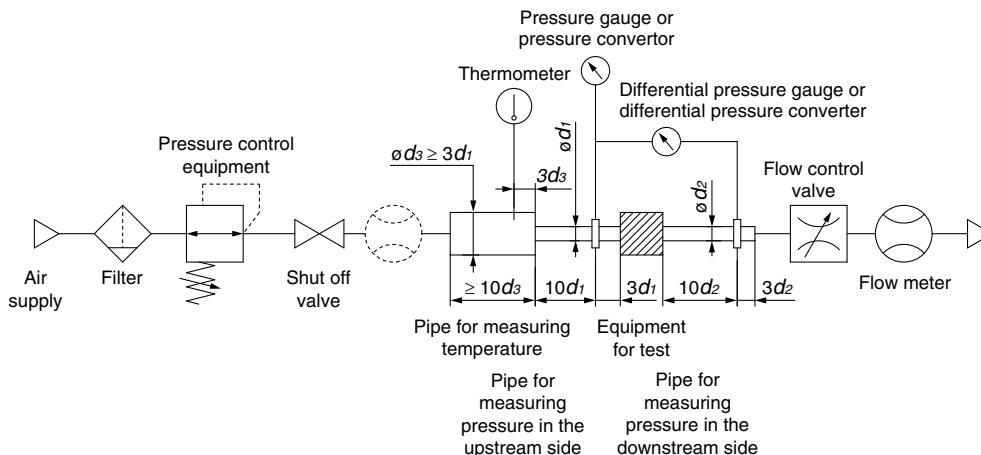


Fig. (1) Test circuit based on ISO 6358, JIS B 8390

Solenoid Valve Flow-rate Characteristics 2

(How to indicate flow-rate characteristics)

2.2 Effective area **S**

(1) Conformed standard

JIS B 8390: 2000: Pneumatic fluid power—Components using compressible fluids—How to test flow-rate characteristics

Equipment standards: JIS B 8373: 2 port solenoid valve for pneumatics

JIS B 8374: 3 port solenoid valve for pneumatics

JIS B 8375: 4 port, 5 port solenoid valve for pneumatics

JIS B 8379: Silencer for pneumatics

JIS B 8381: Fittings of flexible joint for pneumatics

(2) Definition of flow-rate characteristics

Effective area **S**: The cross-sectional area having an ideal throttle without friction or without reduced flow. It is deduced from the calculation of the pressure changes inside an air tank when discharging the compressed air in a choked flow, from an equipment attached to the air tank. This is the same concept representing the “easy to run through” as sonic conductance **C**.

(3) Formula for flow rate

When $\frac{P_2 + 0.1}{P_1 + 0.1} \leq 0.5$, **choked flow**

$$Q = 120 \times S (P_1 + 0.1) \sqrt{\frac{293}{273 + t}} \dots\dots\dots(3)$$

When $\frac{P_2 + 0.1}{P_1 + 0.1} > 0.5$, **subsonic flow**

$$Q = 240 \times S \sqrt{(P_2 + 0.1) (P_1 - P_2)} \sqrt{\frac{293}{273 + t}} \dots\dots\dots(4)$$

Conversion with sonic conductance **C**:

$$S = 5.0 \times C \dots\dots\dots(5)$$

Q : Air flow rate [dm³/min(ANR)], dm³ (cubic decimeter) of SI unit are allowed to be described by L (liter).
1 dm³ = 1 L

S : Effective area [mm²]

P₁ : Upstream pressure [MPa]

P₂ : Downstream pressure [MPa]

t : Temperature [°C]

Note) Formula for subsonic flow (4) is only applicable when the critical pressure ratio **b** is unknown for equipment. In the formula (2) by the sonic conductance **C**, it is the same formula as when **b** = 0.5.

(4) Test method

Attach a test equipment with the test circuit shown in Fig. (2) in order to discharge air into the atmosphere until the pressure inside the air tank goes down to 0.25 MPa (0.2 MPa) from an air tank filled with the compressed air at a certain pressure level (0.5 MPa) which does not go below 0.6 MPa. At this time, measure the discharging time and the residual pressure inside the air tank which had been left until it turned to be the normal values to determine the effective area **S**, using the following formula. The volume of an air tank should be selected within the specified range by corresponding to the effective area of an equipment for test. In the case of JIS B 8373, 8374, 8375, 8379, 8381, the pressure values are in parentheses and the coefficient of the formula is 12.9.

$$S = 12.1 \frac{V}{t} \log_{10} \left(\frac{P_s + 0.1}{P + 0.1} \right) \sqrt{\frac{293}{T}} \dots\dots\dots(6)$$

S : Effective area [mm²]

V : Air tank capacity [dm³]

t : Discharging time [s]

P_s : Pressure inside air tank before discharging [MPa]

P : Residual pressure inside air tank after discharging [MPa]

T : Temperature inside air tank before discharging [K]

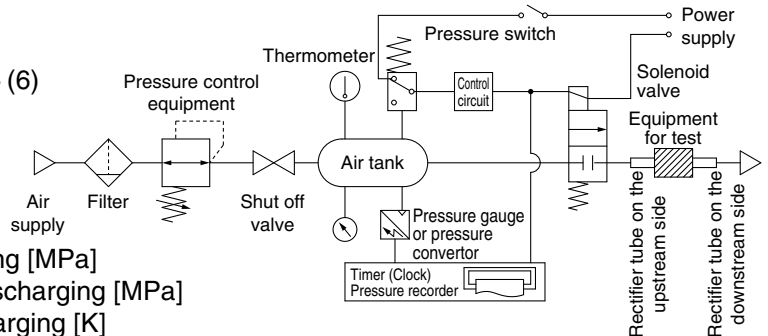


Fig. (2) Test circuit based on JIS B 8390

2.3 Flow coefficient **C_v** factor

The United States Standard ANSI/(NFPA)T3.21.3: 1990: Pneumatic fluid power—Flow rating test procedure and reporting method-For fixed orifice components

Defines the flow coefficient, **C_v** factor by the following formula which is based on the test conducted by the test circuit analogous to ISO 6358.

$$C_v = \frac{Q}{114.5 \sqrt{\frac{\Delta P (P_2 + P_a)}{T_1}}} \dots\dots\dots(7)$$

ΔP : Pressure drop between the static pressure tapping ports [bar]

P₁ : Pressure of the upstream tapping port [bar gauge]

P₂ : Pressure of the downstream tapping port [bar gauge]: **P₂ = P₁ - ΔP**

Q : Flow rate [dm³/s standard condition]

P_a : Atmospheric pressure [bar absolute]

T₁ : Upstream absolute temperature [K]

Test conditions are **P₁ + P_a = 6.5 ± 0.2 bar absolute**, **T₁ = 297 ± 5 K**, **0.07 bar ≤ ΔP ≤ 0.14 bar**.

This is the same concept as effective area **A** which ISO 6358 stipulates as being applicable only when the pressure drop is smaller than the upstream pressure and the compression of air does not become a problem.

3. Process fluid control equipment

(1) Conformed standard

IEC60534-2-3: 1997: Industrial-process control valves. Part 2: Flow capacity, Section Three-Test procedures

JIS B 2005: 1995: How to test flow coefficient of a valve

Equipment standards: JIS B 8471: Solenoid valve for water

JIS B 8472: Solenoid valve for steam

JIS B 8473: Solenoid valve for fuel oil

(2) Definition of flow-rate characteristics

Av factor: Value of the clean water flow rate represented by m³/s which runs through a valve (equipment for test) when the pressure differential is 1 Pa. It is calculated using the following formula.

$$Av = Q \sqrt{\frac{\rho}{\Delta P}} \dots\dots\dots(8)$$

Av : Flow coefficient [m²]

Q : Flow rate [m³/s]

ΔP : Pressure differential [Pa]

ρ : Fluid density [kg/m³]

(3) Formula for flow rate

Described by the practical units. Also, the flow-rate characteristics are shown in Graph (2).

In the case of liquid:

$$Q = 1.9 \times 10^6 Av \sqrt{\frac{\Delta P}{G}} \dots\dots\dots(9)$$

Q : Flow rate [L/min]

Av : Flow coefficient [m²]

ΔP : Pressure differential [MPa]

G : Specific gravity [water = 1]

In the case of saturated steam:

$$Q = 8.3 \times 10^6 Av \sqrt{\Delta P (P_2 + 0.1)} \dots\dots\dots(10)$$

Q : Flow rate [kg/h]

Av : Flow coefficient [m²]

ΔP : Pressure differential [MPa]

P₁ : Upstream pressure [MPa]: **ΔP = P₁ - P₂**

P₂ : Downstream pressure [MPa]

Solenoid Valve Flow-rate Characteristics 3

(How to indicate flow-rate characteristics)

Conversion of flow coefficient:

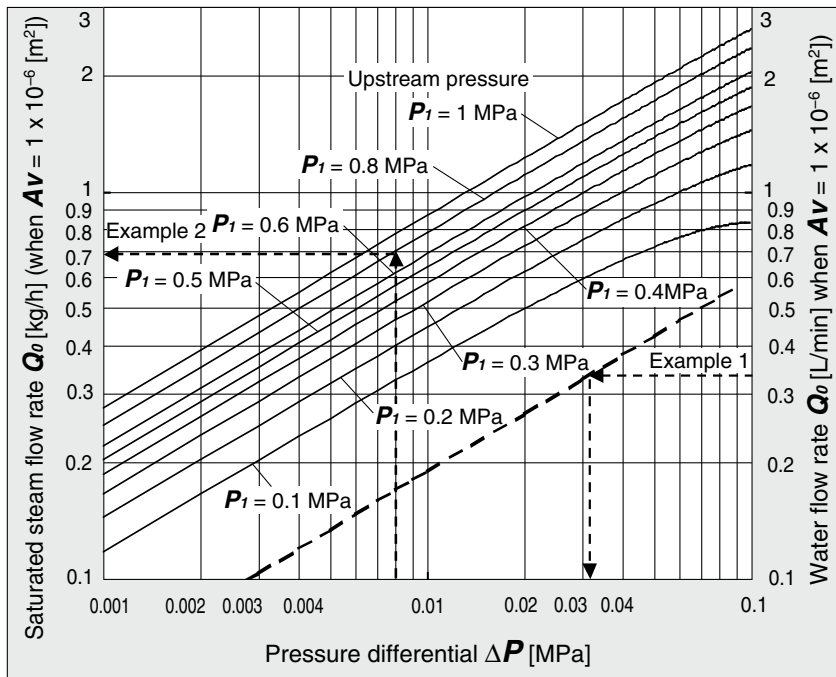
$$Av = 28 \times 10^{-6} Kv = 24 \times 10^{-6} Cv \dots\dots\dots(11)$$

Here,

Kv factor : Value of the clean water flow rate represented by m³/h which runs through a valve at 5 to 40°C, when the pressure differential is 1 bar.

Cv factor (Reference values): Value of the clean water flow rate represented by US gal/min which runs through a valve at 60°F, when the pressure differential is 1 lbf/in² (psi).

Value is different from **Kv** and **Cv** factors for pneumatic purpose due to different test method.



Graph (2) Flow-rate characteristics

Example 1)

Obtain the pressure differential when water 15 [L/min] runs through a solenoid valve with an **Av** = 45 × 10⁻⁶ [m²]. Since **Q₀** = 15/45 = 0.33 [L/min], according to Graph (2), if reading **ΔP** when **Q₀** is 0.33, it will be 0.031 [MPa].

Example 2)

Obtain the saturated steam flow rate when **P₁** = 0.8 [MPa], **ΔP** = 0.008 [MPa] with a solenoid valve with an **Av** = 1.5 × 10⁻⁶ [m²].

According to Graph (2), if reading **Q₀** when **P₁** is 0.8 and **ΔP** is 0.008, it is 0.7 [kg/h]. Therefore, the flow rate **Q** = 0.7 × 1.5 = 1.05 [kg/h].

(4) Test method

Attach a test equipment with the test circuit shown in Fig. (3). Next, pour water at 5 to 40°C, then measure the flow rate with a pressure differential of 0.075 MPa. However, the pressure differential needs to be set with a large enough difference so that the Reynolds number does not go below a range of 4 × 10⁴.

By substituting the measurement results for formula (8) to figure out **Av**.

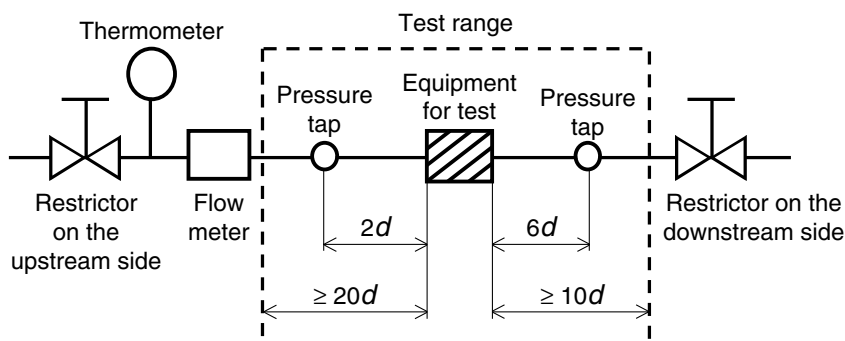


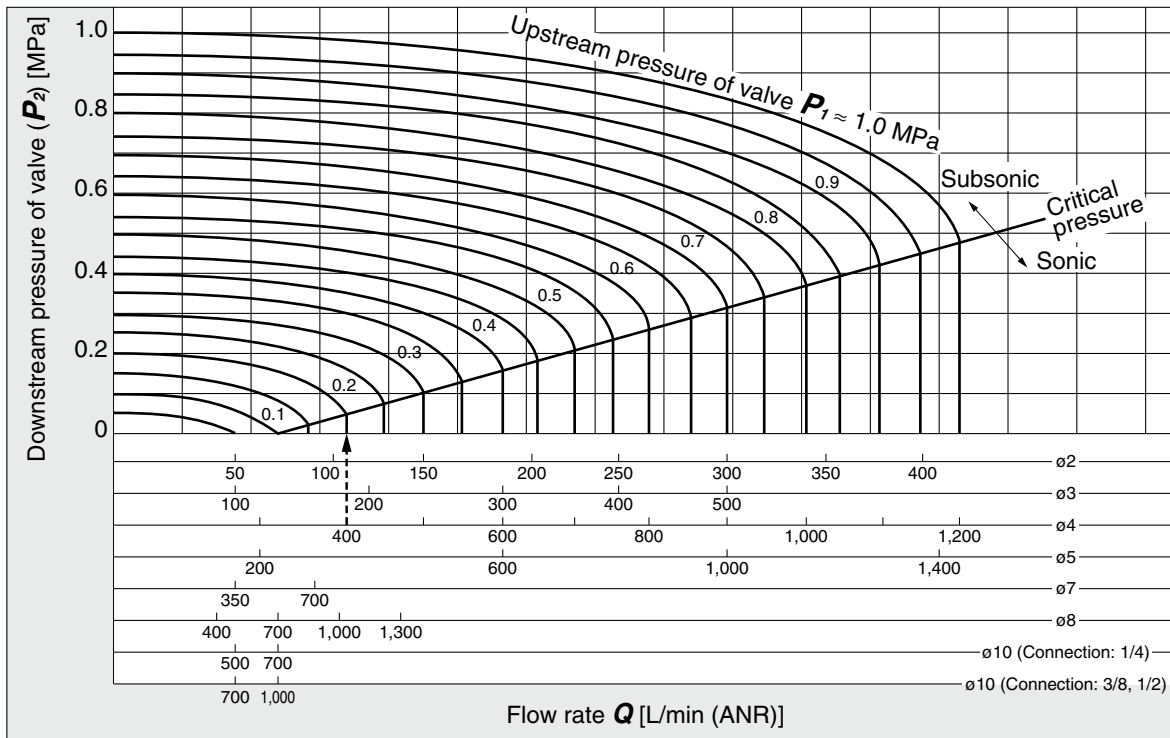
Fig. (3) Test circuit based on IEC60534-2-3, JIS B 2005

Series VX21/22/23

Flow-rate Characteristics 1

Note) Use this graph as a guide. In the case of obtaining an accurate flow rate, refer to pages 32 through to 35.

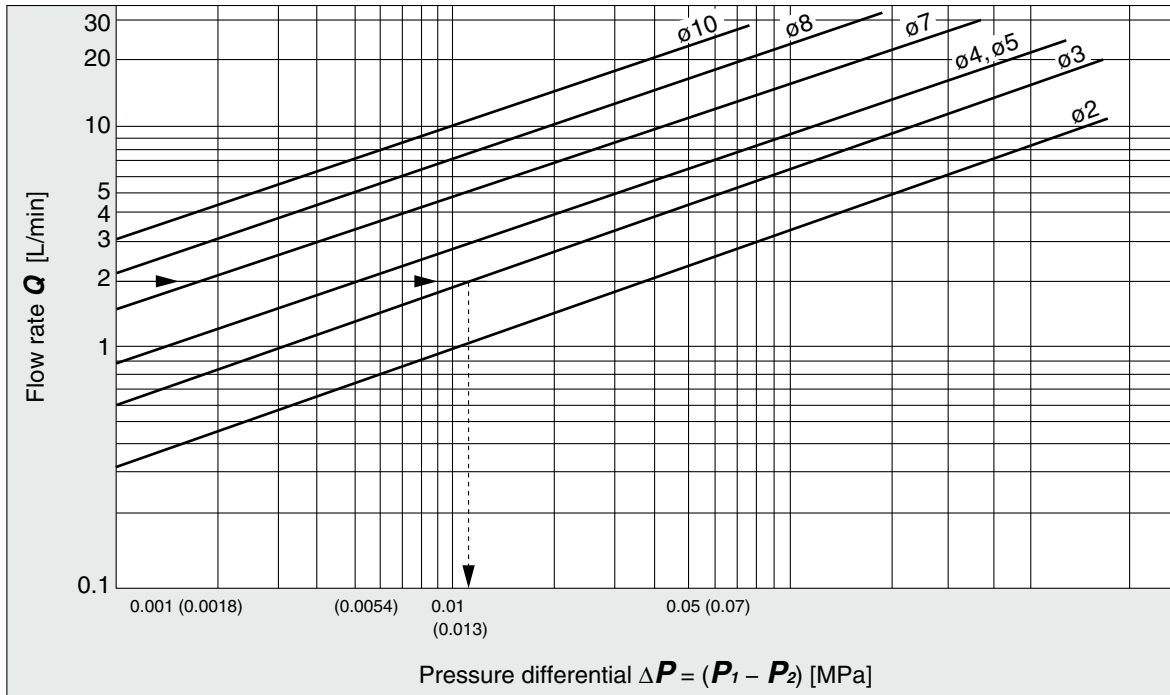
For Air



How to read the graph

The sonic range pressure to generate a flow rate of 400 L/min (ANR) is $P_1 \approx 0.2$ MPa for a ø4 orifice and $P_1 \approx 0.58$ MPa for a ø3 orifice.

For Water



How to read the graph

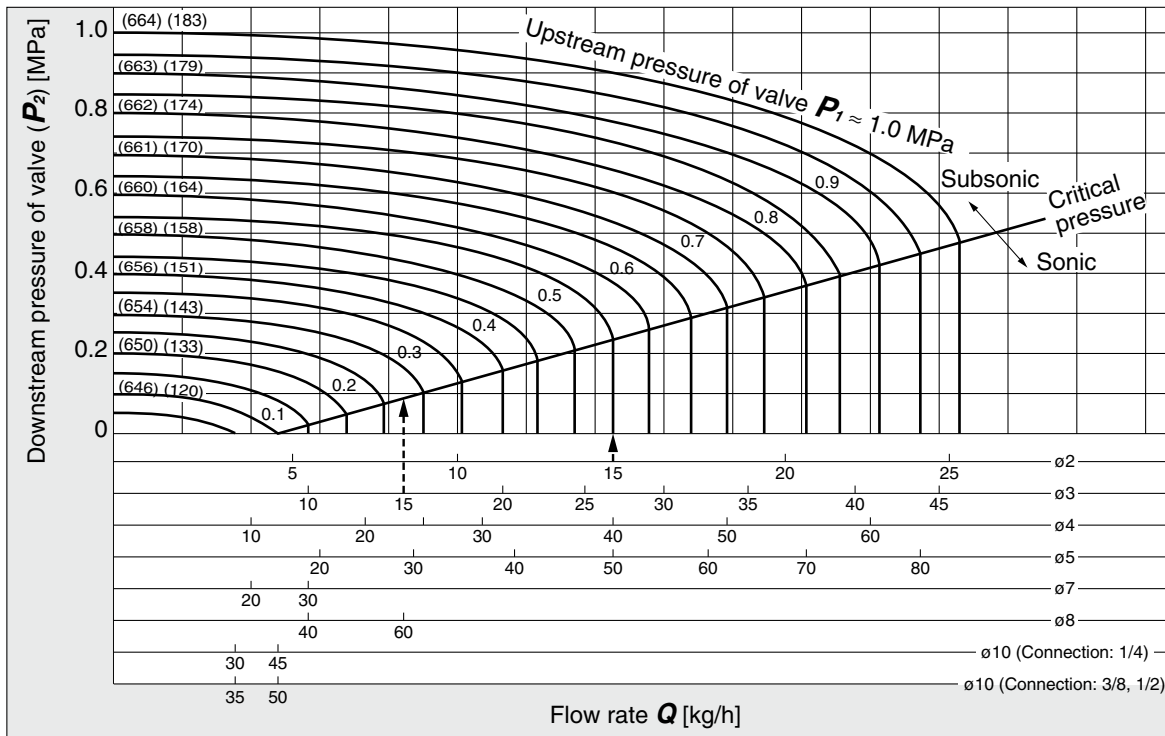
When a water flow of 2 L/min is generated, $\Delta P \approx 0.013$ MPa for a valve with ø3 orifice.

Series VX21/22/23

Flow-rate Characteristics 2

Note) Use this graph as a guide. In the case of obtaining an accurate flow rate, refer to pages 32 through to 35.

For Saturated Steam



How to read the graph

The sonic range pressure to generate a flow rate of 15 kg/h is $P_1 \approx 0.55$ MPa for a $\phi 2$ orifice and $P_1 \approx 0.28$ MPa for a $\phi 3$ orifice.

The amount of potential heat varies somewhat based on the pressure P_1 . At 15 kg/h, there will be approximately 9700 kcal/h of heat.



Series VX21/22/23 Specific Product Precautions 1

Be sure to read before handling.

Refer to back cover for Safety Instructions, "Handling Precautions for SMC Products" (M-E03-3) and the Operation Manual for 2 Port Solenoid Valves for Fluid Control Precautions. Please download it via our website, <http://www.smcworld.com>

Design

⚠ Design

- 1. Cannot be used as an emergency shutoff valve, etc.**
The valves presented in this catalog are not designed for safety applications such as an emergency shutoff valve. If the valves are used in this type of system, other reliable safety assurance measures should also be adopted.
- 2. Extended periods of continuous energization**
The solenoid coil will generate heat when continuously energized. Avoid using in a tightly shut container. Install it in a well-ventilated area. Furthermore, do not touch it while it is being energized or right after it is energized.
- 3. Liquid rings**
In cases with a flowing liquid, provide a bypass valve in the system to prevent the liquid from entering the liquid seal circuit.
- 4. Actuator drive**
When an actuator, such as a cylinder, is to be driven using a valve, take appropriate measures to prevent potential danger caused by actuator operation.
- 5. Pressure (including vacuum) holding**
It is not usable for an application such as holding the pressure (including vacuum) inside of a pressure vessel because air leakage is entailed in a valve.
- 6. When the conduit type is used as equivalent to an IP65 enclosure, install a wiring conduit, etc.**
- 7. When an impact, such as water hammer, etc., caused by the rapid pressure fluctuation is applied, the solenoid valve may be damaged. Give an attention to it.**

Selection

⚠ Warning

- 1. Fluid**
 - 1) Type of fluid**
Before using a fluid, check whether it is compatible with the materials of each model by referring to the fluids listed in this catalog. Use a fluid with a kinematic viscosity of 50 mm²/s or less. If there is something you do not know, please contact SMC.
 - 2) Flammable oil, Gas**
Check the specifications for leakage in the interior and/or exterior area.
 - 3) Corrosive gas**
Cannot be used since it will lead to cracks by stress corrosion or result in other incidents.
 - Depending on water quality, a brass body can cause corrosion and internal leakage may occur. If such abnormalities occur, exchange the product for a stainless steel body.
 - Use an oil-free specification when any oily particle must not enter the passage.
 - Applicable fluid on the list may not be used depending on the operating condition. Give adequate confirmation, and then determine a model, just because the compatibility list shows the general case.

Selection

⚠ Warning

2. Fluid quality

<Air>

1) Use clean air.

Do not use compressed air that contains chemicals, synthetic oils including organic solvents, salt or corrosive gases, etc., as it can cause damage or malfunction.

2) Install an air filter.

Install an air filter close to the valve on the upstream side. A filtration degree of 5 μm or less should be selected.

3) Install an aftercooler or air dryer, etc.

Compressed air that contains excessive drainage may cause malfunction of valves and other pneumatic equipment. To prevent this, install an aftercooler or air dryer, etc.

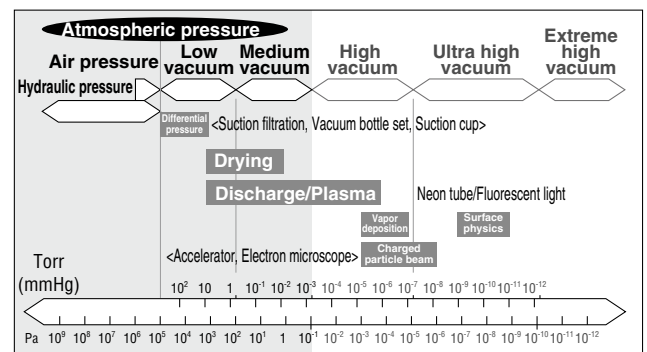
4) If excessive carbon powder is generated, eliminate it by installing a mist separator on the upstream side of valves.

If excessive carbon powder is generated by the compressor, it may adhere to the inside of the valves and cause a malfunction.

Refer to Best Pneumatics No.5 for details on compressed air quality.

<Vacuum>

Please be aware that there is a range of pressure that can be used.



Vacuum piping direction: if the system uses a vacuum pump, we ask that you install the vacuum pump on the secondary side. Also, install a filter on the primary side, and be careful that no foreign material is picked up.

Please replace the valve after operating the device approximately 300,000 times.



Series VX21/22/23 Specific Product Precautions 2

Be sure to read before handling.

Refer to back cover for Safety Instructions, "Handling Precautions for SMC Products" (M-E03-3) and the Operation Manual for 2 Port Solenoid Valves for Fluid Control Precautions. Please download it via our website, <http://www.smcworld.com>

Selection

Warning

<Water>

The use of a fluid that contains foreign objects can cause problems such as malfunction and seal failure by promoting wear of the valve seat and armature, and by sticking to the sliding parts of the armature, etc. Install a suitable filter (strainer) immediately upstream from the valve. As a general rule, use 80 to 100 mesh.

The supply water includes materials that create a hard sediment or sludge such as calcium and magnesium. Sediment and sludge can cause the valve to not operate properly. Therefore, install a water softening device, which removes these materials, and a filter (strainer) directly in front of the valve.

Tap water pressure:

The water pressure for tap water is normally 0.4 MPa or less. However, in places like a high-rise building, the pressure may be 1.0 MPa. When selecting tap water, be careful of the maximum operating pressure differential.

When using water or heated water, poor operation or leaks may be caused by dezincification, erosion, corrosion, etc. The brass (C37) body of this product uses dezincification-resistant material as a standard. We also offer a stainless steel body type with improved corrosion resistance. Please use the one that fits your needs.

<Oil>

Generally, FKM is used as seal material, as it is resistant to oil. The resistance of the seal material may deteriorate depending on the type of oil, manufacturer or additives. Check the resistance before using. The kinematic viscosity must not exceed 50 mm²/s

<Steam>

The use of a steam that contains foreign objects can cause problems such as malfunction and seal failure by promoting wear of the valve seat and armature, and by sticking to the sliding parts of the armature, etc. Install a suitable filter (strainer) immediately upstream from the valve.

As a standard, the mesh count for the strainer is 100 mesh. However, the size and shape of foreign objects that occur depends on the operating environment. Check the fluid status and choose an appropriate mesh count.

The supply water to a boiler includes materials that create a hard sediment or sludge such as calcium and magnesium.

Sediment and sludge from steam can cause the valve to not operate properly. Install a water softening device, which removes these materials. Do not use operation steam which contains chemicals, synthetic oils containing organic solvents, salts or corrosive gases, etc., as these can cause damage or deterioration.

3. Ambient environment

Use within the operable ambient temperature range. Check the compatibility between the product's composition materials and the ambient atmosphere. Be certain that the fluid used does not touch the external surface of the product.

4. Countermeasures against static electricity

Take measures to prevent static electricity since some fluids can cause static electricity.

Selection

Warning

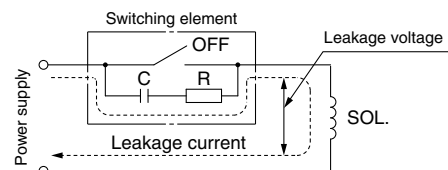
5. Low temperature operation

- 1) The valve can be used in an ambient temperature of between -20 to -10°C. However, take measures to prevent freezing or solidification of impurities, etc.
- 2) When using valves for water application in cold climates, take appropriate countermeasures to prevent the water from freezing in tubing after cutting the water supply from the pump, by draining the water, etc. When warming by a heater, etc., be careful not to expose the coil portion to a heater. Installation of a dryer, heat retaining of the body is recommended to prevent a freezing condition in which the dew point temperature is high and the ambient temperature is low, and the high flow runs.

Caution

1. Leakage voltage

Particularly when using a resistor in parallel with a switching element and using a C-R element (surge voltage suppressor) to protect the switching element, take note that leakage current will flow through the resistor, C-R element, etc., creating a possible danger that the valve may not turn off.



AC/Class B built-in full-wave rectifier coil: 10% or less of rated voltage
DC coil: 2% or less of rated voltage

2. Selecting model

Material depends on fluid. Select optimal models for the fluid.

3. When the fluid is oil.

The kinematic viscosity must not exceed 50 mm²/s.

Mounting

Warning

1. If air leakage increases or equipment does not operate properly, stop operation.

After mounting is completed, confirm that it has been done correctly by performing a suitable function test.

2. Do not apply external force to the coil section.

When tightening is performed, apply a wrench or other tool to the outside of the piping connection parts.

3. Mount a valve with its coil position upward, not downward.

When mounting a valve with its coil positioned downward, foreign objects in the fluid will adhere to the iron core leading to a malfunction. Especially for strict leakage control, such as with vacuum applications and non-leak specifications, the coil must be positioned upward.

4. Do not warm the coil assembly with a heat insulator, etc.

Use tape, heaters, etc., for freeze prevention on the piping and body only. They can cause the coil to burn out.



Series VX21/22/23 Specific Product Precautions 3

Be sure to read before handling.

Refer to back cover for Safety Instructions, "Handling Precautions for SMC Products" (M-E03-3) and the Operation Manual for 2 Port Solenoid Valves for Fluid Control Precautions. Please download it via our website, <http://www.smcworld.com>

Mounting

Warning

- Secure with brackets, except in the case of steel piping and copper fittings.
- Avoid sources of vibration, or adjust the arm from the body to the minimum length so that resonance will not occur.
- Painting and coating
Warnings or specifications printed or labeled on the product should not be erased, removed or covered up.

Piping

Warning

- During use, deterioration of the tube or damage to the fittings could cause tubes to come loose from their fittings and thrash about.
To prevent uncontrolled tube movement, install protective covers or fasten tubes securely in place.
- For piping the tube, fix the product securely using the mounting holes so that the product is not in the air.

Caution

- Preparation before piping
Before piping is connected, it should be thoroughly blown out with air (flushing) or washed to remove chips, cutting oil and other debris from inside the pipe.
Install piping so that it does not apply pulling, pressing, bending or other forces on the valve body.
- Avoid connecting ground lines to piping, as this may cause electric corrosion of the system.
- Tighten threads with the proper tightening torque.
When attaching fittings to valves, tighten with the proper tightening torque shown below.

Tightening Torque for Piping

Connection thread	Proper tightening torque (N·m)
Rc1/8	7 to 9
Rc1/4	12 to 14
Rc3/8	22 to 24
Rc1/2	28 to 30

- Connection of piping to products
When connecting piping to a product, refer to its operation manual to avoid mistakes regarding the supply port, etc.
- In applications such as vacuum and non-leak specifications, use caution specifically against the contamination of foreign objects or airtightness of the fittings.

Recommended Piping Conditions

- When connecting tubes using one-touch fittings, provide some spare tube length shown in Fig. 1, recommended piping configuration.
Also, do not apply external force to the fittings when binding tubes with bands, etc. (see Fig. 2.)

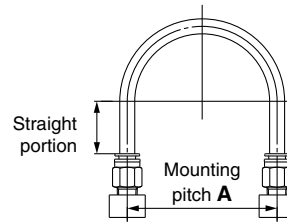


Fig. 1 Recommended piping configuration

Unit: mm

Tube size	Mounting pitch A			Straight portion length
	Nylon tube	Soft nylon tube	Polyurethane tube	
ø1/8"	44 or more	29 or more	25 or more	16 or more
ø6	84 or more	39 or more	39 or more	30 or more
ø1/4"	89 or more	56 or more	57 or more	32 or more
ø8	112 or more	58 or more	52 or more	40 or more
ø10	140 or more	70 or more	69 or more	50 or more
ø12	168 or more	82 or more	88 or more	60 or more

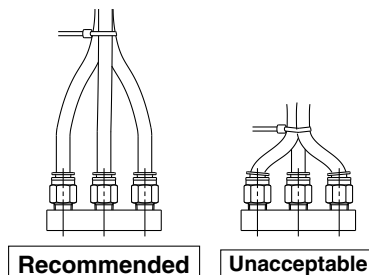


Fig. 2 Binding tubes with bands

Wiring

Caution

- As a rule, use electrical wire with a cross sectional area of 0.5 to 1.25 mm² for wiring.
Furthermore, do not allow excessive force to be applied to the lines.
- Use electrical circuits which do not generate chattering in their contacts.
- Use voltage which is within ±10% of the rated voltage. In cases with a DC power supply where importance is placed on responsiveness, stay within ±5% of the rated value. The voltage drop is the value in the lead wire section connecting the coil.
- When a surge from the solenoid affects the electrical circuitry, install a surge voltage suppressor, etc., in parallel with the solenoid. Or, adopt an option that comes with the surge voltage protection circuit. (However, a surge voltage occurs even if the surge voltage protection circuit is used. For details, please consult with SMC.)



Series VX21/22/23 Specific Product Precautions 4

Be sure to read before handling.

Refer to back cover for Safety Instructions, "Handling Precautions for SMC Products" (M-E03-3) and the Operation Manual for 2 Port Solenoid Valves for Fluid Control Precautions. Please download it via our website, <http://www.smcworld.com>

Operating Environment

Warning

1. Do not use in an atmosphere having corrosive gases, chemicals, sea water, water, water vapor, or where there is direct contact with any of these.
2. Do not use in explosive atmospheres.
3. Do not use in locations subject to vibration or impact.
4. Do not use in locations where radiated heat will be received from nearby heat sources.
5. Employ suitable protective measures in locations where there is contact with water droplets, oil or welding spatter, etc.

Maintenance

Warning

1. Removing the product

The valve will reach a high temperature when used with high temperature fluids. Confirm that the valve temperature has dropped sufficiently before performing work. If touched inadvertently, there is a danger of being burned.

- 1) Shut off the fluid supply and release the fluid pressure in the system.
- 2) Shut off the power supply.
- 3) Remove the product.

2. Low frequency operation

Switch valves at least once every 30 days to prevent malfunction. Also, in order to use it under the optimum state, conduct a regular inspection once a half year.

Caution

1. Filters and strainers

- 1) Be careful regarding clogging of filters and strainers.
- 2) Replace filter elements after one year of use, or earlier if the pressure drop reaches 0.1 MPa.
- 3) Clean strainers when the pressure drop reaches 0.1 MPa.

2. Lubrication

When using after lubricating, never forget to lubricate continuously.

3. Storage

In case of long term storage after use with heated water, thoroughly remove all moisture to prevent rust and deterioration of rubber materials, etc.

4. Exhaust the drainage from an air filter periodically.

Operating Precautions

Warning

1. If there is a possibility of reverse pressure being applied to the valve, take countermeasures such as mounting a check valve on the downstream side of the valve.
2. When problems are caused by a water hammer, install water hammer relief equipment (accumulator, etc.), or use an SMC water hammer relief valve (Series VXR). For details, please consult with SMC.

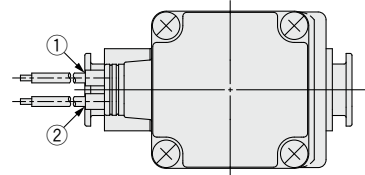
Electrical Connections

Caution

■ Grommet

Class B coil: AWG20 Outside insulator diameter of 2.5 mm

Class H coil: AWG18 Outside insulator diameter of 2.1 mm

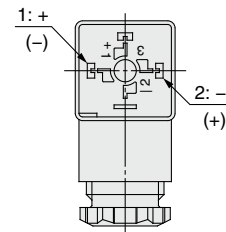


Rated voltage	Lead wire color	
	①	②
DC (Class B only)	Black	Red
100 VAC	Blue	Blue
200 VAC	Red	Red
Other AC	Gray	Gray

* There is no polarity.

■ DIN terminal (Class B only)

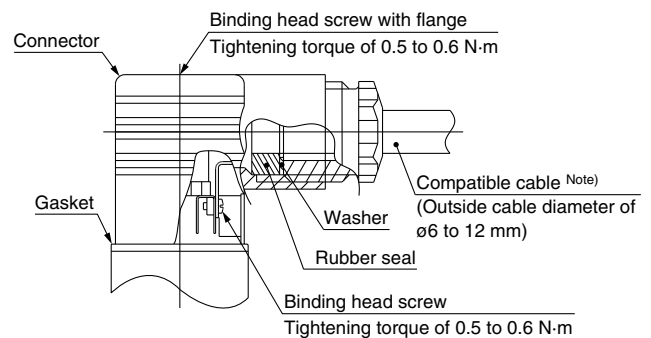
Since internal connections are shown below for the DIN terminal, make connections to the power supply accordingly.



Terminal no.	1	2
DIN terminal	+ (-)	- (+)

* There is no polarity.

- Use a heavy-duty cord with an outside cable diameter of $\phi 6$ to 12 mm.
- Use the tightening torques below for each section.



Note) For an outside cable diameter of $\phi 9$ to 12 mm, remove the internal parts of the rubber seal before using.



Series VX21/22/23 Specific Product Precautions 5

Be sure to read before handling.

Refer to back cover for Safety Instructions, "Handling Precautions for SMC Products" (M-E03-3) and the Operation Manual for 2 Port Solenoid Valves for Fluid Control Precautions. Please download it via our website, <http://www.smcworld.com>

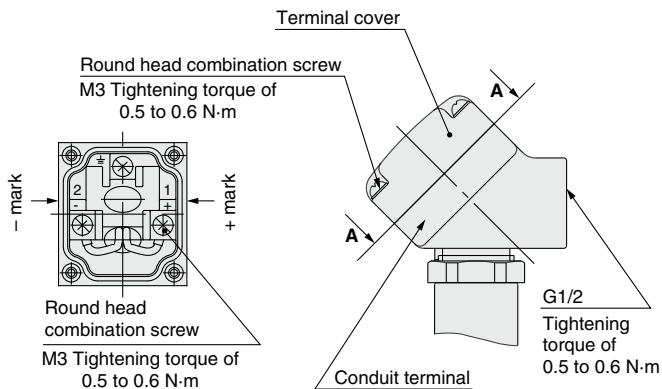
Electrical Connections

⚠ Caution

■ Conduit terminal

In the case of the conduit terminal, make connections according to the marks shown below.

- Use the tightening torques below for each section.
- Properly seal the terminal connection (G1/2) with the special wiring conduit, etc.



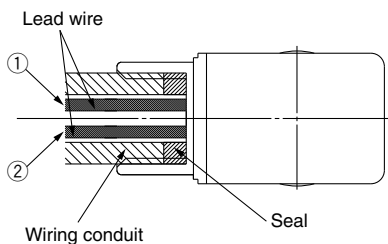
View A-A

(Internal connection diagram)

■ Conduit

When used as an IP65 equivalent, use seal to install the wiring conduit. Also, use the tightening torque below for the conduit.

Class B coil: AWG20 Outside insulator diameter of 2.5 mm
Class H coil: AWG18 Outside insulator diameter of 2.1 mm



(Connection G1/2 Tightening torque of 0.5 to 0.6 N·m)

Rated voltage	Lead wire color	
	①	②
DC	Black	Red
100 VAC	Blue	Blue
200 VAC	Red	Red
Other AC	Gray	Gray

* There is no polarity.

Description	Part no.
Seal	VCW20-15-6

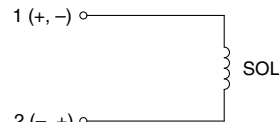
Note) Please order separately.

Electrical Circuits

⚠ Caution

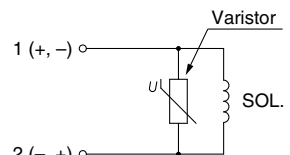
[DC circuit]

Grommet, Faston terminal



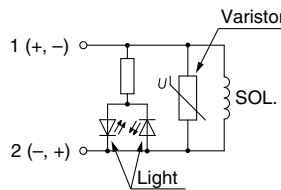
Without electrical option

Grommet, DIN terminal, Conduit terminal, Conduit



With surge voltage suppressor

DIN terminal, Conduit terminal

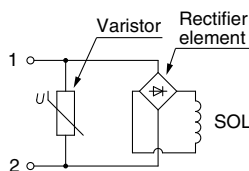


With light/surge voltage suppressor

[AC circuit]

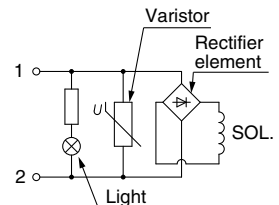
* For AC (Class B), the standard product is equipped with surge voltage suppressor.

Grommet, DIN terminal, Conduit terminal, Conduit



Without electrical option

DIN terminal, Conduit terminal



With light/surge voltage suppressor

One-touch Fitting




⚠ Caution

For information on handling one-touch fittings and appropriate tubing, refer to page 41 and the KQ2 series one-touch fittings in Best Pneumatics No. 6.

The KQ2 series information can be downloaded from the following SMC website, <http://www.smcworld.com>

Safety Instructions

These safety instructions are intended to prevent hazardous situations and/or equipment damage. These instructions indicate the level of potential hazard with the labels of “**Caution**,” “**Warning**” or “**Danger**.” They are all important notes for safety and must be followed in addition to International Standards (ISO/IEC)*1, and other safety regulations.

-  **Caution:** **Caution** indicates a hazard with a low level of risk which, if not avoided, could result in minor or moderate injury.
-  **Warning:** **Warning** indicates a hazard with a medium level of risk which, if not avoided, could result in death or serious injury.
-  **Danger:** **Danger** indicates a hazard with a high level of risk which, if not avoided, will result in death or serious injury.

- *1) ISO 4414: Pneumatic fluid power – General rules relating to systems.
- ISO 4413: Hydraulic fluid power – General rules relating to systems.
- IEC 60204-1: Safety of machinery – Electrical equipment of machines. (Part 1: General requirements)
- ISO 10218-1: Manipulating industrial robots – Safety. etc.

Warning

- 1. The compatibility of the product is the responsibility of the person who designs the equipment or decides its specifications.**
Since the product specified here is used under various operating conditions, its compatibility with specific equipment must be decided by the person who designs the equipment or decides its specifications based on necessary analysis and test results. The expected performance and safety assurance of the equipment will be the responsibility of the person who has determined its compatibility with the product. This person should also continuously review all specifications of the product referring to its latest catalog information, with a view to giving due consideration to any possibility of equipment failure when configuring the equipment.
- 2. Only personnel with appropriate training should operate machinery and equipment.**
The product specified here may become unsafe if handled incorrectly. The assembly, operation and maintenance of machines or equipment including our products must be performed by an operator who is appropriately trained and experienced.
- 3. Do not service or attempt to remove product and machinery/equipment until safety is confirmed.**
 1. The inspection and maintenance of machinery/equipment should only be performed after measures to prevent falling or runaway of the driven objects have been confirmed.
 2. When the product is to be removed, confirm that the safety measures as mentioned above are implemented and the power from any appropriate source is cut, and read and understand the specific product precautions of all relevant products carefully.
 3. Before machinery/equipment is restarted, take measures to prevent unexpected operation and malfunction.
- 4. Contact SMC beforehand and take special consideration of safety measures if the product is to be used in any of the following conditions.**
 1. Conditions and environments outside of the given specifications, or use outdoors or in a place exposed to direct sunlight.
 2. Installation on equipment in conjunction with atomic energy, railways, air navigation, space, shipping, vehicles, military, medical treatment, combustion and recreation, or equipment in contact with food and beverages, emergency stop circuits, clutch and brake circuits in press applications, safety equipment or other applications unsuitable for the standard specifications described in the product catalog.
 3. An application which could have negative effects on people, property, or animals requiring special safety analysis.
 4. Use in an interlock circuit, which requires the provision of double interlock for possible failure by using a mechanical protective function, and periodical checks to confirm proper operation.

Caution

- 1. The product is provided for use in manufacturing industries.**
The product herein described is basically provided for peaceful use in manufacturing industries.
If considering using the product in other industries, consult SMC beforehand and exchange specifications or a contract if necessary.
If anything is unclear, contact your nearest sales branch.

Limited warranty and Disclaimer/ Compliance Requirements

The product used is subject to the following “Limited warranty and Disclaimer” and “Compliance Requirements”.
Read and accept them before using the product.

Limited warranty and Disclaimer

1. The warranty period of the product is 1 year in service or 1.5 years after the product is delivered.*2)
Also, the product may have specified durability, running distance or replacement parts. Please consult your nearest sales branch.
2. For any failure or damage reported within the warranty period which is clearly our responsibility, a replacement product or necessary parts will be provided.
This limited warranty applies only to our product independently, and not to any other damage incurred due to the failure of the product.
3. Prior to using SMC products, please read and understand the warranty terms and disclaimers noted in the specified catalog for the particular products.
***2) Vacuum pads are excluded from this 1 year warranty.**
A vacuum pad is a consumable part, so it is warranted for a year after it is delivered. Also, even within the warranty period, the wear of a product due to the use of the vacuum pad or failure due to the deterioration of rubber material are not covered by the limited warranty.


Compliance Requirements

1. The use of SMC products with production equipment for the manufacture of weapons of mass destruction (WMD) or any other weapon is strictly prohibited.
2. The exports of SMC products or technology from one country to another are governed by the relevant security laws and regulations of the countries involved in the transaction. Prior to the shipment of a SMC product to another country, assure that all local rules governing that export are known and followed.

Revision history

- | Edition | Changes |
|---------|--|
| B | <ul style="list-style-type: none">• Added N.O. valve.• Added steam as a fluid (Insulation type Class H).• Added manifold.• Increased pages from 32 to 49. |

QV

 **Safety Instructions** Be sure to read “Handling Precautions for SMC Products” (M-E03-3) before using.

SMC Corporation

Akihabara UDX 15F,
4-14-1, Sotokanda, Chiyoda-ku, Tokyo 101-0021, JAPAN
Phone: 03-5207-8249 Fax: 03-5298-5362
<http://www.smcworld.com>
© 2012 SMC Corporation All Rights Reserved

Specifications are subject to change without prior notice and any obligation on the part of the manufacturer.

D-DN

1st printing PR printing QV 8150SZ Printed in Japan.