

# VINYL-INSULATED BLADE TERMINALS

**MAXIMUM ELECTRIC CURRENT:**

A.W.G.	26	24	22	20	18	16	14
AMP.	5.5	7	9	12	17	18	30

**MAXIMUM ELECTRICAL RATING: 105°C 600 VOLTS MAX.**

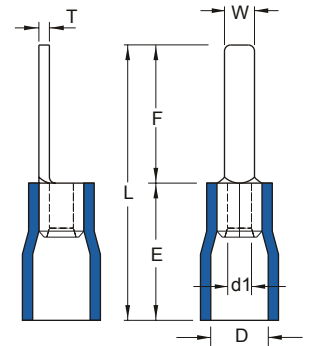
**INSULATION MATERIAL: VINYL**

**INSULATION COLOR:**

26-22 A.W.G.: YELLOW     22-16 A.W.G.: RED     16-14 A.W.G.: BLUE

12-10 A.W.G.: YELLOW

**TERMINAL MATERIAL: COPPER**



WIRE RANGE A.W.G. mm <sup>2</sup>	ITEM NO.		DIMENSION <sup>inch</sup> / <sub>mm</sub>							CRIMPING TOOL	Q'TY BOX
	BRAZED SEAM	BUTTED SEAM	W	F	L	E	D	d1	T		
26-22 A.W.G. 0.2-0.5 mm <sup>2</sup>	DBVB0.5-8	DBV0.5-8	.059 1.5	.315 8.0	.630 16.0	.315 8.0	.087 2.2	.039 1.0	.020 0.5	K.S. MODEL LY8-067 WITH DIE INDEX NO:0.5	1000
22-16 A.W.G.  0.5-1.5 mm <sup>2</sup>	DBVB1-9	DBV1-9	.110 2.8	.354 9.0	.740 18.8	.394 10.0	.157 4.0	.067 1.7	.030 0.75	IZUMI MODEL 34 WITH DIE INDEX COLOR:RED  OR K.S. MODEL KST2000A HRI-126J KSTLY-2004 KSTLY-2005 WITH DIE INDEX COLOR:RED	1000
	DBVB1-10	DBV1-10	.091 2.3	.394 10.0	.780 19.8						1000
	DBVB1-11	DBV1-11	.118 3.0	.433 11.0	.819 20.8						1000
	DBVBS1-13	DBVS1-13	.075 1.9	.512 13.0	.906 23.0						1000
	DBVB1-13	DBV1-13	.118 3.0								1000
	DBVB1-14	DBV1-14	.118 3.0	.551 14.0	.937 23.8						1000
	DBVB1-18	DBV1-18	.087 2.2	.709 18.0	1.094 27.8						1000
	DBVBS1-18	DBVS1-18	.079 2.0								1000
16-14 A.W.G.  1.5-2.5 mm <sup>2</sup>	DBVB2-9	DBV2-9	.110 2.8	.354 9.0	.740 18.8	.394 10.0	.177 4.5	.091 2.3	.031 0.8	IZUMI MODEL 34 WITH DIE INDEX COLOR:BLUE  OR K.S. MODEL KST2000A HRI-126J KSTLY-2004 KSTLY-2005 WITH DIE INDEX COLOR:BLUE	1000
	DBVB2-10	DBV2-10	.094 2.4	.394 10.0	.780 19.8						1000
	DBVB2-13	DBV2-13	.094 2.4	.512 13.0	.898 22.8						1000
	DBVBL2-13	DBVL2-13	.118 3.0								1000
	DBVBL2-13	DBVLL2-13	.177 4.5	.551 14.0	.937 23.8						1000
	DBVBS2-14	DBVS2-14	.083 2.1								1000
	DBVB2-14	DBV2-14	.094 2.4	.709 18.0	1.094 27.8						1000
	DBVBL2-14	DBVL2-14	.118 3.0								1000
	DBVBS2-18	DBVS2-18	.079 2.0	1000							
	DBVB2-18	DBV2-18	.087 2.2	1000							
	DBVBL2-18	DBVL2-18	.110 2.8	1000							



ALL LISTED

⊙: NOT UL AND C-UL LISTED

# VINYL-INSULATED BLADE TERMINALS

**MAXIMUM ELECTRIC CURRENT:**

A.W.G.	12	10
AMP.	35	50

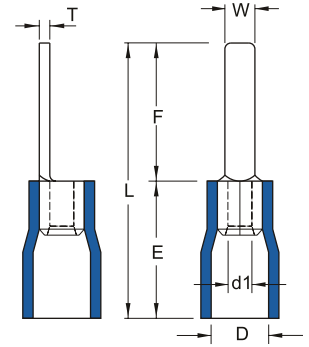
**MAXIMUM ELECTRICAL RATING: 105°C 600 VOLTS MAX.**

**INSULATION MATERIAL: VINYL**

**INSULATION COLOR:**

26-22 A.W.G.: YELLOW     22-16 A.W.G.: RED     16-14 A.W.G.: BLUE   
 12-10 A.W.G.: YELLOW

**TERMINAL MATERIAL: COPPER**



WIRE RANGE A.W.G. mm <sup>2</sup>	ITEM NO.		DIMENSION <sup>inch</sup> / <sub>mm</sub>							CRIMPING TOOL	Q'TY BOX
	BRAZED SEAM	BUTTED SEAM	W	F	L	E	D	d1	T		
12-10 A.W.G.  4-6 mm <sup>2</sup>	DBVB5-10	DBV5-10	.110 2.8	.394 10.0	.906 23.0	.512 13.0	.252 6.4	.134 3.4	.039 1.0	IZUMI MODEL 5 WITH DIE INDEX COLOR:YELLOW  OR K.S. MODEL KST2000A HRI-126J KSTLY-2004 KSTLY-2005 WITH DIE INDEX COLOR:YELLOW	500
	DBVB5-13	DBV5-13	.177 4.5	.512 13.0	1.024 26.0						500
	DBVBS5-14	DBVS5-14	.157 4.0	.551 14.0	1.063 27.0						500
	DBVB5-14	DBV5-14	.177 4.5								500
	DBVBS5-18	DBVS5-18	.079 2.0	.709 18.0	1.220 31.0						500
	DBVB5-18	DBV5-18	.177 4.5								500

UL cUL ALL LISTED