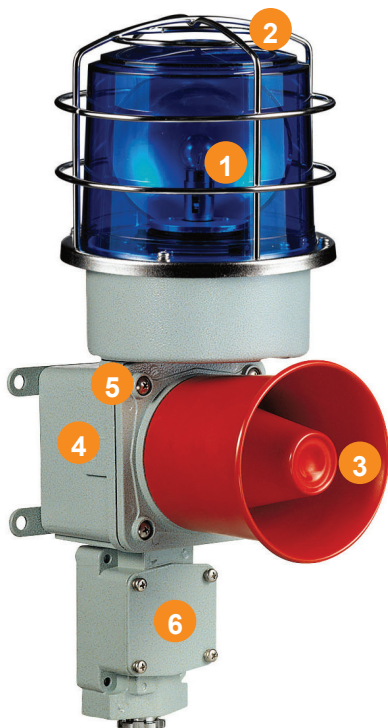


SED/ SD/ SMD series

Warning Light and Electric Horn Combinations
for Vessels and Heavy Industry Applications

Wall mount warning light and electric horn combinations featuring superior durability, tight seal, and corrosion resistance, designed for vessels and heavy industrial applications

- **SED series**
 - 125mm warning light & electric horn with Max 118dB sound output
- **SD series**
 - 150mm warning light & electric horn with Max 118dB sound output
- **SMD series**
 - 150mm warning light & electric horn with Max 120dB sound output



1 Lens

Utilizes a strong and durable polycarbonate material with excellent shock and vibration resistance.

The lens surface has two types according to the light source type and function-light diffusion type and light transmission type.

Light transmission type		LED revolving type(SEDLR) Bulb revolving type(SED)
Light diffusion type		LED steady/flashing type(SED/LF) Xenon lamp strobe type(SED/S)

2 Protection cage

- The durable protection cage is made of corrosion resistant stainless steel that prevents damage to the lens from external contact
- Materials : SUS316L



Common Specifications

- Wall mount warning light and electric horn combinations for vessels and heavy industrial applications
- Aluminum housing and polycarbonate lens material provides excellent impact and shock resistance
- Excellent hermetic structure that block water and dust
- Can select a variety of light source(bulb, LED, xenon lamp) and sound pattern combination
- Attached terminal box enables easy wiring
- Can adjust sound volume and select sound pattern with the switches built inside the products
- Cable entry : 1/2"PF
- Materials : Lens-PC, Housing-Al, Protection cage-SUS316L, Reflector-PC, Multi-tiered reflector-Heat resistance ABS
- Standard housing color : MUNSELL No. 7.5GBG 7/2
- Protection rating : IP66

A variety of selectable light source and function combinations

You can select from a variety of light sources for your work environment, condition, and purpose. Basic specifications are as follows :

- LED Revolving Type
- Xenon Lamp Strobe Type
- LED Steady/Flashing Type
- Bulb Revolving Type

User-selected LED strobe type and LED stimulated revolving type are available upon request.

3 A variety of selectable warning sounds and sound messages

You can convey specific information with a variety of 20 warning sounds and voice messages.

Sound	Pattern	Ch	Sound Tone
WS	5 Warning sounds	Ch1	Fire.A-ANG
		Ch2	Emergency WA-U(Yelp)
		Ch3	Ambulance PI-PO(Hi-low)
		Ch4	Machinery Fault
		Ch5	High Expansion
WP	5 Special warning sounds	Ch1	Fire.A-ANG
		Ch2	Abandon Alarm
		Ch3	Machinery Fault
		Ch4	High Expansion
		Ch5	7 Short Pl. / 1 Long
WM	5 Melodies	Ch1	Sweet Home
		Ch2	For Elise
		Ch3	Cuckoo's Waltz
		Ch4	Piano Sonata
		Ch5	Turkish March
WA	5 Alarms	Ch1	Beep Intermittent
		Ch2	Door Chime
		Ch3	Phone Ring
		Ch4	PI.PI.PI Short
		Ch5	Tripping Beat
WV	5 Customizable sound messages	Ch1-Ch5	Customized sound tones

4 Housing

- The special aluminum housing features superior durability
- The housing is corrosion resistant from a special anodized surface treatment process
- Materials : Al

5 Fully enclosed structure

- The tightly sealed warning light structure is waterproof and dustproof
- Protection rating : IP66

6 Terminal Box

- Terminal box is located at the bottom of the product for easy wiring
- Materials : Al

SED/ SD/ SMD series

Warning Light and Electric Horn Combinations
for Vessels and Heavy Industry Applications

SED/ SD/ SMD series Information



Standard type

- No protection cage is provided
- Recommended for the places where the lens is not damaged by external contact
- Model lists : SED/ SD/ SMD



Protection cage type

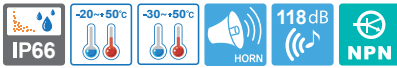
- Provided with protection cage
- Lens can be protected from the damage by external contact
- Model lists : SEDP/ SDP/ SMDP

SED/ SD/ SMD series References

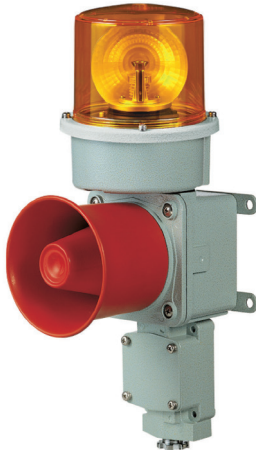
	SED series		SD series		SMD series	
Diameter / dB	Ø125mm / Max 118dB at 1m		Ø150mm / Max 118dB at 1m		Ø150mm / Max 120dB at 1m	
Materials	Lens - PC, Housing - Al, Protection cage-SUS316L, Reflector - PC/ Heat resistant ABS					
Protection rating	IP66					
Certificates	KIMM/ CCS/ KR/ CE		KIMM/ ABS/ LR/ KR/ CE			
Cable entry	Standard : 1/2"PF (Customized cable entry available : 3/4"PF)					
Mounting	Wall mounting					
	Standard	With protection cage	Standard	With protection cage	Standard	With protection cage
LED revolving	SEDLR	SELRP	SDLR	SDLRP	SMDLR	SMDLRP
LED steady/flashing	SEDL	SELP	SDL	SDLP	SMDL	SMDLP
Xenon lamp strobe	SEDS	SEDSP	SDS	SDSP	SMDS	SMDSP
Bulb revolving	SED	SEDP	SD	SDP	SMD	SMDP

SED series

Warning Lights and Electric Horns for Vessels and Heavy Industry Applications



Ø125mm signal light and 118dB electric horn combination



SEDLR



SEDLP/ SEDSP



SED

Common Specifications (SEDLR/ SEDL/ SEDS/ SED)

- Materials : Lens-PC, Housing-AI, Protection cage-SUS316L, Reflector-PC/ Heat resistant ABS
- Cable entry : 1/2"PF
- Housing color : MUNSELL No. 7.5BG 7/2
- Protection rating : IP66

SEDLR/ SEDLRP LED Revolving Warning Light and Electric Horn Combination

- Revolving speed : 120-140RPM
- Ambient operating temperature : -20°C to + 50°C

Model number	Voltage	Current	Sound pattern and volume	Certificates	Weight	Color
SEDLR SEDLRP	DC12V	2.633A	<ul style="list-style-type: none"> • WS-5 Warning sounds : 118dB • WP-5 Special warning sounds : 118dB • WM-5 Melodies : 118dB • WA-5 Alarms : 116dB • WV-5 Customizable voices : 113dB 		<ul style="list-style-type: none"> • SEDLR DC-3.09kg • SEDLRP DC-3.34kg • AC-3.86kg • AC-4.11kg 	<ul style="list-style-type: none"> • R-Red • A-Amber • G-Green • B-Blue
	DC24V	1.288A				
	AC110V	0.308A				
	AC220V	0.154A				

SEDL/ SEDLP LED Steady/Flashing Warning Light and Electric Horn Combination

- Flashing rate : 60-80 flashes/min (Built-in steady/flashing selection switch)
- Ambient operating temperature : -30°C to +50°C

Model number	Voltage	Current	Sound pattern and volume	Certificates	Weight	Color
SEDL SEDLP	DC12V	2.511A	<ul style="list-style-type: none"> • WS-5 Warning sounds : 118dB • WP-5 Special warning sounds : 118dB • WM-5 Melodies : 118dB • WA-5 Alarms : 116dB • WV-5 Customizable voices : 113dB 	 	<ul style="list-style-type: none"> • SEDL DC-2.96kg • SEDLP DC-3.21kg • AC-3.38kg • AC-3.63kg 	<ul style="list-style-type: none"> • R-Red • A-Amber • G-Green • B-Blue
	DC24V	1.222A				
	AC110V	0.286A				
	AC220V	0.143A				

SEDS/ SEDSP Xenon Lamp Strobe Warning Light and Electric Horn Combination

- Convenient lamp exchange by adopting a connector type lamp installation
- Flashing rate : 60-80 flashes/min
- Ambient operating temperature : -30°C to +50°C

Model number	Voltage	Current	Bulb			Sound pattern and volume	Certificates	Weight	Color
			Spec	Standard	Parts no				
SEDS SEDSP	DC12V	2.933A	200V -550V	EUB0641 -1A(G) U Type	48	<ul style="list-style-type: none"> • WS-5 Warning sounds : 118dB • WP -5 Special warning sounds : 118dB • WM-5 Melodies : 118dB • WA-5 Alarms : 116dB • WV -5 Customizable voices : 113dB 	 	<ul style="list-style-type: none"> • SEDS DC-3.01kg • SEDSP DC-3.26kg • AC-3.40kg • AC-3.65kg 	<ul style="list-style-type: none"> • R-Red • A-Amber • G-Green • B-Blue
	DC24V	1.411A							
	AC110V	0.360A							
	AC220V	0.220A							

SED/ SEDP Bulb Revolving Warning Light and Electric Horn Combination

- Revolving speed : 120-140RPM
- Ambient operating temperature : -20°C to + 50°C

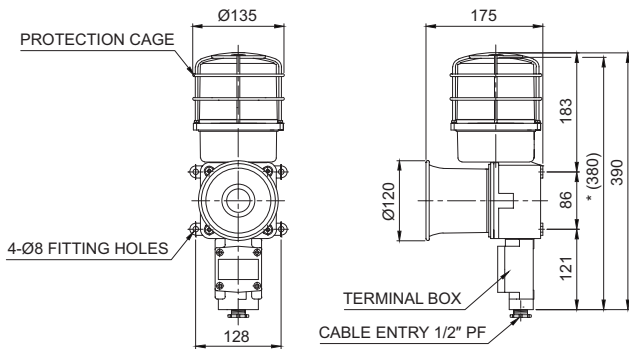
Model number	Voltage	Current	Bulb			Sound pattern and volume	Certificates	Weight	Color
			Spec	Standard	Parts no				
SED SEDP	DC12V	3.755A	12V15W	G23 15S	17	<ul style="list-style-type: none"> • WS-5 Warning sounds : 118dB • WP -5 Special warning sounds : 118dB • WM-5 Melodies : 118dB • WA-5 Alarms : 116dB • WV -5 Customizable voices : 113dB 	 	<ul style="list-style-type: none"> • SED DC-3.17kg • SEDP DC-3.42kg • AC-3.94kg • AC-4.19kg 	<ul style="list-style-type: none"> • R-Red • A-Amber • G-Green • B-Blue
	DC24V	1.788A	24V15W	G23 15S	18				
	AC110V	0.422A	12V15W	G23 15S	17				
	AC220V	0.211A	12V15W	G23 15S	17				



Technical Diagram

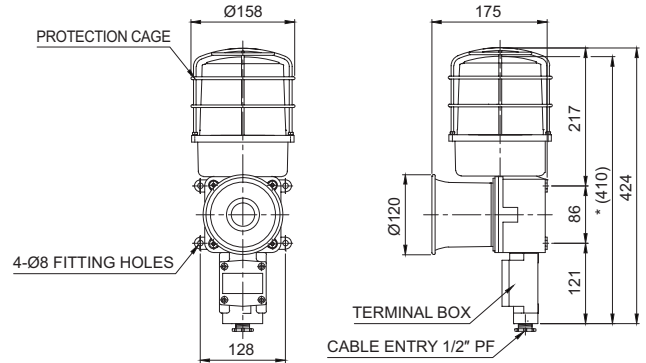
(Units : mm)

SEDLR/ SEDLP/ SEDSP/ SEDP



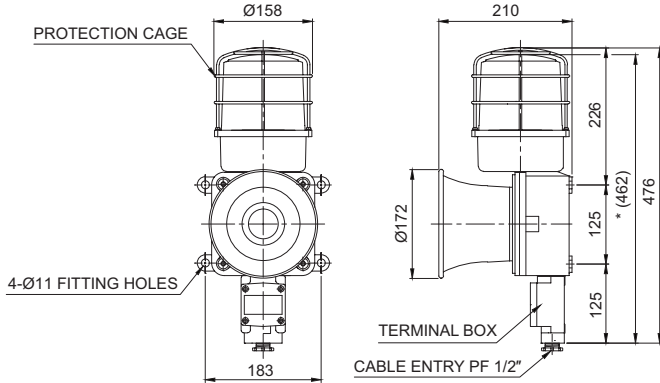
※ *(380)represents SEDLR/ SEDLP/ SEDSP/ SEDP size without protection cage.

SDLRP/ SDLP/ SDSP/ SDP



※ *(410)represents SDLRP/ SDLP/ SDSP/ SDP size without protection cage.

SMDLRP/ SMDLP/ SMDSP/ SMDP



※ *(462) represents SMDLRP/ SMDLP/ SMDSP/ SMDP size without protection cage.



Customization

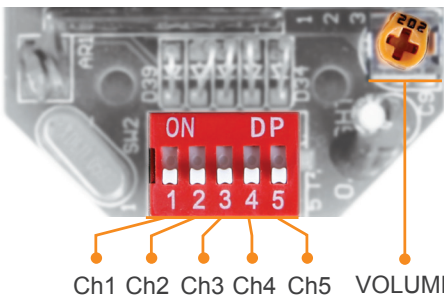
- Cable gland type
 - Customized cable entry(3/4"PF) available(Standard : 1/2"PF)
 - Customized external sound line type available : SED/SD/SMD series have built-in switch for sound tone selection
Customized wiring in case of external contact or transistor wiring type as sound tone selector (Model number : -LC)
 - Brass housing
Brass housing for SD/ SMD series are optionally provided which has excellent anti-corrosive properties
- ※ Color will be MUNSSELL No. 7.5BG 7/2 when released.



Sound Selection Instructions and Wiring

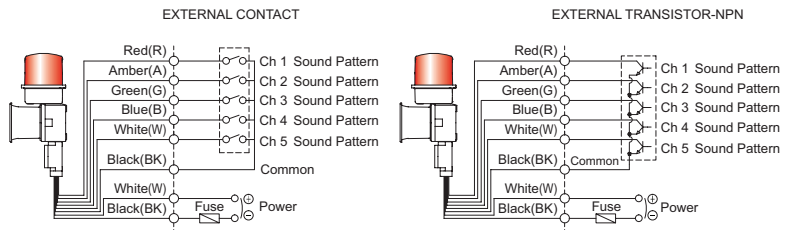
- Standard Type : Select sound using the switch inside of the unit. When you turn on the dip switch for each channel, the designated sound will be played.

- Customization : External contact(LC)



Ch1 Ch2 Ch3 Ch4 Ch5 VOLUME

SED SERIES-DC/AC
SD SERIES-DC/AC
SMD SERIES-DC/AC



- SED, SEDLR, SD, SDLR, SMD, SMDLR : Black output line is negative(-)

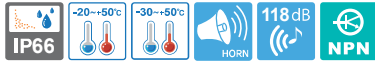


Ordering Specification

SEDLR	WA	24	R
[Model number]	[Sound]	[Voltage]	[Color]
<ul style="list-style-type: none"> • SEDLR • SEDS • SDLR • SDS • SMDLR • SMDS 	<ul style="list-style-type: none"> • WS-Warning sounds • WP-Special warning sounds • WM-Melodies • WA-Alarms • WV-Customizable voices 	<ul style="list-style-type: none"> • 12-DC12V • 24-DC24V • 110-AC110V • 220-AC220V 	<ul style="list-style-type: none"> • R-Red • A-Amber • G-Green • B-Blue
<ul style="list-style-type: none"> • SEDLRP • SEDSP • SDLRP • SDSP • SMDLRP • SMDSP 			
<ul style="list-style-type: none"> • SEDL • SED • SDL • SD • SMDL • SMD 			
<ul style="list-style-type: none"> • SEDLP • SEDP • SDLP • SDP • SMDLP • SMDP 			

SD series

Warning Lights and Electric Horns for Vessels and Heavy Industry Applications



Ø150mm signal light and 118dB electric horn combination



SDLR



SDL/SDS



SD



Common Specifications(SDLR/ SDL/ SDS/ SD)

- Materials : Lens-PC, Housing-AL, Protection cage-SUS316L, Reflector-PC/Heat resistant ABS
- Cable entry : 1/2"PF
- Housing color : MUNSELL No. 7.5BG 7/2
- Protection rating : IP66



SDLR/ SDLRP LED Revolving Warning Light and Electric Horn Combination

- Revolving speed : 120-140RPM
- Ambient operating temperature : -20°C to + 50°C

Model number	Voltage	Current	Sound pattern and volume	Certificates	Weight	Color
SDLR SDLRP	DC12V	2.633A	<ul style="list-style-type: none"> • WS-5 Warning sounds : 118dB • WP-5 Special warning sounds : 118dB • WM-5 Melodies : 118dB • WA-5 Alarms : 116dB • WV-5 Customizable voices : 113dB 		<ul style="list-style-type: none"> • SDLR DC-3.36kg • SDLRP DC-3.65kg 	<ul style="list-style-type: none"> • R-Red • A-Amber • G-Green • B-Blue
	DC24V	1.288A				
	AC110V	0.308A				
	AC220V	0.154A				



SDL/ SDLP LED Steady/Flashing Warning Light and Electric Horn Combination

- Flashing rate : 60-80 flashes/min(Built-in steady/flashing selection switch)
- Ambient operating temperature : -30°C to +50°C

Model number	Voltage	Current	Sound pattern and volume	Certificates	Weight	Color
SDL SDLP	DC12V	2.511A	<ul style="list-style-type: none"> • WS-5 Warning sounds : 118dB • WP-5 Special warning sounds : 118dB • WM-5 Melodies : 118dB • WA-5 Alarms : 116dB • WV-5 Customizable voices : 113dB 	 	<ul style="list-style-type: none"> • SDL DC-3.22kg • SDLP DC-3.51kg 	<ul style="list-style-type: none"> • R-Red • A-Amber • G-Green • B-Blue
	DC24V	1.222A				
	AC110V	0.286A				
	AC220V	0.143A				



SDS/ SDSP Xenon Lamp Strobe Warning Light and Electric Horn Combination

- Convenient lamp exchange by adopting a connector type lamp installation
- Flashing rate : 60-80 flashes/min
- Ambient operating temperature : -30°C to +50°C

Model number	Voltage	Current	Bulb			Sound pattern and volume	Certificates	Weight	Color
			Spec	Standard	Parts no				
SDS SDSP	DC12V	2.933A	200V -550V	EUB0641 -1A(G) U Type	48	<ul style="list-style-type: none"> • WS-5 Warning sounds : 118dB • WP -5 Special warning sounds : 118dB • WM-5 Melodies : 118dB • WA-5 Alarms : 116dB • WV -5 Customizable voices : 113dB 	 	<ul style="list-style-type: none"> • SDS DC-3.28kg • SDSP DC-3.57kg 	<ul style="list-style-type: none"> • R-Red • A-Amber • G-Green • B-Blue
	DC24V	1.411A							
	AC110V	0.360A							
	AC220V	0.220A							



SD/ SDP Bulb Revolving Warning Light and Electric Horn Combination

- Revolving speed : 120-140RPM
- Ambient operating temperature : -20°C to + 50°C

Model number	Voltage	Current	Bulb			Sound pattern and volume	Certificates	Weight	Color
			Spec	Standard	Parts no				
SD SDP	DC12V	3.755A	12V15W	G23 15S	17	<ul style="list-style-type: none"> • WS-5 Warning sounds : 118dB • WP -5 Special warning sounds : 118dB • WM-5 Melodies : 118dB • WA-5 Alarms : 116dB • WV -5 Customizable voices : 113dB 	 	<ul style="list-style-type: none"> • SD DC-3.43kg • SDP DC-3.72kg 	<ul style="list-style-type: none"> • R-Red • A-Amber • G-Green • B-Blue
	DC24V	1.788A	24V15W	G23 15S	18				
	AC110V	0.422A	12V15W	G23 15S	17				
	AC220V	0.211A	12V15W	G23 15S	17				

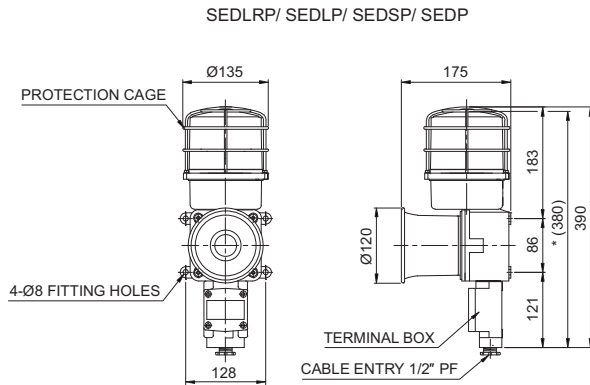
SED/ SD/ SMD series

Warning Lights and Electric Horns Combinations
for Vessels and Heavy Industry Applications

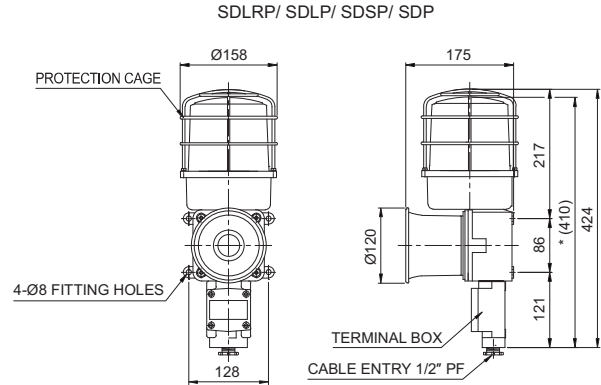


Technical Diagram

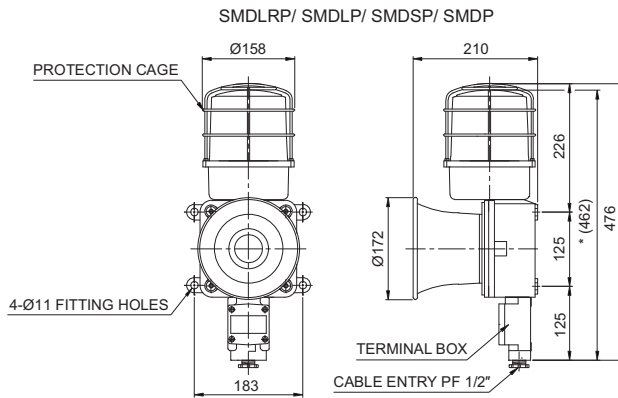
(Units : mm)



* (380) represents SEDLR/ SEDL/ SEDS/ SED size without protection cage.



* (410) represents SDLR/ SDL/ SDS/ SD size without protection cage.



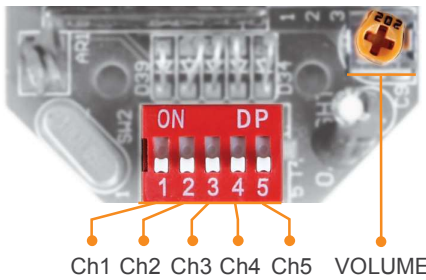
* (462) represents SMDLR/ SMDL/ SMDSP/ SMD size without protection cage.

Customization

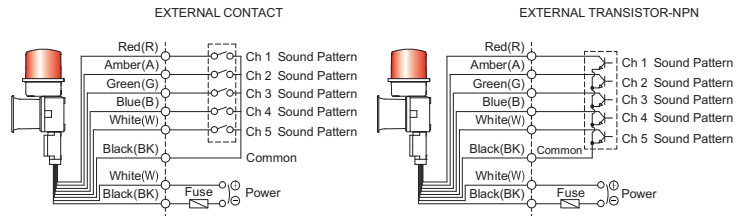
- Cable gland type
- Customized cable entry (3/4" PF) available (Standard : 1/2" PF)
- Customized external sound line type available : SED/SD/SMD series have built-in switch for sound tone selection. Customized wiring in case of external contact or transistor wiring type as sound tone selector (Model number : -LC)
- Brass housing
Brass housing for SD/ SMD series are optionally provided which has excellent anti-corrosive properties
- * Color will be MUNSSELL No. 7.5BG 7/2 when released.

Sound Selection Instructions and Wiring

- Standard Type : Select sound using the switch inside of the unit. When you turn on the dip switch for each channel, the designated sound will be played.
- Customization : External contact (LC)



SED SERIES-DC/AC
SD SERIES-DC/AC
SMD SERIES-DC/AC

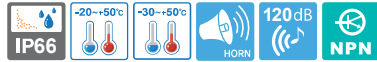


- SED, SEDLR, SD, SDLR, SMD, SMDLR : Black output line is negative (-)

Ordering Specification

SEDLR	WA	24	R
[Model number]	[Sound]	[Voltage]	[Color]
<ul style="list-style-type: none"> • SEDLR • SEDS • SDLR • SDS • SMDLR • SMDS 	<ul style="list-style-type: none"> • WS-Warning sounds • WP-Special warning sounds • WM-Melodies • WA-Alarms • WV-Customizable voices 	<ul style="list-style-type: none"> • 12-DC12V • 24-DC24V • 110-AC110V • 220-AC220V 	<ul style="list-style-type: none"> • R-Red • A-Amber • G-Green • B-Blue
<ul style="list-style-type: none"> • SEDLRP • SEDSP • SDLRP • SDSP • SMDLRP • SMDSP 			
<ul style="list-style-type: none"> • SEDL • SED • SDL • SD • SMDL • SMD 			
<ul style="list-style-type: none"> • SEDLP • SEDP • SDLP • SDP • SMDLP • SMDP 			

SMD series



Ø150mm signal light and 120dB electric horn combination



SMDLR



SMDLP/SMDSP



SMDP

Warning Lights and Electric Horns for Vessels and Heavy Industry Applications



Common Specifications(SMDLR/ SMDL/ SMDS/ SMD)

- Materials : Lens-PC, Housing-AL, Protection cage-SUS316L, Reflector-PC/ Heat resistant ABS
- Cable entry : 1/2"PF
- Housing color : MUNSELL No. 7.5BG 7/2
- Protection rating : IP66



SMDLR/ SMDLRP LED Revolving Warning Light and Electric Horn Combination

- Revolving speed : 120-140RPM
- Ambient operating temperature : -20°C to + 50°C

Model number	Voltage	Current	Sound pattern and volume	Certificates	Weight	Color
SMDLR SMDLRP	DC12V	2.522A	<ul style="list-style-type: none"> • WS-5 Warning sounds : 120dB • WP-5 Special warning sounds : 120dB • WM-5 Melodies : 120dB • WA-5 Alarms : 118dB • WV-5 Customizable voices : 115dB 	-	<ul style="list-style-type: none"> • SMDLR DC-5.91kg • SMDLRP DC-6.20kg 	<ul style="list-style-type: none"> • R-Red • A-Amber • G-Green • B-Blue
	DC24V	1.322A				
	AC110V	0.326A				
	AC220V	0.163A				



SMDL/ SMDLP LED Steady/Flashing Warning Light and Electric Horn Combination

- Flashing rate : 60-80 flashes/min(Built-in steady/flashing selection switch)
- Ambient operating temperature : -30°C to +50°C

Model number	Voltage	Current	Sound pattern and volume	Certificates	Weight	Color
SMDL/ SMDLP	DC12V	2.400A	<ul style="list-style-type: none"> • WS-5 Warning sounds : 120dB • WP-5 Special warning sounds : 120dB • WM-5 Melodies : 120dB • WA-5 Alarms : 118dB • WV-5 Customizable voices : 115dB 	-	<ul style="list-style-type: none"> • SMDL DC-5.77kg • SMDLP DC-6.06kg 	<ul style="list-style-type: none"> • R-Red • A-Amber • G-Green • B-Blue
	DC24V	1.255A				
	AC110V	0.304A				
	AC220V	0.152A				



SMDS/ SMDSP Xenon Lamp and Electric Horn Combination

- Convenient lamp exchange by adopting connector type lamp installation
- Flashing rate : 60-80 flashes/min
- Ambient operating temperature : -30°C to +50°C

Model number	Voltage	Current	Bulb			Sound pattern and volume	Certificates	Weight	Color
			Spec	Standard	Parts no				
SMDS SMDSP	DC12V	2.822A	200V -550V	EUB0641 -1A(G) U Type	48	<ul style="list-style-type: none"> • WS-5 Warning sounds :120dB • WP -5 Special warning sounds :120dB • WM-5 Melodies : 120dB • WA-5 Alarms : 118dB • WV -5 Customizable voices : 115dB 	-	<ul style="list-style-type: none"> • SMDS DC-5.83kg • SMDSP DC-6.12kg 	<ul style="list-style-type: none"> • R-Red • A-Amber • G-Green • B-Blue
	DC24V	1.444A							
	AC110V	0.377A							
	AC220V	0.228A							



SMD/ SMDP Bulb Revolving Warning Light and Electric Horn Combination

- Revolving speed : 120-140RPM
- Ambient operating temperature : -20°C to + 50°C

Model number	Voltage	Current	Bulb			Sound pattern and volume	Certificates	Weight	Color
			Spec	Standard	Parts no				
SMD SMDP	DC12V	3.644A	12V15W	G23 15S	17	<ul style="list-style-type: none"> • WS-5 Warning sounds :120dB • WP -5 Special warning sounds :120dB • WM-5 Melodies : 120dB • WA-5 Alarms : 118dB • WV -5 Customizable voices : 115dB 	-	<ul style="list-style-type: none"> • SMD DC-5.98kg • SMDP DC-6.27kg 	<ul style="list-style-type: none"> • R-Red • A-Amber • G-Green • B-Blue
	DC24V	1.822A	24V15W	G23 15S	18				
	AC110V	0.448A	12V15W	G23 15S	17				
	AC220V	0.224A	12V15W	G23 15S	17				

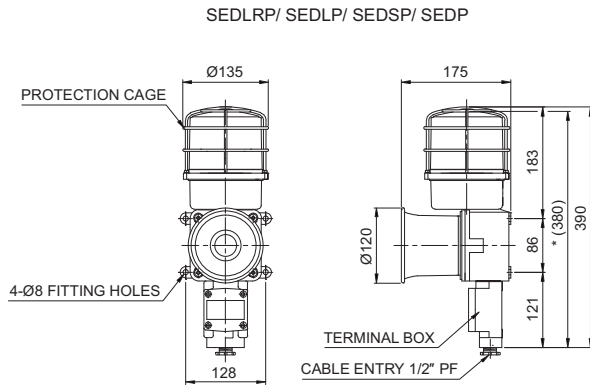
SED/ SD/ SMD series

Warning Lights and Electric Horns Combinations
for Vessels and Heavy Industry Applications

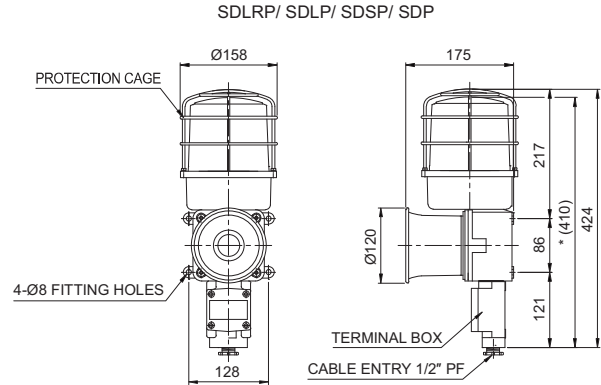


Technical Diagram

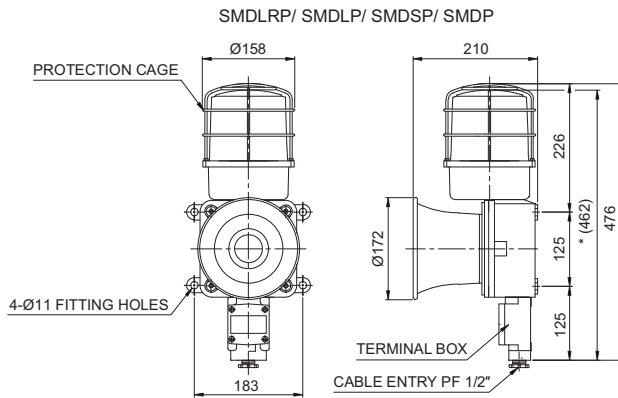
(Units : mm)



* (380) represents SEDLR/ SEDL/ SEDS/ SED size without protection cage.



* (410) represents SDLR/ SDL/ SDS/ SD size without protection cage.



* (462) represents SMDLR/ SMDL/ SMDSP/ SMD size without protection cage.



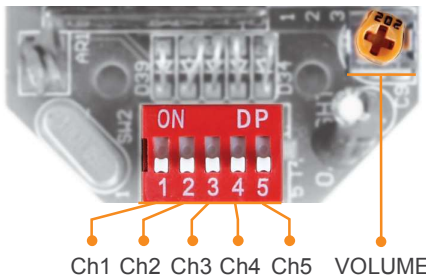
Customization

- Cable gland type
- Customized cable entry(3/4"PF) available(Standard : 1/2"PF)
- Customized external sound line type available : SED/SD/SMD series have built-in switch for sound tone selection
Customized wiring in case of external contact or transistor wiring type as sound tone selector (Model number : -LC)
- Brass housing
Brass housing for SD/ SMD series are optionally provided which has excellent anti-corrosive properties
- * Color will be MUNSELL No. 7.5BG 7/2 when released.

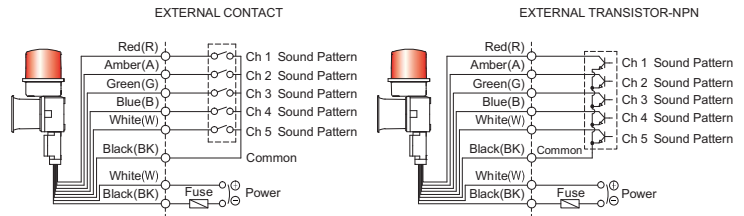


Sound Selection Instructions and Wiring

- Standard Type : Select sound using the switch inside of the unit. When you turn on the dip switch for each channel, the designated sound will be played.
- Customization : External contact(LC)



SED SERIES-DC/AC
SD SERIES-DC/AC
SMD SERIES-DC/AC



- SED, SEDLR, SD, SDLR, SMD, SMDLR : Black output line is negative(-)



Ordering Specification

SEDLR	WA	24	R
[Model number]	[Sound]	[Voltage]	[Color]
<ul style="list-style-type: none"> • SEDLR • SEDS • SDLR • SDS • SMDLR • SMDS 	<ul style="list-style-type: none"> • WS-Warning sounds • WP-Special warning sounds • WM-Melodies • WA-Alarms • WV-Customizable voices 	<ul style="list-style-type: none"> • 12-DC12V • 24-DC24V • 110-AC110V • 220-AC220V 	<ul style="list-style-type: none"> • R-Red • A-Amber • G-Green • B-Blue
<ul style="list-style-type: none"> • SEDLRP • SEDSP • SDLRP • SDSP • SMDLRP • SMDSP 			
<ul style="list-style-type: none"> • SEDL • SED • SDL • SD • SMDL • SMD 			
<ul style="list-style-type: none"> • SEDLP • SEDP • SDLP • SDP • SMDLP • SMDP 			