


DTR/DTRT

Sewage
Grinder



Drainage and waste water pumps equipped with open impeller and grinder system able to shred sewage with suspended solids and prevent the pump from clogging. Best for emptying of septic tanks and residential sumps as well as for rain water systems and for draining of flooded areas where seamless operation is required. The quick coupling feet DN50 and DN65 is available for flanged pumps.

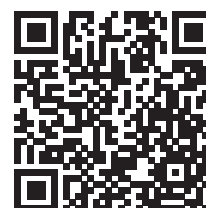
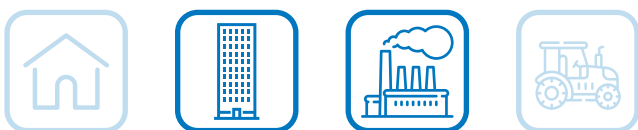
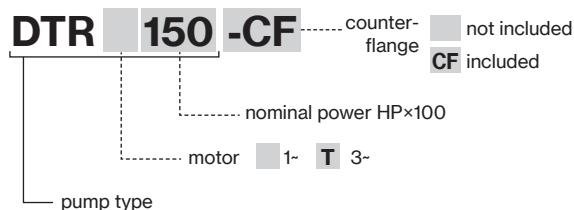
Construction features

Painting	cataphoresis
Pump body	cast iron
Impeller	cast iron
Mechanical seal	double seal with oil barrier: silicon carbide on pump side, ceramic-graphite on motor side
Motor shaft	stainless steel AISI 304
Max submergence	20 m
Liquid temperature	0 - 40 °C
	Grinder treated stainless steel
Bolts	A2 stainless steel
Foot support	galvanized iron
Gaskets	NBR rubber

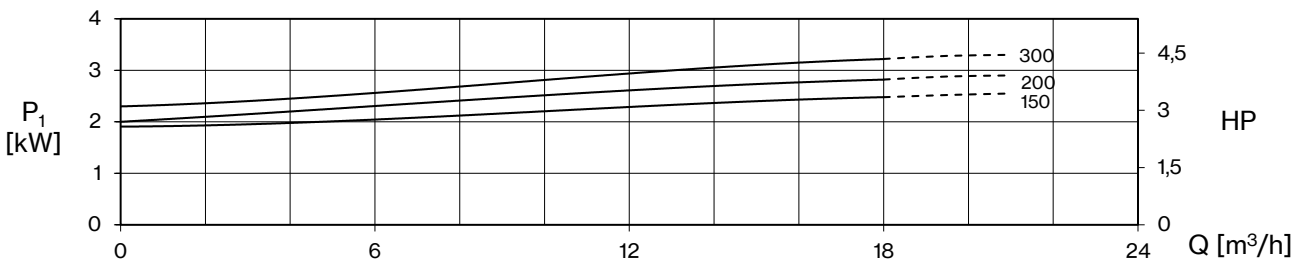
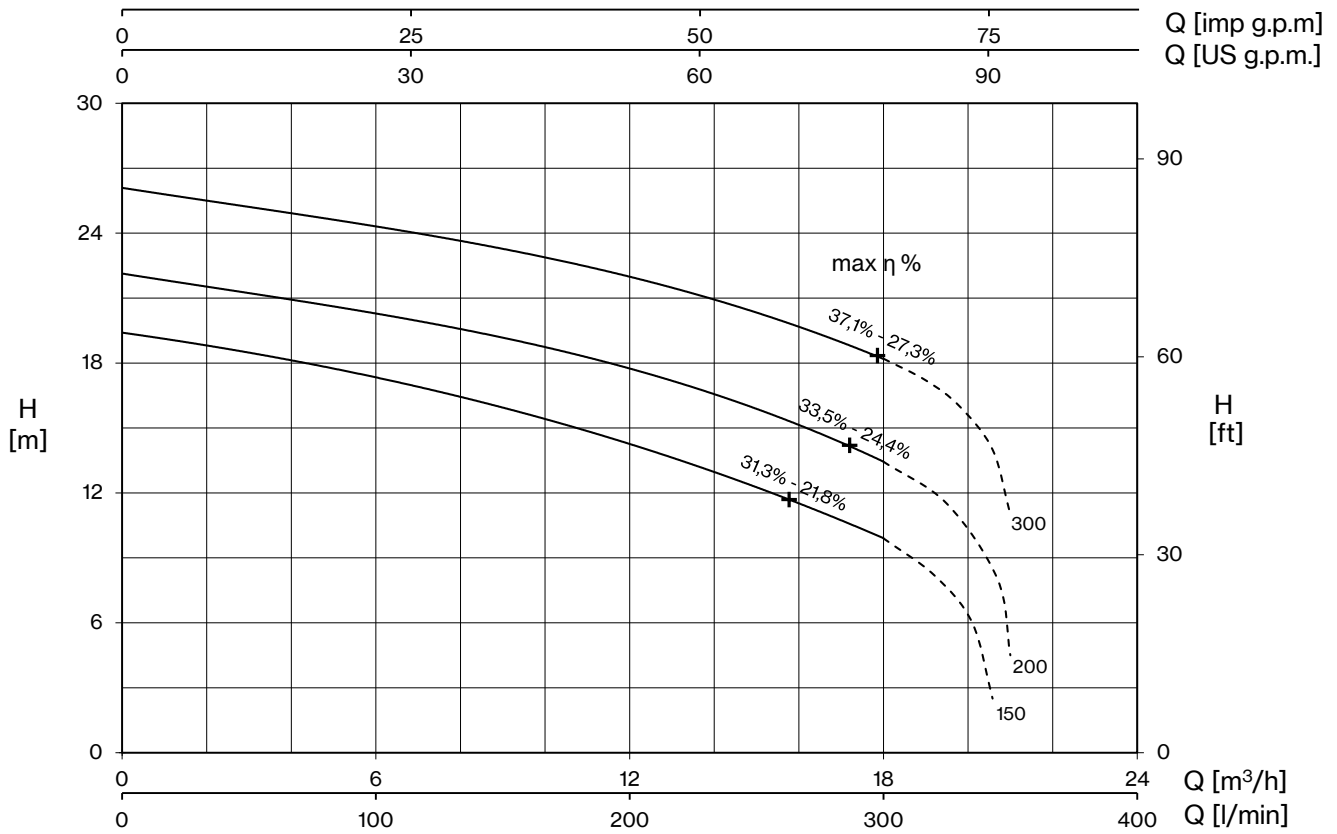
Motor

2 Poles induction motor	3- 230V - 50Hz 3- 400V - 50Hz 3- 230/400V - 50Hz 3- 400/690V - 50Hz
	1- 230V - 50Hz required run capacitor (35µF for 1,5HP models, 50µF for 2HP model) + start capacitor (80µF with disjuntor)
Insulation class	F
Protection degree	IPX8

TYPE	LOTS			
	TRUCK		CONTAINER	
	PALLET (cm)	N° pumps	PALLET (cm)	N° pumps
DTRT 150-300	85×110×145	18	85×110×190	27
DTRT 400-550	85×110×170	12	85×110×170	12
DTRT 750-1000	100×120×190	12	100×120×190	12



DTR/DTRT



TYPE		AMPERE				
1~	3~	230 V 50 Hz	3~ 230V 50 Hz (*)	3~ 400V 50 Hz	230/400 V 50 Hz λ / Δ (*)	400/690 V 50 Hz λ / Δ
DTR 150	DTRT 150	11,5	7,6	4,4	-	-
DTR 200	DTRT 200	13,6	8,8	5,1	-	-
-	DTRT 300	-	10,0	5,8	-	-

+ max η %

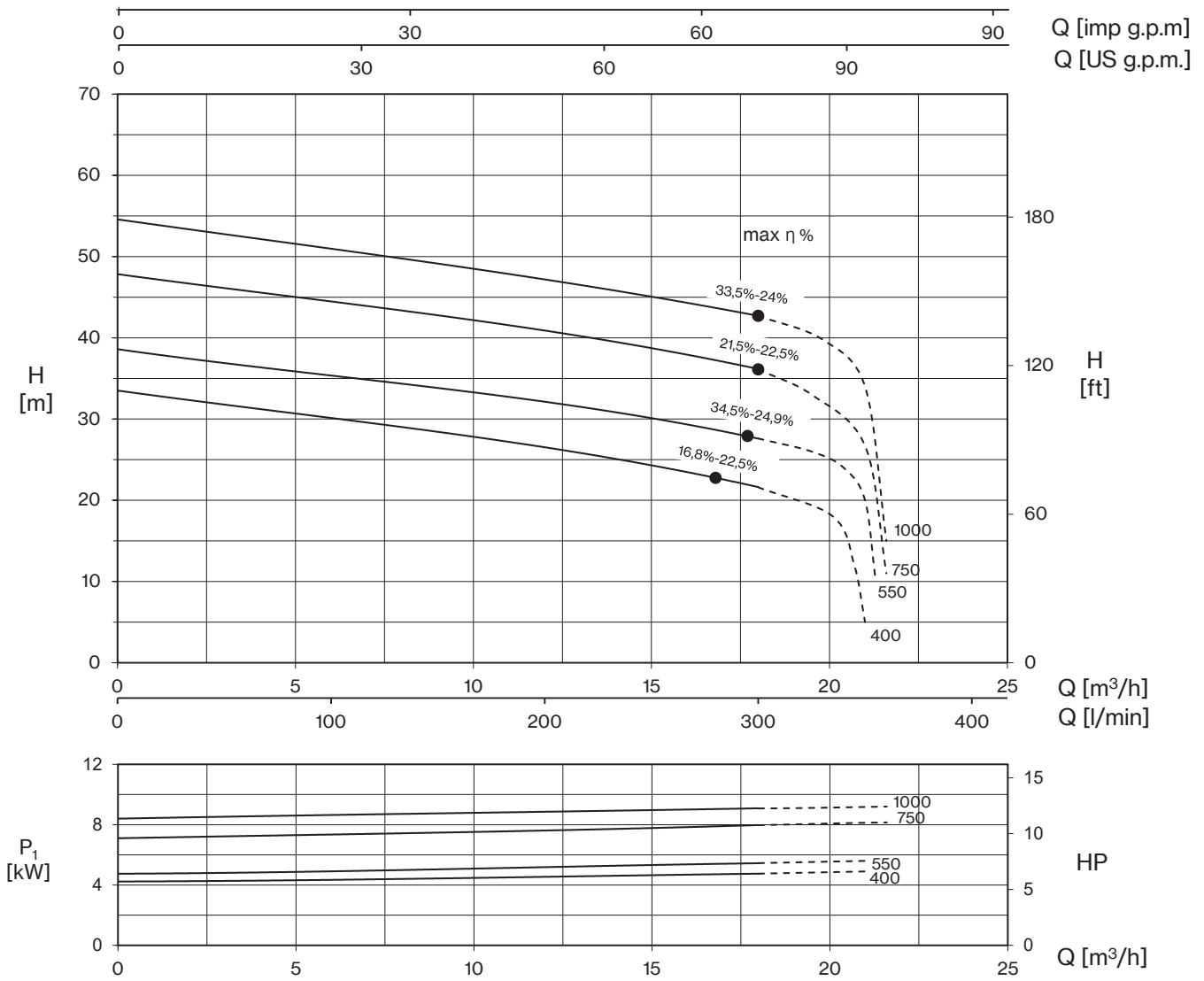
max hydraulic efficiency and respective total efficiency

(*) no standard execution

TYPE		P2		P1 (kW)		Q (m³/h - l/min)							
1~	3~	HP	kW	1~	3~	0	3	6	9	12	13,2	15	18
						0	50	100	150	200	220	250	300
						H (m)							
DTR 150	DTRT 150	1,5	1,1	2,6	2,5	19,4	18,5	17,3	16,0	14,2	13,5	12,3	9,9
DTR 200	DTRT 200	2	1,1	3	2,8	22,1	21,3	20,3	19,1	17,7	17,1	16	13,4
-	DTRT 300	3	2,2	-	3,2	26,1	25,2	24,3	23,3	22	21,4	20,3	18,2



DTR/DTRT



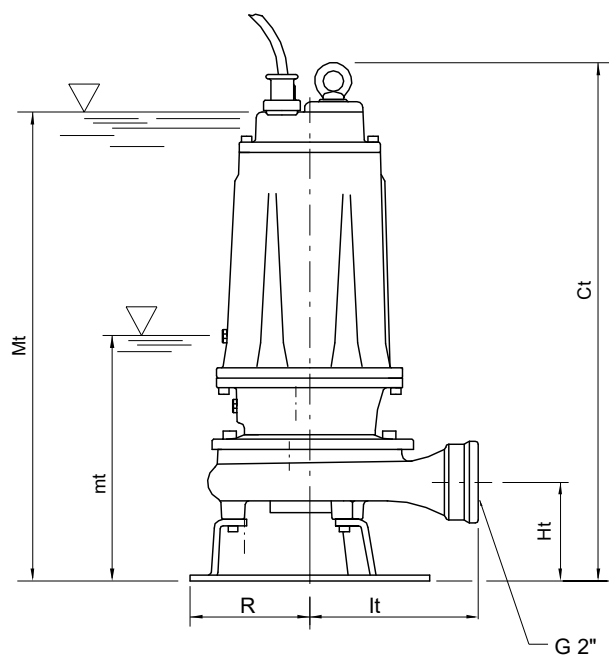
TYPE	AMPERE			
	3~ 230V 50 Hz (*)	3~ 400V 50 Hz	230/400V 50 Hz λ / Δ (*)	400/690V 50 Hz λ / Δ
DTRT 400	13,0	7,5	-	-
DTRT 550	15,9	9,2	-	-
DTRT 750	-	13,9	24	13,9
DTRT 1000	-	15,5	26,8	15,5

(*) no standard execution

+ max η %
max hydraulic efficiency and respective total efficiency

TYPE	P2		P1 (kW)	Q (m³/h - l/min)							
				0	3	6	9	12	15	18	
	HP	kW	3~	0	50	100	150	200	250	300	
	H (m)										
DTRT 400	4	3	4,5	33,5	31,8	30,1	28,5	26,4	24,4	21,6	
DTRT 550	5,5	4	5,3	38,6	36,9	35,3	33,9	32,1	30,1	27,6	
DTRT 750	7,5	5,5	8,0	47,8	46,2	44,5	42,7	40,8	38,9	36,1	
DTRT 1000	10	7,5	9,1	54,6	52,7	51,0	49,2	47,1	45,1	42,7	





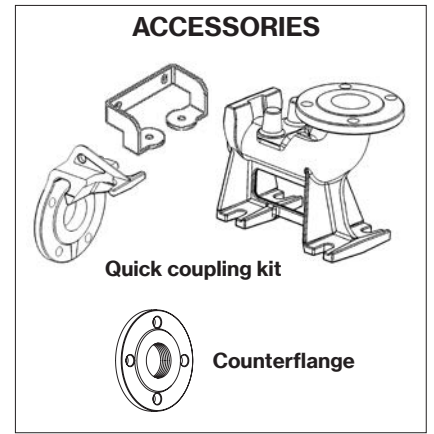
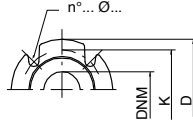
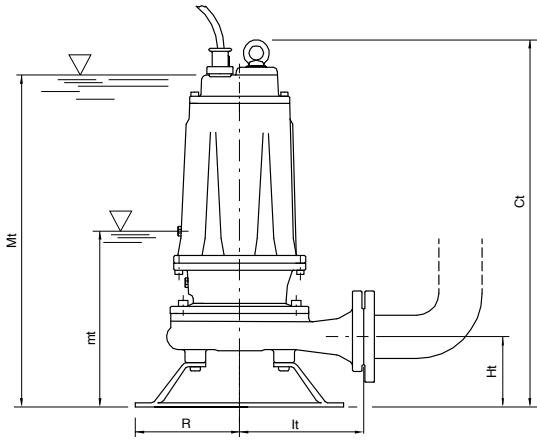
mt: minimum working level
 Mt: minimum submersion level for continuous duty

TYPE	DIMENSIONS (mm)							Kg
	Ct	Ht	R	lt	mt	Mt	DNM	
DTR 150 - DTRT 150	513	102	117	174	205	475	2" G	38
DTR 200 - DTRT 200	513	102	117	174	205	475	2" G	38,5
DTRT 300	513	102	117	174	205	475	2" G	38

TYPE	PROTECTION		1 PUMP CONTROL PANEL			2 PUMPS CONTROL PANEL		
	1- 230V	3- 400V	1- 230V	3- 400V	400/690 V	1- 230V	3- 400V	400/690 V
DTR 150	PMLD 15/35-13	PT 20-30-40/4.3-6.8	EQSM + 35µF + 80µF*	EQSMT 10		EQ2SM + 2×35µF + 2×80µF*	EQ2SMT 10	
DTR 200	PMLD 20/50-15	PT 20-30-40/4.3-6.8	EQSM + 50µF + 80µF*	EQSMT 10		EQ2SM + 2×50µF + 2×80µF*	EQ2SMT 10	
DTRT 300		PT 20-30-40/4.3-6.8		EQSMT 10			EQ2SMT 10	
DTRT 400		PT 40-50/5.7-9.1		EQSMT 10			EQ2SMT 10	
DTRT 550		PT 55-75/8.6-13.5		EQSMT 10			EQ2SMT 10	
DTRT 750		PT 100/12.5-16.5		EQSMT 10	QST 7		EQ2SMT 10	Q2ST 7
DTRT 1000		PT 125-150/16-21		EQSMT 10	QST 10		EQ2SMT 10	Q2ST 10

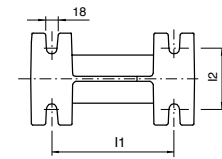
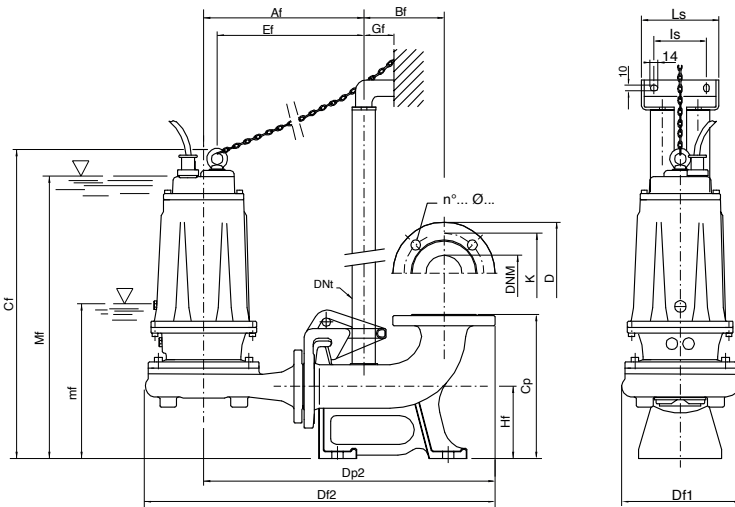
*start capacitor with disjuntor

DTR/DTRT



mt: minimum working level
Mt: minimum submersion level for continuous duty

TYPE	DIMENSIONS (mm)							Kg
	Ct	Ht	R	It	mt	Mt	DNM	
DTRT 400	595	112	160	190	265	550	50	62,5
DTRT 550	595	112	160	190	265	550	50	65,5
DTRT 750	680	160	180	250	280	630	65	91,5
DTRT 1000	680	160	180	250	280	630	65	94,5



mf: minimum working level
Mf: minimum submersion level for continuous duty

TYPE	DIMENSIONS (mm)																	
	Af	Bf	Cf	Cp	Df1	Df2	Dp2	Dnt	Ef	Gf	Hf	I1	I2	Is	Ls	mf	Mf	DNM
DTRT 400/P	300	145	614	260	237	654	538	1" 1/4	269	55	130	200	100	95	140	290	566	50
DTRT 550/P	300	145	614	260	237	654	538	1" 1/4	269	55	130	200	100	95	140	290	566	50
DTRT 750/P	331	145	656	260	279	710	569	1" 1/4	297	55	130	200	100	95	140	290	600	65
DTRT 1000/P	331	145	656	260	279	710	569	1" 1/4	297	55	130	250	100	95	140	290	600	65

Flange UNI PN 10 (mm)			
DNM	K	D	n°... Ø...
50	125	165	4... 18...
65	145	185	4... 18...

