

■ **CIRCUIT PROTECTORS**

■ **LOW VOLTAGE
CURRENT - LIMITING FUSES**



LOW
VOLTAGE
EQUIPMENT
Up to 600 Volts

INDIVIDUAL CATALOG 08
from D&C CATALOG 20th Edition

01 02 03 04 05 06 07 **08** 09 10 11 12

08

Circuit protectors Low voltage fuses



	Page
Circuit Protectors	
CP31F, 32F, 33F	08/1
CP31, 31D, 32D	08/5
CP31P, 32P, 33P	08/8
CP51B, 52B, 53B	08/14
CP31E, 32E, 33E, 34E, CP31V, 32V, 33V, 34V.....	08/19
Low Voltage Fuses	
General information.....	08/25
Current-limiting fuses	
AFaC, BaC.....	08/26
FCF, FCK.....	08/29
Super rapid fuses	
BLC, CR, CS.....	08/31

MINIMUM ORDERS

Orders amounting to **less than ¥10,000** net per order will be charged as ¥10,000 net per order plus freight and other charges.

WEIGHTS AND DIMENSIONS

Weights and dimensions appearing in this catalog are the best information available at the time of going to press. FUJI ELECTRIC FA has a policy of continuous product improvement, and design changes may make this information out of date.

Please confirm such details before planning actual construction.

INFORMATION IN THIS CATALOG IS SUBJECT TO CHANGE WITHOUT NOTICE.

CP-F slim type circuit protectors

250V AC/65V DC (1-pole) 0.1A to 30A
 250V AC/125V DC (2-pole) 0.1A to 30A
 250V AC (3-pole) 0.1A to 30A

■ Description

FUJI's compact and high-performance CP-F series circuit protectors incorporate FUJI's advanced technology. Their thin sizes make them ideal for use as AC/DC line switches in office and industrial equipment.

■ Features

- Only 17.5mm wide — mounting space is reduced by 30% compared with conventional types.
- AC/DC common use
- Available with auxiliary switch and alarm switch
- Also available in types having inertia delay characteristics
- Trip-free mechanism
- IEC rail mounting

■ Standards

UL (File No.E96846)
 TÜV (IEC)(R9650230)
 CCC (China GB)(2003010309067080)

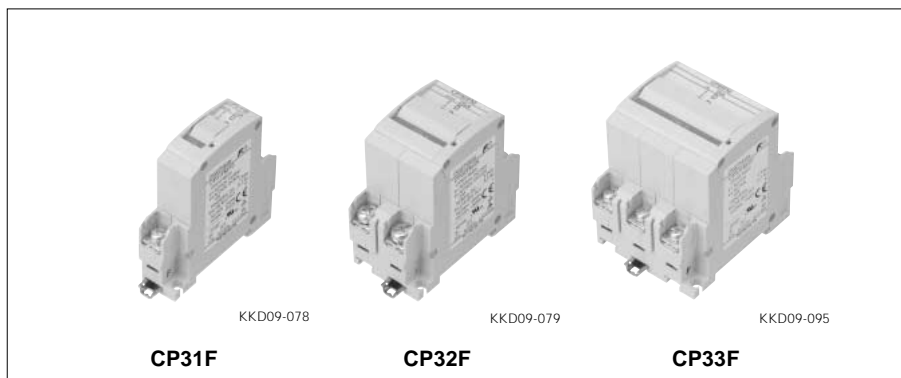
■ Accessories

● Auxiliary switch (Type W)

This switch is used for ON-OFF lamp indicator or control circuit.

● Alarm switch (Type K)

This switch can be connected to a warning lamp or buzzer to indicate when the circuit protector has been tripped. Auxiliary and alarm switches for low level circuit are also available on request. (Type W1, K1)



■ Specifications

Type	CP31F	CP32F	CP33F
Pole	1-pole	2-pole	3-pole
Rated insulation voltage (Ui)	250V AC 65V DC	250V AC 125V DC	250V AC —
Rated operational voltage (Ue)	240V AC 60V DC	240V AC 120V DC	240V AC —
Rated current	0.1, 0.3, 0.5, 1, 2, 3, 5, 7, 10, 15, 20, 25, 30A		
Rated breaking capacity	2500A at 240V AC 2500A at 60V DC (1-pole) 2500A at 120V DC (2-pole)		
Operating characteristic	Long time delay (AC circuit only) Medium time delay, Instantaneous tripping		
Tripping mechanism	Hydraulic-magnetic		
Ambient temperature	-10 to +60°C		
Dielectric strength	2000V AC 1min		
Electrical durability	10000 operations or more		
Terminals (Self-lifting)	Main circuit Auxiliary circuit	M5 (25A or over), M4 (20A or less) M3.5	
Mass (Approx.)	80g	160g	240g

Ratings of auxiliary and alarm switches

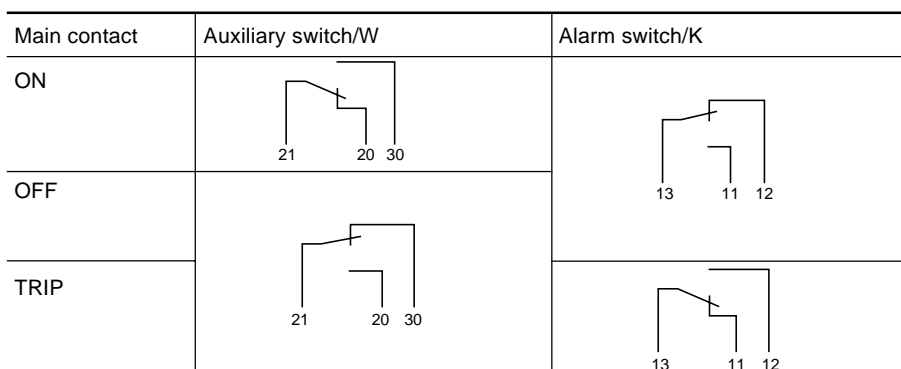
Standard type (Type W, K)

250V AC	Resistive load: 1A Inductive load: 0.5A
125V AC	Resistive load: 3A Inductive load: 1A
60V DC	Resistive load: 1A Inductive load: 0.5A
30V DC	Resistive load: 2A Inductive load: 1A

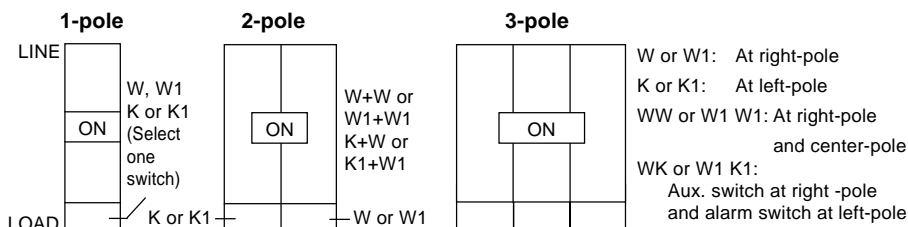
Minimum permissible load

For low level circuit (Type W1, K1)

24V DC	1mA
12V DC	2mA
6V DC	5mA



Number of auxiliary and alarm switches mountable

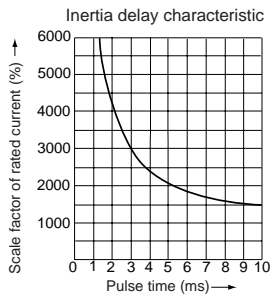


Circuit Protectors CP31F, 32F, 33F

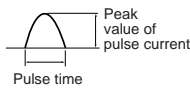
● Inertia delay device (Type D)

This inertia delay device is designed to prevent the circuit protector from operating erroneously due to such inrush current and to carry out an interruption within the prescribed operating characteristics in the face of an overcurrent.

The protector does not operate even when a pulse current of approx. 14 times (peak value) rated current with a pulse width of 10ms flows.

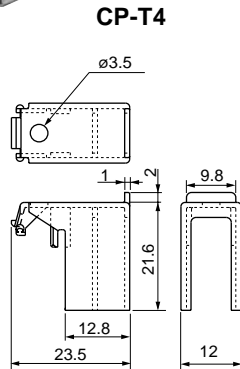
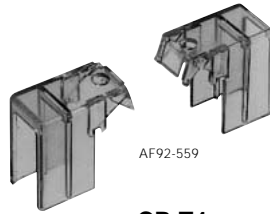


- Scale factor of the rated current (%)
Peak value of pulse current \times 100
Rated current of protector
- Waveform of pulse current:
Sinusoidal wave or parabolic pulse

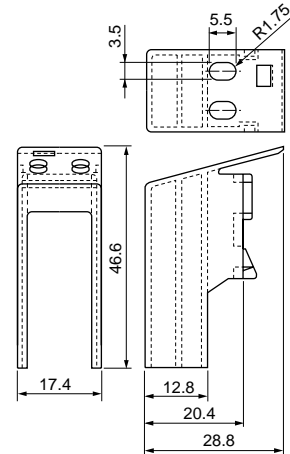


● Snap-on mounting terminal covers

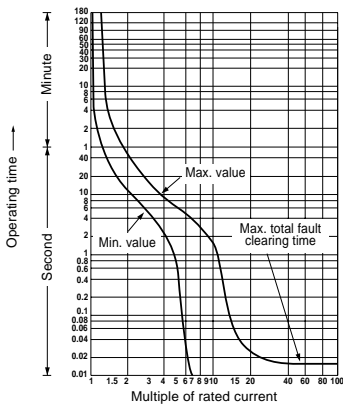
- For main terminal: CP-T4
- For auxiliary terminal: CP-T5



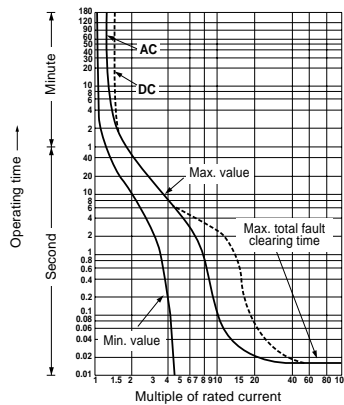
CP-T5



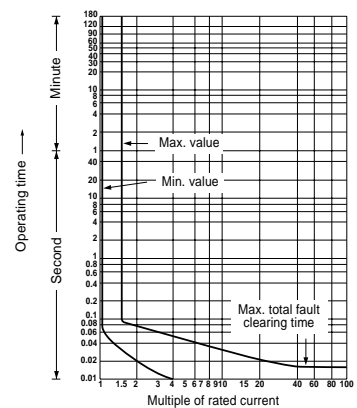
■ Characteristic curves Long time delay tripping type AC circuit only



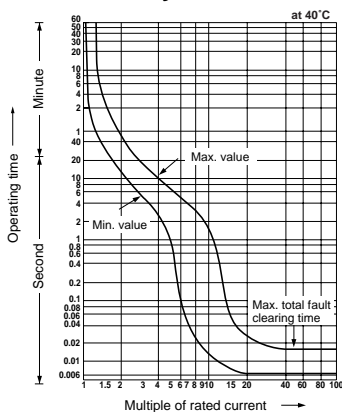
Medium time delay tripping type AC/DC circuit



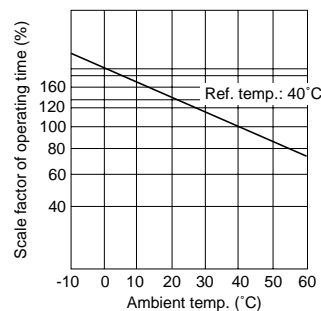
Instantaneous tripping type AC/DC circuit



Long time delay with inertia delay device AC circuit only



Ambient temperature compensation

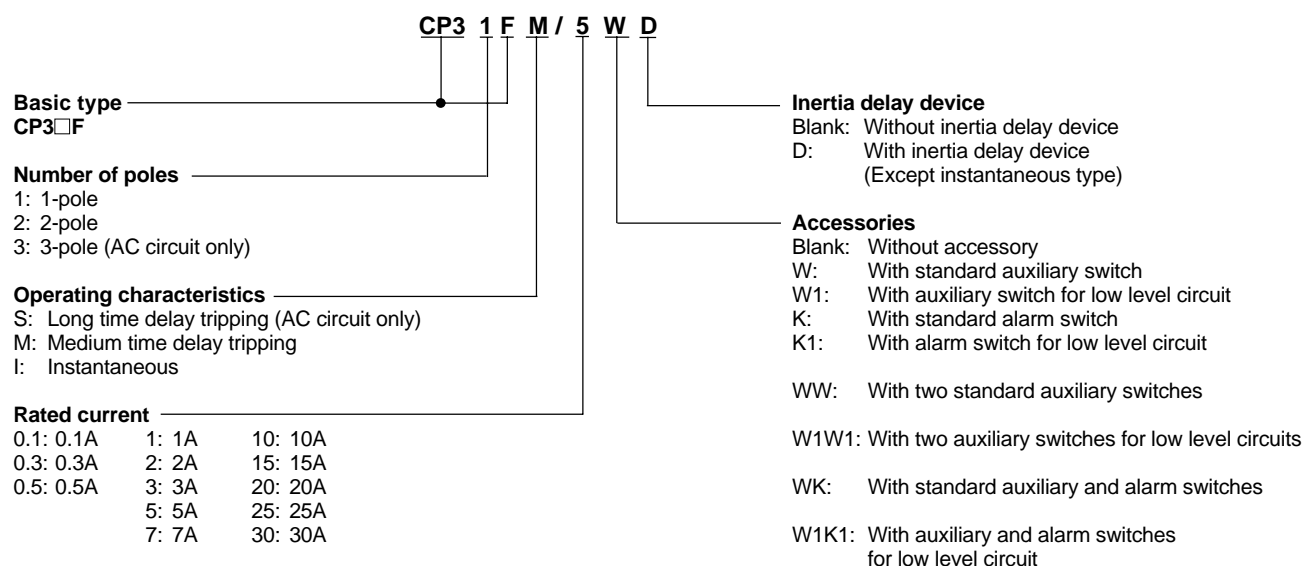


■ Versions

	Operating characteristic	CP31F (1-pole) Type	CP32F (2-pole) Type	CP33F (3-pole) Type
Without inertia delay device	Long time Medium time Instantaneous	CP31FS/□ CP31FM/□ CP31FI/□	CP32FS/□ CP32FM/□ CP32FI/□	CP33FS/□ CP33FM/□ CP33FI/□
With inertia delay device	Long time Medium time Instantaneous	CP31FS/□D CP31FM/□D —	CP32FS/□D CP32FM/□D —	CP33FS/□D CP33FM/□D —
With standard auxiliary switch	Long time Medium time Instantaneous	CP31FS/□W CP31FM/□W CP31FI/□W	CP32FS/□W CP32FM/□W CP32FI/□W	CP33FS/□W CP33FM/□W CP33FI/□W
With standard auxiliary switch and inertia delay device	Long time Medium time Instantaneous	CP31FS/□WD CP31FM/□WD —	CP32FS/□WD CP32FM/□WD —	CP33FS/□WD CP33FM/□WD —
With standard alarm switch	Long time Medium time Instantaneous	CP31FS/□K CP31FM/□K CP31FI/□K	CP32FS/□K CP32FM/□K CP32FI/□K	CP33FS/□K CP33FM/□K CP33FI/□K
With standard alarm switch and inertia delay device	Long time Medium time Instantaneous	CP31FS/□KD CP31FM/□KD —	CP32FS/□KD CP32FM/□KD —	CP33FS/□KD CP33FM/□KD —
With auxiliary switch for low level circuit	Long time Medium time Instantaneous	CP31FS/□W1 CP31FM/□W1 CP31FI/□W1	CP32FS/□W1 CP32FM/□W1 CP32FI/□W1	CP33FS/□W1 CP33FM/□W1 CP33FI/□W1
With auxiliary switch for low level circuit and inertia delay device	Long time Medium time Instantaneous	CP31FS/□W1D CP31FM/□W1D —	CP32FS/□W1D CP32FM/□W1D —	CP33FS/□W1D CP33FM/□W1D —
With alarm switch for low level circuit	Long time Medium time Instantaneous	CP31FS/□K1 CP31FM/□K1 CP31FI/□K1	CP32FS/□K1 CP32FM/□K1 CP32FI/□K1	CP33FS/□K1 CP33FM/□K1 CP33FI/□K1
With alarm switch for low level circuit and inertia delay device	Long time Medium time Instantaneous	CP31FS/□K1D CP31FM/□K1D —	CP32FS/□K1D CP32FM/□K1D —	CP33FS/□K1D CP33FM/□K1D —

Note : □ Enter the rated current in the □ mark of the type number. 0.1A: 0.1, 0.3A: 0.3, 0.5A: 0.5 ----- 30A: 30

■ Type number nomenclature



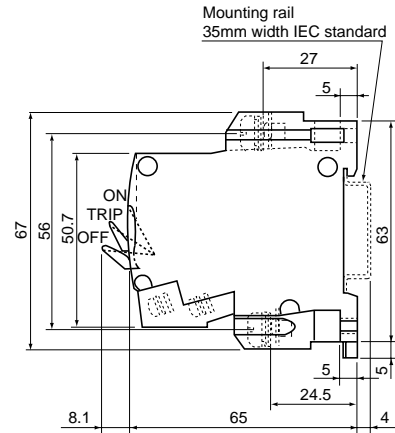
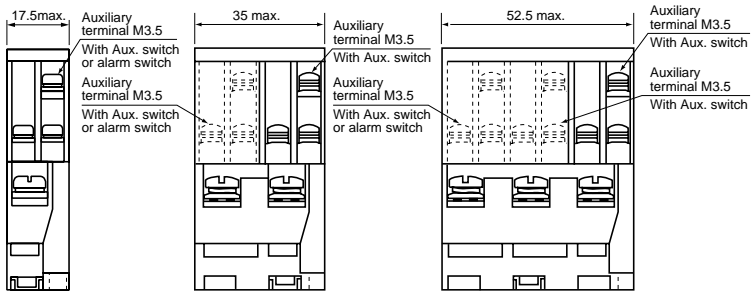
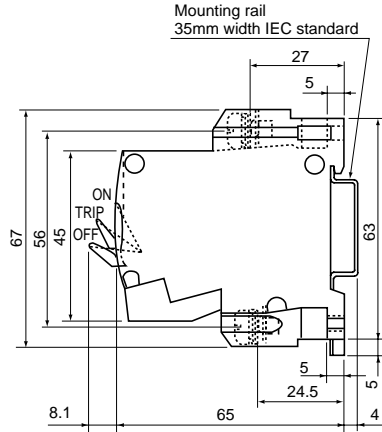
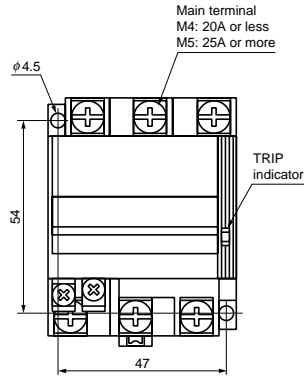
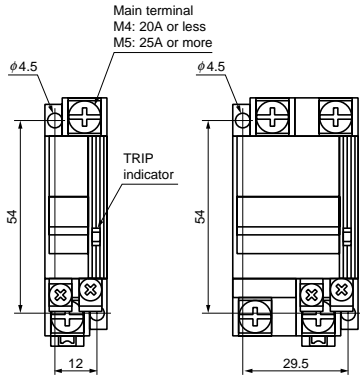
Circuit Protectors CP31F, 32F, 33F

■ Dimensions, mm

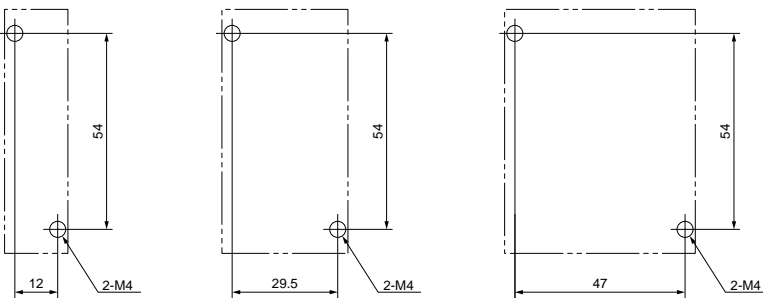
1-pole

2-pole

3-pole



Panel drilling



CP31, CP31D, CP32D circuit protectors

250V AC 0.3A to 30A
50V DC 0.3A to 30A

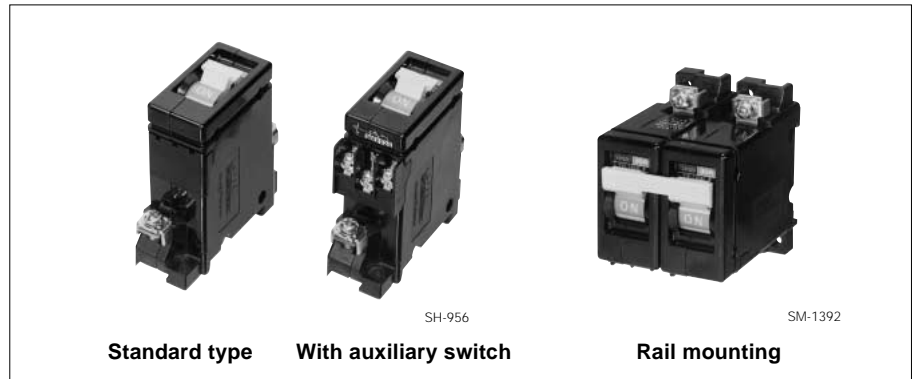
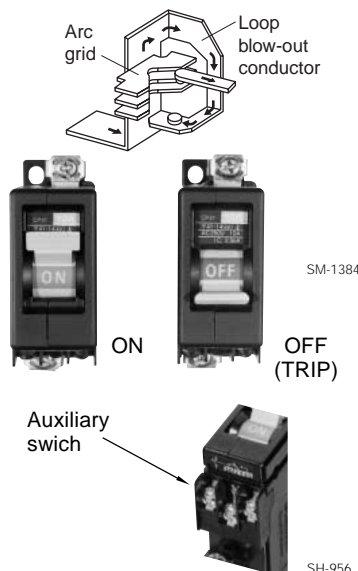
■ **Description**

The CP31 and CP32 have a similar functions to a molded case circuit breaker and they can be used for normal switching ON and OFF operations while breaking both overload and short-circuit currents. They are available in two time-current versions—an instantaneous and a time-delay version. A suitable type should be selected to match the thermal and permissible current requirements.

These are recommended for sequential control circuits, motor control circuits, solenoid-operated valves, heaters and solid-state applications.

■ **Features**

- Excellent arc interruption
Since the arc extinguisher uses a loop blow-out system the arc is rapidly extinguished.
- Highly visible handle indication ON shows red and OFF or TRIP blue.
- When positioned at ON the operating handle is completely housed inside the molded case and does not protrude.
This helps to prevent erroneous operation.
- Trip-free mechanism
- Also available with auxiliary switch SPDT.
- Two time-current versions—
instantaneous operation and a time delay type. Select the model best suited to your protection needs.
- CP31D and CP32D types are of front and rail dual mounting.



■ **Time-delay tripping type**

Rated current (A)	CP31 (1-pole) Front mounting Type	Rail mounting Type	CP31D (1-pole) Type	CP32D (2-pole) Type
0.3	CP31/0.3	CP31/0.3X	CP31D/0.3	CP32D/0.3
0.5	CP31/0.5	CP31/0.5X	CP31D/0.5	CP32D/0.5
1	CP31/1	CP31/1X	CP31D/1	CP32D/1
2	CP31/2	CP31/2X	CP31D/2	CP32D/2
3	CP31/3	CP31/3X	CP31D/3	CP32D/3
5	CP31/5	CP31/5X	CP31D/5	CP32D/5
7	CP31/7	CP31/7X	CP31D/7	CP32D/7
10	CP31/10	CP31/10X	CP31D/10	CP32D/10
15	CP31/15	CP31/15X	CP31D/15	CP32D/15
20	CP31/20	CP31/20X	CP31D/20	CP32D/20
25	CP31/25	CP31/25X	CP31D/25	CP32D/25
30	CP31/30	CP31/30X	CP31D/30	CP32D/30

■ **Typical applications**

These CP31 and CP32 protectors are used for normal on-off switching of the power supply while also providing overload protection of the load circuits.

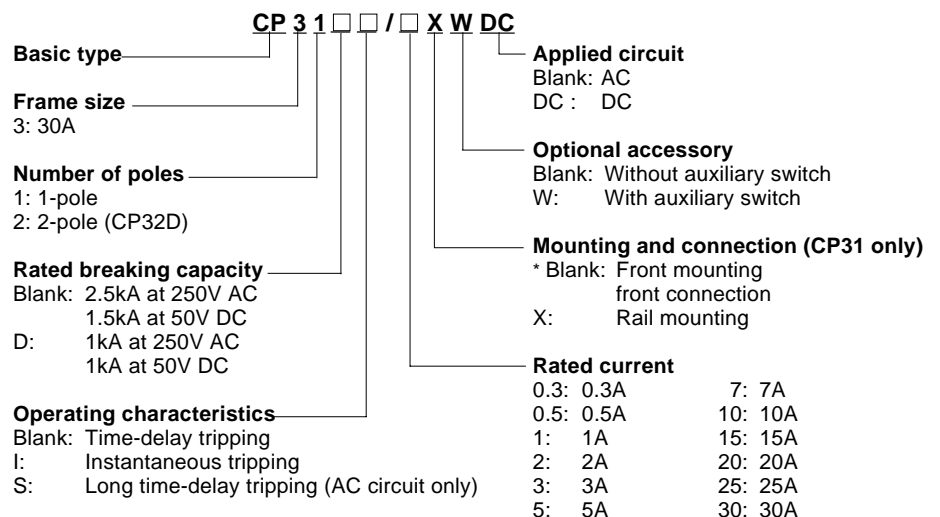
Time-delay tripping type

- Control circuits
- Solenoid valves and motor circuits
- Heater circuits

Instantaneous tripping type

- Semiconductor circuits
- SCR (Silicon controlled rectifier) and triac circuits
- Computer peripheral equipment

■ **Type number nomenclature**



* One and the same CP31D and CP32D can be used for both front mounting and rail mounting.

Circuit Protectors

CP31, CP31D, CP32D

■ Operation

The operation of the magnetic overload release of the CP31, CP31D and CP32D circuit protectors are as shown in the sectional diagram Fig. 1. The magnetic tripping element of the circuit protector is simple—a solenoid coil wound around a hermetically-sealed non-magnetic cylinder containing a spring-loaded movable iron core and a silicon fluid.

When currents less than the rated value flow no movement occurs in either the armature or iron core. However, when a sustained overcurrent occurs the magnetic field is increased. This causes the iron core to move along the cylinder. Once the core reaches the opposite end of the cylinder the armature is attracted which causes the protector to trip as shown in Fig. 2 and 3.

When a short circuit occurs the magnetic flux produced in the coil alone is strong enough to attract the armature regardless of core position. This causes circuit to be interrupted instantaneously. (Fig. 4)

Fig. 1 Normal load

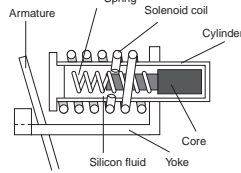


Fig. 2 Overcurrent

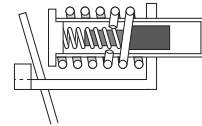


Fig. 3 Overcurrent trip

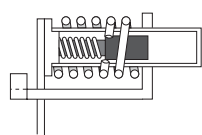
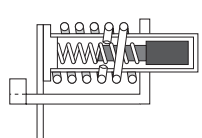
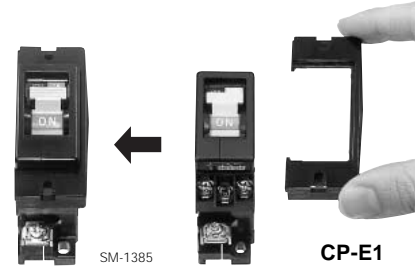


Fig. 4 Short-circuit current trip



■ Adaptor for flush mounting/CP-E1

These circuit protectors can be modified for flush mounting use by a snap-fitting adaptor CP-E1.



Flush mounting Front mounting

■ Snap-on mounting terminal covers

For main terminal: CP-T1
For auxiliary terminal: CP-T2

■ Specifications

Description	CP31	CP31D	CP32D
Pole	1-pole	1-pole	2-pole
Frame size	30 Amps.	30 Amps.	
Rated insulation voltage (Ui)	250V AC, 50V DC	250V AC, 50V DC	
Rated operational voltage (Ue)	250V AC, 50V DC	250V AC, 50V DC	
Rated current	0.3, 0.5, 1, 2, 3, 5, 7, 10, 15, 20, 25, 30A	0.3, 0.5, 1, 2, 3, 5, 7, 10, 15, 20, 25, 30A	
Rated breaking capacity	2500A at 250V AC 1500A at 50V DC	1000A at 250V AC 1000A at 50V DC	
Operating characteristic	Time-delay tripping Instantaneous tripping Long time delay tripping	Time-delay tripping Instantaneous tripping Long time delay tripping	
Ambient temperature	-10°C to +60°C	-10°C to +60°C	
Dielectric strength	2000V AC 1min.	2000V AC 1min.	
Mechanical durability	10000 operations	6000 operations	
Electrical durability	10000 operations	6000 operations	
Mass	Approx. 100g	Approx. 100g (1-pole), 200g (2-pole)	

Note: Specify DC only when ordering circuit protectors for DC circuits.

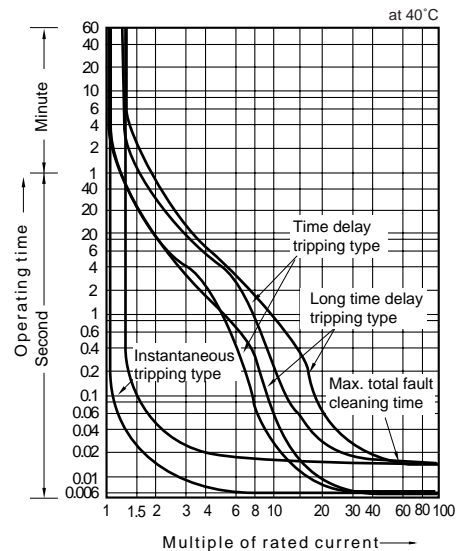
■ Auxiliary switch

Main contact	Auxiliary contact
ON 	
OFF or Trip 	

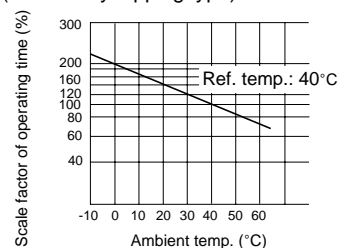
Auxiliary contact ratings

250V AC	Resistive load: 1A Inductive load: 0.5A
125V AC	Resistive load: 3A Inductive load: 1A
50V DC	Resistive load: 1A Inductive load: 0.5A
30V DC	Resistive load: 2A Inductive load: 1A

■ Characteristic curve

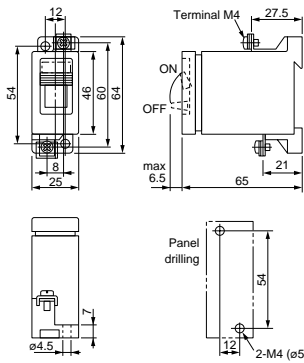


Ambient temperature compensation (Time delay tripping type)



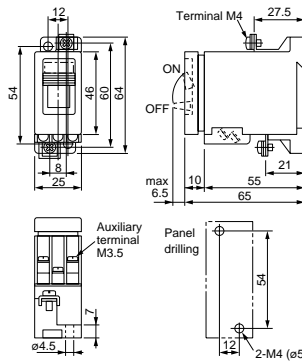
■ **Dimensions, mm**

● **CP31**
Front mounting type

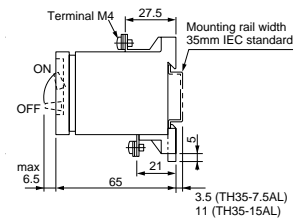


Mass: Approx. 100g

● **CP31/W**
With auxiliary switch



● **CP31/X**
Rail mounting type

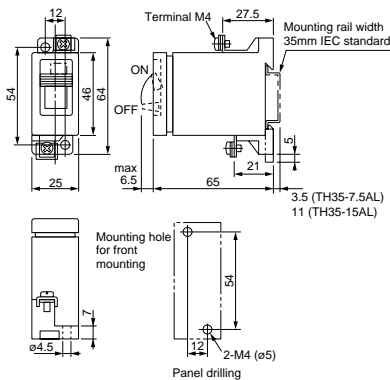


Mounting rail length: 900mm

Type	Material	Mounting pitch (Screw size)
TH35-7.5AL	Aluminium	200mm (M5)
TH35-15AL	Aluminium	400mm (M5)

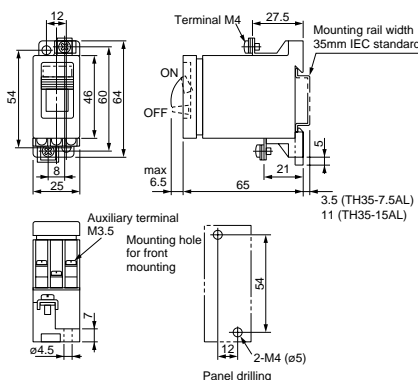
Clamp TS-XT

● **CP31D**
Front mounting/Rail mounting type

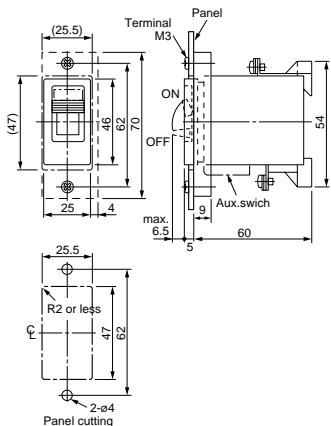


Mass: Approx. 100g

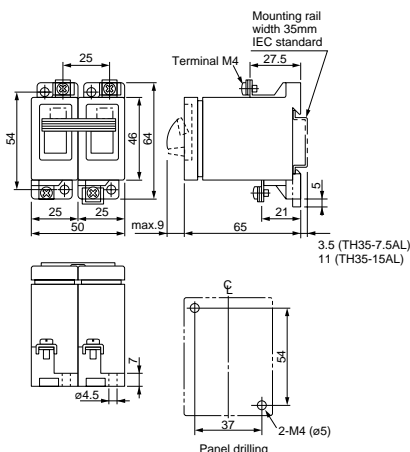
● **CP31D/W**
With auxiliary switch



● **CP31, CP31D**
Flush mounting type

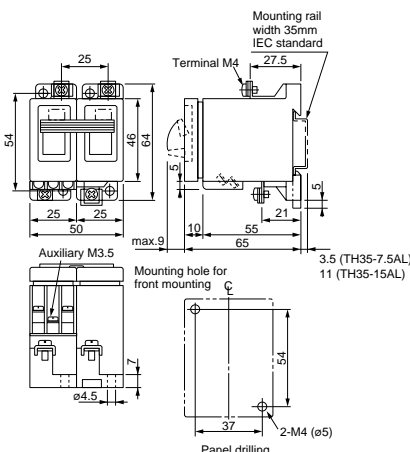


● **CP32D**
Front mounting/Rail mounting type



Mass: Approx. 200g

● **CP32D/W**
With auxiliary switch



Size of conductors

Type of terminal	Main terminal	Auxiliary terminal
Terminal screw*	M4	M3.5
Connectable wire sizes	1.25–5.5mm ²	1.25–2mm ²
Max. width of applicable crimp terminal	9.8mm (R1.25–4 to R5.5–4)	6.8mm (R2–3.5)
Tightening torque	1.0–1.3N·m	0.8–0.9N·m

Note: * Terminal screws are the self-lifting to facilitate wiring.

■ **Ordering information**

Specify the following:

1. Type number


Circuit Protectors

CP31P, 32P, 33P


CP-P circuit protectors

250V AC 0.3A to 25A
65V DC 0.3A to 25A


■ Description

CP-P circuit protectors are ideal for electronic circuit protection. The space required per pole is approximately 30% less than that for CP-E models allowing significant space savings. Application at any one of 12 rated currents in the range 0.3A to 25A is possible. CP-P circuit protectors have been approved by  and TÜV Standards.

■ Features

- The mounting space is approximately 30% less than that required with CP-E models, and the width per pole has been reduced by approximately 15%.
- Conforms to IEC Standards. (Conforms to CE markings.)
-  and TÜV approved.
- Operated with an easy-to-use toggle handle.
- Male tab soldering, and right angle terminals are available.

■ Standards

 (File No.E96846)
TÜV (IEC)(R9750278)

■ Accessories

● Auxiliary switch (Type W)

This switch is used for indicator lamp or control circuit.

● Alarm switch (Type K)

This switch can be connected to a warning lamp or buzzer to indicate when the circuit protector has been tripped.

Auxiliary and alarm switches for low level circuit are also available on request. (Type W1, K1)

Ratings of auxiliary and alarm switches

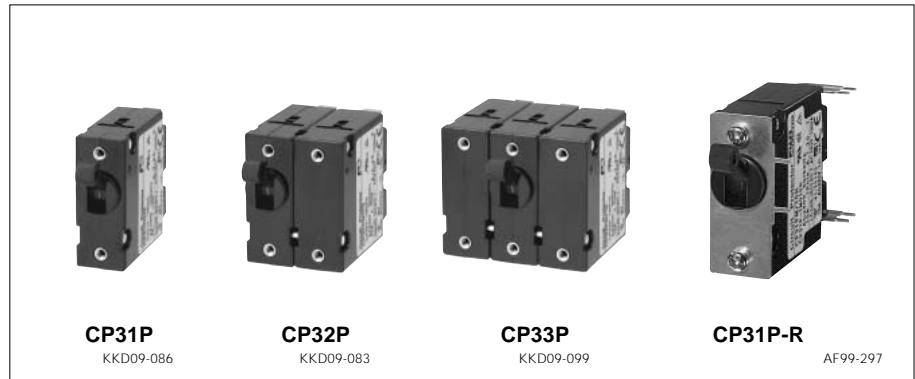
Standard type (Type W, K)

250V AC	Resistive load: 3A Inductive load: 2A
125V AC	Resistive load: 3A Inductive load: 2A
30V DC	Resistive load: 3A Inductive load: 2A

Minimum permissible load

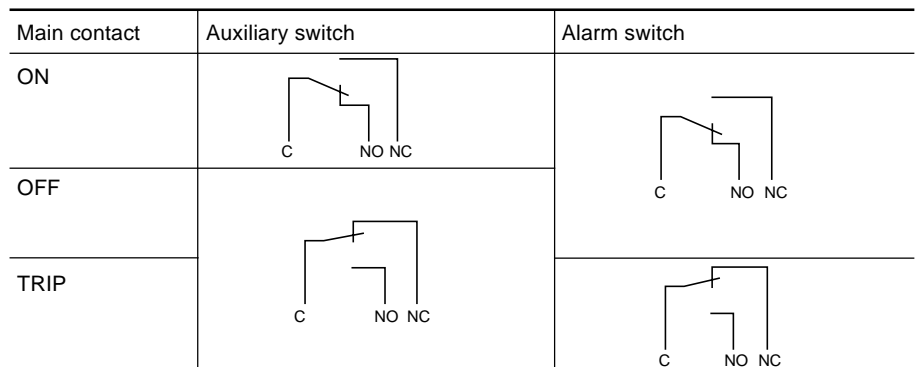
For low level circuit (Type W1, K1)

24V DC	1mA
12V DC	2mA
6V DC	5mA



■ Specifications

Type	CP31P	CP32P	CP33P	CP31P-R
Pole	1-pole	2-pole	3-pole	1-pole
Rated insulation voltage (Ui)	250V AC 50/60Hz, 65V DC			
Rated operational voltage (Ue)	240V AC, 60V DC			
Rated current	0.3, 0.5, 0.75, 1, 2, 3, 5, 7.5, 10, 15, 20, 25A			
Rated breaking capacity	1000A at 240V AC 1000A at 60V DC			
Operating characteristic	Long time delay, Medium time delay Short time delay, Instantaneous tripping			
Tripping mechanism	Hydraulic-magnetic			
Ambient temperature	-10°C to +60°C			
Electrical durability	10000 operations			
Terminals	Main circuit Auxiliary circuit	Tab Soldering		Right angle Right angle
Accessories	Auxiliary switch (W, W1) Alarm switch (K, K1)	Available Available		
Mass (Approx.)	40g	85g	130g	40g



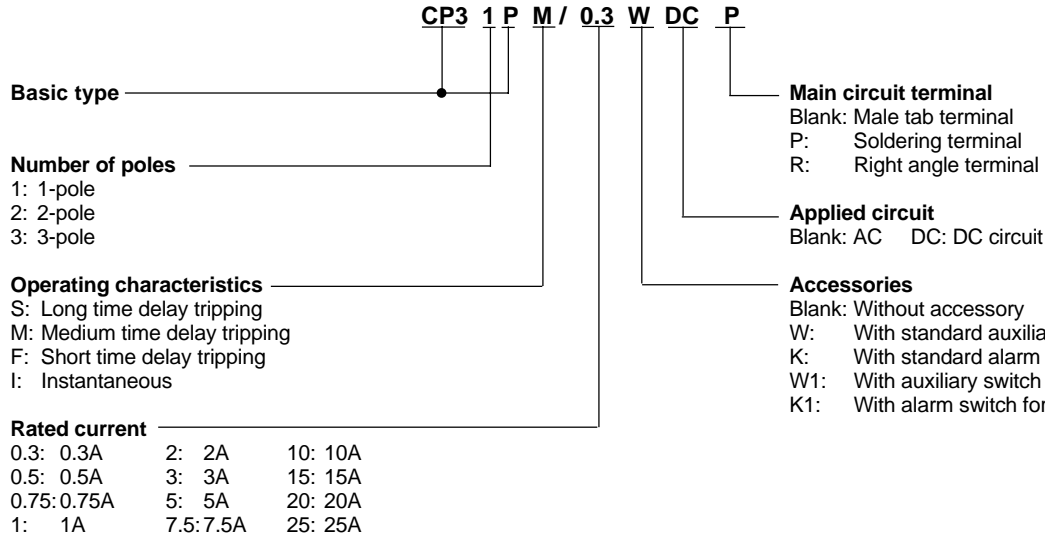
■ Versions

	Operating characteristic	CP31P (1-pole) Type	CP32P (2-pole) Type	CP33P (3-pole) Type
Applied circuit AC	Long time Medium time Short time Instantaneous	CP31PS/□ ■ CP31PM/□ ■ CP31PF/□ ■ CP31PI/□ ■	CP32PS/□ ■ CP32PM/□ ■ CP32PF/□ ■ CP32PI/□ ■	CP33PS/□ ■ CP33PM/□ ■ CP33PF/□ ■ CP33PI/□ ■
Applied circuit DC	Long time Medium time Short time Instantaneous	CP31PS/□DC ■ CP31PM/□DC ■ CP31PF/□DC ■ CP31PI/□DC ■	CP32PS/□DC ■ CP32PM/□DC ■ CP32PF/□DC ■ CP32PI/□DC ■	CP33PS/□DC ■ CP33PM/□DC ■ CP33PF/□DC ■ CP33PI/□DC ■
With standard auxiliary switch	Long time Medium time Short time Instantaneous	CP31PS/□W ■ CP31PM/□W ■ CP31PF/□W ■ CP31PI/□W ■	CP32PS/□W ■ CP32PM/□W ■ CP32PF/□W ■ CP32PI/□W ■	CP33PS/□W ■ CP33PM/□W ■ CP33PF/□W ■ CP33PI/□W ■
Applied circuit DC	Long time Medium time Short time Instantaneous	CP31PS/□WDC ■ CP31PM/□WDC ■ CP31PF/□WDC ■ CP31PI/□WDC ■	CP32PS/□WDC ■ CP32PM/□WDC ■ CP32PF/□WDC ■ CP32PI/□WDC ■	CP33PS/□WDC ■ CP33PM/□WDC ■ CP33PF/□WDC ■ CP33PI/□WDC ■
With standard alarm switch	Long time Medium time Short time Instantaneous	CP31PS/□K ■ CP31PM/□K ■ CP31PF/□K ■ CP31PI/□K ■	CP32PS/□K ■ CP32PM/□K ■ CP32PF/□K ■ CP32PI/□K ■	CP33PS/□K ■ CP33PM/□K ■ CP33PF/□K ■ CP33PI/□K ■
Applied circuit DC	Long time Medium time Short time Instantaneous	CP31PS/□KDC ■ CP31PM/□KDC ■ CP31PF/□KDC ■ CP31PI/□KDC ■	CP32PS/□KDC ■ CP32PM/□KDC ■ CP32PF/□KDC ■ CP32PI/□KDC ■	CP33PS/□KDC ■ CP33PM/□KDC ■ CP33PF/□KDC ■ CP33PI/□KDC ■
With auxiliary switch for low level circuit	Long time Medium time Short time Instantaneous	CP31PS/□W1 ■ CP31PM/□W1 ■ CP31PF/□W1 ■ CP31PI/□W1 ■	CP32PS/□W1 ■ CP32PM/□W1 ■ CP32PF/□W1 ■ CP32PI/□W1 ■	CP33PS/□W1 ■ CP33PM/□W1 ■ CP33PF/□W1 ■ CP33PI/□W1 ■
Applied circuit DC	Long time Medium time Short time Instantaneous	CP31PS/□W1DC ■ CP31PM/□W1DC ■ CP31PF/□W1DC ■ CP31PI/□W1DC ■	CP32PS/□W1DC ■ CP32PM/□W1DC ■ CP32PF/□W1DC ■ CP32PI/□W1DC ■	CP33PS/□W1DC ■ CP33PM/□W1DC ■ CP33PF/□W1DC ■ CP33PI/□W1DC ■
With alarm switch for low level circuit	Long time Medium time Short time Instantaneous	CP31PS/□K1 ■ CP31PM/□K1 ■ CP31PF/□K1 ■ CP31PI/□K1 ■	CP32PS/□K1 ■ CP32PM/□K1 ■ CP32PF/□K1 ■ CP32PI/□K1 ■	CP33PS/□K1 ■ CP33PM/□K1 ■ CP33PF/□K1 ■ CP33PI/□K1 ■
Applied circuit DC	Long time Medium time Short time Instantaneous	CP31PS/□K1DC ■ CP31PM/□K1DC ■ CP31PF/□K1DC ■ CP31PI/□K1DC ■	CP32PS/□K1DC ■ CP32PM/□K1DC ■ CP32PF/□K1DC ■ CP32PI/□K1DC ■	CP33PS/□K1DC ■ CP33PM/□K1DC ■ CP33PF/□K1DC ■ CP33PI/□K1DC ■

Notes : □ Enter the rated current in the □ mark of the type number. 0.3A: 0.3, 0.5A: 0.5 ----- 25A: 25
 ■ Enter the main circuit terminal in the ■ mark.

Circuit Protectors CP31P, 32P, 33P

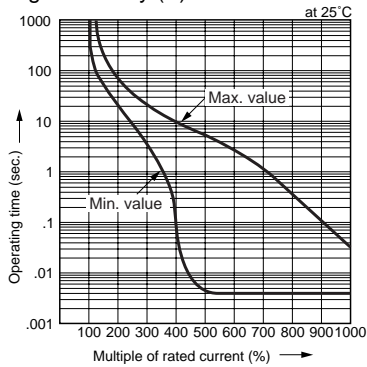
■ Type number nomenclature



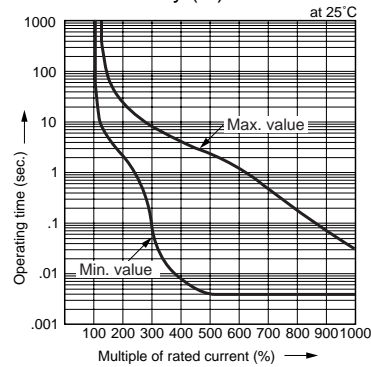
■ Characteristic curves

AC circuit

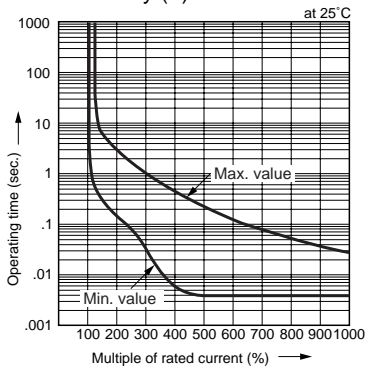
Long time delay (S)



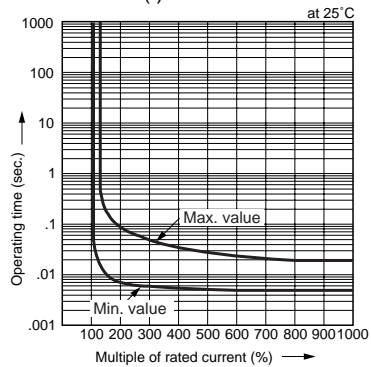
Medium time delay (M)



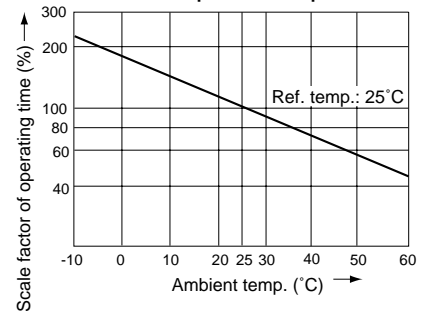
Short time delay (F)



Instantaneous (I)



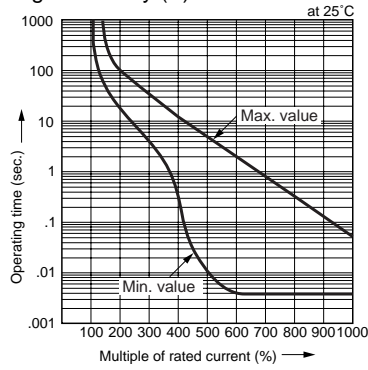
Ambient temperature compensation



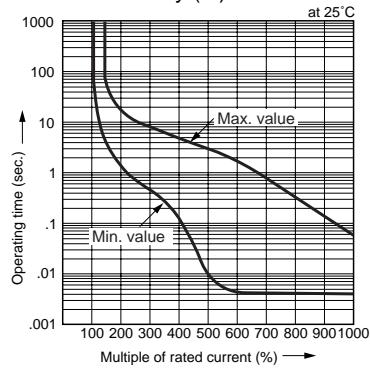
■ Characteristic curves

DC circuit

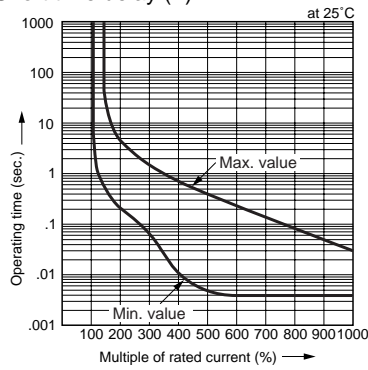
Long time delay (S)



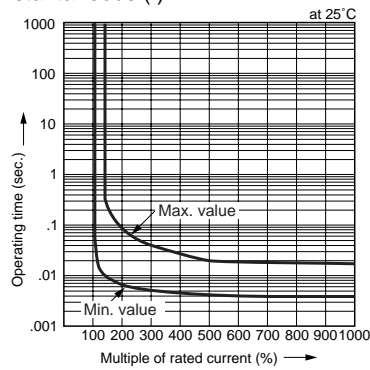
Medium time delay (M)



Short time delay (F)



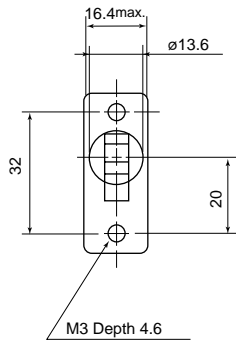
Instantaneous (I)



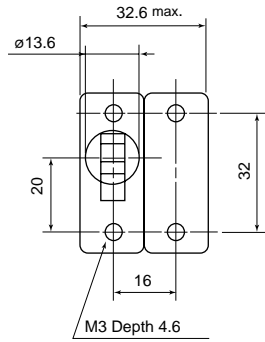
Circuit Protectors CP31P, 32P, 33P

■ Dimensions, mm

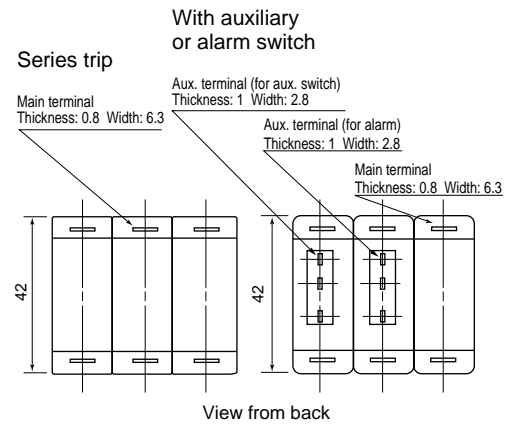
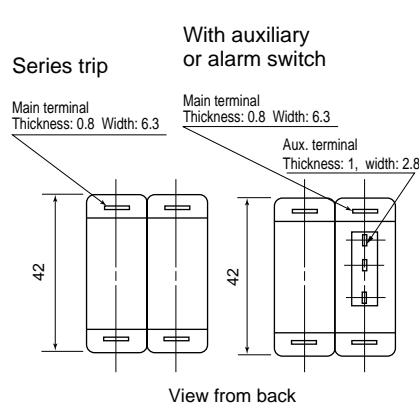
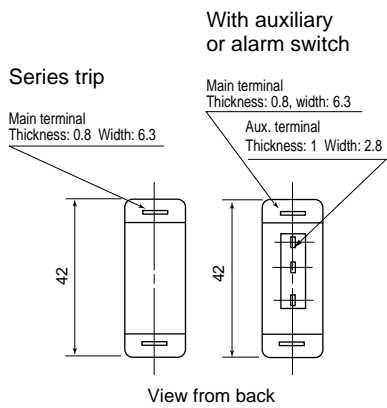
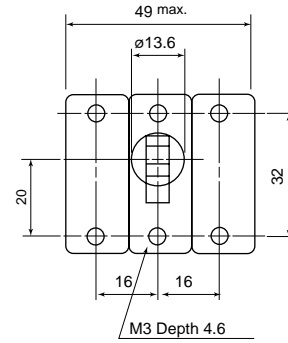
1-pole



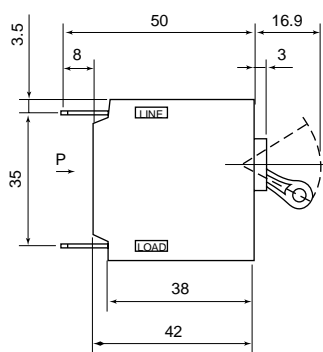
2-pole



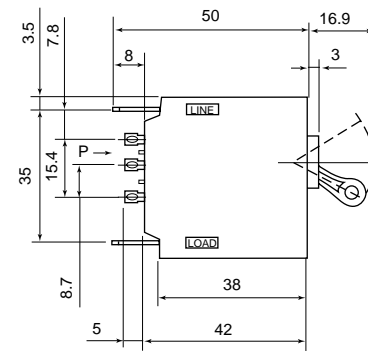
3-pole



Series trip

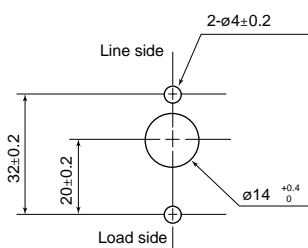


With auxiliary or alarm switch

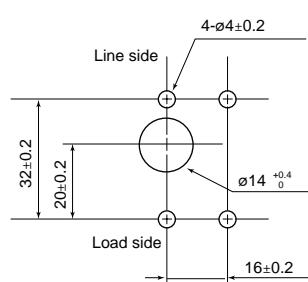


Panel drilling

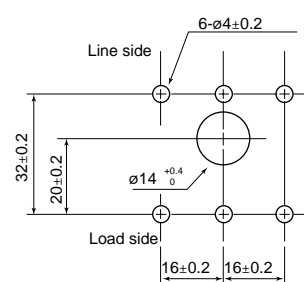
1-pole



2-pole

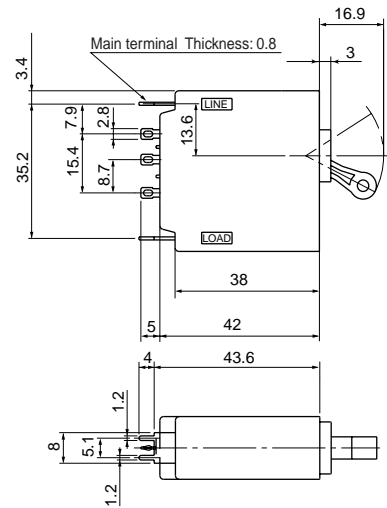


3-pole

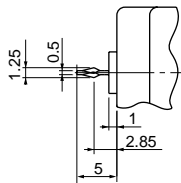


■ Dimensions, mm

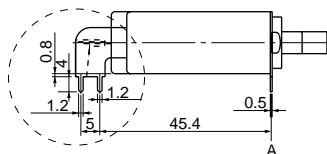
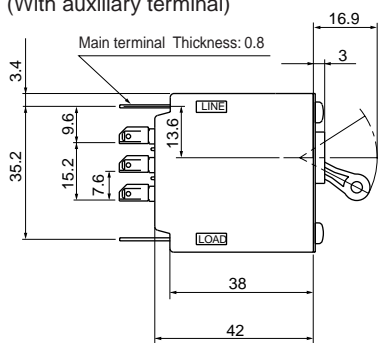
Soldering terminal
(With auxiliary terminal)



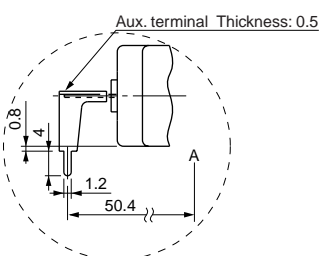
Aux. terminal



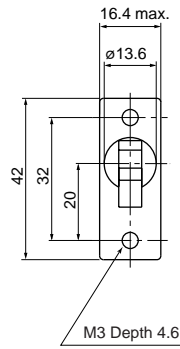
Right angle terminal
(With auxiliary terminal)



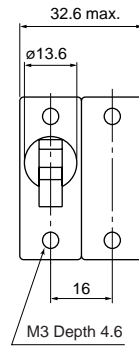
Aux. terminal (Enlarged)



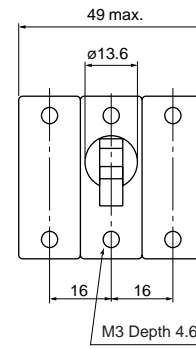
1-pole



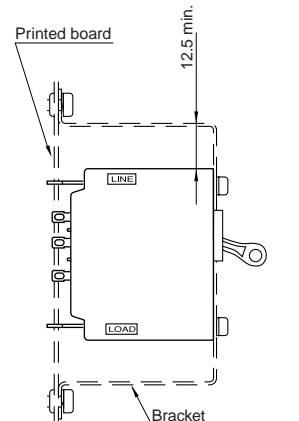
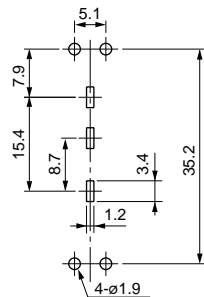
2-pole



3-pole

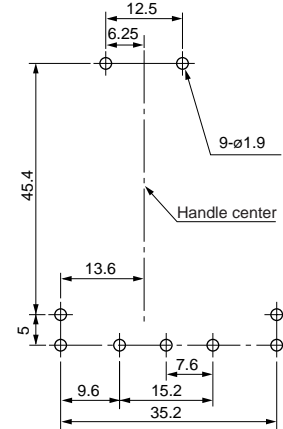


Panel drilling (1-pole)



Bracket
Not supplied.
Please prepare it on
customer's side.

Panel drilling




Circuit Protectors

CP51B, 52B, 53B


50A frame size circuit protectors

250V AC 0.3A to 50A
65V DC 0.3A to 50A

■ Features

- Available with ratings from 0.3A to 50A.
- Conforms to IEC Standards. (Conforms to CE markings.)
-  and TÜV approved.
- Rated breaking capacity of 1,500A at 240V AC.
- Stud terminals used.

■ Standards

 (File No.E96846)
TÜV (IEC)(R9750278)

■ Accessories

● Auxiliary switch (Type W)

This switch is used for ON-OFF lamp indicator or control circuit.

● Alarm switch (Type K)

This switch can be connected to a warning lamp or buzzer to indicate when the circuit protector has been tripped.

Auxiliary and alarm switch for low level circuit are also available on request. (Type W1, K1)

Ratings of auxiliary and alarm switches

Standard type (Type W, K)

250V AC	Resistive load: 3A Inductive load: 2A
125V AC	Resistive load: 3A Inductive load: 2A
30V DC	Resistive load: 3A Inductive load: 2A

Minimum permissible load

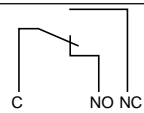

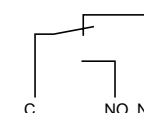

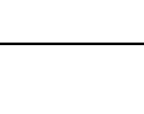

Low level circuit (Type W1, K1)

24V DC	1mA
12V DC	2mA
6V DC	5mA



■ Specifications

Type	CP51B	CP52B	CP53B
Pole	1-pole	2-pole	3-pole
Rated insulation voltage (Ui)	250V AC 50/60Hz, 65V DC		
Rated operational voltage (Ue)	240V AC, 60V DC		
Rated current	0.3, 0.5, 0.75, 1, 2, 3, 5, 7.5, 10, 15, 20, 25, 30, 40, 50A		
Rated breaking capacity	1500A at 240V AC 1000A at 60V DC		
Operating characteristic	Long time delay, Medium time delay Short time delay, Instantaneous tripping		
Tripping mechanism	Hydraulic-magnetic		
Ambient temperature	-10°C to +60°C		
Electrical durability	10000 operations		
Terminals	Main circuit Auxiliary circuit	Round stud Soldering	
Accessories	Auxiliary switch (W, W1) Alarm switch (K, K1)	Available Available	
Mass (Approx.)	80g	180g	280g

Main contact	Auxiliary switch/W	Alarm switch/K
ON		
OFF		
TRIP		

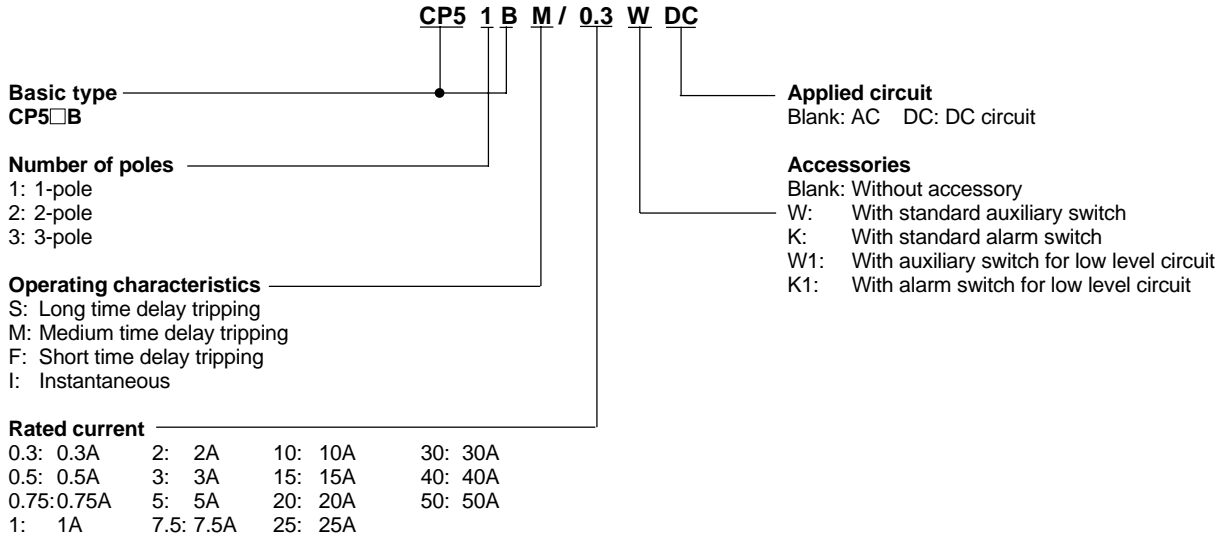
■ Versions

	Operating characteristic	CP51B (1-pole) Type	CP52B (2-pole) Type	CP53B (3-pole) Type
Applied circuit AC	Long time Medium time Short time Instantaneous	CP51BS/□ CP51BM/□ CP51BF/□ CP51BI/□	CP52BS/□ CP52BM/□ CP52BF/□ CP52BI/□	CP53BS/□ CP53BM/□ CP53BF/□ CP53BI/□
Applied circuit DC	Long time Medium time Short time Instantaneous	CP51BS/□DC CP51BM/□DC CP51BF/□DC CP51BI/□DC	CP52BS/□DC CP52BM/□DC CP52BF/□DC CP52BI/□DC	CP53BS/□DC CP53BM/□DC CP53BF/□DC CP53BI/□DC
With standard auxiliary switch	Long time Medium time Short time Instantaneous	CP51BS/□W CP51BM/□W CP51BF/□W CP51BI/□W	CP52BS/□W CP52BM/□W CP52BF/□W CP52BI/□W	CP53BS/□W CP53BM/□W CP53BF/□W CP53BI/□W
Applied circuit DC	Long time Medium time Short time Instantaneous	CP51BS/□WDC CP51BM/□WDC CP51BF/□WDC CP51BI/□WDC	CP52BS/□WDC CP52BM/□WDC CP52BF/□WDC CP52BI/□WDC	CP53BS/□WDC CP53BM/□WDC CP53BF/□WDC CP53BI/□WDC
With standard alarm switch	Long time Medium time Short time Instantaneous	CP51BS/□K CP51BM/□K CP51BF/□K CP51BI/□K	CP52BS/□K CP52BM/□K CP52BF/□K CP52BI/□K	CP53BS/□K CP53BM/□K CP53BF/□K CP53BI/□K
Applied circuit DC	Long time Medium time Short time Instantaneous	CP51BS/□KDC CP51BM/□KDC CP51BF/□KDC CP51BI/□KDC	CP52BS/□KDC CP52BM/□KDC CP52BF/□KDC CP52BI/□KDC	CP53BS/□KDC CP53BM/□KDC CP53BF/□KDC CP53BI/□KDC
With auxiliary switch for low level circuit	Long time Medium time Short time Instantaneous	CP51BS/□W1 CP51BM/□W1 CP51BF/□W1 CP51BI/□W1	CP52BS/□W1 CP52BM/□W1 CP52BF/□W1 CP52BI/□W1	CP53BS/□W1 CP53BM/□W1 CP53BF/□W1 CP53BI/□W1
Applied circuit DC	Long time Medium time Short time Instantaneous	CP51BS/□W1DC CP51BM/□W1DC CP51BF/□W1DC CP51BI/□W1DC	CP52BS/□W1DC CP52BM/□W1DC CP52BF/□W1DC CP52BI/□W1DC	CP53BS/□W1DC CP53BM/□W1DC CP53BF/□W1DC CP53BI/□W1DC
With alarm switch for low level circuit	Long time Medium time Short time Instantaneous	CP51BS/□K1 CP51BM/□K1 CP51BF/□K1 CP51BI/□K1	CP52BS/□K1 CP52BM/□K1 CP52BF/□K1 CP52BI/□K1	CP53BS/□K1 CP53BM/□K1 CP53BF/□K1 CP53BI/□K1
Applied circuit DC	Long time Medium time Short time Instantaneous	CP51BS/□K1DC CP51BM/□K1DC CP51BF/□K1DC CP51BI/□K1DC	CP52BS/□K1DC CP52BM/□K1DC CP52BF/□K1DC CP52BI/□K1DC	CP53BS/□K1DC CP53BM/□K1DC CP53BF/□K1DC CP53BI/□K1DC

Note : □ Enter the rated current in the □ mark of the type number. 0.3A: 0.3, 0.5A: 0.5 ----- 50A: 50

Circuit Protectors CP51B, 52B, 53B

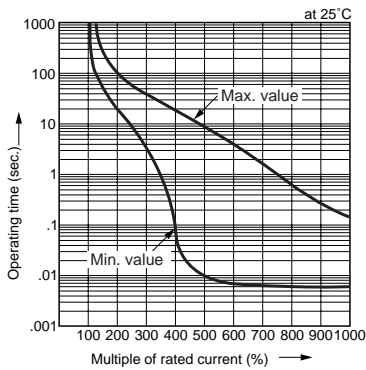
■ Type number nomenclature



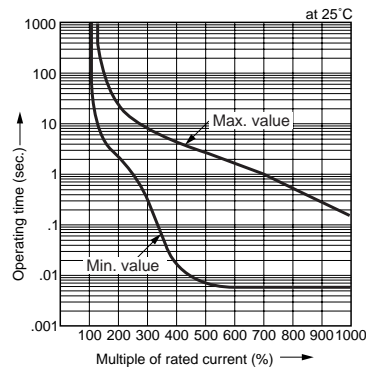
■ Characteristic curves

AC circuit

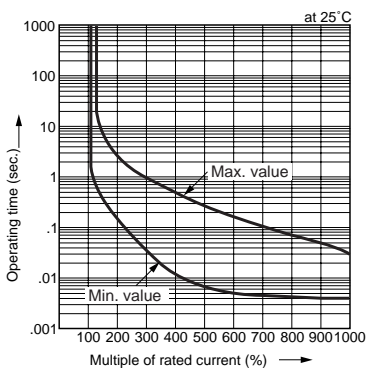
Long time delay (S)



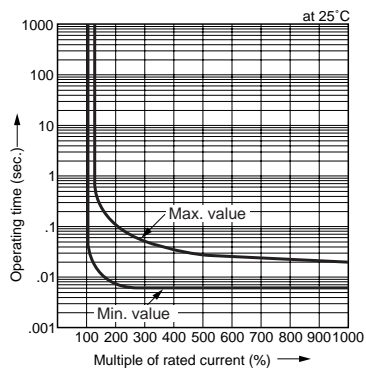
Medium time delay (M)



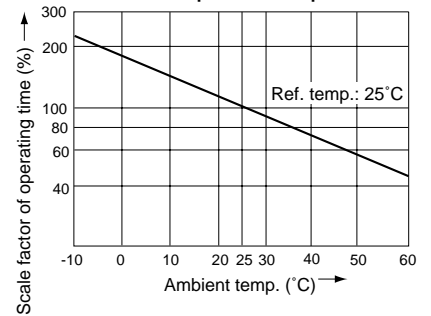
Short time delay (F)



Instantaneous (I)



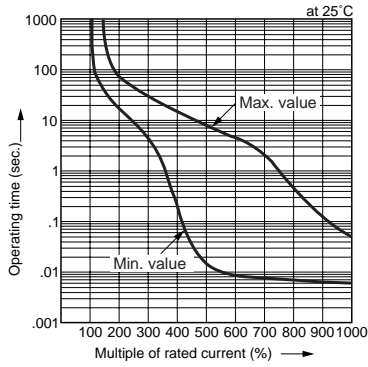
Ambient temperature compensation



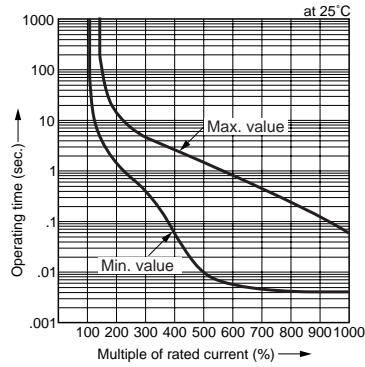
■ Characteristic curves

DC circuit

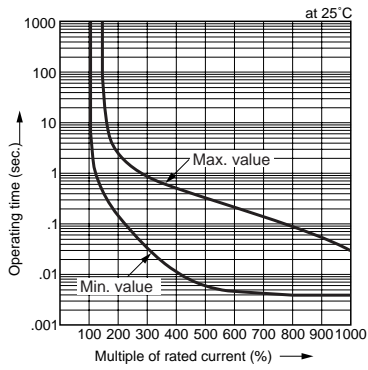
Long time delay (S)



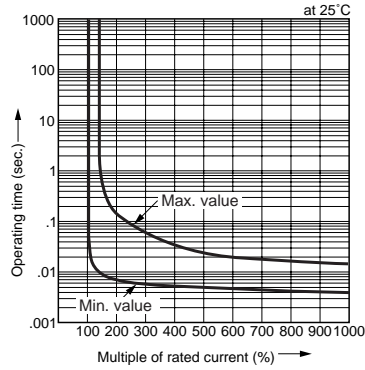
Medium time delay (M)



Short time delay (F)

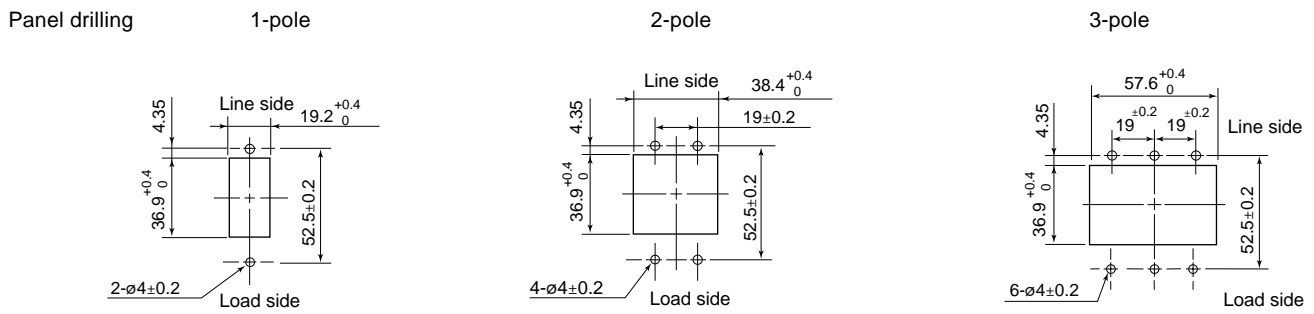
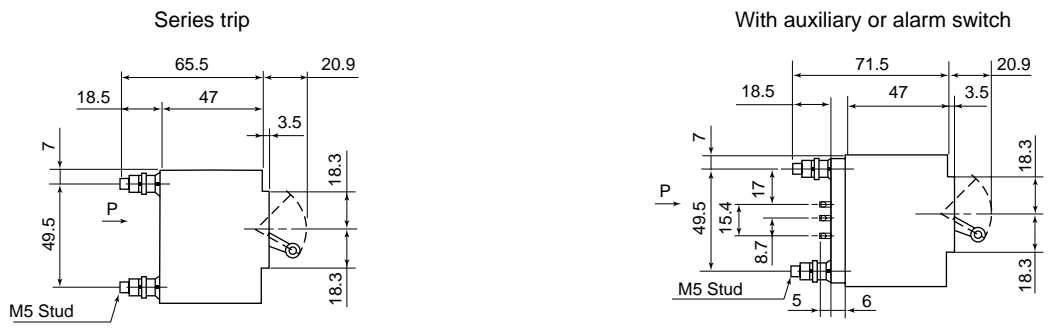
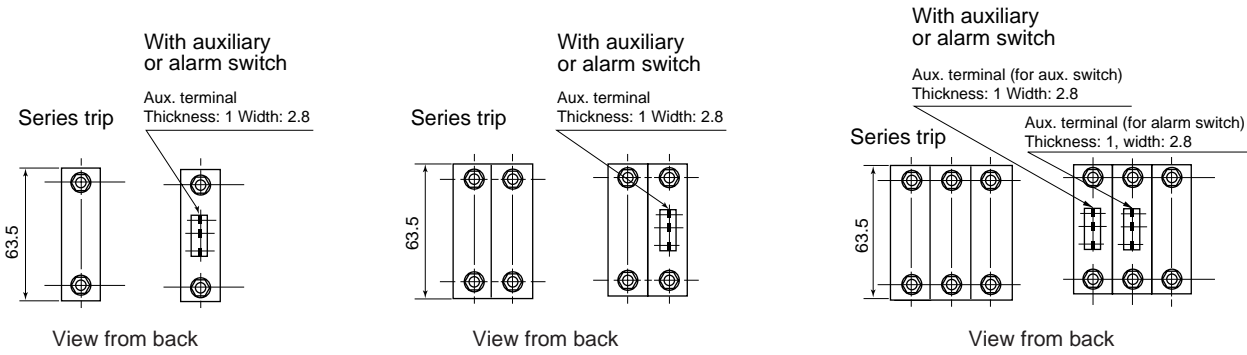
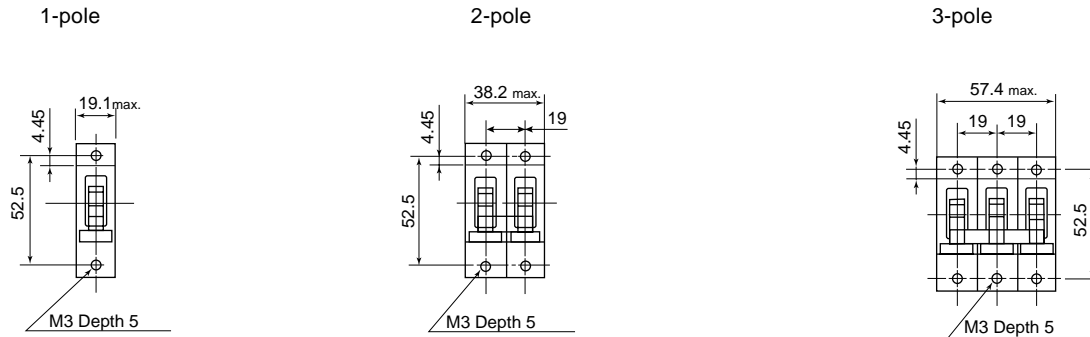


Instantaneous (I)



Circuit Protectors CP51B, 52B, 53B

■ Dimensions, mm



CP-E and CP-V circuit protectors

250V AC 0.05A to 30A
 65V DC 0.05A to 30A

■ **Description**

CP-E, CP-V circuit protectors have been specially developed for computers, communication equipment and peripheral applications. In these situations power irregularities can lead to serious and expensive damage, and reliable protective equipment is required. FUJI circuit protectors meet this need. These protectors are available with ratings from 50mA to 30A. They are widely used in FA, office machinery, communication equipment and industrial computer-controlled equipment. They are also suitable for extremely severe service since they can withstand mechanical shocks up to 981m/s².

■ **Features**

- Available in instantaneous, short time, medium time and long time delay types, thus making them suitable for a wide range of electronic applications.
- Also available in types having inertia delay characteristics. These do not trip due to inrush current.
- For internal circuits, series trip, shunt trip, relay trip and switch types are available.
- Circuit protectors with an auxiliary and alarm switch are also available.
- Single pole to 3-pole CP types can be operated with a single handle. Handle holes are easily made in panels.
- Widths down to 19mm.

■ **Standards**

UL: CP-E, CP-V (File No. E96846), (File No. E83461 for switch type), Socket CP-S (E96846SP, E83461, LR67978 (CSA C22.2 No.14))
 TÜV (IEC): CP-V(R50064785)

■ **Accessories**

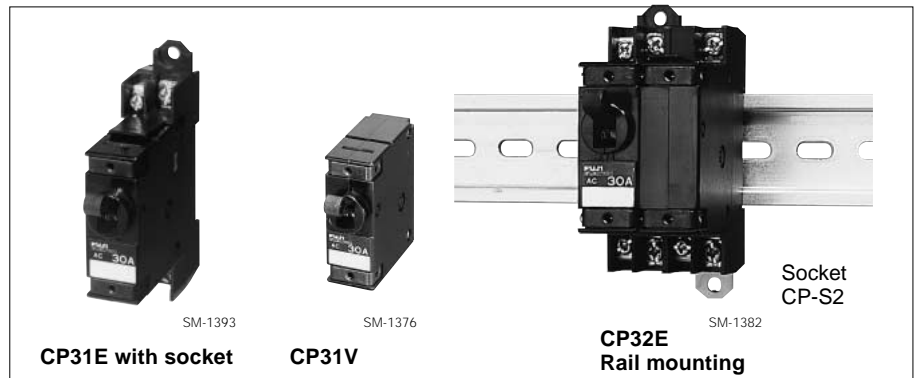
● **Auxiliary switch (Type W)**

This switch is used for indicator lamp or control circuit.

● **Alarm switch (Type K)**

This switch can be connected to a warning lamp or buzzer to indicate when the circuit protector has been tripped.

Auxiliary (W1) and alarm (K1) switch for low level circuit are also available on request.



■ **Specifications**

Type	CP31E, V	CP32E, V	CP33E, V	CP34E, V
Pole	1-pole	2-pole	3-pole	4-pole
Rated insulation voltage (Ui)	250V AC 50/60Hz, 65V DC			
Rated operational voltage (Ue)	250V AC 50/60Hz, 60V DC			
Rated current	0.05, 0.1, 0.25, 0.5, 0.75, 1, 2, 2.5, 3, 5, 7.5, 10, 15, 20, 25, 30A			
Rated breaking capacity	1000A at 250V AC 1000A at 60V DC			
Operating characteristic	Long time delay, Medium time delay Short time delay, Instantaneous tripping			
Tripping mechanism	Hydraulic-magnetic			
Ambient temperature	-10°C to +60°C			
Electrical durability	10000 operations			
Terminals	Main circuit	Tab, screw, printed board		
	Auxiliary circuit	Tab, printed board		
Accessories	Auxiliary switch (W, W1)	Available		
	Alarm switch (K, K1)	Available		
	Inertia delay device (D)	Available		
Mass (Approx.)	60g	120g	180g	240g

Ratings of auxiliary and alarm switches

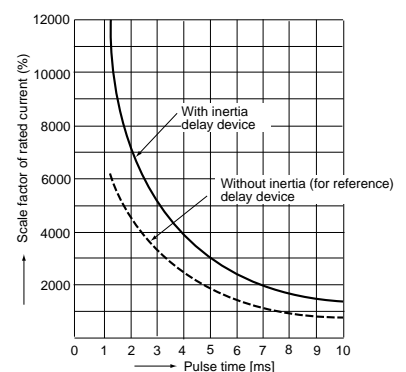
250V AC	Resistive load: 3A Inductive load: 2A
125V AC	Resistive load: 5A Inductive load: 3A
60V DC	Resistive load: 1A Inductive load: 0.5A
30V DC	Resistive load: 4A Inductive load: 3A

● **Inertia delay device (Type D)**

When a circuit carrying loads such as transformers or lamps is closed, an extremely large inrush current flows. This inertia delay device is designed to prevent the circuit protector from operating erroneously due to such inrush current and to carry out an interruption within the prescribed operating characteristics in the face of an overcurrent.

For instance, the following graph explains that the protector does not operate even when a pulse current of approx. 18 times (peak value) rated current with a pulse width of 8ms flows.

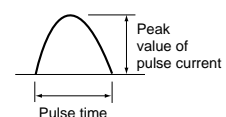
Inertia delay characteristics



- Scale factor of the rated current (%)

$$\frac{\text{Peak value of pulse current}}{\text{Rated current for protector}} \times 100$$

- Waveform of pulse current: Sinusoidal wave or parabolic pulse



Circuit Protectors

CP31E, 32E, 33E, 34E

■ Versions

Internal circuit	Operating characteristics	CP31E (1-pole) Type	CP32E (2-pole) Type	CP33E (3-pole) Type	CP34E (4-pole) Type
Series trip type	Long time Medium time Short time Instantaneous	CP31E/ <input type="checkbox"/> CP31EM/ <input type="checkbox"/> CP31EF/ <input type="checkbox"/> CP31EI/ <input type="checkbox"/>	CP32E/ <input type="checkbox"/> CP32EM/ <input type="checkbox"/> CP32EF/ <input type="checkbox"/> CP32EI/ <input type="checkbox"/>	CP33E/ <input type="checkbox"/> CP33EM/ <input type="checkbox"/> CP33EF/ <input type="checkbox"/> CP33EI/ <input type="checkbox"/>	CP34E/ <input type="checkbox"/> CP34EM/ <input type="checkbox"/> CP34EF/ <input type="checkbox"/> CP34EI/ <input type="checkbox"/>
Series trip type With inertia delay device	Long time Medium time Short time Instantaneous	CP31E/ <input type="checkbox"/> <input type="checkbox"/> CP31EM/ <input type="checkbox"/> <input type="checkbox"/> CP31EF/ <input type="checkbox"/> <input type="checkbox"/> —	CP32E/ <input type="checkbox"/> <input type="checkbox"/> CP32EM/ <input type="checkbox"/> <input type="checkbox"/> CP32EF/ <input type="checkbox"/> <input type="checkbox"/> —	CP33E/ <input type="checkbox"/> <input type="checkbox"/> CP33EM/ <input type="checkbox"/> <input type="checkbox"/> CP33EF/ <input type="checkbox"/> <input type="checkbox"/> —	CP34E/ <input type="checkbox"/> <input type="checkbox"/> CP34EM/ <input type="checkbox"/> <input type="checkbox"/> CP34EF/ <input type="checkbox"/> <input type="checkbox"/> —
Series trip type With auxiliary switch	Long time Medium time Short time Instantaneous	CP31E/ <input type="checkbox"/> <input type="checkbox"/> CP31EM/ <input type="checkbox"/> <input type="checkbox"/> CP31EF/ <input type="checkbox"/> <input type="checkbox"/> CP31EI/ <input type="checkbox"/> <input type="checkbox"/>	CP32E/ <input type="checkbox"/> <input type="checkbox"/> CP32EM/ <input type="checkbox"/> <input type="checkbox"/> CP32EF/ <input type="checkbox"/> <input type="checkbox"/> CP32EI/ <input type="checkbox"/> <input type="checkbox"/>	CP33E/ <input type="checkbox"/> <input type="checkbox"/> CP33EM/ <input type="checkbox"/> <input type="checkbox"/> CP33EF/ <input type="checkbox"/> <input type="checkbox"/> CP33EI/ <input type="checkbox"/> <input type="checkbox"/>	CP34E/ <input type="checkbox"/> <input type="checkbox"/> CP34EM/ <input type="checkbox"/> <input type="checkbox"/> CP34EF/ <input type="checkbox"/> <input type="checkbox"/> CP34EI/ <input type="checkbox"/> <input type="checkbox"/>
Series trip type With auxiliary switch and inertia delay device	Long time Medium time Short time Instantaneous	CP31E/ <input type="checkbox"/> <input type="checkbox"/> <input type="checkbox"/> CP31EM/ <input type="checkbox"/> <input type="checkbox"/> <input type="checkbox"/> CP31EF/ <input type="checkbox"/> <input type="checkbox"/> <input type="checkbox"/> —	CP32E/ <input type="checkbox"/> <input type="checkbox"/> <input type="checkbox"/> CP32EM/ <input type="checkbox"/> <input type="checkbox"/> <input type="checkbox"/> CP32EF/ <input type="checkbox"/> <input type="checkbox"/> <input type="checkbox"/> —	CP33E/ <input type="checkbox"/> <input type="checkbox"/> <input type="checkbox"/> CP33EM/ <input type="checkbox"/> <input type="checkbox"/> <input type="checkbox"/> CP33EF/ <input type="checkbox"/> <input type="checkbox"/> <input type="checkbox"/> —	CP34E/ <input type="checkbox"/> <input type="checkbox"/> <input type="checkbox"/> CP34EM/ <input type="checkbox"/> <input type="checkbox"/> <input type="checkbox"/> CP34EF/ <input type="checkbox"/> <input type="checkbox"/> <input type="checkbox"/> —
Series trip type With alarm switch	Long time Medium time Short time Instantaneous	CP31E/ <input type="checkbox"/> <input type="checkbox"/> CP31EM/ <input type="checkbox"/> <input type="checkbox"/> CP31EF/ <input type="checkbox"/> <input type="checkbox"/> CP31EI/ <input type="checkbox"/> <input type="checkbox"/>	CP32E/ <input type="checkbox"/> <input type="checkbox"/> CP32EM/ <input type="checkbox"/> <input type="checkbox"/> CP32EF/ <input type="checkbox"/> <input type="checkbox"/> CP32EI/ <input type="checkbox"/> <input type="checkbox"/>	CP33E/ <input type="checkbox"/> <input type="checkbox"/> CP33EM/ <input type="checkbox"/> <input type="checkbox"/> CP33EF/ <input type="checkbox"/> <input type="checkbox"/> CP33EI/ <input type="checkbox"/> <input type="checkbox"/>	CP34E/ <input type="checkbox"/> <input type="checkbox"/> CP34EM/ <input type="checkbox"/> <input type="checkbox"/> CP34EF/ <input type="checkbox"/> <input type="checkbox"/> CP34EI/ <input type="checkbox"/> <input type="checkbox"/>
Series trip type With alarm switch and inertia delay device	Long time Medium time Short time Instantaneous	CP31E/ <input type="checkbox"/> <input type="checkbox"/> <input type="checkbox"/> CP31EM/ <input type="checkbox"/> <input type="checkbox"/> <input type="checkbox"/> CP31EF/ <input type="checkbox"/> <input type="checkbox"/> <input type="checkbox"/> —	CP32E/ <input type="checkbox"/> <input type="checkbox"/> <input type="checkbox"/> CP32EM/ <input type="checkbox"/> <input type="checkbox"/> <input type="checkbox"/> CP32EF/ <input type="checkbox"/> <input type="checkbox"/> <input type="checkbox"/> —	CP33E/ <input type="checkbox"/> <input type="checkbox"/> <input type="checkbox"/> CP33EM/ <input type="checkbox"/> <input type="checkbox"/> <input type="checkbox"/> CP33EF/ <input type="checkbox"/> <input type="checkbox"/> <input type="checkbox"/> —	CP34E/ <input type="checkbox"/> <input type="checkbox"/> <input type="checkbox"/> CP34EM/ <input type="checkbox"/> <input type="checkbox"/> <input type="checkbox"/> CP34EF/ <input type="checkbox"/> <input type="checkbox"/> <input type="checkbox"/> —
Shunt trip type	Long time Medium time Short time Instantaneous	CP31E2/ <input type="checkbox"/> CP31E2M/ <input type="checkbox"/> CP31E2F/ <input type="checkbox"/> CP31E2I/ <input type="checkbox"/>	CP32E2/ <input type="checkbox"/> CP32E2M/ <input type="checkbox"/> CP32E2F/ <input type="checkbox"/> CP32E2I/ <input type="checkbox"/>	CP33E2/ <input type="checkbox"/> CP33E2M/ <input type="checkbox"/> CP33E2F/ <input type="checkbox"/> CP33E2I/ <input type="checkbox"/>	CP34E2/ <input type="checkbox"/> CP34E2M/ <input type="checkbox"/> CP34E2F/ <input type="checkbox"/> CP34E2I/ <input type="checkbox"/>
Shunt trip type With inertia delay device	Long time Medium time Short time Instantaneous	CP31E2/ <input type="checkbox"/> <input type="checkbox"/> CP31E2M/ <input type="checkbox"/> <input type="checkbox"/> CP31E2F/ <input type="checkbox"/> <input type="checkbox"/> —	CP32E2/ <input type="checkbox"/> <input type="checkbox"/> CP32E2M/ <input type="checkbox"/> <input type="checkbox"/> CP32E2F/ <input type="checkbox"/> <input type="checkbox"/> —	CP33E2/ <input type="checkbox"/> <input type="checkbox"/> CP33E2M/ <input type="checkbox"/> <input type="checkbox"/> CP33E2F/ <input type="checkbox"/> <input type="checkbox"/> —	CP34E2/ <input type="checkbox"/> <input type="checkbox"/> CP34E2M/ <input type="checkbox"/> <input type="checkbox"/> CP34E2F/ <input type="checkbox"/> <input type="checkbox"/> —
Relay trip type (Current trip)	Long time Medium time Short time Instantaneous	CP31E3/ <input type="checkbox"/> CP31E3M/ <input type="checkbox"/> CP31E3F/ <input type="checkbox"/> CP31E3I/ <input type="checkbox"/>	CP32E3/ <input type="checkbox"/> CP32E3M/ <input type="checkbox"/> CP32E3F/ <input type="checkbox"/> CP32E3I/ <input type="checkbox"/>	CP33E3/ <input type="checkbox"/> CP33E3M/ <input type="checkbox"/> CP33E3F/ <input type="checkbox"/> CP33E3I/ <input type="checkbox"/>	CP34E3/ <input type="checkbox"/> CP34E3M/ <input type="checkbox"/> CP34E3F/ <input type="checkbox"/> CP34E3I/ <input type="checkbox"/>
Relay trip type With inertia delay device	Long time Medium time Short time Instantaneous	CP31E3/ <input type="checkbox"/> <input type="checkbox"/> CP31E3M/ <input type="checkbox"/> <input type="checkbox"/> CP31E3F/ <input type="checkbox"/> <input type="checkbox"/> —	CP32E3/ <input type="checkbox"/> <input type="checkbox"/> CP32E3M/ <input type="checkbox"/> <input type="checkbox"/> CP32E3F/ <input type="checkbox"/> <input type="checkbox"/> —	CP33E3/ <input type="checkbox"/> <input type="checkbox"/> CP33E3M/ <input type="checkbox"/> <input type="checkbox"/> CP33E3F/ <input type="checkbox"/> <input type="checkbox"/> —	CP34E3/ <input type="checkbox"/> <input type="checkbox"/> CP34E3M/ <input type="checkbox"/> <input type="checkbox"/> CP34E3F/ <input type="checkbox"/> <input type="checkbox"/> —
Switch type		CP31E4/30	CP32E4/30	CP33E4/30	CP34E4/30
Switch type With auxiliary switch		CP31E4/30W	CP32E4/30W	CP33E4/30W	CP34E4/30W
Relay trip type (Shunt trip)		CP31E5/30	CP32E5/30	CP33E5/30	CP34E5/30
Dual coil type	Long time Medium time Short time Instantaneous	CP31E6/ <input type="checkbox"/> CP31E6M/ <input type="checkbox"/> CP31E6F/ <input type="checkbox"/> CP31E6I/ <input type="checkbox"/>	CP32E6/ <input type="checkbox"/> CP32E6M/ <input type="checkbox"/> CP32E6F/ <input type="checkbox"/> CP32E6I/ <input type="checkbox"/>	CP33E6/ <input type="checkbox"/> CP33E6M/ <input type="checkbox"/> CP33E6F/ <input type="checkbox"/> CP33E6I/ <input type="checkbox"/>	CP34E6/ <input type="checkbox"/> CP34E6M/ <input type="checkbox"/> CP34E6F/ <input type="checkbox"/> CP34E6I/ <input type="checkbox"/>
Dual coil type With inertia delay device	Long time Medium time Short time Instantaneous	CP31E6/ <input type="checkbox"/> <input type="checkbox"/> CP31E6M/ <input type="checkbox"/> <input type="checkbox"/> CP31E6F/ <input type="checkbox"/> <input type="checkbox"/> —	CP32E6/ <input type="checkbox"/> <input type="checkbox"/> CP32E6M/ <input type="checkbox"/> <input type="checkbox"/> CP32E6F/ <input type="checkbox"/> <input type="checkbox"/> —	CP33E6/ <input type="checkbox"/> <input type="checkbox"/> CP33E6M/ <input type="checkbox"/> <input type="checkbox"/> CP33E6F/ <input type="checkbox"/> <input type="checkbox"/> —	CP34E6/ <input type="checkbox"/> <input type="checkbox"/> CP34E6M/ <input type="checkbox"/> <input type="checkbox"/> CP34E6F/ <input type="checkbox"/> <input type="checkbox"/> —

Notes: Enter the rated current in the mark of the type number.
0.05A: 0.05, 0.1A: 0.1, 0.25A: 0.25.....30A: 30

• When ordering types with auxiliary switch (W1) or alarm switch (K1), add suffix to type number.

■ Versions

Internal circuit	Operating characteristics	CP31V (1-pole) Type	CP32V (2-pole) Type	CP33V (3-pole) Type	CP34V (4-pole) Type
Series trip type	Long time Medium time Short time Instantaneous	CP31V/□ CP31VM/□ CP31VF/□ CP31VI/□	CP32V/□ CP32VM/□ CP32VF/□ CP32VI/□	CP33V/□ CP33VM/□ CP33VF/□ CP33VI/□	CP34V/□ CP34VM/□ CP34VF/□ CP34VI/□
Series trip type With inertia delay device	Long time Medium time Short time Instantaneous	CP31V/□D CP31VM/□D CP31VF/□D —	CP32V/□D CP32VM/□D CP32VF/□D —	CP33V/□D CP33VM/□D CP33VF/□D —	CP34V/□D CP34VM/□D CP34VF/□D —
Series trip type With auxiliary switch	Long time Medium time Short time Instantaneous	CP31V/□W CP31VM/□W CP31VF/□W CP31VI/□W	CP32V/□W CP32VM/□W CP32VF/□W CP32VI/□W	CP33V/□W CP33VM/□W CP33VF/□W CP33VI/□W	CP34V/□W CP34VM/□W CP34VF/□W CP34VI/□W
Series trip type With auxiliary switch and inertia delay device	Long time Medium time Short time Instantaneous	CP31V/□WD CP31VM/□WD CP31VF/□WD —	CP32V/□WD CP32VM/□WD CP32VF/□WD —	CP33V/□WD CP33VM/□WD CP33VF/□WD —	CP34V/□WD CP34VM/□WD CP34VF/□WD —
Series trip type With alarm switch	Long time Medium time Short time Instantaneous	CP31V/□K CP31VM/□K CP31VF/□K CP31VI/□K	CP32V/□K CP32VM/□K CP32VF/□K CP32VI/□K	CP33V/□K CP33VM/□K CP33VF/□K CP33VI/□K	CP34V/□K CP34VM/□K CP34VF/□K CP34VI/□K
Series trip type With alarm switch and inertia delay device	Long time Medium time Short time Instantaneous	CP31V/□KD CP31VM/□KD CP31VF/□KD —	CP32V/□KD CP32VM/□KD CP32VF/□KD —	CP33V/□KD CP33VM/□KD CP33VF/□KD —	CP34V/□KD CP34VM/□KD CP34VF/□KD —
Shunt trip type	Long time Medium time Short time Instantaneous	CP31V2/□ CP31V2M/□ CP31V2F/□ CP31V2I/□	CP32V2/□ CP32V2M/□ CP32V2F/□ CP32V2I/□	CP33V2/□ CP33V2M/□ CP33V2F/□ CP33V2I/□	CP34V2/□ CP34V2M/□ CP34V2F/□ CP34V2I/□
Shunt trip type With inertia delay device	Long time Medium time Short time Instantaneous	CP31V2/□D CP31V2M/□D CP31V2F/□D —	CP32V2/□D CP32V2M/□D CP32V2F/□D —	CP33V2/□D CP33V2M/□D CP33V2F/□D —	CP34V2/□D CP34V2M/□D CP34V2F/□D —
Switch type		CP31V4/30	CP32V4/30	CP33V4/30	CP34V4/30
Switch type With auxiliary switch		CP31V4/30W	CP32V4/30W	CP33V4/30W	CP34V4/30W

Notes: □ Enter the rated current in the □ mark of the type number.
0.05A: 0.05, 0.1A: 0.1, 0.25A: 0.25.....30A: 30

- When ordering types with auxiliary switch (W1) or alarm switch (K1), add suffix to type number.

■ Sockets (CP3□E only)

No. of poles	Circuit protector Type	Auxiliary contact	Alarm contact	Socket Type	Terminal cover Type
1-pole	CP31E, 31E4	—	—	CP-S1	CP-T3
	CP31E/W, 31E4/W	1NO	—	CP-S1A	
		1NC	—	CP-S1B	
	CP31E/K	—	1NC	CP-S1A	
—		1NO	CS-S1B		
2-pole	CP32E, 32E4	—	—	CP-S2	
	CP32E/W, 32E4/W	SPDT	—	CP-S2C	
	CP32E/K	—	SPDT		



AF91-566

Circuit Protectors

CP31E, 32E, 33E, 34E

CP31V, 32V, 33V, 34V

■ Type number nomenclature

CP3 1 E 2 M / □ W D DC N (AC 200V)

Basic type

CP3□E (c_{us}), CP3□V (c_{us}, IEC)

Number of poles

1: 1-pole 3: 3-pole
2: 2-pole 4: 4-pole

Internal circuit

Blank: Series trip type
2: Shunt trip type
3: Relay trip type (Current trip) *
4: Switch type
5: Relay trip type (Shunt trip) *
6: Dual coil *

* for CP3□E only

Operating characteristics

Blank: Long time delay
M: Medium time delay
F: Short time delay
I: Instantaneous

Rated current

0.05: 0.05A	2: 2A	10: 10A
0.1: 0.1A	2.5: 2.5A	15: 15A
0.25: 0.25A	3: 3A	20: 20A
0.5: 0.5A	5: 5A	25: 25A
0.75: 0.75A	7.5: 7.5A	30: 30A
1: 1A		

Rated tripping voltage

(for CP3□E5 and CP3□E6 only)

- Relay trip type (shunt trip type) / CP3□E5
200V, 100V, 48V, 24V AC 50/60Hz or DC
- Dual coil type / CP3□E6
100V, 50V, 32V, 24V, 12V, 6V AC 50/60Hz or DC

Main terminal

Blank: Tab terminal
N: Screw terminal (series trip type and switch type)
P: Printed board type (CP3□E only)

Circuit voltage

Blank: AC circuit
DC: DC circuit

Inertia delay device

Blank: Without inertia delay device
D: With inertia delay device
(Except instantaneous type)

Accessories

Blank: Without accessories
W: With standard auxiliary switch
(For series and switch types)
W1: With auxiliary switch for low level circuit
K: With standard alarm switch (For series type)
K1: With alarm switch for low level circuit

■ Ordering information

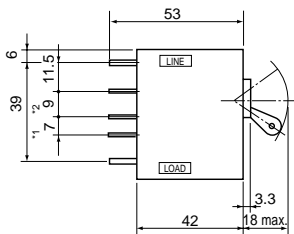
Specify the following:

1. Type number
(Including rated tripping voltage)

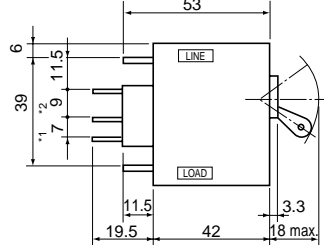
- Dimensions, mm
- Series trip and switch types

Tab terminal

CP31E, CP31E4

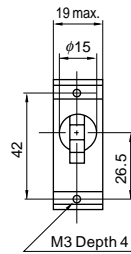


CP31V, CP31V4

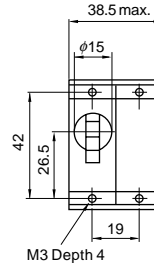


*1 With auxiliary switch (W1), With alarm switch (K1) : 6
 *2 With auxiliary switch (W1), With alarm switch (K1) : 10

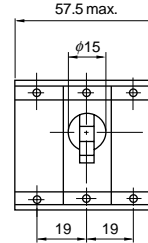
1-pole



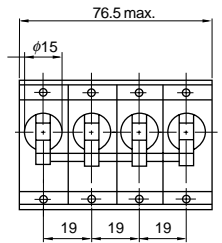
2-pole



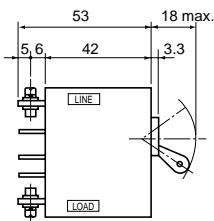
3-pole



4-pole

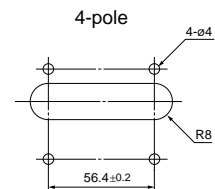
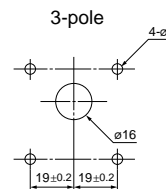
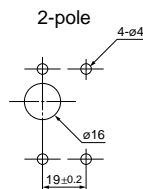
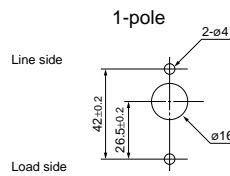


Screw terminal



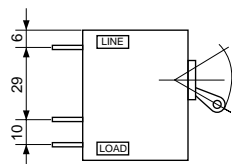
Main terminal M4 x 8
 Thickness: 0.8
 Width: 6.3

Panel drilling



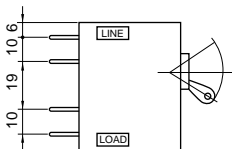
- Shunt trip type

Tab terminal

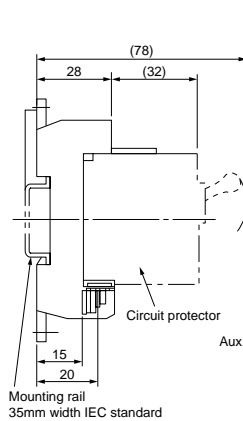


- Relay trip type (CP-E only)

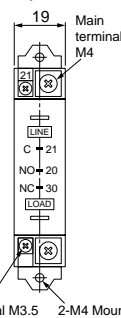
Tab terminal



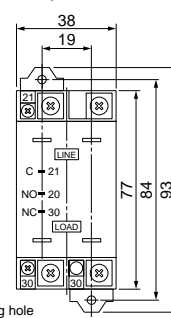
Socket for rail mounting (CP-E/Series trip and switch types)



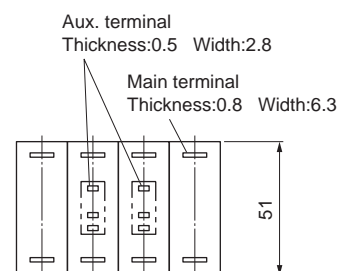
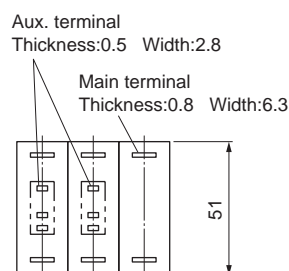
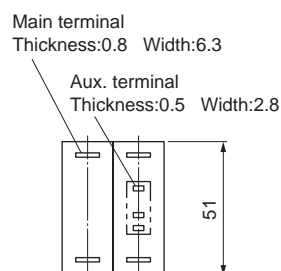
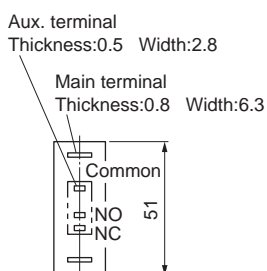
1-pole



2-pole



Terminal arrangement

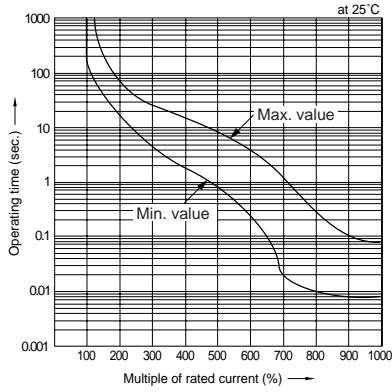


Circuit Protectors CP31E, 32E, 33E, 34E CP31V, 32V, 33V, 34V

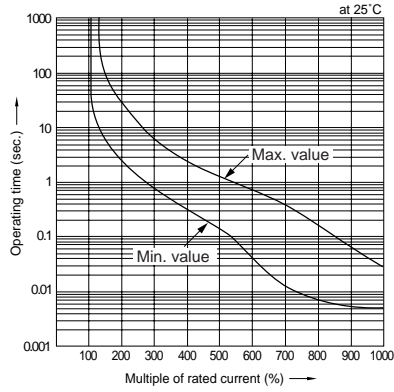
■ Characteristic curves

AC circuit

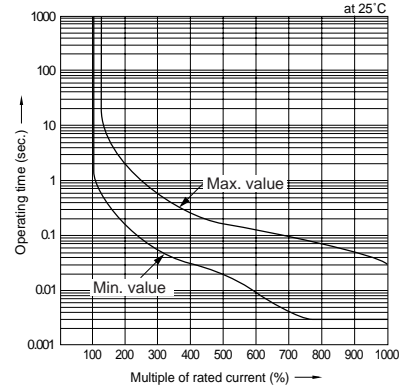
Long time delay (S)



Medium time delay (M)

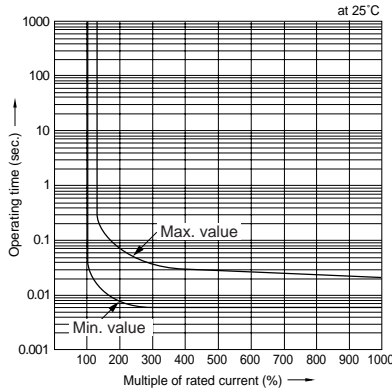


Short time delay (F)



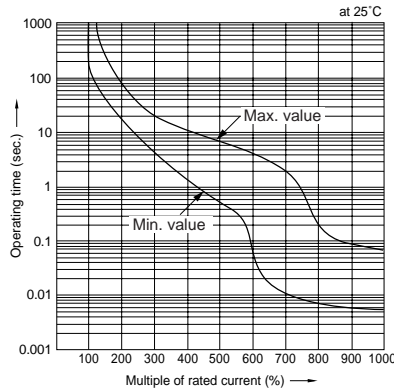
AC circuit

Instantaneous (I)

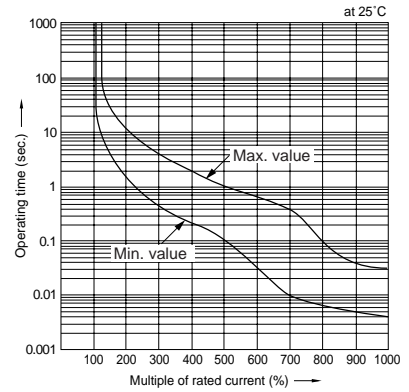


DC circuit

Long time delay

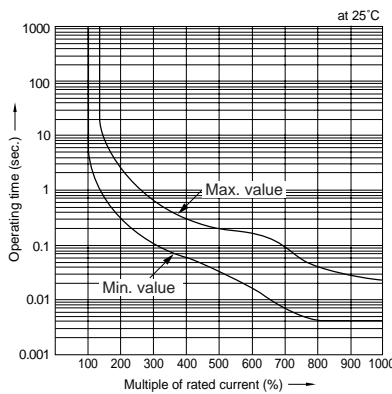


Medium time delay (M)

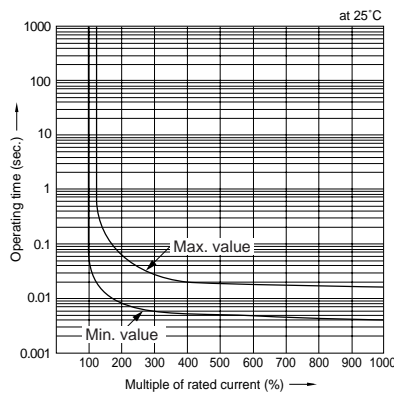


DC circuit

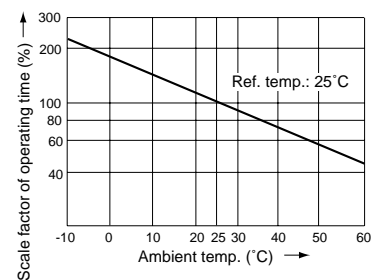
Short time delay (F)



Instantaneous (I)



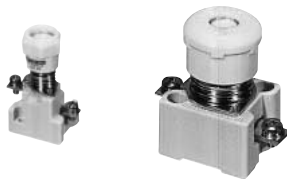
Ambient temperature compensation



■ **Description**

FUJI low voltage current-limiting fuses are designed to give protection to power supply and distribution circuits and equipment such as motor starter and semiconductors.

Since they can be supplied in a variety of types and ratings any circuit capacities can be accurately matched. FUJI current-limiting fuses have a high interrupting capacity and will prevent thermal and mechanical damage from heavy short circuits.



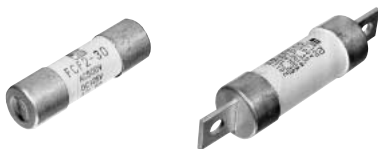
AF97-635,634

■ **AFaC and BaC type current-limiting fuses**

These fuses have a high interrupting capacity of 100kA at 600V AC or DC and are suitable for power and control circuits. The fuse is a plug-in type, and it can easily be replaced by removing a screw cap.

■ **Rated current:** 3 – 400 Amps

For further information see page 08/26.



AF97-642

■ **FCF and FCK type current-limiting fuses**

These fuses are provided with special links with low-temperature melting characteristics, and are suitable for general power circuits because of their high interrupting capacity and good current-limiting performance. They are available in two types, a center-blade type and a solid ferrule type, with an insulated fuse body of high quality porcelain.

■ **Rated current:** 1 – 600 Amps

For further information see page 08/29.



AF97-635,634

■ **BLC, CR and CS type Super Rapid Fuses**

These fuses are used exclusively for the protection of semiconductors, thyristors and silicon diodes. Since their total clearing I²t is very small protective coordination with semi-conductors is very easily carried out.

■ **Rated current:**

BLC type: 12 – 140 Amps

CR type: 30 – 600 Amps

CS type: 40 – 4700 Amps

For further information see page 08/31.

■ **Quick selection table**

(CS fuse: Typical value)

Series	Voltage	Interrupting capacity rms sym (kA)					Application
		20	35	50	100	200	
AFaC	600V AC DC	3 to 100 Amps					General use
BaC		125 to 200 Amps					
		250 to 400 Amps					
FCF	500V AC	1 to 60 Amps					General use
FCK	500V AC	3 to 600 Amps					
BLC	550V AC	12 to 140 Amps					Semi-conductor protection
CR2L(S)	250V AC	10 to 600 Amps					
CR6L	600V AC	20 to 600 Amps					
CS5F	500V AC	40 to 1500 Amps					
CS10F	1000V AC	80 to 1500 Amps					
CS15F	1500V AC	450 to 1250 Amps					

Low Voltage Fuses

AFaC and BaC types

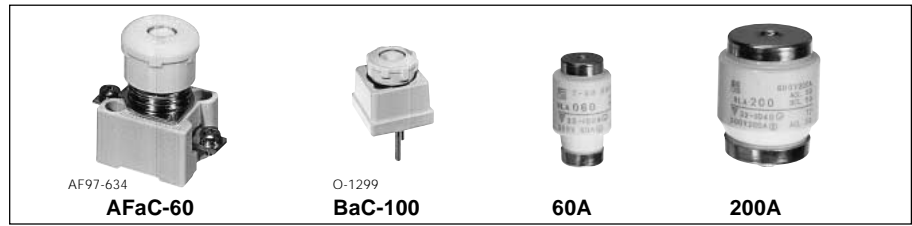
AFaC and BaC type current-limiting fuses

600V AC/DC, 3–400 Amps

■ Description

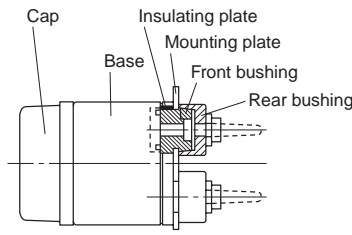
The AFaC and BaC type have an excellent current-limiting performance with an interrupting capacity as high as 100kA at 600V AC/DC. They are suitable for power circuits and control circuit applications including general power cubicles, distribution equipment, motor starters, load centers and control centers. The fuse assembly comprises base, screw cap, fuse link and adapter ring. The universal surface mounting terminals are provided with screws while the rear connection type are supplied with stud bolts. The fuse link can easily and safely be replaced by simply removing a screw cap.

The diameter of the solid ferrule fuse link varies according to the rated current. The higher the rating, the greater the diameter. As a safety feature the screw cap can only be tightened when the fuse link matches with the adapter ring located inside the base. This prevents the cap from being tightened even when fuse

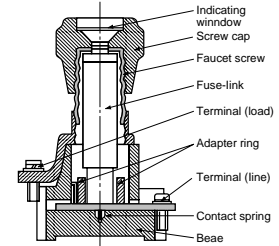


Rear connection type

Surface connection type



Thickness of mounting plate: 3.2mm or less



link with larger ratings is inserted. The operating blown indication tip can be observed through the screw cap window. The tip color indicates the current rating – for instance, pink indicates 3A and red 10A. The tip is ejected to show that the fuse has blown. Both the base and the screw cap are made from a high class

porcelain insulating material to ensure trouble-free operation. The fuse can be replaced without isolating the circuit. Since the fuse link is housed in a highly reliable porcelain barrel it is strong mechanically and thermally with no danger of explosion or production of noxious gases when blown.

■ Components of AFaC and BaC type

Parts	FA776		SD-39	SD-39		SDO 0091M	SD-63
Rated current (A)	Fuse-link Type	Color of indicator	Screw cap Type	Base Surface connection Type	Rear connection Type	Adapter ring Type	Color of adapter ring
3	BLA003	Pink	Pa30	AFa30	Ba30	R3	Pink
5	BLA005	Brown				R5	Brown
10	BLA010	Red				R10	Red
15	BLA015	Gray				R15	Gray
20	BLA020	Blue				R20	Blue
30	BLA030	Violet	—	—	—	—	
40	BLA040	Black	Pa60	AFa60	Ba60	R40	Black
60	BLA060	Light red				—	—
75	BLA075	Silver	Pa100	AFa100	Ba100	R75	Silver
100	BLA100	Red				—	—
125	BLA125	Yellow	Pa200	AFa200	Ba200	R125	Yellow
150	BLA150	Light red				R150	Light red
200	BLA200	Blue				—	—
250	BLA250	Green	Pa400	AFa400	Ba400	R250	Green
300	BLA300	White				R300	White
400	BLA400	Black				—	—

Minimum ordering quantity

• Fuse-link	BLA003 to 030	100 pcs.	• Base	AFa30 Ba30	100 pcs.
	BLA 040, 060	20		AFa60 Ba60	50
	BLA 075 to 200	10		AFa100 Ba100	10
	BLA 250 to 400	5		AFa200 Ba200	5
				AFa400 Ba400	1
• Screw cap	Pa30	100 pcs.	• Adapter ring	R3 to 20, R75	100 pcs.
	Pa60	50		R40, R125 to 300	50
	Pa100	10			
	Pa200	5			
	Pa400	1			

■ Specifications

Fuse-link Type	Rated current (A)	Rated voltage	Interrupting capacity (kA)	Max. interrupting $I^2 t$ (Amp ² x sec.)
BLA003	3	600V AC DC	100	28
BLA005	5			110
BLA010	10			500
BLA015	15	100	100	750
BLA020	20			1.3×10^3
BLA030	30			5×10^3
BLA040	40	100	100	9.2×10^3
BLA060	60			27×10^3
BLA075	75	100	100	70×10^3
BLA100	100			100×10^3
BLA125	125	50	50	290×10^3
BLA150	150			390×10^3
BLA200	200			500×10^3
BLA250	250	20	20	1800×10^3
BLA300	300			2200×10^3
BLA400	400			3000×10^3

■ Ordering information

Specify the following:

1. Type number

Fuse-link BLA 003

Rated current

Ex. 003 : 3 Amps
075 : 75 Amps
200 : 200 Amps

Fuse-link

Base AFa 30

Frame size

30: For 3 to 30A
60: For 40, 60A
100: For 75, 100A
200: For 125, 150, 200A
400: For 250, 300, 400A

Connection

AFa: Surface
Ba : Rear

Screw cap Pa 30

Frame size

30: For 3 to 30A
60: For 40, 60A
100: For 75, 100A
200: For 125, 150, 200A
400: For 250, 300, 400A

Screw cap

■ Mounting on steel panel

To mount a rear connection base Ba on a steel panel, an insulating plate and some bushings are used. Kits for 30, 60, 100, 200 and 400A base are available. Please specify your base type when ordering.

Two front bushings are used with 100, 200 and 400A base only.

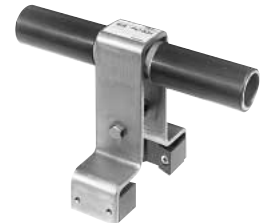
Example: Insulating plate and bushings for Ba30



■ Tightening tool

It is recommended that fuses with ratings of over 100A be tightened with a special tool since there is the possibility of overheating if the screw cap is not adequately tightened. This exclusive use tool is sold separately.

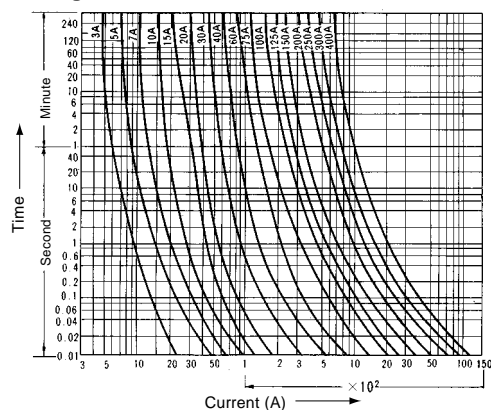
Type	Screw cap type
Pa100H	Pa100
Pa200H	Pa200
Pa400H	Pa400



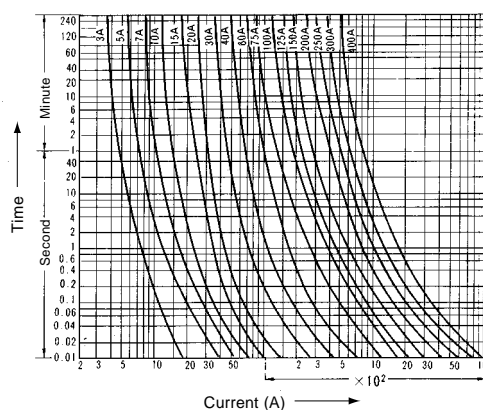
AF90-316

■ Characteristic curves

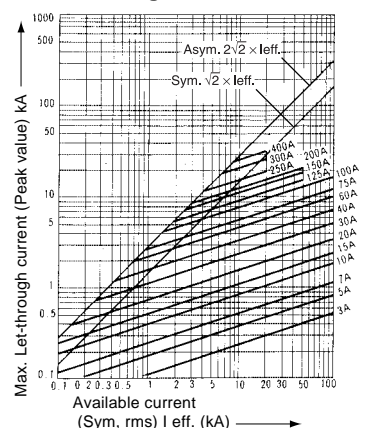
Melting time-current characteristic



Permissible time-current characteristic



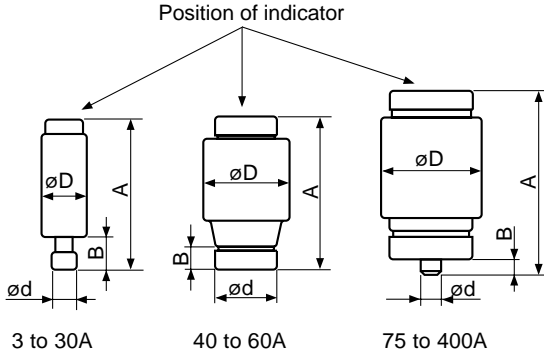
Current-limiting characteristic



Low Voltage Fuses

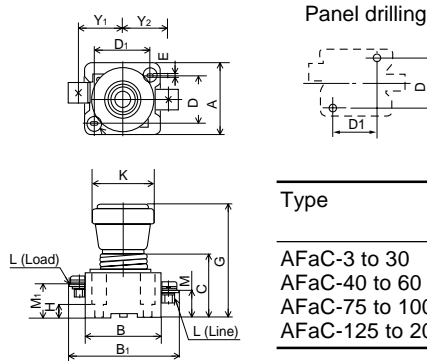
AFaC and BaC types

■ Dimensions, mm
● Fuse-link



Type	Rated current (A)	A	B	øD	ød	Mass (g)
BLA003	3	50	10	13	8	12
BLA005	5	50	10	13	8	12
BLA010	10	50	10	13	8	12
BLA015	15	50	10	13	10	12
BLA020	20	50	10	13	10	12
BLA030	30	50	10	13	14	12
BLA040	40	50	10	27	16	47
BLA060	60	50	10	27	20	62
BLA075	75	63	5.4	34	5	120
BLA100	100	63	5.4	34	8	120
BLA125	125	63	5.4	47	5	215
BLA150	150	63	5.4	47	8	215
BLA200	200	63	5.4	47	10	215
BLA250	250	63	5.4	61	5	380
BLA300	300	63	5.4	61	8	380
BLA400	400	63	5.4	61	10	380

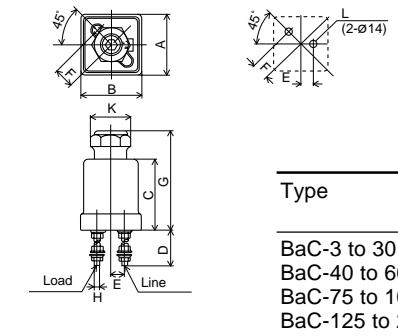
● Base and cap
Surface connection
AFaC-3 to 200



Panel drilling

Type	A	B	B1	C	D	D1	øE	G	H	K	L	M	M1	Y1	Y2	Mass (g)
AFaC-3 to 30	34	42	55	46.5	24	22	5	78.5	10	32	M5	18	24	22	22	100
AFaC-40 to 60	52	59	82	51	34	38	5.5	88	10	47	M6	21	26	33	33.5	290
AFaC-75 to 100	67	87	125	71	40	64	7	118	28	72	M8	27.5	29.5	50	50	950
AFaC-125 to 200	77	107	150	73	51	82	7	120	28	87	M10	34	35	60	59.5	1465

Rear connection
BaC-3 to 200

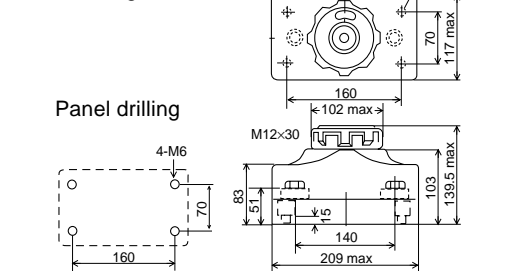


Panel drilling

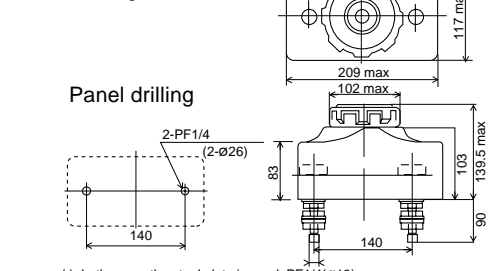
Type	A (max.)	B (max.)	C	D	E	F	G	H	K	øL	Mass (g)
BaC-3 to 30	47	47	52	62	10	14	78.5	M5	32	6(14)	220
BaC-40 to 60	66	66	54	65	18	22.5	87.5	M6	47	7(14)	470
BaC-75 to 100	85.5	85.5	71	70	22	30	112.5	M8	72	9(25)	1200
BaC-125 to 200	112	112	78	75	28	39	120	M10	87	11(25)	2115

(): In the case the steel plate is used.

Surface connection
AFaC-250 to 400
Mass: 4.37kg



Rear connection
BaC-250 to 400
Mass: 4.76kg



(): In the case the steel plate is used PF1/4(ø13)

FCF, FCK type current-limiting fuses

500V AC

FCF Up to 60 Amps

FCK Up to 600 Amps

■ Description

FCF and FCK HRC fuses use a specially designed low-temperature melting element, a feature of 'dual element' fuses. There is no fuse deterioration due to overcurrent phenomena such as rush current at the time of motor starting and they also feature time-lag operation characteristics. They operate rapidly and positively in the face of destructive short circuit currents. Since they are current-limiting fuses with a high capacity of 50kA (FCF types: 1 – 60 Amps) they are suitable for many types of power and control circuits. The fuse link is housed in a ceramic barrel with



excellent thermal and mechanical characteristics and is packed in silica sand which prevents arcing. Thus there are no fears of explosion or production of noxious gases. The FCF's link end is a solid ferrule-type and available in 1 – 60 Amps ratings. The FCK is a center blade-type and available in 3 – 600 Amps ratings. The fuse links for the 75 Amps FCK and larger sizes are provided with a blown fuse indicator.



■ Ordering information

Specify the following:

1. Type number

FCF series

Rated current (A)	Interrupting capacity (kA)	Fuse-link Type
1	50	FCF2-1
3		FCF2-3
5		FCF2-5
10		FCF2-10
15		FCF2-15
20		FCF2-20
30		FCF2-30
40		FCF2-40
50		FCF2-50
60		FCF2-60

Note: Minimum ordering quantity
Fuse-link: 100 pcs.

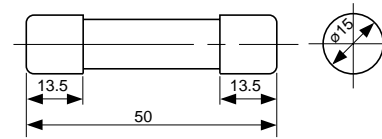
FCK series

Rated current (A)	Interrupting capacity (kA)	Fuse-link Type
3	35	FCK2-3
5		FCK2-5
10		FCK2-10
15		FCK2-15
20		FCK2-20
30		FCK2-30
40	50	FCK2-40
50		FCK2-50
60		FCK2-60
75		FCK2-75
100	60	FCK2-100
125		FCK2-125
150		FCK2-150
200		FCK2-200
250		FCK2-250
300		FCK2-300
400		FCK2-400
500		FCK2-500
600		FCK2-600

Note: Minimum ordering quantity
Fuse-link: 100 pcs.

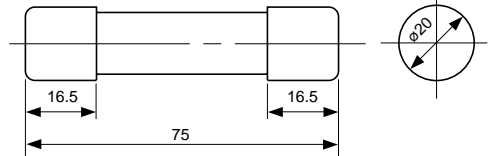
■ Dimensions, mm

● Fuse-link FCF2-1 to 30



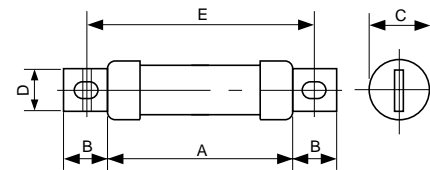
Mass: 20g

● Fuse-link FCF2-40 to 60



Mass: 80g

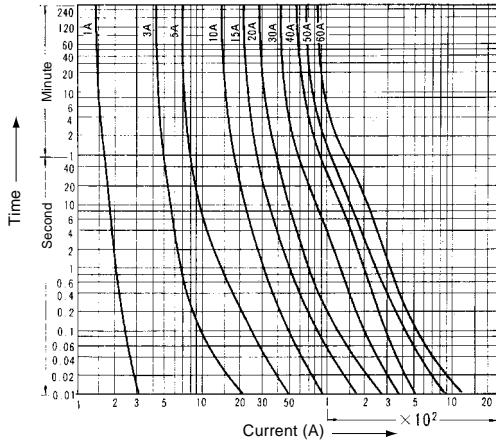
● Fuse-link FCK2-3 to 600



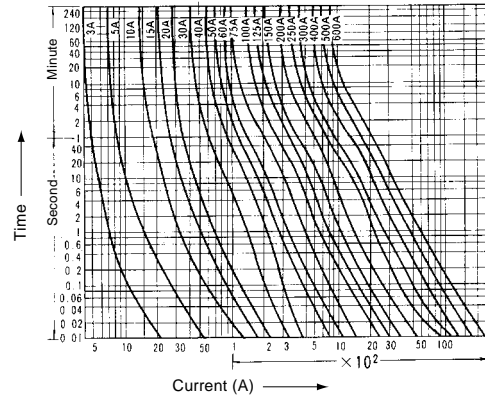
Type	A	B	C	D	E	Mass (g)
FCK2-3 to 30	50	15	∅19.8	13	66.5	35
FCK2-40 to 60	75	19	∅24.9	16	96	95
FCK2-75, 100	95	25	∅31	20	122.5	180
FCK2-125 to 200	110	35	∅45	30	148.5	470
FCK2-250 to 400	120	50	∅63	40	170	1100
FCK2-500, 600	145	60	∅75	50	205	2000

Low Voltage Fuses FCF and FCK types

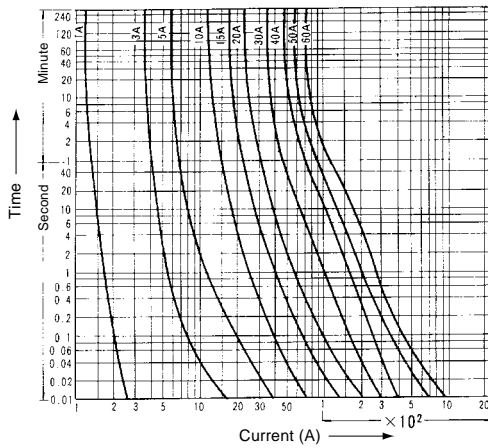
- Characteristic curves
 - FCF type
- Melting time-current characteristic



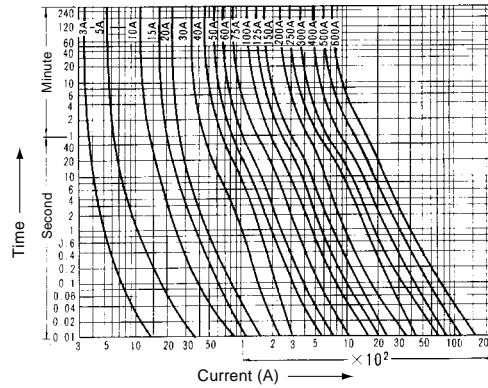
- FCK type
- Melting time-current characteristic



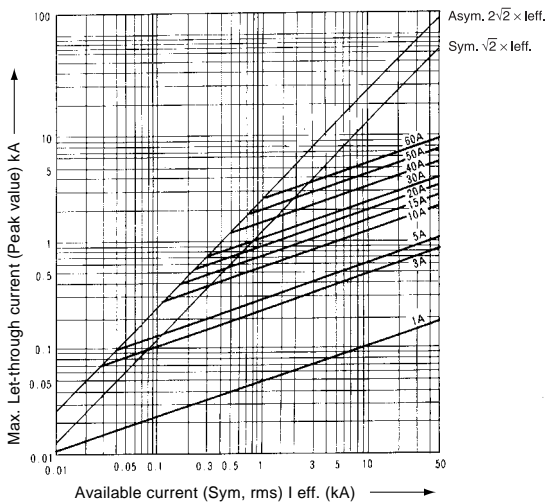
Permissible time-current characteristic



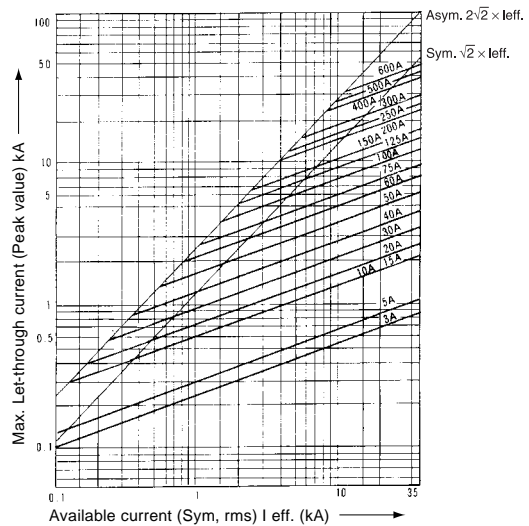
Permissible time-current characteristic



Current limiting characteristic



Current limiting characteristic



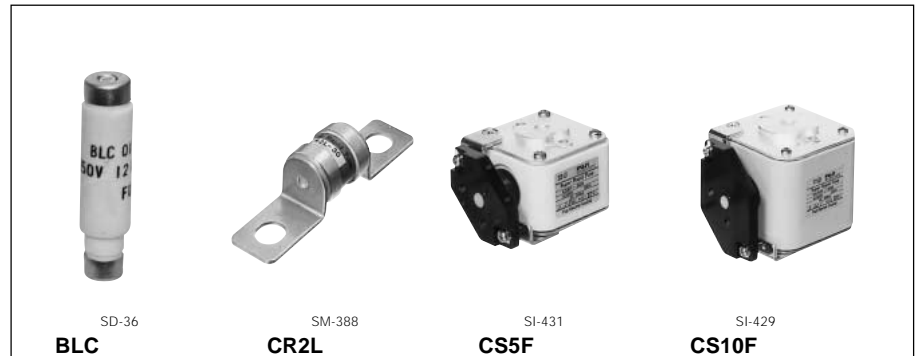
BLC, CR and CS types Super Rapid Fuses

150–1500 Volts AC
10–4700 Amps

■ Description

The FUJI BLC, CR and CS types are extremely reliable fuses which have been specially developed to provide protection for silicon diodes and thyristors and are suitable for inverters using semiconductors or transformers-rectifiers. FUJI Super Rapid Fuses are designed with a very small total I^2t value which gives them a high speed interrupting action in the face of abnormal currents.

In addition the arc voltage generated at the time of interruption has a low value so that faults will not influence related electric machinery and equipment. These fuses can carry out the protection of many types of circuits rating from the semiconductor overcurrents to destructive short-circuiting faults-i.e. when the



semiconductors short or circuits fail the sound elements will be quickly isolated from the fault circuits.

■ Features

- The total clearing I^2t is small and the semiconductor circuit is completely protected.
- Since the peak arc voltage at the time of interruption is low damage to other equipment does not occur.

- High interrupting capacity of 200kA at 1000V AC
- The CS type is provided with a blown fuse indicator. An alarm contact block (1NO or 1NC) can also be attached.

■ UL recognized: CR2L/UL, CR2LS/UL, CR6L/UL

(File No. E92312)

CSA certified: CR2LS/UL
(File No. LO4000-4090)

TÜV: CR2LS/UL (10-100A),
CR2L/UL (150-350A)
(Rep. No. E9450643E02)
CR6L/UL (50-300A)
(Rep. No. E9560543E02)

■ Specifications

Rated current	Rated voltage	Peak arc voltage	Max. interrupting I^2t (Amp ² ×sec.) × 10 ³	Watt loss	Fuse-link Type
(A)	(V)	(V)		(W)	
12	550V AC	1550	0.09	5.1	BLC012-1
20		1550	0.27	8.5	BLC020-1
23		1550	0.39	10	BLC023-1
45		1380	1.8	19	BLC045-1
75		1250	5	32	BLC075-1
90		1250	11.5	38	BLC090-1
120		1200	33	51	BLC120-1
140	1200	100	59	BLC140-1	
30	250V AC	Max. 500	0.35	4.0	CR2L-30
50			0.85	6.0	CR2L-50
75			2.3	9.0	CR2L-75
100			4.0	12.0	CR2L-100
125			6.5	14.0	CR2L-125
140			7.0	16.0	CR2L-140
150			9.5	18.0	CR2L-150
175			13	21.0	CR2L-175
200			17	23.0	CR2L-200
225			22	26.0	CR2L-225
260			27	30.0	CR2L-260
300			38	35.0	CR2L-300
325			49	37.0	CR2L-325
350			60	37.0	CR2L-350
400			103	39.0	CR2L-400
450			140	46.0	CR2L-450
500			160	48.0	CR2L-500
550	200	51.0	CR2L-550		
600	215	56.0	CR2L-600		

Interrupting capacity
BLC 100kA at 550V AC
CR2L 100kA at 250V AC

Rated current	Rated voltage	Peak arc voltage	Max. interrupting I^2t (Amp ² ×sec.) × 10 ³	Watt loss	Fuse-link Type
(A)	(V)	(V)		(W)	
10	250V AC	Max. 500	0.04	1.2	CR2LS-10
20			0.17	3.0	CR2LS-20
30			0.35	4.0	CR2LS-30
50			0.85	6.0	CR2LS-50
75			2.3	9.0	CR2LS-75
100			4.0	12.0	CR2LS-100
20			600V AC	Max. 1200	0.14
30	0.35	7.0			CR6L-30
50	1.8	9.0			CR6L-50
75	3.0	12.5			CR6L-75
100	7.0	15			CR6L-100
150	18	22.0			CR6L-150
200	30	34.0			CR6L-200
250	70	37.0			CR6L-250
300	95	40.0			CR6L-300
350	150	45.0			CR6L-350
400	200	55			CR6L-400
500	390	60			CR6L-500
600	700	70			CR6L-600

Interrupting capacity
CR2LS ... 100kA at 250V AC
CR6L 100kA at 600V AC

Low Voltage Fuses

BLC, CR and CS types

Super Rapid Fuses

■ Specifications

Rated current	Interrupting capacity	Max. interrupting I ² t (Amp ² ×sec.) × 10 ³	Watt loss	Fuse-link
(A)	(kA)		(W)	Type
4700	150 at 125V AC	14000	310	CS1F-4700
2000	150 at 250V AC	1950	124	CS2F-2000
3000	250V AC	5500	216	CS2F-3000
40	200 at 500V AC	1	6.4	CS5F-40
75		3.5	12	CS5F-75
100		5	17	CS5F-100
150		10	25	CS5F-150
200		18.5	34	CS5F-200
250		33	42	CS5F-250
300		64	45	CS5F-300
350		85	56	CS5F-350
400		122	57	CS5F-400
450		131	62	CS5F-450
500		159	73	CS5F-500
600		257	80	CS5F-600
800		600	114	CS5F-800
1000		1200	110	CS5F-1000
1000		843	167	CS5F-1000-P
1200	1800	114	CS5F-1200	
1200	1311	200	CS5F-1200-P	
1500	3600	209	CS5F-1500	
1000	200 at 800V AC	1800	125	CS8F-1000
1200		2500	176	CS8F-1200
1500		4400	220	CS8F-1500
80	200 at 1000V AC	10	17	CS10F-80
100		16	21	CS10F-100
150		37	27	CS10F-150
200		63	37	CS10F-200
250		110	44	CS10F-250
300		148	53	CS10F-300
350		211	70	CS10F-350
400		307	74	CS10F-400
500		420	90	CS10F-500
560		410	102	CS10F-560
630		450	135	CS10F-630
750		640	156	CS10F-750
800		1259	211	CS10F-800-P
1000		1722	245	CS10F-1000-P
1250		2250	330	CS10F-1250-P
1500	3200	334	CS10F-1500-C	
450	100 at 1500V AC	350	134	CS15F-450
630		760	170	CS15F-630
900		1400	280	CS15F-900-P
1250		3050	350	CS15F-1250-P

- Note:
- Peak arc voltage
CS1F Max. 450V
CS2F Max. 750V
CS5F Max. 1000V
CS8F Max. 2000V
CS10F ... Max. 2000V
CS15F ... Less than 3000V
 - An alarm contact block AHX2905 (1NO) or AHX2915 (1NC) can be attached to CS type. (Sold separately) See page 08/40.

Note: UL recognized fuse
In the UL recognized fuses, a fuse with a blown indication fuse, or a fuse both with a blown indication fuse and a precision switch is also UL recognized.

Examples: CR2L-200G/UL
CR2LS-30S/UL
CR6L-100G/UL

■ Specifications (UL-recognized, CSA certified, TÜV)

Rated current	Rated voltage	Interrupting capacity	Max. interrupting I ² t (Amp ² ×sec.) × 10 ³	Watt loss	Fuse-link
(A)		(kA)		(W)	Type
10	250V AC 400V DC	10 at AC (pf: 0.8) 10 at DC (L/R: 2ms)	0.04	1.2	CR2LS-10/UL
20			0.17	3.0	CR2LS-20/UL
30			0.35	4.0	CR2LS-30/UL
50			0.85	6.0	CR2LS-50/UL
75			2.3	9.0	CR2LS-75/UL
100			4.0	12.0	CR2LS-100/UL
150			9.5	18.0	CR2L-150/UL
200			17	23.0	CR2L-200/UL
260			27	30.0	CR2L-260/UL
350			60	37.0	CR2L-350/UL
400	103	39.0	CR2L-400/UL		
450	140	46.0	CR2L-450/UL		
500	160	48.0	CR2L-500/UL		
550	200	51.0	CR2L-550/UL		
600	215	56.0	CR2L-600/UL		
20	600V AC 680V DC	100 at AC (pf: 0.8) 10 at DC (L/R: 2ms)	0.14	4.0	CR6L-20/UL
30			0.35	7.0	CR6L-30/UL
50			1.8	9.0	CR6L-50/UL
75			3.0	12.5	CR6L-75/UL
100			7.0	15.0	CR6L-100/UL
150	100 at AC (pf: 0.8) 50 at DC (L/R: 2ms)	18	22.0	CR6L-150/UL	
200		30	34.0	CR6L-200/UL	
300		95	40.0	CR6L-300/UL	

- Note:
- Peak arc voltage
CR2LS, CR2L Max. 500V
CR6L Max. 1200V
 - The peak arc voltage is obtained by interruption caused by the listed interrupting current at rated voltage.
 - This indicates the values when the conductors specified in UL Standards are connected and rated current apply.
 - TÜV: CR2LS, 2L: Up to 350A
CR6L: 50 to 300A

■ CR type fuse with optional accessory

Fuse with blown indication fuse

CR2L (S)- □ G



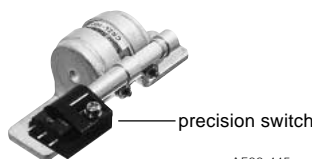
AF88-446

Fuse with blown indication fuse and precision switch

CR2L (S)- □ S

Precision switch (SPDT)

CRX-1



AF88-445



AF88-442

Low Voltage Fuses BLC, CR and CS types Super Rapid Fuses

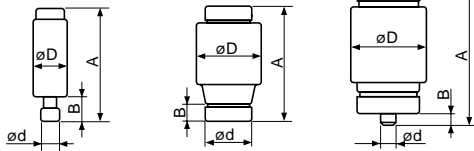
■ Dimensions, mm

● BLC

BLC012, 020, 023

BLC045

BLC075 to 140



Type	Rated current (A)	A	B	øD	ød	Color of indicator	Mass (g)
BLC012-1	12	50	10	13	10	Grey	12
BLC020-1	20	50	10	13	14	Yellow	12
BLC023-1	23	50	10	13	14	Violet	12
BLC045-1	45	50	10	27	20	White	62
BLC075-1	75	63	6	34	5	Silver	120
BLC090-1	90	63	6	34	8	Red	120
BLC120-1	120	63	6	47	8	Yellow	120
BLC140-1	140	63	6	47	8	Light red	215

Note: The BLC type fuse link requires a holder in use. The size of the holder differs according to the fuse ratings. Select the most suitable one after referring to the Table on page 08/40. For drawings see page 08/28.

■ Ordering information

Specify the following:

1. Type number

■ Type number nomenclature

BLC 012-1

Rated current: 12 to 140A
Plug-in type super rapid fuse

CS 10F-1000 □-P/ UL

UL recognized (CR2L, CR2LS, CR6L)
CSA certified (CR2LS)
TÜV (CR2LS, CR2L, CR6L)

2-fuse connected parallel

Optional accessory (See page 08/44)

G: With blown indication fuse

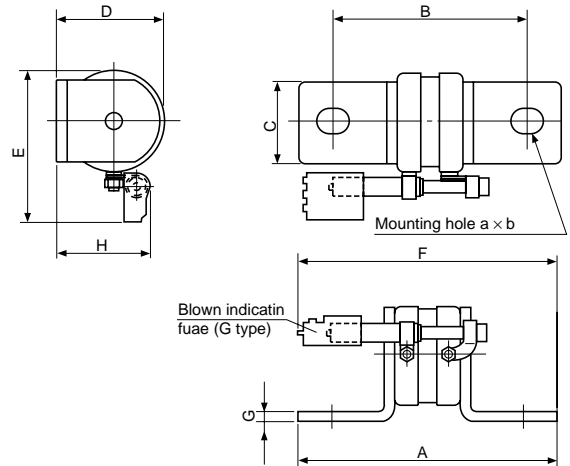
S: With blown indication fuse and precision switch

Rated current
10 to 4700A

Rated voltage
2L, 2LS: 250V AC, 6L: 600V AC
1F: 150V AC, 2F: 250V AC
5F: 500V AC, 8F: 800V AC
10F: 1000V AC, 15F: 1500V AC

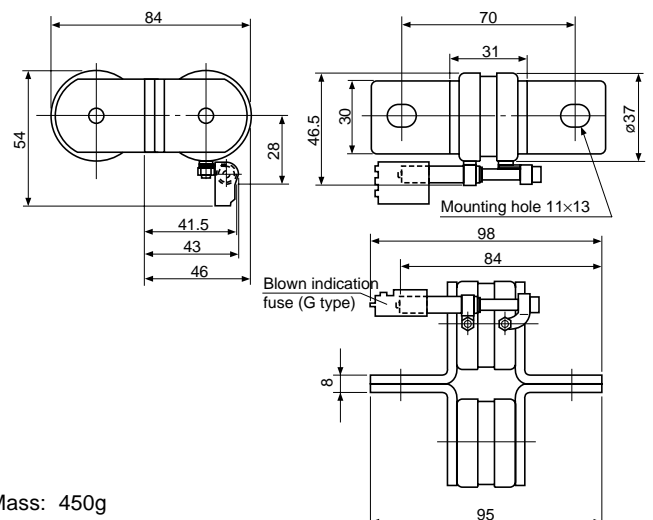
CR: Barrel-shaped super rapid fuse
CS: Cubic-shaped super rapid fuse

● CR2L-450 or smaller, CR2LS



Type	A	B	C	D	E	a×b	F	G	H	Mass
CR2L-30 CR2L-50	80	58	18	21.5	37	9×11	90	1.5	26.5	42g
CR2L-75 CR2L-100 CR2L-125 CR2L-140 CR2L-150 CR2L-175	80	58	20	30.5	44	9×11	90	3	32.5	100g
CR2L-200 CR2L-225 CR2L-260 CR2L-300 CR2L-325	85	60	25	33.5	47	11×13	93	3.2	33.5	130g
CR2L-350 CR2L-400 CR2L-450	95	70	30	42	54	11×13	98	4	39	220g
CR2LS-10 CR2LS-20 CR2LS-30 CR2LS-50 CR2LS-75 CR2LS-100	56	42	12	18.5	34.5	6.5×8.5	78	2	25	28g

● CR2L-500 to -600



Mass: 450g

Dimensions for reference only. Confirm before construction begins.

Note: The dimensions of the fuses with suffix. UL are the same as those of the standard ones.

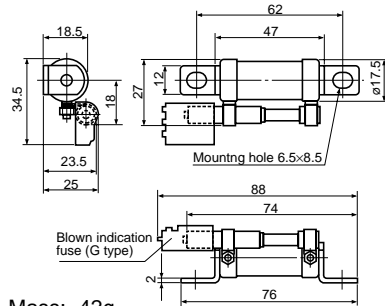
Low Voltage Fuses

BLC, CR and CS types

Super Rapid Fuses

■ Dimensions, mm

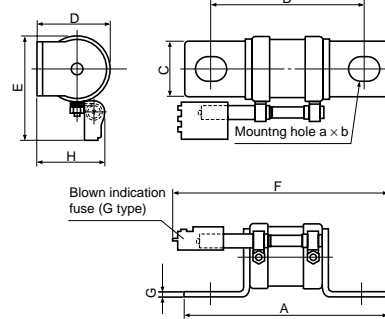
● CR6L-20, CR6L-30, CR6L-50



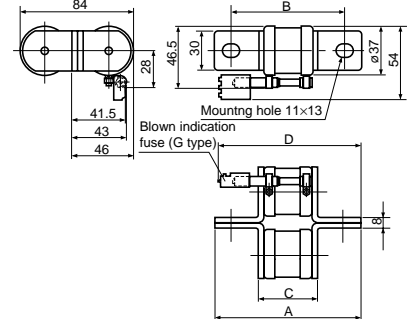
Mass: 42g

Type	A	B	C	D	E	F	G	H	a×b	Mass (g)
CR6L-75	95	70	25	34	47	102	3.2	33.5	11×13	150
CR6L-100										
CR6L-150										
CR6L-200	107	82	30	42	54	107	4	39	11×13	246
CR6L-250										
CR6L-300										

● CR6L-75 to 300

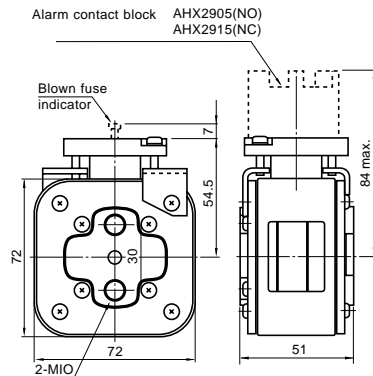


● CR6L-350 to 600



Type	A	B	C	D	Mass (g)
CR6L-350	107	82	43	107	493
CR6L-400	121	96	43	114	522
CR6L-500					
CR6L-600	121	96	47.4	114	545

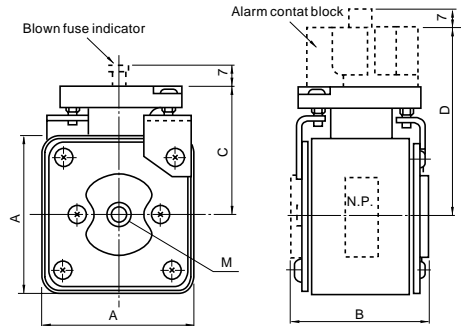
● CS1F-4700 CS2F-2000, 3000



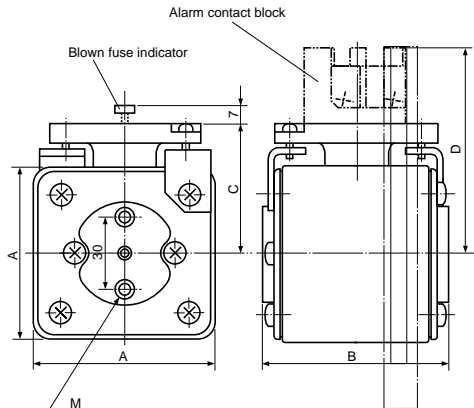
Mass: 800g

Voltage	Type	A	B	C	D (Max.)	M	Mass (g)
500V	CS5F-40	47	47	42.5	65.5	M8	320
	CS5F-75						
	CS5F-100						
	CS5F-150						
	CS5F-200						
	CS5F-250	57	51	47	70	M8	510
	CS5F-300						
	CS5F-350						
	CS5F-400	72	51	54.5	77	M10	800
	CS5F-450						
CS5F-500							
CS5F-600							
CS5F-800							
500V	CS5F-1000	72	51	54.5	77	M12	830
	CS5F-1200						
	CS5F-1500						

● CS5F-40 to 1500 CS10F-80 to 750 CS15F-450, 630



● CS8F-1000, 1200, 1500



Voltage	Type	A	B	C	D (Max.)	M	Mass (g)
800V	CS8F-1000	72	74	54.5	84	M12	1060
	CS8F-1200						
800V	CS8F-1500	72	82	54.5	84	M8	1150
1000V	CS10F-80	47	71	42.5	65.5	M8	420
	CS10F-100						
	CS10F-150	57	74	47	70	M8	690
	CS10F-200						
	CS10F-250						
	CS10F-300	72	74	54.5	77	M10	1060
1500V	CS10F-350						
	CS10F-400						
	CS10F-500						
	CS10F-630						
	CS10F-750						
	CS15F-450	72	105	54.7	77	M10	1400
	CS15F-630						

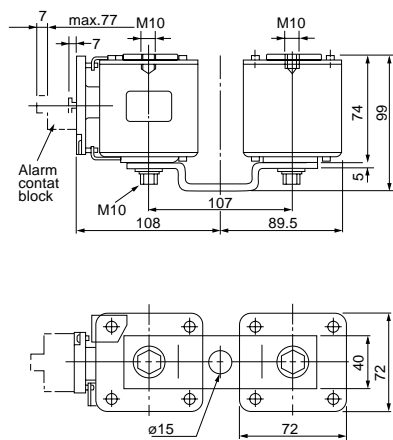
■ Dimensions, mm

● CS5F-P CS10F-P, CS15F-P



Voltage	Type	H	L	Mass (g)
500V	CS5F-1000-P CS5F-1200-P	51	69	1900
1000V	CS10F-800-P CS10F-1000-P CS10F-1250-P	74	92	2420
1500V	CS15F-900-P CS15F-1250-P	105	123	3100

● CS10F-1500-C

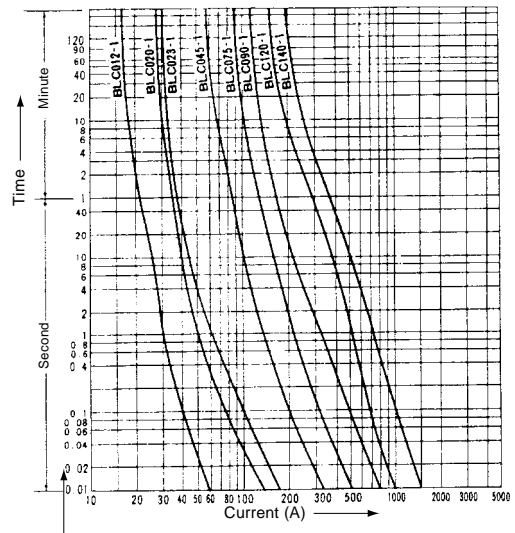


Mass: 2500g

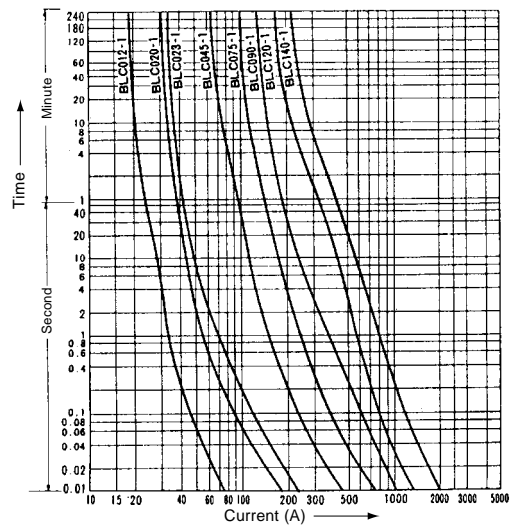
■ Characteristic curves

BLC

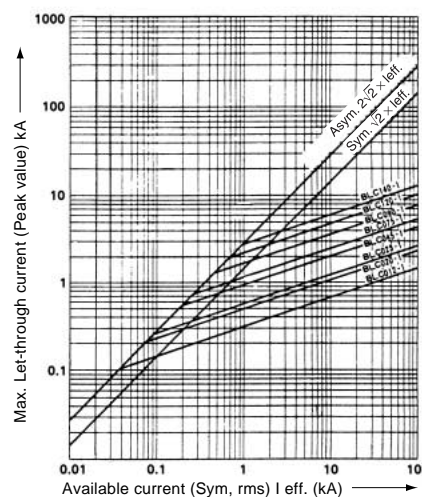
Melting time-current characteristic



Operating time-current characteristic



Current-limiting characteristic

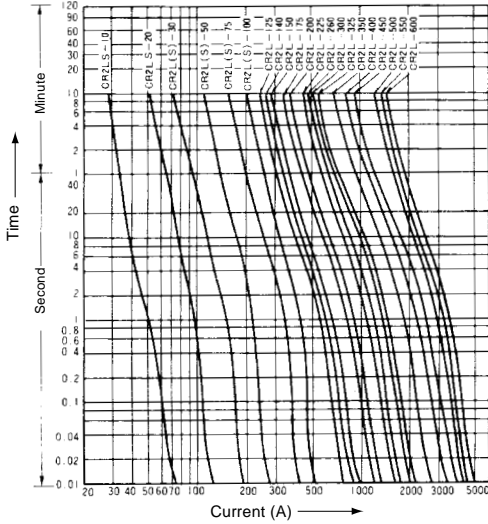


Low Voltage Fuses BLC, CR and CS types Super Rapid Fuses

■ Characteristic curves

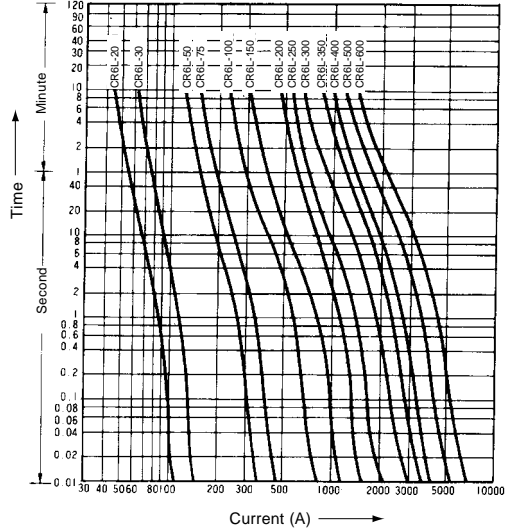
CR2L, CR2LS

Melting time-current characteristic

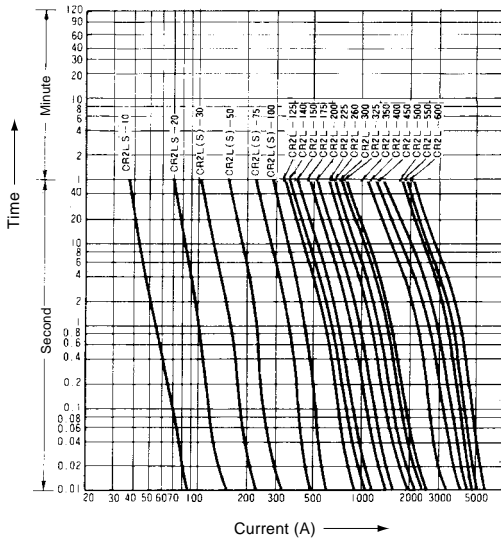


CR6L

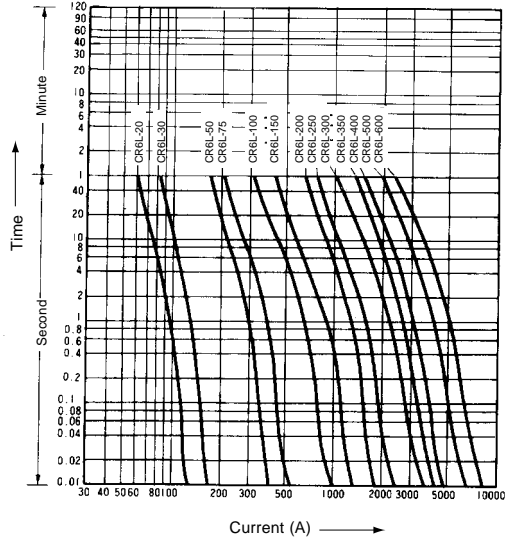
Melting time-current characteristic



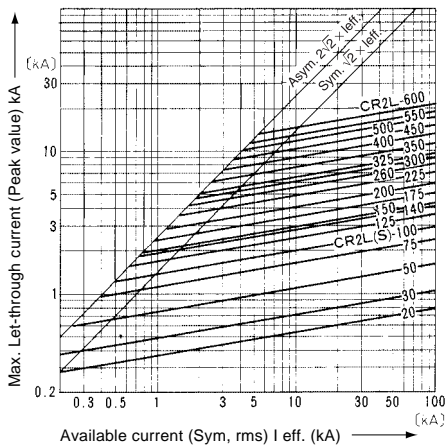
Operating time-current characteristic



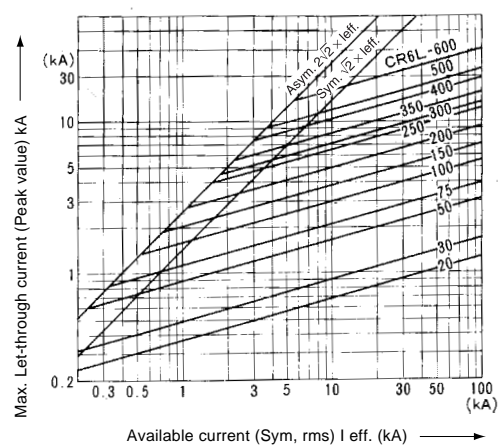
Operating time-current characteristic



Current-limiting characteristic



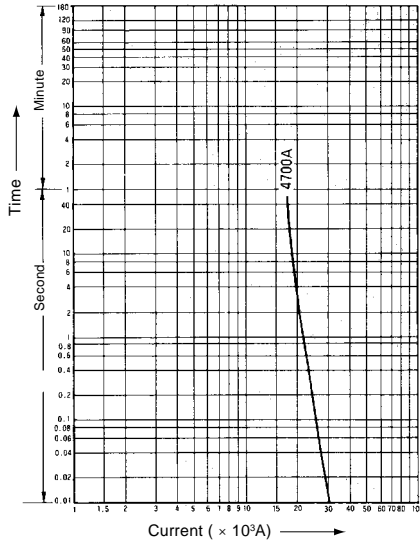
Current-limiting characteristic



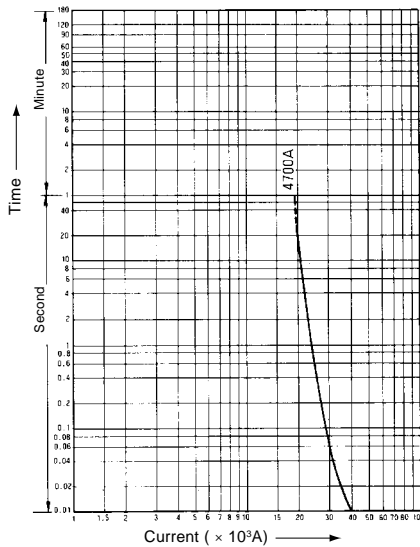
■ Characteristic curves

CS1F

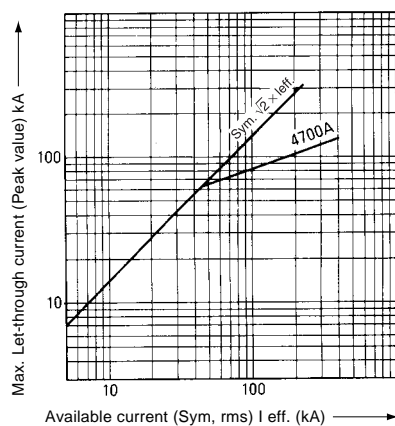
Melting time-current characteristic



Operating time-current characteristic

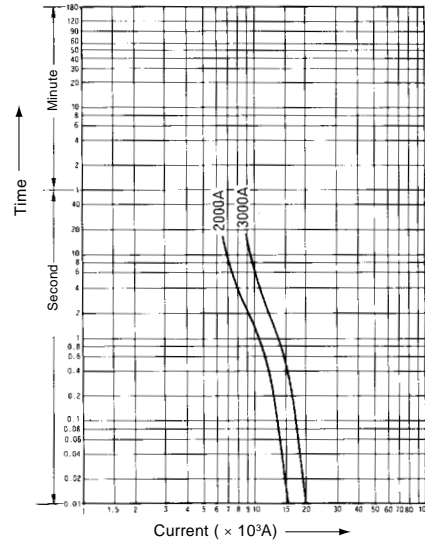


Current-limiting characteristic

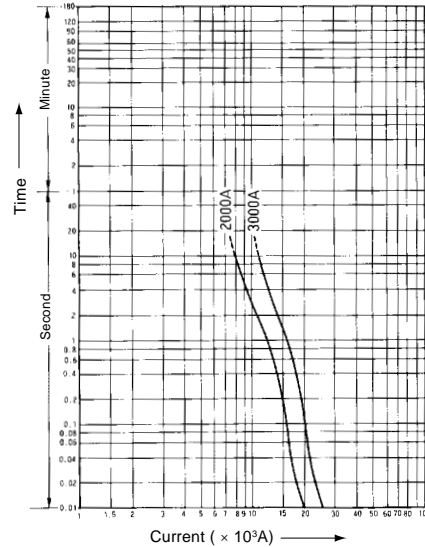


CS2F

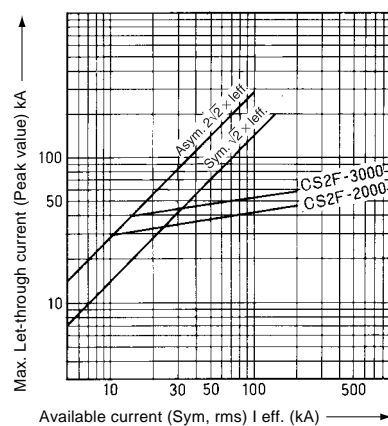
Melting time-current characteristic



Operating time-current characteristic



Current-limiting characteristic



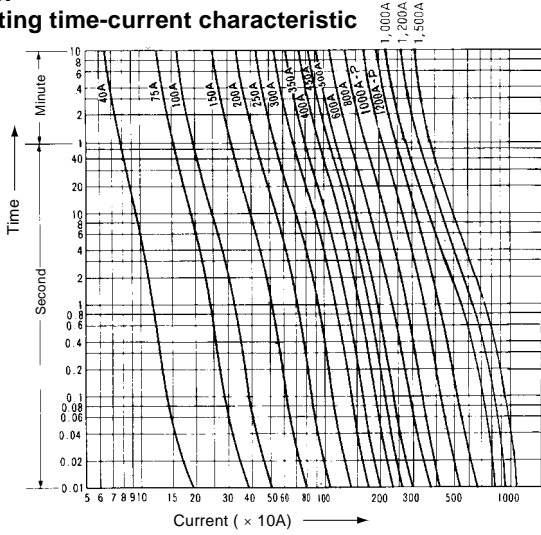
08

Low Voltage Fuses BLC, CR and CS types Super Rapid Fuses

■ Characteristic curves

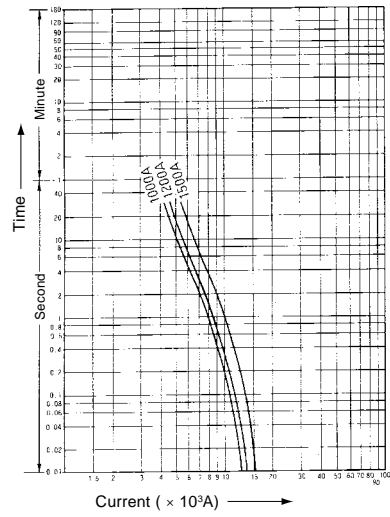
CS5F

Melting time-current characteristic

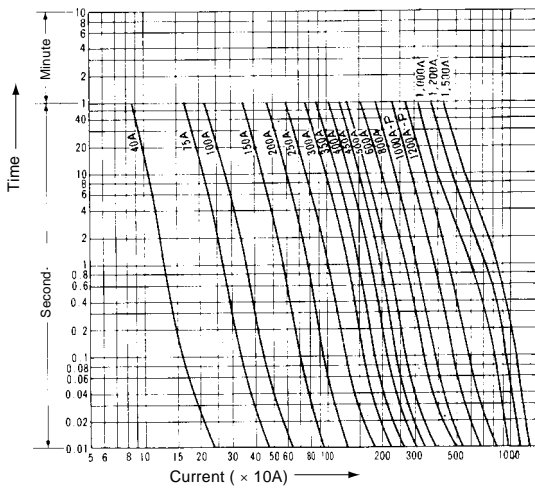


CS8F

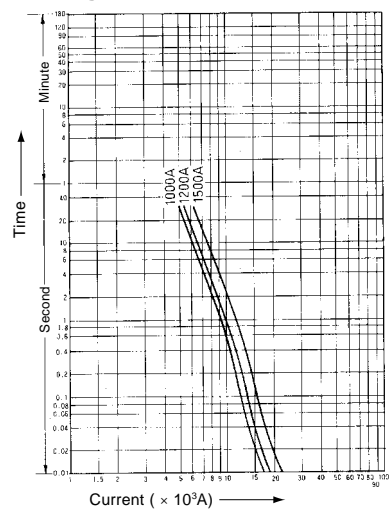
Melting time-current characteristic



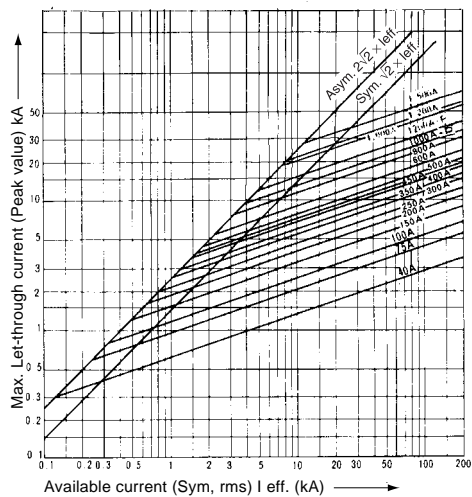
Operating time-current characteristic



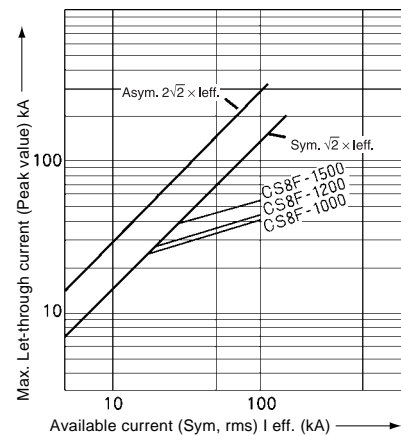
Operating time-current characteristic



Current-limiting characteristic



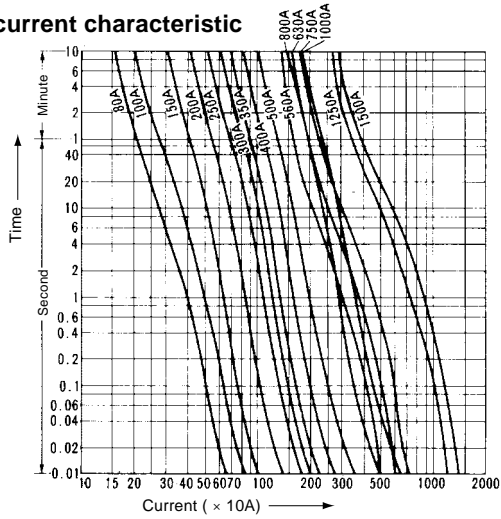
Current-limiting characteristic



■ Characteristic curves

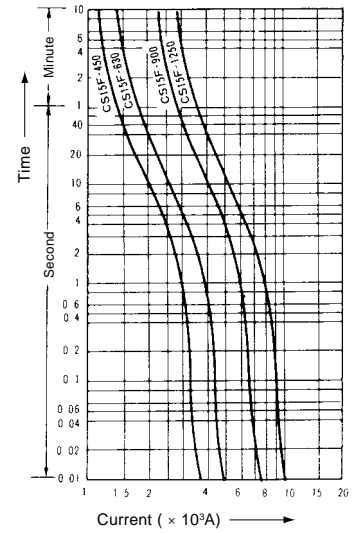
CS10F

Melting time-current characteristic

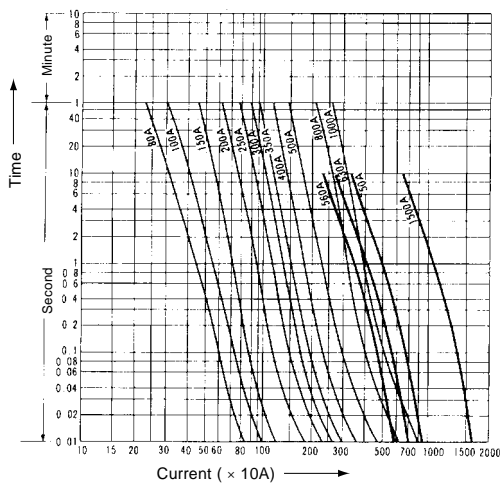


CS15F

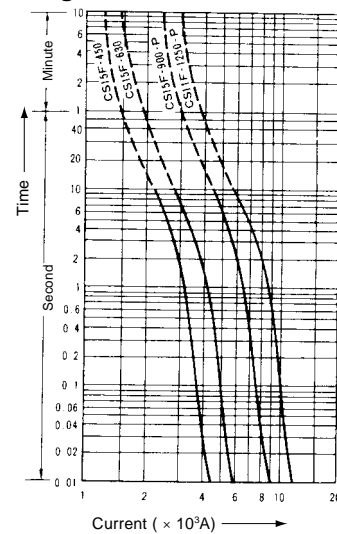
Melting time-current characteristic



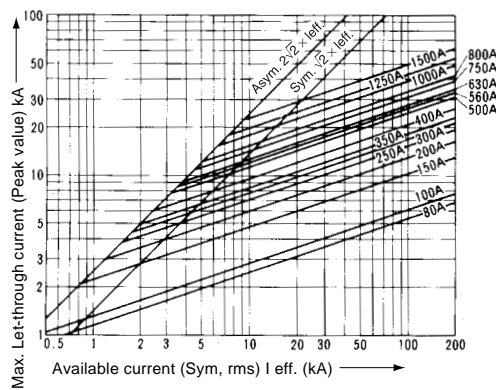
Operating time-current characteristic



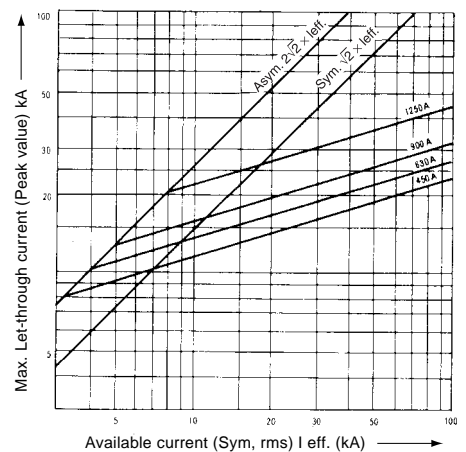
Operating time-current characteristic



Current-limiting characteristic



Current-limiting characteristic



Low Voltage Fuses BLC, CR and CS types Super Rapid Fuses

■ Operating indication

● Blown fuse indication

FUJI Super Rapid Fuses are available in BLC, CR and CS types. These types have different methods of indicating a blown fuse.

● BLC type

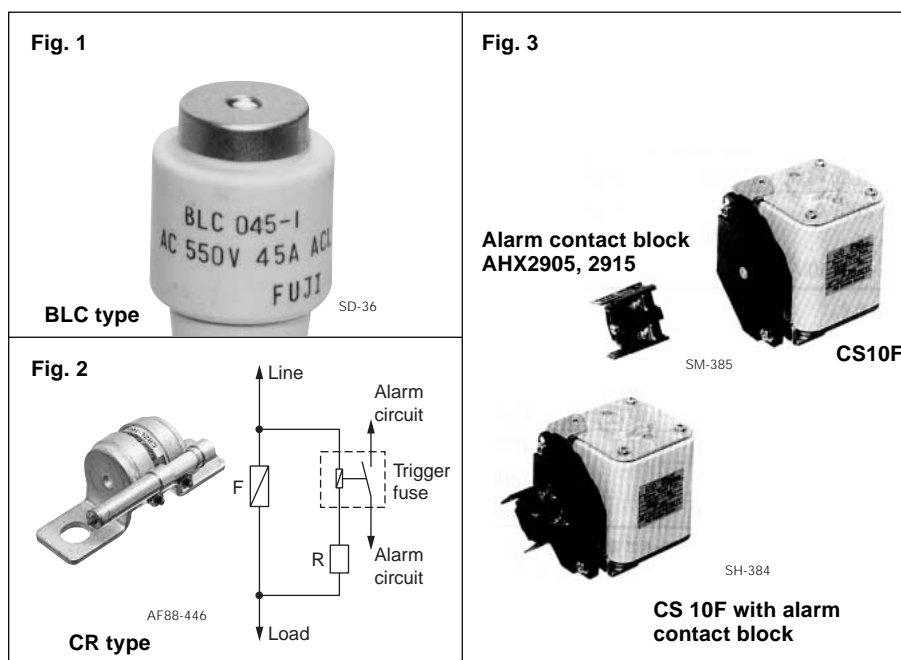
A blown fuse is indicated by the color tip on the ferrule of the fuse being ejected as shown in Fig. 1. This can be seen through the window of the fuse holder.

● CR type

This fuse does not have a blown indicator but if a trigger fuse is connected as shown in Fig. 2 this will provide the alarm for blown fuse.

● CS type

This fuse is provided with a blown fuse indicator. In this case a pin in the contact pad is ejected after the fuse has been blown. If electrical connections for lamps or alarms are required fit the contact block (1NO or 1NC) to the pad as shown in Fig. 3.



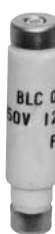
■ Alarm contact block ratings

Type	Contact	Rated voltage (V)	AC		DC			
			Inductive $\cos\phi=0.3-1$		Resistive load		Inductive load	
			Rated operational current (A)	Rated capacity (VA)	Rated operational current (A)	Rated capacity (W)	Rated operational current (A)	Rated capacity (W)
AHX2905	1NO	24	6	150	6	150	6	150
		110	6	660	2.5	275	1.3	140
		220	6	1320	1	220	0.45	100
AHX2915	1NC	440	2.5	1100	0.4	175	0.2	85
		550	2	1100	0.3	165	0.15	85

■ Fuse holder for BLC type fuse

FUJI BLC fuses require special holders. Select the most suitable one which corresponds to the rated current of the fuse.

Dimensions: See page 08/28.



SD-36



AF88-439

Fuse link
BLC

Fuse holder
Surface connection

Fuse link Type	Rated current (A)	Base		Screw cap Type	Adaptor ring Type
		Surface connection Type	Rear connection Type		
BLC012-1	12	AFa30	Ba30	Pa30	R20
BLC020-1	20	AFa30	Ba30	Pa30	-
BLC023-1	23	AFa30	Ba30	Pa30	-
BLC045-1	45	AFa60	Ba60	Pa60	-
BLC075-1	75	AFa100	Ba100	Pa100	R75
BLC090-1	90	AFa100	Ba100	Pa100	-
BLC120-1	120	AFa200	Ba200	Pa200	-
BLC140-1	140	AFa200	Ba200	Pa200	-

■ Application and selection guide BLC, CR and CS-type – Super rapid fuse

When selecting fuses for semiconductor rectifier circuit protection the following conditions must be satisfied.
For additional details contact FUJI.

■ Conditions of application

1. The rated interrupting current of the fuse must be greater than the estimated short circuit current of the circuit.

$$\text{Available short circuit current of rectifier circuit} < \text{Rated interrupting current of fuse}$$

2. The let-thru current value of fuse must be less than the allowable 1/2 cycle surge current value.

$$\text{Fuse let-thru current value} \leq \text{Semiconductor - 1/2 cycle allowable surge current 10ms (at 50Hz)}$$

3. The total clearing I^2t value which the fuse requires to complete interruption must be less than the allowable I^2t value of semiconductor.

$$\text{Fuse - total clearing } I^2t \leq \text{Semiconductor - } I^2t$$

4. The rated current of the fuse must be greater than the average forward current of the semiconductor.

$$\text{Fuse - rated current} > \text{Semiconductor - average forward current}$$

5. The rated current and voltage of the fuse must be greater than those of the rectifier circuit.

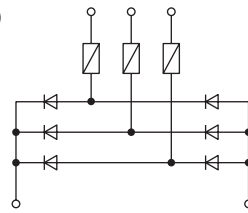
$$\text{Fuse - rated current and voltage} > \text{Rectifier circuit - current and voltage}$$

Method of application

Semiconductor rectifier equipment has a variety of rectifier circuits. Taking the 3-phase bridge rectifier circuit as an example – Fig. (a) and (b) as shown in the following.

Although the number of fuses used in the line fuse method (a) is half the number used in the element fuse method (b), the fuses must have a larger current capacity.

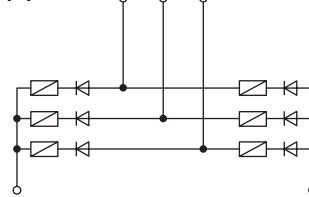
Fig. (a)



Line fuse method

In this method the fuses are connected to the AC line side.

Fig. (b)



Element fuse method

In this method the fuses are connected in series to the semiconductor element.

■ Fuse ratings

When selecting fuses various factors such as protection, coordination and load, etc. must be considered. However, in this catalog the main matters such as voltage, current and I^2t only are explained.

● Rated voltage

The rated voltage of the fuse indicates the maximum operational voltage and this also indicates the root-mean-square value of the AC sinusoidal wave voltage. Select fuses having a rated voltage exceeding the voltage obtained by the formula shown in the following table. (Fig. 1)

Do not select current-limiting fuses with rated voltages drastically exceeding the rectifier circuit voltage. It is necessary to consider the arc voltage.

Fig. 1 Rated voltage required by fuses

Wire connection type	Wiring diagram	Rated voltage of Fuse (V_{FN} rms)	
		For line fuse	For element fuse
Single-phase bridge		$V_{FN} \geq a \cdot E_a$	$V_{FN} \geq a \cdot E_a$
3-phase bridge		$V_{FN} \geq a \cdot E_a$	$V_{FN} \geq a \cdot E_a$
3-phase, double star		$V_{FN} \geq a \cdot \sqrt{3} \cdot E_a$	$V_{FN} \geq a \cdot \sqrt{3} \cdot E_a$

Remarks: The 'a' is a coefficient where the regulation of the AC input voltage is taken into account. This is $a=1.1$ in case of voltage regulation $\pm 10\%$.

Fig. 2 Element current and line current

Wire connection type	Wiring diagram	Element fuse method	Line fuse method
		Element current I_a	Line current I_ℓ
Single-phase bridge		$I_a = \frac{I_d}{\sqrt{2}} = 0.707d$	$I_\ell = d$
3-phase bridge		$I_a = \frac{I_d}{\sqrt{3}} = 0.577d$	$I_\ell = \sqrt{\frac{2}{3}} I_d = 0.816d$
3-phase, double star		$I_\ell = I_a = \frac{I_d}{2\sqrt{3}} = 0.289d$	

Low Voltage Fuses BLC, CR and CS types Super Rapid Fuses

• Rated current

The current values in fuses in the line fuse system and the element fuse system are different. Obtain the correct current value from the table on page 08/41 (Fig. 2).

When selecting the rated current of a fuse choose a fuse having an amperage rating greater than the current which flows in the semiconductor if the load is continuous and a fixed current.

If the current which flows in the semiconductor is greater than the rated current of the fuse connect the fuses in parallel. However, in this case, if the numbers of fuses arranged in parallel are 'n', then the I²t value of the fuse will be n²·I²t and n² times the I²t value of one fuse. This should be taken into consideration when protective coordination is taken into account. In the case of the circuit where the load rapidly varies the fuse element will suffer from mechanical deterioration and be damaged by thermal stress. In loads of this type the deterioration characteristics of the fuse must be closely considered.

Moreover if the fuse current – time characteristics of the fuse selected is less than the overload characteristics of the semiconductor element then complete protection can be obtained. However, if the semiconductor element has a large capacity then protective cooperation is very difficult to arrange. The fuses are used to isolate the shorted semiconductor element circuit from sound operating circuits.

■ Total clearing I²t

The total clearing I²t of fuse is a very important factor when considering the protective coordination of the semiconductor. This total clearing I²t is the value where the arcing I²t is added to the melting I²t. Therefore it is necessary to satisfy the following formula.

$$\text{Fuse - total clearing I}^2\text{t} \geq \text{Semiconductor I}^2\text{t}$$

The total clearing I²t of fuse depends upon the operational voltage and interrupting current.

Therefore, for this reason if a 500 Volts fuse is used in a 300 Volts circuit the total clearing I²t is reduced by 50–70%. However, the reduction rate varies according to the type of fuse construction. This must be checked and confirmed once more.

Example

I²t

All I²t values are ampere² seconds.

The I²t data for silicon diodes or thyristor elements are normally given in their respective catalogs. If the A²S data is not given in their catalog obtain the value in the following manner. If protection is needed for a 250V, 150A (I_o) diode having a maximum allowable peak half sine wave current of 2700A, it is important that the fuse has a total I²t value lower than that of the diode.

Calculation

$$\begin{aligned} \text{Maximum I}^2\text{t diode} &= \left(\frac{1 \text{ Peak}}{2}\right)^2 \cdot 0.0167 \\ &= \left(\frac{2700}{2}\right)^2 \cdot 0.0167 \\ &= 30,400\text{A}^2 \text{ Sec.} \end{aligned}$$

From the table (Page 08/38), the fuse with a total I²t nearest to 30,400A² Sec. is the 260 Ampere fuse (CR 2L-260).

■ Interrupting current

The rated interrupting current of the fuse must exceed the maximum value (Symmetrical RMS value) of the estimated circuit fault current.

■ Peak arc voltage

In the case of the current-limiting fuse an arc voltage (overvoltage) is generated at the time of interruption due to its fusible element construction. It is necessary to check that this peak arc voltage does not exceed the semiconductor's maximum (Non-repetitive peak) reverse voltage value.

■ Current limitation

Select a fuse whose let-thru current value does not exceed the allowable 1/2 cycle surge current of the semiconductor. The allowable surge current is the peak value of the current which in case at 50Hz is allowed to flow for 10ms. In the current-limiting fuse the fault must be cleared in the shortest possible time or in the first 1/2 cycle.

Available current is the current which would flow if the fuse were not current-limiting.

This would cause damage to equipment. Let-thru current is the actual current allowed to flow by the current limiting action of the fuse. A number of let-thru current graphs are given in this catalog and example is given in the following paragraph. The method of reading this graph is provided for your reference.

How to find a let-thru current

– Example

Fuse: 200 Amps 500V

Available R.M.S symmetrical current:

100,000 Amps

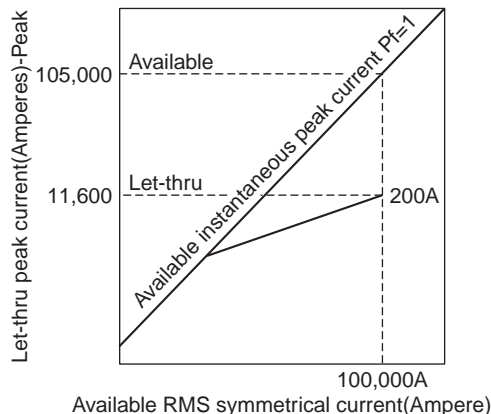
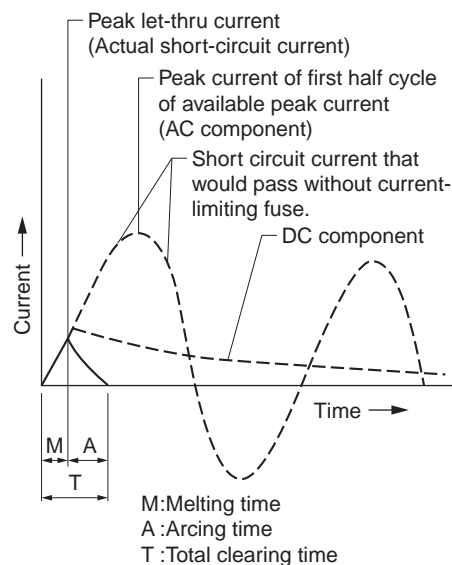
Let-thru peak current (Instantaneous):

11,600 Amps

Let-thru R.M.S. current

11,600 ÷ 1.7 = 6,800 Amps

This example clearly shows that while a 100kA (rms, sym) current is available, the fuse limits the current let-thru to 6,800 Amperes (rms, sym).



Catalog Disclaimer

The information contained in this catalog does not constitute an express or implied warranty of quality, any warranty of merchantability or fitness for a particular purpose is hereby disclaimed.

Since the user's product information, specific use application, and conditions of use are all outside of Fuji Electric FA Components & Systems' control, **it shall be the responsibility of the user to determine the suitability of any of the products mentioned for the user's application.**

One Year Limited Warranty

The products identified in this catalog shall be sold pursuant to the terms and conditions identified in the "Conditions of Sale" issued by Fuji Electric FA with each order confirmation.

Except to the extent otherwise provided for in the Conditions of Sale issued by Fuji Electric FA, Fuji Electric FA warrants that the Fuji Electric FA products identified in this catalog shall be free from significant defects in materials and workmanship provided the product has not been: 1) repaired or altered by others than Fuji Electric FA; 2) subjected to negligence, accident, misuse, or damage by circumstances beyond Fuji Electric FA's control; 3) improperly operated, maintained or stored; or 4) used in other than normal use or service. This warranty shall apply only to defects appearing within one (1) year from the date of shipment by Fuji Electric FA, and in such case, only if such defects are reported to Fuji Electric FA within thirty (30) days of discovery by purchaser. Such notice should be submitted in writing to Fuji Electric FA at 5-7, Nihonbashi Odemma-cho, Chuo-ku, Tokyo, Japan. The sole and exclusive remedy with respect to the above warranty whether such claim is based on warranty, contract, negligence, strict liability or any other theory, is limited to the repair or replacement of such product or, at Fuji Electric FA's option reimbursement by Fuji Electric FA of the purchase price paid to Fuji Electric FA for the particular product. **Fuji Electric FA does not make any other representations or warranties, whether oral or in writing, expressed or implied, including but not limited to any warranty regarding merchantability or fitness for a particular purpose.** Except as provided in the Conditions of Sale, no agent or representative of Fuji Electric FA is authorized to modify the terms of this warranty in writing or orally.

In no event shall Fuji Electric FA be liable for special, indirect or consequential damages, including but not limited to, loss of use of the product, other equipment, plant and power system which is installed with the product, loss of profits or revenues, cost of capital, or claims against the purchaser or user of the product by its customers resulting from the use of information, recommendations and descriptions contained herein. The purchaser agrees to pass on to its customers and users, in writing at the time inquiries and orders are received by buyer, Fuji Electric FA's warranty as set forth above.

Caution "Safety precautions"

- Operate (keep) in the environment specified in the operating instructions and manual. High temperature, high humidity, condensation, dust, corrosive gases, oil, organic solvents, excessive vibration or shock might cause electric shock, fire, erratic operation or failure.
- Follow the regulations of industrial wastes when the product is to be discarded.
- The products covered in this catalog have not been designed or manufactured for use in equipment or systems which, in the event of failure, can lead to loss of human life.
- If you intend to use the products covered in this catalog for special applications, such as for nuclear energy control, aerospace, medical, or transportation, please consult our Fuji Electric FA agent.
- Be sure to provide protective measures when using the product covered in these catalogs in equipment which, in the event of failure, may lead to loss of human life or other grave results.
- Follow the directions of the operating instructions when mounting the product.

D&C CATALOG DIGEST INDEX

Individual catalog No. **LOW VOLTAGE PRODUCTS Up to 600 Volts**

01 Magnetic Contactors and Starters
Thermal Overload Relays, Solid-state Contactors

02 Manual Motor Starters and Contactors
Combination Starters

03 Industrial Relays, Industrial Control Relays
Annunciator Relay Unit, Time Delay Relays

04 Pushbuttons, Selector Switches, Pilot Lights
Rotary Switches, Cam Type Selector Switches
Panel Switches, Terminal Blocks, Testing Terminals

05 Limit Switches, Proximity Switches
Photoelectric Switches

06 Molded Case Circuit Breakers
Air Circuit Breakers

07 Earth Leakage Circuit Breakers
Earth Leakage Protective Relays

08 Circuit Protectors
Low Voltage Current-Limiting Fuses

09 Measuring Instruments, Arresters, Transducers
Power Factor Controllers
Power Monitoring Equipment (F-MPC)

10 AC Power Regulators
Noise Suppression Filters
Control Power Transformers

HIGH VOLTAGE PRODUCTS Up to 36kV

11 Disconnecting Switches, Power Fuses
Air Load Break Switches
Instrument Transformers — VT, CT

12 Vacuum Circuit Breakers, Vacuum Magnetic Contactors
Protective Relays

INDIVIDUAL CATALOG **08**

from D&C CATALOG 20th Edition

Fuji Electric FA Components & Systems Co., Ltd.

5-7, Nihonbashi Odemma-cho, Chuo-ku, Tokyo, 103-0011, Japan

URL <http://www.fujielectric.co.jp/fcs/eng>

Information in this catalog is subject to change without notice.