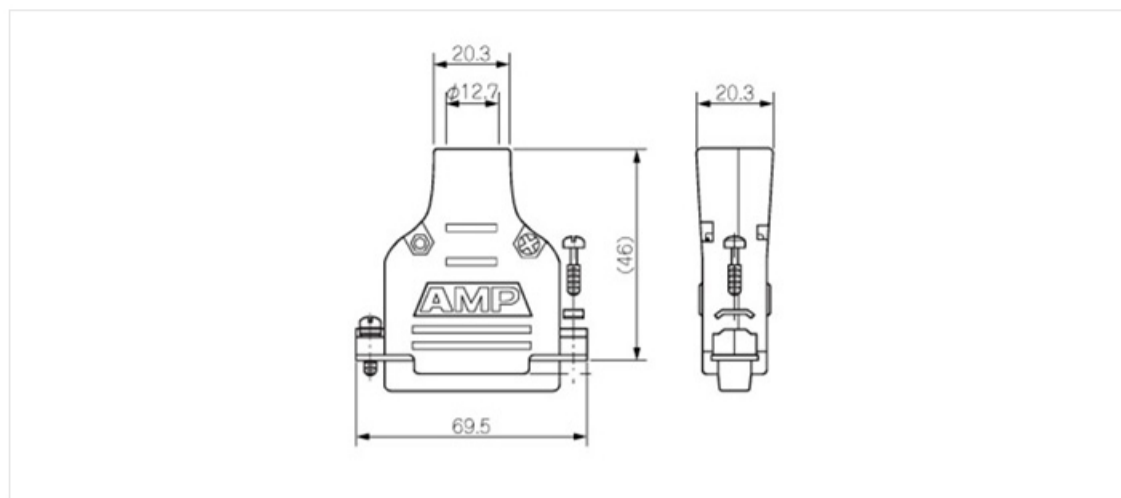


37-pin D-sub Connector A6CON1E Specifications



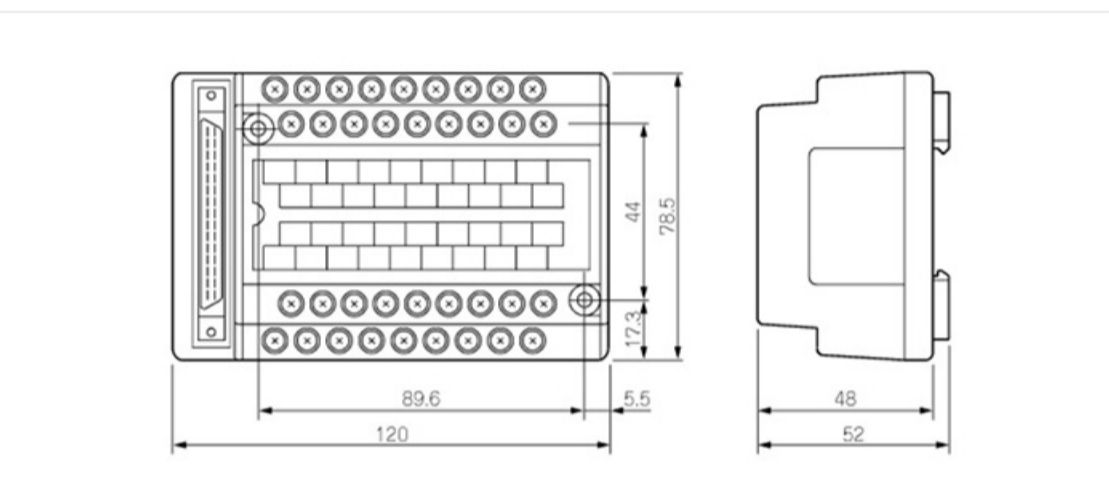
37-pin D-sub connector A6CON1E external appearance



37-pin D-sub connector A6CON1E dimensional drawing, unit: mm

- Compatible standard: DNV GL
- Exterior wiring connection method: 37-pin D-sub connector
- Type: Soldered connector (straight out type)
- Compatible cable size: 0.3 mm²(AWG22) (stranded wire)

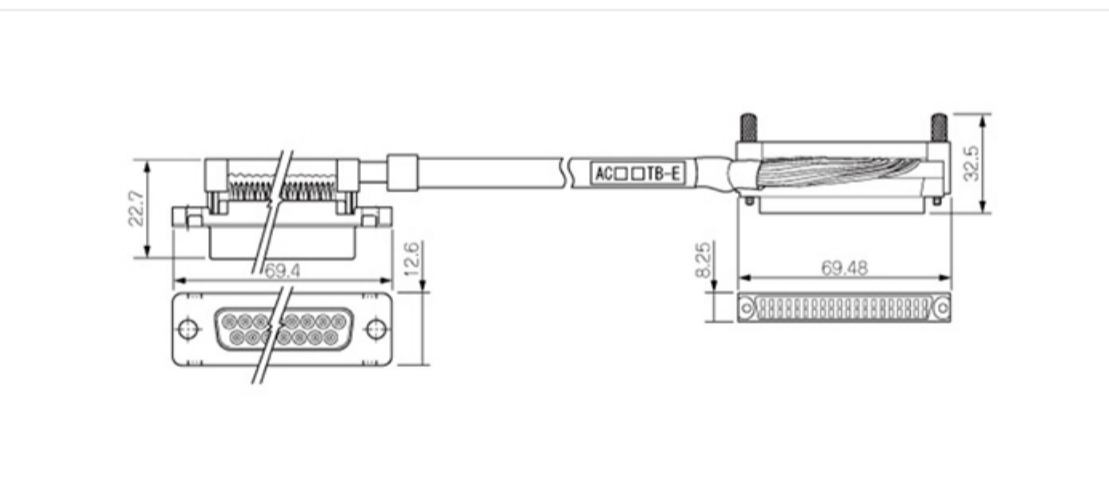
Connector/Terminal Block Conversion Unit A6TBX36-E Specifications



Connector/terminal block conversion unit A6TBX36-E dimensional drawing, unit: mm

- External wiring connection method: screw terminal block (M3.5 screws)
- Weight: 0.40 kg

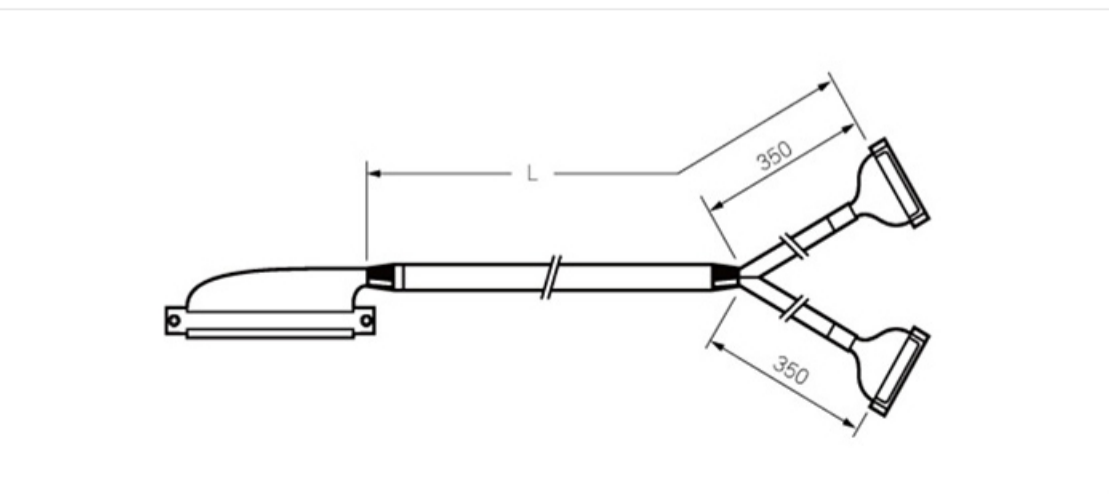
Connector Terminal Block Conversion Unit Cable AC05TB-E Specifications



Connector terminal block conversion unit cable AC05TB-E dimensional drawing, unit: mm

- Overview: For A6TBX36-E/A6TBY36-E/A6TBX54-E/A6TBY54-E/A6TBX70-E (for Negative Common Type / Source Type) Connection Cable 0.5 m

Relay Terminal Unit Cable Specifications



Relay terminal unit cable AC100TE dimensional drawing, unit: mm

AC100TE

Overview: Relay terminal unit connection cable 10 m

Use 1 of these cables and 2 relay terminal units for 32 points (1 connector)

*Refer to the manufacturer's catalog for specifications other than those above.

Please check the type/dimensions/specifications of the part AC05TB in the Sequencer MELSEC-Q Optional Part (Connector / Terminal Block Conversion Unit / Cable) series.

Type	Cable Length L
AC06TE	0.6 m
AC10TE	1 m
AC30TE	3 m
AC50TE	5 m
AC100TE	10 m