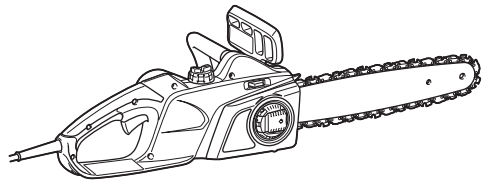




EN	Electric Chain Saw	INSTRUCTION MANUAL	8
ZHCN	电链锯	使用说明书	20
ID	Gergaji Mesin Listrik	PETUNJUK PENGGUNAAN	33
MS	Gergaji Rantai Elektrik	MANUAL ARAHAN	47
VI	Máy Cưa Xích Cầm Tay Hoạt Động Bằng Động Cơ Điện	TÀI LIỆU HƯỚNG DẪN	61
TH	เลื่อยไฟฟ้า	คู่มือการใช้งาน	74

UC3041A
UC3541A
UC4041A



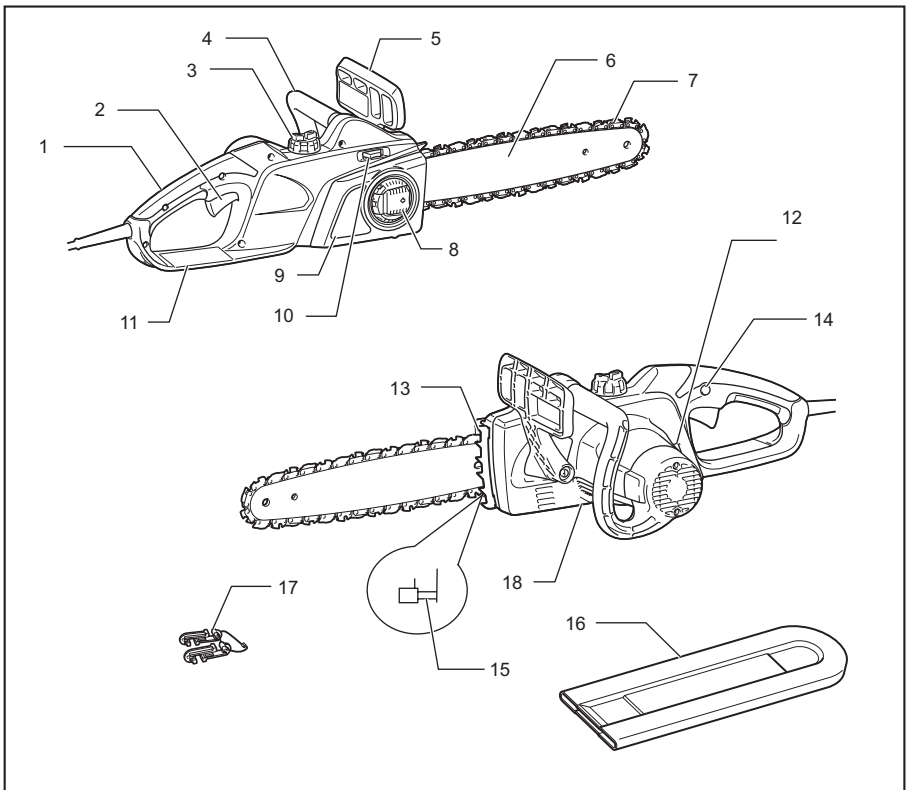


Fig.1

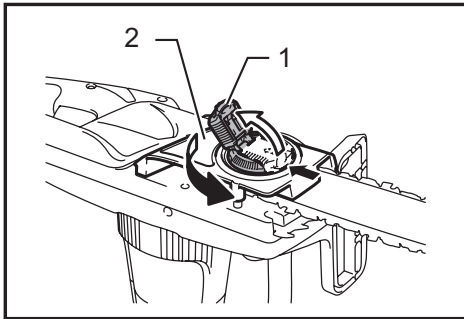


Fig.2

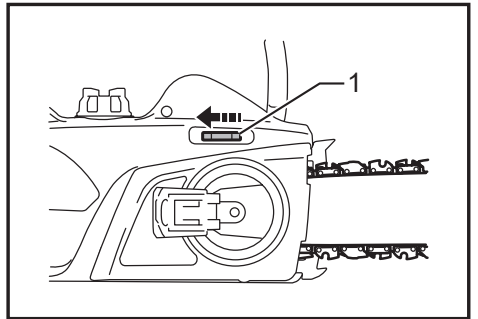


Fig.3

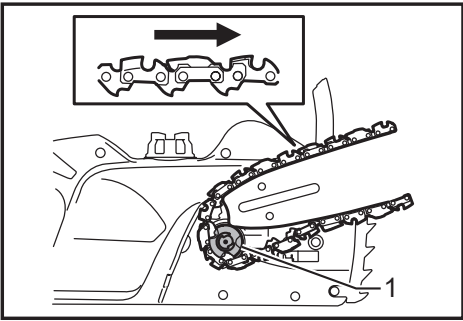


Fig.4

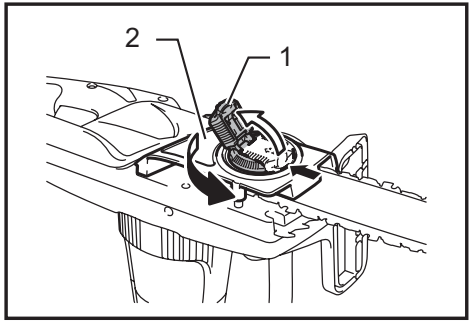


Fig.8

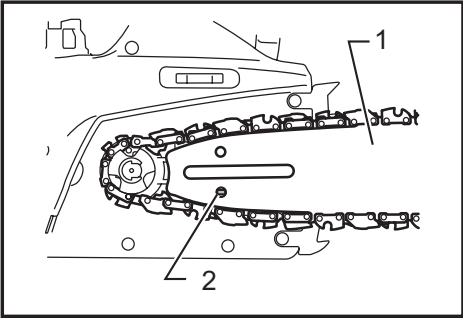


Fig.5

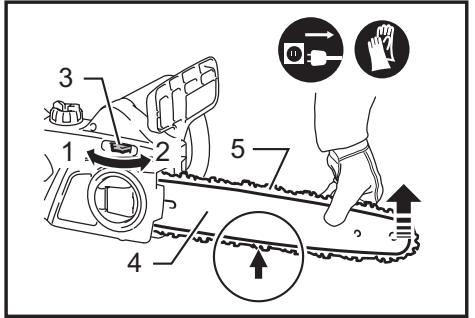


Fig.9

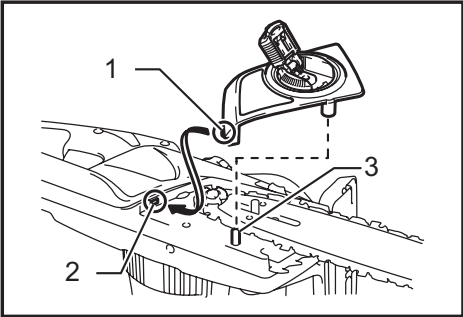


Fig.6

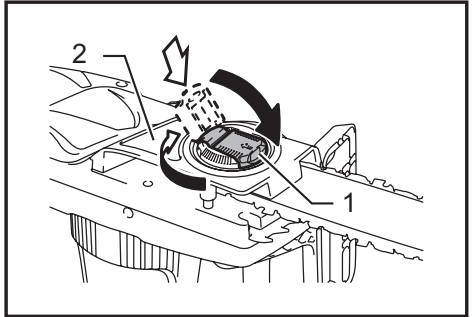


Fig.10

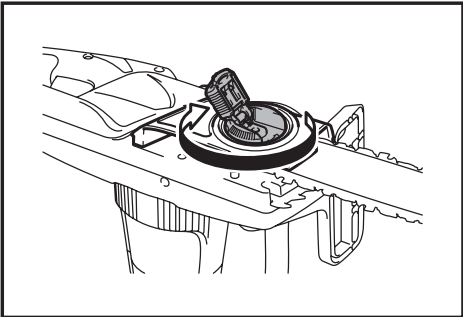


Fig.7

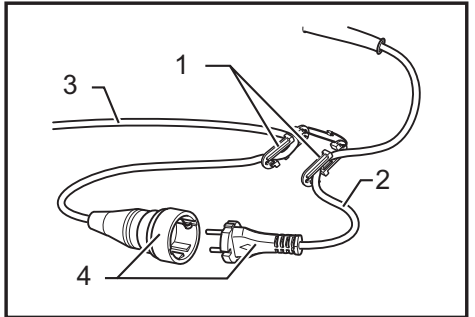


Fig.11

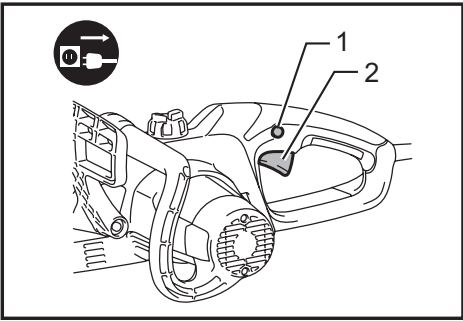


Fig.12

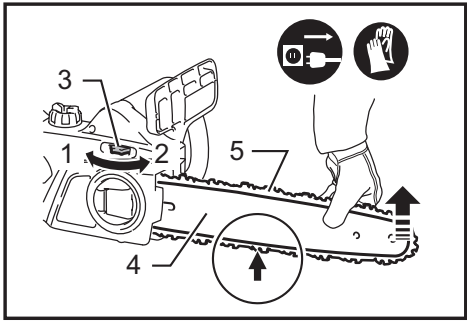


Fig.16

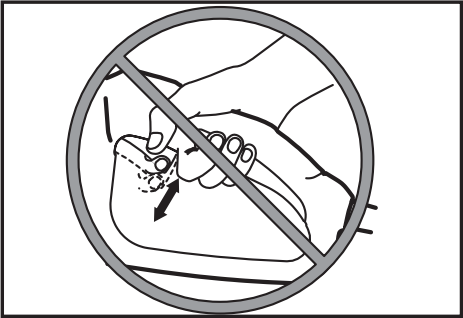


Fig.13

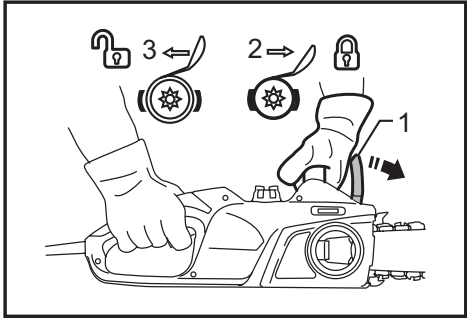


Fig.17

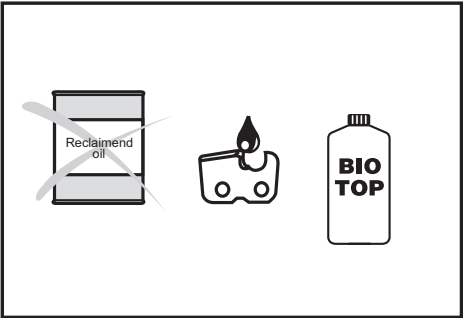


Fig.14

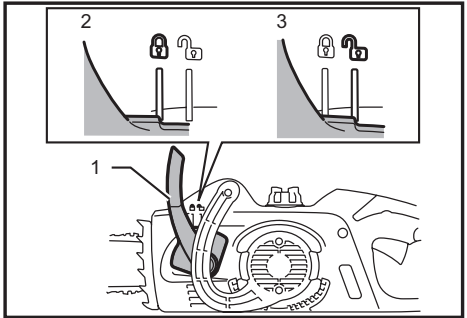


Fig.18

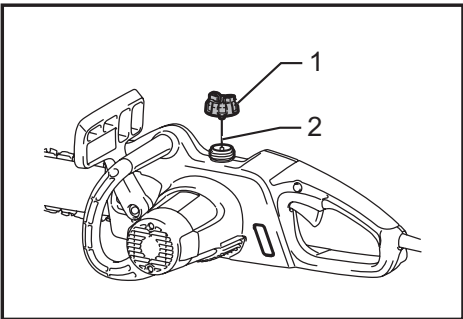


Fig.15

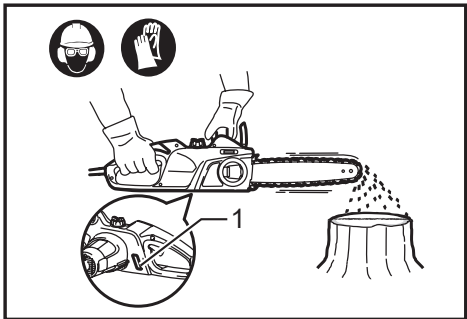


Fig.19

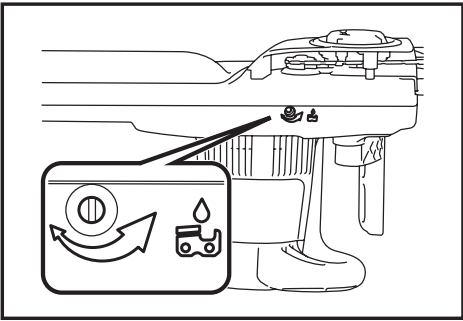


Fig.20

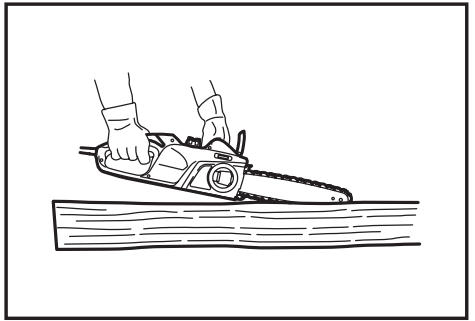


Fig.24

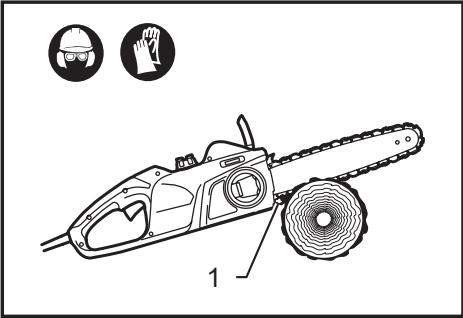


Fig.21

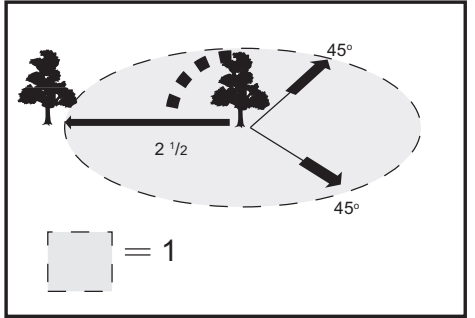


Fig.25

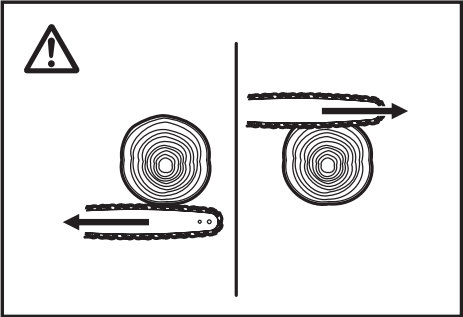


Fig.22

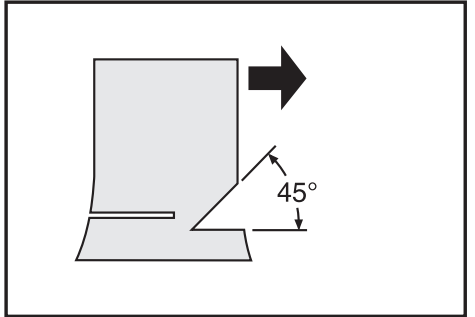


Fig.26

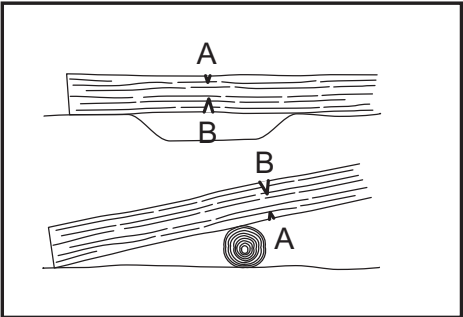


Fig.23

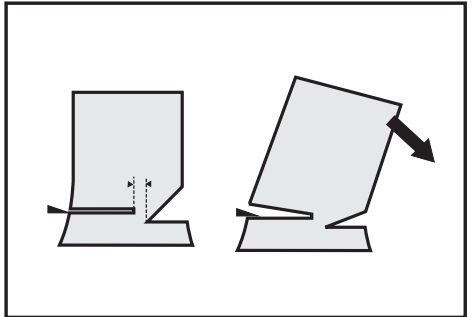


Fig.27

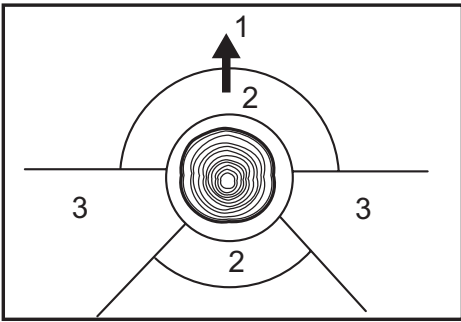


Fig.28

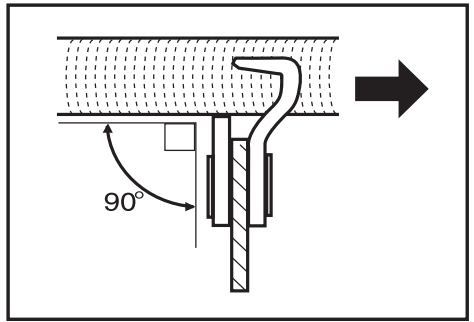


Fig.32

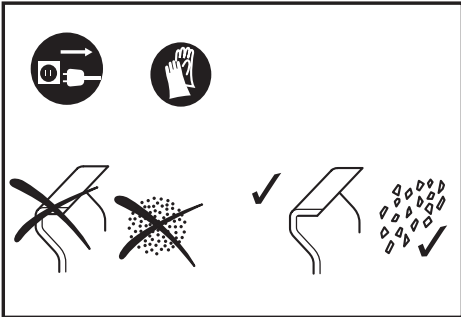


Fig.29

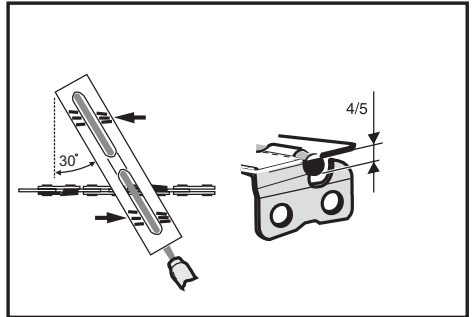


Fig.33

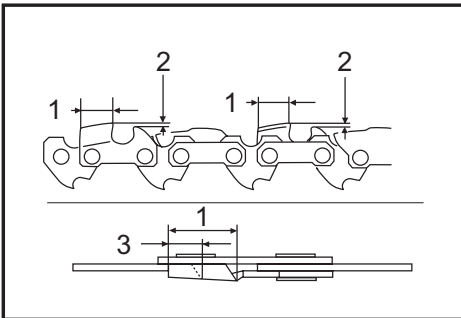


Fig.30

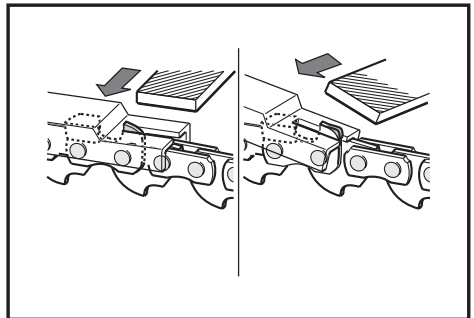


Fig.34

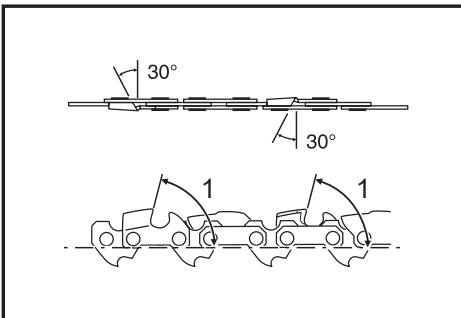


Fig.31

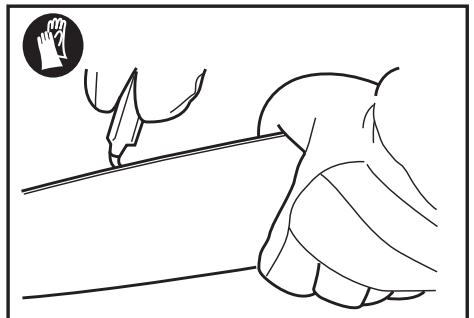


Fig.35

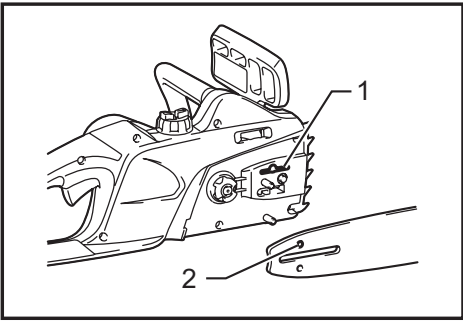


Fig.36

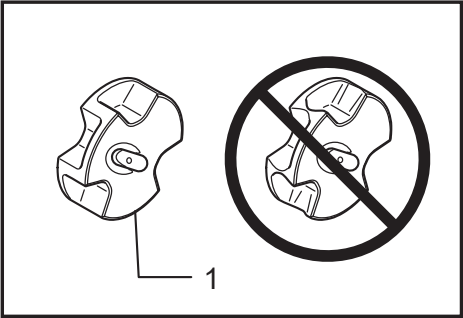


Fig.37

SPECIFICATIONS

Model		UC3041A		UC3541A		UC4041A	
Max. chain speed		14.5 m/s (870 m/min)					
Standard guide bar	Bar length	300 mm		350 mm		400 mm	
	Cutting length	265 mm		325 mm		360 mm	
	Guide bar type	Sprocket nose bar					
Standard saw chain	Type	90PX	91PX	90PX	91PX	90PX	91PX
	Pitch	3/8"					
	No. of drive links	46		52		56	
Recommended guide bar length		300 - 400 mm					
Overall length (without guide bar)		455 mm					
Net weight		4.6 kg		4.7 kg		4.7 kg	
Extension cable (optional)		DIN 57282/HO 7RN -F L=30 m max.,3x1.5 mm ²					

- Due to our continuing program of research and development, the specifications herein are subject to change without notice.
- Specifications may differ from country to country.
- Weight according to EPTA-Procedure 01/2003

Symbol

The following show the symbols used for the equipment. Be sure that you understand their meaning before use.

	Read instruction manual and follow the warnings and safety instructions.
	Wear eye protection.
	Wear ear protection.
	DOUBLE INSULATION
	Caution: particular care and attention required!
	Caution: withdraw the mains plug immediately if the cable is damaged!
	Caution: kickback!
	Protect against rain and damp!
	Wear a helmet, goggles and ear protection!
	Wear safety gloves!
	Withdraw the mains plug!

	First aid
	Maximum permissible length of cut
	Direction of chain travel
	Chain oil
	Chain brake released
	Chain brake applied
	Prohibited!
	Only for EU countries Do not dispose of electric equipment together with household waste material! In observance of the European Directive, on Waste Electric and Electronic Equipment and its implementation in accordance with national law, electric equipment that have reached the end of their life must be collected separately and returned to an environmentally compatible recycling facility.

Intended use

The tool is intended for cutting lumbers and logs.

Power supply

The tool should be connected only to a power supply of the same voltage as indicated on the nameplate, and can only be operated on single-phase AC supply. They are double-insulated and can, therefore, also be used from sockets without earth wire.

General Power Tool Safety Warnings

⚠WARNING Read all safety warnings and all instructions. Failure to follow the warnings and instructions may result in electric shock, fire and/or serious injury.

Save all warnings and instructions for future reference.

The term "power tool" in the warnings refers to your mains-operated (corded) power tool or battery-operated (cordless) power tool.

Work area safety

1. **Keep work area clean and well lit.** Cluttered or dark areas invite accidents.
2. **Do not operate power tools in explosive atmospheres, such as in the presence of flammable liquids, gases or dust.** Power tools create sparks which may ignite the dust or fumes.
3. **Keep children and bystanders away while operating a power tool.** Distractions can cause you to lose control.

Electrical safety

4. **Power tool plugs must match the outlet. Never modify the plug in any way. Do not use any adapter plugs with earthed (grounded) power tools.** Unmodified plugs and matching outlets will reduce risk of electric shock.
5. **Avoid body contact with earthed or grounded surfaces such as pipes, radiators, ranges and refrigerators.** There is an increased risk of electric shock if your body is earthed or grounded.
6. **Do not expose power tools to rain or wet conditions.** Water entering a power tool will increase the risk of electric shock.
7. **Do not abuse the cord. Never use the cord for carrying, pulling or unplugging the power tool. Keep cord away from heat, oil, sharp edges or moving parts.** Damaged or entangled cords increase the risk of electric shock.
8. **When operating a power tool outdoors, use an extension cord suitable for outdoor use.** Use of a cord suitable for outdoor use reduces the risk of electric shock.
9. **If operating a power tool in a damp location is unavoidable, use a residual current device (RCD) protected supply.** Use of an RCD reduces the risk of electric shock.
10. **Use of power supply via a RCD with a rated residual current of 30 mA or less is always recommended.**

Personal safety

11. **Stay alert, watch what you are doing and use common sense when operating a power tool. Do not use a power tool while you are tired or under the influence of drugs, alcohol or medication.** A moment of inattention while operating power tools may result in serious personal injury.

12. **Use personal protective equipment. Always wear eye protection.** Protective equipment such as dust mask, non-skid safety shoes, hard hat, or hearing protection used for appropriate conditions will reduce personal injuries.
13. **Prevent unintentional starting. Ensure the switch is in the off-position before connecting to power source and/or battery pack, picking up or carrying the tool.** Carrying power tools with your finger on the switch or energising power tools that have the switch on invites accidents.
14. **Remove any adjusting key or wrench before turning the power tool on.** A wrench or a key left attached to a rotating part of the power tool may result in personal injury.
15. **Do not overreach. Keep proper footing and balance at all times.** This enables better control of the power tool in unexpected situations.
16. **Dress properly. Do not wear loose clothing or jewellery. Keep your hair, clothing, and gloves away from moving parts.** Loose clothes, jewellery or long hair can be caught in moving parts.
17. **If devices are provided for the connection of dust extraction and collection facilities, ensure these are connected and properly used.** Use of dust collection can reduce dust-related hazards.

Power tool use and care

18. **Do not force the power tool. Use the correct power tool for your application.** The correct power tool will do the job better and safer at the rate for which it was designed.
19. **Do not use the power tool if the switch does not turn it on and off.** Any power tool that cannot be controlled with the switch is dangerous and must be repaired.
20. **Disconnect the plug from the power source and/or the battery pack from the power tool before making any adjustments, changing accessories, or storing power tools.** Such preventive safety measures reduce the risk of starting the power tool accidentally.
21. **Store idle power tools out of the reach of children and do not allow persons unfamiliar with the power tool or these instructions to operate the power tool.** Power tools are dangerous in the hands of untrained users.
22. **Maintain power tools. Check for misalignment or binding of moving parts, breakage of parts and any other condition that may affect the power tool's operation. If damaged, have the power tool repaired before use.** Many accidents are caused by poorly maintained power tools.
23. **Keep cutting tools sharp and clean.** Properly maintained cutting tools with sharp cutting edges are less likely to bind and are easier to control.
24. **Use the power tool, accessories and tool bits etc. in accordance with these instructions, taking into account the working conditions and the work to be performed.** Use of the power tool for operations different from those intended could result in a hazardous situation.

Service

25. **Have your power tool serviced by a qualified repair person using only identical replacement parts.** This will ensure that the safety of the power tool is maintained.
26. **Follow instruction for lubricating and changing accessories.**
27. **Keep handles dry, clean and free from oil and grease.**

Chain saw safety warnings

1. **Keep all parts of the body away from the saw chain when the chain saw is operating. Before you start the chain saw, make sure the saw chain is not contacting anything.** A moment of inattention while operating chain saws may cause entanglement of your clothing or body with the saw chain.
2. **Always hold the chain saw with your right hand on the rear handle and your left hand on the front handle.** Holding the chain saw with a reversed hand configuration increases the risk of personal injury and should never be done.
3. **Hold the power tool by insulated gripping surfaces only, because the saw chain may contact hidden wiring or its own cord.** Saw chains contacting a "live" wire may make exposed metal parts of the power tool "live" and could give the operator an electric shock.
4. **Wear safety glasses and hearing protection. Further protective equipment for head, hands, legs and feet is recommended.** Adequate protective clothing will reduce personal injury by flying debris or accidental contact with the saw chain.
5. **Do not operate a chain saw in a tree.** Operation of a chain saw while up in a tree may result in personal injury.
6. **Always keep proper footing and operate the chain saw only when standing on fixed, secure and level surface.** Slippery or unstable surfaces such as ladders may cause a loss of balance or control of the chain saw.
7. **When cutting a limb that is under tension be alert for spring back.** When the tension in the wood fibres is released the spring loaded limb may strike the operator and/or throw the chain saw out of control.
8. **Use extreme caution when cutting brush and saplings.** The slender material may catch the saw chain and be whipped toward you or pull you off balance.
9. **Carry the chain saw by the front handle with the chain saw switched off and away from your body. When transporting or storing the chain saw always fit the guide bar cover.** Proper handling of the chain saw will reduce the likelihood of accidental contact with the moving saw chain.
10. **Follow instructions for lubricating, chain tensioning and changing accessories.** Improperly tensioned or lubricated chain may either break or increase the chance for kickback.
11. **Keep handles dry, clean, and free from oil and grease.** Greasy, oily handles are slippery causing loss of control.

12. **Cut wood only. Do not use chain saw for purposes not intended. For example: do not use chain saw for cutting plastic, masonry or non-wood building materials.** Use of the chain saw for operations different than intended could result in a hazardous situation.

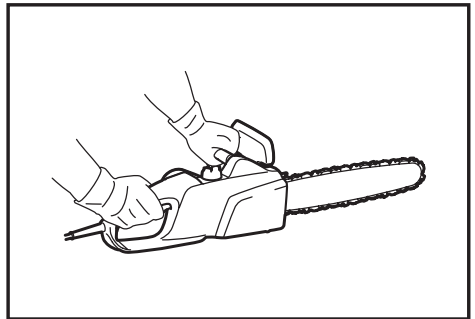
13. **Causes and operator prevention of kickback:** Kickback may occur when the nose or tip of the guide bar touches an object, or when the wood closes in and pinches the saw chain in the cut. Tip contact in some cases may cause a sudden reverse reaction, kicking the guide bar up and back towards the operator.

Pinching the saw chain along the top of the guide bar may push the guide bar rapidly back towards the operator.

Either of these reactions may cause you to lose control of the saw which could result in serious personal injury. Do not rely exclusively upon the safety devices built into your saw. As a chain saw user, you should take several steps to keep your cutting jobs free from accident or injury.

Kickback is the result of tool misuse and/or incorrect operating procedures or conditions and can be avoided by taking proper precautions as given below:

- **Maintain a firm grip, with thumbs and fingers encircling the chain saw handles, with both hands on the saw and position your body and arm to allow you to resist kickback forces.** Kickback forces can be controlled by the operator, if proper precautions are taken. Do not let go of the chain saw.



- **Do not overreach and do not cut above shoulder height.** This helps prevent unintended tip contact and enables better control of the chain saw in unexpected situations.
- **Only use replacement bars and chains specified by the manufacturer.** Incorrect replacement bars and chains may cause chain breakage and/or kickback.
- **Follow the manufacturer's sharpening and maintenance instructions for the saw chain.** Decreasing the depth gauge height can lead to increased kickback.

ADDITIONAL SAFETY RULES

1. Read the instruction manual in order to familiarize yourself with operation of the chain saw.

- Before using the chain saw for the first time, arrange to have instruction in its operation. If this is not possible, at least practice cutting round timber on a trestle before beginning work.
- The chain saw must not be used by children or young persons under 18 years of age. Young persons over 16 years of age may be exempted from this restriction if they are undergoing training under the supervision of an expert.
- Working with the chain saw requires a high level of concentration. Do not work with the saw if you are not feeling fit and well. Carry out all work calmly and carefully.
- Never work under the influence of alcohol, drugs or medication.

Proper use

- The chain saw is intended solely for cutting wood. Do not use it for example to cut plastic or porous concrete.
- Only use the chain saw for operations described in this instruction manual. Do **not**, for example, use it to trim hedges or for similar purposes.
- The chain saw must not be used for forestry work, i.e. for felling and limbing standing timber. The chain saw cable does not provide the operator with the mobility and safety required for such work.
- The chain saw is not intended for commercial use.
- Do not overload the chain saw.

Personal protective equipment

- Clothing must be close-fitting, but must not obstruct mobility.
- Wear the following protective clothing during work:
 - A tested safety helmet, if a hazard is presented by falling branches or similar;
 - A face mask or goggles;
 - Suitable ear protection (ear muffs, custom or mouldable ear plugs). Octave brand analysis upon request.
 - Firm leather safety gloves;
 - Long trousers manufactured from strong fabric;
 - Protective dungarees of cut-resistant fabric;
 - Safety shoes or boots with non-slip soles, steel toes, and cut-resistant fabric lining;
 - A breathing mask, when carrying out work which produces dust (e.g. sawing dry wood).

Protection against electric shock



The chain saw must not be used in wet weather or damp environments, as the electric motor is not waterproof.

- Only plug the saw into sockets in tested electrical circuits. Check that the system voltage matches that on the rating plate. Ensure that a 16 A line fuse is fitted. Saws used in the open air must be connected to a residual current-operated circuit-breaker with an operating current no higher than 30 mA.



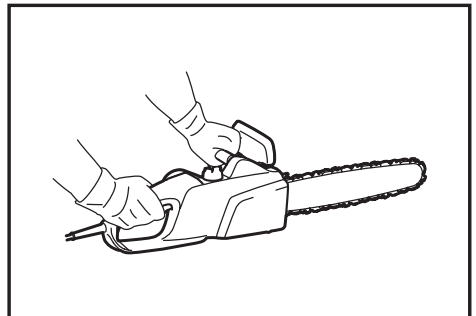
Should the connecting cable be damaged, withdraw the mains plug immediately.

Safe working practices

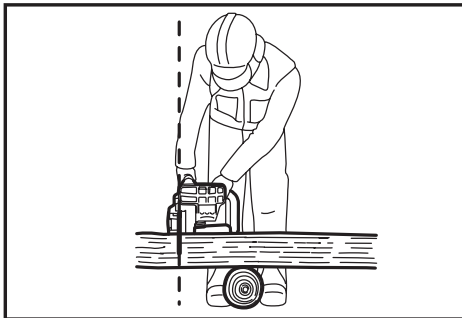
- Before starting work, check that the chain saw is in proper working order and that its condition complies with the safety regulations. Check in particular that:
 - The chain brake is working properly;
 - The run-down brake is working properly;
 - The bar and the sprocket cover are fitted correctly;
 - The chain has been sharpened and tensioned in accordance with the regulations;
 - The mains cable and mains plug are undamaged;

Refer to the "CHECKS" section.

- Always ensure in particular that the extension cable used is of adequate cross-section (see "SPECIFICATIONS"). When using a cable reel, wind the cable completely off the reel. When using the saw in the open air, ensure that the cable employed is intended for open-air use and is rated accordingly.
- Keep the cord away from the cutting area and to position cord so that it will not be caught on branches, and the like, during cutting.
- Do not operate the chain saw in the vicinity of flammable dust or gases, as the motor generates sparks and presents a **risk of explosion**.
- Work only on firm ground and with a good footing. Pay particular attention to obstacles (e.g. the cable) in the working area. Take particular care where moisture, ice, snow, freshly cut wood or bark may make surfaces slippery. Do not stand on ladders or trees when using the saw.
- Take particular care when working on sloping ground; rolling trunks and branches pose a potential hazard.
- Never cut above shoulder height.
- Hold the chain saw with both hands when switching it on and using it.** Hold the rear handle with your right hand and the front handle with your left. Hold the handles firmly with your thumbs. The bar and the chain must not be in contact with any objects when the saw is switched on.



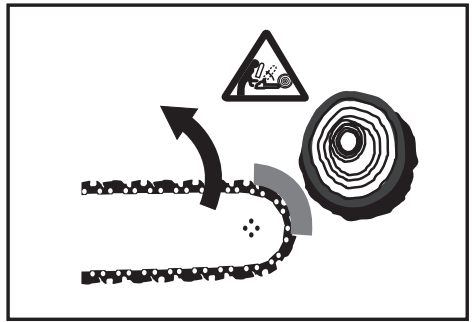
9. Clean the area to be cut of foreign objects such as sand, stones, nails, wire, etc. Foreign objects damage the bar and chain, and can lead to dangerous kickback.
10. Take particular care when cutting in the vicinity of wire fences. Do not cut into the fence, as the saw may kick back.
11. Do not cut into the ground.
12. Cut pieces of wood singly, not in bunches or stacks.
13. Avoid using the saw to cut thin branches and roots, as these can become entangled in the chain saw. Loss of balance presents a hazard.
14. Use a secure support (trestle) when cutting sawn timber.
15. Do not use the chain saw to prise off or brush away pieces of wood and other objects.
16. Guide the chain saw such that no part of your body is within the extended path of the saw chain (see figure).



17. When moving around between sawing operations, apply the chain brake in order to prevent the chain from being operated unintentionally. Hold the chain saw by the front handle when carrying it, and do not keep your finger on the switch.
18. Withdraw the mains plug when taking breaks or leaving the chain saw unattended. Leave the chain saw where it cannot present a hazard.

Kickback

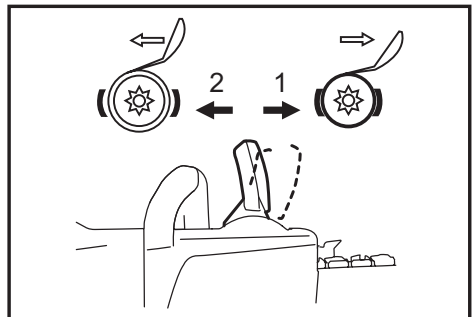
1. Hazardous kickback may arise during work with the chain saw. Kickback arises when the tip of the bar (in particular the upper quarter) comes into contact with wood or another solid object. This causes the chainsaw to be deflected in the direction of the operator.



2. In order to avoid kickback, observe the following:
 - Never begin the cut with the tip of the bar.
 - Never use the tip of the bar for cutting. Take particular care when resuming cuts which have already been started.
 - Start the cut with the chain running.
 - Always sharpen the chain correctly. In particular, set the depth gauge to the correct height.
 - Never saw through several branches at a time.
 - When limbing, take care to prevent the bar from coming into contact with other branches.
 - When bucking, keep clear of adjacent trunks. Always observe the bar tip.
 - Use a trestle.

Safety features

1. Always check that the safety features are in working order before starting work. Do not use the chain saw if the safety features are not working properly.
- **Chain brake:**
The chain saw is fitted with a chain brake which brings the saw chain to a standstill within a fraction of a second. It is activated when the hand guard is pushed forwards. The saw chain then stops within 0.15 s, and the power supply to the motor is interrupted.



1. Chain brake applied 2. Chain brake released

- **Run-down brake:**
The chain saw is equipped with an run down brake which brings the saw chain to an immediate stop when the ON/OFF switch is released. This prevents the saw chain from running on when switched off, and thus presenting a hazard.
- The **front and rear hand guards** protect the user against injury from pieces of wood which may be thrown backwards, or a broken saw chain.
- The **trigger lockout** prevents the chain saw from being switched on accidentally.
- The **chain catcher** protects the user against injury should the chain jump or break.

Transport and storage



When the chain saw is not in use or is being transported, withdraw the mains plug and fit the guide bar cover supplied with the saw. Never carry or transport the saw with the saw chain running.

1. Carry the chain saw by the front handle only, with the bar pointing backwards.
2. Keep the chain saw in a secure, dry and locked room out of the reach of children. Do not store the chain saw outdoors.

MAINTENANCE

1. Withdraw the plug from the socket before carrying out any adjustments or maintenance.
2. Check the power cable regularly for damage to the insulation.
3. Clean the chain saw regularly.
4. Have any damage to the plastic housing repaired properly and immediately.
5. Do not use the saw if the switch trigger is not working properly. Have it properly repaired.
6. Under no circumstances should any modifications be made to the chain saw. Your safety is at risk.
7. Do not carry out maintenance or repair work other than that described in this instruction manual. Any other work must be carried out by authorized service centers.

8. Only use genuine replacement parts and accessories intended for your model of saw. The use of other parts increases the risk of accident.
9. We accept no responsibility for accidents or damage should non-approved bars, saw chains or other replacement parts or accessories be used.

First aid



Do not work alone. Always work within shouting distance of a second person.

1. Always keep a first-aid box to hand. Replace any items taken from it immediately.
2. Should you request assistance in the event of an accident, state the following:
 - Where did the accident happen?
 - What happened?
 - How many persons are injured?
 - What injuries do they have?
 - Who is reporting the accident?

NOTE: Individuals with poor circulation who are exposed to excessive vibration may experience injury to blood vessels or the nervous system.

Vibration may cause the following symptoms to occur in the fingers, hands or wrists: "Falling asleep "(numbness), tingling, pain, stabbing sensation, alteration of skin colour or of the skin.

If any of these symptoms occur, see a physician!

SAVE THESE INSTRUCTIONS.

⚠WARNING: DO NOT let comfort or familiarity with product (gained from repeated use) replace strict adherence to safety rules for the subject product. MISUSE or failure to follow the safety rules stated in this instruction manual may cause serious personal injury.

DESIGNATION OF PARTS

► Fig.1

1	Rear handle	7	Saw chain	13	Spike bumper
2	Switch trigger	8	Lever	14	Lock-off button
3	Oil filler cap	9	Sprocket cover	15	Chain catcher
4	Front handle	10	Adjusting dial	16	Guide bar cover
5	Front hand guard	11	Rear hand guard	17	Cord hook
6	Guide bar	12	Oil level sight	18	Adjusting screw for oil pump (at the bottom)

ASSEMBLY

⚠ CAUTION:

- Always be sure that the tool is switched off and unplugged before carrying out any work on the tool.

Removing or installing saw chain

⚠ CAUTION:

- Always wear gloves when installing or removing the saw chain.

To remove the saw chain, perform the following steps:

1. Press and fully open the lever until it stops.
▶ **Fig.2:** 1. Lever 2. Sprocket cover
2. Turn the lever counterclockwise to loosen the sprocket cover until it comes off.
3. Turn the adjusting dial to "-" direction to release the saw chain tension.
▶ **Fig.3:** 1. Adjusting dial

4. Remove the sprocket cover.
5. Remove the saw chain and guide bar from the chain saw.

To install the saw chain, perform the following steps:

6. Make sure the direction of the chain. The arrow mark on the chain shows the direction of the chain.
▶ **Fig.4:** 1. Sprocket
7. Fit in one end of the saw chain on the top of the guide bar and the other end of it around the sprocket.
8. Rest the guide bar in place on the chain saw.
9. Align the tension slide with the hole of the guide bar.
▶ **Fig.5:** 1. Guide bar 2. Hole
10. Holding the guide bar, and turn the adjusting dial to "+" direction to adjust the saw chain tension.
11. Place the sprocket cover so that the hooks fit alongside the holes and the pin fits its counterpart on the sprocket cover.
▶ **Fig.6:** 1. Hook 2. Hole 3. Pin
12. Turn the lever clockwise to secure the sprocket cover.
▶ **Fig.7**

13. Press and return the lever to its original position.

Adjusting saw chain tension

The saw chain may become loose after many hours of use. From time to time check the saw chain tension before use.

1. Press and fully open the lever until it clicks. Turn it counterclockwise a little to loosen sprocket cover lightly.
▶ **Fig.8:** 1. Lever 2. Sprocket cover
2. Lift up the guide bar tip slightly.
▶ **Fig.9:** 1. Loosen 2. Tighten 3. Adjusting dial 4. Guide bar 5. Saw chain

3. Turn the adjusting dial to adjust the saw chain tension. Tighten the saw chain until the lower side of the saw chain fits in the guide bar rail (see circle).
4. Keep holding the guide bar lightly, tighten the sprocket cover after adjusting the chain tension. Make sure that the saw chain does not loose at lower side.
5. Press and return the lever to its original position.

▶ **Fig.10:** 1. Lever 2. Sprocket cover

Make sure the saw chain fits snugly against the lower side of the bar.

⚠ CAUTION:

- Do not tighten the saw chain too much. Excessively high tension of saw chain may cause breakage of saw chain, wear of the guide bar and breakage of the adjusting dial.
- A chain which is too loose can jump off the bar, and therefore presents an accident risk.
- Carry out the procedure of installing or removing saw chain in a clean place free from sawdust and the like.

Engaging extension cord

⚠ CAUTION:

- Make sure that the extension cord is unplugged to the mains outlet.

▶ **Fig.11:** 1. Cord hook 2. Tool's cord 3. Extension cord 4. Plug and socket (the shape may differ from country to country)

When engaging the extension cord, secure it to the chain saw's cord with the cord hook.

Attach the cord hook about 100 - 200 mm from the extension cord connector. This helps prevent unintentional disconnection.

OPERATION

Switch action

▶ **Fig.12:** 1. Lock-off button 2. Switch trigger

⚠ CAUTION:

- Always be sure that the tool is switched off and unplugged before checking function on the switch trigger.
- Before plugging in the tool, always check to see that the switch trigger actuates properly and returns to the "OFF" position when released.

▶ **Fig.13**

NOTE:

- Do not turn on and off too often within a short time (five seconds or less). The temperature inside the tool will rise and may cause the tool damage. The time varies by atmosphere temperature and other conditions.

To prevent the switch trigger from being accidentally pulled, a lock-off button is provided.

To start the tool, depress the lock-off button and pull the switch trigger. Release the switch trigger to stop.

Lubrication

⚠ CAUTION:

- Always be sure that the tool is switched off and unplugged before lubricating the saw chain.

► Fig.14

Lubricate the saw chain and bar using biologically degradable saw chain oil with an adhesion agent. The adhesion agent in the saw chain oil prevents the oil from being thrown off the saw excessively quickly. Mineral oils must not be used, as they are harmful to the environment.

⚠ CAUTION:

- Prevent the oil from coming into contact with the skin and eyes. Contact with the eyes causes irritation. In the event of eye contact, flush the affected eye immediately with clear water, then consult a doctor at once.
- Never use waste oil. Waste oil contains carcinogenic substances. The contaminants in waste oil cause accelerated wear of the oil pump, the bar and the chain. Waste oil is harmful to the environment.
- When filling the chain saw with chain oil for the first time, or refilling the tank after it has been completely emptied, add oil up to the bottom edge of the filler neck. The oil delivery may otherwise be impaired.

► Fig.15: 1. Oil filler cap 2. Strap

To fill the oil, perform the following steps:

1. Clean the area around the oil filler cap thoroughly to prevent any dirt from entering the oil tank.
2. Unscrew the oil filler cap and add oil up to the lower edge of the filler neck.
3. Screw the oil filler cap firmly back in place.
4. Wipe away any spilt chain oil carefully.

NOTE:

- When the chain saw is used for the first time, it may take up to two minutes for the saw chain oil to begin its lubricating effect upon the saw mechanism. Run the saw without load until it does so (see "CHECKS").

CHECKS

Before starting work, carry out the following checks:

Checking the chain tension

⚠ WARNING:

- Always withdraw the mains plug before checking the chain tension, and wear safety gloves.

► Fig.16: 1. Loosen 2. Tighten 3. Adjusting dial 4. Guide bar 5. Saw chain

Make sure the saw chain fits snugly against the lower side of the bar (see circle).

Check the chain tension frequently, as new chains are subject to elongation.

Excessively high tension of saw chain may cause breakage of saw chain, wear of the guide bar and breakage of the adjusting dial.

A chain which is too loose can jump off the bar, and therefore presents an accident risk.

If the chain is too loose: Refer to the section titled "Adjusting saw chain tension" and adjust the saw chain tension again.

Checking the switch action

⚠ CAUTION: Before plugging in the tool, always check to see that the switch trigger actuates properly and returns to the "OFF" position when released.

To prevent the switch trigger from being accidentally pulled, a lock-off button is provided.

To start the tool, depress the lock-off button and pull the switch trigger. Release the switch trigger to stop.

Do not pull the switch trigger hard without depressing the lock-off button. This may cause switch breakage.

Checking the chain brake

NOTE:

- If the chain saw fails to start, check whether the chain brake is released. To release the chain brake, pull the hand guard backwards firmly until you feel it engage.

► Fig.17: 1. Front hand guard 2. Lock 3. Unlock

► Fig.18: 1. Front hand guard 2. Lock 3. Unlock

Check the chain brake as follows:

1. Hold the chain saw with both hands when switching it on. Hold the rear handle with your right hand, the front handle with your left. Make sure that the bar and the chain do not contact with any object.
2. First press the lock-off button, then the switch trigger. The saw chain starts immediately.
3. Press the front hand guard forwards using the back of your hand. Make sure that the saw chain comes to an immediate standstill.

⚠ CAUTION:

- If the saw chain does not stop immediately, do not use the saw under any circumstances. Consult Makita authorized service centers.

Checking the run-down brake

Switch on the chain saw.

Release the switch trigger completely. Make sure the saw chain comes to a standstill within a second.

⚠ CAUTION:

- If the saw chain does not stop immediately, do not use the saw under any circumstances. Consult Makita authorized service centers.

Checking the chain oiler

Before starting work, check the oil level in the tank, and the oil delivery.

The oil level can be seen in the oil level sight shown in the figure.

► Fig.19: 1. Oil level sight

Check the oil delivery as follows:

Start the chain saw.

With the saw running, hold the saw chain approximately 15 cm above a tree trunk or the ground. If lubrication is adequate, the oil spray will produce a light oil trace.

Observe the wind direction, and do not expose yourself to the oil spray unnecessarily.

⚠ CAUTION:

- If an oil trace is not formed, do not use the saw. The lifespan of the chain will otherwise be reduced. Check the oil level. Clean the oil feed groove and the oil feed hole in the bar (refer to "MAINTENANCE").

Adjusting the chain lubrication

► **Fig.20**

You can adjust the oil pump feed rate with the adjusting screw.

⚠ CAUTION:

- Always use a front handle and rear handle and firmly hold the tool by both front handle and rear handle during operations.
- Always secure the timber to be cut, otherwise the cut fragments may cause personal injury.

WORKING WITH THE CHAIN SAW

Bucking

► **Fig.21: 1.** Spike bumper

For bucking cuts, rest the spike bumper shown in the figure on the wood to be cut.

With the saw chain running, saw into the wood, using the rear handle to raise the saw and the front one to guide it. Use the spike bumper as a pivot. Continue the cut by applying slight pressure to the front handle, easing the saw back slightly. Move the spike bumper further down the timber and raise the front handle again.

When making several cuts, switch the chain saw off between cuts.

⚠ CAUTION:

- If the upper edge of the bar is used for cutting, the chain saw may be deflected in your direction if the chain becomes trapped. For this reason, cut with the lower edge, so that the saw will be deflected away from your body.

► **Fig.22**

Cut wood under tension on the pressure side (A) first. Then make the final cut on the tension side (B). This prevents the bar from becoming trapped.

► **Fig.23**

Limbing

⚠ CAUTION:

- Limbing may only be performed by trained persons. A hazard is presented by the risk of kick-back.

When limbing, support the chain saw on the trunk if possible. Do not cut with the tip of the bar, as this presents a risk of kickback.

Pay particular attention to branches under tension. Do not cut unsupported branches from below.

Do not stand on the felled trunk when limbing.

Burrowing and parallel-to-grain cuts

⚠ CAUTION:

- Burrowing and parallel-to-grain cuts may only be carried out by persons with special training. The possibility of kickback presents a risk of injury.

► **Fig.24**

Perform parallel-to-grain cuts at as shallow an angle as possible. Carry out the cut as carefully as possible, as the spike bumper cannot be used.

Felling

⚠ CAUTION:

- Felling work may only be performed by trained persons. The work is hazardous.

Observe local regulations if you wish to fell a tree.

— Before starting felling work, ensure that:

- (1) Only persons involved in the felling operation are in the vicinity;
- (2) Any person involved has an unhindered path of retreat through a range of approximately 45° either side of the felling axis. Consider the additional risk of tripping over electrical cables;
- (3) The base of the trunk is free of foreign objects, roots and ranches;
- (4) No persons or objects are present over a distance of 2 1/2 tree lengths in the direction in which the tree will fall.

► **Fig.25: 1.** Felling area

— Consider the following with respect to each tree:

- Direction of lean;
- Loose or dry branches;
- Height of the tree;
- Natural overhang;
- Whether or not the tree is rotten.

— Consider the wind speed and direction. Do not carry out felling work if the wind is gusting strongly.

— Trimming of root swellings: Begin with the largest swellings. Make the vertical cut first, then the horizontal cut.

— Cut a scarf: The scarf determines the direction in which the tree will fall, and guides it. It is made on the side towards which the tree is to fall. Cut the scarf as close to the ground as possible. First make the horizontal cut to a depth of 1/5 - 1/3 of the trunk diameter. Do not make the scarf too large. Then make the diagonal cut.

► **Fig.26**

— Cut any corrections to the scarf across its entire width.

- Make the back cut a little higher than the base cut of the scarf. The back cut must be exactly horizontal. Leave approximately 1/10 of the trunk diameter between the back cut and the scarf. The wood fibers in the uncut trunk portion act as a hinge. Do not cut right through the fibers under any circumstances, as the tree will otherwise fall unchecked. Insert wedges into the back cut in time.

► **Fig.27**

- Only plastic or aluminum wedges may be used to keep the back cut open. The use of iron wedges is prohibited.
- Stand to the side of the falling tree. Keep an area clear to the rear of the falling tree up to an angle of 45 ° either side of the tree axis (refer to the “ felling area ” figure). Pay attention to falling branches.
- An escape path should be planned and cleared as necessary before cuts are started. The escape path should extend back and diagonally to the rear of the expected line of fall as illustrated in figure.

► **Fig.28:** 1. Felling direction 2. Danger zone 3. Escape route

MAINTENANCE

⚠ CAUTION:

- Always be sure that the tool is switched off and unplugged before attempting to perform inspection or maintenance.
- Always wear gloves when performing any inspection or maintenance.
- Never use gasoline, benzene, thinner, alcohol or the like. Discoloration, deformation or cracks may result.

Carry out the maintenance work described below at regular intervals. Warranty claims will be accepted only if these operations have been performed regularly and properly.

Only maintenance work described in this instruction manual may be performed by the user. Any other work must be carried out by MAKITA authorized service centers.

Cleaning the chain saw

Clean the saw regularly with a clean rag. The handles, in particular, must be kept free of oil.

Checking the plastic housing

Carry out regular visual inspections of all parts of the housing. If any parts are damaged, have them repaired immediately and properly in MAKITA authorized service centers.

Sharpening the saw chain

⚠ CAUTION:

- Always withdraw the mains plug and wear safety gloves when performing work on the saw chain.

► **Fig.29**

Sharpen the saw chain when:

- Mealy sawdust is produced when damp wood is cut;
- The chain penetrates the wood with difficulty, even when heavy pressure is applied;
- The cutting edge is obviously damaged;
- The saw pulls to the left or right in the wood. The reason for this behavior is uneven sharpening of the saw chain, or damage to one side only.

Sharpen the saw chain frequently, but remove only a little material each time.

Two or three strokes with a file are usually sufficient for routine resharpening. When the saw chain has been resharpened several times, have it sharpened in MAKITA authorized service center.

Sharpening criteria:

- All cutter length must be equal. Cutters of differing length prevent the chain from running smoothly, and may cause the chain to break.
 - Do not sharpen the chain once a minimum cutter length of 3 mm has been reached. A new chain must then be fitted.
 - The chip thickness is determined by the distance between the depth gauge (round nose) and the cutting edge.
 - The best cutting results are obtained with following distance between cutting edge and depth gauge.
Chain blade 90PX: 0.5 mm
Chain blade 91PX: 0.65 mm
- **Fig.30:** 1. Cutter length 2. Distance between cutting edge and depth gauge 3. Minimum 3 mm

⚠ WARNING:

- An excessive distance increases the risk of kick-back.
- The sharpening angle of 30 ° must be the same on all cutters. Differences in angle cause the chain to run roughly and unevenly, accelerate wear, and lead to chain breaks.
 - The side plate angle of the cutter is determined by the depth of penetration of the round file. If the specified file is used properly, the correct side plate angle is produced automatically.
 - Side plate angle for each saw chain are as follows:
Chain blade 90PX: 75 °
Chain blade 91PX: 80 °
- **Fig.31:** 1. Side plate angle

File and file guiding

- Use a special round file (optional accessory) for saw chains to sharpen the chain. Normal round files are not suitable.
- Diameter of the round file for each saw chain is as follows:
 - Chain blade 90PX: 4.5 mm
 - Chain blade 91PX: 4.0 mm
- The file should only engage the cutter on the forward stroke. Lift the file off the cutter on the return stroke.
- Sharpen the shortest cutter first. Then the length of this shortest cutter becomes the standard for all other cutters on the saw chain.

► Fig.32

- Guide the file as shown in the figure.
- The file can be guided more easily if a file holder (optional accessory) is employed. The file holder has markings for the correct sharpening angle of 30° (align the markings parallel to the saw chain) and limits the depth of penetration (to 4/5 of the file diameter).

► Fig.33

- After sharpening the chain, check the height of the depth gauge using the chain gauge tool (optional accessory).
- ### ► Fig.34
- Remove any projecting material, however small, with a special flat file (optional accessory).
 - Round off the front of the depth gauge again.

Cleaning the guide bar and lubricating the return sprocket

▲ CAUTION:

- Always wear safety gloves for this task. Burrs present a risk of injury.

► Fig.35

Check the running surfaces of the bar regularly for damage. Clean using a suitable tool, and remove burrs if necessary.

If the chain saw receives frequent use, lubricate the return sprocket bearing at least once a week. Before adding new fresh grease, carefully clean the 2 mm hole on the tip of the guide bar, then force a small quantity of multi-purpose grease (optional accessory) into the hole.

Cleaning the oil guide

► Fig.36: 1. Oil guide groove 2. Oil feed hole

- Clean the oil guide groove and the oil feed hole in the bar at regular intervals.

New saw chains

Use two or three saw chains alternately, so that the saw chain, sprocket and running surfaces of the bar wear evenly.

Turn the bar over when changing the chain so that the bar groove wears evenly.

▲ CAUTION:

- Only use chains and bars which are approved for this model of saw (refer to "SPECIFICATIONS").

► Fig.37: 1. Sprocket

Before fitting a new saw chain, check the condition of the sprocket.

▲ CAUTION:

- A worn sprocket damages a new saw chain. Have the sprocket replaced in this case.

Always fit a new locking ring when replacing the sprocket.

Maintaining the chain and run-down brakes

The braking systems are very important safety features. Like any other component of the chain saw, they are subject to a certain degree of wear. They must be inspected regularly by MAKITA authorized service centers. This measure is for your own safety.

Storing tool

Biologically degradable saw chain oil can only be kept for a limited period. Beyond two years after manufacture, biological oils begin to acquire an adhesive quality, and cause damage to the oil pump and components in the lubricating system.

- Before taking the chain saw out of service for a longer period, empty the oil tank and fill it with a small quantity of engine oil (SAE 30).
- Run the chain saw briefly to flush all residue of the biological oil out of the tank, lubricating system and saw mechanism.

NOTE:

- When the chain saw is taken out of service, small quantities of chain oil leaks from it for some time afterwards. This is normal, and is not a sign of a fault.

Store the chain saw on a suitable surface.

Before returning the chain saw to service, fill up with fresh BIOTOP saw chain oil.

To maintain product SAFETY and RELIABILITY, repairs, carbon brush inspection and replacement, any other maintenance or adjustment should be performed by Makita Authorized Service Centers, always using Makita replacement parts.

TROUBLE SHOOTING

Before asking for repairs, conduct your own inspection first. If you find a problem that is not explained in the manual, do not attempt to dismantle the tool. Instead, ask Makita Authorized Service Centers.

Malfunction status	Possible cause	Remedy
The chain saw does not start.	No power supply.	Connect to the power supply. Check the power supply.
	Cable defective.	Stop using the tool immediately, and ask your local authorized service center.
	Tool malfunction.	Stop using the tool immediately, and ask your local authorized service center.
Chain does not run.	Chain brake is engaged.	Release chain brake.
Insufficient performance.	Carbon brush worn down.	Ask your local authorized service center for repair.
No oil on the chain.	Oil tank is empty.	Fill the oil tank.
	Oil guide groove is dirty.	Clean the groove.
	Oil pump adjusting screw incorrectly adjusted.	Adjust the oil pump feed rate.
Chain does not stop even the chain brake is engaged.	Brake band worn down.	Stop using the tool immediately, and ask your local authorized service center.
The tool vibrates abnormally.	Loose guide bar or saw chain.	Adjust the guide bar and saw chain tension.
	Tool malfunction.	Stop using the tool immediately, and ask your local authorized service center.

OPTIONAL ACCESSORIES

⚠ CAUTION:

- These accessories or attachments are recommended for use with your Makita tool specified in this manual. The use of any other accessories or attachments might present a risk of injury to persons. Only use accessory or attachment for its stated purpose.

- File holder with 4.5 mm file
- File handle
- Saw chain oil
- Multi-purpose grease
- Grease gun

NOTE:

- Some items in the list may be included in the tool package as standard accessories. They may differ from country to country.

If you need any assistance for more details regarding these accessories, ask your local Makita Service Center.

- Saw chain
- Guide bar cover
- Guide bar
- Chain gauge
- Round file 4.0 mm
- Round file 4.5 mm
- Flat file
- File holder with 4.0 mm file

规格








型号		UC3041A		UC3541A		UC4041A	
最大链锯速度		14.5 m/s (870 m/min)					
标准型导板	导板长度	300 mm		350 mm		400 mm	
	切割长度	265 mm		325 mm		360 mm	
	导板类型	链轮头导板					
标准型锯链	类型	90PX	91PX	90PX	91PX	90PX	91PX
	齿距	3/8"					
	驱动链节数	46		52		56	
建议导板长度		300 - 400 mm					
长度 (不含导板)		455 mm					
净重		4.6 kg		4.7 kg		4.7 kg	
延长线 (选购)		DIN 57282/HO 7RN -F L=30 m 最大值, 3x1.5 mm ²					

- 由于研发计划将持续进行, 生产者保留变更规格不另行通知之权利。
- 规格可能因销往国家之不同而异。
- 重量符合EPTA-Procedure 01/2003

符号

以下显示本设备使用的符号。在使用工具之前请务必理解其含义。

	阅读使用说明书并遵守警告和安全注意事项。
	请佩戴护目镜。
	请佩戴耳罩。
	双重绝缘
	小心: 需要特别小心和注意!
	小心: 若线缆损坏, 请立即拔出电源插头!
	小心: 防止反弹!
	防雨防潮!
	佩戴头盔、护目镜和耳罩!
	佩戴安全手套!

	拔出电源插头!
	急救
	可允许的最大切割长度
	链条移动方向
	链条油
	链条闸处于释放状态
	链条闸处于启用状态
	禁止!
	仅限于欧盟国家 请勿将电气设备与家庭垃圾一同丢弃! 请务必遵守欧洲关于废弃电子电气设备的指令, 根据各国法律法规执行。达到使用寿命的电气设备必须分类回收至符合环境保护规定的废品循环站。

用途

本工具用于切割木材和原木。

电源

本工具只可连接电压与铭牌所示电压相同的电源，且仅可使用单相交流电源。本工具双重绝缘，因此也可用于不带接地线的插座。

电动工具通用安全警告

警告！阅读所有警告和所有说明。不遵照以下警告和说明会导致电击、着火和/或严重伤害。

保存所有警告和说明书以备查阅。

在所有下列的警告中术语“电动工具”指市电驱动（有线）电动工具或电池驱动（无线）电动工具。

工作场地的安全

1. 保持工作场地清洁和明亮。混乱和黑暗的场地会引发事故。
2. 不要在易爆环境，如有易燃液体、气体或粉尘的环境下操作电动工具。电动工具产生的火花会点燃粉尘或气体。
3. 让儿童和旁观者离开后操作电动工具。注意力不集中会使操作者失去对工具的控制。

电气安全

4. 电动工具插头必须与插座相配。绝不能以任何方式改装插头。需接地的电动工具不能使用任何转换插头。未经改装的插头和相配的插座将减少电击危险。
5. 避免人体接触接地表面，如管道、散热片和冰箱。如果你身体接地会增加电击危险。
6. 不得将电动工具暴露在雨中或潮湿环境中。水进入电动工具将增加电击危险。
7. 不得滥用电线。绝不能用电线搬运、拉动电动工具或拔出其插头。使电线远离热源、油、锐边或运动部件。受损或缠绕的软线会增加电击危险。
8. 当在户外使用电动工具时，使用适合户外使用的外接软线。适合户外使用的软线将减少电击危险。
9. 如果在潮湿环境下操作电动工具是不可避免的，应使用剩余电流动作保护器（RCD）。使用RCD可减小电击危险。
10. 始终建议通过额定剩余电流为30mA或以下的RCD来使用电源。

人身安全

11. 保持警觉，当操作电动工具时关注所从事的操作并保持清醒。当你感到疲倦，或在有药物、酒精或治疗反应时，不要操作电动工具。在操作电动工具时瞬间的疏忽会导致严重人身伤害。
 12. 使用个人防护装置。始终佩戴护目镜。安全装置，诸如适当条件下使用防尘面具、防滑安全鞋、安全帽、听力防护等装置能减少人身伤害。
 13. 防止意外启动。确保开关在连接电源和/或电池盒、拿起或搬运工具时处于关断位置。手指放在已接通电源的开关上或开关处于接通时插入插头可能会导致危险。
 14. 在电动工具接通之前，拿掉所有调节钥匙或扳手。遗留在电动工具旋转零件上的扳手或钥匙会导致人身伤害。
 15. 手不要伸展得太长。时刻注意立足点和身体平衡。这样在意外情况下能很好地控制电动工具。
 16. 着装适当。不要穿宽松衣服或佩戴饰品。让衣服、手套和头发远离运动部件。宽松衣服、配饰或长发可能会卷入运动部件中。
 17. 如果提供了与排屑、集尘设备连接的装置，要确保他们连接完好且使用得当。使用这些装置可减少尘屑引起的危险。
- ### 电动工具使用和注意事项
18. 不要滥用电动工具，根据用途使用适当的电动工具。选用适当设计的电动工具会使你工作更有效、更安全。
 19. 如果开关不能接通或关断工具电源，则不能使用该电动工具。不能用开关来控制电动工具是危险的且必须进行修理。
 20. 在进行任何调节、更换附件或贮存电动工具之前，必须从电源上拔掉插头和/或使电池盒与工具脱开。这种防护性措施将减少工具意外起动的危险。
 21. 将闲置不用的电动工具贮存在儿童所及范围之外，并且不要让不熟悉电动工具或对这些说明不了解的人操作电动工具。电动工具在未经培训的用户手中是危险的。
 22. 保养电动工具。检查运动件是否调整到位或卡住，检查零件破损情况和影响电动工具运行的其他状况。如有损坏，电动工具应在使用前修理好。许多事故由维护不良的电动工具引发。

23. 保持切削刀具锋利和清洁。保持良好的有锋利切削刃的刀具不易卡住而且容易控制。
24. 按照使用说明书，考虑作业条件和进行的作业来使用电动工具、附件和工具的头刀等。将电动工具用于那些与其用途不符的操作可能会导致危险。

维修

25. 将你的电动工具送交专业维修人员，使用同样的备件进行修理。这样将确保所维修的电动工具的安全性。
26. 上润滑油及更换附件时请遵循本说明书指示。
27. 手柄务必保持干燥、清洁、无油（脂）。

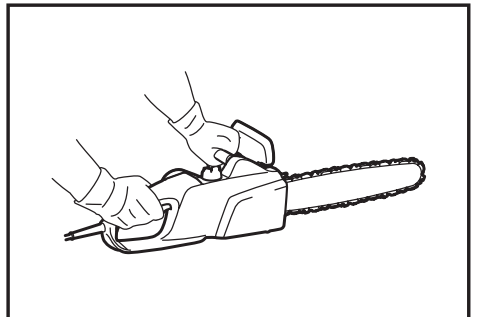
链锯使用安全警告

1. 当链锯处于工作状态时，身体各部位应与锯链保持一定距离。启动链锯之前，请确保锯链未与任何物体相接触。在操作链锯期间，即使片刻分心也可能会导致衣物或身体被锯链卷入。
2. 请务必用右手握住链锯的后把手，用左手握住链锯的前把手。颠倒双手抓握链锯会增加人身伤害的危险，因此切勿用左手抓握后把手，用右手抓握前把手。
3. 由于锯链可能会接触到隐藏的电线或自身电线，因此操作电动工具时仅可抓握绝缘把手表面。锯链接触到“带电”的电线时，工具上曝露的金属部分可能也会“带电”，并使操作者触电。
4. 请佩戴安全眼镜和护耳装置。建议进一步佩戴防护装置以保护头部、双手、腿和足等。充分穿着防护服会降低因飞溅碎片或意外触及锯链所造成的人身伤害。
5. 请勿在树上操作链锯。在树上操作链锯可能会造成人身伤害。
6. 务必确保立足稳固，操作链锯时须站立在固定、安全和水平的表面上。打滑或不稳固的表面，如梯子等，可能会导致身体失去平衡或链锯失控。
7. 当切割处于张紧状态下的树枝时，请警惕发生反弹。当释放木材纤维上的张力时，树枝上的弹力可能会冲击操作者和/或导致链锯失控。
8. 切割灌木及幼树时，请特别小心。细长的材料可能会卡住锯链并打到自身或导致自身失衡。

9. 携带链锯前须关闭链锯并握紧前把手，使其与身体保持一定距离。当运输或存储链锯时，请务必盖板上导板护盖。妥当操作链锯会降低意外接触运转中的锯链的可能性。
10. 根据说明进行润滑、张紧链条和更换附件。不当地张紧或润滑链条可能会导致链条破裂或增加反弹的可能性。
11. 保持把手干燥、清洁，无油污和润滑脂。油腻的把手容易发生打滑，导致工具失控。
12. 仅用于切割木材。请勿将链锯用于设计用途以外的用途。例如：请勿将链锯用于切割塑料、石料或非木质建筑材料。将链锯用于设计用途以外的操作时将导致危险情况发生。

13. 工具反弹的原因和操作者的预防措施：进行切割时，如果导板头部触及物体或木材夹住和挤压锯链，则可能会导致反弹发生。有时，导板头部触及物体会形成突然的反作用力，从而弹起导板并冲向操作者。沿导板上部挤压锯链可能会将导板快速推回至操作者。这些反作用力的任何一种均有可能导致链锯失控并造成严重的人身伤害。请勿完全依赖装配在链锯上的安全设备。作为链锯用户，您应当采取多种措施来防止切割作业时发生意外或人身伤害。工具误操作和/或不正确的操作步骤或操作条件将导致反弹，遵守以下所述的注意事项可避免这些情况：

- 保持牢固抓握，用双手拇指和其余手指握紧链锯把手，调整身体和手臂位置以防止反弹力。如果遵守正确的注意事项，操作者可以控制反弹力。请勿离手放置链锯。



- 请勿将工具伸得过远且不要在高于肩部处进行切割。这样有助于防止导板头部触及物体，并在意外情况下可较好地控制链锯。
- 请仅使用制造商指定的替换导板和链条。使用不合适的替换导板和链条可能会导致链条断裂和/或反弹。
- 请遵循制造商的打磨和保养说明对锯链进行保养。降低深度规高度会导致反弹频繁发生。

- 呼吸面罩 - 在执行有粉尘产生的工作时（例如切割干燥木料）使用。

补充安全规则

1. 阅读使用说明书，以便熟悉链锯操作。
2. 在首次使用链锯之前，应安排人员进行操作指导。若条件不允许，应至少在台架上练习切割圆形木材。
3. 儿童或不满18岁的青少年不得使用链锯。超过16岁的青少年如果在专业人士的监督下接受过培训，则不受该限制。
4. 使用链锯时，注意力必须高度集中。如感觉身体不适，请勿使用链锯。镇定、谨慎地完成所有工作。
5. 切勿在服用酒精、药物或者接受治疗的情况下操作。

正确用法

1. 本链锯只能用于切割木材。请勿用于其他用途，例如切割塑料或多孔混凝土。
2. 只能使用此链锯来执行此使用说明书中所述的操作。请勿使用其修剪树篱或用于其他的类似操作。
3. 此链锯不得用于林业作业，例如采伐和切断活立木。原因是链锯电缆会妨碍操作员移动，难以保证其安全。
4. 链锯不能用于商业用途。
5. 请勿过载使用链锯。

个人防护设备

1. 着装必须贴身但不得妨碍移动。
2. 工作期间请穿戴以下防护装备：
 - 经过测试的安全头盔，以避免掉落树枝或类似物体引发的危险；
 - 面罩或护目镜；
 - 合适的耳罩（耳罩、定制或模制耳塞）。根据要求进行倍频带分析。
 - 结实的皮革安全手套；
 - 高强度纤维制成的长裤；
 - 防切割纤维制成的防护工作服；
 - 带防滑鞋底、钢趾罩和防切割纤维内衬的安全鞋或安全靴；

防止触电



由于电机不具有防水性，因此不得在潮湿的天气或潮湿的环境下使用链锯。

1. 只能将链锯插入经过测试的电路插座中。检查系统电压是否与铭牌上的电压匹配。确保安装16 A电路保险丝。在户外使用链锯时，必须将链锯连接至工作电流不高于30 mA的剩余电流动作断路器。

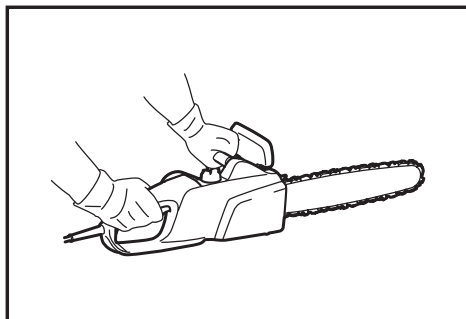


若连接电缆损坏，请立即拔出电源插头。

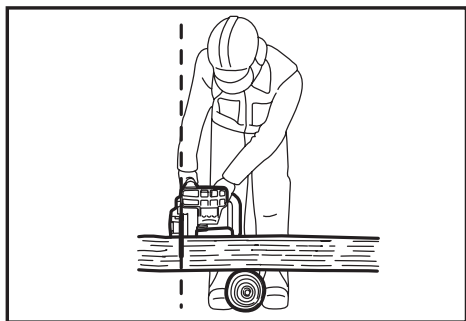
安全工作规则

1. 开始作业之前，请检查并确保链锯可以正常工作并且其状态符合安全规范。请着重检查：
 - 链条闸可以正常工作；
 - 跳动闸可以正常工作；
 - 导板和链轮护罩相互配合良好；
 - 根据规范已对链条进行磨利和张紧；
 - 电源电缆和电源插头未损坏；
 参见“检查”章节。
2. 应始终确保所使用的延长线截面面积充足（参见“规格”）。使用电缆卷轴时，请将卷轴上的电缆完全解开。在户外使用链锯时，请务必使用户外专用的、额定值符合要求的电缆。
3. 切割过程中，确保导线远离切割区域，同时避免其卡入树枝及类似物体内部。
4. 请勿在易燃粉尘或气体附近操作链锯，否则电机产生火花可能会引起爆炸。
5. 只能在结构坚实、立足稳固的地面上作业。作业时，请特别注意工作区域内的物体（例如电缆）。湿气、冰、雪、新切割的木材或树皮都可能导致地面打滑，必须特别小心。请勿站立于梯子或树上操作链锯。
6. 在斜坡上作业时应特别小心；滚动的树干和树枝容易引发潜在危险。
7. 切勿在肩部高度以上进行切割。

8. 打开链锯开关和使用时，请双手紧握链锯进行操作。请用右手握住后把手，左手握住前把手。用拇指握紧把手。打开链锯时，请勿使导板和链条接触任何物体。



9. 清除待切割区域内的异物，例如沙子、砾石、钉子、电线等。异物会损坏导板和链条，甚至可能引发危险反弹。
10. 在铁丝网附近切割时要特别小心。请勿切入铁丝网内，否则可能导致链锯反弹。
11. 切勿切入地面。
12. 不要成捆打包或堆放木材，而应将木材单独切割成木片。
13. 避免使用链锯切割细枝和细根，否则细枝和细根可能缠绕在链锯内。进而导致身体失去平衡，可能会引发危险。
14. 当切割成型木材时，请使用安全支撑（台架）。
15. 请勿使用链锯撬除或刷除木片和其他异物。
16. 正确引导链锯，避免身体的任何部位置于锯链延伸路径以内（参见图示）。

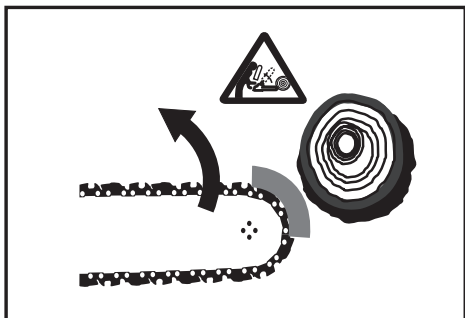


17. 当在切锯操作间来回移动时，应使用链条闸以防止链条意外启动。搬运链锯时握住链锯前把手，同时避免将手指放置于开关上。

18. 休息时或无人看管链锯时，请拔下电源插头。将链锯置于不会造成危险的区域。

反弹

1. 使用链锯进行作业期间可能会引发危险反弹。当导板尖端（特别是上部四分之一区域）接触木材或其他坚硬物体时可能引起反弹。由此可能导致链锯向操作员方向偏斜。



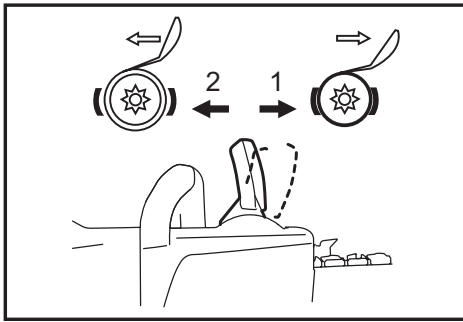
2. 为避免反弹，请遵守以下注意事项：
 - 切勿从导板尖端处开始切割。
 - 切勿使用导板尖端进行切割。当继续执行已开始的切割操作时，应特别小心。
 - 在链条运转后再开始切割。
 - 始终正确打磨链条。特别是应将深度规置于正确高度。
 - 切勿一次性切锯多个树枝。
 - 在进行修剪作业时，应注意避免导板接触其他树枝。
 - 当进行造材作业时，应避开临近的树干。始终注意导板尖端。
 - 使用台架。

安全功能

1. 开始工作之前，请始终检查安全功能是否正常。若安全功能异常，请勿使用链锯。

— 链条闸：

链锯配备有链条闸，能够瞬间使锯链静止。向前推动护手罩即可启动链条闸。随后锯链会在0.15s内停止转动，同时电机电源将中断。



1. 链条闸处于启用状态 2. 链条闸处于释放状态

— 跳动闸：

此链锯配备有跳动闸，当释放ON/OFF（开/关）开关时，跳动闸可以使锯链立即停止运转。这样可以防止锯链关闭后自行启动，避免引发危险。

— **前部和后部护手罩** 用于避免用户因木片向后弹射或锯链损坏而受伤。

— **锁闭扳机**以防止链锯意外开启。

— **挡链块**用于避免用户因链条跳链或断链而受伤。

运输和存放



当链锯闲置或需要运输时，请拔出电源插头，然后安装随链锯附送的导板护盖。切勿在锯链运转的情况下移动或搬运链锯。

1. 搬运链锯时请抓握前把手，同时导板朝向后。
2. 请将链锯保存在安全、干燥、儿童接触不到的加锁房间内。请勿将链锯存放于户外。

保养

1. 在执行任何调节或保养操作之前，请将插头从插座上拔出。
2. 定期检查电源电缆的绝缘体有无损坏。
3. 定期清洁链锯。
4. 若塑料壳体有任何损坏，应立即予以正确维修。
5. 若开关扳机功能异常，请勿使用链锯。请进行正确维修。
6. 任何情况下均不得对链锯做任何改装。否则可能危及您的自身安全。

7. 请勿执行除使用说明书中所述的维护或维修工作以外的其他工作。其他工作必须交由授权的服务中心执行。
8. 只能使用与您链锯型号匹配的原厂正品替换部件和附件。使用其他部件会增加事故风险。
9. 对于因使用未经认可的导板、锯链或其他替换部件或附件所引发事故或损坏，我们概不承担任何责任。

急救



请勿独自作业。请始终在距离他人不远处进行工作。

1. 请随身携带急救箱。医用物品使用后应立即补充。
2. 当遭遇事故需要帮助时，请陈述以下事项：
 - 事故发生在何处？
 - 事故的具体情况？
 - 受伤人员数量？
 - 人员受到何种伤害？
 - 报告事故的人员？

注： 血液循环功能较差的人员暴露于过大的振动时可能会导致血管或神经系统受损。

振动可能会导致手指、手掌或手腕产生以下症状：“无知觉”（麻木）、刺痛、疼痛、刺痛感、皮肤或皮肤颜色发生变化。

如果出现以上任何一种症状，请就医！

请保留此说明书。

警告： 请勿为图方便或因对产品足够熟悉（由于重复使用而获得的经验）而不严格遵循相关产品安全规则。使用不当或不遵循使用说明书中的安全规则可能会导致严重的人身伤害。

部件名称

► 图片1

1	后把手	7	锯链	13	齿形缓冲器
2	开关扳机	8	拉杆	14	锁止按钮
3	注油孔盖	9	链轮护罩	15	链条夹持器
4	前把手	10	调节盘	16	导板护盖
5	前部护手罩	11	后部护手罩	17	导线挂钩
6	导板	12	油位观察窗	18	油泵调节螺丝（底部）

装配

⚠小心:

- 对工具进行任何操作前，请务必确认工具已关闭且已拔下电源插头。

拆卸或安装锯链

⚠小心:

- 安装或拆卸锯链时，务必佩戴手套。

拆卸锯链时，请执行以下步骤：

- 按下并完全打开拉杆直至其停止。
► **图片2:** 1. 拉杆 2. 链轮护罩
- 逆时针转动拉杆以松开链轮护罩直至其脱离。
- 朝“-”方向转动调节盘以释放锯链张力。
► **图片3:** 1. 调节盘
- 拆下链轮护罩。
- 从链锯上拆下锯链和导板。
安装锯链时，请执行以下步骤：
- 确认链条的方向。链条上的箭头标志表示链条的方向。
► **图片4:** 1. 链轮
- 请将锯链一端置于导板上方并用另一端环绕链轮。
- 在链锯上将导板安装到位。
- 将张紧滑板与导板上的孔对齐。
► **图片5:** 1. 导板 2. 孔
- 握住导板的同时，朝“+”方向转动调节盘，以调节锯链张力。

- 放置链轮护罩，以便沿孔的边沿装入挂钩，然后将销钉装入链轮护罩对应区域。

► **图片6:** 1. 挂钩 2. 孔 3. 销钉

- 顺时针转动拉杆以固定链轮护罩。

► **图片7**

- 按下并将拉杆恢复至其原位。

调节锯链张紧度

使用数小时后，锯链可能会变松。使用后，请经常检查锯链张紧度。

- 按下并完全打开拉杆直至其发出咔嚓声。略微逆时针转动以稍稍松开链轮护罩。
► **图片8:** 1. 拉杆 2. 链轮护罩
- 轻轻提起导板顶端。
► **图片9:** 1. 拧松 2. 拧紧 3. 调节盘 4. 导板 5. 锯链
- 转动调节盘以调节锯链张紧度。紧固锯链，直至锯链的下侧嵌入导板轨道（见图中圆圈部分）。
- 轻轻抓住导板，并在调节链条张紧度后紧固链轮护罩。确保下方锯链不会松脱。
- 按下并将拉杆恢复至其原位。
► **图片10:** 1. 拉杆 2. 链轮护罩
确保锯链紧紧啮合导板下方。

⚠️小心：

- 请勿过度张紧锯链。过度张紧锯链可能会导致锯链断裂、导板磨损以及调节盘破裂。
- 链条太松会导致其脱离导板，因此会有意外风险。
- 应在清洁无锯屑或类似的位置进行锯链的安装和拆卸。

安装延长线

⚠️小心：

- 务必将延长线插头从主电源插座上拔下。

- **图片11:** 1. 导线挂钩 2. 工具导线 3. 延长线 4. 插头和插口（形状可能因销往国家之不同而异）

安装延长线时，请使用导线挂钩将其固定在链锯的导线上。

在距离延长线接头约100 - 200 mm处安装导线挂钩。这样有助于防止延长线意外断开。

操作

开关操作

- **图片12:** 1. 锁止按钮 2. 开关扳机

⚠️小心：

- 在检查开关扳机功能之前，请务必关闭工具电源开关并拔下电源插头。
- 插上工具电源插头之前，请务必确认开关扳机能够正常工作，松开时能回到“OFF”（关闭）位置。

- **图片13**

注：

- 请勿在短时间内（五秒或以下）过于频繁地开启和关闭工具。否则工具内部温度将升高，进而可能导致工具损坏。具体时间随环境温度和其他条件不同而变化。

为避免使用者不小心扣动开关扳机，本工具采用锁止按钮。

要启动工具时，按下锁止按钮，然后扣动开关扳机即可。松开开关扳机，工具即停止。

润滑

⚠️小心：

- 在润滑锯链之前，请务必关闭工具并拔下电源插头。

- **图片14**

使用含粘合剂的可生物降解型锯链油润滑锯链和导板。锯链油中的粘合剂可防止锯链油被锯链过快甩出。由于矿物油对环境有害，因此不得使用矿物油。

⚠️小心：

- 防止锯链油接触皮肤和眼部。接触眼部会引起刺激。如不慎接触眼部，应立即用清水冲洗眼部，随后立即就医。
- 切勿使用废油。废油包含致癌物质。废油中的污染物可能加速油泵、导板和链条的磨损。废油对环境有害。
- 第一次给链锯注入链条油时，或给空油箱重新注油时，请加至注油器颈部的底缘。否则供油系统可能会受损。

- **图片15:** 1. 注油孔盖 2. 系带

注油时，请执行以下步骤：

1. 彻底清洁注油孔盖周围区域，防止污垢进入油箱内。
2. 拧松注油孔盖，然后注油至注油器颈部的底缘为止。
3. 将注油孔盖拧紧至原位。
4. 仔细擦拭溅出的链条油。

注：

- 首次使用链锯时，可能需要等待两分钟使锯链油对锯链装置进行初始润滑。在无负载的情况下，使链锯运转直至初始润滑结束为止（请参见“检查”）。

检查

开始工作之前，请检查以下事项：

检查链条张紧度

⚠️警告：

- 检查链条张紧度之前，请拔出电源插头并佩戴安全手套。

- **图片16:** 1. 拧松 2. 拧紧 3. 调节盘 4. 导板 5. 锯链

确保锯链与导板下方（见圆圈部分）紧紧啮合。

鉴于新链条容易拉伸，应时常检查链条张紧度。

过度张紧锯链可能会导致锯链断裂、导板磨损以及调节盘破裂。

链条太松会导致其脱离导板，因此会有意外风险。

若链条过松：参考标题为“调节锯链张紧度”的章节，再次调节锯链张紧度。

检查开关操作

小心： 插上工具电源插头之前，请务必确认开关扳机能够正常工作，松开时能回到“OFF”（关闭）位置。

为避免使用者不小心扣动开关扳机，本工具采用锁止按钮。

要启动工具时，按下锁止按钮，然后扣动开关扳机即可。松开开关扳机，工具即停止。在没有按下锁止按钮的情况下，请勿用力扣动开关扳机。这样可能会导致开关损坏。

检查链条闸

注：

- 如果无法启动链锯，请检查是否已释放链条闸。要释放链条闸，请向后拉紧护手罩，直至感觉其啮合为止。

► **图片17：** 1. 前部护手罩 2. 锁定 3. 解锁

► **图片18：** 1. 前部护手罩 2. 锁定 3. 解锁

按照以下步骤检查链条闸：

1. 打开链锯开关时，请用双手紧握链锯。请用右手握住后把手，左手握住前把手。确保导板和链条不会触及任何物体。
2. 首先按下锁止按钮，然后扣动开关扳机。锯链会立即转动。
3. 使用手背向前按压前部护手罩。确保锯链能够立即停止运转。

小心：

- 若锯链未立即停止运转，切勿继续使用该链锯。请咨询Makita（牧田）授权的维修中心。

检查跳动闸

打开链锯开关。

完全松开开关扳机。确认锯链瞬间停止运转。

小心：

- 若锯链未立即停止运转，切勿继续使用该链锯。请咨询Makita（牧田）授权的维修中心。

检查链条给油器

开始工作之前，请检查油箱中的油位以及供油情况。

通过图示中的油位观察窗可观察油位。

► **图片19：** 1. 油位观察窗

按照以下步骤检查供油情况：

启动链锯。

链锯运行后，抓握锯链至树干或地面上方约15 cm处。若润滑充分，油雾会形成少量油痕。

观察风向，避免暴露在油雾下。

小心：

- 若未形成油痕，请勿使用链锯。否则可能缩短链条的使用寿命。检查油位。定期清洁导板中的供油槽和供油孔（参见“保养”）。

调节链条润滑

► **图片20**

您可以使用调节螺丝调节油泵供油速率。

小心：

- 操作期间，请务必同时抓牢前把手和后把手，将工具握紧。
- 始终将待切割木材固定，否则切割碎片可能伤及人员。

使用链锯

造材

► **图片21：** 1. 齿形缓冲器

对于造材切割，请按图示将齿形缓冲器放置于要切割的木料上。

使用运转中的锯链切割木料，使用后部把手提升链锯并使用前把手进行引导。使用齿形缓冲器作为支点。

通过略微按压前把手继续切割，略向后松动链锯。进一步下移齿形缓冲器并再次提升前把手。

进行多次切割时，请在切割间隔时关闭链锯。

⚠️小心：

- 如果使用导板的上缘进行切割，当链条被夹住时，链锯可能会偏向自身方向。因此，请用下缘进行切割，这样当链条被夹住时，链锯会偏离自身方向。

► 图片22

首先在张紧状态下的木料的受压侧（A）进行切割。然后在张紧侧（B）完成切割。这样可防止导板被夹住。

► 图片23

修剪作业

⚠️小心：

- 仅限受过培训的人员方可进行修剪作业。因存在反弹的可能，所以很危险。

进行修剪作业时，如果可行的话，请利用树干支撑链锯。请勿用导板头部进行切割，这会有反弹的风险。

特别注意张紧状态下的枝干。请勿从下部切割未经支撑的枝干。

修剪作业时，切勿站在倒下的树干上。

开槽和顺纹切割

⚠️小心：

- 仅限受过特殊培训的人员方可进行开槽和顺纹切割。因为存在反弹的风险，所以可能会造成人身伤害。

► 图片24

尽量以较浅的角度执行顺纹切割。因无法使用齿形缓冲器，切割时务必尽量小心。

伐木作业

⚠️小心：

- 仅限受过培训的人员方可进行伐木作业。该作业十分危险。

如果您要进行伐木作业，请遵守当地法规。

— 开始伐木作业前，请确保：

- (1) 仅伐木作业人员可留在伐区；
- (2) 任何作业人员在树木倾倒轴线两侧45°范围内均可无障碍地撤离。要注意到被电缆绊倒的危险；
- (3) 树干基部无异物、树根和草丛等；
- (4) 在树木倾倒方向2.5倍树长的范围内无人员或物体。

► 图片25： 1. 伐区

— 伐树时请注意以下事项：

- 倾斜方向；
- 松散或干燥的枝干；
- 树的高度；
- 树冠自然垂落状况；
- 树木是否腐朽。

— 注意风速和风向。如有强风，请勿进行伐木作业。

— 切断外露的树根：首先切断最大的外露树根。先进行垂直切割，然后再进行水平切割。

— 切出一个植口：植口可决定并引导树木的倾倒方向。在树木倾倒侧切出植口。尽量靠近地面切出植口。首先水平切割出树干直径为1/5至1/3深的切口。请勿将植口切割过深。然后进行斜线切割。

► 图片26

— 切去植口整个宽度的牵连部分。

— 在背侧以略高于植口基线的高度进行背侧切割。背侧切割必须绝对水平。在背侧切口和植口之间留出约1/10树干直径的宽度。

未切断树干部分的树木纤维将起到铰链的作用。任何情况下都切勿直接切断树木纤维，否则无法确认树木的倾倒方向。及时在背侧切口上插入楔块。

► 图片27

— 仅可使用塑料或铝质楔块来保持背侧切口处于开断状态。禁止使用铁质楔块。

— 站立在倾倒树木的一旁。保持伐区内树木倾倒的后侧以树为轴线的两侧45°范围内无障碍（参阅“伐区”示意图）。注意倾落的树枝。

— 开始切割前，有必要计划好撤离路线并确保无障碍。如图所示，撤离路线应向后延伸并与预计倾倒线的后方成对角。

► 图片28： 1. 倾倒方向 2. 危险区 3. 撤离路线

保养

⚠小心：

- 检查或保养工具之前，请务必关闭工具电源开关并拔下插头。
- 进行任何检查和保养操作时，请务必佩戴手套。
- 切勿使用汽油、苯、稀释剂、酒精或类似物品清洁工具。否则可能会导致工具变色、变形或出现裂缝。

定期执行下述保养操作。只有定期、正确执行下述保养操作，才会受理您的保修申请。用户只能执行本使用说明书中所述的保养工作。其他工作必须交由MAKITA（牧田）授权的服务中心执行。

清洁链锯

定期使用清洁的抹布清洁链锯。特别注意把手不得沾油。

检查塑料壳体

定期对壳体的所有部件进行外观检查。若某部件损坏，请立即移交给MAKITA（牧田）授权服务中心进行维修。

打磨锯链

⚠小心：

- 对锯链进行保养时，请务必拔出电源插头并佩戴安全手套。

► 图片29

出现以下情况时，需要打磨锯链：

- 切割潮湿木材后产生粉状锯屑；
- 即便施加较大的力，链条也难以穿透木材；
- 切割边有可见损伤；
- 链锯在木材中左右摆动。这种状况是由于锯链打磨不均匀或仅有一侧受损所致。

经常打磨锯链，但每次仅可磨去一小部分材料。

通常，用锉刀打磨2至3下就可以了。如果锯链已经过多次打磨，请将其送至MAKITA（牧田）授权的维修中心进行打磨。

打磨标准：

- 所有锯片长度必须相等。锯片长度不等会使链条无法平顺运转，可能会导致链条断裂。
 - 一旦达到最小3 mm的锯片长度时，请勿再打磨链条。需要更换新链条。
 - 碎片厚度取决于深度规（圆头）和切割边的距离。
 - 以下切割边和深度规之间的距离可以获得最佳切割效果。
链条刀片90PX：0.5 mm
链条刀片91PX：0.65 mm
- 图片30： 1. 锯片长度 2. 切割边和深度规之间的距离 3. 最小3 mm

⚠警告：

- 距离过大会增加反弹风险。
 - 所有锯片的打磨角度必须同为30°。角度不同会导致链条运转不平顺，加速磨损并使链条断裂。
 - 锯片的侧板角度取决于圆锉刀的打磨深度。如果合理使用专用锉刀，会自动产生正确的侧板角度。
 - 各锯链的侧板角度如下：
链条刀片90PX：75°
链条刀片91PX：80°
- 图片31： 1. 侧板角度

锉刀和锉刀导板

- 使用锯链专用圆锉刀（选购附件）打磨链条。不宜使用普通圆锉刀。
 - 各锯链使用的圆锉刀的直径如下：
链条刀片90PX：4.5 mm
链条刀片91PX：4.0 mm
 - 锉刀应仅向前单向打磨锯片。向后抽回时勿使锉刀接触锯片。
 - 首先打磨最短的锯片。然后最短锯片的长度就是锯链上所有其它锯片的标准长度。
- 图片32
- 按图示操作锉刀。
 - 如果使用锉刀夹（选购附件），则可以更容易地操作锉刀。锉刀夹上标刻有30°的正确打磨角标记（将此标记与锯链平行对齐），可限制打磨深度（锉刀直径的4/5）。
- 图片33

- 完成链条打磨后，使用链条量规工具（选购附件）检查深度规的高度。

► 图片34

- 使用专用平锉刀（选购附件）清除所有突出部分（无论多小）。
- 再次挫圆深度规前部。

清洁导板并润滑返回链轮

⚠小心：

- 执行此任务时，请始终佩戴安全手套。否则，毛刺可能伤及人员。

► 图片35

定期检查导板工作面有无损坏。使用合适的工具进行清洁，必要时清除毛刺。若链锯使用频率较高，请至少每周对返回链轮轴承进行一次润滑。在加注新润滑脂之前，请小心清洁导板尖端处的2 mm孔，然后向孔内强制注入少量多功能润滑脂（选购附件）。

清洁导油件

► 图片36: 1. 导油槽 2. 供油孔

- 定期清洁导板中的导油槽和供油孔。

新锯链

交替使用两个或三个锯链，以确保锯链、链轮和导板工作面磨损均匀。更换链条时请翻转导板，以确保导板凹槽磨损均匀。

⚠小心：

- 只能使用此链锯型号（参见“规格”）批准使用的链条和导板。

► 图片37: 1. 链轮

在装配新的锯链前，请检查链轮状况。

⚠小心：

- 磨损的链轮会损坏新的锯链。如果链轮损坏，请将其更换。

更换链轮时，务必装配新的锁紧环。

保养链条和跳动闸

制动系统是非常重要的安全功能。与链锯中其他部件类似，制动系统也会出现一定程度的磨损。制动系统必须由MAKITA（牧田）授权的服务中心进行定期检查。此规定旨在保证您的人身安全。

存放工具

可生物降解型锯链油的保存时间有限。生物油自生产之日起两年后会具有粘性，导致润滑系统中的油泵和部件损坏。

- 长时间停用链锯之前，请清空油箱，并向油箱中加注少量机油(SAE 30)。
- 使链锯短暂运转以便洗除油箱、润滑系统和链锯装置中的所有生物油残余物。

注：

- 链锯停用一段时间后，会有少量链条油泄漏。这属于正常现象，并非故障。

将链锯存放在合适的表面上。重新启用链锯之前，请加注新BIOTOP锯链油。

为了保证产品的安全性与可靠性，任何维修、碳刷检查和更换、或其它维修保养工作需由Makita（牧田）授权服务中心完成。务必使用Makita（牧田）的替换部件。

故障排除

请求维修前，请首先自行检查。如果您发现本手册中有未作说明的问题，请勿尝试拆解工具。请咨询Makita（牧田）授权的服务中心。

故障状态	可能的原因	纠正措施
链锯无法启动。	未通电。	连接电源。 检查电源。
	电缆存在缺陷。	立即停止使用工具，并联系当地授权维修中心寻求帮助。
	工具出现故障。	立即停止使用工具，并联系当地授权维修中心寻求帮助。
链条不旋转。	链条闸处于启动状态。	释放链条闸。
性能不佳。	碳刷磨损。	请到当地授权的维修服务中心进行维修。
链条无油。	油箱无油。	向油箱注油。
	导油槽变脏。	清洁导油槽。
	油泵调节螺丝调节不当。	调节油泵供油速率。
链条闸启动时，链条仍未停止。	制动带磨损。	立即停止使用工具，并联系当地授权维修中心寻求帮助。
工具异常振动。	导板或锯链松动。	调节导板和锯链的张紧度。
	工具出现故障。	立即停止使用工具，并联系当地授权维修中心寻求帮助。

选购附件

⚠️ 小心：

- 这些附件或装置专用于本说明书所列的Makita（牧田）电动工具。其他附件或装置的使用可能会有人身伤害风险。仅可将附件或装置用于规定目的。

- 锉刀柄
- 锯链油
- 多功能润滑脂
- 滑脂枪

注：

- 本列表中的一些部件可能作为标准配件包含于工具包装内。它们可能因销往国家之不同而异。

如您需要了解更多关于这些选购附件的信息，请咨询当地的Makita（牧田）维修服务中心。

- 锯链
- 导板护盖
- 导板
- 链条量规
- 4.0 mm圆锉刀
- 4.5 mm圆锉刀
- 平锉刀
- 4.0 mm锉刀夹
- 4.5 mm锉刀夹

SPESIFIKASI

Model		UC3041A		UC3541A		UC4041A	
Kecepatan rantai maksimal		14,5 m/s (870 m/min)					
Bilah pemandu standar	Panjang bilah	300 mm		350 mm		400 mm	
	Panjang pemotongan	265 mm		325 mm		360 mm	
	Tipe bilah pemandu	Bilah hidung sproket					
Rantai gergaji standar	Tipe	90PX	91PX	90PX	91PX	90PX	91PX
	Pitch	3/8"					
	Jumlah sambungan rantai	46		52		56	
Panjang bilah pemandu yang disarankan		300 - 400 mm					
Panjang keseluruhan (tanpa bilah pemandu)		455 mm					
Berat bersih		4,6 kg		4,7 kg		4,7 kg	
Kabel ekstensi (opsional)		DIN 57282/HO 7RN -F L=30 m maks.,3x1,5 mm ²					

- Karena kami terus melakukan program penelitian dan pengembangan, spesifikasi yang disebutkan di sini dapat berubah tanpa pemberitahuan.
- Spesifikasi dapat berbeda di setiap negara.
- Berat menurut Prosedur EPTA 01/2003

Simbol

Berikut ini adalah simbol-simbol yang digunakan pada peralatan ini. Pastikan Anda memahami arti masing-masing simbol sebelum menggunakan alat.

	Baca petunjuk penggunaan dan ikuti peringatan dan petunjuk keamanan.
	Gunakan pelindung mata.
	Gunakan pelindung telinga.
	ISOLASI GANDA
	Perhatian: diperlukan kehati-hatian dan pusatkan perhatian!
	Perhatian: segera cabut steker apabila kabel rusak!
	Perhatian: hentakan balik!
	Lindungi dari hujan dan udara lembap!
	Gunakan helm, kaca mata pelindung, dan pelindung telinga!
	Gunakan sarung tangan pelindung!

	Cabut steker listrik!
	P3K
	Panjang pemotongan maksimal yang diizinkan
	Arah gerakan rantai
	Oli rantai
	Rem rantai dilepas
	Rem rantai dioleskan
	Dilarang!
	Hanya untuk negara Uni Eropa Jangan membuang peralatan listrik bersama dengan material limbah rumah tangga! Dengan memerhatikan Direktif Eropa tentang Limbah Peralatan Listrik dan Elektronik serta pelaksanaannya sesuai dengan ketentuan hukum nasional, peralatan listrik yang telah habis masa pakainya harus dikumpulkan secara terpisah dan dikembalikan ke fasilitas daur ulang yang kompatibel dengan lingkungan.

Tujuan yang dimaksudkan

Mesin ini digunakan untuk kayu dan batang pohon.

Pasokan daya

Mesin harus terhubung dengan pasokan daya listrik yang bervoltase sama dengan yang tertera pada pelat nama, dan hanya dapat dijalankan dengan listrik AC fase tunggal. Mesin diisolasi ganda sehingga dapat juga dihubungkan dengan soket tanpa kabel arde.

Peringatan Keselamatan Umum Mesin Listrik

⚠️ PERINGATAN Bacalah semua peringatan keselamatan dan semua petunjuk. Kelalaian mematuhi peringatan dan petunjuk dapat menyebabkan sengatan listrik, kebakaran dan/atau cedera serius.

Simpanlah semua peringatan dan petunjuk untuk acuan di masa depan.

Istilah "mesin listrik" dalam semua peringatan mengacu pada mesin listrik yang dijalankan dengan sumber listrik jala-jala (berkabel) atau baterai (tanpa kabel).

Keselamatan tempat kerja

1. **Jaga tempat kerja selalu bersih dan berpenerangan cukup.** Tempat kerja yang berantakan dan gelap mengundang kecelakaan.
2. **Jangan gunakan mesin listrik dalam lingkungan yang mudah meledak, misalnya terdapat cairan, gas, atau debu yang mudah terbakar.** Mesin listrik menimbulkan bunga api yang dapat membakar debu atau uap tersebut.
3. **Jauhkan anak-anak dan orang lain saat menggunakan mesin listrik.** Jika perhatian terpecah, Anda mungkin saja kehilangan kendali.

Keamanan Kelistrikan

4. **Steker mesin listrik harus cocok dengan stopkontak. Jangan sekali-kali mengubah steker dengan cara apa pun. Jangan menggunakan steker adaptor dengan mesin listrik yang terbumi (dibumikan).** Steker yang tidak diubah dan stopkontak yang cocok akan mengurangi risiko sengatan listrik.
5. **Hindari sentuhan tubuh dengan permukaan yang terbumi atau dibumikan seperti pipa, radiator, kompor, dan kulkas.** Risiko sengatan listrik bertambah jika ada bagian tubuh Anda yang menyentuh bumi atau tanah.
6. **Jangan membiarkan mesin listrik kehujanan atau basah.** Air yang masuk ke dalam mesin listrik akan meningkatkan risiko sengatan listrik.
7. **Jangan menyalahgunakan kabel. Jangan sekali-kali menggunakan kabel untuk membawa, menarik, atau mencabut mesin listrik dari stopkontak. Jauhkan kabel dari panas, minyak, tepian tajam, atau bagian yang bergerak.** Kabel yang rusak atau kusut memperbesar risiko sengatan listrik.
8. **Jika menggunakan mesin listrik di luar ruangan, gunakan kabel ekstensi yang sesuai dengan penggunaan di luar ruangan.** Menggunakan kabel yang sesuai dengan penggunaan luar ruangan akan mengurangi risiko sengatan listrik.

9. **Jika mengoperasikan mesin listrik di lokasi lembap tidak terhindarkan, gunakan pasokan daya yang dilindungi peranti imbasan arus (residual current device - RCD).** Penggunaan RCD mengurangi risiko sengatan listrik.
10. **Disarankan untuk menggunakan pasokan daya melalui RCD dengan kapasitas arus sisa 30mA atau kurang.**

Keselamatan Diri

11. **Jaga kewaspadaan, perhatikan pekerjaan Anda dan gunakan akal sehat saat menggunakan mesin listrik. Jangan menggunakan mesin listrik saat Anda lelah atau di bawah pengaruh obat-obatan, alkohol, atau dalam masa pengobatan.** Sesaat saja Anda lalai saat menggunakan mesin listrik dapat menyebabkan cedera badan serius.
12. **Gunakan alat pelindung diri. Selalu gunakan pelindung mata.** Penggunaan peralatan pelindung seperti masker debu, sepatu pengaman anti-selip, helm pengaman, atau pelindung telinga untuk kondisi yang sesuai akan mengurangi risiko cedera badan.
13. **Cegah penyalaan yang tidak disengaja. Pastikan bahwa sakelar berada dalam posisi mati (off) sebelum menghubungkan mesin ke sumber daya dan/atau paket baterai, mengangkat, atau membawanya.** Membawa mesin listrik dengan jari berada di sakelar atau mengalirkan listrik pada mesin listrik dengan sakelar hidup (on) akan mengundang kecelakaan.
14. **Lepaskan kunci-kunci penyetel sebelum menghidupkan mesin listrik.** Kunci-kunci yang masih terpasang pada bagian mesin listrik yang berputar dapat menyebabkan cedera.
15. **Jangan meraih terlalu jauh. Selalu jagalah pijakan dan keseimbangan.** Hal ini memungkinkan pengendalian mesin listrik yang lebih baik dalam situasi yang tidak diharapkan.
16. **Kenakan pakaian dengan baik. Jangan memakai pakaian yang kedodoran atau perhiasan. Jaga jarak antara rambut, pakaian, dan sarung tangan Anda dengan bagian mesin yang bergerak.** Pakaian kedodoran, perhiasan, atau rambut panjang dapat tersangkut pada bagian yang bergerak.
17. **Jika pada peranti tersedia fasilitas untuk menghisap dan mengumpulkan debu, pastikan fasilitas tersebut terhubung listrik dan digunakan dengan baik.** Penggunaan pembersih debu dapat mengurangi bahaya yang terkait dengan debu.

Penggunaan dan pemeliharaan mesin listrik

18. **Jangan memaksa mesin listrik. Gunakan mesin listrik yang tepat untuk keperluan Anda.** Mesin listrik yang tepat akan menuntaskan pekerjaan dengan lebih baik dan aman jika pada kecepatan sesuai rancangannya.
19. **Jangan menggunakan mesin listrik jika sakelar tidak dapat menyalakan dan mematikannya.** Mesin listrik yang tidak dapat dikendalikan dengan sakelarnya berbahaya dan harus diperbaiki.

20. Cabut steker dari sumber listrik dan/atau paket baterai dari mesin listrik sebelum melakukan penyetyelan, penggantian aksesoris, atau menyimpan mesin listrik. Langkah keselamatan preventif tersebut mengurangi risiko hidupnya mesin secara tak sengaja.
 21. Simpan mesin listrik jauh dari jangkauan anak-anak dan jangan biarkan orang yang tidak paham mengenai mesin listrik tersebut atau petunjuk ini untuk menggunakan mesin listrik. Mesin listrik sangat berbahaya di tangan pengguna yang tidak terlatih.
 22. Rawatlah mesin listrik. Periksa apakah ada bagian bergerak yang tidak sejajar atau macet, bagian yang pecah, dan kondisi lain yang dapat memengaruhi penggunaan mesin listrik. Jika rusak, perbaiki mesin listrik terlebih dahulu sebelum digunakan. Banyak kecelakaan disebabkan oleh kurangnya pemeliharaan mesin listrik.
 23. Jaga agar mesin pemotong tetap tajam dan bersih. Mesin pemotong yang terawat baik dengan mata pemotong yang tajam tidak mudah macet dan lebih mudah dikendalikan.
 24. Gunakan mesin listrik, aksesoris, dan mata mesin, dll. berdasarkan petunjuk ini, dengan memperhitungkan kondisi kerja dan jenis pekerjaan yang dilakukan. Pemakaian mesin listrik untuk penggunaan selain yang diperuntukkan dapat menimbulkan situasi berbahaya.
- Servis**
25. Bawa mesin listrik untuk diperbaiki hanya kepada oleh teknisi yang berkualifikasi menggunakan hanya suku cadang pengganti yang serupa. Hal ini akan menjamin terjaganya keamanan mesin listrik.
 26. Patuhi petunjuk pelumasan dan penggantian aksesoris.
 27. Jagalah agar gagang kering, bersih, serta bebas dari minyak dan gemuk.

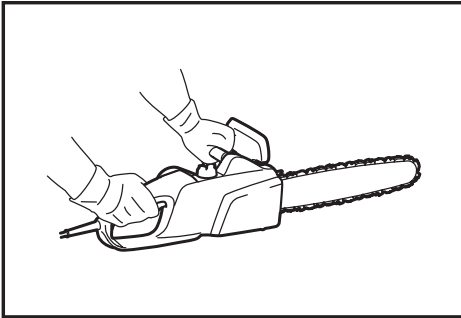
Peringatan keselamatan gergaji mesin

1. Jauhkan semua bagian tubuh dari rantai gergaji saat gergaji mesin beroperasi. Sebelum Anda menyalakan gergaji mesin, pastikan rantai gergaji tidak menyentuh apa pun. Sedikit lengah saat mengoperasikan gergaji mesin dapat menyebabkan tersangkutnya pakaian atau bagian tubuh Anda pada rantai gergaji.
2. Selalu pegang gergaji mesin dengan tangan kanan Anda pada bagian pegangan belakang dan tangan kiri Anda di pegangan depan. Memegang gergaji mesin dengan konfigurasi tangan yang terbalik dapat meningkatkan risiko cedera badan dan tidak boleh dilakukan.
3. Pegang mesin listrik hanya pada permukaan genggam yang terisolasi, karena rantai gergaji mungkin bersentuhan dengan kawat tersembunyi atau kabelnya. Rantai gergaji yang menyentuh kawat yang "aktif" dapat menyebabkan bagian logam pada mesin teraliri arus listrik "aktif" dan dapat menyengat pengguna.
4. Pakailah kaca mata pengaman dan pelindung telinga. Disarankan untuk menggunakan peralatan perlindungan yang lebih lengkap untuk kepala, tangan, dan kaki. Pakaian perlindungan yang mencukupi akan mengurangi kemungkinan cedera badan yang disebabkan oleh serpihan yang beterbangan atau kontak dengan rantai gergaji yang tidak disengaja.
5. Jangan gunakan gergaji mesin di atas pohon. Penggunaan gergaji mesin di atas pohon dapat menyebabkan cedera diri.
6. Selalu jaga pijakan yang baik dan hanya gunakan gergaji mesin saat berdiri di permukaan yang stabil, aman dan datar. Permukaan yang licin atau tidak stabil dapat menyebabkan hilangnya keseimbangan atau kendali atas gergaji mesin.
7. Saat memotong ranting yang ditarik, berhati-hatilah terhadap pantulan ranting ke arah Anda. Ketika tegangan pada serat kayu dilepaskan, ranting yang memantul dapat mengenai operator dan/atau menyebabkan gergaji mesin jadi tidak terkendali.
8. Saat memotong semak-semak dan pohon muda, lakukan dengan sangat hati-hati. Material kecil dapat tersangkut pada rantai gergaji dan terlempar ke arah Anda atau membuat Anda kehilangan keseimbangan.
9. Bawa gergaji mesin menggunakan pegangan depan dalam kondisi mati dan jauhkan dari tubuh Anda. Ketika membawa atau menyimpan gergaji mesin, selalu pasang penutup bilah pemandu. Penanganan gergaji mesin yang sesuai akan mengurangi kemungkinan kontak dengan rantai gergaji yang bergerak secara tidak sengaja.
10. Patuhi petunjuk untuk pelumasan, pengencangan rantai dan penggantian aksesoris. Rantai yang tidak dikencangkan dan dilumasi dengan baik dapat rusak atau meningkatkan risiko hentakan balik.
11. Jagalah agar gagang kering, bersih, serta bebas dari minyak dan gemuk. Pegangan yang berminyak akan menjadi licin dan menyebabkan hilangnya kendali.
12. Hanya potong kayu. Jangan gunakan gergaji mesin untuk tujuan yang tidak sesuai. Contohnya: jangan gunakan gergaji mesin untuk memotong plastik, tembok atau material bangunan selain kayu. Pemakaian gergaji mesin untuk penggunaan selain yang dimaksudkan dapat menimbulkan situasi berbahaya.
13. Penyebab hentakan balik dan tindakan pencegahan untuk operator: Hentakan balik dapat terjadi saat hidung atau ujung bilah pemandu menyentuh benda, atau ketika kayu menjepit rantai gergaji di dalam celah potongan. Kontak pada ujung dapat menyebabkan reaksi membalik secara mendadak, melontarkan bilah pemandu ke atas dan belakang ke arah operator. Menjepit rantai gergaji di sepanjang bagian atas bilah pemandu dapat mendorong bilah pemandu ke arah operator dengan cepat.

Kedua reaksi ini dapat menyebabkan hilangnya kendali atas gergaji yang dapat menyebabkan cedera pribadi serius. Jangan hanya bergantung pada alat keselamatan yang terdapat pada gergaji Anda. Sebagai pengguna gergaji mesin, Anda harus melakukan beberapa langkah agar pekerjaan pemotongan Anda bebas dari kecelakaan atau cedera.

Hentakan balik merupakan akibat dari salah cara menggunakan mesin dan/atau prosedur atau kondisi pengoperasian yang salah dan dapat dihindari dengan melakukan tindakan kewaspadaan yang tepat sebagaimana diuraikan di bawah ini:

- **Pertahankan pegangan yang kuat, dengan ibu jari dan jari melingkari pegangan gergaji mesin, dengan dua tangan memegang gergaji dan posisikan tubuh dan lengan Anda agar dapat menahan hentakan balik.** Hentakan balik dapat dikendalikan oleh operator jika tindakan kewaspadaan yang tepat dilakukan. Jangan lepaskan gergaji mesin.



- **Bekerjalah sesuai jangkauan dan jangan memotong dengan ketinggian di atas pundak Anda.** Hal ini membantu mencegah kontak pada ujung yang tidak diinginkan dan memberikan kendali atas gergaji mesin yang lebih baik pada situasi yang tidak terduga.
- **Hanya gunakan bilah dan rantai pengganti sesuai yang ditentukan oleh produsen.** Penggantian bilah dan rantai yang salah dapat menyebabkan putusnya rantai dan/atau hentakan balik.
- **Ikuti petunjuk pengasahan dan perawatan untuk rantai gergaji mesin dari produsen.** Mengurangi ketinggian pengukur kedalaman dapat menyebabkan meningkatnya hentakan balik.

ATURAN KESELAMATAN TAMBAHAN

1. Baca petunjuk penggunaan untuk membiasakan diri Anda dengan pengoperasian gergaji mesin.
2. Sebelum menggunakan gergaji mesin untuk pertama kalinya, atur untuk dapat membaca panduan selama operasi. Jika tidak memungkinkan, setidaknya lakukan latihan dengan memotong kayu bulat yang diletakkan pada penyangga sebelum mulai bekerja.

3. Gergaji mesin tidak boleh digunakan oleh anak-anak atau usia di bawah 18 tahun. Orang dengan usia di atas 16 tahun diperbolehkan menggunakan mesin ini hanya jika telah menjalani pelatihan dengan pengawasan ahli.
4. Bekerja menggunakan gergaji mesin memerlukan konsentrasi tingkat tinggi. Jangan menggunakan gergaji jika Anda tidak merasa sehat. Lakukan semua pekerjaan dengan tenang dan hati-hati.
5. Jangan bekerja dalam pengaruh alkohol, obat-obatan, atau dalam masa pengobatan.

Penggunaan yang sesuai

1. Gergaji mesin ditujukan hanya untuk memotong kayu. Jangan gunakan untuk sebagai contoh memotong plastik atau beton berpori.
2. Hanya gunakan gergaji mesin untuk operasi yang dijelaskan pada petunjuk penggunaan. **Jangan**, sebagai contoh, menggunakan gergaji mesin untuk memangkas pagar tanaman atau tujuan serupa.
3. Gergaji mesin tidak boleh digunakan untuk pekerjaan kehutanan, yaitu, untuk menebang dan memotong ranting pohon. Kabel gergaji mesin tidak memberikan mobilitas dan keamanan yang diperlukan operator untuk pekerjaan semacam ini.
4. Gergaji mesin ini tidak ditujukan untuk penggunaan komersial.
5. Jangan berikan beban berlebih pada gergaji mesin.

Alat pelindung diri

1. Pakaian harus pas badan, tetapi tidak mengganggu pergerakan.
2. Kenakan pakaian pelindung di bawah ini selama bekerja:
 - Helm keamanan yang telah teruji, jika bahaya disebabkan oleh ranting yang jauh atau semacamnya;
 - Masker wajah atau kacamata pelindung;
 - Perlindungan telinga yang sesuai (busa penutup telinga atau sumbat telinga kustom atau elastis). Analisis merek Octave jika diminta.
 - Sarung tangan pelindung dari kulit yang kuat;
 - Celana panjang yang terbuat dari kain yang kuat;
 - Pakaian kerja pelindung dari bahan yang tahan terhadap benda tajam;
 - Sepatu atau sepatu bot keselamatan dengan sol yang tidak licin, ujung sepatu baja dan lapisan bahan yang tahan terhadap benda tajam;
 - Masker pernapasan, saat melakukan pekerjaan yang menghasilkan debu (misalnya, menggergaji kayu kering).

Perlindungan terhadap sengatan listrik



Gergaji mesin tidak boleh digunakan saat hujan atau pada lingkungan yang lembap karena motor listrik tidak tahan air.

1. Hanya colokkan gergaji pada soket yang berada di sirkuit listrik yang teruji. Pastikan bahwa tegangan sistem sesuai dengan yang tertera pada pelat rating. Pastikan bahwa sekering kabel 16 A terpasang. Gergaji yang digunakan di udara terbuka harus disambungkan dengan pemutus rangkaian dengan imbasan arus yang memiliki arus pengoperasian tidak lebih dari 30 mA.



Jika kabel penghubung rusak, segera cabut steker listrik.

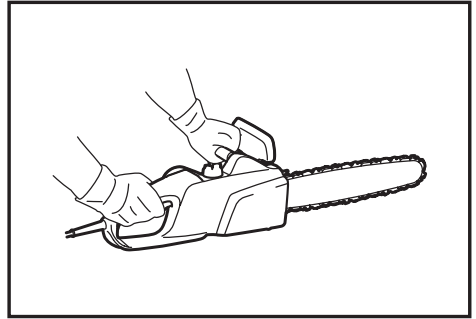
Praktik bekerja dengan aman

1. Sebelum mulai bekerja, pastikan bahwa gergaji mesin bekerja dengan baik dan kondisinya sesuai dengan peraturan keamanan. Khususnya pastikan bahwa:
 - Rem rantai bekerja dengan baik;
 - Rem gergaji mesin bekerja dengan baik;
 - Bilah dan penutup sproket dipasang dengan benar;
 - Rantai telah diasah dan dikencangkan sesuai dengan peraturan;
 - Kabel daya dan steker listrik tidak rusak;

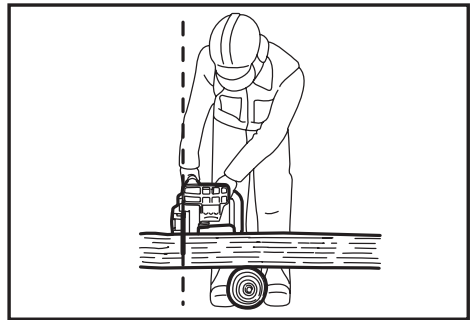
Lihat pada bagian "PERIKSA".

2. Selalu pastikan, khususnya, bahwa kabel ekstensi yang digunakan memiliki penampang yang memadai (lihat "SPESIFIKASI"). Saat menggunakan kabel gulung, lepaskan seluruh bagian kabel dari gulungan. Saat menggunakan gergaji di udara terbuka, pastikan bahwa kabel yang digunakan ditujukan untuk penggunaan di udara terbuka dan telah terukur dengan baik.
3. Jauhkan kabel dari area pemotongan dan posisikan kabel sehingga tidak tersangkut pada ranting dan semacamnya selama pemotongan.
4. Jangan operasikan gergaji mesin di sekitar debu atau gas yang mudah terbakar karena motor menghasilkan percikan dan menyebabkan **risiko ledakan**.
5. Bekerjalah hanya di tanah yang kuat dengan pijakan yang baik. Perhatikan penghalang (misalnya, kabel) pada area kerja. Berhati-hatilah karena kelembapan, es, salju, kayu atau kulit kayu yang baru dipotong dapat menyebabkan permukaan menjadi licin. Jangan berdiri pada tangga atau pohon saat menggunakan gergaji.
6. Berhati-hatilah ketika bekerja pada tanah yang miring, batang dan ranting pohon yang terguling berpotensi menyebabkan bahaya.
7. Jangan pernah memotong di atas tinggi pundak.

8. **Pegang gergaji mesin dengan kedua tangan ketika menyalakan dan menggunakannya.** Pegang pegangan belakang dengan tangan kanan Anda dan pegangan depan dengan tangan kiri Anda. Pegang pegangan kuat-kuat dengan ibu jari Anda. Bilah dan rantai tidak boleh bersentuhan dengan benda apa pun ketika gergaji dinyalakan.



9. Bersihkan area yang akan dipotong dari benda asing seperti pasir, batu, paku, kawat, dll. Benda asing dapat merusak bilah dan rantai, serta dapat menyebabkan hentakan balik yang berbahaya.
10. Hati-hati terutama ketika memotong di sekitar pagar kawat. Jangan memotong pagar karena gergaji dapat mengalami hentakan balik.
11. Jangan memotong ke dalam tanah.
12. Potong kayu satu per satu, tidak dalam jumlah banyak atau tumpukan.
13. Hindari menggunakan gergaji untuk memotong ranting kecil dan akar karena dapat tersangkut pada gergaji mesin. Kehilangan keseimbangan dapat menimbulkan bahaya.
14. Gunakan penahan yang kuat (penyangga) saat memotong kayu yang sudah ditebang.
15. Jangan gunakan gergaji mesin untuk memisahkan atau membersihkan potongan kayu dan benda lainnya.
16. Arahkan gergaji mesin sehingga tidak ada bagian tubuh Anda yang berada di jalur rantai gergaji (lihat gambar).

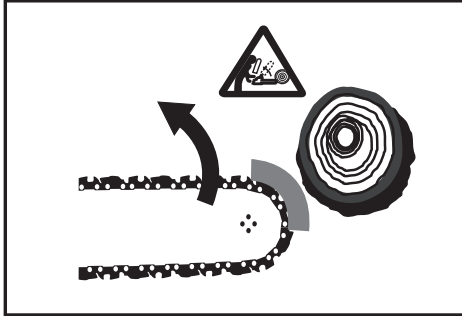


17. Saat berpindah dari satu operasi pemotongan ke operasi pemotongan lain, oleskan rem rantai untuk mencegah rantai beroperasi secara tidak sengaja. Pegang gergaji mesin pada pegangan depan saat membawanya dan jangan letakkan jari Anda pada sakelar.

- Lepas steker listrik saat beristirahat atau meninggalkan gergaji mesin tanpa pengawasan. Letakkan gergaji mesin di tempat di mana gergaji mesin tidak menimbulkan bahaya.

Hentakan

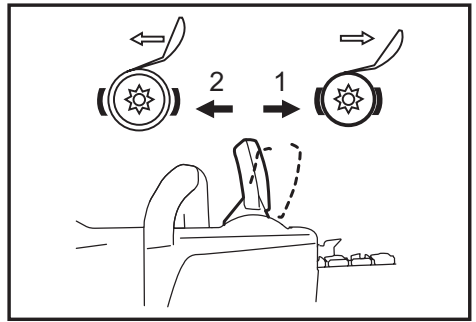
- Hentakan balik yang berbahaya dapat terjadi selama penggunaan gergaji mesin. Hentakan balik terjadi ketika ujung bilah (khususnya seperempat bagian atas) bersentuhan dengan kayu atau benda padat lainnya. Hal ini menyebabkan gergaji terpelantik ke arah operator.



- Untuk menghindari hentakan, perhatikan hal di bawah ini:
 - Jangan mulai memotong menggunakan ujung bilah.
 - Jangan memotong menggunakan ujung bilah. Berhati-hatilah saat melanjutkan pemotongan yang telah dimulai sebelumnya.
 - Mulai pemotongan dengan rantai yang sudah berjalan.
 - Selalu asah rantai dengan benar. Khususnya, atur pengukur kedalaman ke ketinggian yang tepat.
 - Jangan menggergaji beberapa ranting sekaligus.
 - Saat memotong ranting pohon, berhati-hatilah untuk mencegah bilah bersentuhan dengan ranting lain.
 - Ketika memotong batang kayu, hindari batang yang berdekatan. Selalu perhatikan ujung bilah.
 - Gunakan penyangga.

Fitur keselamatan

- Selalu pastikan bahwa fitur keselamatan bekerja dengan baik sebelum mulai bekerja. Jangan gunakan gergaji mesin jika fitur keselamatan tidak bekerja dengan baik.
- Rem rantai:** Gergaji mesin ini dilengkapi dengan rem rantai yang menghentikan rantai gergaji dalam sepersekian detik. Rem ini diaktifkan ketika pelindung tangan didorong ke depan. Rantai gergaji akan berhenti dalam 0,15 detik, dan suplai daya ke motor diputus.



- Rem rantai dioleskan 2. Rem rantai dilepas

Rem gergaji mesin:

Gergaji mesin ini dilengkapi dengan rem gergaji mesin yang akan langsung menghentikan rantai gergaji ketika sakelar ON/OFF dilepaskan. Hal ini mencegah rantai gergaji bergerak ketika dimatikan dan dapat menyebabkan bahaya.

- Pengaman tangan depan dan belakang** melindungi pengguna dari cedera yang disebabkan serpihan kayu yang dapat terlempar ke belakang, atau kerusakan rantai gergaji.
- Pengunci pelatuk** mencegah gergaji mesin dinyalakan secara tidak sengaja.
- Penangkap rantai** melindungi pengguna dari cedera ketika rantai terlempar atau putus.

Pemindahan dan penyimpanan



Ketika gergaji mesin tidak digunakan atau dipindahkan, cabut steker listrik dan pasang penutup bilah pemandu yang disertakan bersama gergaji. Jangan pernah membawa atau memindahkan rantai gergaji yang masih beroperasi.

- Hanya bawa gergaji mesin menggunakan pegangan depan dengan bilah menghadap ke belakang.
- Simpan gergaji mesin di dalam ruangan yang aman, kering dan terkunci jauh dari jangkauan anak-anak. Jangan simpan gergaji mesin di luar ruangan.

PERAWATAN

- Lepaskan steker dari soket sebelum melakukan pengaturan atau pemeliharaan apa pun.
- Periksa apakah ada kerusakan pada isolasi kabel daya secara teratur.
- Bersihkan gergaji mesin secara teratur.
- Segera perbaiki kerusakan apa pun pada perumahan plastik dengan baik.
- Jangan gunakan gergaji jika pelatuk sakelar tidak bekerja dengan baik. Perbaiki pelatuk sakelar dengan baik.
- Dalam kondisi apa pun, jangan melakukan modifikasi pada gergaji mesin. Keamanan Anda terancam.
- Jangan lakukan pemeliharaan atau perbaikan selain yang dijelaskan pada petunjuk penggunaan ini. Perbaikan lainnya harus dilakukan oleh pusat layanan resmi.

8. Hanya gunakan suku cadang pengganti dan aksesoris asli yang sesuai dengan model gergaji Anda. Penggunaan suku cadang lain meningkatkan risiko kecelakaan.
9. Kami tidak bertanggung jawab atas kecelakaan atau kerusakan yang disebabkan penggunaan bilah, rantai gergaji atau suku cadang pengganti lainnya atau aksesoris yang tidak disetujui.

P3K



Jangan bekerja sendirian. Selalu bekerja dalam jarak teriak dari orang kedua.

1. Selalu bawa kotak P3K. Segera ganti item yang diambil dari kotak P3K.
2. Jika Anda memerlukan bantuan jika terjadi kecelakaan, nyatakan hal-hal berikut ini:
 - Di mana kecelakaan terjadi?
 - Apa yang terjadi?
 - Berapa orang yang cedera?
 - Cedera apa yang mereka alami?

- Siapa yang melaporkan kecelakaan?

CATATAN: Individu dengan sirkulasi yang buruk yang terpapar getaran berlebih mungkin mengalami cedera pada pembuluh darah atau sistem saraf.

Getaran dapat menyebabkan gejala berikut yang terjadi pada jari-jari, tangan, atau pergelangan tangan: "Mati rasa" (baal), kesemutan, nyeri, sensasi seperti tertusuk, perubahan kulit atau warna kulit.

Jika terjadi gejala tersebut, hubungi dokter!

SIMPAN PETUNJUK INI.

⚠️PERINGATAN: JANGAN biarkan kenyamanan atau terbiasanya Anda dengan produk (karena penggunaan berulang) mengurangi kepatuhan yang ketat terhadap aturan keselamatan untuk produk yang terkait. **PENYALAHGUNAAN** atau kelalaian dalam mematuhi aturan keselamatan yang tertera pada petunjuk ini dapat menyebabkan cedera badan serius.

NAMA SUKU CADANG

► Gbr.1

1	Pegangan belakang	7	Rantai gergaji	13	Bamper paku
2	Pelatuk sakelar	8	Tuas	14	Tombol buka kunci
3	Penutup lubang pengisian oli	9	Penutup sproket	15	Penangkap rantai
4	Pegangan depan	10	Sakelar penyetel	16	Penutup bilah pemandu
5	Pengaman tangan depan	11	Pengaman tangan belakang	17	Kait kabel
6	Bilah pemandu	12	Penunjuk ketinggian oli	18	Menyetel sekrup pompa oli (pada bagian bawah)

PERAKITAN

⚠️PERHATIAN:

- Pastikan bahwa mesin dalam keadaan mati dan steker tercabut sebelum melakukan pekerjaan apa pun pada mesin.

Melepas atau memasang rantai gergaji

⚠️PERHATIAN:

- Selalu gunakan sarung tangan saat memasang atau melepas rantai gergaji.

Untuk melepaskan rantai gergaji, lakukan langkah-langkah berikut ini:

1. Tekan dan buka tuas sepenuhnya sampai tuas terhenti.

► **Gbr.2:** 1. Tuas 2. Penutup sproket

2. Putar tuas berlawanan arah jarum jam untuk mengendurkan penutup sproket hingga terlepas.
3. Putar sakelar penyetel ke arah "-" untuk melepas tegangan rantai gergaji.

► **Gbr.3:** 1. Sakelar penyetel

4. Lepaskan penutup sproket.
5. Lepaskan rantai gergaji dan bilah pemandu dari gergaji mesin.

Untuk memasang rantai gergaji, lakukan langkah-langkah berikut ini:

6. Pastikan arah rantai. Tanda panah pada rantai menunjukkan arah rantai.

► **Gbr.4:** 1. Sproket

7. Pasang salah satu ujung rantai gergaji pada bagian atas bilah pemandu dan ujung lainnya pada sproket.
8. Kembalikan bilah pemandu ke tempatnya pada gergaji mesin.
9. Sejajarkan tegangan geser untuk mengencangkan rantai dengan lubang pada bilah pemandu.

► **Gbr.5:** 1. Bilah pemandu 2. Lubang

10. Tahan bilah pemandu, dan putar sakelar penyatel ke arah "+" untuk mengatur tegangan rantai gergaji.
 11. Pasang penutup sproket sehingga kait terpasang pada lubang dan pin terpasang ke pasangannya pada penutup sproket.
- **Gbr.6:** 1. Kait 2. Lubang 3. Pasak
12. Putar tuas searah jarum jam untuk mengencangkan penutup sproket.
- **Gbr.7**
13. Tekan dan kembalikan tuas ke posisi semula.

Menyetel tegangan rantai gergaji

Rantai gergaji dapat menjadi kendur setelah jam penggunaan yang banyak. Secara berkala periksa tegangan rantai gergaji sebelum penggunaan.

1. Tekan dan buka penuh tuas sampai berbunyi klik. Putar berlawanan arah jarum jam untuk sedikit mengendurkan penutup sproket.
- **Gbr.8:** 1. Tuas 2. Penutup sproket
2. Sedikit angkat ujung bilah pemandu.
- **Gbr.9:** 1. Kendorkan 2. Kencangkan 3. Sakelar penyatel 4. Bilah pemandu 5. Rantai gergaji
3. Putar sakelar penyatel untuk menyetel tegangan rantai gergaji. Kencangkan rantai gergaji hingga bagian bawah rantai gergaji pas pada rel bilah pemandu (lihat lingkaran).
 4. Tetap tahan bilah pemandu, kencangkan penutup sproket setelah menyetel tegangan rantai. Pastikan rantai gergaji tidak kendur pada sisi bawah.
 5. Tekan dan kembalikan tuas ke posisi semula.
- **Gbr.10:** 1. Tuas 2. Penutup sproket

Pastikan rantai gergaji benar-benar kencang pada bagian bawah bilah.

⚠️ PERHATIAN:

- Jangan mengencangkan rantai gergaji terlalu kuat. Rantai gergaji yang terlalu tegang dapat menyebabkan kerusakan pada rantai gergaji, keausan bilah pemandu dan kerusakan pada sakelar penyatel.
- Rantai yang terlalu kendur dapat terlepas dari bilah, dan karenanya menimbulkan risiko kecelakaan.
- Lakukan prosedur pemasangan dan pelepasan rantai gergaji di tempat yang bersih bebas dari serbuk kayu dan semacamnya.

Menggunakan kabel ekstensi

⚠️ PERHATIAN:

- Pastikan kabel ekstensi tercabut dari steker sumber listrik.

- **Gbr.11:** 1. Kait kabel 2. Kabel mesin 3. Kabel ekstensi 4. Steker dan soket (bentuk di tiap negara mungkin berbeda.)

Ketika menggunakan kabel ekstensi, pasang ke kabel gergaji mesin menggunakan pengait kabel. Sambungkan pengait kabel sekitar 100 - 200 mm dari konektor kabel ekstensi. Hal ini membantu mencegah pemutusan yang tidak disengaja.

PENGOPERASIAN

Kerja sakelar

- **Gbr.12:** 1. Tombol buka kunci 2. Pelatuk sakelar

⚠️ PERHATIAN:

- Selalu pastikan mesin dalam keadaan mati dan steker tercabut sebelum memeriksa fungsi pelatuk sakelar.
- Sebelum memasukkan steker, selalu pastikan pelatuk sakelar berfungsi dengan baik dan kembali ke posisi "MATI" saat dilepas.

- **Gbr.13**

CATATAN:

- Jangan terlalu sering menyalakan dan mematikan mesin dalam waktu yang singkat (lima detik atau kurang). Suhu pada bagian dalam mesin akan naik dan dapat menyebabkan kerusakan mesin. Waktu bervariasi bergantung pada suhu atmosfer dan kondisi lainnya.

Untuk mencegah pelatuk sakelar tertarik dengan tidak sengaja, tersedia tombol buka kunci.

Untuk menjalankan mesin, tekan tombol buka kunci dan tarik pelatuk sakelar. Lepaskan pelatuk sakelar untuk berhenti.

Pelumasan

⚠️ PERHATIAN:

- Selalu pastikan bahwa mesin sudah dimatikan dan dicabut stekernya sebelum melumasi rantai gergaji.

- **Gbr.14**

Lumasi rantai dan bilah gergaji menggunakan oli rantai gergaji yang dapat terdegradasi secara biologis dengan larutan adhesi. Larutan adhesi pada oli rantai gergaji mencegah oli terlempar dari gergaji dengan sangat cepat. Jangan menggunakan oli mineral karena berbahaya bagi lingkungan.

PERHATIAN:

- Jangan sampai oli mengenai kulit dan mata. Kontak dengan mata dapat menyebabkan iritasi. Jika mengenai mata, segera bilas mata yang terkena menggunakan air bersih, lalu segera konsultasi pada dokter.
- Jangan gunakan oli bekas. Oli bekas mengandung bahan karsinogen. Kontaminan pada oli bekas akan mempercepat keausan pada pompa oli, bilah dan rantai. Oli bekas berbahaya bagi lingkungan.
- Ketika mengisi oli rantai pada gergaji mesin untuk pertama kalinya, atau mengisi ulang tangki setelah dikosongkan, tambahkan oli hingga ujung bawah dari leher lubang pengisian. Jika sebaliknya, distribusi oli dapat terganggu.

► **Gbr.15:** 1. Penutup lubang pengisian oli 2. Tali

Untuk mengisi oli, lakukan langkah-langkah berikut ini:

1. Bersihkan area di sekitar penutup lubang pengisian oli untuk mencegah kotoran masuk ke dalam tangki oli.
2. Lepas penutup lubang pengisian oli dan tambahkan oli hingga ujung bawah dari leher lubang pengisian oli.
3. Tutup kembali penutup lubang pengisian oli dengan kencang.
4. Bersihkan semua tumpahan oli rantai secara hati-hati.

CATATAN:

- Saat gergaji mesin digunakan untuk pertama kalinya, perlu hingga dua menit sampai oli rantai gergaji mulai melumasi mekanisme gergaji. Jalankan gergaji tanpa beban hingga semua bagian gergaji terlumasi (lihat "PERIKSA").

PERIKSA

Sebelum mulai bekerja, lakukan pemeriksaan di bawah ini:

Memeriksa tegangan rantai

PERINGATAN:

- Selalu cabut steker listrik sebelum memeriksa tegangan rantai, dan pakailah sarung tangan pelindung.

► **Gbr.16:** 1. Kendurkan 2. Kencangkan 3. Sakelar penyetel 4. Bilah pemandu 5. Rantai gergaji

Pastikan rantai gergaji benar-benar kencang pada bagian bawah bilah (lihat lingkaran).

Periksa tegangan rantai secara teratur karena rantai baru mudah memanjang.

Rantai gergaji yang terlalu tegang dapat menyebabkan kerusakan pada rantai gergaji, keausan bilah pemandu dan kerusakan pada sakelar penyetel.

Rantai yang terlalu kendur dapat terlepas dari bilah, dan karenanya menimbulkan risiko kecelakaan.

Jika rantai terlalu kendur: Lihat pada bagian berjudul "Menyetel tegangan rantai gergaji" dan setel tegangan rantai gergaji lagi.

Memeriksa kerja sakelar

PERHATIAN: Sebelum memasukkan steker, selalu pastikan pelatuk sakelar berfungsi dengan baik dan kembali ke posisi "MATI" saat dilepas.

Untuk mencegah pelatuk sakelar tertarik dengan tidak sengaja, tersedia tombol buka kunci.

Untuk menjalankan mesin, tekan tombol buka kunci dan tarik pelatuk sakelar. Lepaskan pelatuk sakelar untuk berhenti.

Jangan menarik dalam-dalam pelatuk sakelar tanpa menekan tombol buka kunci. Hal ini dapat merusak sakelar.

Memeriksa rem rantai

CATATAN:

- Jika gergaji mesin tidak dapat menyala, periksa apakah rem rantai sudah dilepas. Untuk melepas rem rantai, tarik pengaman tangan ke belakang dengan kuat hingga Anda merasa itu terpasang.

► **Gbr.17:** 1. Pengaman tangan depan 2. Kunci 3. Tidak terkunci

► **Gbr.18:** 1. Pengaman tangan depan 2. Kunci 3. Tidak terkunci

Memeriksa rem rantai dengan cara sebagai berikut:

1. Pegang gergaji mesin dengan kedua tangan ketika menyalakannya. Pegang pegangan belakang dengan tangan kanan Anda, pegangan depan dengan tangan kiri Anda. Pastikan bilah dan rantai tidak menyentuh benda apa pun.
2. Pertama, tekan tombol buka kunci, lalu tekan pelatuk sakelar. Rantai gergaji akan segera mulai bergerak.
3. Tekan pengaman tangan depan ke depan menggunakan punggung tangan Anda. Pastikan bahwa rantai gergaji langsung berhenti.

PERHATIAN:

- Jika rantai gergaji tidak langsung berhenti, jangan gunakan gergaji dalam keadaan apa pun. Konsultasikan dengan pusat layanan resmi Makita.

Memeriksa rem gergaji mesin

Nyalakan gergaji mesin.

Lepas pelatuk sakelar sepenuhnya. Pastikan rantai gergaji berhenti dalam beberapa detik.

PERHATIAN:

- Jika rantai gergaji tidak langsung berhenti, jangan gunakan gergaji dalam keadaan apa pun. Konsultasikan dengan pusat layanan resmi Makita.

Memeriksa alat pelumas rantai

Sebelum mulai bekerja, periksa ketinggian oli di dalam tangki, dan distribusikan oli.

Ketinggian oli dapat dilihat pada penunjuk ketinggian oli yang ditunjukkan dalam gambar.

► **Gbr.19:** 1. Penunjuk ketinggian oli

Memeriksa distribusi oli dengan cara sebagai berikut:
Nyalakan gergaji mesin.
Dengan gergaji beroperasi, tahan rantai gergaji sekitar 15 cm di atas batang pohon atau tanah. Jika pelumasan mencukupi, cipratan oli akan meninggalkan sedikit bekas.
Perhatikan arah angin dan jangan sampai oli terciprat pada Anda.

PERHATIAN:

- Jika bekas cipratan minyak tidak muncul, jangan gunakan gergaji. Jika sebaliknya, masa pakai rantai akan berkurang. Periksa ketinggian oli. Bersihkan alur distribusi oli dan lubang distribusi oli pada bilah (lihat "PERAWATAN").

Menyetel pelumasan rantai

► Gbr.20

Anda dapat menyesuaikan laju pemakanan pompa oli dengan sekrup penyetel.

PERHATIAN:

- Selalu gunakan pegangan depan dan pegangan belakang serta pegang mesin kuat-kuat pada pegangan depan dan pegangan belakang selama penggunaan.
- Selalu kencangkan kayu yang akan dipotong, sebaliknya, pecahan potongan dapat menyebabkan cedera badan.

BEKERJA MENGGUNAKAN GERGAJI MESIN

Memotong batang kayu

► Gbr.21: 1. Bamber paku

Untuk pemotongan batang kayu, letakkan bamber paku yang ditunjukkan dalam gambar pada kayu yang akan dipotong.

Dengan rantai gergaji yang menyala, gergajilah kayu menggunakan pegangan belakang untuk menaikkan gergaji dan pegangan depan untuk memandu. Gunakan bamber paku sebagai poros.

Lanjutkan pemotongan dengan melakukan sedikit tekanan pada pegangan depan, melepaskan gergaji sedikit ke belakang. Geser bamber paku turun dan naikkan pegangan depan lagi.

Ketika membuat beberapa potongan, matikan gergaji mesin di antara setiap potongan.

PERHATIAN:

- Jika ujung atas bilah digunakan untuk memotong, gergaji mesin dapat terpental ke arah Anda jika rantai terjepit. Karena alasan ini, potong menggunakan tepi bagian bawah, sehingga gergaji akan terpental menjauhi tubuh Anda.

► Gbr.22

Potong kayu yang diberi tegangan pada sisi tekanan (A) terlebih dahulu. Lalu lakukan pemotongan akhir pada sisi tekanan (B). Hal ini mencegah bilah terjepit.

► Gbr.23

Memotong cabang pohon

PERHATIAN:

- Pemotongan cabang pohon hanya dapat dilakukan oleh orang yang terlatih. Terdapat bahaya yang dikarenakan risiko hentakan balik.

Ketika memotong cabang pohon, tahan gergaji mesin menggunakan batang pohon jika memungkinkan. Jangan memotong menggunakan ujung bilah karena hal ini menimbulkan bahaya hentakan balik. Perhatikan ranting yang diberi tegangan. Jangan memotong ranting yang tidak ditahan dari bawah. Jangan berdiri pada batang yang telah dipotong ketika memotong cabang pohon.

Membuat lubang pada batang dan memotong sejajar dengan serat kayu

PERHATIAN:

- Membuat lubang pada batang kayu dan memotong sejajar dengan serat kayu hanya dapat dilakukan oleh orang dengan pelatihan khusus. Kemungkinan terjadinya hentakan balik menimbulkan risiko cedera.

► Gbr.24

Lakukan pemotongan sejajar dengan serat kayu dengan sudut sedangkak mungkin. Lakukan pemotongan dengan sangat berhati-hati karena bamber paku tidak dapat digunakan.

Menebang pohon

PERHATIAN:

- Menebang pohon hanya dapat dilakukan oleh orang yang terlatih. Pekerjaan ini berbahaya.

Perhatikan peraturan lokal jika Anda ingin menebang pohon.

— Sebelum mulai menebang pohon, pastikan bahwa:

- (1) Hanya orang yang terlibat dalam operasi penebangan yang boleh berada di sekitar area kerja;
- (2) Setiap orang yang terlibat memiliki jalur yang tak terganggu untuk mundur dengan jangkauan sekitar 45 ° di kedua sisi dari sumbu penebangan. Pertimbangkan risiko tambahan akibat mengenai kabel listrik;
- (3) Bagian dasar batang pohon bersih dari benda asing, akar dan cabang;
- (4) Tidak ada orang atau objek yang berada pada jarak 2 1/2 kali tinggi pohon pada arah jatuhnya pohon.

► Gbr.25: 1. Area penebangan

— Pertimbangkan hal di bawah ini untuk setiap pohon:

- Arah kecondongan;
- Ranting yang patah atau kering;
- Ketinggian pohon;
- Batang panjang yang menggantung secara alami;
- Apakah pohon sudah membusuk atau tidak.

- Pertimbangkan kecepatan dan arah angin. Jangan lakukan penebangan pohon jika angin berembus dengan kuat.
- Memangkas akar yang menjalar: Mulai dengan akar yang paling besar. Lakukan pemotongan vertikal terlebih dahulu.
- Membuat potongan segitiga: Potongan segitiga menentukan arah jatuh pohon dan mengarahkannya. Potongan ini dibuat pada sisi yang menghadap arah ke mana pohon akan terjatuh. Buat potongan segitiga sedekat mungkin dengan tanah. Pertama lakukan pemotongan horizontal sedalam 1/5 - 1/3 diameter batang. Jangan membuat potongan segitiga yang terlalu besar. Lalu lakukan pemotongan diagonal.

► **Gbr.26**

- Potong semua bagian dalam potongan segitiga pada seluruh bagian lebar potongan.
- Buat potongan pada bagian belakang sedikit lebih tinggi dari dasar potongan segitiga. Potongan pada bagian belakang harus benar-benar horizontal. Sisakan sekitar 1/10 dari diameter batang di antara potongan pada bagian belakang dan potongan segitiga. Serat kayu pada bagian batang yang tidak dipotong akan berfungsi sebagai engsel. Jangan potong serat kayu tersebut dalam keadaan apa pun karena jika sebaliknya, pohon akan terjatuh tanpa kendali. Masukkan ganjal pada potongan bagian belakang.

► **Gbr.27**

- Hanya ganjal plastik atau aluminium yang dapat digunakan untuk menahan bukaan pada potongan belakang. Dilarang menggunakan ganjal besi.
- Berdirilah di sisi pohon yang terjatuh. Kosongkan area di belakang pohon yang terjatuh dengan sudut hingga 45 ° pada kedua sisi sumbu pohon (lihat gambar "area penebangan"). Perhatikan ranting yang terjatuh.
- Jalur keluar harus direncanakan dan dikosongkan dengan baik sebelum penebangan dimulai. Jalur keluar harus memanjang ke belakang dan secara diagonal ke bagian belakang dari jalur jatuh yang diperkirakan seperti yang diilustrasikan dalam gambar.

► **Gbr.28:** 1. Arah jatuh 2. Area berbahaya 3. Rute keluar

PERAWATAN

⚠️ PERHATIAN:

- Selalu pastikan bahwa mesin dimatikan dan steker dicabut sebelum melakukan pemeriksaan atau perawatan.
- Selalu gunakan sarung tangan saat melakukan pemeriksaan atau pemeliharaan apa pun.
- Jangan sekali-kali menggunakan benzena, tiner, alkohol, atau bahan sejenisnya. Penggunaan bahan tersebut dapat menyebabkan perubahan warna, perubahan bentuk, atau timbulnya retakan.

Lakukan pemeliharaan yang dijelaskan di bawah ini secara teratur. Klaim garansi akan diterima jika operasi ini telah dilakukan secara teratur dan dilakukan dengan benar.

Pengguna hanya diperbolehkan melakukan pemeliharaan yang dijelaskan dalam petunjuk penggunaan ini. Perbaikan lainnya harus dilakukan oleh pusat layanan resmi MAKITA.

Membersihkan gergaji mesin

Bersihkan gergaji secara teratur dengan kain bersih. Khususnya, pegangan harus bersih dari oli.

Memeriksa rumahan plastik

Lakukan inspeksi visual secara teratur pada semua bagian rumahan. Jika ada bagian yang rusak, segera perbaiki dengan baik dan tepat di pusat layanan resmi MAKITA.

Asah rantai gergaji

⚠️ PERHATIAN:

- Selalu cabut steker listrik dan gunakan sarung tangan pelindung ketika melakukan pekerjaan pada rantai gergaji.

► **Gbr.29**

Asah rantai gergaji ketika:

- Muncul serbuk kayu halus saat memotong kayu yang lembap;
- Rantai kesulitan menembus kayu, bahkan ketika tekanan besar digunakan;
- Terlihat jelas adanya kerusakan pada tepi potong;
- Gergaji bergerak ke kiri atau ke kanan pada kayu. Alasan dari hal ini adalah pengasahan rantai gergaji yang tidak merata, atau terjadi kerusakan hanya pada satu sisi.

Asah rantai gergaji secara teratur, tetapi hanya kikis sedikit material setiap melakukan pengasahan.

Dua atau tiga gerakan dengan kikir biasanya cukup untuk pengasahan rutin. Ketika rantai gergaji telah diasah beberapa kali, asah rantai gergaji di pusat layanan resmi MAKITA.

Kriteria pengasahan:

- Semua panjang pemotong harus setara. Pemotong dengan panjang yang berbeda membuat rantai tidak dapat berjalan dengan lancar, dan dapat menyebabkan rantai terputus.
- Jangan asah rantai ketika sudah mencapai panjang pemotong minimal sebesar 3 mm. Rantai baru harus dipasang.
- Ketebalan serpihan ditentukan oleh jarak antara pengukur kedalaman (hidung bulat) dan tepi potong.
- Hasil pemotongan terbaik didapatkan dengan jarak antara tepi potong dan pengukur kedalaman di bawah ini.

Mata pisau rantai 90PX: 0,5 mm

Mata pisau rantai 91PX: 0,65 mm

- **Gbr.30:** 1. Panjang pemotong 2. Jarak antara tepi potong dan pengukur kedalaman 3. Minimal 3 mm

PERINGATAN:

- Jarak yang berlebihan meningkatkan risiko hentakan balik.

- Sudut pengasahan sebesar 30 ° harus seragam pada semua pemotong. Perbedaan sudut menyebabkan rantai berjalan dengan kasar dan tidak merata, mempercepat keausan dan menyebabkan putusannya rantai.
- Sudut pelat samping pemotong ditentukan oleh kedalaman penetrasi dari kikir bulat. Jika kikir yang ditentukan digunakan dengan baik, sudut pelat samping yang benar akan secara otomatis tercapai.
- Sudut pelat samping untuk masing-masing rantai gergaji adalah sebagai berikut:
Mata pisau rantai 90PX: 75 °
Mata pisau rantai 91PX: 80 °

- **Gbr.31:** 1. Sudut pelat samping

Kikir dan mengarahkan kikir

- Gunakan kikir bulat khusus (aksesori pilihan) untuk rantai gergaji untuk mengasah rantai. Kikir bulat biasa tidak cocok untuk rantai gergaji ini.
- Diameter kikir bulat untuk masing-masing rantai gergaji adalah sebagai berikut:
Mata pisau rantai 90PX: 4,5 mm
Mata pisau rantai 91PX: 4,0 mm
- Kikir hanya boleh bersentuhan dengan pemotong dengan gerakan ke depan. Angkat kikir dari pemotong pada saat gerakan ke belakang.
- Asah pemotong terpendek terlebih dahulu. Lalu panjang dari pemotong terpendek menjadi standar untuk semua pemotong lain pada rantai gergaji.

- **Gbr.32**

- Arahkan kikir seperti ditunjukkan dalam gambar.

- Kikir dapat diarahkan dengan lebih mudah jika penahan kikir (aksesori pilihan) digunakan. Penahan kikir memiliki tanda untuk sudut pengasahan yang benar sebesar 30 ° (sejajarkan tanda dengan rantai gergaji) dan membatasi kedalaman penembusan (hingga 4/5 dari diameter kikir).

- **Gbr.33**

- Setelah mengasah rantai, periksa ketinggian dari pengukur kedalaman menggunakan alat pengukur rantai (aksesori pilihan).

- **Gbr.34**

- Bersihkan semua sisa material, sekecil apa pun, menggunakan kikir datar khusus (aksesori pilihan).
- Bulatkan lagi bagian depan dari pengukur kedalaman.

Membersihkan bilah pemandu dan melumasi sproket pengembali

PERHATIAN:

- Selalu gunakan sarung tangan pelindung untuk pekerjaan ini. Burr dapat menimbulkan risiko cedera.

- **Gbr.35**

Periksa apakah ada kerusakan pada permukaan yang bergerak pada pemandu secara teratur. Bersihkan menggunakan alat yang sesuai, dan bersihkan burr jika diperlukan.

Jika gergaji mesin sering digunakan, lumasi bantalan sproket pengembali setidaknya seminggu sekali. Sebelum menambahkan gemuk baru, bersihkan lubang sebesar 2 mm pada ujung bilah pemandu, lalu masukkan sedikit pelumas serba guna (aksesori pilihan) ke dalam lubang.

Membersihkan pemandu oli

- **Gbr.36:** 1. Alur pemandu oli 2. Lubang distribusi oli

- Bersihkan alur pemandu oli dan lubang distribusi oli pada bilah secara teratur.

Rantai gergaji baru

Gunakan dua atau tiga rantai gergaji secara bergantian, sehingga rantai gergaji, sproket dan permukaan gerak pada bilah aus secara merata. Balikkan bilah ketika mengganti rantai sehingga alur pada bilah aus secara merata.

PERHATIAN:

- Hanya gunakan rantai dan bilah yang disetujui untuk model gergaji ini (lihat "SPESIFIKASI").

- **Gbr.37:** 1. Sproket

Sebelum memasang rantai gergaji baru, periksa kondisi sproket.

PERHATIAN:

- Sproket yang aus dapat merusak rantai gergaji baru. Dalam kasus ini, ganti sproket.

Selalu ganti cincin pengunci ketika mengganti sproket.

Merawat rantai dan rem gergaji mesin

Sistem pengereman adalah fitur keamanan yang sangat penting. Seperti komponen gergaji mesin lainnya, rem juga memiliki tingkat keausan tertentu. Rem harus diperiksa secara teratur oleh pusat layanan resmi MAKITA. Langkah ini dilakukan demi keselamatan Anda.

Menyimpan mesin

Oli rantai gergaji yang dapat terdegradasi secara biologis hanya dapat disimpan dalam waktu yang terbatas. Setelah dua tahun dari tanggal produksi, oli biologis mulai menjadi lengket, dan menyebabkan kerusakan pada pompa oli dan komponen pada sistem pelumasan.

- Sebelum menyimpan gergaji mesin dalam waktu yang lama, kosongkan tangki oli dan isi dengan sedikit oli mesin (SAE 30).

- Jalankan gergaji mesin sebentar untuk membersihkan semua residu oli biologis dari tangki, sistem pelumasan dan mekanisme gergaji.

CATATAN:

- Ketika gergaji mesin disimpan, akan terjadi sedikit kebocoran oli rantai selama beberapa waktu setelahnya. Hal ini normal dan bukan tanda kerusakan.

Simpan gergaji mesin pada permukaan yang sesuai. Sebelum menggunakan kembali gergaji mesin, isi mesin dengan oli rantai gergaji BIOTOP yang masih baru.

Untuk menjaga KEAMANAN dan KEANDALAN mesin, perbaikan, pemeriksaan dan penggantian sikat karbon, serta perawatan atau penyetulan lain harus dilakukan oleh Pusat Layanan Resmi Makita, selalu gunakan suku cadang pengganti buatan Makita.

PEMECAHAN MASALAH

Sebelum meminta perbaikan, lakukan pemeriksaan mandiri terlebih dahulu. Jika Anda menemukan masalah yang tidak dijelaskan dalam buku petunjuk ini, jangan coba membongkar mesin. Sebaiknya, tanyakan pada Pusat Layanan Resmi Makita.

Status malafungsi	Kemungkinan penyebab	Perbaikan
Gergaji mesin tidak menyala.	Tidak ada suplai daya.	Sambungkan pada suplai daya. Periksa suplai daya.
	Kabel rusak.	Segera hentikan pengoperasian mesin, dan tanyakan kepada pusat servis resmi setempat.
	Kegagalan mesin.	Segera hentikan pengoperasian mesin, dan tanyakan kepada pusat servis resmi setempat.
Rantai tidak bekerja.	Rem rantai terpasang.	Lepaskan rem rantai.
Kinerja tidak mencukupi.	Sikat karbon aus.	Mintalah pusat servis resmi setempat untuk melakukan perbaikan.
Tidak ada oli pada rantai.	Tangki oli kosong.	Isi tangki oli.
	Alur panduan oli kotor.	Bersihkan alur.
	Sekrup penyetulan pompa oli tidak disetel dengan benar.	Setel laju pemakanan pompa oli.
Rantai tidak berhenti ketika rem rantai terpasang.	Pita rem aus.	Segera hentikan pengoperasian mesin, dan tanyakan kepada pusat servis resmi setempat.
Mesin bergetar secara tidak wajar.	Bilah pemandu atau rantai gergaji kendur.	Setel kekencangan bilah pemandu dan rantai gergaji.
	Kegagalan mesin.	Segera hentikan pengoperasian mesin, dan tanyakan kepada pusat servis resmi setempat.

AKSESORI PILIHAN

⚠ PERHATIAN:

- Dianjurkan untuk menggunakan aksesoris atau perangkat tambahan ini dengan mesin Makita Anda yang ditentukan dalam petunjuk ini. Penggunaan aksesoris atau perangkat tambahan lain bisa menyebabkan risiko cedera pada manusia. Hanya gunakan aksesoris atau perangkat tambahan yang sesuai dengan tujuan yang telah ditetapkan.

Jika Anda memerlukan bantuan lebih terperinci berkenaan dengan aksesoris ini, tanyakan pada Pusat Layanan Makita terdekat.

- Rantai gergaji
- Penutup bilah pemandu
- Bilah pemandu
- Pengukur rantai
- Kikir bulat 4,0 mm
- Kikir bulat 4,5 mm
- Kikir datar
- Penahan kikir dengan kikir 4,0 mm
- Penahan kikir dengan kikir 4,5 mm
- Pegangan kikir
- Oli rantai gergaji
- Gemuk serbaguna
- Pistol gemuk

CATATAN:

- Beberapa item dalam daftar tersebut mungkin sudah termasuk dalam paket mesin sebagai aksesoris standar. Kelengkapan mesin dapat berbeda di setiap negara.

SPESIFIKASI

Model		UC3041A		UC3541A		UC4041A	
Kelajuan maks. rantai		14.5 m/s (870 m/min)					
Bar panduan standard	Panjang bar	300 mm		350 mm		400 mm	
	Panjang potongan	265 mm		325 mm		360 mm	
	Jenis bar panduan	Bar muncung gegancu					
Rantai gergaji standard	Jenis	90PX	91PX	90PX	91PX	90PX	91PX
	Jarak mata rantai	3/8"					
	Bil. mata rantai pemacu	46		52		56	
Panjang bar panduan yang disyorkan		300 - 400 mm					
Panjang keseluruhan (tanpa bar panduan)		455 mm					
Berat bersih		4.6 kg		4.7 kg		4.7 kg	
Kabel sambungan (pilihan)		DIN 57282/HO 7RN -F L=30 m maks.,3x1.5 mm ²					

- Disebabkan program penyelidikan dan pembangunan kami yang berterusan, spesifikasi yang terkandung di dalam ini adalah tertakluk kepada perubahan tanpa notis.
- Spesifikasi mungkin berbeza mengikut negara.
- Berat mengikut Prosedur EPTA 01/2003

Simbol

Berikut menunjukkan simbol-simbol yang digunakan untuk alat ini. Pastikan anda memahami maksudnya sebelum menggunakan.

	Baca manual arahan dan ikut semua arahan amaran dan keselamatan.
	Pakai pelindung mata.
	Pakai pelindung telinga.
	PENEBATAN BERGANDA
	Perhatian: penjagaan dan perhatian khusus diperlukan!
	Perhatian: cabut palam utama serta-merta jika kabel rosak!
	Perhatian: tolak keluar!
	Lindungi daripada hujan dan kelembapan!
	Pakai topi keledar, goggles dan pelindung telinga!
	Pakai sarung tangan keselamatan!

	Cabut palam utama!
	Pertolongan cemas
	Panjang potongan maksimum yang dibenarkan
	Arah gerakan rantai
	Minyak rantai
	Brek rantai dilepaskan
	Brek rantai digunakan
	Dilarang!
	Hanya untuk negara-negara Kesatuan Eropah Jangan buang peralatan elektrik bersama bahan buangan isi rumah! Dalam mematuhi Arahan Eropah mengenai Sisa Peralatan Elektrik dan Elektronik serta pelaksanaannya mengikut undang-undang negara, peralatan elektrik yang telah mencapai akhir hayatnya mesti dikumpul secara berasingan dan dikembalikan ke kemudahan kitar semula yang bersesuaian dengan alam sekitar.

Tujuan penggunaan

Alat ini bertujuan untuk memotong kayu dan balak.

Bekalan kuasa

Alat ini perlu disambungkan hanya kepada bekalan kuasa dengan voltan yang sama seperti yang ditunjukkan pada papan nama, dan hanya boleh dikendalikan pada bekalan AC fasa tunggal. Ia mempunyai penebatan berganda dan oleh itu, ia juga boleh digunakan dari soket tanpa wayar bumi.

Amaran Keselamatan Umum Alat Kuasa

⚠️ AMARAN Baca semua amaran keselamatan dan semua arahan. Kegagalan mematuhi amaran dan arahan boleh menyebabkan kejutan elektrik, kebakaran dan/atau kecederaan serius.

Simpan semua amaran dan arahan untuk rujukan masa depan.

Istilah "alat kuasa" dalam amaran merujuk kepada alat kuasa yang menggunakan tenaga elektrik (dengan kord) atau alat kuasa yang menggunakan bateri (tanpa kord).

Keselamatan kawasan kerja

1. **Pastikan kawasan kerja bersih dan terang.** Kawasan berselerak atau gelap mengundang kemalangan.
2. **Jangan kendalikan alat kuasa dalam keadaan yang mudah meletup, seperti dalam kehadiran cecair, gas atau habuk yang mudah terbakar.** Alat kuasa menghasilkan percikan api yang boleh menyalakan debu atau wasap.
3. **Jauhkan kanak-kanak dan orang ramai semasa mengendalikan alat kuasa.** Gangguan boleh menyebabkan anda hilang kawalan.

Keselamatan elektrik

4. **Palam alat kuasa mesti sepadan dengan soket.** Jangan ubah suai palam dalam apa cara sekalipun. Jangan gunakan sebarang palam penyesuai dengan alat kuasa terbumi. Palam yang tidak diubah suai dan soket yang sepadan akan mengurangkan risiko kejutan elektrik.
5. **Elakkan sentuhan badan dengan permukaan terbumi, seperti paip, radiator, dapur dan peti sejuk.** Terdapat peningkatan risiko kejutan elektrik jika elektrik terbumi terkena badan anda.
6. **Jangan biarkan alat kuasa terkena hujan atau basah.** Air yang memasuki alat kuasa akan meningkatkan risiko kejutan elektrik.
7. **Jangan salah gunakan kord.** Jangan gunakan kord untuk membawa, menarik atau mencabut palam alat kuasa. Jauhkan kord dari haba, minyak, bucu tajam atau bahagian yang bergerak. Kord yang rosak atau tersimpul meningkatkan risiko kejutan elektrik.
8. **Semasa mengendalikan alat kuasa di luar, gunakan kord sambungan yang bersesuaian untuk kegunaan luar.** Penggunaan kord yang sesuai untuk kegunaan luar mengurangkan risiko kejutan elektrik.

9. **Sekiranya pengendalian alat kuasa di lokasi lembap tidak dapat dielakkan, gunakan bekalan peranti arus sisa (RCD) yang dilindungi.** Penggunaan RCD mengurangkan risiko kejutan elektrik.
10. **Penggunaan bekalan kuasa melalui RCD dengan arus sisa yang bernilai 30 mA atau kurang sentiasa disyorkan.**

Keselamatan diri

11. **Sentiasa berwaspada, perhatikan apa yang anda lakukan dan guna akal budi semasa mengendalikan alat kuasa.** Jangan gunakan alat kuasa semasa anda letih atau di bawah pengaruh dadah, alkohol atau ubat. Kelekaan seketika semasa mengendalikan alat kuasa boleh menyebabkan kecederaan diri yang serius.
12. **Gunakan peralatan pelindung diri.** Sentiasa pakai pelindung mata. Peralatan pelindung seperti topeng debu, kasut keselamatan tak mudah tergelincir, topi keselamatan atau pelindung pendengaran yang digunakan untuk keadaan yang sesuai akan mengurangkan kecederaan diri.
13. **Elakkan permulaan yang tidak disengajakan.** Pastikan suis ditutup sebelum menyambung kepada sumber kuasa dan/atau pek bateri, semasa mengangkat atau membawa alat. Membawa alat kuasa dengan jari anda pada suis atau alat kuasa dengan suis pada kedudukan hidup mengundang kemalangan.
14. **Alihkan sebarang kunci atau sepana pelaras sebelum menghidupkan alat kuasa.** Sepana atau kunci yang ditinggalkan pada bahagian berputar alat kuasa boleh menyebabkan kecederaan diri.
15. **Jangan lampau jangkau.** Jaga pijakan dan keseimbangan yang betul pada setiap masa. Ini membolehkan kawalan alat kuasa yang lebih baik dalam situasi yang tidak dijangka.
16. **Berpakaian dengan betul.** Jangan pakai pakaian yang longgar atau barang kemas. Jauhkan rambut, pakaian, dan sarung tangan anda dari bahagian yang bergerak. Pakaian longgar, barang kemas atau rambut yang panjang boleh terperangkap dalam bahagian yang bergerak.
17. **Jika peranti disediakan untuk sambungan kemudahan pengekstrakan dan pengumpulan habuk, pastikan ia disambung dan digunakan dengan betul.** Penggunaan pengumpulan habuk boleh mengurangkan bahaya berkaitan habuk.

Penggunaan dan penjagaan alat kuasa

18. **Jangan gunakan alat kuasa dengan kasar.** Gunakan alat kuasa yang betul untuk penggunaan anda. Alat kuasa yang betul akan melakukan tugas dengan lebih baik dan lebih selamat pada kadar mana ia direka cipta.
19. **Jangan gunakan alat kuasa jika suis tidak berfungsi untuk menghidupkan dan mematakannya.** Alat kuasa yang tidak dapat dikawal dengan suis adalah berbahaya dan mesti dibaiki.

20. **Cabut palam dari sumber kuasa dan/atau pek bateri dari alat kuasa sebelum membuat sebarang pelarasan, menukar aksesori, atau menyimpan alat kuasa.** Langkah-langkah keselamatan pencegahan sedemikian mengurangkan risiko memulakan alat kuasa secara tidak sengaja.
 21. **Simpan alat kuasa yang tidak digunakan jauh dari jangkauan kanak-kanak dan jangan biarkan orang yang tidak biasa dengan alat kuasa atau arahan ini untuk mengendalikan alat kuasa.** Alat kuasa adalah berbahaya di tangan pengguna yang tidak terlatih.
 22. **Menyelenggara alat kuasa. Periksa salah jajaran atau ikatan pada bahagian yang bergerak, bahagian yang pecah dan apa-apa keadaan lain yang boleh menjejaskan operasi alat kuasa. Jika rosak, baiki alat kuasa sebelum digunakan.** Kebanyakan kemalangan adalah disebabkan oleh alat kuasa yang tidak dijaga dengan baik.
 23. **Pastikan alat pemotong tajam dan bersih.** Alat pemotong yang dijaga dengan betul dengan hujung pemotong yang tajam mempunyai kemungkinan yang rendah untuk terikat dan lebih mudah dikendalikan.
 24. **Gunakan alat kuasa, aksesori dan alat bit dan sebagainya mengikut arahan ini dengan mengambil kira keadaan kerja dan kerja yang perlu dilakukan.** Penggunaan alat kuasa untuk operasi yang berbeza dari yang dimaksudkan boleh menyebabkan keadaan berbahaya.
- Servis**
25. **Pastikan alat kuasa anda diservis oleh orang yang berkelayakan dengan hanya menggunakan alat ganti yang sama.** Ini akan memastikan keselamatan alat kuasa dapat dikekalkan.
 26. **Ikut arahan untuk melincir dan menukar aksesori.**
 27. **Pastikan pemegang sentiasa kering, bersih dan bebas dari minyak dan gris.**

Amaran keselamatan gergaji rantai

1. **Jauhkan semua anggota tubuh badan daripada rantai gergaji semasa gergaji rantai beroperasi. Sebelum anda memulakan gergaji rantai, pastikan rantai gergaji tidak bersentuhan dengan apa-apa pun.** Kelekaan seketika semasa mengendalikan gergaji rantai boleh menyebabkan baju atau badan anda tersangkut dengan gergaji rantai.
 2. **Sentiasa pegang gergaji rantai dengan tangan kanan anda pada pemegang belakang dan tangan kiri anda pada pemegang hadapan.** Memegang gergaji rantai dengan tangan yang berlawanan meningkatkan risiko kecederaan diri dan tidak seharusnya dilakukan sama sekali.
3. **Pegang alat kuasa pada permukaan mencengkam tertebat sahaja, kerana rantai gergaji boleh tersentuh wayar tersembunyi atau kordnya sendiri.** Rantai gergaji yang bersentuhan dengan wayar "hidup" boleh menyebabkan bahagian logam terdedah alat kuasa "hidup" dan boleh memberi kejutan elektrik kepada pengendali.
 4. **Pakai cermin mata keselamatan dan pelindung pendengaran. Peralatan perlindungan lanjut untuk kepala, tangan, betis dan kaki adalah disyorkan.** Pakaian perlindungan yang memadai akan mengurangkan kecederaan diri oleh serpihan yang terbang atau sentuhan yang tidak disengajakan dengan rantai gergaji.
 5. **Jangan kendalikan gergaji rantai di atas pokok.** Pengendalian gergaji rantai semasa berada di atas pokok boleh mengakibatkan kecederaan diri.
 6. **Sentiasa pastikan pijakan yang betul dan kendalian gergaji rantai semasa berdiri pada permukaan yang tetap, kukuh dan rata sahaja.** Permukaan yang licin dan tidak stabil seperti tangga boleh menyebabkan hilang keseimbangan atau kawalan gergaji rantai.
 7. **Semasa memotong dahan yang berada di bawah tekanan, berhati-hati dengan dahan yang terpelanting.** Semasa tekanan pada serat kayu dilepaskan, dahan yang ditekan boleh terpukul pengendali dan/atau mencampak gergaji rantai di luar kawalan.
 8. **Potong semak dan anak pokok dengan sangat berhati-hati.** Bahan halus boleh tersangkut pada rantai gergaji dan meluru ke arah anda atau menarik anda lalu hilang keseimbangan.
 9. **Bawa gergaji rantai dengan memegang pemegang hadapan dengan gergaji rantai dimatikan dan jauh daripada badan anda. Apabila mengangkat atau menyimpan gergaji rantai sentiasa pasang penutup bar panduan.** Pengendalian yang betul bagi gergaji rantai akan mengurangkan kecenderungan berlakunya sentuhan tanpa sengaja dengan rantai gergaji yang bergerak.
 10. **Ikut arahan untuk melincir, menegangkan rantai dan menukar aksesori.** Penegangan dan pelinciran rantai yang tidak betul boleh sama ada mengurangkan atau meningkatkan peluang tolak keluar.
 11. **Pastikan pemegang sentiasa kering, bersih dan bebas daripada minyak dan gris.** Pemegang yang bergris dan berminyak adalah licin dan menyebabkan hilang kawalan.
 12. **Potong kayu sahaja. Jangan gunakan gergaji rantai untuk tujuan yang tidak dinyatakan. Sebagai contoh: jangan gunakan gergaji rantai untuk memotong plastik, batu atau bahan binaan bukan kayu.** Penggunaan gergaji rantai untuk operasi yang berbeza daripada tujuan yang dimaksudkan boleh menyebabkan keadaan yang berbahaya.

13. **Sebab dan pencegahan operasi bagi tolak keluar:**

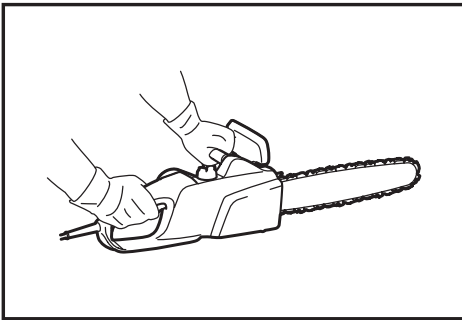
Tolak keluar boleh berlaku semasa muncung atau hujung bar panduan tersentuh objek atau semasa kayu hampir dan menyempit rantai gergaji dalam potongan.

Dalam sesetengah kes, sentuhan hujung boleh menyebabkan reaksi balikan tiba-tiba, menolak bar panduan ke atas dan ke belakang ke arah pengendali.

Menyempit rantai gergaji di sepanjang bahagian atas bar panduan boleh menolak bar panduan dengan pantas ke arah pengendali. Salah satu daripada reaksi ini boleh menyebabkan anda hilang kawalan gergaji yang boleh mengakibatkan kecederaan diri yang serius. Jangan hanya bergantung pada peranti keselamatan yang dipasang pada gergaji anda semata-mata. Sebagai pengguna gergaji rantai, anda perlu mengambil beberapa langkah untuk memastikan kerja pemotongan anda bebas daripada kemalangan dan kecederaan.

Tolak keluar adalah akibat daripada penyalahgunaan alat dan/atau prosedur atau keadaan operasi yang tidak betul dan boleh dielakkan dengan mengambil langkah berjaga-jaga yang betul seperti yang diberikan di bawah:

- **Kekalkan genggamannya yang kemas, dengan ibu jari dan jari di sekeliling pemegang gergaji rantai, dengan kedua-dua belah tangan pada gergaji dan tetapkan kedudukan badan dan tangan anda untuk membenarkan anda melawan daya tolak keluar.** Daya tolak keluar boleh dikawal oleh pengendali jika langkah berjaga-jaga yang betul diambil. Jangan lepaskan gergaji rantai.



- **Jangan terlebih jangkau dan jangan potong di atas ketinggian bahu.** Ini membantu mengelakkan sentuhan hujung yang tidak disengajakan dan membenarkan kawalan gergaji rantai yang lebih baik semasa situasi yang tidak dijangka.
- **Gunakan bar dan rantai gantian yang ditentukan oleh pengeluar sahaja.** Bar dan rantai gantian yang tidak betul boleh menyebabkan rantai putus dan/atau tolak keluar.

- **Ikuti arahan penyelenggaraan dan menajamkan gergaji rantai oleh pengeluar.** Pengurangan ketinggian tolak kedalaman boleh menyebabkan peningkatan tolak keluar.

PERATURAN KESELAMATAN TAMBAHAN

1. Baca manual arahan bagi membiasakan anda dengan pengendalian gergaji rantai.
2. Sebelum menggunakan gergaji rantai untuk pertama kali, aturkan untuk mendapatkan arahan tentang pengendaliannya. Jika ia tidak dapat dilakukan, sekurang-kurangnya berlatih memotong balak bulat di atas kayu penyangga sebelum memulakan kerja.
3. Gergaji rantai mestilah tidak digunakan oleh kanak-kanak atau individu muda yang di bawah umur 18 tahun. Orang muda yang melebihi umur 16 tahun mungkin boleh dikecualikan daripada sekatan ini jika mereka telah melalui latihan di bawah penyeliaan pakar.
4. Bekerja dengan gergaji rantai memerlukan tahap penumpuan yang tinggi. Jangan bekerja dengan gergaji jika anda rasa tidak cergas dan sakit. Jalankan semua kerja dengan tenang dan berhati-hati.
5. Jangan sekali-kali bekerja semasa di bawah pengaruh alkohol, dadah atau ubat.

Penggunaan yang betul

1. Rantai gergaji hanya bertujuan untuk memotong kayu. Jangan gunakan ia, sebagai contoh untuk memotong plastik atau konkrit berliang.
2. Gunakan gergaji rantai untuk operasi yang diterangkan dalam manual arahan ini sahaja. **Jangan**, sebagai contoh, menggunakan ia untuk memangkas tanaman pagar atau untuk tujuan yang sama.
3. Gergaji rantai mestilah tidak digunakan untuk kerja perhutanan, iaitu untuk menebang atau memangkas cabang balak yang belum dipotong. Kabel gergaji rantai tidak memberikan pengendali mobiliti dan keselamatan yang diperlukan untuk kerja sedemikian.
4. Gergaji rantai ini bukan bertujuan untuk kegunaan komersial.
5. Jangan terlebih beban gergaji rantai.

Peralatan pelindung diri

1. Pakaian mestilah ketat, tetapi mestilah tidak menghalang pergerakan.
2. Pakai pakaian perlindungan yang berikut semasa kerja:
 - Topi keledar keselamatan yang telah diuji, sekiranya terdapat bahaya disebabkan oleh ranting yang jatuh atau benda yang serupa;
 - Topeng muka atau goggles;
 - Perlindungan telinga yang sesuai (lapik telinga, palam telinga yang tersuai atau boleh dibentuk). Analisis jenama oktaf atas permintaan.
 - Sarung tangan keselamatan kulit tebal;

- Seluar panjang yang diperbuat daripada fabrik yang kuat;
- Seluar dungari pelindung daripada fabrik kalis potongan;
- Kasut atau but keselamatan dengan tapak tidak gelincir, jari kaku keluli, dan pelapis fabrik tahan potongan;
- Topeng pernafasan, semasa melakukan kerja yang menghasilkan debu (cth. menggergaji kayu kering).

Perlindungan daripada kejutan elektrik



Gergaji rantai mestilah tidak digunakan dalam persekitaran yang basah dan lembab kerana motor elektriknya tidak kalis air.

1. Masukkan palam ke dalam soket pada litar elektrik yang telah diuji sahaja. Periksa bahawa voltan sistem sepadan dengan yang terdapat pada plat kadaran. Pastikan bahawa fuis garis 16 A telah dipasang. Gergaji yang digunakan di kawasan terbuka mestilah disambungkan kepada pemutus litar kendalian arus dengan arus operasi yang tidak melebihi 30 mA.

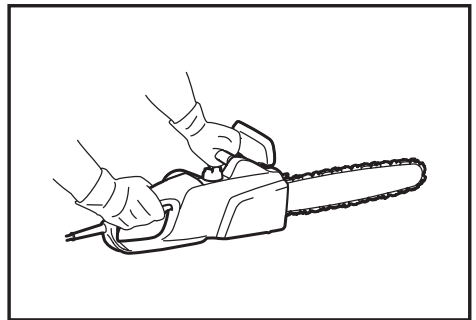


Sekiranya kabel penyambung rosak, cabut palam utama dengan serta-merta.

Amalan kerja selamat

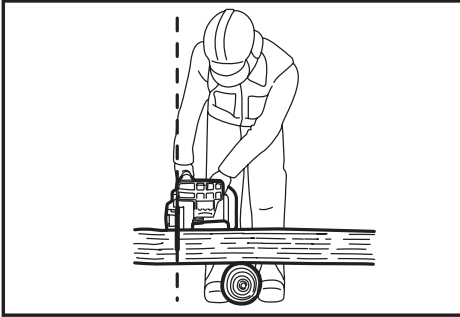
1. Sebelum memulakan kerja, periksa bahawa gergaji rantai berfungsi dengan baik dan keadaannya mematuhi peraturan keselamatan. Periksa secara khusus bahawa:
 - Brek rantai berfungsi dengan baik;
 - Brek merosot bekerja dengan betul;
 - Bar dan penutup gegancu dipasang dengan betul;
 - Rantai ini telah ditajamkan dan ditegangkan mengikut peraturan;
 - Kabel utama dan palam utama tidak rosak;
 Rujuk bahagian "PEMERIKSAAN".
2. Sentiasa pastikan bahawa kabel sambungan yang digunakan adalah keratan rentas yang mencukupi (lihat "SPESIFIKASI"). Semasa menggunakan kili kabel, gulung kabel sepenuhnya daripada kili. Semasa menggunakan gergaji di kawasan terbuka, pastikan kabel yang digunakan bertujuan untuk penggunaan di kawasan terbuka dan dikadar dengan sewajarnya.
3. Jauhkan kord dari kawasan pemotongan dan kedudukan kord supaya ia tidak akan tersangkut pada ranting, dan yang serupa, semasa memotong.
4. Jangan kendalikan gergaji rantai di persekitaran habuk atau gas yang mudah terbakar, kerana motor menjana percikan api dan mendatangkan risiko letupan.

5. Bekerja hanya di tanah yang kukuh dan dengan pijakan yang baik. Berikan perhatian khusus kepada halangan (cth. kabel) di kawasan kerja. Berhati-hati di tempat yang kelembapan, ais, salji, kayu yang baru dipotong atau kulit kayu boleh menjadikan permukaan licin. Jangan berdiri di atas tangga atau pokok apabila menggunakan gergaji.
6. Berhati-hati ketika bekerja di atas tanah yang licin; batang dan cabang bergolek mempunyai potensi bahaya.
7. Jangan sekali-kali potong di atas ketinggian bahu.
8. **Pegang gergaji rantai dengan kedua-dua belah tangan semasa menghidupkannya dan mengunakannya.** Pegang pemegang belakang dengan tangan kanan dan pemegang hadapan dengan tangan kiri anda. Pegang pemegang dengan kuat menggunakan ibu jari anda. Bar dan rantai mestilah tidak bersentuhan dengan sebarang objek apabila gergaji dihidupkan.



9. Bersihkan kawasan yang akan dipotong daripada objek asing seperti pasir, batu, paku, wayar dan sebagainya. Objek asing merosakkan bar dan rantai, dan boleh membawa kepada tolak keluar yang berbahaya.
10. Berhati-hati apabila memotong di sekitar pagar dawai. Jangan potong ke dalam pagar, kerana gergaji boleh ditolak keluar.
11. Jangan memotong ke dalam tanah.
12. Potong kayu secara satu persatu, bukan secara tandan atau timbun.
13. Elakkan menggunakan gergaji untuk memotong cabang dan akar nipis, kerana ini boleh menjadi tersangkut dalam gergaji rantai. Kehilangan keseimbangan mendatangkan bahaya.
14. Gunakan sokongan yang selamat (kayu penyangga) semasa memotong kayu gergaji.
15. Jangan gunakan gergaji rantai untuk mengumpul atau membersihkan potongan kayu dan objek lain.

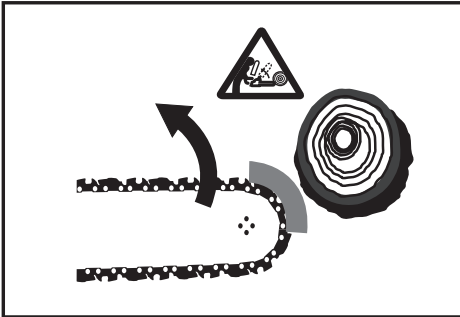
- Pandu gergaji rantai supaya tiada bahagian badan anda berada dalam laluan lanjutan rantai gergaji (lihat rajah).



- Semasa bergerak di antara operasi menggergaji, gunakan brek rantai untuk mengelakkan rantai daripada dikendalikan secara tidak sengaja. Pegang gergaji rantai dengan pemegang hadapan semasa membawanya, dan jangan letakkan jari anda pada suis.
- Keluarkan palam utama semasa rehat atau meninggalkan gergaji rantai tanpa pengawasan. Tinggalkan gergaji rantai di tempat ia tidak mendatangkan bahaya.

Tolak keluar

- Tolak keluar berbahaya boleh berlaku semasa bekerja dengan gergaji rantai. Tolak keluar berlaku apabila hujung bar (khususnya sukuan atas) bersentuhan dengan kayu atau objek pejal lain. Ini menyebabkan gergaji terpesong ke arah pengendali.

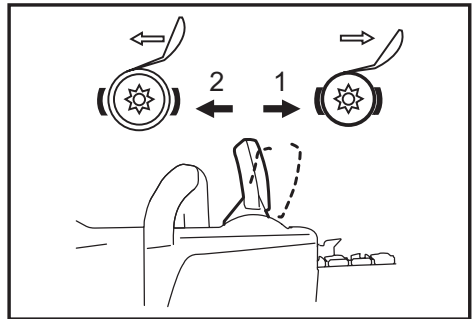


- Untuk mengelakkan tolak keluar, patuhi perkara berikut:
 - Jangan sekali-kali memotong dengan hujung bar.
 - Jangan sekali-kali menggunakan hujung bar untuk memotong. Berhati-hati apabila meneruskan potongan yang telah dimulakan.
 - Mulakan potongan dengan rantai yang berjalan.
 - Sentiasa tajamkan rantai dengan betul. Khususnya, tetapkan tolak kedalaman pada ketinggian yang betul.
 - Jangan sekali-kali gergaji melalui beberapa cabang pada suatu masa.

- Apabila memangkas cabang, berhati-hati untuk mengelakkan bar daripada bersentuhan dengan cabang lain.
- Semasa membelah, pastikan ia bersih daripada batang yang bersebelahan. Selalu perhatikan hujung bar.
- Gunakan kayu penyangga.

Ciri keselamatan

- Sentiasa periksa bahawa ciri keselamatan berada dalam turutan kerja sebelum memulakan kerja. Jangan gunakan gergaji rantai jika ciri keselamatan tidak berfungsi dengan betul.
 - Brek rantai:** Gergaji rantai dipasang dengan brek rantai yang membawa gergaji rantai terhenti dalam masa beberapa saat. Ia diaktifkan semasa pengadang tangan ditolak ke hadapan. Gergaji rantai kemudian berhenti dalam 0.15 saat, dan bekalan kuasa ke motor terganggu.



- Brek rantai digunakan 2. Brek rantai dilepaskan

- Brek perjalanan:** Gergaji rantai dilengkapi dengan brek perjalanan yang menghentikan gergaji rantai dengan serta-merta semasa suis ON/OFF dilepaskan. Ini mengelakkan gergaji rantai daripada berjalan apabila dimatikan, dan menyebabkan bahaya.
- Pengadang tangan hadapan dan belakang** melindungi pengguna daripada kecederaan datangnya daripada serpihan kayu yang mungkin terpelanting ke belakang, atau gergaji rantai yang rosak.
- Sekat masuk pemacu** mengelakkan gergaji rantai daripada dihidupkan tanpa sengaja.
- Penangkap rantai** melindungi pengguna daripada kecederaan sekiranya rantai terlompat atau putus.

Pengangkutan dan penyimpanan



Apabila gergaji rantai tidak digunakan atau sedang diangkat, cabut palam utama dan pasang penutup bar panduan yang dibekalkan dengan gergaji. Jangan sekali-kali membawa atau mengangkat gergaji semasa rantai gergaji berjalan.

- Bawa gergaji rantai dengan pemegang hadapan sahaja, dengan bar menunjuk ke belakang.
- Simpan gergaji rantai di dalam bilik yang selamat, kering dan jauh daripada jangkauan kanak-kanak. Jangan simpan gergaji rantai di luar bangunan.

PENYELENGGARAAN

1. Cabut palam daripada soket sebelum melakukan sebarang pelarasan atau penyelenggaraan.
2. Periksa kabel kuasa secara kerap bagi kerosakan pada penebat.
3. Bersihkan gergaji rantai secara kerap.
4. Baiklah sebarang kerosakan kepada perumahan plastik dengan betul dan serta-merta.
5. Jangan gunakan gergaji jika pemicu suis tidak berfungsi dengan betul. Baikinya dengan betul.
6. Dalam apa keadaan sekalipun, tidak ada sebarang pengubahsuaian harus dibuat kepada gergaji rantai. Keselamatan anda berisiko.
7. Jangan jalankan kerja penyelenggaraan atau pembaikan selain yang diterangkan dalam manual arahan ini. Sebarang kerja lain mesti dilaksanakan oleh pusat servis yang sah.
8. Hanya gunakan alat gantian dan aksesori tulen yang ditujukan untuk model gergaji anda. Penggunaan alat gantian lain meningkatkan risiko kemalangan.
9. Kami tidak bertanggungjawab ke atas kemalangan atau kerosakan sekiranya bar, rantai gergaji atau alat atau aksesori gantian lain yang tidak diluluskan digunakan.

Pertolongan cemas



Jangan bekerja sendirian. Sentiasa bekerja dalam jarak menjerit yang didengari individu kedua.

1. Sentiasa simpan kotak pertolongan cemas. Gantikan sebarang item yang diambil daripadanya dengan segera.
2. Sekiranya anda meminta bantuan jika berlaku kemalangan, nyatakan yang berikut:
 - Di manakah kemalangan berlaku?
 - Apa yang berlaku?
 - Berapa ramai yang cedera?
 - Apakah kecederaan yang mereka alami?
 - Siapa yang melaporkan kemalangan itu?

NOTA: Individu yang mempunyai peredaran darah yang lemah yang terdedah kepada getaran berlebihan boleh mengalami kecederaan pada saluran darah atau sistem saraf.

Getaran boleh menyebabkan gejala berikut berlaku pada jari, tangan atau pergelangan tangan: "Tertidur" (kebas), sesemut, sakit, kedertiaan menusuk, perubahan warna kulit atau kulit.

Jika mana-mana gejala ini berlaku, jumpa doktor!

SIMPAN ARAHAN INI.

⚠️AMARAN: JANGAN biarkan keselesaan atau kebiasaan dengan produk (daripada penggunaan berulang) menggantikan pematuhan ketat terhadap peraturan keselamatan untuk produk yang ditetapkan. SALAH GUNA atau kegagalan untuk mematuhi peraturan-peraturan keselamatan yang dinyatakan dalam manual arahan ini boleh menyebabkan kecederaan diri yang serius.

PENAMAAN MESIN

► Rajah1

1	Pemegang belakang	7	Rantai gergaji	13	Bampar pepaku
2	Pemicu suis	8	Tuil	14	Butang buka kunci
3	Tukup pengisi minyak	9	Penutup gegancu	15	Penangkap rantai
4	Pemegang hadapan	10	Dail pelaras	16	Penutup bar panduan
5	Pengadang tangan hadapan	11	Pengadang tangan belakang	17	Cangkuk kord
6	Bar panduan	12	Penglihatan paras minyak	18	Skru pelaras untuk pam minyak (di bahagian bawah)

PEMASANGAN

⚠️PERHATIAN:

- Sentiasa pastikan alat dimatikan dan palamnya dicabut sebelum menjalankan apa-apa kerja pada alat.

Mengeluarkan atau memasang rantai gergaji

⚠️PERHATIAN:

- Sentiasa pakai sarung tangan apabila memasang atau mengeluarkan rantai gergaji.

Untuk mengeluarkan rantai gergaji, lakukan langkah-langkah berikut:

1. Tekan dan buka sepenuhnya tuil sehingga ia berhenti.
▶ **Rajah2:** 1. Tuil 2. Penutup gegancu
2. Pusingkan tuil arah lawan jam untuk melonggarkan penutup gegancu sehingga ia terkeluar.
3. Pusingkan dail penyelarasan ke arah “-” untuk melepaskan ketegangan rantai gergaji.
▶ **Rajah3:** 1. Dail pelaras
4. Keluarkan penutup gegancu.
5. Keluarkan rantai gergaji dan bar panduan daripada gergaji rantai.

Untuk memasang rantai gergaji, lakukan langkah-langkah berikut:

6. Pastikan arah rantai. Tanda anak panah pada rantai menunjukkan arah rantai.
▶ **Rajah4:** 1. Gegancu
7. Pasangkan di satu hujung rantai gergaji di bahagian atas bar panduan dan hujung yang lain di sekitar gegancu.
8. Letakkan bar panduan di gergaji rantai.
9. Selaraskan gelongsor ketegangan dengan lubang bar panduan.
▶ **Rajah5:** 1. Bar panduan 2. Lubang
10. Pegang bar panduan, dan pusingkan dail penyelarasan ke arah “+” untuk melepaskan ketegangan rantai gergaji.
11. Letakkan penutup gegancu supaya cangkuk padan dengan lubang dan pin padan dengan pasangannya pada penutup gegancu.
▶ **Rajah6:** 1. Cangkuk 2. Lubang 3. Pin
12. Pusingkan tuil mengikut arah jam untuk mengukuhkan penutup gegancu.
▶ **Rajah7**
13. Tekan dan kembalikan tuil ke kedudukan asalnya.

Melaraskan ketegangan rantai gergaji

Rantai gergaji mungkin menjadi longgar selepas penggunaan yang lama. Dari semasa ke semasa, periksa ketegangan rantai gergaji sebelum penggunaan.

1. Tekan dan buka sepenuhnya tuil sehingga ia menghasilkan bunyi ‘klik’. Pusingkan mengikut arah lawan jam sedikit untuk melonggarkan sedikit penutup gegancu ringan.
▶ **Rajah8:** 1. Tuil 2. Penutup gegancu
2. Angkat hujung bar panduan sedikit.
▶ **Rajah9:** 1. Longgarkan 2. Ketatkan 3. Dail pelaras 4. Bar panduan 5. Rantai gergaji
3. Pusingkan dail penyelarasan untuk melaraskan ketegangan rantai gergaji. Ketatkan rantai gergaji sehingga bahagian bawah rantai gergaji sepadan dengan rel bar panduan (lihat bulatan).
4. Terus pegang bar panduan sedikit, ketatkan penutup gegancu selepas melaraskan ketegangan rantai. Pastikan rantai gergaji tidak longgar di bahagian bawah.
5. Tekan dan kembalikan tuil ke kedudukan asalnya.
▶ **Rajah10:** 1. Tuil 2. Penutup gegancu

Pastikan rantai gergaji padan seeloknya ke bahagian bawah bar.

⚠️PERHATIAN:

- Jangan ketatkan rantai gergaji terlalu banyak. Ketegangan berlebihan rantai gergaji boleh menyebabkan kerosakan rantai gergaji, menghauskan bar panduan dan pecahan dail penyesuaian.
- Rantai yang terlalu longgar boleh terlompat daripada bar, dan oleh itu mendatangkan risiko kemalangan.
- Jalankan prosedur memasang atau mengeluarkan rantai gergaji di tempat yang bersih bebas daripada habuk papan dan sebagainya.

Mencabut kord sambungan

⚠️PERHATIAN:

- Pastikan kord sambungan dicabut palam pada salur keluar utama.
- ▶ **Rajah11:** 1. Cangkuk kord 2. Kord alat 3. Kord sambungan 4. Palam dan soket (bentuk pengadang adalah berbeza dari negara ke negara)

Apabila mencabut kord sambungan, kukuhkannya ke kord gergaji rantai dengan cangkuk kabel. Sambungkan kord cangkuk kira-kira 100 - 200 mm daripada penyambung kord sambungan. Ini akan membantu mencegah sambungan terputus secara tidak sengaja.

OPERASI

Tindakan suis

► **Rajah12:** 1. Butang buka kunci 2. Pemicu suis

⚠️ **PERHATIAN:**

- Sentiasa pastikan alat dimatikan dan palamnya dicabut sebelum menyelaras atau menyemak fungsi pada pemicu suis.
- Sebelum memasang alat, sentiasa periksa untuk melihat pemicu suis bergerak dengan betul dan kembali ke posisi "OFF" apabila dilepaskan.

► **Rajah13**

NOTA:

- Jangan hidupkan atau tutup terlalu kerap dalam jangka masa yang sekejap (lima saat atau kurang). Suhu di dalam alat akan meningkat dan boleh menyebabkan kerosakan alat. Masa berbeza-beza mengikut suhu atmosfera dan keadaan lain.

Untuk mengelakkan pemicu suis daripada ditarik secara tidak sengaja, butang buka kunci disediakan.

Untuk memulakan alat, tekan butang buka kunci dan tarik pemicu suis. Lepaskan pemicu suis untuk berhenti.

Pelinciran

⚠️ **PERHATIAN:**

- Sentiasa pastikan alat dimatikan dan palamnya dicabut sebelum melincirkan rantai gergaji.

► **Rajah14**

Lincirkan rantai gergaji dan bar dengan menggunakan minyak rantai gergaji boleh urai secara biologi dengan ejen lekatan. Ejen lekatan dalam minyak rantai gergaji mengelakkan minyak daripada terpercik keluar daripada gergaji dengan sangat cepat. Minyak mineral tidak boleh digunakan, kerana ia berbahaya kepada alam sekitar.

⚠️ **PERHATIAN:**

- Elakkan minyak daripada bersentuhan dengan kulit dan mata. Sentuhan dengan mata menyebabkan kerengsaan. Sekiranya terdapat sentuhan dengan mata, bilas mata yang terkena serta-merta dengan air yang jernih, kemudian berjumpa doktor dengan segera.
- Jangan sekali-kali gunakan minyak sisa. Minyak sisa mengandungi bahan karsinogenik. Bahan pencemar dalam minyak sisa mempercepatkan kehausan pam minyak, bar dan rantai. Minyak sisa berbahaya kepada alam sekitar.
- Apabila mengisi rantai gergaji dengan minyak rantai untuk kali pertama, atau mengisi semula tangki selepas ia telah dikosongkan sepenuhnya, tambah minyak sehingga ke tepi bawah leher pengisi. Penghantaran minyak mungkin terganggu.

► **Rajah15:** 1. Tukup pengisi minyak 2. Pengikat

Untuk mengisi minyak, lakukan langkah-langkah berikut:

1. Bersihkan kawasan di sekeliling tukup pengisi minyak dengan teliti untuk mengelakkan sebarang kotoran daripada memasuki tangki minyak.
2. Buka skru tukup pengisi minyak dan tambah minyak sehingga ke tepi bawah leher pengisi.
3. Skru tukup pengisi minyak dengan kemas kembali ke tempatnya.
4. Lap minyak rantai yang tumpah dengan teliti.

NOTA:

- Semasa gergaji rantai digunakan untuk pertama kalinya, ia mungkin mengambil masa sehingga dua minit untuk minyak rantai gergaji bagi memulakan kesan pelincirnya pada mekanisme gergaji. Jalankan gergaji tanpa beban sehingga ia berbuat demikian (lihat "PEMERIKSAAN").

PEMERIKSAAN

Sebelum memulakan kerja, lakukan pemeriksaan berikut:

Periksa ketegangan rantai

⚠️ **AMARAN:**

- Sentiasa cabut palam utama sebelum memeriksa ketegangan rantai, dan pakai sarung tangan keselamatan.

► **Rajah16:** 1. Longgarkan 2. Ketatkan 3. Dail pelaras 4. Bar panduan 5. Rantai gergaji

Pastikan rantai gergaji padan seeloknya ke bahagian bawah bar (lihat bulatan).

Periksa ketegangan rantai dengan kerap, kerana rantai baharu tertakluk kepada pemanjangan.

Ketegangan berlebihan rantai gergaji boleh menyebabkan kerosakan rantai gergaji, menghauskan bar panduan dan pecahan dail penyesuaian.

Rantai yang terlalu longgar boleh terlompat daripada bar, dan oleh itu mendatangkan risiko kemalangan.

Sekiranya rantai terlalu longgar: Rujuk bahagian yang bertajuk "Melaraskan ketegangan rantaian gergaji" dan laraskan ketegangan rantai gergaji sekali lagi.

Memeriksa tindakan suis

⚠️ **PERHATIAN:** Sebelum memasang alat, sentiasa periksa untuk melihat pemicu suis bergerak dengan betul dan kembali ke posisi "OFF" apabila dilepaskan.

Untuk mengelakkan pemicu suis daripada ditarik secara tidak sengaja, butang buka kunci disediakan.

Untuk memulakan alat, tekan butang buka kunci dan tarik pemicu suis. Lepaskan pemicu suis untuk berhenti. Jangan tarik pemicu suis dengan kuat tanpa menekan butang buka kunci. Ini boleh menyebabkan suis pecah.

Periksa brek rantai

NOTA:

- Jika gergaji rantai gagal bermula, periksa sama ada brek rantai dilepaskan. Untuk melepaskan brek rantai, tarik pengadang tangan ke belakang dengan kemas sehingga anda merasa tertarik.

- **Rajah17:** 1. Pengadang tangan hadapan 2. Kunci
3. Buka kunci
- **Rajah18:** 1. Pengadang tangan hadapan 2. Kunci
3. Buka kunci

Periksa brek rantai seperti berikut:

1. Pegang gergaji rantai dengan kedua-dua belah tangan semasa menghidupkannya. Pegang pemegang belakang dengan tangan kanan, pemegang hadapan dengan tangan kiri anda. Pastikan bar dan rantai tidak bersentuhan dengan sebarang objek.
2. Pertama sekali, tekan butang pengunci, kemudian pemicu suis. Rantai gergaji bermula serta-merta.
3. Tekan pengadang tangan hadapan ke hadapan dengan menggunakan bahagian belakang tangan anda. Pastikan bahawa rantai gergaji menjadi pegun serta-merta.

⚠PERHATIAN:

- Jika rantai gergaji tidak berhenti dengan serta-merta, jangan gunakan gergaji dalam sebarang keadaan. Rujuk pusat servis yang disahkan Makita.

Memeriksa brek merosot

Hidupkan gergaji rantai.

Lepaskan pemicu suis sepenuhnya. Pastikan rantai gergaji menjadi pegun dalam beberapa saat.

⚠PERHATIAN:

- Jika rantai gergaji tidak berhenti dengan serta-merta, jangan gunakan gergaji dalam sebarang keadaan. Rujuk pusat servis yang disahkan Makita.

Periksa brek peminyak rantai

Sebelum memulakan kerja, periksa paras minyak dalam tangki, dan penghantaran minyak. Paras minyak boleh dilihat pada penglihatan paras minyak ditunjukkan dalam gambar.

- **Rajah19:** 1. Penglihatan paras minyak

Periksa penghantaran minyak seperti berikut:
Mulakan gergaji rantai.

Dengan gergaji berjalan, pegang rantai gergaji kira-kira 15 cm di atas batang pokok atau tanah. Sekiranya pelinciran cukup, semburan minyak akan menghasilkan sedikit kesan minyak.

Perhatikan arah angin, dan jangan dedahkan diri anda pada semburan minyak yang tidak diperlukan.

⚠PERHATIAN:

- Sekiranya kesan minyak tidak terbentuk, jangan gunakan gergaji. Jangka hayat rantai tersebut akan berkurang. Periksa paras minyak. Bersihkan alur suapan minyak dan lubang suapan minyak di bar (rujuk kepada "PENYELENGGARAAN").

Melaraskan pelinciran rantai

- **Rajah20**

Anda boleh melaraskan kadar suapan pam minyak dengan skru pelarasan.

⚠PERHATIAN:

- Sentiasa gunakan pemegang hadapan dan pemegang belakang dan pegang alat dengan kukuh pada kedua-dua pemegang hadapan dan pemegang belakang semasa operasi.
- Sentiasa kukuhkan kayu yang akan dipotong, jika tidak, serpihan potongan boleh menyebabkan kecederaan diri.

BEKERJA DENGAN GERGAJI RANTAI

Manual

- **Rajah21:** 1. Bampar pepaku

Untuk potongan belahan, letakkan bampar pepaku yang ditunjukkan dalam rajah pada kayu yang akan dipotong.

Dengan rantaian gergaji berjalan, gergaji ke dalam kayu, menggunakan pemegang belakang untuk menaikkan gergaji dan hadapan untuk memandunya. Gunakan bampar pepaku sebagai pangsi.

Teruskan potongan dengan menggunakan sedikit tekanan pada pemegang hadapan, melegakan sedikit belakang gergaji. Gerakkan bampar pepaku jauh ke bawah kayu dan angkat lagi pemegang hadapan. Semasa membuat beberapa potongan, tukar rantai gergaji di antara potongan.

⚠PERHATIAN:

- Sekiranya tepi atas bar digunakan untuk memotong, gergaji rantai mungkin terbalik ke arah anda jika rantai terperangkap. Atas sebab ini, potong dengan tepi yang lebih rendah, supaya gergaji akan terpesong jauh daripada badan anda.

- **Rajah22**

Potong kayu dengan tegangan di sisi tekanan (A) terlebih dahulu. Kemudian buat potongan terakhir pada sisi ketegangan (B). Ini menghalang bar daripada terperangkap.

- **Rajah23**

Pemangkasan cabang

⚠️ PERHATIAN:

- Pemangkasan hanya boleh dilakukan oleh individu terlatih. Bahaya disebabkan oleh risiko tolak keluar.

Semasa memangkas cabang, sokong gergaji rantai pada batang jika boleh. Jangan potong dengan hujung bar, kerana ini memberikan risiko tolak keluar.

Beri perhatian khusus kepada cabang yang di bawah tegangan. Jangan potong cabang yang tidak disokong dari bawah.

Jangan berdiri di atas batang yang ditebang ketika memangkas cabang.

Potongan mengorok dan selari ira

⚠️ PERHATIAN:

- Potongan mengorok dan selari ira hanya boleh dijalankan oleh individu dengan latihan khas. Kemungkinan tolak keluar memberikan risiko kecederaan.

► Rajah24

Lakukan potongan selari ira pada sudut cetek sebolehnya. Jalankan potongan dengan teliti sebaik mungkin, kerana bampar pepaku tidak boleh digunakan.

Penebangan

⚠️ PERHATIAN:

- Kerja penebangan hanya boleh dilakukan oleh individu terlatih. Kerja ini adalah berbahaya.

Perhatikan peraturan setempat jika anda ingin menebang pokok.

— Sebelum memulakan kerja penebangan, pastikan bahawa:

- (1) Hanya individu yang terlibat dalam operasi penebangan itu berada di sekitar;
- (2) Sesiapa yang terlibat mempunyai laluan bergerak yang tidak terhalang melalui julat kira-kira 45 ° di kedua-dua belah paksi penebangan. Pertimbangkan risiko tambahan, tersandung pada kabel elektrik;
- (3) Tapak batang bebas daripada objek asing, akar dan ranting;
- (4) Tiada individu atau objek yang berada di sepanjang jarak 2 1/2 panjang pokok ke arah di mana pokok itu akan tumbang.

► Rajah25: 1. Kawasan penebangan

- Pertimbangkan yang berikut berkenaan dengan setiap pokok:
 - Arah condong;
 - Cabang kering atau berjumbai;
 - Tinggi pokok;
 - Juntaian semula jadi;
 - Sama ada pokok reput atau tidak.
- Pertimbangkan kelajuan dan arah angin. Jangan teruskan penebangan jika angin bertiu kencang.

- Pemangkasan bengkok akar: Mulakan dengan bengkok paling besar. Buat potongan menegak terlebih dahulu, kemudian potong mendatar.
- Potong skaf: Skaf menentukan arah pokok itu akan tumbang, dan memandunya. Ia dibuat pada sisi ke arah pokok itu tumbang. Potong skaf sehampir yang boleh dengan tanah. Pertama sekali, buat potongan mendatar pada kedalaman 1/5 -1/3 diameter batang. Jangan buat skaf terlalu besar. Kemudian buat potongan pepenjur.

► Rajah26

- Potong sebarang pembedulan pada skaf di seluruh lebarnya.
- Buat potongan belakang sedikit lebih tinggi daripada potongan asas skaf. Potongan belakang mestilah betul-betul mendatar. Biarkan kira-kira 1/10 diameter batang di antara potongan belakang dan skaf.
- Serat kayu di bahagian batang yang tidak dipotong berfungsi sebagai engsel. Jangan potong terus melalui serat dalam apa jua keadaan, kerana pokok itu sebaliknya akan tumbang secara tidak terkawal. Masukkan baji ke dalam potongan belakang tepat pada masanya.

► Rajah27

- Hanya baji plastik atau aluminium boleh digunakan untuk memastikan potongan belakang terus terbuka. Penggunaan baji besi adalah dilarang.
- Berdiri di sebelah pokok yang tumbang. Pastikan kawasan kosong di bahagian belakang pokok yang jatuh sehingga sudut 45 ° di kedua-dua sisi paksi pokok (rujuk pada rajah "kawasan penebangan"). Beri perhatian kepada cabang yang jatuh.
- Laluan melepaskan diri perlu dirancang dan dibersihkan sebaik sebelum pematongan bermula. Laluan melepaskan diri perlu diperluas dan menyeronong ke belakang garisan tumbang yang dijangka seperti digambarkan dalam rajah.

► Rajah28: 1. Arah penebangan 2. Zon bahaya 3. Laluan melepaskan diri

PENYELENGGARAAN

⚠️ PERHATIAN:

- Sentiasa pastikan alat dimatikan dan palamnya dicabut sebelum cuba menjalankan pemeriksaan atau penyelenggaraan.
- Sentiasa pakai sarung tangan semasa melakukan sebarang pemeriksaan atau penyelenggaraan.
- Jangan gunakan gasolin, benzin, pencair, alkohol atau bahan yang serupa. Ia boleh menyebabkan perubahan warna, bentuk atau keretakan.

Jalankan kerja penyelenggaraan yang diterangkan di bawah selalu. Tuntutan waranti akan diterima hanya jika operasi ini telah dilakukan secara kerap dan dengan betul.

Hanya kerja penyelenggaraan yang diterangkan dalam manual arahan ini boleh dilakukan oleh pengguna. Sebarang kerja lain mesti dilaksanakan oleh pusat servis MAKITA yang sah.

Membersihkan gergaji rantai

Bersihkan gergaji dengan kerap dengan kain bersih. Pemegang, khususnya, mesti sentiasa bebas daripada minyak.

Periksa perumah plastik

Jalankan pemeriksaan visual yang kerap bagi semua bahagian perumah. Jika sebarang bahagian rosak, sila baiki dengan segera dan dengan betul di pusat servis MAKITA yang sah.

Menajamkan rantai gergaji

⚠️ PERHATIAN:

- Sentiasa cabut palam utama dan pakai sarung tangan keselamatan semasa melakukan kerja pada rantai gergaji.

► Rajah29

Tajamkan rantai gergaji apabila:

- Habuk gergaji kersai dihasilkan apabila kayu lembap dipotong;
- Rantai susah menembusi kayu, walaupun apabila tekanan berat digunakan;
- Tepi potongan jelas rosak;
- Gergaji tertarik ke kiri atau kanan di dalam kayu. Sebab untuk kelakuan ini adalah penajaman rantai gergaji yang tidak sekata, atau kerosakan pada satu sisi sahaja.

Tajamkan rantai gergaji dengan kerap, tetapi keluarkan sedikit sahaja bahan setiap kali.

Dua atau tiga usapan dengan kikir biasanya cukup untuk rutin penajaman semula. Apabila rantai gergaji telah ditajamkan semula beberapa kali, tajamkan ia di pusat servis MAKITA yang sah.

Kriteria penajaman:

- Semua panjang pemotong mestilah sama. Pemotong yang berbeza panjang menghalang rantai daripada berjalan lancar, dan boleh menyebabkan rantai putus.
- Jangan tajamkan rantai apabila panjang potongan minimum 3 mm telah dicapai. Rantai baharu mesti kemudiannya dipasang.
- Ketebalan cip ditentukan oleh jarak antara tolok kedalaman (muncung bulat) dan tepi potongan.
- Hasil potongan terbaik diperolehi dengan jarak antara tepi potongan dan tolok kedalaman berikut.
Bilah rantai 90PX: 0.5 mm
Bilah rantai 91PX: 0.65 mm

- **Rajah30:** 1. Panjang pemotong 2. Jarak antara tepi potongan dan tolok kedalaman 3. Minimum 3 mm

⚠️ AMARAN:

- Jarak yang berlebihan meningkatkan risiko tolak keluar.

- Sudut penajaman 30 ° mestilah sama pada semua pemotong. Perbezaan pada sudut menyebabkan rantai itu berjalan secara kasar dan tidak sekata, mempercepatkan haus, dan menyebabkan rantai putus.

- Sudut plat sisi pemotong ditentukan oleh kedalaman penembusan kikir bulat. Sekiranya kikir yang ditentukan digunakan dengan betul, sudut plat sisi yang betul dihasilkan secara automatik.

- Sudut plat sisi bagi setiap rantai gergaji adalah seperti berikut:

Bilah rantai 90PX: 75 °

Bilah rantai 91PX: 80 °

- **Rajah31:** 1. Sudut plat sisi

Kikir dan panduan kikir

- Gunakan kikir bulat khas (aksesori pilihan) untuk rantai gergaji bagi menajamkan rantai. Kikir bulat biasa tidak sesuai.

- Diameter kikir bulat untuk setiap rantai gergaji adalah seperti berikut:

Bilah rantai 90PX: 4.5 mm

Bilah rantai 91PX: 4.0 mm

- Kikir hanya boleh memegang pemotong pada usapan ke hadapan. Angkat kikir daripada pemotong pada usapan balik.

- Tajamkan pemotong paling pendek terlebih dahulu. Kemudian panjang pemotong paling pendek ini menjadi standard bagi semua pemotong lain pada rantai gergaji.

► Rajah32

- Panduan kikir seperti yang ditunjukkan di dalam rajah.

- Kikir boleh dipandu dengan lebih mudah jika pemegang kikir (aksesori pilihan) digunakan. Pemegang kikir mempunyai tanda untuk sudut penajaman yang betul sebanyak 30 ° (selaraskan tanda selari dengan rantai gergaji) dan hadkan kedalaman penembusan (kepada 4/5 daripada diameter kikir).

► Rajah33

- Selepas menajamkan rantai, periksa ketinggian tolok kedalaman menggunakan alat tolok rantai (aksesori pilihan).

► Rajah34

- Keluarkan sebarang bahan yang tertonjol, sekecil mana pun, dengan kikir rata khas (aksesori pilihan).

- Bulatkan bahagian depan tolok kedalaman sekali lagi.

Bersihkan bar panduan dan sapukan pelincir pada gegancu balik

⚠️ **PERHATIAN:**

- Sentiasa pakai sarung tangan keselamatan untuk tugas ini. Gerigis menyebabkan risiko kecederaan.

► **Rajah35**

Periksa permukaan berjalan pada bar secara kerap untuk kerosakan. Bersihkan menggunakan alat yang sesuai, dan keluarkan gerigis jika perlu.

Jika gergaji rantai digunakan dengan kerap, sapukan pelincir pada galas gegancu balik sekurang-kurangnya seminggu sekali. Sebelum menambah gris segar baharu, bersihkan lubang 2 mm di hujung bar panduan dengan berhati-hati, kemudian masukkan sejumlah kecil gris pelbagai guna (aksesori pilihan) ke dalam lubang.

Membersihkan panduan minyak

► **Rajah36:** 1. Alur panduan minyak 2. Lubang suapan minyak

- Bersihkan alur panduan minyak dan lubang suapan minyak dalam bar selalu.

Rantai gergaji baharu

Gunakan dua atau tiga rantai gergaji secara berselang-seli, supaya rantai gergaji, gegancu dan permukaan berjalan bar haus sama rata.

Pusingkan bar apabila menukar rantai supaya alur bar haus sama rata.

⚠️ **PERHATIAN:**

- Hanya gunakan rantai dan bar yang diluluskan untuk model gergaji ini (rujuk pada "SPESIFIKASI").

► **Rajah37:** 1. Gegancu

Sebelum memasang rantai gergaji baharu, periksa keadaan gegancu.

⚠️ **PERHATIAN:**

- Gegancu yang haus merosakkan rantai gergaji baharu. Gantikan gegancu dalam kes ini.

Sentiasa pasang gelang pengunci baharu apabila menggantikan gegancu.

Menyelenggara rantai dan brek merosot

Sistem brek adalah ciri keselamatan yang sangat penting. Seperti mana-mana komponen gergaji rantai yang lain, ia tertakluk kepada darjah kehausan tertentu. Ia mesti diperiksa secara kerap oleh pusat servis MAKITA yang sah. Langkah ini adalah untuk keselamatan anda sendiri.

Alat penyimpanan

Minyak rantai gergaji boleh urai secara biologi hanya boleh disimpan untuk tempoh yang terhad. Lebih dari dua tahun selepas pembuatan, minyak biologi mula memperoleh kualiti lekatan, dan menyebabkan kerosakan pada pam minyak dan komponen dalam sistem pelincir.

- Sebelum tidak menggunakan gergaji rantai untuk tempoh yang lebih lama, kosongkan tangki minyak dan isi dengan sedikit minyak enjin (SAE 30).
- Jalankan gergaji rantai sebentar untuk mengepam keluar semua sisa minyak biologi daripada tangki, sistem pelincir dan mekanisme gergaji.

NOTA:

- Apabila gergaji rantai tidak digunakan, sejumlah kecil minyak rantai bocor daripadanya untuk beberapa waktu selepas itu. Ini adalah normal, dan bukan tanda kerosakan.

Simpan gergaji rantai di atas permukaan yang sesuai. Sebelum menggunakan semula gergaji rantai, isikan dengan minyak rantai gergaji BIOTOP baharu. Untuk mengekalkan KESELAMATAN dan KEBOLEHPERCAYAAN produk, pembaikan, pemeriksaan dan penggantian berus karbon, apa-apa penyelenggaraan atau penyesuaian lain perlu dilakukan oleh Pusat Servis Makita yang Diiktiraf, sentiasa gunakan alat ganti Makita.

PENYELESAIAN MASALAH

Sebelum meminta pembaikan, jalankan pemeriksaan sendiri terlebih dahulu. Jika anda mendapati masalah tidak diterangkan dalam manual, jangan cuba untuk menanggalkan alat. Sebaliknya, tanya Pusat Servis Makita yang Diiktiraf.

Status pincang tugas	Sebab yang mungkin	Remedi
Gergaji rantai tidak bermula.	Tiada bekalan kuasa.	Sambungkan ke bekalan kuasa. Periksa bekalan kuasa.
	Kabel rosak.	Berhenti menggunakan alat dengan serta-merta dan tanya pusat servis tempatan anda.
	Alat pincang tugas.	Berhenti menggunakan alat dengan serta-merta dan tanya pusat servis tempatan anda.
Rantai tidak berjalan.	Brek rantai digunakan.	Lepaskan brek rantai.
Prestasi yang tidak mencukupi.	Berus karbon telah haus.	Tanya pusat servis sah tempatan anda untuk pembaikan.
Tiada minyak pada rantai.	Tangki minyak kosong.	Isi tangki minyak.
	Alur panduan minyak kotor.	Bersihkan alur.
	Skru pelaras pam minyak tidak diselaraskan dengan betul.	Selaraskan kadar suapan pam minyak.
Rantai tidak berhenti walaupun brek rantai digunakan.	Jalur brek telah haus.	Berhenti menggunakan alat dengan serta-merta dan tanya pusat servis tempatan anda.
Alat bergetar secara tidak normal.	Bar panduan atau rantai gergaji longgar.	Selaraskan tegangan bar panduan dan rantai gergaji.
	Alat pincang tugas.	Berhenti menggunakan alat dengan serta-merta dan tanya pusat servis tempatan anda.

AKSESORI PILIHAN

⚠️ PERHATIAN:

- Aksesori atau alat tambahan ini adalah disyorkan untuk digunakan dengan alat Makita anda yang dinyatakan dalam manual ini. Penggunaan mana-mana aksesori atau alat tambahan lain mungkin mengakibatkan risiko kecederaan kepada orang. Hanya gunakan aksesori atau alat tambahan untuk tujuan yang dinyatakannya.

Jika anda memerlukan bantuan untuk butiran lanjut berkenaan aksesori ini, tanya Pusat Servis Makita tempatan anda.

- Rantai gergaji
- Penutup bar panduan
- Bar panduan
- Tolok rantai

- Kikir bulat 4.0 mm
- Kikir bulat 4.5 mm
- Kikir rata
- Pemegang kikir dengan kikir 4.0 mm
- Pemegang kikir dengan kikir 4.5 mm
- Pemegang kikir
- Minyak rantai gergaji
- Gris pelbagai guna
- Penembak gris

NOTA:

- Beberapa item dalam senarai mungkin disertakan dalam pakej alat sebagai aksesori standard. Item mungkin berbeza mengikut negara.

THÔNG SỐ KỸ THUẬT

Kiểu		UC3041A		UC3541A		UC4041A	
Tốc độ xích tối đa		14,5 m/s (870 m/min)					
Thanh dẫn hướng tiêu chuẩn	Chiều dài thanh	300 mm		350 mm		400 mm	
	Chiều dài cắt	265 mm		325 mm		360 mm	
	Loại thanh dẫn hướng	Thanh chắn mũi bánh xích					
Xích cưa tiêu chuẩn	Loại	90PX	91PX	90PX	91PX	90PX	91PX
	Răng cưa	3/8"					
	Số mắt xích	46		52		56	
Chiều dài thanh dẫn hướng khuyến dùng		300 - 400 mm					
Chiều dài tổng thể (với thanh dẫn hướng)		455 mm					
Khối lượng tịnh		4,6 kg		4,7 kg		4,7 kg	
Cấp nối dài (tùy chọn)		DIN 57282/HO 7RN -F L=30 m tối đa, 3x1,5 mm ²					

- Do chương trình nghiên cứu và phát triển liên tục của chúng tôi nên các thông số kỹ thuật ở đây có thể thay đổi mà không cần thông báo trước.
- Các thông số kỹ thuật có thể thay đổi tùy theo từng quốc gia.
- Khối lượng tính theo Quy trình EPTA tháng 01/2003

Biểu tượng

Phản dưới đây cho biết các ký hiệu được dùng cho thiết bị. Đảm bảo rằng bạn hiểu rõ ý nghĩa của các ký hiệu này trước khi sử dụng.

	Đọc kỹ tài liệu hướng dẫn và tuân theo các cảnh báo và hướng dẫn an toàn.
	Đeo thiết bị bảo vệ mắt.
	Đeo thiết bị bảo vệ tai.
	CÁCH ĐIỆN CẤP 2
	Cẩn trọng: cần phải đặc biệt cẩn thận và chú ý!
	Cẩn trọng: rút phích cắm nguồn điện chính ngay lập tức nếu cấp bị hỏng!
	Cẩn trọng: lực đẩy ngược!
	Bảo vệ chống mưa và ẩm ướt!
	Đội mũ bảo hộ, kính an toàn và thiết bị bảo vệ tai!
	Mang găng tay bảo hộ!
	Rút phích cắm nguồn điện chính!

	Sơ cứu
	Chiều dài cắt tối đa cho phép
	Hướng truyền dây xích
	Dầu xích
	Đã nhả phanh của dây xích
	Đã sử dụng phanh của dây xích
	Nghiêm cấm!
	Chỉ dành cho các quốc gia châu Âu Không thải bỏ thiết bị điện cùng với các chất thải sinh hoạt! Để tuân thủ Chỉ thị của Châu Âu, về Thiết bị Điện và Điện tử Thái bỏ và thi hành những chỉ thị này phù hợp với luật lệ quốc gia, thiết bị điện tử không còn sử dụng được nữa phải được thu nhặt riêng và đưa trở lại một cơ sở tái chế tương thích với môi trường.

Mục đích sử dụng

Dụng cụ này được dùng để cắt khúc gỗ hoặc gốc cây.

Nguồn cấp điện

Dụng cụ này chỉ được nối với nguồn cấp điện có điện áp giống như đã chỉ ra trên biển tên và chỉ có thể được vận hành trên nguồn điện AC một pha. Chúng được cách điện hai lớp và do đó cũng có thể được sử dụng từ các ổ cắm điện không có dây tiếp đất.

Cảnh báo An toàn Chung dành cho Dụng cụ Máy

⚠CẢNH BÁO Đọc tất cả các cảnh báo an toàn và hướng dẫn. Việc không tuân theo các cảnh báo và hướng dẫn có thể dẫn đến điện giật, hỏa hoạn và/hoặc thương tích nghiêm trọng.

Lưu giữ tất cả cảnh báo và hướng dẫn để tham khảo sau này.

Thuật ngữ "dụng cụ máy" ở mục cảnh báo là nói đến dụng cụ máy dùng điện (có dây) hoặc dụng cụ máy dùng pin (không dây).

An toàn tại nơi làm việc

1. **Giữ nơi làm việc sạch sẽ và có đủ ánh sáng.** Nơi làm việc bừa bộn hoặc tối thường dễ gây ra tai nạn.
2. **Không vận hành dụng cụ máy trong môi trường cháy nổ, ví dụ như môi trường có sự hiện diện của các chất lỏng, khí hoặc bụi dễ cháy.** Các dụng cụ máy tạo tia lửa điện có thể làm bụi hoặc khí bốc cháy.
3. **Giữ trẻ em và người ngoài tránh xa nơi làm việc khi đang vận hành dụng cụ máy.** Sự xao lãng có thể khiến bạn mất khả năng kiểm soát.

An toàn về Điện

4. **Phích cắm của dụng cụ máy phải khớp với ổ cắm.** Không được sửa đổi phích cắm theo bất kỳ cách nào. Không sử dụng bất kỳ phích chuyển đổi nào với các dụng cụ máy được nối đất (tiếp đất). Các phích cắm còn nguyên vẹn và ổ cắm phù hợp sẽ giảm nguy cơ điện giật.
5. **Tránh để cơ thể tiếp xúc với các bề mặt nối đất hoặc tiếp đất như đường ống, bộ tản nhiệt, bếp ga và tủ lạnh.** Nguy cơ bị điện giật sẽ tăng lên nếu cơ thể bạn được nối đất hoặc tiếp đất.
6. **Không để dụng cụ máy tiếp xúc với mưa hoặc trong điều kiện ẩm ướt.** Nước lọt vào dụng cụ máy sẽ làm tăng nguy cơ điện giật.
7. **Không làm dụng cụ máy tiếp xúc với dây điện.** Không được phép sử dụng dây để mang, kéo hoặc tháo phích cắm dụng cụ máy. Giữ dây tránh xa nguồn nhiệt, dầu, các mép sắc hoặc các bộ phận chuyển động. Dây bị hỏng hoặc bị rối sẽ làm tăng nguy cơ điện giật.
8. **Khi vận hành dụng cụ máy ngoài trời, hãy sử dụng dụng cụ kéo dài phù hợp cho việc sử dụng dụng cụ ngoài trời.** Việc dùng dây phù hợp cho việc sử dụng dụng cụ ngoài trời sẽ giảm nguy cơ điện giật.
9. **Nếu bắt buộc phải vận hành dụng cụ máy ở nơi ẩm ướt, hãy sử dụng nguồn cấp điện được bảo vệ bằng thiết bị ngắt dòng điện rò (RCD).** Việc sử dụng RCD sẽ giảm nguy cơ điện giật.
10. **Chúng tôi luôn khuyến bạn sử dụng nguồn cấp điện qua thiết bị RCD có thể ngắt dòng điện rò định mức 30mA hoặc thấp hơn.**

An toàn Cá nhân

11. **Luôn tinh táo, quan sát những việc bạn đang làm và sử dụng những phán đoán theo kinh nghiệm khi vận hành dụng cụ máy. Không sử dụng dụng cụ máy khi bạn đang mệt mỏi hoặc chịu ảnh hưởng của ma túy, rượu hay thuốc.** Chỉ một khoảnh khắc lơ đãng tập trung khi đang vận hành dụng cụ máy cũng có thể dẫn đến thương tích cá nhân nghiêm trọng.
 12. **Sử dụng thiết bị bảo hộ cá nhân. Luôn đeo thiết bị bảo vệ mắt.** Các thiết bị bảo hộ như mặt nạ chống bụi, giày an toàn chống trượt, mũ bảo hộ hay thiết bị bảo vệ thính giác được sử dụng trong các điều kiện thích hợp sẽ giúp giảm thương tích cá nhân.
 13. **Tránh vô tình khởi động dụng cụ máy. Đảm bảo công tắc ở vị trí off (tắt) trước khi nối nguồn điện và/hoặc bộ pin, cầm hoặc mang dụng cụ máy.** Việc mang dụng cụ máy khi đang đặt ngón tay ở vị trí công tắc hoặc cấp điện cho dụng cụ máy đang bật thường dễ gây ra tai nạn.
 14. **Tháo mọi khóa hoặc chìa vận hành chính trước khi bật dụng cụ máy.** Việc chìa vận hành khóa vẫn còn gắn vào bộ phận quay của dụng cụ máy có thể dẫn đến thương tích cá nhân.
 15. **Không vớ quá cao. Luôn giữ thăng bằng tốt và có chỗ để chân phù hợp.** Điều này cho phép điều khiển dụng cụ máy tốt hơn trong những tình huống bất ngờ.
 16. **Ăn mặc phù hợp. Không mặc quần áo rộng hay đeo đồ trang sức. Giữ tóc, quần áo và găng tay tránh xa các bộ phận chuyển động.** Quần áo rộng, đồ trang sức hay tóc dài có thể mắc vào các bộ phận chuyển động.
 17. **Nếu cần thiết bị được cung cấp để kết nối các thiết bị thu gom và hút bụi, hãy đảm bảo chúng được kết nối và sử dụng hợp lý.** Việc sử dụng thiết bị thu gom bụi có thể làm giảm những mối nguy hiểm liên quan đến bụi.
- ### Sử dụng và bảo quản dụng cụ máy
18. **Không dùng lực đẩy với dụng cụ máy. Sử dụng đúng dụng cụ máy cho công việc của bạn.** Sử dụng đúng dụng cụ máy sẽ giúp thực hiện công việc tốt hơn và an toàn hơn theo giá trị định mức được thiết kế của dụng cụ máy đó.
 19. **Không sử dụng dụng cụ máy nếu công tắc không bật và tắt được dụng cụ máy đó.** Mọi dụng cụ máy không thể điều khiển được bằng công tắc đều rất nguy hiểm và phải được sửa chữa.
 20. **Rút phích cắm ra khỏi nguồn điện và/hoặc ngắt kết nối bộ pin khỏi dụng cụ máy trước khi thực hiện bất kỳ công việc điều chỉnh, thay đổi phụ tùng hay cất giữ dụng cụ máy nào.** Những biện pháp an toàn phòng ngừa này sẽ giảm nguy cơ vô tình khởi động dụng cụ máy.
 21. **Cất giữ các dụng cụ máy không sử dụng ngoài tầm với của trẻ em và không cho bất kỳ người nào không có hiểu biết về dụng cụ máy hoặc các hướng dẫn này vận hành dụng cụ máy.** Dụng cụ máy sẽ rất nguy hiểm nếu được sử dụng bởi những người dùng chưa qua đào tạo.

22. **Bảo quản dụng cụ máy. Kiểm tra tình trạng lịch trực hoặc bố kếp của các bộ phận chuyên động, hiện tượng nứt vỡ của các bộ phận và mọi tình trạng khác mà có thể ảnh hưởng đến hoạt động của dụng cụ máy. Nếu có hỏng hóc, hãy sửa chữa dụng cụ máy trước khi sử dụng.** Nhiều tai nạn xảy ra là do không bảo quản tốt dụng cụ máy.
23. **Luôn giữ cho dụng cụ cắt được sắc bén và sạch sẽ.** Những dụng cụ cắt được bảo quản tốt có mép cắt sắc sẽ ít bị kẹt hơn và dễ điều khiển hơn.
24. **Sử dụng dụng cụ máy, phụ tùng và đầu dụng cụ cắt, v.v... theo các hướng dẫn này, có tính đến điều kiện làm việc và công việc được thực hiện.** Việc sử dụng dụng cụ máy cho các công việc khác với công việc dự định có thể gây nguy hiểm.

Bảo dưỡng

25. **Đề nghị viên sửa chữa đủ trình độ bảo dưỡng dụng cụ máy của bạn và chỉ sử dụng các bộ phận thay thế đồng nhất.** Việc này sẽ đảm bảo duy trì được độ an toàn của dụng cụ máy.
26. **Tuân theo hướng dẫn dành cho việc bôi trơn và thay phụ tùng.**
27. **Giữ tay cầm khô, sạch, không dính dầu và mỡ.**

Cảnh báo an toàn cho cưa xích

1. **Giữ tắt cả các bộ phận của cơ thể tránh xa khỏi xích cưa khi cưa xích đang hoạt động. Trước khi bạn khởi động máy cưa xích, hãy đảm bảo rằng xích cưa không tiếp xúc với bất cứ thứ gì.** Chỉ cần một giây không chú ý khi máy cưa xích hoạt động có thể khiến cho quần áo hay cơ thể của bạn vướng vào xích cưa.
2. **Luôn giữ tay cầm phía sau của máy cưa xích bằng tay phải và tay cầm phía trước bằng tay trái.** Giữ máy cưa xích với hình dáng tay ngược lại làm tăng nguy cơ gây thương tích cá nhân và không bao giờ nên làm điều đó.
3. **Giữ dụng cụ máy chỉ bằng các bề mặt kẹp cách điện, vì xích cưa có thể tiếp xúc với dây dẫn kín hoặc dây của chính nó.** Xích cưa tiếp xúc với dây dẫn "có điện" có thể khiến các bộ phận kim loại bị hở của dụng cụ máy "có điện" và làm cho người vận hành bị điện giật.
4. **Mang kính bảo hộ và thiết bị chống tiếng ồn. Những thiết bị bảo hộ thêm cho đầu, tay, chân và bàn chân cũng được khuyến khích.** Quần áo bảo hộ đầy đủ sẽ giảm thiểu thương tích cá nhân bởi những mảnh vụn bay hay sự tiếp xúc bất ngờ với xích cưa.
5. **Không để máy cưa xích vận hành trên cây.** Vận hành máy cưa xích khi đang ở trên cây có thể dẫn đến thương tích cá nhân.
6. **Luôn giữ đúng chân và chỉ cho máy cưa xích hoạt động khi đứng trên bề mặt cố định, an toàn và cân bằng.** Bề mặt trơn hoặc không chắc chắn như cầu thang có thể gây mất thăng bằng hoặc mất kiểm soát máy cưa xích.
7. **Khi cắt phần rìa trong tình trạng kéo căng, hãy cảnh giác với lò xo bật ngược.** Khi sức nén của các thớ gỗ được giải phóng lò xo chứa phần rìa có thể va đập vào người vận hành và/hoặc làm mất kiểm soát máy cưa xích.

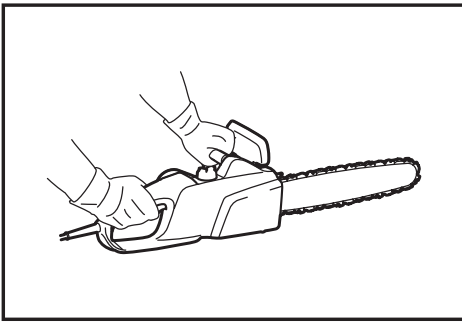
8. **Đặc biệt cẩn trọng khi cắt bụi cây và những cây non.** Các vật liệu có tiết diện nhỏ có thể vướng vào xích cưa và bị quất vào người bạn hoặc khiến bạn mất thăng bằng.
9. **Cầm máy cưa xích bằng tay cầm trước khi máy cưa xích đã tắt và xa cơ thể của bạn. Khi vận chuyển hay cất giữ máy cưa xích, phải luôn gắn chặt vỏ bảo vệ thanh dẫn hướng.** Cầm đứng tư thế máy cưa xích sẽ giảm sự tiếp xúc vô tình xảy ra với xích cưa đang chuyển động.
10. **Tuân theo các hướng dẫn dành cho việc bôi trơn, lực căng dây xích và thay phụ tùng.** Sức nén không thích hợp hay dây xích đã được bôi trơn cũng có thể gây hay tăng nguy cơ của lực đẩy ngược.
11. **Giữ tay cầm khô, sạch, không dính dầu và mỡ.** Tay cầm dính dầu, mỡ dễ trơn trượt gây mất kiểm soát.
12. **Chỉ cắt gỗ.** Không sử dụng máy cưa xích cho những mục đích chưa được dự tính trước. Ví dụ: không sử dụng máy cưa xích để cắt nhựa, gạch đá hoặc các vật liệu xây dựng không phải bằng gỗ. Việc dùng máy cưa xích cho các công việc khác với công việc dự định có thể gây nguy hiểm.
13. **Nguyên nhân và cách ngăn ngừa hiện tượng bật ngược cho người vận hành:**

Lực đẩy ngược có thể xảy ra khi mũi hoặc đầu thanh dẫn hướng va chạm vào một vật, hoặc khi phần gỗ ở gần và kẹp xích cưa tại vết cắt. Tiếp xúc đầu mũi trong một vài trường hợp có thể gây ra phản ứng ngược bất ngờ, đẩy thanh dẫn hướng lên và bật ngược về hướng người vận hành.

Kẹp chặt xích cưa dọc theo phần đầu của thanh dẫn hướng có thể đẩy nhanh thanh dẫn hướng về phía người vận hành.

Một trong những phản ứng này có thể khiến cho bạn mất kiểm soát máy cưa và có thể dẫn đến thương tích cá nhân nghiêm trọng. Đừng chỉ dựa vào những thiết bị an toàn được gắn vào trong máy cưa. Là một người sử dụng máy cưa xích, bạn nên tiến hành nhiều bước để giữ cho công việc cắt không bị tai nạn hoặc chấn thương. Hiện tượng bật ngược lại là do sử dụng dụng cụ không đúng và/hoặc do các quy trình hoặc tình trạng vận hành không chính xác và có thể tránh được bằng cách thực hiện các biện pháp phòng ngừa thích hợp như được nêu dưới đây:

- **Duy trì việc giữ chặt máy cưa, với ngón tay cái và các ngón tay bao quanh tay cầm của máy cưa xích, cả hai tay nắm máy cưa và vị trí cơ thể và cánh tay của bạn để giúp bạn chịu đựng được lực đẩy ngược.** Người vận hành có thể kiểm soát được lực đẩy ngược, nếu thực hiện các biện pháp phòng ngừa thích hợp. Không được buông máy cưa xích.



- **Không cắt quá cao và không cắt quá chiều cao vai.** Điều này giúp ngăn chặn vô ý tiếp xúc đầu mũi và cho phép kiểm soát máy cưa xích tốt hơn trong những trường hợp không mong muốn xảy ra.
- **Chỉ sử dụng những thanh dẫn và dây xích thay thế do nhà sản xuất quy định.** Việc thay thế thanh dẫn và dây xích không đúng có thể làm gãy dây xích và/hoặc bật ngược lại.
- **Tuân theo dõi các chỉ dẫn bảo trì và mài xích cưa của nhà sản xuất.** Giảm chiều cao thanh đo sâu có thể dẫn đến hiện tượng bật ngược gia tăng.

CÁC QUY ĐỊNH AN TOÀN BỔ SUNG

1. Đọc tài liệu hướng dẫn để làm quen với việc vận hành cưa xích.
2. Trước khi sử dụng cưa xích lần đầu tiên, hãy sắp xếp để thực hiện theo các hướng dẫn trong vận hành. Nếu không thể thực hiện việc này, ít nhất hãy thực hành cắt gỗ tròn trên giá đỡ trước khi bắt đầu công việc.
3. Trẻ em hoặc thanh thiếu niên dưới 18 tuổi không được sử dụng cưa xích này. Thanh thiếu niên trên 16 tuổi có thể được miễn hạn chế này nếu được đào tạo dưới sự giám sát của chuyên gia.
4. Làm việc với cưa xích đòi hỏi mức độ tập trung cao. Không làm việc với cưa nếu bạn không cảm thấy thích hợp và khỏe. Thực hiện tất cả công việc một cách bình tĩnh và cẩn thận.
5. Tuyệt đối không làm việc khi chịu ảnh hưởng của rượu, ma túy hay thuốc.

Sử dụng đúng cách

1. Máy cưa xích này chỉ dùng để cắt gỗ. Không sử dụng cưa ví dụ như để cắt nhựa hoặc bê tông thấm tiêu.
2. Chỉ sử dụng cưa xích cho các hoạt động được mô tả trong tài liệu hướng dẫn này. Ví dụ, **không** sử dụng cưa để cắt hàng rào hoặc cho các mục đích tương tự.
3. Không được sử dụng cưa xích cho công việc lâm nghiệp, tức là để đốn hạ và chặt gỗ đứng. Cáp cưa xích không mang lại cho người vận hành tính cơ động và an toàn cần thiết cho công việc đó.
4. Cưa xích không dùng cho mục đích thương mại.
5. Không làm quá tải cưa xích.

Thiết bị bảo hộ cá nhân

1. Quần áo phải vừa khít, nhưng không được cản trở tính cơ động.
2. Mặc quần áo bảo hộ sau đây trong quá trình làm việc:
 - Mũ bảo hộ đã được kiểm tra, nếu xuất hiện nguy hiểm do các nhánh cây rơi hoặc tương tự;
 - Mặt nạ hoặc kính bảo hộ;
 - Thiết bị bảo vệ tai thích hợp (đồ chụp tai, nút tai tùy chỉnh hoặc có thể gắn được). Phân tích chỉ số octan theo yêu cầu.
 - Găng tay bảo hộ bằng da chắc chắn;
 - Quần dài được sản xuất từ vải bền;
 - Quần yếm bảo hộ làm từ vải chống cắt;
 - Giày bảo hộ hoặc giày ống có đế chống trượt, thép bảo vệ ngón chân và lớp lót bằng vải chống cắt;
 - Mặt nạ hô hấp, khi thực hiện công việc tạo ra bụi (ví dụ như cưa gỗ khô).

Bảo vệ chống điện giật



Không được sử dụng cưa xích trong thời tiết ẩm ướt hoặc môi trường ẩm, vì động cơ điện không chống thấm nước.

1. Chỉ cắm cưa vào ổ cắm trong các mạch điện được thử nghiệm. Kiểm tra để đảm bảo điện áp hệ thống phù hợp với điện áp trên bảng ghi thông số kỹ thuật. Đảm bảo lắp cầu chì dòng điện 16 A. Cưa sử dụng ngoài trời phải được kết nối với bộ ngắt mạch chống dòng rò với dòng điện hoạt động không cao hơn 30 mA.



Nếu cáp kết nối bị hỏng, hãy rút phích cắm nguồn điện chính ngay lập tức.

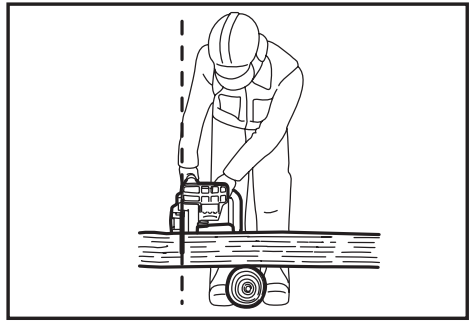
Thói quen làm việc an toàn

1. Trước khi bắt đầu công việc, kiểm tra lưỡi cưa xích nằm trong vị trí làm việc thích hợp và tình trạng của nó tuân theo các quy định an toàn. Kiểm tra cụ thể là:
 - Phanh của dây xích đang hoạt động đúng cách;
 - Phanh ngã đang hoạt động đúng cách;
 - Vỏ bảo vệ đĩa xích và thanh dẫn vừa khít với nhau;
 - Dây xích đã được mài sắc và kéo căng theo đúng quy định;
 - Cấp nguồn điện chính và phích cắm nguồn điện chính không bị hư hại;

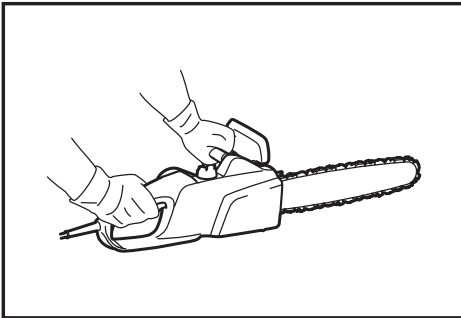
Tham khảo phần "KIỂM TRA".

2. Luôn đảm bảo đặc biệt rằng cáp nối dài được sử dụng có mặt cắt ngang phù hợp (xem "THÔNG SỐ KỸ THUẬT"). Khi sử dụng ống quần dây cáp, cuộn dây cáp hoàn toàn khỏi ống quần. Khi sử dụng cưa ngoài trời, đảm bảo cáp sử dụng được dành cho sử dụng ngoài trời và được đánh giá phù hợp.
3. Giữ dây cách xa khỏi khu vực cắt và đến vị trí đầy sao cho không bị kẹt vào nhánh cây và tương tự, trong quá trình cắt.

4. Không vận hành cưa xích gần bụi hoặc khí dễ cháy, vì động cơ tạo ra tia lửa và gây **nguy cơ cháy nổ**.
5. Chỉ làm việc trên mặt đất vững chắc và với chỗ để chân tốt. Đặc biệt chú ý đến các chướng ngại vật (ví dụ như cáp) trong khu vực làm việc. Đặc biệt cẩn thận khi độ ẩm, băng, tuyết, gỗ hoặc vỏ cây mới cắt có thể khiến bề mặt trơn trượt. Không đứng trên thang hoặc cây khi sử dụng cưa.
6. Đặc biệt cẩn thận khi làm việc trên mặt đất nghiêng; thân cây và nhánh cây lân cận chứa nguy hiểm tiềm ẩn.
7. Tuyệt đối không cắt quá chiều cao vai.
8. **Giữ cưa xích bằng hai tay khi bật cưa và sử dụng.** Giữ tay cầm phía sau bằng tay phải và tay cầm phía trước bằng tay trái. Cầm chắc tay cầm bằng ngón cái của bạn. Thanh dẫn hướng và dây xích không được tiếp xúc với bất kỳ vật thể nào khi bật cưa.



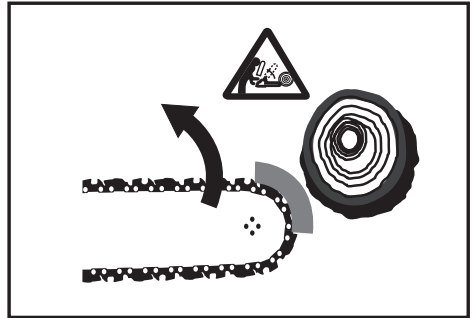
17. Khi di chuyển xung quanh giữa các thao tác cưa, sử dụng phanh của dây xích để ngăn xích vô ý vận hành. Giữ cưa xích bằng tay cầm phía trước khi di chuyển cưa và không để ngón tay của bạn trên công tắc.
18. Rút phích cắm nguồn điện chính khi nghỉ giải lao hoặc rời khỏi cưa xích mà không giám sát. Để cưa xích ở nơi cưa không thể gây nguy hiểm.



9. Vệ sinh khu vực cần cắt khỏi các vật lạ như cát, đá, đinh, dây, v.v... Các vật lạ sẽ làm hỏng thanh và xích, có thể dẫn đến bật ngược nguy hiểm.
10. Đặc biệt cẩn thận khi cắt gần các hàng rào kim loại. Không cắt vào hàng rào, vì cưa có thể bật ngược.
11. Không cắt xuống đất.
12. Cắt từng mảnh gỗ, không cắt theo bó hoặc chông.
13. Tránh sử dụng cưa để cắt các nhánh cây và rễ mỏng, vì chúng có thể bị vướng vào cưa xích. Mất thăng bằng sẽ gây ra nguy hiểm.
14. Sử dụng trụ đỡ an toàn (giá đỡ) khi cắt gỗ xẻ.
15. Không sử dụng cưa xích để cạy hoặc quét các mẫu gỗ và các vật thể khác.
16. Dẫn hướng cưa xích sao cho không có bộ phận nào trên cơ thể bạn nằm trong đường đi mở rộng của xích cưa (xem hình).

Hiện tượng bật ngược

1. Hiện tượng bật ngược nguy hiểm có thể phát sinh trong quá trình làm việc với cưa xích. Hiện tượng bật ngược phát sinh khi đầu của thanh (đặc biệt là phần một phần tư phía trên) tiếp xúc với gỗ hoặc vật thể rắn khác. Điều này khiến cưa xích bị lệch theo hướng của người vận hành.



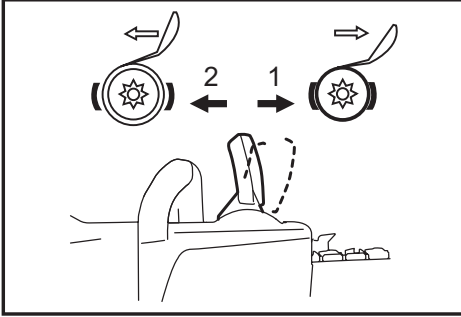
2. Để tránh hiện tượng bật ngược, hãy tuân thủ những điều sau đây:
 - Tuyệt đối không bắt đầu cắt với đầu thanh.
 - Tuyệt đối không sử dụng đầu thanh để cắt. Đặc biệt cẩn thận khi tiếp tục các vết cắt đã được bắt đầu.
 - Bắt đầu cắt khi xích đang chạy.
 - Luôn mài sắc xích đúng cách. Đặc biệt, đặt thanh đo sâu đến độ cao chính xác.
 - Tuyệt đối không cưa qua nhiều nhánh cây cùng lúc.
 - Khi chặt, hãy cẩn thận để ngăn thanh tiếp xúc với các nhánh cây khác.
 - Khi xô, hãy tránh xa các thân cây liền kề. Luôn quan sát đầu thanh.
 - Sử dụng giá đỡ.

Các tính năng an toàn

1. Luôn kiểm tra để đảm bảo các tính năng an toàn hoạt động tốt trước khi bắt đầu công việc. Không sử dụng cửa xích nếu các tính năng an toàn không hoạt động đúng cách.

— Phanh của dây xích:

Cửa xích được trang bị phanh của dây xích giúp xích cửa dừng lại chỉ trong một phần của một giây. Phanh xích được kích hoạt khi phần bảo vệ tay được đẩy về phía trước. Sau đó xích cửa dừng lại trong vòng 0,15 giây và nguồn cấp điện cho động cơ bị gián đoạn.



1. Đã sử dụng phanh của dây xích 2. Đã nhả phanh của dây xích

— Phanh ngã:

Cửa xích được trang bị phanh ngã giúp xích cửa dừng lại ngay lập tức khi nhà công tác **BẬT/TẮT**. Điều này ngăn xích cửa chạy khi tắt, do đó gây ra nguy hiểm.

- Phần **bảo vệ tay phía trước và phía sau** bảo vệ người dùng khỏi thương tích từ các mẫu gỗ có thể bị ném về phía sau hoặc xích cửa bị vỡ.
- Việc **khóa cần khởi động** sẽ ngăn cửa xích vô tình được bật.
- **Chốt cài dây xích** bảo vệ người dùng khỏi thương tích nếu xích bật lên hoặc vỡ.

Vận chuyển và bảo quản



Khi không sử dụng hoặc đang vận chuyển cửa xích, hãy rút phích cắm nguồn điện chính và lắp vỏ bảo vệ thanh dẫn hướng được cung cấp kèm theo cửa. Tuyệt đối không mang hoặc vận chuyển cửa xích cửa đang chạy.

1. Chỉ mang cửa xích bằng tay cầm phía trước, với thanh chỉ về phía sau.
2. Giữ cửa xích trong phòng an toàn, khô ráo và có khóa ngoài tầm với của trẻ em. Không cất giữ cửa xích ngoài trời.

BẢO TRÌ

1. Rút phích cắm khỏi ổ cắm trước khi thực hiện bất kỳ điều chỉnh hoặc bảo trì này.
2. Kiểm tra cấp điện thường xuyên để xem có hư hỏng nào đối với lớp cách điện không.
3. Vệ sinh cửa xích thường xuyên.
4. Thực hiện sửa chữa bất kỳ hư hỏng nào đối với vỏ nhựa đúng cách và ngay lập tức.

5. Không sử dụng cửa nếu cần khởi động công tắc không hoạt động đúng cách. Thực hiện sửa chữa đúng cách.
6. Trong bất kỳ trường hợp nào cũng không nên thực hiện sửa đổi gì đối với cửa xích. Sự an toàn của bạn sẽ gặp rủi ro.
7. Không thực hiện công việc bảo trì hoặc sửa chữa khác ngoài công việc được mô tả trong tài liệu hướng dẫn này. Bất kỳ công việc nào khác cũng phải do trung tâm dịch vụ được ủy quyền thực hiện.
8. Chỉ sử dụng các phụ tùng và phụ kiện thay thế chính hãng dành cho kiểu cửa của bạn. Sử dụng các phụ tùng khác sẽ làm tăng nguy cơ tai nạn.
9. Chúng tôi không chịu trách nhiệm về các tai nạn hoặc thiệt hại nếu sử dụng các thanh, xích cửa hoặc phụ tùng hay phụ kiện thay thế khác không được chấp nhận phù hợp.

Sơ cứu



Không làm việc một mình. Luôn làm việc trong khoảng cách ngắn từ người thứ hai.

1. Luôn giữ hộp sơ cứu trong tầm tay. Thay thế bất kỳ vật dụng nào lấy ra từ dụng cụ ngay lập tức.
2. Nếu bạn yêu cầu hỗ trợ trong trường hợp xảy ra tai nạn, hãy nêu những điều sau đây:
 - Tai nạn đã xảy ra ở đâu?
 - Chuyện gì đã xảy ra?
 - Có bao nhiêu người bị thương?
 - Họ bị những thương tích gì?
 - Ai đang báo cáo vụ tai nạn?

LƯU Ý: Cá nhân mắc phải bệnh tuần hoàn máu kém nếu tiếp xúc với rung động quá mức có thể gây tổn thương mạch máu hay hệ thần kinh.

Rung động có thể gây ra các triệu chứng xảy ra ở ngón tay, bàn tay hoặc cổ tay sau đây: "Buồn ngủ" (tình trạng tê cứng), ngứa, đau, cảm giác bị kim châm, thay đổi màu da hoặc da.

Nếu các triệu chứng này xảy ra, hãy tới bác sĩ!

LƯU GIỮ CÁC HƯỚNG DẪN NÀY.

⚠ CẢNH BÁO: KHÔNG vì đã thoải mái hay quen thuộc với sản phẩm (có được do sử dụng nhiều lần) mà không tuân thủ nghiêm ngặt các quy định về an toàn dành cho sản phẩm này. **VIỆC DÙNG SAI** hoặc không tuân theo các quy định về an toàn được nêu trong tài liệu hướng dẫn này có thể dẫn đến thương tích cá nhân nghiêm trọng.

KÝ HIỆU CỦA CÁC PHỤ TÙNG

► Hình1

1	Tay cầm phía sau	7	Xích cưa	13	Thanh đệm đỉnh
2	Cần khởi động công tắc	8	Cần gạt	14	Nút nhả khóa
3	Nắp châm dầu	9	Vỏ bảo vệ đĩa xích	15	Chốt cài dây xích
4	Tay cầm phía trước	10	Đĩa điều chỉnh	16	Vỏ bảo vệ thanh dẫn hướng
5	Phần bảo vệ tay phía trước	11	Phần bảo vệ tay phía sau	17	Móc dây
6	Thanh dẫn hướng	12	Máy ngấm mức dầu	18	Vít điều chỉnh đối với máy bơm dầu (ở đáy)

LẮP RÁP

⚠ THẬN TRỌNG:

- Luôn đảm bảo rằng dụng cụ đã được tắt và tháo phích cắm trước khi dùng dụng cụ thực hiện bất cứ công việc nào.

Tháo hoặc lắp xích cưa

⚠ THẬN TRỌNG:

- Luôn mang găng tay khi lắp hoặc tháo xích cưa.

Để tháo xích cưa, hãy thực hiện các bước sau:

1. Nhấn và mở cần gạt hoàn toàn cho đến khi nó dừng lại.

► **Hình2:** 1. Cần gạt 2. Vỏ bảo vệ đĩa xích

2. Xoay cần gạt ngược chiều kim đồng hồ để rời lỏng vỏ bảo vệ đĩa xích cho đến khi vỏ bảo vệ đĩa xích rơi ra.
3. Xoay đĩa điều chỉnh đến hướng “-” để nhả bớt lực căng xích cưa.

► **Hình3:** 1. Đĩa điều chỉnh

4. Tháo vỏ bảo vệ đĩa xích.

5. Tháo xích cưa và thanh dẫn hướng khỏi cưa xích. Để lắp xích cưa, hãy thực hiện các bước sau:

6. Đảm bảo hướng của dây xích. Dấu mũi tên trên dây xích cho biết hướng của dây xích.

► **Hình4:** 1. Đĩa xích

7. Lắp một đầu của xích cưa lên đỉnh của thanh dẫn hướng và đầu còn lại của thanh dẫn quanh đĩa xích.

8. Để thanh dẫn hướng vào đúng vị trí trên máy cưa xích.

9. Căn chỉnh thanh trượt căng với lỗ của thanh dẫn hướng.

► **Hình5:** 1. Thanh dẫn hướng 2. Lỗ

10. Giữ thanh dẫn hướng và xoay đĩa điều chỉnh sang hướng “+” để điều chỉnh lực căng xích cưa.

11. Đặt vỏ bảo vệ đĩa xích sao cho móc treo khớp theo các lỗ và chốt khớp với phần tương ứng trên vỏ bảo vệ đĩa xích.

► **Hình6:** 1. Móc treo 2. Lỗ 3. Chốt

12. Xoáy cần gạt theo chiều kim đồng hồ để cố định vỏ bảo vệ đĩa xích.

► **Hình7**

13. Nhấn và trả cần gạt về vị trí ban đầu của cần.

Điều chỉnh lực căng xích cưa

Xích cưa có thể trở nên lỏng lẻo sau nhiều giờ sử dụng. Thỉnh thoảng kiểm tra lực căng xích cưa trước khi sử dụng.

1. Nhấn và hoàn toàn mở cần kẹp cho đến khi nó kêu lạch cách. Xoay nó ngược chiều kim đồng hồ một chút để nhẹ nhàng rời lỏng vỏ bảo vệ đĩa xích.

► **Hình8:** 1. Cần gạt 2. Vỏ bảo vệ đĩa xích

2. Nhấc đầu thanh dẫn hướng lên một chút.

► **Hình9:** 1. Nới lỏng 2. Vận chặt 3. Đĩa điều chỉnh 4. Thanh dẫn hướng 5. Xích cưa

3. Xoay đĩa hiệu chỉnh để điều chỉnh lực căng xích cưa. Vận chặt xích cưa cho đến khi bên thấp hơn của xích cưa vừa khít với ray của thanh dẫn hướng (xem hình tròn).

4. Tiếp tục cầm thanh dẫn hướng nhẹ nhàng, vận chặt vỏ bảo vệ đĩa xích sau khi điều chỉnh lực căng xích. Đảm bảo xích cưa không bị lỏng ở bên thấp hơn.

5. Nhấn và trả cần gạt về vị trí ban đầu của cần.

► **Hình10:** 1. Cần gạt 2. Vỏ bảo vệ đĩa xích

Đảm bảo xích cưa vừa khít với bên thấp hơn của thanh dẫn.

⚠ THẬN TRỌNG:

- Không vận chặt xích cưa quá mức. Lực căng của xích cưa quá cao có thể làm đứt xích cưa, làm mòn thanh dẫn hướng và hỏng đĩa hiệu chỉnh.
- Dây xích quá lỏng có thể rơi ra khỏi thanh dẫn hướng do đó có thể gây nguy cơ tai nạn.
- Tiến hành quy trình lắp đặt hoặc tháo xích cưa ở nơi thoáng mát không có bụi bẩn và những nơi tương tự.

Móc dây điện nổi dài

⚠️ THẬN TRỌNG:

- Đảm bảo rằng đã cắm dây điện nổi dài vào ổ cắm điện chính.

► **Hình11:** 1. Móc dây 2. Dây điện của dụng cụ 3. Dây điện nổi dài 4. Phích cắm và ổ cắm (hình dạng có thể khác nhau tùy theo từng quốc gia)

Khi móc dây điện nổi dài, cố định dây điện vào dây điện của cửa xích bằng móc dây.

Gắn móc dây khoảng 100 - 200 mm từ đầu nổi dây điện nổi dài. Điều này sẽ giúp ngăn việc ngắt kết nối vô ý.

VẬN HÀNH

Hoạt động công tắc

► **Hình12:** 1. Nút nhả khóa 2. Cần khởi động công tắc

⚠️ THẬN TRỌNG:

- Luôn bảo đảm rằng dụng cụ được tắt điện và rút phích cắm trước khi kiểm tra chức năng trên cần khởi động công tắc.
- Trước khi cắm điện vào dụng cụ, luôn kiểm tra xem cần khởi động công tắc có hoạt động bình thường hay không và trả về vị trí "TẮT" khi nhà ra.

► **Hình13**

LƯU Ý:

- Không bật và tắt quá thường xuyên trong thời gian ngắn (năm giây trở xuống). Nhiệt độ bên trong dụng cụ sẽ tăng và có thể làm hỏng dụng cụ. Thời gian thay đổi theo nhiệt độ không khí và các điều kiện khác.

Để ngăn ngừa vô tình kéo cần khởi động công tắc, dụng cụ được trang bị một nút nhả khóa.

Để khởi động dụng cụ, nhả nút nhả khóa và kéo cần khởi động công tắc. Nhà cần khởi động công tắc ra để dừng.

Tra dầu mỡ

⚠️ THẬN TRỌNG:

- Luôn đảm bảo rằng dụng cụ này đã được tắt và rút phích cắm trước khi bôi trơn xích cửa.

► **Hình14**

Bôi trơn xích cửa và thanh bằng cách sử dụng dầu xích cửa có thể phân hủy sinh học với chất kết dính. Chất kết dính trong dầu xích cửa ngăn dầu văng ra khỏi cửa nhanh quá mức. Không được sử dụng dầu khoáng, vì chúng có hại cho môi trường.

⚠️ THẬN TRỌNG:

- Ngăn đầu tiếp xúc với da và mắt. Tiếp xúc với mắt sẽ gây kích ứng. Trong trường hợp tiếp xúc với mắt, rửa mắt bị ảnh hưởng ngay lập tức bằng nước sạch, sau đó tham khảo ý kiến bác sĩ ngay.
- Tuyệt đối không sử dụng dầu thải. Dầu thải chứa các chất gây ung thư. Các chất gây ô nhiễm trong dầu thải gây ra sự hao mòn nhanh chóng cho máy bơm dầu, thanh và xích. Dầu thải có hại cho môi trường.
- Khi đổ đầy dầu xích cho cửa xích lần đầu tiên, hoặc đổ đầy lại bình sau khi đã sử dụng hết hoàn toàn, hãy thêm dầu lên đến cạnh đáy của cổ bình lọc. Nếu không, việc cung cấp dầu có thể bị ảnh hưởng.

► **Hình15:** 1. Nắp châm dầu 2. Dãi dây

Để đổ đầy dầu, hãy thực hiện các bước sau đây:

1. Vệ sinh khu vực xung quanh nắp châm dầu kỹ lưỡng để tránh bụi bẩn xâm nhập vào bình chứa dầu.
2. Tháo nắp châm dầu và thêm dầu lên đến cạnh phía dưới của cổ bình lọc.
3. Vặn chặt nắp châm dầu lại vào đúng vị trí.
4. Lau sạch bất kỳ dầu xích bị tràn nào một cách cẩn thận.

LƯU Ý:

- Khi cửa xích được sử dụng lần đầu tiên, có thể mất đến hai phút để dầu xích cửa bắt đầu tác dụng bôi trơn trên cơ cấu cửa. Vận hành cửa không tải cho đến khi cửa làm như vậy (xem "KIỂM TRA").

KIỂM TRA

Trước khi bắt đầu công việc, hãy thực hiện các kiểm tra sau đây:

Kiểm tra lực căng dây xích

⚠️ CẢNH BÁO:

- Luôn rút phích cắm nguồn điện chính trước khi kiểm tra lực căng dây xích và đeo găng tay bảo hộ.

► **Hình16:** 1. Nói lỏng 2. Vặn chặt 3. Đĩa điều chỉnh 4. Thanh dẫn hướng 5. Xích cửa

Đảm bảo xích cửa vừa khít với bên thấp hơn của thanh (xem hình tròn).

Kiểm tra lực căng dây xích thường xuyên, vì các xích mới có thể kéo dài ra.

Lực căng của xích cửa quá cao có thể làm đứt xích cửa, làm mòn thanh dẫn hướng và hỏng đĩa hiệu chỉnh. Dây xích quá lỏng có thể rớt ra khỏi thanh dẫn hướng do đó có thể gây nguy cơ tai nạn.

Nếu xích quá lỏng: Tham khảo phần có tiêu đề "Điều chỉnh lực căng xích cửa" và điều chỉnh lại lực căng xích cửa.

Kiểm tra hoạt động công tắc

⚠ THẬN TRỌNG: Trước khi cắm điện vào dụng cụ, luôn kiểm tra xem cần khởi động công tắc có hoạt động bình thường hay không và trả về vị trí "TẮT" khi nhả ra.

Để ngăn ngừa vô tình kéo cần khởi động công tắc, dụng cụ được trang bị một nút nhả khóa.

Để khởi động dụng cụ, nhấn nút nhả khóa và kéo cần khởi động công tắc. Nhả cần khởi động công tắc ra để dừng.

Không được kéo cần khởi động công tắc mà không nhấn nút nhả khóa. Điều này có thể gây hỏng công tắc.

Kiểm tra phanh của dây xích

LƯU Ý:

- Nếu cửa xích không thể khởi động, hãy kiểm tra xem phanh của dây xích có được nhả không. Để nhả phanh của dây xích, kéo phần bảo vệ tay về phía sau thật chắc cho đến khi bạn cảm thấy phần bảo vệ vào khớp.

► **Hình17:** 1. Phần bảo vệ tay phía trước 2. Khóa 3. Mỏ khóa

► **Hình18:** 1. Phần bảo vệ tay phía trước 2. Khóa 3. Mỏ khóa

Kiểm tra phanh của dây xích như sau:

- Giữ máy cửa xích bằng hai tay khi bật máy. Giữ tay cầm phía sau bằng tay phải, tay cầm trước bằng tay trái. Đảm bảo rằng thanh và xích không tiếp xúc với bất kỳ vật thể nào.
- Đầu tiên nhấn cần nhả khóa, sau đó là cần khởi động công tắc. Xích cửa khởi động ngay lập tức.
- Nhấn phần bảo vệ tay phía trước về phía trước bằng mu bàn tay của bạn. Đảm bảo rằng xích cửa dừng lại ngay lập tức.

⚠ THẬN TRỌNG:

- Nếu xích cửa không dừng lại ngay lập tức, không sử dụng cửa trong mọi trường hợp. Tham khảo ý kiến của các trung tâm dịch vụ được ủy quyền của Makita.

Kiểm tra thắng chạy xuống

Bật cửa xích.

Nhả cần khởi động công tắc hoàn toàn. Đảm bảo xích cửa dừng lại trong vòng một giây.

⚠ THẬN TRỌNG:

- Nếu xích cửa không dừng lại ngay lập tức, không sử dụng cửa trong mọi trường hợp. Tham khảo ý kiến của các trung tâm dịch vụ được ủy quyền của Makita.

Kiểm tra thiết bị bơm dầu của dây xích

Trước khi bắt đầu công việc, kiểm tra mức dầu trong bình chứa và việc phân phối dầu.

Mức dầu có thể được nhìn thấy trong máy ngắm mức dầu được thể hiện trong hình.

► **Hình19:** 1. Máy ngắm mức dầu

Kiểm tra việc phân phối dầu như sau:

Khởi động cửa xích.

Khí cửa chạy, giữ xích cửa phía trên thân cây hoặc mặt đất khoảng 15 cm. Nếu bôi trơn phù hợp, bình phun dầu sẽ tạo ra vết dầu nhẹ.

Quan sát hướng gió và không tiếp xúc với bình phun dầu nếu không cần thiết.

⚠ THẬN TRỌNG:

- Nếu không hình thành vết dầu, không sử dụng cửa. Nếu không tuổi thọ của xích sẽ giảm. Kiểm tra mức dầu. Vệ sinh rãnh cấp dầu và lỗ cấp dầu trong thanh (tham khảo "BẢO DƯỠNG").

Điều chỉnh tra dầu mỡ dây xích

► Hình20

Bạn có thể điều chỉnh mức độ cung cấp của máy bơm dầu bằng cách điều chỉnh trục vít.

⚠ THẬN TRỌNG:

- Luôn sử dụng tay cầm phía trước và tay cầm phía sau và giữ chặt dụng cụ bằng cả tay cầm phía trước và tay cầm phía sau trong quá trình vận hành.
- Luôn cố định gỗ cần cắt, nếu không các mảnh bị cắt có thể gây thương tích cá nhân.

LÀM VIỆC VỚI MÁY CỬA XÍCH

Nghiền quặng

► **Hình21:** 1. Thanh đệm đỉnh

Đối với các vết cắt nghiền quặng, chừa lại các thanh đệm đỉnh thể hiện trong hình trên gỗ cần cắt.

Khí xích cửa đang chạy, cửa vào gỗ, sử dụng tay cầm phía sau để nâng cửa và tay cầm phía trước để dẫn hướng cửa. Sử dụng thanh đệm đỉnh như là một trục xoay.

Tiếp tục cắt bằng cách áp một lực nén nhẹ lên tay cầm trước, nới lỏng lưới cửa một chút. Di chuyển thanh đệm đỉnh xuống sâu vào phần gỗ và nâng tay cầm trước lên lần nữa.

Sau khi tạo nhiều vết cắt, tắt máy cửa xích giữa những nhát cắt.

⚠ THẬN TRỌNG:

- Nếu phần cạnh trên của thanh dẫn được dùng cho việc cắt, máy cửa xích có thể bị chệch hướng của bạn nếu dây xích bị mắc kẹt. Vì lý do này, đồn phần cạnh dưới trước, để mà máy cửa sẽ không bị chệch hướng khỏi người bạn.

► **Hình22**

Cắt gỗ dưới lực căng ở bên được nén (A) trước. Sau đó cắt nhát cuối cùng ở bên được kéo căng (B). Điều này ngăn cho thanh dẫn hướng không bị mắc kẹt.

► **Hình23**

Ria

⚠ THẬN TRỌNG:

- Chỉ những người lành nghề mới thực hiện được phần ria. Nguy cơ bật ngược có thể gây ra nguy hiểm.

Khi cắt rìa, đặt máy cưa xích trên thân cây nếu có thể. Không cắt bằng phần đầu của thanh, vì điều này sẽ gây nguy cơ bật ngược.

Đặc biệt chú ý đến các nhánh cây bị căng. Không cắt những nhánh chưa được hỗ trợ từ phía dưới. Không đứng trên những thân cầu bị đốn ngã khi cắt phần rìa.

Đào và cắt song-song-với-thớ-gỗ

⚠ THẬN TRỌNG:

- Đào và cắt song-song-với-thớ-gỗ có thể chỉ được tiến hành bởi người được đào tạo chuyên nghiệp. Khả năng xuất hiện lực bật ngược có thể gây nguy cơ chấn thương.

► Hình 24

Thực hiện cắt song-song-với-thớ-gỗ ở những góc càng nông càng tốt. Tiến hành cắt càng cẩn thận càng tốt, vì không thể sử dụng thanh đệm đỉnh.

Đốn hạ cây

⚠ THẬN TRỌNG:

- Công việc đốn hạ cây chỉ được thực hiện bởi những người lành nghề. Công việc rất nguy hiểm.

Quan sát quy định khu vực nếu bạn muốn đốn hạ một cái cây.

- Trước khi đốn hạ cây, phải đảm bảo rằng:
 - Chỉ những người có liên quan đến công việc đốn hạ cây mới được tiếp cận;
 - Bất kỳ người nào có liên quan có đường cắt không bị ngăn trở thông qua phạm vi khoảng 45 ° ở mỗi bên của trục đốn cây. Cần nhắc những rủi ro vướng dây cáp điện có thể xảy ra;
 - Gốc thân cây không có ngoại vật, rễ cây hay nông trại;
 - Không người hay vật thể nào có mặt trong khoảng cách dài 2 1/2 thân cây trong hướng nơi mà cây sẽ ngã.

► Hình 25: 1. Khu vực đốn hạ cây

- Cần nhắc chú ý từng cái cây theo những điều sau đây:
 - Hướng nghiêng;
 - Những nhánh cây lỏng hoặc khô;
 - Chiều cao của cây;
 - Những phần nhỏ ra tự nhiên;
 - Dù cho cây có bị mục nát hay không.
- Cần nhắc tốc độ gió và hướng. Không tiến hành công việc đốn hạ nếu gió thổi giật mạnh.
- Cắt tỉa phần rễ phình lên: Bắt đầu với những chỗ phình lớn nhất. Cắt dọc trước, sau đó cắt ngang.
- Cắt mối ghép: Mỗi ghép quyết định hướng nơi cây sẽ ngã, và hướng vào nó. Nó được làm trên phần bên hướng về nơi cây ngã. Cắt mối ghép càng gần với mặt đất càng tốt. Đầu tiên cắt dọc đến độ sâu 1/5-1/3 đường kính thân cây. Không để các mối ghép quá lớn. Sau đó cắt chéo.

► Hình 26

- Cắt bất kỳ chính sửa nào đối với mối ghép trên toàn bộ chiều rộng của nó.

- Phần cắt lưng cao hơn phần cắt để mối ghép. Phần cắt lưng phải chính xác theo chiều dọc. Bỏ chính xác 1/10 đường kính thân cây giữa phần cắt lưng và mối ghép. Những thớ gỗ trong khúc thân cây chưa cắt giống như là một bản lề. Không cắt ngay qua những thớ gỗ trong bất kỳ trường hợp nào, vì nếu không cây sẽ đổ ngoài tầm kiểm soát. Thêm cái chêm vào phần cắt lưng đúng lúc.

► Hình 27

- Chỉ nhựa và chêm nhôm có thể được sử dụng để giữ phần cắt lưng mở ra. Cấm sử dụng chêm sắt.
- Đứng theo chiều cây ngã. Giữ cho khu vực sạch sẽ để phía sau cây đổ có góc 45 ° mỗi bên trục của cây (tham khảo hình "khu vực đốn hạ"). Chú ý những nhánh cây ngã.
- Lối thoát nên được vạch ra trước và rõ ràng khi cần thiết trước khi việc đốn hạ bắt đầu. Lối thoát nên được mở rộng ra và chéo theo đường ngã đã dự tính phía sau như con số minh họa.

► Hình 28: 1. Hướng đốn hạ 2. Khu vực nguy hiểm 3. Lối thoát

BẢO TRÌ

⚠ THẬN TRỌNG:

- Luôn bảo đảm rằng dụng cụ được tắt điện và rút phích cắm trước khi thử thực hiện việc kiểm tra hoặc bảo trì.
- Mang găng tay khi thực hiện kiểm tra hoặc bảo dưỡng.
- Không bao giờ dùng xăng, ét xăng, dung môi, cồn hoặc hóa chất tương tự. Có thể xảy ra hiện tượng mất màu, biến dạng hoặc nứt vỡ.

Thực hiện các công việc bảo trì được mô tả bên dưới định kỳ. Các tuyên bố về bảo hành sẽ chỉ được chấp nhận nếu những tác tác này được thực hiện thường xuyên và đúng cách.

Chỉ có công việc bảo trì được mô tả trong tài liệu hướng dẫn này mới có thể do người dùng thực hiện. Bất kỳ công việc nào khác cũng phải do trung tâm dịch vụ được ủy quyền của MAKITA tiến hành.

Vệ sinh cưa xích

Vệ sinh cưa thường xuyên bằng giẻ sạch. Đặc biệt, các tay cầm phải được giữ không dính dầu.

Kiểm tra vỏ nhựa

Thực hiện kiểm tra trực quan thường xuyên đối với tất cả các bộ phận của vỏ. Nếu bất kỳ bộ phận nào bị hỏng, đưa chúng đi sửa chữa ngay lập tức và đúng cách tại các trung tâm dịch vụ ủy quyền của MAKITA.

Mài xích cưa

⚠ THẬN TRỌNG:

- Luôn rút phích cắm nguồn điện chính và đeo găng tay bảo hộ khi thực hiện công việc trên xích cưa.

► Hình29

Mài xích cưa khi:

- Bột mịn cưa được sinh ra khi cắt gỗ ẩm mục;
- Dây xích sẽ khó xuyên qua gỗ, ngay cả khi ép lực nén mạnh;
- Mép cắt hiển nhiên rất nguy hiểm;
- Máy cưa kéo về bên trái hay bên phải trong gỗ. Lý do cho trạng thái này là bởi xích cưa bị mài không đều hoặc chỉ hư hỏng một bên.

Mài xích cưa thường xuyên nhưng mỗi lần chỉ loại bỏ một chút vật liệu.

Hai hay ba nhát giữa thường là đủ cho thói quen mài đĩa. Khi xích cưa bị mài lại nhiều lần, hãy nhờ trung tâm dịch vụ được ủy quyền của MAKITA mài lại xích.

Các tiêu chuẩn mài đĩa:

- Tất cả chiều dài lưỡi cắt phải bằng nhau. Lưỡi cắt có chiều dài khác nhau sẽ ngăn xích cưa vận hành trơn tru và có thể khiến xích bị gãy.
- Không mài xích khi đã đạt đến chiều dài lưỡi cắt tối thiểu 3 mm. Phải lắp xích mới.
- Độ dày vụn bảo được quyết định bởi khoảng cách giữa thanh đo sâu (mũi tròn) và mép cắt.
- Kết quả cắt tốt nhất đạt được với những khoảng cách giữa mép cắt và thanh đo sâu như sau:
Lưỡi cưa đĩa dây xích 90PX: 0,5 mm
Lưỡi cưa đĩa dây xích 91PX: 0,65 mm

► **Hình30:** 1. Chiều dài mép cắt 2. Khoảng cách giữa mép cắt và thanh đo sâu 3. Tối thiểu 3 mm

⚠ CẢNH BÁO:

- Khoảng cách dư làm tăng nguy cơ bật ngược.
 - Góc mài 30 ° phải giống với mọi lưỡi cắt. Sự khác nhau về góc khiến xích vận hành hỗn độn và không đều, tăng độ mòn, và dẫn đến gãy xích.
 - Góc tẩm bên của lưỡi cắt được xác định bằng độ sâu xuyên thấu của giữa tròn. Nếu giữa chỉ định được sử dụng đúng cách, góc tẩm bên chính xác sẽ được tạo tự động.
 - Góc tẩm bên đối với mỗi xích cưa như sau:
Lưỡi cưa đĩa dây xích 90PX: 75 °
Lưỡi cưa đĩa dây xích 91PX: 80 °
- **Hình31:** 1. Góc tẩm bên

Giữa và hướng giữa

- Sử dụng một cái giữa tròn đặc biệt (phụ kiện tùy chọn) cho xích cưa để mài dây xích. Giữa tròn thông thường không thích hợp.

- Đường kính giữa tròn cho từng xích cưa như sau:
Lưỡi cưa đĩa dây xích 90PX: 4,5 mm
Lưỡi cưa đĩa dây xích 91PX: 4,0 mm
- Giữa chỉ nên gài vào lưỡi cưa trên những nhát chém tối. Nâng giữa lên lưỡi cưa trên nhát chém lùi.
- Mài lưỡi cưa ngắn nhất trước. Sau đó chiều dài của lưỡi cắt ngắn nhất trở thành tiêu chuẩn của tất cả các lưỡi cắt còn lại trên xích cưa.

► Hình32

- Dẫn hướng giữa như trình bày trong hình.
- Giữa có thể được lái một cách dễ dàng nếu giá đỡ giữa (phụ kiện tùy chọn) được sử dụng. Giá đỡ giữa có đánh dấu cho góc mài chính xác 30 ° (cân chỉnh dấu song song với xích cưa) và giới hạn độ xuyên sâu (đến 4/5 đường kính giữa).

► Hình33

- Sau khi mài dây xích, kiểm tra chiều cao của thanh đo sâu bằng cách sử dụng dụng cụ đo dây xích (phụ kiện tùy chọn).

► Hình34

- Tháo bỏ bất kỳ vật liệu nào nhô ra, dù nhỏ đến cỡ nào, bằng một cái giữa phẳng đặc biệt (phụ kiện tùy chọn).
- Đeo tròn mặt trước của thanh đo sâu lần nữa.

Vệ sinh thanh dẫn hướng và bôi trơn đĩa xích trở lại

⚠ THẬN TRỌNG:

- Luôn đeo găng tay bảo hộ đối với công việc này. Bavia có thể gây ra nguy cơ thương tích.

► Hình35

Kiểm tra các bề mặt chạy của thanh thường xuyên xem có hư hại không. Vệ sinh bằng cách sử dụng dụng cụ phù hợp và loại bỏ bavia nếu cần thiết.

Nếu cưa xích được sử dụng thường xuyên, hãy bôi trơn ổ trục đĩa xích trở lại ít nhất một lần một tuần.

Trước khi thêm dầu mỡ mới, cần thận vệ sinh ổ 2 mm trên đầu thanh dẫn hướng, sau đó tra một lượng nhỏ mỡ đa năng (phụ kiện tùy chọn) vào ổ.

Làm sạch thanh dẫn dầu

► **Hình36:** 1. Rãnh dẫn dầu 2. Ống nạp dầu

- Vệ sinh rãnh dẫn dầu và lỗ nạp dầu trong thanh định kỳ.

Xích cưa mới

Sử dụng hai hoặc ba xích cưa xen kẽ, để xích cưa, đĩa xích và các bề mặt chạy của thanh mòn đều. Xoay thanh lại khi thay đổi xích để rãnh thanh mòn đều.

⚠ THẬN TRỌNG:

- Chỉ sử dụng xích và thanh được chấp nhận cho kiểu cưa này (tham khảo "THÔNG SỐ KỸ THUẬT").

► **Hình37:** 1. Đĩa xích

Trước khi vật khít xích cưa mới, kiểm tra tình trạng của đĩa xích.

⚠ THẬN TRỌNG:

- Đĩa xích bị mòn sẽ làm hư hại xích của mới. Thay thế đĩa xích trong trường hợp này.

Luôn vận hành vòng khóa khi thay thế đĩa xích.

Bảo dưỡng xích và phanh ngã

Hệ thống phanh là những tính năng an toàn rất quan trọng. Giống như bất kỳ thành phần nào khác của cưa xích, chúng phải chịu mức độ mòn nhất định. Chúng phải được kiểm tra thường xuyên bởi các trung tâm dịch vụ ủy quyền của MAKITA. Biện pháp này là vì sự an toàn của chính bạn.

Cất giữ dụng cụ

Chỉ có thể giữ dầu xích cưa có khả năng phân hủy sinh học trong một khoảng thời gian giới hạn. Quá hai năm sau khi sản xuất, dầu sinh học bắt đầu có chất lượng kết dính và gây hư hỏng cho máy bơm dầu và các bộ phận trong hệ thống bôi trơn.

XỬ LÝ SỰ CỐ

Trước khi yêu cầu sửa chữa, đầu tiên hãy tự tiến hành kiểm tra của riêng bạn. Nếu bạn phát hiện vấn đề nào đó không được giải thích trong sách hướng dẫn sử dụng này, đừng cố tháo dỡ dụng cụ. Thay vào đó, hãy hỏi Trung tâm dịch vụ được ủy quyền của Makita.

- Trước khi tháo cưa xích không sử dụng trong một thời gian dài hơn, hãy đổ hết bình chứa dầu và đổ đầy bình bằng một lượng nhỏ dầu động cơ (SAE 30).
- Chạy cưa xích một thời gian ngắn để xả tất cả cặn dầu sinh học ra khỏi bình chứa, hệ thống bôi trơn và cơ cấu cưa.

LƯU Ý:

- Khi cưa xích được lấy ra không sử dụng, những lượng dầu cưa nhỏ sẽ rơi rớt từ cưa trong một thời gian sau đó. Điều này là bình thường và không phải là dấu hiệu của lỗi.

Cất giữ cưa xích trên bề mặt phủ hợp. Trước khi đem cưa xích vào sử dụng lại, hãy đổ đầy bằng dầu xích cưa BIOTOP mới. Để đảm bảo AN TOÀN và TIN CẬY của sản phẩm, việc sửa chữa, việc kiểm tra và thay thế chổi cac-bon, hoặc bất cứ thao tác bảo trì, điều chỉnh nào đều phải được thực hiện bởi các Trung tâm Dịch vụ Được Ủy quyền của Makita. Luôn sử dụng các phụ tùng thiết bị thay thế của Makita.

Tình trạng nguy hiểm	Nguyên nhân có thể xảy ra	Biện pháp khắc phục
Máy cưa xích không hoạt động.	Không có nguồn cấp điện.	Kết nối với nguồn cấp điện. Kiểm tra nguồn cấp điện.
	Cáp bị hỏng.	Ngừng sử dụng dụng cụ ngay lập tức và yêu cầu trung tâm dịch vụ được ủy quyền tại địa phương của bạn kiểm tra.
	Lỗi dụng cụ.	Ngừng sử dụng dụng cụ ngay lập tức và yêu cầu trung tâm dịch vụ được ủy quyền tại địa phương của bạn kiểm tra.
Xích không chạy.	Đã gài phanh của dây xích.	Nhả phanh của dây xích.
Hiệu suất không đủ.	Chổi cac-bon đã mòn.	Nhờ trung tâm bảo trì được ủy quyền ở địa phương sửa chữa.
Không có dầu trên dây xích.	Bình chứa dầu rỗng.	Đổ đầy bình chứa dầu.
	Rãnh dẫn dầu dơ.	Lau sạch rãnh.
	Vít điều chỉnh máy bơm dầu được điều chỉnh không đúng.	Điều chỉnh mức nạp máy bơm dầu.
Xích không dừng lại ngay cả khi đã gài phanh của dây xích.	Dây đai phanh đã mòn dần.	Ngừng sử dụng dụng cụ ngay lập tức và yêu cầu trung tâm dịch vụ được ủy quyền tại địa phương của bạn kiểm tra.
Dụng cụ rung bất thường.	Nới lỏng thanh dẫn hướng hoặc xích cưa.	Điều chỉnh thanh dẫn hướng và lực căng xích cưa.
	Lỗi dụng cụ.	Ngừng sử dụng dụng cụ ngay lập tức và yêu cầu trung tâm dịch vụ được ủy quyền tại địa phương của bạn kiểm tra.

PHỤ KIỆN TỰY CHỌN

⚠ THẬN TRỌNG:

- Các phụ kiện hoặc phụ tùng gắn thêm này được khuyến cáo sử dụng với dụng cụ Makita của bạn theo như quy định trong hướng dẫn này. Việc sử dụng bất cứ phụ kiện hoặc phụ tùng gắn thêm nào khác đều có thể gây ra rủi ro thương tích cho người. Chỉ sử dụng phụ kiện hoặc phụ tùng gắn thêm cho mục đích đã quy định sẵn của chúng.

Nếu bạn cần bất kỳ sự hỗ trợ nào để biết thêm chi tiết về các phụ tùng này, hãy hỏi Trung tâm Dịch vụ của Makita tại địa phương của bạn.

- Xích cưa
- Vỏ bảo vệ thanh dẫn hướng
- Thanh dẫn hướng
- Thanh đo xích
- Giữa tròn 4,0 mm
- Giữa tròn 4,5 mm
- Giữa phẳng
- Giá đỡ giữa với giữa 4,0 mm
- Giá đỡ giữa với giữa 4,5 mm
- Tay cầm giữa
- Dầu xích cưa
- Dầu mỡ đa năng
- Máy bơm mỡ

LƯU Ý:

- Một số mục trong danh sách có thể được bao gồm trong gói dụng cụ làm phụ kiện tiêu chuẩn. Các mục này ở mỗi quốc gia có thể khác nhau.

ข้อมูลจำเพาะ

รุ่น		UC3041A		UC3541A		UC4041A	
อัตราความเร็วโซ่สูงสุด		14.5 m/s (870 m/min)					
แผ่นบังคับโซ่มาตรฐาน	ความยาวของแผ่นบังคับโซ่	300 mm		350 mm		400 mm	
	ความยาวในการตัด	265 mm		325 mm		360 mm	
	ชนิดของแผ่นบังคับโซ่	แถบจุกสเตอร์					
โซ่เลื่อยมาตรฐาน	ประเภท	90PX	91PX	90PX	91PX	90PX	91PX
	ระยะพิชชียอดฟัน	3/8"					
	จำนวนการเชื่อมต่อการขับเคลื่อน	46		52		56	
ความยาวของแผ่นบังคับโซ่ที่แนะนำ		300 - 400 mm					
ความยาวโดยรวม (โดยไม่มีแผ่นบังคับโซ่)		455 mm					
น้ำหนักสุทธิ		4.6 kg		4.7 kg		4.7 kg	
สายไฟต่อฟ่วง (อุปกรณ์เสริม)		DIN 57282/HO 7RN -F L=30 m สูงสุด, 3x1.5 mm ²					

- เนื่องจากโปรแกรมการวิจัยและพัฒนาอย่างต่อเนื่องของเรา ข้อมูลจำเพาะในคู่มือนี้อาจมีการเปลี่ยนแปลงโดยไม่แจ้งให้ทราบล่วงหน้า
- ข้อมูลจำเพาะอาจแตกต่างกันไปในแต่ละประเทศ
- น้ำหนักตามข้อบังคับของ EPTA 01/2003

สัญลักษณ์

สัญลักษณ์ต่อไปนี้ใช้กับอุปกรณ์นี้ โปรดศึกษาความหมายของสัญลักษณ์ให้เข้าใจก่อนการใช้งาน



อ่านคู่มือการใช้งานและปฏิบัติตามคำเตือนและคำแนะนำด้านความปลอดภัย



สวมอุปกรณ์ป้องกันดวงตา



สวมใส่อุปกรณ์ป้องกันเสียง



คนนอนสองชั้น



ข้อควรระวัง: ใช้ความระมัดระวังและความสนใจเป็นพิเศษ!



ข้อควรระวัง: ถอดปลั๊กไฟออกทันทีหากสายไฟเสียหาย!



ข้อควรระวัง: การดีดกลับ!












ป้องกันจากฝนและความชื้น!



สวมใส่หมวกนิรภัย แวนครอบตา และอุปกรณ์ป้องกันใบหู!



สวมถุงมือนิรภัย!

	ถอดปลั๊กไฟ!
	การปฐมพยาบาล
	ความยาวในการตัดสูงสุดที่ได้รับอนุญาต
	ทิศทางการเคลื่อนที่ของโซ่
	น้ำมันโซ่
	ปล่อยเบรกโซ่
	ใช้งานเบรกโซ่
	ห้ามใช้!
	สำหรับประเทศในทวีปยุโรปเท่านั้น ห้ามทั้งอุปกรณ์ไฟฟ้าพร้อมกับวัสดุเหลือทิ้งในครัวเรือน! เพื่อให้เป็นไปตามตามกฎระเบียบของยุโรปว่าด้วยเศษเหลือทิ้งของอุปกรณ์ไฟฟ้าและอิเล็กทรอนิกส์ รวมถึงการบังคับใช้ตามกฎหมายภายในประเทศ ต้องเก็บอุปกรณ์ไฟฟ้าที่หมดอายุการใช้งานแล้วแยกต่างหาก และส่งกลับไปยังศูนย์รีไซเคิลที่เป็นมิตรต่อสิ่งแวดล้อม

การใช้งานตามวัตถุประสงค์

เครื่องมือนี้ใช้สำหรับการตัดท่อนไม้และซุง

แหล่งจ่ายไฟ

ควรเชื่อมต่อเครื่องมือกับแหล่งจ่ายไฟที่มีแรงดันไฟฟ้าตามที่ระบุไว้ในป้ายข้อมูลของเครื่องมือ และจะต้องใช้ไฟฟ้ากระแสสลับแบบเฟสเดียวเท่านั้น อุปกรณ์นี้ได้รับการคุ้มครองสองชั้นและสามารถใช้กับปลั๊กไฟที่ไม่มีสายดินได้

คำเตือนด้านความปลอดภัยของเครื่องมือไฟฟ้าทั่วไป

⚠ คำเตือน อ่านคำเตือนด้านความปลอดภัยและคำแนะนำทั้งหมดก่อนใช้งาน การไม่ปฏิบัติตามคำเตือนและคำแนะนำดังกล่าวอาจส่งผลให้ไฟฟ้าช็อต ไฟไหม้ และ/หรือได้รับบาดเจ็บร้ายแรง

เก็บรักษาคำเตือนและคำแนะนำทั้งหมดไว้เป็นข้อมูลอ้างอิงในอนาคต

คำว่า “เครื่องมือไฟฟ้า” ในคำเตือนนี้หมายถึงเครื่องมือไฟฟ้า (มีสาย) ที่ทำงานโดยใช้กระแสไฟฟ้า หรือเครื่องมือไฟฟ้า (ไร้สาย) ที่ทำงานโดยใช้แบตเตอรี่

1. ดูแลพื้นที่ทำงานให้มีความสะอาดและมีแสงไฟสว่าง พื้นที่ที่ระเกะระกะหรือมืดที่บอานำไปสู่การเกิดอุบัติเหตุได้
2. อย่าใช้งานเครื่องมือไฟฟ้าในสภาพที่อาจเกิดการระเบิด เช่น ในสถานที่ที่มีของเหลว ก๊าซ หรือฝุ่นผงที่มีคุณสมบัติไวไฟ เครื่องมือไฟฟ้าอาจสร้างประกายไฟและจุดชนวนฝุ่นผงหรือก๊าซดังกล่าว
3. ดูแลไม่ให้มีเด็กๆ หรือบุคคลอื่นอยู่ในบริเวณที่กำลังใช้เครื่องมือไฟฟ้า การมีสิ่งรบกวนสมาธิอาจทำให้คุณสูญเสียการควบคุม

ความปลอดภัยด้านไฟฟ้า

4. ปลั๊กของเครื่องมือไฟฟ้าต้องพอดีกับเต้ารับ อย่าดัดแปลงปลั๊กไม่ว่ากรณีใดๆ อย่าใช้ปลั๊กอะแดปเตอร์กับเครื่องมือไฟฟ้าที่ต่อสายดิน ปลั๊กที่ไม่ถูกดัดแปลงและเต้ารับที่เข้ากันพอดีจะช่วยลดความเสี่ยงของการเกิดไฟฟ้าช็อต
5. ระวังอย่าให้ร่างกายสัมผัสกับพื้นผิวที่ต่อสายดิน เช่น ท่อ เครื่องนำความร้อน เตาหุงต้ม และตู้เย็น มีความเสี่ยงที่จะเกิดไฟฟ้าช็อตสูงขึ้น หากร่างกายของคุณสัมผัสกับพื้น
6. อย่าให้เครื่องมือไฟฟ้าถูกน้ำหรืออยู่ในสภาพเปียกชื้น น้ำที่ไหลเข้าไปในเครื่องมือไฟฟ้าจะเพิ่มความเสี่ยงของการเกิดไฟฟ้าช็อต
7. อย่าใช้สายไฟอย่างไม่เหมาะสม อย่าใช้สายไฟเพื่อยก ดึง หรือถอดปลั๊กเครื่องมือไฟฟ้า เก็บสายไฟให้ห่างจากความร้อน น้ำมัน ของมีคม หรือชิ้นส่วนที่เคลื่อนที่ สายที่ชำรุดหรือพันกันจะเพิ่มความเสี่ยงของการเกิดไฟฟ้าช็อต
8. ขณะที่ใช้งานเครื่องมือไฟฟ้านอกอาคาร ควรใช้สายต่อพ่วงที่เหมาะสมกับงานภายนอกอาคาร การใช้สายที่เหมาะสมกับงานภายนอกอาคารจะลดความเสี่ยงของการเกิดไฟฟ้าช็อต
9. หากต้องใช้งานเครื่องมือไฟฟ้าในสถานที่เปียกชื้น ให้ใช้อุปกรณ์ป้องกันกระแสไฟรั่ว (RCD) การใช้ RCD จะลดความเสี่ยงของการเกิดไฟฟ้าช็อต
10. แนะนำให้ใช้แหล่งจ่ายไฟผ่าน RCD ที่มีกระแสไฟรั่วในอัตราไม่เกิน 30mA เสมอ

ความปลอดภัยส่วนบุคคล

11. ให้ระมัดระวังและมียึดอยู่เสมอขณะใช้งานเครื่องมือไฟฟ้า อย่าใช้งานเครื่องมือไฟฟ้าในขณะที่คุณกำลังเหนื่อย หรือในสภาพที่มันมาจากยาเสพติด เครื่องดื่ม แอลกอฮอล์ หรือการเข้ายา ชั่วขณะที่ขาดความระมัดระวังเมื่อกำลังใช้งานเครื่องมือไฟฟ้าอาจทำให้ได้รับบาดเจ็บร้ายแรง
12. ใช้อุปกรณ์ป้องกันส่วนบุคคล สวมแว่นตาป้องกันเสมอ อุปกรณ์ป้องกัน เช่น หน้ากากกันฝุ่น รองเท้ากันภัย กันลื่น หมวกกันน็อก หรืออุปกรณ์ป้องกันเสียงที่ใช้ในสภาพที่เหมาะสมจะช่วยลดการบาดเจ็บ
13. ป้องกันไม่ให้เกิดการเปิดใช้งานโดยไม่ตั้งใจ ตรวจสอบให้แน่ใจว่าสวิตช์ปิดอยู่ก่อนที่จะเชื่อมต่อกับแหล่งจ่ายไฟ และ/หรือชุดแบตเตอรี่ รวมทั้งตรวจสอบก่อนการยกหรือเคลื่อนย้ายเครื่องมือ การถอดนิ้วมือบริเวณสวิตช์เพื่อถือเครื่องมือไฟฟ้า หรือการชาร์จไฟเครื่องมือไฟฟ้าในขณะที่เปิดสวิตช์อยู่อาจนำไปสู่การเกิดอุบัติเหตุ
14. นำกุญแจปรับตั้งหรือประแจออกก่อนที่จะเปิดเครื่องมือไฟฟ้า ประแจหรือกุญแจที่เสียบค้างอยู่ในชิ้นส่วนที่หมุนได้ของเครื่องมือไฟฟ้าอาจทำให้ได้รับบาดเจ็บ
15. อย่าทำงานในระบะที่สูดเอื้อม จัดท่าการยืนและการทรงตัวให้เหมาะสมตลอดเวลา เพราะจะทำให้ควบคุมเครื่องมือไฟฟ้าได้ดีขึ้นในสถานการณ์ที่ไม่คาดคิด
16. แต่งกายให้เหมาะสม อย่าสวมเครื่องแต่งกายที่หลวมเกินไป หรือสวมเครื่องประดับ ดูแลไม่ให้เส้นผม เสื้อผ้า และถุงมืออยู่ใกล้ชิ้นส่วนที่เคลื่อนที่ เสื้อผ้า รุ่มร่าม เครื่องประดับ หรือผมที่มีความยาวอาจเข้าไปติดในชิ้นส่วนที่เคลื่อนที่
17. หากมีการจัดอุปกรณ์สำหรับดูดและจับฝุ่นไว้ในสถานที่ ให้ตรวจสอบว่าได้เชื่อมต่อและใช้งานอุปกรณ์นั้นอย่างเหมาะสม การใช้เครื่องดูดและจับฝุ่นจะช่วยลดอันตรายที่เกิดจากฝุ่นผงได้

การใช้และดูแลเครื่องมือไฟฟ้า

18. อย่ากินใช้เครื่องมือไฟฟ้า ใช้เครื่องมือไฟฟ้าที่เหมาะสมกับการใช้งานของคุณ เครื่องมือไฟฟ้าที่เหมาะสมจะทำให้ได้งานที่มีประสิทธิภาพและปลอดภัยกว่าตามขีดความสามารถของเครื่องที่ได้รับการออกแบบมา
19. อย่าใช้เครื่องมือไฟฟ้า หากสวิตช์ไม่สามารถเปิดปิดได้ เครื่องมือไฟฟ้าที่ควบคุมด้วยสวิตช์ไม่ได้เป็นสิ่งอันตรายและต้องได้รับการซ่อมแซม

20. ถอดปลั๊กจากแหล่งจ่ายไฟ และ/หรือชุดแบตเตอรี่ออกจากเครื่องมือไฟฟ้าก่อนทำการปรับตั้ง เปลี่ยนอุปกรณ์เสริม หรือจัดเก็บเครื่องมือไฟฟ้า วิธีการป้องกันด้านความปลอดภัยดังกล่าวจะช่วยลดความเสี่ยงของการเปิดใช้งานเครื่องมือไฟฟ้าอย่างไม่ตั้งใจ
 21. จัดเก็บเครื่องมือไฟฟ้าที่ไม่ได้ใช้งานให้ห่างจากมือเด็ก และอย่าอนุญาตให้บุคคลที่ไม่คุ้นเคยกับเครื่องมือไฟฟ้าหรือคำแนะนำเหล่านี้ใช้งานเครื่องมือไฟฟ้า เครื่องมือไฟฟ้าจะเป็นอันตรายเมื่ออยู่ในมือของผู้ที่ไม่ได้รับการฝึกอบรม
 22. การดูแลรักษาเครื่องมือไฟฟ้า ตรวจสอบการประกอบที่ถูกต้องหรือการเชื่อมต่อของชิ้นส่วนที่เคลื่อนที่ การแตกหักของชิ้นส่วน หรือสภาพอื่น ๆ ที่อาจส่งผลกระทบต่อการทำงานของเครื่องมือไฟฟ้า หากมีความเสียหาย ให้นำเครื่องมือไฟฟ้าไปซ่อมแซมก่อนการใช้งาน อุบัติเหตุจำนวนมากเกิดจากการดูแลรักษาเครื่องมือไฟฟ้าอย่างไม่ถูกต้อง
 23. ทำความสะอาดเครื่องมือตัดและลับให้คมอยู่เสมอ เครื่องมือตัดที่มีการดูแลรักษาอย่างถูกต้องและมีขอบตัดคมมักจะมีความปลอดภัยดีและควบคุมได้ง่ายกว่า
 24. ใช้เครื่องมือไฟฟ้า อุปกรณ์เสริม และวัสดุสิ้นเปลือง ฯลฯ ตามคำแนะนำดังกล่าว พิจารณาสภาพการทำงานและงานที่จะลงมือทำ การใช้เครื่องมือไฟฟ้าเพื่อทำงานอื่นนอกเหนือจากที่กำหนดไว้อาจทำให้เกิดอันตราย
- การซ่อมบำรุง
25. นำเครื่องมือไฟฟ้าเข้ารับบริการจากช่างซ่อมที่ผ่านการรับรองโดยใช้ชื่อแบรนด์เดียวกันเท่านั้น เพราะจะทำให้การใช้เครื่องมือไฟฟ้ามีความปลอดภัย
 26. ปฏิบัติตามคำแนะนำในการหล่อลื่นและการเปลี่ยนอุปกรณ์เสริม
 27. ดูแลเมื่อจับให้แห้ง สะอาด และไม่มีน้ำมันและจาระบีเปื้อน

คำเตือนด้านความปลอดภัยของเลื่อยโซ่ยนต์

1. ดูแลร่างกายทุกส่วนให้ห่างจากโซ่เลื่อยในขณะที่เลื่อยโซ่ยนต์กำลังทำงาน ก่อนที่คุณจะเริ่มใช้งานเลื่อยโซ่ยนต์ ตรวจสอบให้แน่ใจว่าโซ่เลื่อยไม่ได้สัมผัสกับสิ่งใด ๆ การละเลยขณะใช้งานเลื่อยโซ่ยนต์อาจก่อให้เกิดการเกี่ยวเสื้อผ้าหรือร่างกายของคุณด้วยโซ่เลื่อย
2. ถือเลื่อยโซ่ยนต์ด้วยมือข้างขวาบนที่จับด้านหลังและมือด้านซ้ายบนที่จับด้านหน้าอยู่เสมอ การถือเลื่อยโซ่ยนต์ด้วยการใช้มือสลับกันจะเพิ่มความเสี่ยงของการบาดเจ็บส่วนบุคคล และไม่ควรกระทำ

3. ถือเครื่องมือที่ด้ามจับหุ้มฉนวนเท่านั้น เนื่องจากโช้เหล็ยอาจจะสัมผัสกับสายไฟที่ซ่อนอยู่หรือสายไฟของตัวเองได้ โช้เหล็ยที่สัมผัสกับสายไฟ “ที่มีกระแสไฟฟ้าเดินอยู่” อาจทำให้ชิ้นส่วนที่เป็นเหล็กของเครื่องมือกลที่ถูกสัมผัส “ได้รับกระแสไฟฟ้า” และเกิดไฟช็อตแก่ผู้ใช้งาน
4. สวมใส่แว่นตานิรภัยและอุปกรณ์ป้องกันเสียง ขอแนะนำให้ใช้อุปกรณ์ป้องกันเพิ่มเติมสำหรับศีรษะ มือ ขา และเท้า ชุดป้องกันจะลดการบาดเจ็บส่วนบุคคลโดยชิ้นส่วนที่ลื่นหรือการสัมผัสกับโช้เหล็ยโดยอุบัติเหตุ
5. อย่าใช้งานโช้เหล็ยไชนด์ขณะอยู่บนต้นไม้ การใช้งานโช้เหล็ยไชนด์ขณะอยู่บนต้นไม้อาจก่อให้เกิดการบาดเจ็บส่วนบุคคลได้
6. คอยรักษาการยึดมั่นที่เหมาะสมและใช้โช้เหล็ยไชนด์เมื่อยืนอยู่บนพื้นผิวระดับที่ราบเรียบและปลอดภัยเท่านั้น พื้นผิวที่ลื่นไหลหรือไม่ราบเรียบ อาทิ บันได อาจก่อให้เกิดการสูญเสียการทรงตัวหรือการควบคุมของโช้เหล็ยไชนด์ได้
7. ในขณะที่ตัดกิ่งไม้ที่อยู่ภายใต้ความตึง คอยระวังการตีกลับ เมื่อความตึงในเส้นใยไม่ปล่อยออกมา กิ่งไม้ที่ตีกลับมาอาจกระแทกผู้ใช้และ/หรือไม่อาจควบคุมโช้เหล็ยไชนด์ได้
8. คอยระมัดระวังอย่างสูงขณะตัดแปรงและกิ่งไม้อ่อน วัสดุที่บางอาจสัมผัสโช้เหล็ย และตัดเข้าหาตัวคุณหรือทำให้คุณเสียการทรงตัว
9. ถือโช้เหล็ยไชนด์ตรงที่จับด้านหน้าขณะที่ปิดสวิตช์โช้เหล็ยไชนด์แล้ว และนำออกห่างจากร่างกายของคุณ เมื่อทำการเคลื่อนย้ายหรือจัดเก็บโช้เหล็ยไชนด์ ให้ปิดฝาครอบแถบรางให้สนิทอยู่เสมอ การใช้งานโช้เหล็ยไชนด์อย่างเหมาะสมจะลดความเป็นไปได้ของการสัมผัสโดยอุบัติเหตุด้วยโช้เหล็ยที่ขยับ
10. ปฏิบัติตามคำแนะนำสำหรับการหล่อลื่น การปรับแรงตึงของโช้ และ การเปลี่ยนอุปกรณ์เสริม โช้ที่ถูกปรับแรงตึงหรือหล่อลื่นอย่างไม่ถูกต้องจะก่อให้เกิดหรือเพิ่มโอกาสของการตีกลับ
11. ดูแลมือจับให้แห้ง สะอาด และไม่มีน้ำมันและจาระบีเปื้อน มือจับที่เปื้อนน้ำมันและจาระบีจะมีความลื่นซึ่งก่อให้เกิดการสูญเสียในการควบคุม
12. ตัดไม้เท่านั้น อย่านำโช้เหล็ยไชนด์สำหรับวัตถุประสงค์ที่ไม่ได้กำหนด ตัวอย่าง: อย่านำโช้เหล็ยไชนด์สำหรับการตัดพลาสติก อิฐ หรือวัสดุก่อสร้างที่ไม่ใช่ไม้ การใช้งานโช้เหล็ยไชนด์สำหรับการดำเนินการที่แตกต่างไปจากที่กำหนดอาจก่อให้เกิดสถานการณ์ที่เป็นอันตรายได้

13. สาเหตุของการตีกลับและการป้องกันผู้ใช้จากการตีกลับ:

การตีกลับอาจเกิดขึ้นเมื่อปลายของแถบรางสัมผัสกับวัตถุ หรือเมื่อไม้ขยับเข้ามาใกล้และบีบโช้เหล็ยในระหว่างการตัด

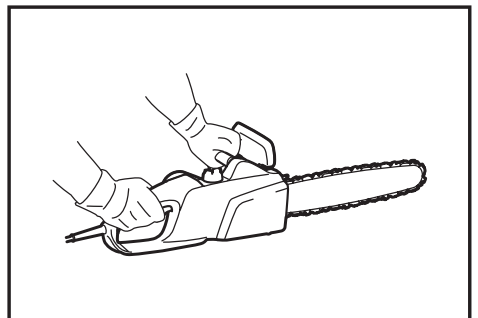
การสัมผัสส่วนปลายในบางกรณีอาจก่อให้เกิดปฏิกิริยาย้อนกลับโดยทันทีซึ่งขึ้นได้ ซึ่งจะตัดแถบรางขึ้นด้านบนและตีกลับใส่ผู้ใช้

การบีบโช้เหล็ยอย่างแน่นบริเวณด้านบนของแถบรางอาจดันแถบรางกลับใส่ตัวผู้ใช้อย่างรวดเร็ว

ปฏิกิริยาเหล่านี้อาจทำให้คุณสูญเสียการควบคุมสำหรับโช้เหล็ย ซึ่งอาจก่อให้เกิดการบาดเจ็บส่วนบุคคลที่ร้ายแรง อย่านำโช้เหล็ยไชนด์ที่ติดตั้งมาในโช้เหล็ยของคุณเพียงอย่างเดียว ในฐานะผู้ใช้งานโช้เหล็ยไชนด์ คุณควรปฏิบัติตามหลายขั้นตอนเพื่อคอยหลีกเลี่ยงงานตัดไม้จากอุบัติเหตุหรือการบาดเจ็บ

การตีกลับเป็นผลมาจากการใช้โช้เหล็ยผิดจุดประสงค์และ/หรือการใช้ผิดวิธีหรือสภาพที่การทำงานที่ไม่ถูกต้อง และสามารถป้องกันได้ด้วยวิธีการป้องกันดังต่อไปนี้

- คอยรักษาการจับให้แน่นด้วยหัวแม่มือและนิ้วมือหรือมือจับของโช้เหล็ยไชนด์ด้วยมือทั้งสองข้างบนตัวโช้เหล็ย และจัดวางร่างกายและแขนของคุณเพื่อให้สามารถต้านทานแรงตีกลับได้ แรงตีกลับสามารถถูกควบคุมได้โดยผู้ใช้หากมีการปฏิบัติข้อควรระวังอย่างเหมาะสม อย่านำโช้เหล็ยไชนด์



- อย่าเอื้อมเกินตัวและอย่าตัดเหนือความสูงของไหล่ สิ่งนี้จะช่วยป้องกันการสัมผัสด้านปลายที่ไม่ได้เจตนาและช่วยควบคุมโช้เหล็ยไชนด์ในกรณีที่ไม่คาดคิดได้ดียิ่งขึ้น
- ใช้แถบเปลี่ยนและโช้ที่กำหนดโดยผู้ผลิตเท่านั้น แถบเปลี่ยนและโช้ที่ไม่ถูกต้องอาจก่อให้เกิดการแตกของโช้และ/หรือการตีกลับ

- ปฏิบัติตามการลัษณะของผู้ผลิตและคำแนะนำในการซ่อมบำรุงสำหรับเครื่องใช้ชนิด การลดลงของความสูงสำหรับเกวียดความลึกอาจนำไปสู่การติดกลับที่เพิ่มขึ้น

ข้อกำหนดด้านความปลอดภัยเพิ่มเติม

1. อ่านคู่มือการใช้งานเพื่อทำความเข้าใจเกี่ยวกับการใช้งานเครื่องใช้ชนิด
2. ก่อนใช้งานเครื่องใช้ชนิดเป็นครั้งแรก ให้อ่านคำแนะนำในการใช้งาน หากไม่สามารถอ่านคำแนะนำในการใช้งานได้อย่างน้อยควรฝึกตัดก่อนไม่กลมนขาหยังก่อนเริ่มทำงาน
3. ห้ามให้เด็กหรือเยาวชนอายุต่ำกว่า 18 ปีใช้งานเครื่องใช้ชนิด โดยอาจยกเว้นข้อจำกัดนี้ให้แก่เยาวชนที่มีอายุเกิน 16 ปีหากเยาวชนดังกล่าวได้ผ่านการฝึกอบรมภายใต้การควบคุมดูแลของผู้เชี่ยวชาญแล้ว
4. การทำงานร่วมกับเครื่องใช้ชนิดจำเป็นต้องใช้สมาธิอย่างมาก อย่าทำงานร่วมกับเครื่องใช้ชนิดที่รู้สึไม่แข็งแรงหรือไม่สบาย ทำงานอย่างใจเย็นและใช้ความระมัดระวังทุกครั้ง
5. ห้ามใช้ทำงานขณะอยู่ในสภาพที่มีเมฆมาจากยาเสพติด เครื่องดื่มแอลกอฮอล์ หรือการใช้ยา

การใช้งานอย่างเหมาะสม

1. เครื่องใช้ชนิดนี้ใช้สำหรับตัดไม้เท่านั้น อย่าใช้เครื่องมือนี้เพื่อตัดพลาสติกหรือคอนกรีตที่มีรูพรุนเป็นต้น
2. ใช้เครื่องใช้ชนิดนี้เพื่อทำงานดังที่ได้อธิบายไว้ในคู่มือการใช้งานนี้เท่านั้น อย่าใช้ตัดพุ่มไม้หรือเพื่อวัตถุประสงค์ที่คล้ายคลึง
3. ห้ามใช้เครื่องใช้ชนิดนี้ในงานที่เกี่ยวข้องกับป่าไม้ เช่น ล้มต้นไม้และโค่นไม้ยืนต้น สายไฟของเครื่องใช้ชนิดนี้จะทำให้ผู้ปฏิบัติงานเคลื่อนไหวไม่สะดวกและไม่ปลอดภัยต่อการทำงานดังกล่าว
4. เครื่องใช้ชนิดนี้ไม่ได้ออกแบบมาเพื่อการใช้งานในเชิงพาณิชย์
5. อย่าให้เครื่องใช้ชนิดนี้ทำงานหนักเกินไป

อุปกรณ์ป้องกันส่วนบุคคล

1. เสื้อผ้าจะต้องสวมใส่ได้พอดีตัว แต่ไม่เป็นอุปสรรคต่อการเคลื่อนไหว
2. สวมใส่ชุดป้องกันต่อไปนี้ระหว่างทำงาน:
 - หมวกนิรภัยที่ผ่านการทดสอบแล้ว หากเกิดอันตรายจากกิ่งไม้ที่ร่วงลงมาหรือสิ่งอื่นที่ใกล้เคียง
 - หน้ากากหรือแว่นกันลม

- อุปกรณ์ป้องกันเสียงที่เหมาะสม (ที่ครอบหู ปลั๊กอุดหูเฉพาะบุคคลหรือแบบขึ้นรูป) การตรวจวิเคราะห์ความถี่ตามคำร้อง
- ถุงมือนิรภัยหนึ่งอย่างหนา
- กางเกงขายาวที่ผลิตด้วยผ้าเนื้อหนา
- ชุดเย็บนิรภัยที่ทำงานผ้าทนต่อการฉีกขาด
- รองเท้าหรือรองเท้าบูตนิรภัยที่มีพื้นกันลื่น หัวเหล็ก และบุด้วยผ้าทนต่อการฉีกขาด
- หน้ากากช่วยหายใจ เมื่อต้องทำงานที่ทำให้เกิดฝุ่นผง (เช่น การเลื่อยไม้แห้ง)

ป้องกันไฟฟ้าดูด



ห้ามใช้เครื่องใช้ชนิดนี้ในสภาพอากาศเปียกหรือสภาพแวดล้อมที่ชื้น เนื่องจากมอเตอร์ไฟฟ้าไม่กันน้ำ

1. เลียบปลั๊กเครื่องใช้ชนิดนี้ไปในการรับไฟฟ้าในวงจรไฟฟ้าที่ผ่านการทดสอบแล้ว ตรวจสอบแรงดันไฟฟ้าของระบบว่าตรงกับป้ายระบุ ตรวจสอบว่าติดตั้งสายฟิวส์ 16 A เครื่องใช้ชนิดนี้ใช้ที่โถงจะต้องเชื่อมต่อกับเครื่องตัดวงจรที่ทำงานโดยใช้กระแสไฟฟ้าที่เหลือ ซึ่งมีกระแสไฟฟ้าในการทำงานไม่เกิน 30 mA



หากสายไฟเชื่อมต่อเสียหาย ให้ถอดปลั๊กไฟออกทันที

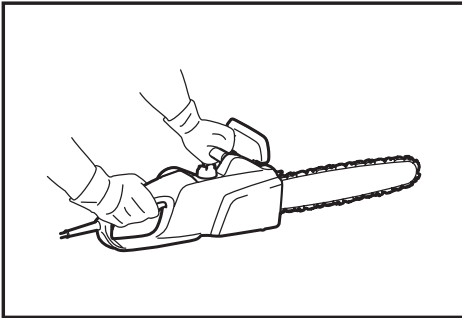
แนวปฏิบัติในการทำงานที่ปลอดภัย

1. ก่อนการเริ่มงาน ตรวจสอบว่าเครื่องใช้ชนิดนี้อยู่ในสภาวะการทำงานที่ถูกต้องและสภาพสอดคล้องกับข้อบังคับด้านความปลอดภัย ตรวจสอบสิ่งต่อไปนี้โดยเฉพาะ:
 - เบรกของโซ่ทำงานอย่างเหมาะสม
 - เบรกที่ผ่านการใช้งานมานานทำงานอย่างเหมาะสม
 - แผ่นบังคับโซ่และฝาครอบเฟืองโซ่อยู่ในตำแหน่งที่ถูกต้อง
 - ได้มีการลัษณะเครื่องใช้ชนิดนี้และกำหนดแรงดึงตามข้อบังคับ
 - สายไฟและปลั๊กไฟไม่เสียหาย

โปรดดูที่ส่วน “การตรวจสอบ”

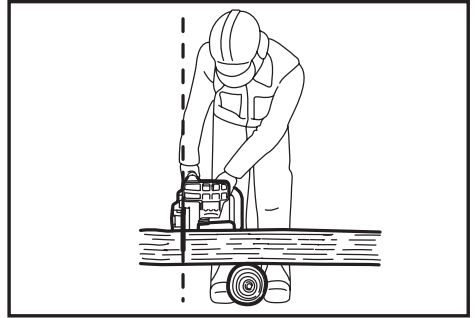
2. ตรวจสอบโดยเฉพาะสายไฟต่อพ่วงที่ใช้อยู่ว่ามีส่วนที่ติดกันมากเพียงพอ (ดู “ข้อมูลจำเพาะ”) เมื่อใช้งานผ่านสายไฟ ให้ดึงสายไฟออกจากก้านจนหมด เมื่อใช้งานเครื่องใช้ชนิดนี้ให้ตรวจสอบว่าสายไฟที่ใช้ออกแบบมาเพื่อการใช้งานในที่โถงและได้มาตรฐานที่เหมาะสม

- ให้สายไฟอยู่ห่างจากพื้นที่ตัดและวางตำแหน่งสายไฟ โดยไม่ให้ติดอยู่กับกิ่งไม้และสิ่งที่คล้ายกันในระหว่างตัด
- อย่าใช้งานเลื่อยโซยนต์ในบริเวณที่ใกล้กับฝุ่นหรือก๊าซที่ติดไฟ เนื่องจากมอเตอร์จะทำให้เกิดประกายไฟและเกิดความเสี่ยงในการระเบิดได้
- ทำงานบนพื้นที่มั่นคงโดยจัดท่ายืนให้มั่นคงเท่านั้น ให้ความระมัดระวังเป็นพิเศษต่อสิ่งกีดขวาง (เช่น สายไฟ) ในพื้นที่ทำงาน ใช้ความระมัดระวังในสถานที่ที่มีความชื้น น้ำแข็ง หิมะ ไม้หรือเปลือกไม้ที่เพิ่งตัดใหม่ อาจทำให้พื้นผิวลื่น อายยืนบนบันไดและต้นไม้ขณะใช้เลื่อย
- ใช้ความระมัดระวังขณะทำงานบนพื้นลาด เนื่องจากลำต้นของต้นไม้ที่วางนอนและกิ่งไม้อาจทำให้เกิดอันตรายได้
- ห้ามตัดที่ระดับความสูงเหนือไหล่
- ถือเลื่อยโซยนต์ด้วยมือทั้งสองเมื่อเปิดสวิตช์และใช้งาน ถือมือจับด้านหลังด้วยมือข้างขวา และถือมือจับด้านหน้าด้วยมือข้างซ้าย จับมือจับให้แน่นด้วยนิ้วโป้ง แผ่นบังคับโซ่และโซ่จะต้องไม่สัมผัสกับวัตถุใดๆ เมื่อเปิดสวิตช์เลื่อย



- ทำความสะอาดพื้นที่ที่ต้องการตัดให้ปราศจากสิ่งแปลกปลอม เช่น ทราช หิน ตะปู ลวด และอื่นๆ สิ่งแปลกปลอมสามารถทำให้แถบรางและโซ่เสียหาย และอาจทำให้เกิดการติดกลับที่อันตรายได้
- ใช้ความระมัดระวังเป็นพิเศษในการตัดในบริเวณที่ใกล้รั้วลวดเหล็ก อย่าตัดถูกรั้วเนื่องจากเลื่อยอาจติดกลับได้
- อย่าตกลงบนพื้นดิน
- ตัดต้นไม้ทีละชั้น อย่าตัดไม้ที่มัดรวมกันหรือวางซ้อนกัน
- หลีกเลี่ยงการใช้เลื่อยตัดกิ่งไม้และรากเส้นเล็กๆ เนื่องจากอาจพันเข้าไปในเลื่อยโซยนต์ได้ การสูญเสียการทรงตัวอาจทำให้เกิดอันตรายได้

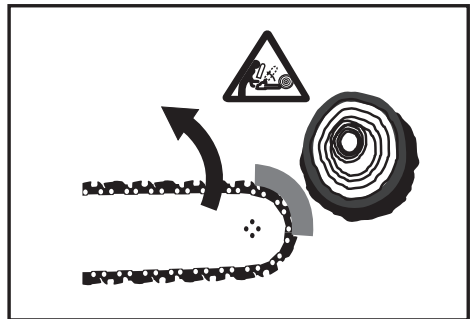
- ใช้ตัวรองที่มั่นคง (ขาหยั่ง) ขณะตัดท่อนไม้ที่เลื่อยออกมาแล้ว
- อย่าใช้งานเลื่อยโซยนต์ในการจัดหรือปัดขึ้นไม้และวัตถุอื่นๆ ออกไป
- หันเลื่อยโซยนต์โดยไม่ให้ส่วนใดของร่างกายคุณอยู่ในระยะที่โซ่เลื่อยยื่นถึง (ดูภาพ)



- ขณะเคลื่อนที่ไปรอบๆ ระหว่างทำงานเลื่อย ให้ใช้งานเบรกโซ่เพื่อป้องกันไม่ให้เกิดการใช้งานโซ่โดยไม่ได้ตั้งใจ จับเลื่อยโซยนต์ด้วยมือจับด้านหน้าขณะถือเลื่อยและโยย้าย่างนี้ไว้บนสวิตช์
- ถอดปลั๊กไฟออกขณะพักหรือทิ้งเลื่อยโซยนต์ไว้โดยไม่มีผู้ดูแล วางเลื่อยโซยนต์ในจุดที่ไม่เป็นอันตราย

การติดกลับ

- การติดกลับที่ก่อให้เกิดอันตรายอาจเกิดขึ้นระหว่างทำงานโดยใช้เลื่อยโซยนต์ โดยการติดกลับจะเกิดขึ้นเมื่อปลายแผ่นบังคับโซ่ (โดยเฉพาะอย่างยิ่งช่วงบน) สัมผัสกับไม้หรือของแข็งอื่นๆ ซึ่งจะทำให้โซ่เลื่อยเบี่ยงทิศทางไปหาผู้ปฏิบัติงาน



- หากต้องการหลีกเลี่ยงการติดกลับ ให้สังเกตดังนี้:
 - อย่าเริ่มตัดด้วยปลายแผ่นบังคับโซ่
 - อย่าใช้ปลายแผ่นบังคับโซ่ในการตัด ใช้ความระมัดระวังเป็นพิเศษในการตัดต่อจากจุดที่เริ่มตัดไปแล้ว

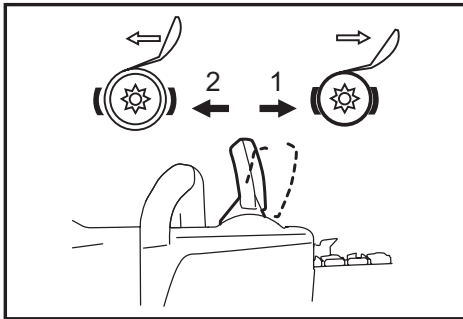
- เริ่มตัดโดยใช้หมุ่นก่อน
- ลับโซ่อย่างถูกต้องเสมอ โดยเฉพาะอย่างยิ่ง ให้ตั้งค่าเกวัดความลึกในระดับความสูงที่ถูกต้อง
- อย่าปล่อยให้ตัดกิ่งไม้หลายๆ กิ่งพร้อมกัน
- เมื่อทำการโค่นต้นไม้ ระวังอย่าให้แผ่นบังคับโซ่ติดกับกิ่งไม้อื่นๆ
- เมื่อทำการตัดเป็นต้นแรก ให้กำจัดส่วนลำต้นที่อยู่ติดกัน สังเกตปลายแผ่นบังคับโซ่เสมอ
- ใช้ขาหยั่ง

คุณสมบัติเพื่อความปลอดภัย

1. ตรวจสอบเสมอว่าคุณสมบัติเพื่อความปลอดภัยอยู่ในสภาพที่ใช้งานได้ก่อนเริ่มทำงาน อย่าใช้เลื่อยโซ่ยนต์หากคุณสมบัติเพื่อความปลอดภัยไม่ทำงานอย่างเหมาะสม

เบรกโซ่:

เลื่อยโซ่ยนต์จะมีเบรกโซ่ติดตั้งมาพร้อมกัน ซึ่งจะทำให้โซ่เลื่อยหยุดนิ่งในเวลาเสี้ยววินาที ซึ่งจะทำงานเมื่อที่ป้องกันมือถูกดันไปด้านหน้า โซ่เลื่อยจะหยุดภายในเวลา 0.15 วินาที และแหล่งจ่ายไฟให้แก่มอเตอร์จะถูกขัดจังหวะ



1. ใช้งานเบรกโซ่ 2. ปลดเบรกโซ่

เบรกรันดาวัน:

เลื่อยโซ่ยนต์มีเบรกรันดาวันซึ่งจะช่วยให้โซ่เลื่อยหยุดทันทีเมื่อปล่อยสวิตช์ ON/OFF นี้จะช่วยป้องกันไม่ให้โซ่เลื่อยหมุนต่อเมื่อปิดสวิตช์แล้วซึ่งอาจเป็นอันตรายได้

— ที่ป้องกันมือด้านหน้าและด้านหลังจะช่วยป้องกันผู้ใช้ไม่ให้ได้รับบาดเจ็บจากชิ้นส่วนไม้ที่อาจถูกเหวี่ยงไปทางด้านหลังหรือโซ่เลื่อยที่ขาด

— ปุ่มล๊อคสวิตช์ซึ่งงานจะป้องกันไม่ให้เลื่อยโซ่ยนต์ถูกเปิดสวิตช์โดยไม่ได้ตั้งใจ

— ตัวป้องกันโซ่จะช่วยป้องกันผู้ใช้ไม่ให้ได้รับบาดเจ็บหากโซ่แข็งหรือขาด

การขนย้ายและการเก็บรักษา



เมื่อไม่ใช้เลื่อยโซ่ยนต์หรือถูกขนย้าย ให้ถอดปลั๊กไฟและใส่ฝาคาบแผ่นบังคับโซ่ที่มาพร้อมกับเลื่อย ห้ามถือหรือขนย้ายเลื่อยโดยที่โซ่เลื่อยกำลังทำงานอยู่

1. ถือเลื่อยโซ่ยนต์ด้วยมือจับด้านหน้าเท่านั้น โดยให้แผ่นบังคับโซ่ชี้ไปทางด้านหลัง
2. เก็บเลื่อยโซ่ยนต์ในห้องที่ปลอดภัย แห้ง และปิดล็อคให้พ้นมือเด็ก อย่าเก็บเลื่อยโซ่ยนต์ไว้ภายนอกอาคาร

การบำรุงรักษา

1. ถอดปลั๊กออกจากเต้ารับก่อนทำการปรับหรือบำรุงรักษาใดๆ
2. ตรวจสอบความเสียหายที่ฉนวนของสายไฟเป็นประจำ
3. ทำความสะอาดเลื่อยโซ่ยนต์เป็นประจำ
4. ซ่อมแซมความเสียหายใดๆ ที่ครอบพลาสติกอย่างเหมาะสมโดยทันที
5. อย่าใช้เลื่อยหากสวิตช์สั่งงานไม่ทำงานอย่างเหมาะสมให้ซ่อมแซมอย่างเหมาะสม
6. ห้ามทำการดัดแปลงเลื่อยโซ่ยนต์ในกรณีใดๆ ทั้งสิ้นเนื่องจากทำให้เกิดความเสี่ยงต่อความปลอดภัยของคุณ
7. อย่าทำการบำรุงรักษาหรือซ่อมแซมอื่นใดนอกเหนือจากที่อธิบายไว้ในคู่มือการใช้งานนี้ การปฏิบัติงานอื่นใดทั้งหมดต้องทำโดยศูนย์ให้บริการที่ผ่านการรับรอง
8. โซ่อะไหล่ทดแทนและอุปกรณ์เสริมของแท้ที่จับกับเลื่อยรุ่นของคุณเท่านั้น การใช้โซ่อะไหล่อื่นๆ จะเป็นการเพิ่มความเสี่ยงต่อการเกิดอุบัติเหตุ
9. เราขอปฏิเสธความรับผิดชอบต่อบุติเหตุหรือความเสียหายที่เกิดขึ้นจากการใช้งานแผ่นบังคับโซ่ โซ่เลื่อย หรืออะไหล่ทดแทนและอุปกรณ์เสริมที่ไม่ได้รับอนุญาต

การปฐมพยาบาล



อย่าทำงานลำพัง ทำงานในระบะที่สามารถขอความช่วยเหลือจากผู้อื่นได้อยู่เสมอ

1. เก็บกล่องปฐมพยาบาลไว้ใกล้มือเสมอ เปลี่ยนชิ้นส่วนใดๆ ที่ถอดออกมาจากเครื่องโดยทันที
2. หากคุณต้องการความช่วยเหลือในกรณีที่เกิดอุบัติเหตุให้ระบุดังนี้:
 - อุบัติเหตุเกิดขึ้นที่ใด
 - เกิดอะไรขึ้นบ้าง
 - มีผู้ได้รับบาดเจ็บกี่ราย

- อาการบาดเจ็บเป็นอย่างไรบ้าง
- ใครเป็นผู้แจ้งอุบัติเหตุ

หมายเหตุ: แรงสั่นสะเทือนที่มากเกินไปอาจทำให้เกิดการบาดเจ็บต่อเส้นเลือดหรือระบบประสาทของผู้ที่มีระบบการไหลเวียนโลหิตไม่ดีได้

แรงสั่นสะเทือนอาจทำให้เกิดการอาการดังต่อไปนี้ที่นิ้วมือ หรือข้อมือได้ “การไหลกลับ” (อาการชา) เจ็บเหมือนโดนหนามแทง เจ็บปวด ความรู้สึกเหมือนโดนแทง สิวหรือผิวหนังเปลี่ยนแปลงไป

หากมีอาการใดๆ ดังกล่าวเกิดขึ้น ให้ไปพบแพทย์!

ปฏิบัติตามคำแนะนำเหล่านี้

คำเตือน: อย่าให้ความไม่ระมัดระวังหรือความคุ้นเคยกับผลิตภัณฑ์ (จากการใช้งานซ้ำหลายครั้ง) อยู่เหนือการปฏิบัติตามกฎเกณฑ์ด้านความปลอดภัยในการใช้งานผลิตภัณฑ์อย่างเคร่งครัด การใช้งานผิดจุดประสงค์หรือการไม่ปฏิบัติตามกฎเกณฑ์ด้านความปลอดภัยในคู่มือการใช้งานนี้อาจส่งผลให้ได้รับบาดเจ็บสาหัสได้

ข้อขึ้นส่วน

► หมายเลข 1

1	มือจับด้านหลัง	7	โซ่เลื่อย	13	กันชนเหล็กแหลม
2	สวิตช์ใช้งาน	8	ก้าน	14	ปุ่มปลดล็อก
3	ฝาเติมน้ำมัน	9	ฝาครอบเฟืองโซ่	15	ตัวป้องกันโซ่
4	มือจับด้านหน้า	10	ปุ่มหมุนปรับ	16	ฝาครอบแผ่นบังคับโซ่
5	ที่ป้องกันมือด้านหน้า	11	ที่ป้องกันมือด้านหลัง	17	ขอยืดสายไฟ
6	แผ่นบังคับโซ่	12	ช่องมองระดับน้ำมัน	18	สกรูปรับสำหรับปั้มน้ำมัน (ด้านล่าง)

การประกอบ

⚠ ข้อควรระวัง:

- ตรวจสอบให้แน่ใจเสมอว่าปิดสวิตช์เครื่องมือและถอดปลั๊กออกแล้วก่อนดำเนินการใดๆ กับเครื่องมือ

การถอดและการติดตั้งโซ่เลื่อย

⚠ ข้อควรระวัง:

- สวมถุงมือเมื่อทำการติดตั้งหรือถอดโซ่เลื่อยทุกครั้ง

สำหรับการถอดโซ่เลื่อย ให้ปฏิบัติตามขั้นตอนดังนี้:

1. ดันและเปิดก้านจนกระทั่งหยุดทำงาน

► **หมายเลข 2:** 1. ก้าน 2. ฝาครอบเฟืองโซ่

2. หมุนก้านทวนเข็มนาฬิกาเพื่อปลดฝาครอบสเตอร์จนออกมา

3. หมุนปุ่มหมุนปรับไปยังทิศทาง “-” เพื่อปล่อยแรงดึงของโซ่เลื่อย

► **หมายเลข 3:** 1. ปุ่มหมุนปรับ

4. ถอดฝาครอบสเตอร์

5. ถอดโซ่เลื่อยและแถบรางออกจากเลื่อยโซ่ยนต์สำหรับการติดตั้งเลื่อย ให้ปฏิบัติตามขั้นตอนดังนี้:

6. คอยตรวจสอบทิศทางของโซ่ เครื่องหมายลูกศรบนโซ่จะแสดงทิศทางของโซ่

► **หมายเลข 4:** 1. เฟืองโซ่

7. ติดตั้งด้านปลายของโซ่เลื่อยบริเวณด้านบนบนของแผ่นบังคับโซ่และด้านปลายอื่นๆ รอบสเตอร์

8. วางแถบรางให้เข้าที่บนเลื่อยโซ่ยนต์

9. ปรับตัวเลื่อนแรงดึงให้ตรงกับรูของแผ่นบังคับโซ่

► **หมายเลข 5:** 1. แผ่นบังคับโซ่ 2. รู

10. จับแผ่นบังคับโซ่ไว้และหมุนปุ่มหมุนปรับไปยังทิศทาง “+” เพื่อปรับแรงดึงของโซ่เลื่อย

11. ติดฝาครอบเฟืองโซ่โดยให้ขอยืดติดตามรูและสลักพอดีกับคูลักบนฝาครอบเฟืองโซ่

► **หมายเลข 6:** 1. ขอยืด 2. รู 3. เข็ม

12. หมุนก้านตามเข็มนาฬิกาเพื่อยึดฝาครอบสเตอร์ให้แน่น

► **หมายเลข 7**

13. ดันก้านกลับสู่ตำแหน่งเดิม

การปรับแรงดึงของโซ่เคเบิล

โซ่เคเบิลอาจหลวมหลังจากการใช้งานหลายชั่วโมง คอยตรวจสอบแรงดึงของโซ่เคเบิลเป็นครั้งคราวก่อนการใช้งาน

1. กัดและเปิดก้านจนสุดจนกว่าจะมีเสียงดังคลิก หมุนก้านทวนเข็มนาฬิกาเล็กน้อยเพื่อคลายฝาครอบสแตอร์เล็กน้อย

► **หมายเลข 8:** 1. ก้าน 2. ฝาครอบเฟืองโซ่

2. ยกปลายแถบยางขึ้นเล็กน้อย

► **หมายเลข 9:** 1. คลาย 2. ชั้นแน่น 3. ปุ่มหมุนปรับ 4. แผ่นบังคับโซ่ 5. โซ่เคเบิล

3. หมุนปุ่มหมุนปรับและปรับแรงดึงของโซ่ ชั้นโซ่เคเบิลให้แน่นจนกระทั่งด้านล่างของโซ่เคเบิลเข้ากับรางของแผ่นบังคับโซ่ตามภาพ (ดูวงกลม)
4. คอยจับแผ่นบังคับโซ่เบาๆ และปิดฝาครอบสแตอร์ให้แน่นหลังจากการปรับแรงดึงของโซ่ ตรวจสอบให้แน่ใจว่าโซ่เคเบิลไม่หลวมในด้านล่าง
5. ดันก้านกลับสู่ตำแหน่งเดิม

► **หมายเลข 10:** 1. ก้าน 2. ฝาครอบเฟืองโซ่

ตรวจสอบให้แน่ใจว่าโซ่เคเบิลอยู่ในตำแหน่งพอดีกับด้านล่างของแถบยาง

⚠ ข้อควรระวัง:

- อย่าผูกโซ่เคเบิลให้แน่นมากเกินไป แรงดึงที่สูงมากเกินไปของโซ่เคเบิลอาจก่อให้เกิดการแตกหักของโซ่เคเบิล การสึกหรอของแผ่นบังคับโซ่ และการแตกหักของปุ่มหมุนปรับ
- โซ่ที่หลวมมากเกินไปสามารถดีดออกจากแถบยางและทำให้เกิดความเสี่ยงของอุบัติเหตุ
- ดำเนินการตามขั้นตอนการติดตั้งหรือการถอดโซ่เคเบิลในสถานที่สะอาดโดยปราศจากขี้เถ้าและวัสดุคล้ายคลึง

การติดตั้งสายต่อฟาง

⚠ ข้อควรระวัง:

- ตรวจสอบให้แน่ใจว่าได้ถอดสายต่อฟางออกจากตัวรับไฟ

► **หมายเลข 11:** 1. ขอบเกี่ยวสายไฟ 2. สายของเครื่องมือ 3. สายไฟต่อฟาง 4. ปลั๊กและเข้าปลั๊ก (รูปทรงอาจแตกต่างกันไปในแต่ละประเทศ)

เมื่อติดตั้งสายต่อฟาง ให้ยึดสายไว้กับสายของเลื่อยโซ่ยนต์โดยใช้ขอบเกี่ยวสายไฟ

ติดขอบเกี่ยวสายไฟให้ห่างจากข้อต่อสายต่อฟางประมาณ 100 - 200 mm ซึ่งช่วยป้องกันไม่ให้เกิดการเชื่อมต่อหลุดโดยไม่ได้ตั้งใจ

การใช้งาน

การทำงานของสวิตช์

► **หมายเลข 12:** 1. ปุ่มปลดล็อก 2. สวิตช์สั่งงาน

⚠ ข้อควรระวัง:

- ตรวจสอบให้แน่ใจเสมอว่าปิดสวิตช์เครื่องมือและถอดปลั๊กออกแล้วก่อนทำการตรวจสอบการทำงานของบนสวิตช์สั่งงาน
- ก่อนเสียบปลั๊กเครื่องมือ ให้ตรวจสอบเพื่อดูว่าสวิตช์สั่งงานทำงานอย่างถูกต้องและกลับไปตำแหน่ง "OFF" (ปิด) เมื่อปล่อยเสมอ

► **หมายเลข 13**

หมายเหตุ:

- อย่าเปิดหรือปิดบ่อยเกินไปภายในระยะเวลาสั้นๆ (ไม่เกินห้าวินาที) อุณหภูมิภายในเครื่องมือจะสูงขึ้นและอาจทำให้เครื่องมือเสียหายได้ ระยะเวลาอาจแตกต่างกันไปตามอุณหภูมิแวดล้อมและเงื่อนไขอื่นๆ

เพื่อป้องกันสวิตช์สั่งงานจากการถูกกดโดยไม่ได้ตั้งใจจึงมีปุ่มปลดล็อกมาให้ เพื่อเริ่มใช้งานเครื่องมือ กดปุ่มปลดล็อกแล้วดึงสวิตช์สั่งงาน ปล่อยสวิตช์สั่งงานเพื่อหยุดทำงาน

การหล่อลื่น

⚠ ข้อควรระวัง:

- ตรวจสอบให้แน่ใจเสมอว่าปิดเครื่องมือและถอดปลั๊กออกแล้วก่อนทำการหล่อลื่นโซ่เคเบิล

► **หมายเลข 14**

ทำการหล่อลื่นโซ่เคเบิลและแผ่นบังคับโซ่โดยใช้น้ำมันโซ่เคเบิลแบบย่อยสลายได้ทางชีวภาพซึ่งผสมสารยึดเกาะ สารยึดเกาะในน้ำมันโซ่เคเบิลจะช่วยป้องกันไม่ให้น้ำมันกระเด็นหลุดจากโซ่ในปริมาณมากเกินไปอย่างรวดเร็ว ห้ามใช้น้ำมันแร่ เนื่องจากเป็นอันตรายต่อสิ่งแวดล้อม

⚠️ ข้อควรระวัง:

- ป้องกันไม่ให้น้ำมันสัมผัสผิวและดวงตา การสัมผัสกับดวงตาจะทำให้เกิดการระคายเคือง ในกรณีที่เข้าตา ให้ล้างตาข้างที่สัมผัสทันทีด้วยน้ำสะอาด และไปพบแพทย์โดยด่วน
- อย่าใช้น้ำมันใช้แล้ว น้ำมันใช้แล้วจะมีสารก่อมะเร็ง สิ่งปนเปื้อนในน้ำมันใช้แล้วจะทำให้บ่มน้ำมัน แผ่นบังคับโซ่ และโซ่สึกหรอเร็วขึ้น น้ำมันใช้แล้วเป็นอันตรายต่อสิ่งแวดล้อม
- เมื่อทำการเติมน้ำมันโซ่สำหรับเลื่อยโซ่ยนต์ในครั้งแรก หรือเติมถึงน้ำมันหลังจากการใช้งานจนวางเปล่า เติมน้ำมันตรงขอบด้านล่างของคอกที่เติมนั้น การจ่ายน้ำมันอาจจะไม่สมบูรณ์

▶ **หมายเลข 15:** 1. ฝาเติมน้ำมัน 2. สายรัด

สำหรับการเติมน้ำมัน ให้ปฏิบัติตามขั้นตอนดังนี้:

1. ทำความสะอาดพื้นที่รอบฝาเติมน้ำมันอย่างทั่วถึงเพื่อป้องกันไม่ให้อสิ่งสกปรกเข้าไปในถังน้ำมัน
2. ถอดฝาเติมน้ำมันและเติมน้ำมันถึงขอบด้านล่างของคอกที่เติม
3. บิดฝาเติมน้ำมันกลับเข้าที่ให้แน่น
4. เช็ดน้ำมันโซ่ที่หกกระเด็นอย่างระมัดระวัง

หมายเหตุ:

- เมื่อใช้งานเลื่อยโซ่ยนต์เป็นครั้งแรก อาจใช้เวลาถึงสองนาทีกว่าน้ำมันโซ่จะเริ่มแสดงผลการหล่อลื่นกลไกเลื่อย เดินเครื่องเปล่าเลื่อยจนกว่าจะเกิดการหล่อลื่น (ดู "การตรวจสอบ")

การตรวจสอบ

ก่อนเริ่มทำงาน ให้ทำการตรวจสอบต่อไปนี้:

การตรวจสอบแรงดึงโซ่

⚠️ คำเตือน:

- ถอดปลั๊กไฟออกก่อนตรวจสอบแรงดึงโซ่ และสวมถุงมือนิรภัยเสมอ

▶ **หมายเลข 16:** 1. คลาย 2. ชันแน่น 3. ปุ่มหมุนปรับ 4. แผ่นบังคับโซ่ 5. โซ่เลื่อย

ตรวจสอบให้แน่ใจว่าโซ่เลื่อยอยู่ในตำแหน่งพอดีกับด้านล่างของแผ่นบังคับโซ่ (ดูวงกลม)

ตรวจสอบแรงดึงโซ่เป็นประจำเนื่องจากโซ่ใหม่จะยืดออกได้อีก

แรงดึงที่สูงมากจนเกินไปของโซ่เลื่อยอาจก่อให้เกิดการแตกของโซ่เลื่อย การสึกหรอของแผ่นบังคับโซ่ และการแตกหักของปุ่มหมุนปรับ

โซ่ที่หลวมมากเกินไปสามารถดีดออกจากแถบราง และทำให้เกิดความเสี่ยงของอุบัติเหตุ หากโซ่หลวมเกินไป: โปรดดูในหัวข้อ "การปรับแรงดึงของโซ่เลื่อย" และทำการปรับแรงดึงของโซ่เลื่อยอีกครั้ง

การตรวจสอบการทำงานของสวิตช์

⚠️ **ข้อควรระวัง:** ก่อนเสียบปลั๊กเครื่องมือ ให้ตรวจสอบเพื่อดูว่าสวิตช์สั่งงานทำงานอย่างถูกต้องและกลับไปที่ตำแหน่ง "OFF" (ปิด) เมื่อปล่อยเสมอ

เพื่อป้องกันสวิตช์สั่งงานจากการถูกกดโดยไม่ได้ตั้งใจมีปุ่มปลดล๊อคมาให้ เพื่อเริ่มใช้งานเครื่องมือ กดปุ่มปลดล๊อคแล้วดึงสวิตช์สั่งงาน ปล่อยสวิตช์สั่งงานเพื่อหยุดทำงาน อย่าดึงสวิตช์สั่งงานแรงๆ โดยไม่ได้กดปุ่มปลดล๊อค เนื่องจากอาจทำให้สวิตช์เสียหายได้

การตรวจสอบเบรกโซ่

หมายเหตุ:

- หากเลื่อยโซ่ยนต์ไม่เริ่มทำงาน ให้ตรวจสอบว่าเบรกของโซ่ถูกปล่อยแล้วหรือไม่ หากต้องการปล่อยเบรกโซ่ ดึงที่ป้องกันมือไปด้านหลังให้แน่นจนกระทั่งคุณรู้สึกมันทำงาน

▶ **หมายเลข 17:** 1. ที่ป้องกันมือด้านหน้า 2. ล็อค 3. ปลดล๊อค

▶ **หมายเลข 18:** 1. ที่ป้องกันมือด้านหน้า 2. ล็อค 3. ปลดล๊อค

ตรวจสอบเบรกโซ่ดังนี้:

1. ถือเลื่อยโซ่ยนต์ด้วยมือทั้งสองเมื่อเปิดสวิตช์ ถือมือจับด้านหลังด้วยมือข้างขวา และถือมือจับด้านหน้าด้วยมือข้างซ้าย ตรวจสอบว่าแผ่นบังคับโซ่และโซ่ไม่สัมผัสกับวัตถุใดๆ
2. กดปุ่มปลดล๊อคก่อน จากนั้นค่อยกดสวิตช์สั่งงาน โซ่เลื่อยจะเริ่มทำงานทันที
3. ดันที่ป้องกันมือไปข้างหน้าโดยใช้หลังมือของคุณ ตรวจสอบให้แน่ใจว่าโซ่เลื่อยหยุดนิ่งโดยทันที

⚠️ ข้อควรระวัง:

- หากโซ่เลื่อยไม่หยุดโดยทันที อย่านำโซ่เลื่อยมาโยนได้เงื่อนโซ่ใดๆ ทั้งสิ้น ปรีชาศุนย์บริการที่ผ่านการรับรองจาก Makita

การตรวจสอบเบรกที่ผ่านการใช้งานมานาน

เปิดสวิตช์เลื่อยโซยนต์

ปล่อยสวิตช์สั่งงานออกจนสุด ตรวจสอบว่าโซ่เลื่อยหยุดนิ่งภายในหนึ่งวินาที

⚠️ ข้อควรระวัง:

- หากโซ่เลื่อยไม่หยุดโดยทันที อย่าใช้งานเลื่อยภายใต้เงื่อนไขใดๆ ทั้งสิ้น ปรีกษาศูนย์บริการที่ผ่านการรับรองจาก Makita

การตรวจสอบการหยอดน้ำมันโซ่

ก่อนเริ่มทำงาน ตรวจสอบระดับน้ำมันในถังและการจ่ายน้ำมัน

ระดับน้ำมันสามารถดูได้ในช่องมองระดับน้ำมันในภาพ

▶ หมายเลข 19: 1. ช่องมองระดับน้ำมัน

ตรวจสอบการจ่ายน้ำมันดังนี้:

เดินเครื่องเลื่อยโซยนต์

ขณะที่เลื่อยทำงาน ให้ถือโซ่เลื่อยเหนือลำต้นของต้นไม้หรือพื้นดินประมาณ 15 cm หากการหล่อลื่นเพียงพอ ละอองน้ำมันจะทำให้เกิดคราบน้ำมันบางๆ

สังเกตทิศทางลม และอย่าให้ตัวคุณสัมผัสกับละอองน้ำมันโดยไม่จำเป็น

⚠️ ข้อควรระวัง:

- หากไม่เกิดคราบน้ำมันขึ้น อย่าใช้งานเลื่อยนี้ มิฉะนั้นอายุการใช้งานของโซ่จะลดลงได้ ตรวจสอบระดับน้ำมัน ทำความสะอาดร่องจ่ายน้ำมันและรูจ่ายน้ำมันในแผ่นบังคับโซ่ (ดู “การบำรุงรักษา”)

การปรับการหล่อลื่นโซ่

▶ หมายเลข 20

คุณสามารถปรับอัตราการป้อนน้ำมันด้วยสกรูปรับ

⚠️ ข้อควรระวัง:

- ใช้มือจับด้านหน้าและมือจับด้านหลังเสมอ และจับเครื่องมือให้แน่นด้วยมือจับด้านหน้าและมือจับด้านหลังในระหว่างการใช้งาน
- ยึดท่อนไม้ที่ต้องการตัดไว้กับที่เสมอ มิฉะนั้นเศษชิ้นส่วนจากการตัดอาจทำให้เกิดการบาดเจ็บได้

การทำงานร่วมกับเลื่อยโซยนต์

การตัดเป็นท่อนซุง

▶ หมายเลข 21: 1. กันชนเหล็กแหลม

สำหรับการตัดเป็นท่อนซุง วางกันชนเหล็กแหลมที่แสดงในรูปภาพบนไม้เพื่อทำการตัด

ด้วยการไหลของโซ่เลื่อย เลื่อยไม้โดยการโซ่มีจับด้านหลัง เพื่อยกเลื่อยและมือจับด้านหน้าเพื่อนำทิศทาง ใช้กันชนเหล็กแหลมเป็นแกนหมุน ดำเนินการตัดต่อไปโดยการโซ่แรงดันเล็กน้อยกับมือจับด้านหน้า ซึ่งปล่อยเลื่อยถอยกลับเล็กน้อย ชยับกันชนเหล็กแหลมลงไปยังไม่เพิ่มขึ้นและยกมือจับด้านหน้าอีกครั้ง เมื่อทำการตัดหลายครั้ง ให้ปิดสวิตช์ของเลื่อยโซยนต์ระหว่างการตัด

⚠️ ข้อควรระวัง:

- หากมีการใช้ขอบด้านบนของแถบรางสำหรับการตัดเลื่อยโซยนต์อาจหันเหไปในทิศทางของคุณในกรณีที่ใช้ตัดซุงก็ สำหรับกรณีนี้ ตัดด้วยขอบด้านล่าง ดังนั้นเลื่อยก็จะหันเหออกจากร่างกายของคุณ

▶ หมายเลข 22

ตัดไม้ยากได้แรงตึงบนด้านแรงดัน (A) ในอันดับแรก จากนั้น ทำการตัดครั้งสุดท้ายบนด้านแรงตึง (B) ซึ่งจะป้องกันแถบรางจากการติดซุง

▶ หมายเลข 23

การโค่นต้นไม้

⚠️ ข้อควรระวัง:

- การโค่นต้นไม้อาจจะทำโดยบุคคลที่ได้รับการฝึกหัดมาเท่านั้น อันตรายจะเกิดขึ้นได้โดยความเสี่ยงของการติดกลับ

เมื่อทำการโค่นต้นไม้ รองรับเลื่อยโซยนต์บนลำต้นหากเป็นไปได้ อย่าตัดด้วยปลายแถบราง เนื่องจากจะเกิดความเสี่ยงของการติดกลับ

ใส่ใจเป็นพิเศษสำหรับต้นไม้ภายใต้แรงตึง อย่าตัดต้นไม้ที่ไม่ได้รับการรองรับจากด้านล่าง

อย่ายืนบนลำต้นที่หล่นลงมาเมื่อทำการโค่นต้นไม้

การเจาะและการตัดตามแนวขนานเสี้ยน

⚠️ ข้อควรระวัง:

- การเจาะและการตัดตามแนวขนานเสี้ยนอาจจะทำโดยบุคคลที่ได้รับการฝึกหัดพิเศษมาเท่านั้น ความเป็นไปได้ในการติดกลับจะเกิดความเสี่ยงของการบาดเจ็บ

▶ หมายเลข 24

ทำการตัดตามแนวขนานเสี้ยนในองศาที่ชันมากที่สุด ทำการตัดอย่างระมัดระวังมากที่สุดในขณะที่ไม่สามารถใช้กันชนเหล็กแหลมได้

การโค่นต้นไม้

⚠️ ข้อควรระวัง:

- งานโค่นต้นไม้ลงอาจกระทำโดยบุคคลที่ได้รับการฝึกหัดมาเท่านั้น การกระทำนี้มีความอันตราย

ศึกษาข้อบังคับแห่งท้องถิ่นหากคุณต้องการล้มต้นไม้

— ก่อนเริ่มต้นงานโค่นต้นไม้ลง ตรวจสอบให้แน่ใจว่า

- (1) มีบุคคลที่เกี่ยวข้องในการดำเนินงานล้มต้นไม้ อยู่ในบริเวณใกล้เคียงเท่านั้น
- (2) บุคคลต่างๆ ที่เกี่ยวข้องมีทางเดินที่ไม่ได้ถูกกีดกันของการยกกลับผ่านช่วงของด้านใดด้านหนึ่งที่ 45 ° ของแกนที่โค่นลง พิจารณาความเสี่ยงเพิ่มเติมของการสะดุดสายไฟ
- (3) ฐานของลำต้นต้องปราศจากวัตถุแปลกปลอม ราก และ
- (4) ไม่มีคนหรือวัตถุอยู่ภายในระยะ 2 1/2 ของความยาวของต้นไม้ ในทิศทางที่ต้นไม้จะร่วงหล่น

▶ **หมายเลข 25:** 1. พื้นที่ในการล้มต้นไม้

— พิจารณาล่วงต่อไปนี้ที่เกี่ยวกับต้นไม้แต่ละต้น

- ทิศทางการเอียง
- ต้นไม้ที่สั้นคลอนหรือแห้ง
- ความสูงของต้นไม้
- ส่วนที่ยื่นออกมาตามธรรมชาติ
- ต้นไม้ผุพังหรือไม่

— พิจารณาความเร็วและทิศทางของลม อย่าทำงานโค่นล้มต้นไม้หากลมกำลังพัดแรง

— การตัดการขยายของราก: เริ่มต้นด้วยการขยายที่ใหญ่ที่สุด ทำการตัดในแนวตั้งก่อน ตามด้วยการตัดในแนวนอน

— ติดตามรอยแนวทาบ: รอยแนวทาบกำหนดทิศทางที่ต้นไม้จะหล่น และชี้ว่า มีการทำขึ้นบนด้านที่ต้นไม้จะหล่น ติดตามรอยแนวทาบให้ใกล้กับพื้นดินมากที่สุด อันดับแรกให้ทำการตัดในแนวนอนจนถึงความลึกที่ 1/5 -1/3 ของเส้นผ่าศูนย์กลางของลำต้น อย่าทำรอยแนวทาบที่ใหญ่เกินไป จากนั้น ทำการตัดในแนวทแยงมุม

▶ **หมายเลข 26**

— ติดตามรอยแนวทาบรอบความกว้างทั้งหมด

— ทำการตัดย้อนกลับในความสูงเล็กน้อยกว่าการตัดฐานของรอยแนวทาบ การตัดย้อนกลับต้องเป็นแนวนอน โดยสมบูรณ์ ปล่อยให้ไม้เส้นผ่าศูนย์กลางของลำต้นประมาณ 1/10 ระหว่างการตัดย้อนกลับและรอยแนวทาบ

เส้นใยต้นไม้ในสัดส่วนของลำต้นที่ไม่ได้ถูกตัดจะเป็นรอยพับ อย่าตัดผ่านเส้นใยภายใต้สถานการณ์ใดๆ เนื่องจากต้นไม้จะล้มลง ใส่ลิ้มเข้าไปในการตัดย้อนกลับแต่ละครั้ง

▶ **หมายเลข 27**

— จะต้องใช้ลิ้มพลาสติกหรืออะลูมิเนียมเพื่อทำการตัดย้อนกลับให้เกิดเท่านั้น ห้ามใช้งานลิ้มเหล็ก

— ยืนเตรียมพร้อมในด้านของต้นไม้ที่ล้ม คอยดูแลพื้นที่ให้ว่างเปล่าในด้านหลังของต้นไม้ที่ล้มไม่เกินมุม 45 ° ในด้านของแกนต้นไม้ (โปรดดูรูปภาพ "พื้นที่ล้มลง") ใส่ลิ้มกับต้นไม้ที่ล้มลง

— ควรมีการเตรียมและทำความสะอาดเส้นทางหลักหนีหากจำเป็นก่อนเริ่มการตัด เส้นทางหลักหนีควรขยายไปด้านหลังและแบบมุมทแยงของเส้นทางการล้มที่คาดไว้ตามที่แสดงไว้ในรูปภาพ

▶ **หมายเลข 28:** 1. ทิศทางการล้มต้นไม้ 2. เขตอันตราย 3. เส้นทางหลบหนี

การบำรุงรักษา

⚠️ ข้อควรระวัง:

- ตรวจสอบให้แน่ใจเสมอว่าปิดสวิตช์เครื่องมือและถอดปลั๊กออกแล้วก่อนพยายามดำเนินการตรวจสอบหรือบำรุงรักษา
- สวมใส่ถุงมือเมื่อทำการตรวจเช็คหรือการซ่อมบำรุงอยู่เสมอ
- ห้ามใช้แก๊สโซลีน เบนซิน ทินเนอร์ แอลกอฮอล์ หรือสิ่งอื่นที่คล้ายกันนี้ เนื่องจากอาจทำให้เกิดไฟลุกไหม้หรือแตกรั่วได้

ทำการบำรุงรักษาตามที่อธิบายไว้ด้านล่างนี้เป็นประจำ การเรียกบริการรับประกันสินค้าสามารถได้รับการยอมรับเมื่อมีการใช้งานเป็นปกติและเหมาะสมเท่านั้น ผู้ใช้สามารถทำการบำรุงรักษาที่อธิบายไว้ในคู่มือการใช้งานนี้เท่านั้น การปฏิบัติงานอื่นใดทั้งหมดต้องทำโดยศูนย์ให้บริการที่ผ่านการรับรองจาก MAKITA

การทำความสะอาดเลื่อยโซ่ยนต์

ทำความสะอาดเลื่อยเป็นประจำโดยใช้ผ้าสะอาด โดยเฉพาะอย่างยิ่งเมื่อจับที่ต้องปราศจากน้ำมันอยู่เสมอ

การตรวจสอบกรอบพลาสติก

ทำการตรวจสอบทุกส่วนของกรอบด้วยตาเป็นประจำ หากมีส่วนใดที่เสียหาย ให้นำไปรับการซ่อมอย่างเหมาะสมโดยทันทีที่ศูนย์บริการของ MAKITA ที่ได้รับการรับรอง

การลับโซ่เลื่อย

⚠️ ข้อควรระวัง:

- ถอดปลั๊กและสวมใส่ถุงมือนิรภัยเมื่อใช้งานโซ่เลื่อยอยู่เสมอ

▶ หมายเลข 29

ลับโซ่เลื่อยเมื่อ:

- เกิดขี้เลื่อยที่เป็นผงขึ้นเมื่อตัดไม้ที่เปียกชื้น
- โซ่ตัดเนื้อไม้อย่างยากลำบาก แม้แต่การใช้แรงดันอย่างหนัก
- ขอบคมมีความเสียหายอย่างเห็นได้ชัด
- เลื่อยดึงไปทางซ้ายหรือทางขวาในเนื้อไม้ เหตุผลสำหรับกรณีนี้คือการลับโซ่เลื่อยที่ไม่สม่ำเสมอ หรือความเสียหายแก่ด้านใดด้านหนึ่งเท่านั้น

ลับโซ่เลื่อยเป็นประจำ แต่นำสิ่งของชิ้นเล็กๆ ออกในแต่ละครั้ง

สองหรือสามจังหวะด้วยตะไบก็เพียงพอสำหรับการลับที่เป็นประจำ เมื่อทำการลับโซ่เลื่อยใหม่อีกหลาย ครั้ง ให้ทำการลับเลื่อยในศูนย์บริการที่ผ่านการรับรองจาก MAKITA

เกณฑ์ในการลับ:

- ความยาวของหัวตัดทั้งหมดต้องเท่ากัน ความยาวของหัวตัดที่ต่างกันจะทำให้โซ่วิ่งไม่ราบเรียบ และอาจทำให้โซ่เกิดแตกหัก
- อย่าลับโซ่เมื่อความยาวของหัวตัดเหลืออย่างต่ำ 3 mm จากนั้น ต้องตีดัดตั้งโซ่ใหม่
- ความหนาของเศษกึ่งถูกกำหนดโดยระยะห่างระหว่างเกจวัดความลึก (รอบปลาย) และขอบตัด
- ผลลัพธ์ในการตัดที่ดีที่สุดจะได้รับด้วยระยะห่างต่อไปนี้ระหว่างขอบตัดและเกจวัดความลึก
ไบมีดโซ่ 90PX: 0.5 mm
ไบมีดโซ่ 91PX: 0.65 mm

- ▶ หมายเลข 30: 1. ความยาวของหัวตัด 2. ระยะห่างระหว่างเกจวัดความลึกและขอบตัด
3. อย่างต่ำ 3 mm

⚠️ คำเตือน:

- ระยะห่างที่เกิดจะก่อให้เกิดความเสี่ยงในการตีกลับ
- มุมในการลับที่ 30 ° ต้องเท่ากันสำหรับหัวตัดทุกตัว ความแตกต่างในองศาจะทำให้โซ่วิ่งอย่างไม่ราบเรียบและไม่สม่ำเสมอ เป็นการเร่งการสึกหรอและนำไปสู่การแตกหักของโซ่
 - องศาของแผ่นด้านข้างหัวตัดถูกกำหนดโดยความลึกของการเจาะของตะไบกลม หากมีการใช้งานตะไบอย่างเหมาะสม จะเกิดองศาของแผ่นด้านข้างหัวตัดที่ถูกต้องโดยอัตโนมัติ
 - องศาของแผ่นด้านข้างหัวตัดมีดังต่อไปนี้:
ไบมีดโซ่ 90PX: 75 °
ไบมีดโซ่ 91PX: 80 °

- ▶ หมายเลข 31: 1. องศาของแผ่นด้านข้าง

ตะไบและการใช้ตะไบ

- ใช้ตะไบกลมพิเศษ (อุปกรณ์สนับสนุนการทำงาน) สำหรับโซ่เลื่อยเพื่อลับโซ่ ตะไบกลมธรรมดาไม่เหมาะสำหรับการใช้งาน
- เส้นผ่าศูนย์กลางของตะไบกลมสำหรับโซ่มีดังต่อไปนี้:
ไบมีดโซ่ 90PX: 4.5 mm
ไบมีดโซ่ 91PX: 4.0 mm
- ตะไบควรใช้กับหัวตัดในจังหวะไปข้างหน้าเท่านั้น ยกตะไบออกจากหัวตัดในจังหวะย้อนกลับ
- ลับหัวตัดให้สั้นที่สุดในอันดับแรก จากนั้น ความยาวของหัวตัดที่สั้นที่สุดจะมีมาตรฐานสำหรับหัวตัดทุกหัวบนโซ่เลื่อย

▶ หมายเลข 32

- ใช้ตะไบตามที่แสดงไว้ในรูปภาพ
- ตะไบสามารถใช้งานได้อย่างง่ายดายหากมีการใช้งานที่จับตะไบ (อุปกรณ์สนับสนุนการทำงาน) ที่จับตะไบมีเครื่องหมายสำหรับองศาการลับที่ถูกต้องที่ 30 ° (สอดคล้องกับเครื่องหมายที่ตรงกับโซ่เลื่อย) และขีดจำกัดความลึกของการที่แทง (4/5 ของเส้นผ่าศูนย์กลางของตะไบ)

▶ หมายเลข 33

- หลังจากการลับโซ่ ตรวจสอบความสูงของเกจวัดความลึกโดยใช้เครื่องมือเกจวัดโซ่ (อุปกรณ์สนับสนุนการทำงาน)

▶ หมายเลข 34

- ขจัดวัสดุที่ยื่นออกมาต่างๆ ไม่ว่าจะมียุขขนาดเล็กด้วย ตะไบแบนพิเศษ (อุปกรณ์สนับสนุนการทำงาน)
- ทำให้ด้านหน้าของเกจวัดความลึกเรียบอีกครั้ง

ทำความสะอาดแผ่นบังคับโซ่และทำการหล่อลื่น เพื่อโซ่ซากลับ

⚠️ ข้อควรระวัง:

- สวมถุงมือนิรภัยเสมอเพื่อทำงานนี้ ห้ามแหลม ทำให้เกิดความเสียหายที่ขนาดเจ็บ

▶ หมายเลข 35

ตรวจสอบความเสียหายบนพื้นผิวการทำงานของแผ่นบังคับโซ่เป็นประจำ ทำความสะอาดโดยใช้เครื่องมือที่เหมาะสม และกำจัดหมอกแห้งหากจำเป็น

หากมีการใช้งานเลื่อยโซ่ยนต์เป็นประจำ หล่อลื่นเพื่อโซ่ที่ลึกลับขึ้นขาถลับอย่างน้อยสัปดาห์ละครั้ง ก่อนเพิ่มจาระบีใหม่ ทำความสะอาดรูขนาด 2 mm ที่ปลายของแผ่นบังคับโซ่อย่างระมัดระวัง แล้ววัดจาระบีออกประสงค์ เอนกประสงค์ปริมาณเล็กน้อย (อุปกรณ์เสริม) เข้าไปในรู

การทำความสะอาดร่องนำน้ำมัน

▶ หมายเลข 36: 1. ร่องนำน้ำมัน 2. รูจ่ายน้ำมัน

- ทำความสะอาดร่องนำน้ำมันและรูจ่ายน้ำมันในแผ่นบังคับโซ่เป็นประจำ

โซ่เลื่อยใหม่

ใช้โซ่เลื่อยใหม่สองหรือสามเส้นสลักกัน เพื่อให้เลื่อยโซ่ยนต์เฟืองโซ่ และพื้นผิวการทำงานของแผ่นบังคับโซ่สึกหรอเสมอกัน

พลิกแผ่นบังคับโซ่เป็นอีกด้านหนึ่งเมื่อเปลี่ยนโซ่เพื่อให้อ่างแผ่นบังคับโซ่สึกเสมอกัน

⚠️ ข้อควรระวัง:

- โซ่โซ่และแผ่นบังคับโซ่ที่ได้รับอนุญาตสำหรับเลื่อยรุ่นนี้เท่านั้น (ดู "ข้อมูลจำเพาะ")

▶ หมายเลข 37: 1. เฟืองโซ่

ก่อนการติดตั้งโซ่เลื่อยใหม่ ให้ตรวจสอบสภาพของเฟืองโซ่

⚠️ ข้อควรระวัง:

- สเตอริที่สึกหรอจะทำให้โซ่เลื่อยใหม่ชำรุด ให้เปลี่ยนสเตอริในกรณีเช่นนี้

ติดตั้งแวนล้อคใหม่เมื่อเปลี่ยนเฟืองโซ่ทุกครั้ง

การบำรุงรักษาโซ่และเบรกรันดาวน์

ระบบเบรกเป็นคุณสมบัติเพื่อความปลอดภัยที่สำคัญอย่างมาก ระบบนี้จะมีการสึกหรอในระดับหนึ่ง เช่นเดียวกับชิ้นส่วนอื่นๆ ของเลื่อยโซ่ยนต์ โดยต้องได้รับการตรวจเช็คตามปกติที่ศูนย์ให้บริการที่ผ่านการรับรองจาก MAKITA มาตราการที่กำหนดไว้เพื่อความปลอดภัยของตัวเอง

เครื่องมือจัดเก็บ

น้ำมันโซ่เลื่อยแบบย่อยสลายได้ทางชีวภาพสามารถเก็บไว้ได้ในระยะเวลาจำกัดเท่านั้น ภายในสองปีหลังจากผลิต น้ำมันชีวภาพจะเริ่มมีคุณสมบัติเหนียวหนืด และทำให้เกิดความเสียหายต่อปั๊ม น้ำมันและส่วนประกอบต่างๆ ในระบบหล่อลื่น

- ก่อนนำเลื่อยโซ่ยนต์ไปเก็บไม่ใช้งานเป็นเวลานาน ให้กำจัดน้ำมันออกจากถังให้หมดและเติมน้ำมันเครื่อง (SAE 30) ปริมาณเล็กน้อย
- เดินเครื่องเลื่อยโซ่ยนต์เป็นเวลาสั้นๆ เพื่อล้างน้ำมันชีวภาพที่ตกค้างอยู่ในถัง ระบบหล่อลื่น และกลไกโซ่ ออกให้หมด

หมายเหตุ:

- เมื่อเลื่อยโซ่ยนต์ถูกดัดใช้งาน น้ำมันโซ่ปริมาณเล็กน้อยจะรั่วไหลออกจากเลื่อยเมื่อระยะเวลาผ่านไป ประมาณหนึ่งหลังจากนั้น ซึ่งถือเป็นเรื่องปกติและไม่ใช้สัญญาณของความผิดปกติแต่อย่างใด

เก็บรักษาเลื่อยโซ่ยนต์ไว้บนพื้นผิวที่เหมาะสม

ก่อนนำเลื่อยโซ่ยนต์กลับมาใช้งาน เติมน้ำมันให้เต็มด้วยน้ำมันโซ่เลื่อย BIOTOP

เพื่อความปลอดภัยและความน่าเชื่อถือของผลิตภัณฑ์ ควรให้ศูนย์บริการที่ได้รับการรับรองจาก Makita เป็นผู้ดำเนินการซ่อมแซม ตรวจสอบและเปลี่ยนแปลงคาร์บอน บำรุงรักษา หรือทำการปรับตั้งอื่นๆ นอกจากนี้ให้ใช้อะไหล่ของแท้ของ Makita เสมอ

การแก้ไขปัญหา

ก่อนนำไปซ่อม ให้ทำการตรวจสอบด้วยตัวเองก่อน หากพบปัญหาที่ไม่มีอธิบายในคู่มือการใช้งาน อย่าพยายามถอดแยกเครื่องมือ โปรดสอบถามศูนย์ให้บริการที่ผ่านการรับรองจาก Makita

สถานะการทำงานที่ผิดปกติ	สาเหตุที่เป็นไปได้	การแก้ไข
เลื่อยโซ่ยนต์ไม่เริ่มทำงาน	ไม่มีการจ่ายไฟฟ้า	เชื่อมต่อกับแหล่งจ่ายไฟ ตรวจสอบแหล่งจ่ายไฟ
	สายไฟชำรุด	หยุดใช้เครื่องมือทันทีและติดต่อศูนย์บริการที่ผ่านการรับรอง ในท้องถิ่นของคุณ
	การทำงานผิดพลาดของ เครื่องมือ	หยุดใช้เครื่องมือทันทีและติดต่อศูนย์บริการที่ผ่านการรับรอง ในท้องถิ่นของคุณ
โซ่ไม่ขยับ	มีการเปิดใช้งานเบรกโซ่	ปล่อยเบรกโซ่
ประสิทธิภาพไม่เพียงพอ	แปรงคาร์บอนสึก	สอบถามศูนย์บริการที่ได้รับการรับรองใกล้บ้านคุณเพื่อ ทำการซ่อมแซม
ไม่มีน้ำมันอยู่บนโซ่	ถังน้ำมันว่างเปล่า	เติมลงในถังน้ำมัน
	ร่องนำน้ำมันสกปรก	ทำความสะอาดร่องน้ำมัน
	สกรูปรับปั้มน้ำมันถูกปรับ อย่างไม่ถูกต้อง	ปรับอัตราการจ่ายน้ำมันของปั้ม
โซ่ไม่หยุดทำงานถึงแม้ว่า จะมีการใช้งานเบรกโซ่	แถบเบรกชำรุด	หยุดใช้เครื่องมือทันทีและติดต่อศูนย์บริการที่ผ่านการรับรอง ในท้องถิ่นของคุณ
เครื่องมือสั่นผิดปกติ	แผ่นบังคับโซ่หรือโซ่เลื่อย หลวม	ปรับแรงตึงของแผ่นบังคับโซ่และโซ่เลื่อย
	การทำงานผิดพลาดของ เครื่องมือ	หยุดใช้เครื่องมือทันทีและติดต่อศูนย์บริการที่ผ่านการรับรอง ในท้องถิ่นของคุณ

อุปกรณ์เสริม

ข้อควรระวัง:

- ขอแนะนำให้ใช้เฉพาะอุปกรณ์เสริมหรืออุปกรณ์ต่อพ่วงเหล่านี้กับเครื่องมือ Makita ที่ระบุในคู่มือ การใช้อุปกรณ์เสริมหรืออุปกรณ์ต่อพ่วงอื่นๆ อาจมีความเสี่ยงที่จะได้รับบาดเจ็บ ใช้อุปกรณ์เสริมหรืออุปกรณ์ต่อพ่วงตามวัตถุประสงค์ที่ระบุไว้เท่านั้น

หากต้องการทราบรายละเอียดเพิ่มเติมเกี่ยวกับอุปกรณ์เสริมเหล่านี้ โปรดสอบถามศูนย์บริการ Makita ใกล้บ้านคุณ

- โซ่เลื่อย
- ฝาครอบแผ่นบังคับโซ่
- แผ่นบังคับโซ่
- เกจวัดโซ่
- ตะไบกลม 4.0 mm
- ตะไบกลม 4.5 mm
- ตะไบแบน
- ที่จับตะไบพร้อมตะไบ 4.0 mm
- ที่จับตะไบพร้อมตะไบ 4.5 mm
- มือจับตะไบ
- น้ำมันโซ่เลื่อย
- จาระบือนกประสงค์
- ปีนึงจาระบี

หมายเหตุ:

- อุปกรณ์บางรายการอาจรวมอยู่ในชุดอุปกรณ์พื้นฐานของผลิตภัณฑ์ ซึ่งอาจแตกต่างกันไปในแต่ละประเทศ

Makita Corporation
3-11-8, Sumiyoshi-cho,
Anjo, Aichi 446-8502 Japan
www.makita.com

885254C375
EN, ZHCN, ID, MS,
VI, TH
20190923