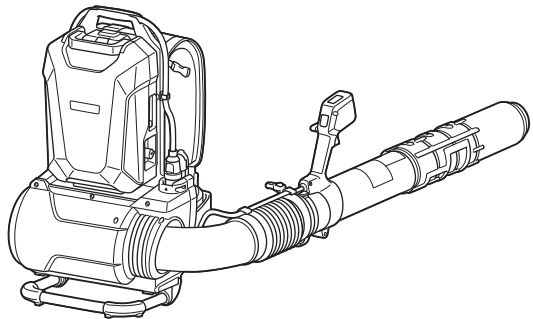




EN	Battery Powered Backpack Blower	INSTRUCTION MANUAL	7
ZHCN	充电背负式吹风机	使用说明书	17
ID	Blower Ransel Bertenaga Baterai	PETUNJUK PENGGUNAAN	27
MS	Penghembus Beg Galas Berkuasa Bateri	MANUAL ARAHAN	38
VI	Máy Thổi Đeo Vai Hoạt Động Bằng Pin	TÀI LIỆU HƯỚNG DẪN	49
TH	เครื่องเป่าลมสะพายหลังพลังงานแบตเตอรี่	คู่มือการใช้งาน	59

UB002C



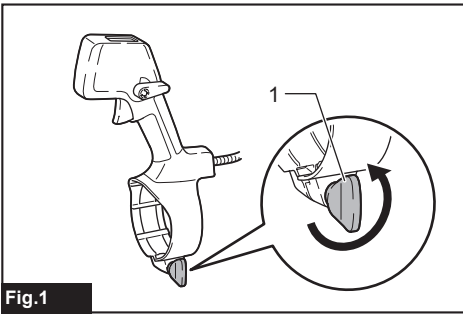


Fig.1

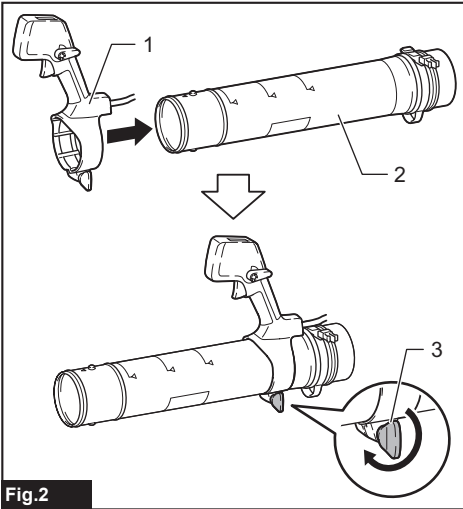


Fig.2

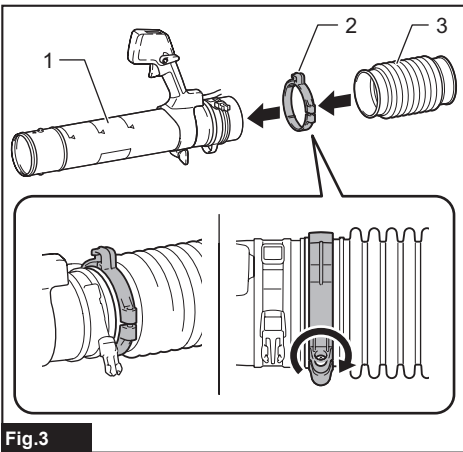


Fig.3

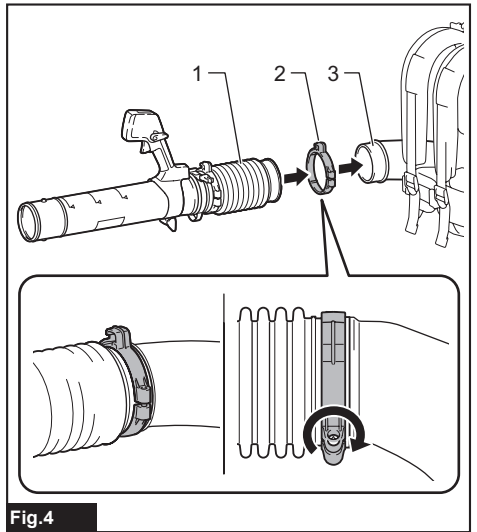


Fig.4

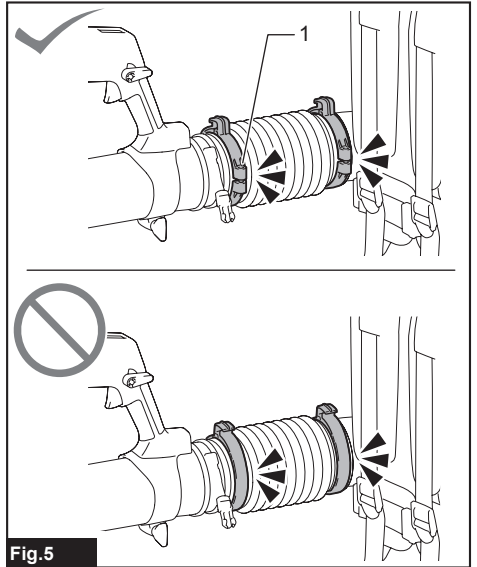


Fig.5

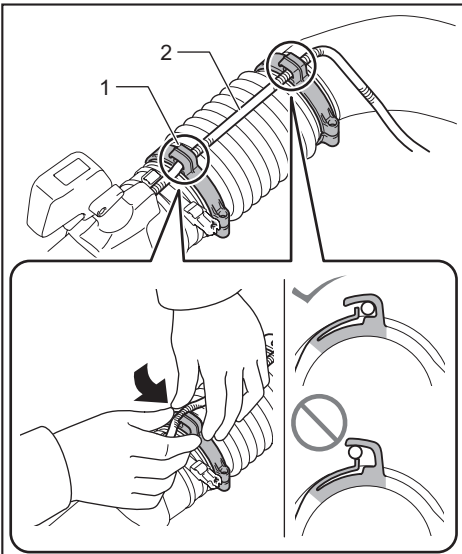


Fig.6

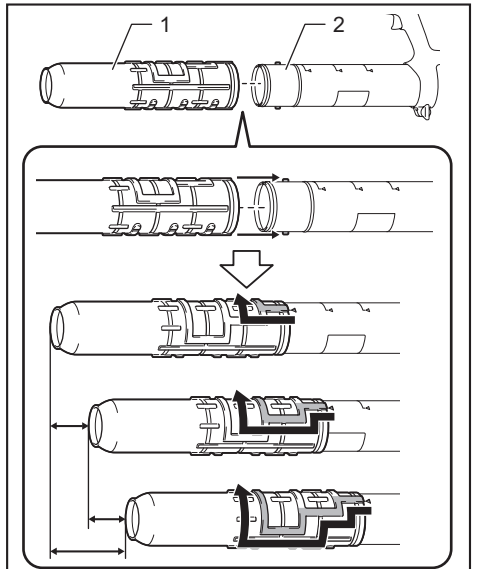


Fig.8

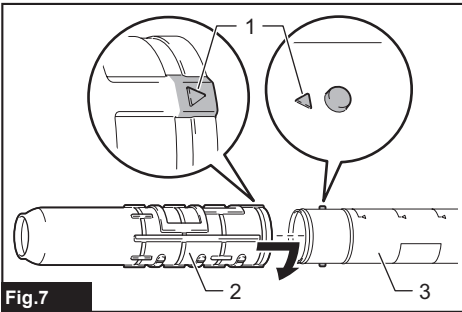


Fig.7

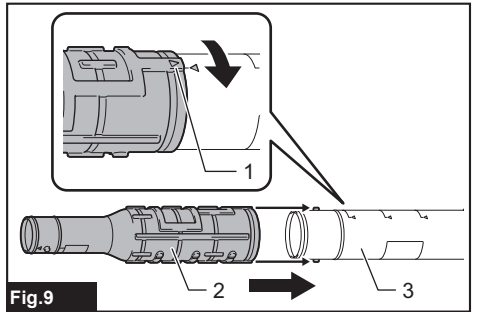


Fig.9

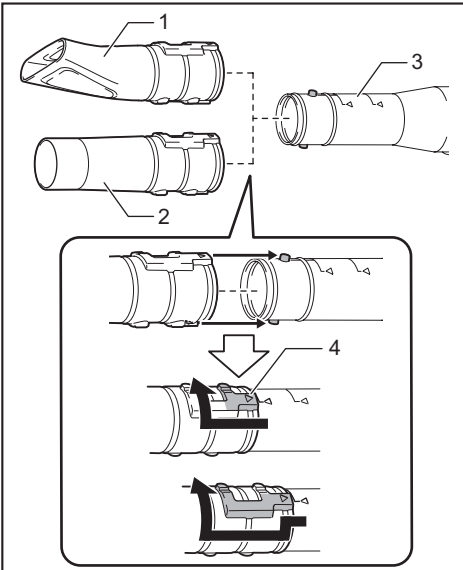


Fig. 10

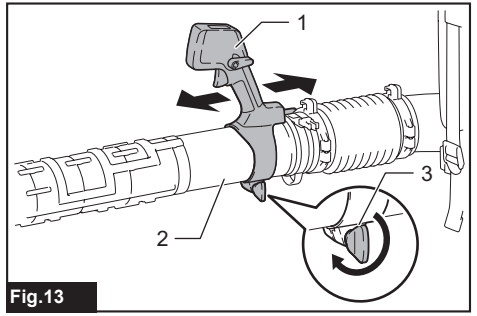


Fig. 13

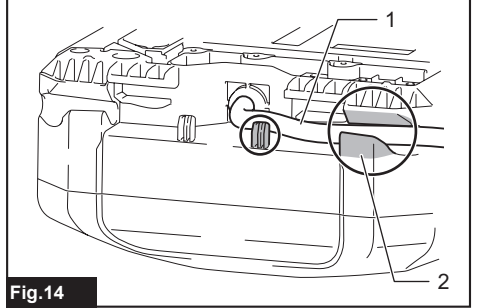


Fig. 14

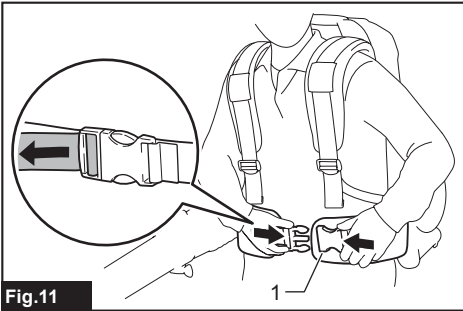


Fig. 11

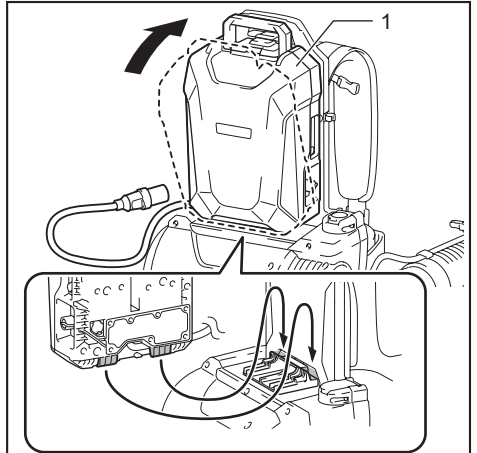


Fig. 15

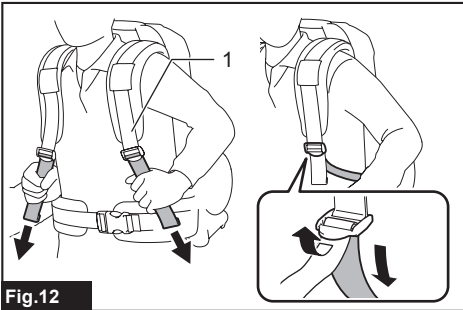


Fig. 12

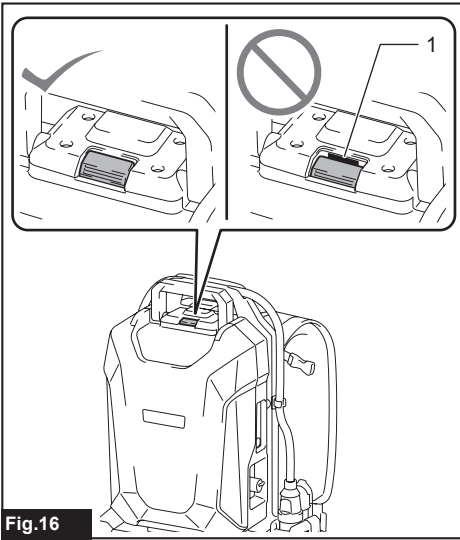


Fig. 16

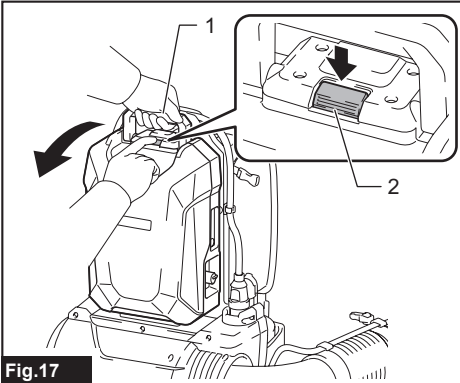


Fig. 17

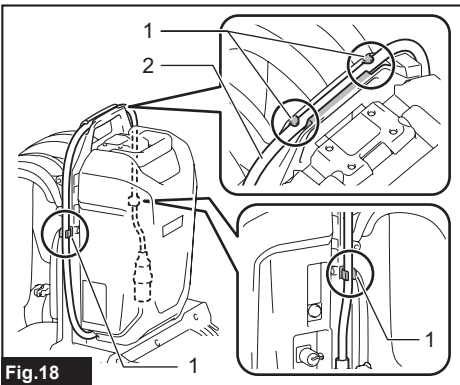


Fig. 18

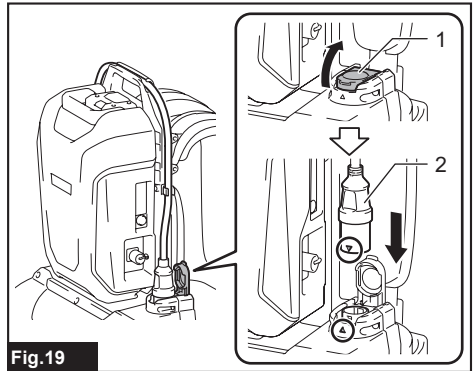


Fig. 19

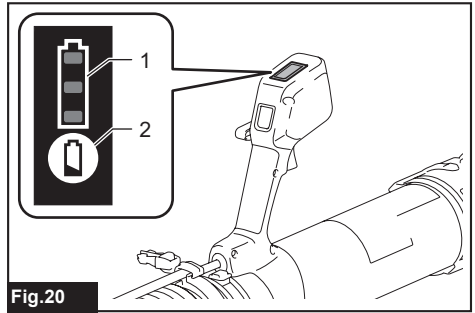


Fig. 20

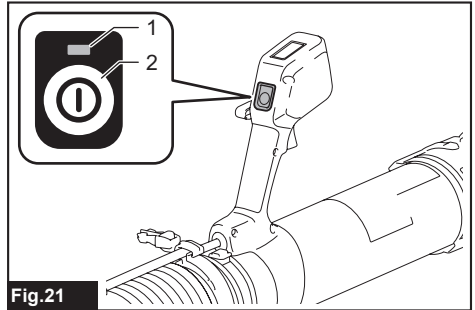


Fig. 21

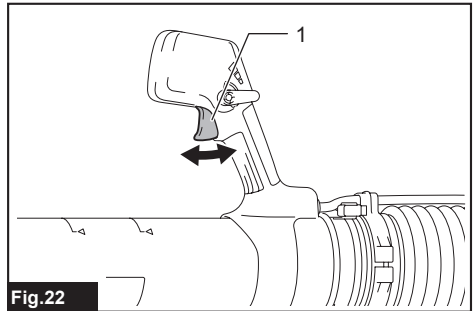


Fig. 22

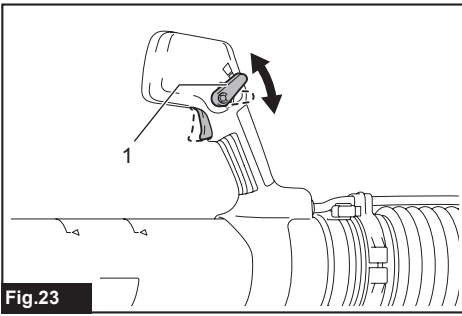


Fig.23

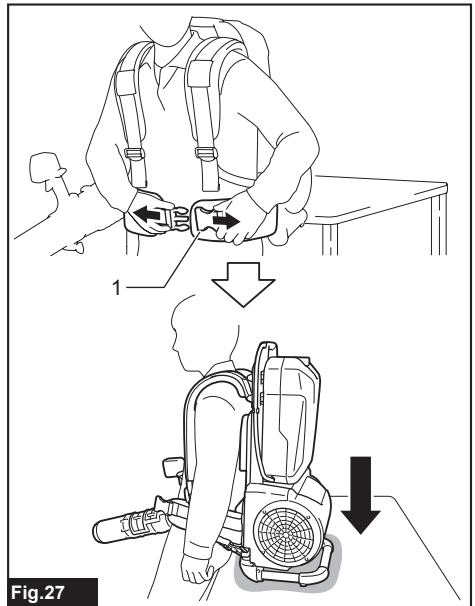


Fig.27

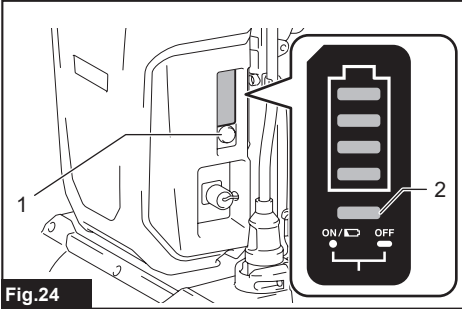


Fig.24

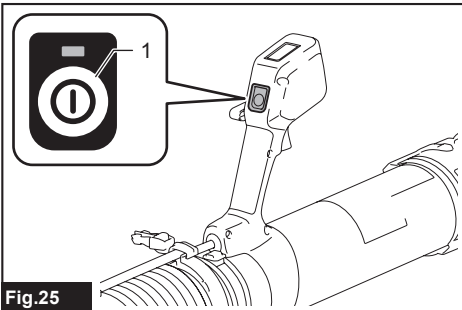


Fig.25

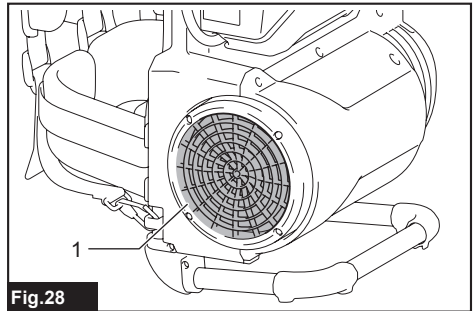


Fig.28

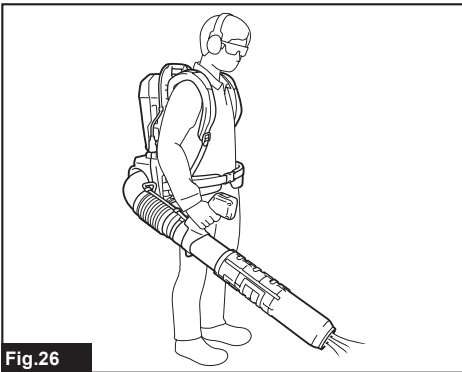


Fig.26

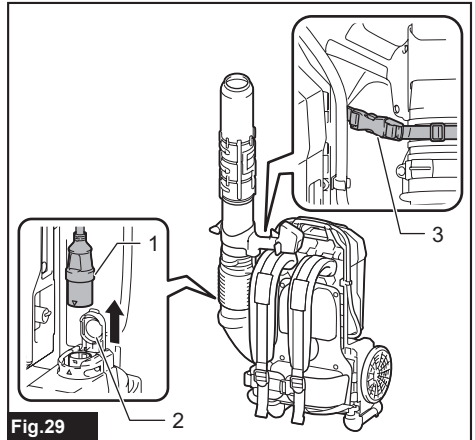


Fig.29

SPECIFICATIONS

Model:		UB002C
Capacities	Air volume	0 - 19.0 m ³ /min
	Air speed (average)	0 - 60.0 m/s
	Air speed (max.)	0 - 71.7 m/s
Dimensions (L x W x H) (with end nozzle)		1,368 mm x 694 mm x 715 mm
Rated voltage		D.C. 36 V - 40 V max
Net weight		15.9 - 16.1 kg
Protection degree		IPX4

- Due to our continuing program of research and development, the specifications herein are subject to change without notice.
- Specifications may differ from country to country.
- The weight may differ depending on the attachment(s), including the battery cartridge. The lightest and heaviest combinations, according to EPTA-Procedure 01/2014, are shown in the table.








Applicable portable power pack

PDC1200

⚠ WARNING: Only use the portable power packs listed above. Use of any other portable power packs may cause injury and/or fire.

Symbols

The followings show the symbols which may be used for the equipment. Be sure that you understand their meaning before use.

	Take particular care and attention.
	Read instruction manual.
	Keep hands away from rotating parts.
	Long hair may cause entanglement accident.
	Keep bystanders away.
	Wear eye and ear protection.
	Do not expose to moisture.



Only for EU countries
Due to the presence of hazardous components in the equipment, waste electrical and electronic equipment, accumulators and batteries may have a negative impact on the environment and human health. Do not dispose of electrical and electronic appliances or batteries with household waste!

In accordance with the European Directive on waste electrical and electronic equipment and on accumulators and batteries and waste accumulators and batteries, as well as their adaptation to national law, waste electrical equipment, batteries and accumulators should be stored separately and delivered to a separate collection point for municipal waste, operating in accordance with the regulations on environmental protection. This is indicated by the symbol of the crossed-out wheeled bin placed on the equipment.



Guaranteed sound power level according to EU Outdoor Noise Directive.



Sound power level according to Australia NSW Noise Control Regulation.

Intended use

The machine is intended for blowing dust.

About this instruction manual

The term "battery", "battery cartridge", or "battery pack" in this instruction manual refers to "portable power pack".

SAFETY WARNINGS

General power tool safety warnings

⚠ WARNING: Read all safety warnings, instructions, illustrations and specifications provided with this power tool. Failure to follow all instructions listed below may result in electric shock, fire and/or serious injury.

Save all warnings and instructions for future reference.

The term "power tool" in the warnings refers to your mains-operated (corded) power tool or battery-operated (cordless) power tool.

Work area safety

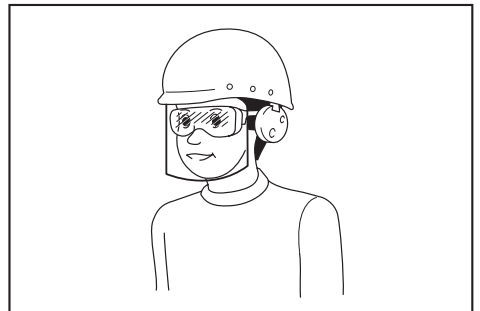
1. **Keep work area clean and well lit.** Cluttered or dark areas invite accidents.
2. **Do not operate power tools in explosive atmospheres, such as in the presence of flammable liquids, gases or dust.** Power tools create sparks which may ignite the dust or fumes.
3. **Keep children and bystanders away while operating a power tool.** Distractions can cause you to lose control.

Electrical safety

1. **Power tool plugs must match the outlet. Never modify the plug in any way. Do not use any adapter plugs with earthed (grounded) power tools.** Unmodified plugs and matching outlets will reduce risk of electric shock.
2. **Avoid body contact with earthed or grounded surfaces, such as pipes, radiators, ranges and refrigerators.** There is an increased risk of electric shock if your body is earthed or grounded.
3. **Do not expose power tools to rain or wet conditions.** Water entering a power tool will increase the risk of electric shock.
4. **Do not abuse the cord. Never use the cord for carrying, pulling or unplugging the power tool. Keep cord away from heat, oil, sharp edges or moving parts.** Damaged or entangled cords increase the risk of electric shock.
5. **When operating a power tool outdoors, use an extension cord suitable for outdoor use.** Use of a cord suitable for outdoor use reduces the risk of electric shock.
6. **If operating a power tool in a damp location is unavoidable, use a residual current device (RCD) protected supply.** Use of an RCD reduces the risk of electric shock.
7. **Power tools can produce electromagnetic fields (EMF) that are not harmful to the user.** However, users of pacemakers and other similar medical devices should contact the maker of their device and/or doctor for advice before operating this power tool.

Personal safety

1. **Stay alert, watch what you are doing and use common sense when operating a power tool. Do not use a power tool while you are tired or under the influence of drugs, alcohol or medication.** A moment of inattention while operating power tools may result in serious personal injury.
2. **Use personal protective equipment. Always wear eye protection.** Protective equipment such as a dust mask, non-skid safety shoes, hard hat or hearing protection used for appropriate conditions will reduce personal injuries.
3. **Prevent unintentional starting. Ensure the switch is in the off-position before connecting to power source and/or battery pack, picking up or carrying the tool.** Carrying power tools with your finger on the switch or energising power tools that have the switch on invites accidents.
4. **Remove any adjusting key or wrench before turning the power tool on.** A wrench or a key left attached to a rotating part of the power tool may result in personal injury.
5. **Do not overreach. Keep proper footing and balance at all times.** This enables better control of the power tool in unexpected situations.
6. **Dress properly. Do not wear loose clothing or jewellery. Keep your hair and clothing away from moving parts.** Loose clothes, jewellery or long hair can be caught in moving parts.
7. **If devices are provided for the connection of dust extraction and collection facilities, ensure these are connected and properly used.** Use of dust collection can reduce dust-related hazards.
8. **Do not let familiarity gained from frequent use of tools allow you to become complacent and ignore tool safety principles.** A careless action can cause severe injury within a fraction of a second.
9. **Always wear protective goggles to protect your eyes from injury when using power tools. The goggles must comply with ANSI Z87.1 in the USA, EN 166 in Europe, or AS/NZS 1336 in Australia/New Zealand. In Australia/New Zealand, it is legally required to wear a face shield to protect your face, too.**



It is an employer's responsibility to enforce the use of appropriate safety protective equipments by the tool operators and by other persons in the immediate working area.

Power tool use and care

1. **Do not force the power tool. Use the correct power tool for your application.** The correct power tool will do the job better and safer at the rate for which it was designed.
2. **Do not use the power tool if the switch does not turn it on and off.** Any power tool that cannot be controlled with the switch is dangerous and must be repaired.
3. **Disconnect the plug from the power source and/or remove the battery pack, if detachable, from the power tool before making any adjustments, changing accessories, or storing power tools.** Such preventive safety measures reduce the risk of starting the power tool accidentally.
4. **Store idle power tools out of the reach of children and do not allow persons unfamiliar with the power tool or these instructions to operate the power tool.** Power tools are dangerous in the hands of untrained users.
5. **Maintain power tools and accessories. Check for misalignment or binding of moving parts, breakage of parts and any other condition that may affect the power tool's operation. If damaged, have the power tool repaired before use.** Many accidents are caused by poorly maintained power tools.
6. **Keep cutting tools sharp and clean.** Properly maintained cutting tools with sharp cutting edges are less likely to bind and are easier to control.
7. **Use the power tool, accessories and tool bits etc. in accordance with these instructions, taking into account the working conditions and the work to be performed.** Use of the power tool for operations different from those intended could result in a hazardous situation.
8. **Keep handles and grasping surfaces dry, clean and free from oil and grease.** Slippery handles and grasping surfaces do not allow for safe handling and control of the tool in unexpected situations.
9. **When using the tool, do not wear cloth work gloves which may be entangled.** The entanglement of cloth work gloves in the moving parts may result in personal injury.

Battery tool use and care

1. **Recharge only with the charger specified by the manufacturer.** A charger that is suitable for one type of battery pack may create a risk of fire when used with another battery pack.
2. **Use power tools only with specifically designated battery packs.** Use of any other battery packs may create a risk of injury and fire.
3. **When battery pack is not in use, keep it away from other metal objects, like paper clips, coins, keys, nails, screws or other small metal objects, that can make a connection from one terminal to another.** Shorting the battery terminals together may cause burns or a fire.
4. **Under abusive conditions, liquid may be ejected from the battery; avoid contact. If contact accidentally occurs, flush with water. If liquid contacts eyes, additionally seek medical help.** Liquid ejected from the battery may cause irritation or burns.

5. **Do not use a battery pack or tool that is damaged or modified.** Damaged or modified batteries may exhibit unpredictable behaviour resulting in fire, explosion or risk of injury.
6. **Do not expose a battery pack or tool to fire or excessive temperature.** Exposure to fire or temperature above 130 °C may cause explosion.
7. **Follow all charging instructions and do not charge the battery pack or tool outside the temperature range specified in the instructions.** Charging improperly or at temperatures outside the specified range may damage the battery and increase the risk of fire.

Service

1. **Have your power tool serviced by a qualified repair person using only identical replacement parts.** This will ensure that the safety of the power tool is maintained.
2. **Never service damaged battery packs.** Service of battery packs should only be performed by the manufacturer or authorized service providers.
3. **Follow instruction for lubricating and changing accessories.**

Battery Powered Backpack Blower Safety Instructions

⚠WARNING: Read all safety warnings and all instructions. Failure to follow the warnings and instructions may result in electric shock, fire and/or serious injury.

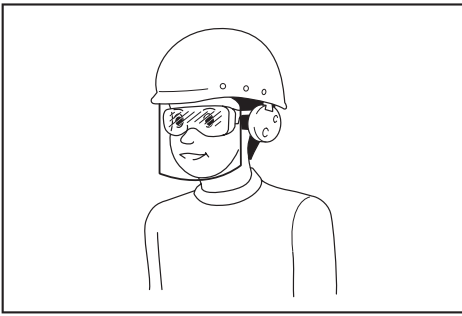
Save all warnings and instructions for future reference.

Training

1. **Read the instructions carefully. Be familiar with the controls and the correct use of the blower.**
2. **Never allow children, persons with reduced physical, sensory or mental capabilities or lack of experience and knowledge or people unfamiliar with these instructions to use the blower.** Local regulations may restrict the age of the operator.
3. **Never operate the blower while people, especially children, or pets are nearby.**
4. **Keep in mind that the operator or user is responsible for accidents or hazards occurring to other people or their property.**

Preparation

1. **Always wear substantial footwear and long trousers while operating the blower.**
2. **Do not wear loose clothing or jewellery that can be drawn into the air inlet. Keep long hair away from the air inlets.**
3. **Always wear protective goggles to protect your eyes from injury when using power tools. The goggles must comply with ANSI Z87.1 in the USA, EN 166 in Europe, or AS/NZS 1336 in Australia/New Zealand. In Australia/New Zealand, it is legally required to wear a face shield to protect your face, too.**



It is an employer's responsibility to enforce the use of appropriate safety protective equipments by the tool operators and by other persons in the immediate working area.

4. To prevent dust irritation the wearing of a face mask is recommended.
5. While operating the machine, always wear non-slip and protective footwear. Non-skid, closed-toed safety boots and shoes will reduce the risk of injury.

Operation

1. Switch off the blower and remove the battery cartridge and make sure that all moving parts have come to a complete stop
 - whenever you leave the blower.
 - before clearing blockages.
 - before checking, cleaning or working on the blower.
 - if the blower starts to vibrate abnormally.
2. Operate the blower only in daylight or in good artificial light.
3. Do not overreach and keep proper balance and footing at all times.
4. Always be sure of your footing on slopes.
5. Walk, never run.
6. Keep all cooling air inlets clear of debris.
7. Never blow debris in the direction of bystanders.
8. Operate the blower in a recommended position and on a firm surface.
9. Do not operate the blower at high places.
10. Never point the nozzle at anyone in the vicinity when using the blower.
11. Never block suction inlet and/or blower outlet.
 - Be careful not to block suction inlet or blower outlet with dust or dirt when operating in dusty area.
 - Do not use nozzles other than the nozzles provided by Makita.
 - Do not use the blower to inflate balls, rubber boat or the similar.
12. Do not operate the blower near open window, etc.
13. Operating the blower only at reasonable hours is recommended - not early in the morning or late at night when people might be disturbed.
14. Using rakes and brooms to loosen debris before blowing is recommended.

15. It is recommended to use the long nozzle so the air stream can work close to the ground.
16. If the blower strikes any foreign objects or should start making any unusual noise or vibration, immediately switch off the blower to stop it. Remove the battery cartridge from the blower and inspect the blower for damage before restarting and operating the blower. If the blower is damaged, ask Makita Authorized Service Centers for repair.
17. Do not insert fingers or other objects into suction inlet or blower outlet.
18. Prevent unintentional starting. Ensure the switch is in the off-position before inserting battery cartridge, picking up or carrying the blower. Carrying the blower with your finger on the switch or energizing the blower that has the switch on invites accidents.
19. Never blow dangerous materials, such as nails, fragments of glass, or blades.
20. Do not operate the blower near flammable materials.
21. Avoid operating the blower for a long time in low temperature environment.
22. Do not use the machine when there is a risk of lighting.
23. When you use the machine on muddy ground, wet slope, or slippery place, pay attention to your footing.
24. Do not use the machine in bad weather where visibility is limited. Failure to do so may cause fall or incorrect operation due to low visibility.
25. Do not submerge the machine into a puddle.
26. Do not leave the machine unattended outdoors in the rain.
27. Do not use the machine in the snow.
28. During operation, keep the cord away from obstacles. The cord caught by obstacles may cause serious injury.

Maintenance and storage

1. Keep all nuts, bolts and screws tight to be sure the blower is in safe working condition.
2. If the parts are worn or damaged, replace them with parts provided by Makita.
3. Store the blower in a dry place out of the reach of children.
4. When you stop the blower for inspection, servicing, storage, or changing accessory, switch off the blower and make sure that all moving parts come to a complete stop, and remove the battery cartridge. Cool down the blower before making any work on the blower. Maintain the blower with care and keep it clean.
5. Always cool down the blower before storing.
6. Do not expose the blower to rain. Store the blower indoors.
7. When you lift the blower, be sure to bend your knees and be careful not to hurt your back.
8. When washing the machine, do not let water enter the electrical mechanism such as battery, motor, and terminals.

9. When storing the machine, avoid direct sunlight and rain, and store it in a place where it does not get hot or humid.
10. When carrying the machine, be sure to hold the machine firmly by holding the handle of machine.
11. When carrying the machine, be careful not to get the cord caught by obstacles.

Battery tool use and care

1. **Recharge only with the charger specified by the manufacturer.** A charger that is suitable for one type of battery pack may create a risk of fire when used with another battery pack.
2. **Use power tools only with specifically designed battery packs.** Use of any other battery packs may create a risk of injury and fire.
3. **When battery pack is not in use, keep it away from other metal objects, like paper clips, coins, keys, nails, screws or other small metal objects, that can make a connection from one terminal to another.** Shorting the battery terminals together may cause burns or a fire.
4. **Under abusive conditions, liquid may be ejected from the battery; avoid contact. If contact accidentally occurs, flush with water. If liquid contacts eyes, additionally seek medical help.** Liquid ejected from the battery may cause irritation or burns.
5. **Do not use a battery pack or tool that is damaged or modified.** Damaged or modified batteries may exhibit unpredictable behaviour resulting in fire, explosion or risk of injury.
6. **Do not expose a battery pack or tool to fire or excessive temperature.** Exposure to fire or temperature above 130 °C may cause explosion.
7. **Follow all charging instructions and do not charge the battery pack or tool outside the temperature range specified in the instructions.** Charging improperly or at temperatures outside the specified range may damage the battery and increase the risk of fire.

Electrical and battery safety

1. **Do not dispose of the battery(ies) in a fire.** The cell may explode. Check with local codes for possible special disposal instructions.
2. **Do not open or mutilate the battery(ies).** Released electrolyte is corrosive and may cause damage to the eyes or skin. It may be toxic if swallowed.
3. **Do not charge battery in rain, or in wet locations.**
4. **Do not charge the battery outdoors.**
5. **Do not handle charger, including charger plug, and charger terminals with wet hands.**
6. **Do not replace the battery with wet hands.**
7. **Do not replace the battery in the rain.**
8. **Do not wet the terminal of battery with liquid such as water, or submerge the battery. Do not leave the battery in the rain, nor charge, use, or store the battery in a damp or wet place.** If the terminal gets wet or liquid enters inside of battery, the battery may be short circuited and there is a risk of overheat, fire, or explosion.

9. After removing the battery from the machine or charger, be sure to store it in a dry place.
10. If the battery cartridge gets wet, drain the water inside and then wipe it with a dry cloth. Dry the battery cartridge completely in a dry place before use.

Service

1. **Have your power tool serviced by a qualified repair person using only identical replacement parts.** This will ensure that the safety of the power tool is maintained.
2. **Never service damaged battery packs.** Service of battery packs should only be performed by the manufacturer or authorized service providers.

SAVE THESE INSTRUCTIONS.

⚠WARNING: DO NOT let comfort or familiarity with product (gained from repeated use) replace strict adherence to safety rules for the subject product.

MISUSE or failure to follow the safety rules stated in this instruction manual may cause serious personal injury.

Important safety instructions for battery cartridge

1. **Before using battery cartridge, read all instructions and cautionary markings on (1) battery charger, (2) battery, and (3) product using battery.**
2. **Do not disassemble or tamper with the battery cartridge.** It may result in a fire, excessive heat, or explosion.
3. **If operating time has become excessively shorter, stop operating immediately.** It may result in a risk of overheating, possible burns and even an explosion.
4. **If electrolyte gets into your eyes, rinse them out with clear water and seek medical attention right away.** It may result in loss of your eyesight.
5. **Do not short the battery cartridge:**
 - (1) **Do not touch the terminals with any conductive material.**
 - (2) **Avoid storing battery cartridge in a container with other metal objects such as nails, coins, etc.**
 - (3) **Do not expose battery cartridge to water or rain.**

A battery short can cause a large current flow, overheating, possible burns and even a breakdown.
6. **Do not store and use the tool and battery cartridge in locations where the temperature may reach or exceed 50 °C (122 °F).**
7. **Do not incinerate the battery cartridge even if it is severely damaged or is completely worn out.** The battery cartridge can explode in a fire.
8. **Do not nail, cut, crush, throw, drop the battery cartridge, or hit against a hard object to the battery cartridge.** Such conduct may result in a fire, excessive heat, or explosion.

9. **Do not use a damaged battery.**
10. **The contained lithium-ion batteries are subject to the Dangerous Goods Legislation requirements.**
For commercial transports e.g. by third parties, forwarding agents, special requirement on packaging and labeling must be observed.
For preparation of the item being shipped, consulting an expert for hazardous material is required.
Please also observe possibly more detailed national regulations.
Tape or mask off open contacts and pack up the battery in such a manner that it cannot move around in the packaging.
11. **When disposing the battery cartridge, remove it from the tool and dispose of it in a safe place. Follow your local regulations relating to disposal of battery.**
12. **Use the batteries only with the products specified by Makita.** Installing the batteries to non-compliant products may result in a fire, excessive heat, explosion, or leak of electrolyte.
13. **If the tool is not used for a long period of time, the battery must be removed from the tool.**
14. **During and after use, the battery cartridge may take on heat which can cause burns or low temperature burns. Pay attention to the handling of hot battery cartridges.**
15. **Do not touch the terminal of the tool immediately after use as it may get hot enough to cause burns.**
16. **Do not allow chips, dust, or soil stuck into the terminals, holes, and grooves of the battery cartridge.** It may cause heating, catching fire, burst and malfunction of the tool or battery cartridge, resulting in burns or personal injury.
17. **Unless the tool supports the use near high-voltage electrical power lines, do not use the battery cartridge near a high-voltage electrical power lines.** It may result in a malfunction or breakdown of the tool or battery cartridge.
18. **Keep the battery away from children.**

SAVE THESE INSTRUCTIONS.

CAUTION: Only use genuine Makita batteries. Use of non-genuine Makita batteries, or batteries that have been altered, may result in the battery bursting causing fires, personal injury and damage. It will also void the Makita warranty for the Makita tool and charger.

Tips for maintaining maximum battery life

1. **Charge the battery cartridge before completely discharged. Always stop tool operation and charge the battery cartridge when you notice less tool power.**
2. **Never recharge a fully charged battery cartridge. Overcharging shortens the battery service life.**
3. **Charge the battery cartridge with room temperature at 10 °C - 40 °C (50 °F - 104 °F). Let a hot battery cartridge cool down before charging it.**

4. **When not using the battery cartridge, remove it from the tool or the charger.**
5. **Charge the battery cartridge if you do not use it for a long period (more than six months).**

ASSEMBLY

CAUTION: Always be sure that the machine is switched off and the battery cartridge is removed before carrying out any work on the machine.

Assembling blower pipes

1. Loosen the clamp screw.
► **Fig.1:** 1. Clamp screw
2. Install the control handle to the swivel pipe and tighten the clamp screw.
► **Fig.2:** 1. Control handle 2. Swivel pipe 3. Clamp screw

NOTICE: Be careful not to twist the cable of the control handle when attaching the control handle to the swivel pipe.

3. Loosen the screw on the hose clamp, and then attach the hose clamp to the flexible pipe. Attach the swivel pipe to the flexible pipe, and then tighten the screw on the hose clamp.
► **Fig.3:** 1. Swivel pipe 2. Hose clamp 3. Flexible pipe
4. Loosen the screw on the hose clamp, and then attach the hose clamp to the flexible pipe. Attach the flexible pipe to the elbow, and then tighten the screw on the hose clamp.
► **Fig.4:** 1. Flexible pipe 2. Hose clamp 3. Elbow

NOTICE: Make sure that the screws on the hose clamps are facing the direction shown in the figure.

- **Fig.5:** 1. Screw
5. Clamp the control cable to the cable holders.
► **Fig.6:** 1. Cable holder 2. Control cable

NOTICE: Make sure that the control cable is securely fixed to the cable holders.

Installing the end nozzle

Align the triangle mark on the end nozzle with that on the swivel pipe, then attach the end nozzle to the swivel pipe, and then turn the end nozzle to lock it into place.
► **Fig.7:** 1. Triangle mark 2. End nozzle 3. Swivel pipe

To remove the end nozzle, perform the installation procedure in reverse.

NOTE: The length of the nozzle can be changed by moving the nozzle as shown in the figure.

- **Fig.8:** 1. End nozzle 2. Swivel pipe

Installing the flat nozzle or extension nozzle

Optional accessory

NOTE: If the end nozzle is installed, remove it before installing the adapter pipe.

1. Align the triangle mark on the adapter pipe with that on the swivel pipe, then attach the adapter pipe to the swivel pipe, and then turn it to lock it into place.

► **Fig.9:** 1. Triangle mark 2. Adapter pipe 3. Swivel pipe

2. Align the triangle mark on the flat nozzle or extension nozzle with that on the adapter pipe, then attach the flat nozzle or extension nozzle to the adapter pipe, and then turn it to lock it into place.

► **Fig.10:** 1. Flat nozzle 2. Extension nozzle 3. Adapter pipe 4. Triangle mark

To remove the adapter pipe, flat nozzle, or extension nozzle, perform the installation procedure in reverse.

Adjusting the belt and shoulder harness

1. Put on the machine, then lock the buckle of the waist belt, and then adjust the length of the waist belt.

► **Fig.11:** 1. Buckle

2. Adjust the length of the shoulder harness.

► **Fig.12:** 1. Shoulder harness

Adjusting the control lever position

Loosen the clamp screw. Move the control handle along the swivel pipe to the most comfortable position, and then tighten the clamp screw.

► **Fig.13:** 1. Control handle 2. Swivel pipe 3. Clamp screw

FUNCTIONAL DESCRIPTION

CAUTION: Always be sure that the machine is switched off and the battery cartridge is removed before adjusting or checking function on the machine.

Installing or removing portable power pack

CAUTION: Always switch off the machine before installing or removing the portable power pack.

CAUTION: Hold the machine and the portable power pack firmly when installing or removing portable power pack. Failure to hold them firmly may cause them to slip off your hands and result in damage to the machine and portable power pack and a personal injury.

CAUTION: Make sure that the portable power pack is securely installed to the machine. If not, it may accidentally fall out of the machine, causing injury to you or someone around you.

CAUTION: Before operation, make sure that the cord is securely attached to the cord holders and the socket is inserted into the plug all the way.

1. Pull out the cord to the direction as shown in the figure. When pulling out the cord, be sure to set the cord in the holders as shown in the figure.

► **Fig.14:** 1. Cord 2. Holder

2. Install the portable power pack to the machine as shown in the figure.

► **Fig.15:** 1. Portable power pack

CAUTION: Be careful not to pinch your fingers or thumbs between the portable power pack and the machine when installing the portable power pack.

CAUTION: Make sure that the portable power pack is securely fixed to the machine. Otherwise, the portable power pack may fall when you put on the machine or use the machine, and cause an injury. If you can see the red indicator as shown in the figure, the portable power pack is not locked completely.

► **Fig.16:** 1. Red indicator

CAUTION: When removing the portable power pack, press the lock button while holding the handle firmly.

► **Fig.17:** 1. Handle 2. Lock button

3. Attach the cord to the cord holders as shown in the figure.

► **Fig.18:** 1. Cord holder 2. Cord

4. Open the plug cover, then align the arrow mark on the socket with that on the machine, and then insert the socket into the plug all the way.

► **Fig.19:** 1. Plug cover 2. Socket

NOTICE: Do not insert the socket forcibly. If the socket cannot be inserted easily, it is not being inserted correctly.






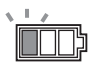
NOTICE: When disconnecting the socket from the plug, do not hold the cord but hold the socket. Otherwise, the cord may be damaged and cause a malfunction of the machine.

To remove the portable power pack, perform the installation procedure in reverse.

Indicating the remaining battery capacity

► **Fig.20:** 1. Battery indicator 2. Check button

Press the check button to indicate the remaining battery capacity.

Battery indicator status			Remaining battery capacity
On	Off	Blinking	
			 50% to 100%
			
			

NOTE: The indicator lamp for remaining battery capacity is just for a reference. The actual battery capacity may differ depending on the usage conditions or ambient temperature.

NOTE: While the machine is in operation, the indicator lamp does not light up even if you press the check button.

NOTE: The lamp automatically goes off after a few seconds.

Machine/battery protection system

The machine is equipped with a machine/battery protection system. This system automatically cuts off power to the motor to extend machine and battery life. The machine will automatically stop during operation if the machine or battery is placed under one of the following conditions:

Overload protection

When the battery is operated in a manner that causes it to draw an abnormally high current, the machine automatically stops and the main power lamp blinks in green. In this situation, turn the machine off and stop the application that caused the machine to become overloaded. Then turn the machine on to restart.

NOTE: The main power lamp also blinks in green and the machine automatically stops if the machine is operated for a long time continuously. In this case, release the switch trigger and return the control lever fully, and then pull the switch trigger again to restart the machine.

Overheat protection

When the machine or battery is overheated, the machine stops automatically and the main power lamp lights up in red. In this case, let the machine and battery cool before turning the machine on again.

NOTE: The main power lamp blinks in red when the battery is overheated.

Overdischarge protection

When the battery capacity is not enough, the machine stops automatically and the main power lamp blinks in red. In this case, remove the battery from the machine and charge the battery or change the battery to fully charged one.

Protections against other causes

Protection system is also designed for other causes that could damage the machine and allows the machine to stop automatically. Take all the following steps to clear the causes, when the machine has been brought to a temporary halt or stop in operation.

1. Turn the machine off, and then turn it on again to restart.
2. Charge the battery(ies) or replace it/them with recharged battery(ies).
3. Let the machine and battery(ies) cool down.

If no improvement can be found by restoring protection system, then contact your local Makita Service Center.

NOTICE: If the machine stops due to a cause not described above, refer to the section for troubleshooting.

Main power switch

WARNING: Always turn off the main power switch when not in use.

To turn on the machine, press the main power switch. To turn off, press the main power switch again.

► **Fig.21:** 1. Main power lamp 2. Main power switch

NOTE: The machine employs the auto power-off function. To avoid unintentional start up, the main power switch will automatically shut down when the machine is not operated for a certain period after the main power switch is turned on.

NOTE: If the main power lamp lights up in red or blinks in red or green, refer to the instructions for machine/battery protection system.

Switch action

WARNING: Before installing the portable power pack to the machine, always check to see that the switch trigger actuates properly and returns to the "OFF" position when released.

To start the machine, simply pull the switch trigger. The speed increases by increasing pressure on the switch trigger. Release the switch trigger to stop.

► **Fig.22:** 1. Switch trigger

Cruise control function

The cruise control function allows the operator to maintain a constant speed without pulling the trigger. To increase the speed, turn the control lever forward. To decrease the speed, turn the control lever backward.

► **Fig.23:** 1. Control lever

Electronic function

The machine is equipped with the electronic function for easy operation.

- Constant speed control
The speed control function provides the constant rotation speed regardless of load conditions.

Accidental re-start preventive function

When you turn on the machine while pulling the switch trigger, the machine does not start and the main power lamp blinks in green. To start the machine, first release the switch trigger and return the control lever fully, and then turn on the machine.

OPERATION

CAUTION: When putting on the machine, be sure to put shoulder harness on your both shoulders. Otherwise, the machine may fall when you put on or use the machine, and cause an injury.

CAUTION: When putting on the machine, be sure to put on the machine on your back. Otherwise, the machine may fall during operation and cause an injury.

CAUTION: Do not place the machine on the ground while it is running. Sand or dust may enter from suction inlet and cause a malfunction or personal injury.

1. Press the power button on the portable power pack. The main power lamp will light up.
► **Fig.24:** 1. Power button 2. Main power lamp
2. Put on the shoulder harness of the machine and lock the buckle on the waist belt.
3. Press the main power switch to turn on the machine.

The machine is ready to operate. The machine will run when you pull the switch trigger.

► **Fig.25:** 1. Main power switch

Hold the control handle firmly and perform the blowing operation by moving it around slowly. When blowing around building, big stone or vehicle, direct the nozzle away from them. When performing an operation in a corner, start from the corner and then move to wide area.

► **Fig.26**

When setting down the machine, unlock the buckle of the waist belt, and then set down the machine slowly.

► **Fig.27:** 1. Buckle

MAINTENANCE

CAUTION: Always be sure that the machine is switched off and the battery cartridge is removed before attempting to perform inspection or maintenance.

To maintain product SAFETY and RELIABILITY, repairs, any other maintenance or adjustment should be performed by Makita Authorized or Factory Service Centers, always using Makita replacement parts.

Cleaning the machine

NOTICE: Never use gasoline, benzine, thinner, alcohol or the like. Discoloration, deformation or cracks may result.

Clean the machine by wiping off dust with a dry cloth or one dipped in soapy water and wrung out.

Remove dust or dirt from the suction inlet.

► **Fig.28:** 1. Suction inlet

Storage

NOTICE: Be sure to close the plug cover before storage. If the plug cover is opened or not fully closed, dust may enter the machine and cause a malfunction of machine.

Before storing the machine, pull out the socket from the plug and perform full maintenance. Store the machine in a place out of the reach of children and not exposed to moisture, rain, or direct sunlight.

You can connect the band of the pipe to the machine as shown in the figure to stand up the pipe.

► **Fig.29:** 1. Socket 2. Plug cover 3. Band

TROUBLESHOOTING

Before asking for repairs, conduct your own inspection first. If you find a problem that is not explained in the manual, do not attempt to dismantle the machine. Instead, ask Makita Authorized Service Centers, always using Makita replacement parts for repairs.

State of abnormality	Probable cause (malfunction)	Remedy
Motor does not run.	Battery is not installed.	Install the battery.
	Battery problem (under voltage)	Recharge the battery. If recharging is not effective, replace battery.
	The drive system does not work correctly.	Ask your local authorized service center for repair.
Motor stops running after a little use.	Battery's charge level is low.	Recharge the battery. If recharging is not effective, replace battery.
	Overheating.	Stop using the machine to allow it to cool down.
The machine does not reach the maximum speed.	Battery is installed improperly.	Install the battery as described in this manual.
	Battery power is dropping.	Recharge the battery. If recharging is not effective, replace battery.
	The drive system does not work correctly.	Ask your local authorized service center for repair.
Abnormal vibration: ⇒ stop the machine immediately!	The drive system does not work correctly.	Ask your local authorized service center for repair.
Motor cannot stop: ⇒ Remove the battery immediately!	Electric or electronic malfunction.	Remove the battery and ask your local authorized service center for repair.

OPTIONAL ACCESSORIES

⚠ CAUTION: These accessories or attachments are recommended for use with your Makita product specified in this manual. The use of any other accessories or attachments might present a risk of injury to persons. Only use accessory or attachment for its stated purpose.

If you need any assistance for more details regarding these accessories, ask your local Makita Service Center.

- Extension nozzle
- Flat nozzle
- Adapter pipe
- Makita genuine battery and charger

NOTE: Some items in the list may be included in the product package as standard accessories. They may differ from country to country.

规格

型号:	UB002C	
性能	风量	0 - 19.0 m ³ /min
	风速 (平均值)	0 - 60.0 m/s
	风速 (最大值)	0 - 71.7 m/s
尺寸 (长 x 宽 x 高) (带末端喷嘴)	1,368 mm × 694 mm × 715 mm	
额定电压	D.C. 36 V - 40 V (最大)	
净重	15.9 - 16.1 kg	
防护等级	IPX4	

- 生产者保留变更规格不另行通知之权利。
- 规格可能因销往国家之不同而异。
- 重量因附件 (包括电池组) 而异。根据EPTA-Procedure 01/2014, 最重与最轻的组合见表格。

便携电源装置

PDC1200

警告: 请仅使用以上便携电源装置。使用其他类型的便携电源装置可能会导致人身伤害和 / 或失火。

符号

以下显示本设备可能会使用的符号。在使用工具之前, 请务必理解其含义。

	特别小心和注意。
	阅读使用说明书。
	手应远离旋转的部件。
	长发可能会导致卷入事故。
	使旁观者远离。
	请佩戴耳目保护装置。
	勿暴露于潮湿环境。



仅限于欧盟国家
由于本设备中包含有害成分, 因此废弃的电气和电子设备、蓄电池和普通电池可能会对环境和人体健康产生负面影响。请勿将电气和电子工具或电池与家庭普通废弃物放在一起处置!

根据欧洲关于废弃电气电子设备、蓄电池和普通电池的指令及其国家层面的修订法案, 废弃的电气设备、普通电池和蓄电池应当单独存放并递送至城市垃圾收集点, 根据环保法规进行处置。
此规定由标有叉形标志的带轮垃圾桶符号表示。



保证声功率级别符合欧盟室外噪音指令。



声功率级别符合澳大利亚NSW噪音控制规定

用途

本机用于吹除灰尘。

关于本使用说明书

本使用说明书中的术语“电池”、“电池组”或“电池包”是指“便携电源装置”。

安全警告

电动工具通用安全警告

警告： 阅读随电动工具提供的所有安全警告、说明、图示和规定。不遵照以下所列说明会导致电击、着火和 / 或严重伤害。

保存所有警告和说明书以备查阅。

警告中的术语“电动工具”是指市电驱动(有线)电动工具或电池驱动(无线)电动工具。

工作场地的安全

1. 保持工作场地清洁和明亮。杂乱和黑暗的场地会引发事故。
2. 不要在易爆环境，如有易燃液体、气体或粉尘的环境下操作电动工具。电动工具产生的火花会点燃粉尘或气体。
3. 操作电动工具时，远离儿童和旁观者。注意力不集中会使你失去对工具的控制。

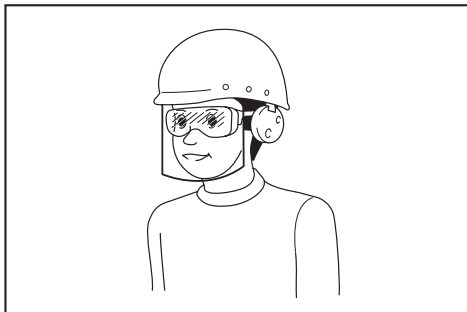
电气安全

1. 电动工具插头必须与插座相配。绝不能以任何方式改装插头。需接地的电动工具不能使用任何转换插头。未经改装的插头和相配的插座将降低电击风险。
2. 避免人体接触接地表面，如管道、散热片和冰箱。如果你身体接触接地表面会增加电击风险。
3. 不得将电动工具暴露在雨中或潮湿环境中。水进入电动工具将增加电击风险。
4. 不得滥用软线。绝不能用软线搬运、拉动电动工具或拔出其插头。使软线远离热源、油、锐边或运动部件。受损或缠绕的软线会增加电击风险。
5. 当在户外使用电动工具时，使用适合户外使用的延长线。适合户外使用的电线将降低电击风险。
6. 如果无法避免在潮湿环境中操作电动工具，应使用带有剩余电流装置(RCD)保护的电源。RCD的使用可降低电击风险。

7. 电动工具会产生对用户无害的电磁场(EMF)。但是，起搏器和其他类似医疗设备的用户应在操作本电动工具前咨询其设备的制造商和 / 或医生寻求建议。

人身安全

1. 保持警觉，当操作电动工具时关注所从事的操作并保持清醒。当你感到疲倦，或在有药物、酒精或治疗反应时，不要操作电动工具。在操作电动工具时瞬间的疏忽会导致严重人身伤害。
2. 使用个人防护装置。始终佩戴护目镜。防护装置，诸如适当条件下使用防尘面具、防滑安全鞋、安全帽、听力防护等装置能减少人身伤害。
3. 防止意外起动。在连接电源和/或电池包、拿起或搬运工具前确保开关处于关断位置。手指放在开关上搬运工具或开关处于接通时通电会导致危险。
4. 在电动工具接通之前，拿掉所有调节钥匙或扳手。遗留在电动工具旋转零件上的扳手或钥匙会导致人身伤害。
5. 手不要过分伸展。时刻注意立足点和身体平衡。这样能在意外情况下能更好地控制住电动工具。
6. 着装适当。不要穿宽松衣服或佩戴饰品。让你的头发和衣服远离运动部件。宽松衣服、佩饰或长发可能会卷入运动部件。
7. 如果提供了与排屑、集尘设备连接用的装置，要确保其连接完好且使用得当。使用集尘装置可降低尘屑引起的危险。
8. 不要因为频繁使用工具而产生的熟悉感而掉以轻心，忽视工具的安全准则。某个粗心的动作可能在瞬间导致严重的伤害。
9. 使用电动工具时请始终佩戴护目镜以免伤害眼睛。护目镜须符合美国ANSIZ87.1、欧洲EN 166或者澳大利亚 / 新西兰的AS/NZS 1336的规定。在澳大利亚 / 新西兰，法律要求佩戴面罩保护脸部。



雇主有责任监督工具操作者和其他近工作区域人员佩带合适的安全防护设备。

电动工具使用和注意事项

1. 不要勉强使用电动工具，根据用途使用合适的电动工具。选用合适的按照额定值设计的电动工具会使你工作更有效、更安全。
2. 如果开关不能接通或关断电源，则不能使用该电动工具。不能通过开关来控制电动工具是危险的且必须进行修理。
3. 在进行任何调节、更换附件或贮存电动工具之前，必须从电源上拔掉插头和/或卸下电池包（如可拆卸）。这种防护性的安全措施降低了电动工具意外起动的风险。
4. 将闲置不用的电动工具贮存在儿童所及范围之外，并且不允许不熟悉电动工具和不了解这些说明的人操作电动工具。电动工具在未经培训的使用者手中是危险的。
5. 维护电动工具及其附件。检查运动部件是否调整到位或卡住，检查零件破损情况和影响电动工具运行的其他状况。如有损坏，应在使用前修理好电动工具。许多事故是由维护不良的电动工具引发的。
6. 保持切削刀具锋利和清洁。维护良好地有锋利切削刃的刀具不易卡住而且容易控制。
7. 按照使用说明书，并考虑作业条件和要进行的作业来选择电动工具、附件和工具的刀头等。将电动工具用于那些与其用途不符的操作可能会导致危险情况。
8. 保持手柄和握持表面干燥、清洁，不得沾有油脂。在意外的情况下，湿滑的手柄不能保证握持的安全和对工具的控制。
9. 使用本工具时，请勿佩戴可能会缠绕的布质工作手套。布质工作手套卷入移动部件可能会造成人身伤害。

电池式工具使用和注意事项


1. 仅使用生产者规定的充电器充电。将适用于某种电池包的充电器用到其他电池包时可能会发生着火危险。
2. 仅使用配有专用电池包的电动工具。使用其他电池包可能会产生伤害和着火危险。
3. 当电池包不用时，将它远离其他金属物体，例如回形针、硬币、钥匙、钉子、螺钉或其他小金属物体，以防电池包一端与另一端连接。电池组端部短路可能会引起燃烧或着火。

4. 在滥用条件下，液体可能会从电池组中溅出；应避免接触。如果意外碰到液体，用水冲洗。如果液体碰到了眼睛，还应寻求医疗帮助。从电池中溅出的液体可能会发生腐蚀或燃烧。
5. 不要使用损坏或改装过的电池包或工具。损坏或改装过的电池组可能呈现无法预测的结果，导致着火、爆炸或伤害。
6. 不要将电池包暴露于火或高温中。电池包暴露于火或高于130℃的高温中可能导致爆炸。
7. 遵循所有充电说明。不要在说明书中指定的温度范围之外给电池包或电动工具充电。不正确或在指定的温度范围外充电可能会损坏电池和增加着火的风险。

维修

1. 让专业维修人员使用相同的备件维修电动工具。这将保证所维修的电动工具的安全。
2. 决不能维修损坏的电池包。电池包仅能由生产者或其授权的维修服务商进行维修。
3. 上润滑油及更换附件时请遵循本说明书指示。

充电背负式吹风机安全注意事项

 **警告：** 阅读所有警告和所有说明。不遵照以下警告和说明会导致电击、着火和/或严重伤害。

保存所有警告和说明书以备查阅。

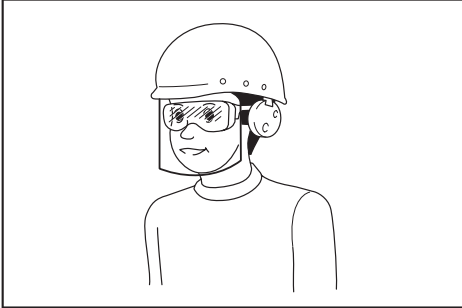
培训

1. 请仔细阅读说明。熟悉控制和正确操作吹风机的方法。
2. 切勿让儿童和体力、感觉及心智不健全或缺乏经验知识的人员以及不熟悉操作说明的人员使用吹风机。当地法规可能会限制操作人员的年龄。
3. 切勿在附近有人（特别是儿童）或宠物的情况下操作吹风机。
4. 操作时要时刻谨记，如果给他人及其财产造成损失，操作者或用户要为此负责。

准备

1. 操作吹风机时，请务必穿戴厚实的鞋子和长裤。
2. 请勿穿着宽松的衣服或佩戴首饰，它们可能会被吸入进气口。使长发远离进气口。

3. 使用电动工具时请始终佩带护目镜以免伤害眼睛。护目镜须符合美国ANSI Z87.1、欧洲EN 166或者澳大利亚 / 新西兰的AS/NZS 1336的规定。在澳大利亚 / 新西兰，法律要求佩带面罩保护脸部。



雇主有责任监督工具操作者和其他近工作区域人员佩带合适的安全防护设备。

4. 为防止灰尘引起的过敏，建议佩戴面罩。
5. 操作机器期间，务必始终穿戴防滑防护鞋。防滑、闭趾安全靴和鞋可减少受伤风险。

操作

1. 关闭吹风机电源并取出电池组，确保所有运动部件已完全停止。
 - 离开吹风机时。
 - 清除堵塞物前。
 - 检查、清洁或处理吹风机前。
 - 如果吹风机开始异常振动。
2. 仅可在光线充足或良好照明的情况下操作本吹风机。
3. 操作时手不要伸得太长，务必始终保持身体平衡，立足稳定。
4. 在斜坡上时确保立足稳固。
5. 操作时请行走，切勿跑动。
6. 确保冷却进气口无碎片。
7. 不得朝向附近的人吹扫碎片。
8. 请在建议的位置和稳固的表面上操作吹风机。
9. 请勿在高空操作吹风机。
10. 使用吹风机时，切勿将喷嘴对准工作区中的任何人。
11. 切勿堵塞吸气口和 / 或出气口。
 - 在灰尘较大的区域内操作时，请注意避免吹风机吸气口或出气口被灰尘或污垢堵塞。
 - 请勿使用非Makita（牧田）提供的集尘口。

- 请勿将吹风机用于膨胀气球、橡皮艇或类似物品。
12. 请勿在打开的窗户等附近操作吹风机。
 13. 建议在适宜的时间段（不要在早上或深夜）操作吹风机，以避免扰民。
 14. 建议在吹风前使用耙子和扫帚等分散碎片。
 15. 建议使用长喷嘴以使气流更接近地面。
 16. 如果吹风机撞击到异物或开始产生任何异常的噪音或振动，立即关闭吹风机电源以停止运行。重新启动、操作吹风机前，取出吹风机的电池组并检查吹风机有无损坏。如吹风机损坏，请联系Makita（牧田）授权的维修服务中心进行修复。
 17. 请勿将手指或其它物品插入进气口或出气口。
 18. 防止意外启动。在插入电池组、拿起或搬运吹风机之前，请确保开关处于关闭位置。搬运吹风机时，手指放在开关上或者在开关打开的情况下给吹风机通电可能会导致意外事故。
 19. 切勿吹扫危险材料，例如钉子、玻璃碎片或刀片。
 20. 请勿在可燃物附近操作吹风机。
 21. 避免在低温环境下长时间操作吹风机。
 22. 请勿在雷电天气使用机器。
 23. 在泥泞地面、潮湿坡道或湿滑的地方使用机器时，请注意立足稳固。
 24. 请勿在能见度有限的恶劣天气下使用机器。否则可能会因视线较差导致跌倒或不正确的操作。
 25. 请勿将机器浸入水坑中。
 26. 请勿在雨天将机器置于室外无人看管。
 27. 请勿在雪中使用机器。
 28. 操作期间，请使导线远离障碍物。导线被障碍物绊住可能会造成严重的人身伤害。

保养和存放

1. 保证所有螺母、螺栓和螺丝都已拧紧，确保吹风机处于安全的工作状态。
2. 若部件磨损或损坏，请使用Makita（牧田）提供的部件进行更换。
3. 将吹风机存于儿童接触不到的干燥位置。
4. 将吹风机停机以便检查、维修、存放或更换附件时，请将吹风机关闭，确保所有移动部件均已完全停止，并取下电池组。对吹风机进行任何操作之前，请先冷却吹风机。精心保养吹风机并保持清洁。

5. 务必在存放前冷却吹风机。
6. 请勿使吹风机暴露在雨水中。将吹风机存放在室内。
7. 抬起吹风机时请务必屈膝，并注意避免受伤及背部。
8. 清洗机器时，请勿让电池、电机和端子等电气机构进水。
9. 存放机器时，避免直射阳光和淋雨，将其存放在不会变热或变潮的位置。
10. 搬运机器时，务必通过握住机器的把手来紧握机器。
11. 搬运机器时，注意避免电源线被障碍物绊住。

电池式工具使用和注意事项

1. 仅使用生产者规定的充电器充电。将适用于某种电池包的充电器用到其他电池包时可能会发生着火危险。
2. 仅使用配有专用电池包的电动工具。使用其他电池包可能会产生伤害和着火危险。
3. 当电池包不用时，将它远离其他金属物体，例如回形针、硬币、钥匙、钉子、螺钉或其他小金属物体，以防电池包一端与另一端连接。电池组端部短路可能会引起燃烧或着火。
4. 在滥用条件下，液体可能会从电池组中溅出；应避免接触。如果意外碰到液体，用水冲洗。如果液体碰到了眼睛，还应寻求医疗帮助。从电池中溅出的液体可能会发生腐蚀或燃烧。
5. 不要使用损坏或改装过的电池包或工具。损坏或改装过的电池组可能呈现无法预测的结果，导致着火、爆炸或伤害。
6. 不要将电池包暴露于火或高温中。电池包暴露于火或高于130 °C的高温中可能导致爆炸。
7. 遵循所有充电说明。不要在说明书中指定的温度范围之外给电池包或电动工具充电。不正确或在指定的温度范围外充电可能会损坏电池和增加着火的风险。

电气和电池安全

1. 请勿将电池弃于火中。否则会引起电池爆炸。请查阅当地法规了解适当的特殊处理说明。
2. 请勿打开或拆解电池。溢出的电解质具有腐蚀性，可能会对眼睛或皮肤造成伤害。吞服则有致毒危险。
3. 请勿在雨中或潮湿的地方充电。
4. 勿在室外对电池充电。

5. 请勿用湿手操作充电器，包括充电器插头和充电器端子。
6. 请勿用湿手更换电池。
7. 请勿在雨中更换电池。
8. 请勿用水等液体打湿电池端子，或将电池浸于水中。请勿使电池淋雨，也不得在潮湿位置给电池充电、使用或存放电池。如果电池端子被打湿或有液体进入电池，则电池可能会短路，导致过热、起火或爆炸危险。
9. 从机器或充电器取下电池后，请务必将其存放在干燥处。
10. 如果电池组被打湿，请排空其中的水分，再用干布擦拭干净。使用前在干燥处彻底干燥电池组。

维修

1. 让专业维修人员使用相同的备件维修电动工具。这将保证所维修的电动工具的安全。
2. 决不能维修损坏的电池包。电池包仅能由生产者或其授权的维修服务商进行维修。

请保留此说明书。

⚠警告： 请勿为图方便或因对产品足够熟悉（由于重复使用而获得的经验）而不严格遵循相关产品安全规则。
使用不当或不遵循使用说明书中的安全规则会导致严重的人身伤害。

电池组的重要安全注意事项

1. 在使用电池组之前，请仔细阅读所有的说明以及 (1) 电池充电器，(2) 电池，以及 (3) 使用电池的产品上的警告标记。
2. 切勿拆卸或改装电池组。否则可能引起火灾、过热或爆炸。
3. 如果机器运行时间变得过短，请立即停止使用。否则可能会导致过热、起火甚至爆炸。
4. 如果电解液进入您的眼睛，用清水将其冲洗干净并立即就医。否则可能会导致视力受损。
5. 请勿使电池组短路：
 - (1) 请勿使任何导电材料碰到端子。
 - (2) 避免将电池组与其他金属物品如钉子、硬币等放置在同一容器内。
 - (3) 请勿将电池组置于水中或使其淋雨。电池短路将产生大的电流，导致过热，并可能导致起火甚至击穿。

- 请勿在温度可能达到或超过50°C (122°F) 的场所存放以及使用工具和电池组。
- 即使电池组已经严重损坏或完全磨损，也请勿焚烧电池组。电池组会在火中爆炸。
- 请勿对电池组射钉，或者切削、挤压、抛掷、掉落电池组，又或者用硬物撞击电池组。否则可能引起火灾、过热或爆炸。
- 请勿使用损坏的电池。
- 本工具附带的锂离子电池需符合危险品法规要求。

第三方或转运代理等进行商业运输时，应遵循包装和标识方面的特殊要求。有关运输项目的准备作业，咨询危险品方面的专业人士。同时，请遵守可能更为详尽的国家法规。

请使用胶带保护且勿遮掩表面的联络信息，并牢固封装电池，使电池在包装内不可动。

- 丢弃电池组时，需将其从工具上卸下并在安全地带进行处理。关于如何处理废弃的电池，请遵循当地法规。
- 仅将电池用于Makita（牧田）指定的产品。将电池安装至不兼容的产品会导致起火、过热、爆炸或电解液泄漏。
- 如长时间未使用工具，必须将电池从工具内取出。
- 使用工具期间以及使用工具之后，电池组温度可能较高易引起灼伤或低温烫伤。处理高温电池组时请小心操作。
- 在使用工具后请勿立即触碰工具的端子，否则可能引起灼伤。
- 避免锯屑、灰尘或泥土卡入电池组的端子、孔口和凹槽内。否则可能会导致过热、着火、爆炸和工具/电池组故障，导致烫伤或人身伤害。
- 除非工具支持在高压电源线路附近使用，否则请勿在高压电源线路附近使用电池组。否则可能导致工具或电池组故障或失常。
- 确保电池远离儿童。

请保留此说明书。

小心： 请仅使用Makita（牧田）原装电池。使用非Makita（牧田）原装电池或经过改装的电池可能会导致电池爆炸，从而造成火灾、人身伤害或物品受损。同时也会导致牧田工具和充电器的牧田保修服务失效。

保持电池最大使用寿命的提示

- 在电池组电量完全耗尽前及时充电。发现工具电量低时，请停止工具操作，并给电池组充电。
- 请勿对已充满电的电池组重新充电。过度充电将缩短电池的使用寿命。
- 请在10°C - 40°C (50°F - 104°F) 的室温条件下给电池组充电。请在灼热的电池组冷却后再充电。
- 不使用电池组时，请将其从工具或充电器上拆除。
- 如果电池组长时间（超过六个月）未使用，请给其充电。

装配

小心： 对机器进行任何装配操作前，请务必关闭机器的电源并取出电池组。

组装吹风管

- 拧松夹紧螺丝。
▶ 图片1: 1. 夹紧螺丝
- 将控制把手安装至旋转管并拧紧夹紧螺丝。
▶ 图片2: 1. 控制把手 2. 旋转管 3. 夹紧螺丝

注意： 将控制把手连接至旋转管时，注意不要扭曲控制把手的线缆。

- 拧软管夹上的螺丝，然后将软管夹装到软管上。将旋转管连接到软管，然后拧紧软管夹上的螺丝。
▶ 图片3: 1. 旋转管 2. 软管夹 3. 软管
- 拧软管夹上的螺丝，然后将软管夹装到软管上。将软管连接到弯管，然后拧紧软管夹上的螺丝。
▶ 图片4: 1. 软管 2. 软管夹 3. 弯管

注意： 务必使软管夹上的螺丝朝向图示方向。

▶ 图片5: 1. 螺丝

- 将控制线索夹紧在线索夹上。
▶ 图片6: 1. 线索夹 2. 控制线索

注意： 务必将控制线索牢固固定在线索夹上。

安装末端喷嘴

将末端喷嘴上的三角形标记与旋转管上的三角形标记对齐，然后将末端喷嘴连接至旋转管上，再旋转末端喷嘴将其锁定到位。

- **图片7:** 1. 三角形标记 2. 端部喷嘴
3. 旋转管

拆下末端喷嘴时，按与安装步骤相反的顺序执行操作。

注: 如图所示，移动喷嘴即可改变喷嘴的长度。

- **图片8:** 1. 端部喷嘴 2. 旋转管

安装扁喷嘴或延长喷嘴

选购附件

注: 如果安装了末端喷嘴，在安装适配管之前请将其拆除。

1. 将适配管上的三角形标记与旋转管上的三角形标记对齐，然后将适配管连接至旋转管上，再旋转将其锁定到位。

- **图片9:** 1. 三角形标记 2. 适配管
3. 旋转管

2. 将扁喷嘴或延长喷嘴上的三角形标记与适配管上的三角形标记对齐，然后将扁喷嘴或延长喷嘴连接至适配管上，再旋转将其锁定到位。

- **图片10:** 1. 扁喷嘴 2. 延长喷嘴 3. 适配管
4. 三角形标记

拆下适配管、扁喷嘴或延长喷嘴时，按与安装步骤相反的顺序执行操作。

调节腰带和肩带

1. 佩戴机器，然后锁定腰带的带扣，再调节腰带的长度。

- **图片11:** 1. 带扣

2. 调节肩带的长度。

- **图片12:** 1. 肩带

调节控制杆的位置

拧松夹紧螺丝。沿旋转管移动控制把手至最舒适的位置，然后拧紧夹紧螺丝。

- **图片13:** 1. 控制把手 2. 旋转管 3. 夹紧螺丝

功能描述

⚠️小心: 调节或检查本机功能之前，请务必关闭机器并取出电池组。

安装或取下便携电源装置

⚠️小心: 安装或拆卸便携电源装置之前，请务必关闭机器电源。

⚠️小心: 安装或拆卸便携电源装置时，请握紧机器和便携电源装置。未紧握机器和便携电源装置可能会使其从您的手中滑落，导致机器和便携电源装置受损，并造成人身伤害。

⚠️小心: 确保将便携电源装置牢固安装在机器上。否则，它可能会从机器中意外脱落，从而造成您自身或他人受伤。

⚠️小心: 运行前，确保导线牢固附于导线固定器上，且插口完全插入插座内。

1. 向如图所示的方向拉出电源线。拉出电源线时，请务必按图中所示将电源线置于固定器中。

- **图片14:** 1. 电源线 2. 固定器

2. 请依图示将便携电源装置安装到机器上。

- **图片15:** 1. 便携电源装置

⚠️小心: 安装便携电源装置时，请小心不要将拇指或其他手指夹在便携电源装置和机器之间。

⚠️小心: 确保将便携电源装置牢固固定在机器上。否则，在佩戴或使用机器时会导致便携电源装置掉落，造成人身伤害。若能观察到图示中的红色指示器，则说明便携电源装置未完全锁紧。

- **图片16:** 1. 红色指示器

⚠️小心: 若要拆卸便携电源装置，请在抓紧手柄的同时按下锁定按钮。

- **图片17:** 1. 手柄 2. 锁定按钮

3. 请依图所示将电源线连接至导线固定器。

- **图片18:** 1. 导线固定器 2. 导线

4. 打开插头盖，将插口上的箭头标记与机器上的箭头标记对齐，然后将插口完全插入插座。

- **图片19:** 1. 插头盖 2. 插口

注意：切勿强行插入插口。如果插口难以插入，可能是插入方法不当。






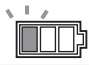
注意：断开插口和插座时，请勿握住导线，而应握住插口。否则，导线可能会受损并导致机器故障。

如要取下便携电源装置，按与安装步骤相反的顺序执行操作。

显示电池的剩余电量

► **图片20：** 1. 电池指示灯 2. CHECK（查看）按钮

按CHECK（查看）按钮可显示剩余电池电量。

电池指示灯状态			剩余的 电池电量
 亮起	 熄灭	 闪烁	
			50%至 100%
			20%至 50%
			0%至 20%

注： 剩余电池电量指示灯仅供参考。实际电池电量可能因使用条件或环境温度而异。

注： 机器运行时，即使按下CHECK（查看）按钮，指示灯也不会亮起。

注： 几秒钟后，指示灯自动熄灭。

机器 / 电池保护系统

本机器配备有机器 / 电池保护系统。该系统可自动切断电机电源以延长机器和电池寿命。作业时，如果机器或电池处于以下任一情况时，机器将会自动停止运转：

过载保护

以导致异常高电流的方式操作电池时，机器会自动停止运转并且主电源指示灯将呈绿色闪烁。在这种情况下，请关闭机器并停止导致机器过载的应用程序。然后开启机器以重新启动。

注： 如果机器长时间持续操作，主电源指示灯也呈绿色闪烁，并且机器将自动停止。此时请松开开关扳机并将控制杆完全恢复至原位，然后再扣动开关扳机以重新启动机器。

过热保护

机器或电池过热时，机器会自动停止运转并且主电源指示灯将呈红色亮起。在这种情况下，请待机器和电池冷却后再开启机器。

注： 电池过热时，主电源指示灯呈红色闪烁。

过放电保护

电池电量不足时，机器会自动停止运转并且主电源指示灯将呈红色闪烁。在这种情况下，请从机器内取出电池并对电池充电，或更换完全充满电的电池。

其他原因防护

保护系统还能够出现在出现其他可能导致机器受损的情况时使机器自动停止运转。请在机器暂时或中途停止工作时，执行以下所有步骤以排除故障源。

1. 关闭机器，然后再次重新启动。
2. 给电池充电或更换为充电电池。
3. 请等待机器和电池冷却。

如果保护系统恢复后仍无改善，请联络当地的Makita（牧田）维修服务中心。

注意： 如果机器因上述所述以外的原因停止，请参阅故障排除部分。

主电源开关

警告： 不使用时，务必关闭主电源开关。

按主电源开关打开机器。要关闭时，请再次按主电源开关。

► **图片21：** 1. 主电源指示灯 2. 主电源开关

注： 机器采用自动关机功能。为避免意外启动，在打开主电源开关后，若一段时间内未操作机器，主电源开关将自动关闭。

注： 如果主电源指示灯呈红色亮起或红色 / 绿色闪烁，请参阅关于机器 / 电池保护系统的说明。

开关操作

警告： 在将便携电源装置安装至机器前，请务必检查开关扳机是否扣动自如，松开时能否退回至“OFF”（关闭）位置。

要启动机器，只需扣动开关扳机即可。随着在开关扳机上施加压力的增大，机器速度会提高。松开开关扳机时机器即停止。

► **图片22：** 1. 开关扳机

恒速控制功能

恒速控制功能可使操作者保持恒定的速度而不用拉扳机。要提高速度，请向前转动控制杆。要降低速度，请向后转动控制杆。

► **图片23：** 1. 控制杆

电子功能

本机器配备了电子功能以便操作。

- 恒速控制
速度控制功能可保持转速恒定，而无论负载如何。

防止意外重启功能

在扣动开关扳机的同时开启机器时，机器不启动并且主电源指示灯呈绿色闪烁。若要启动机器，请先松开开关扳机，将控制杆完全恢复至原位，然后再开启机器。

操作

小心： 佩戴机器时，请务必将肩带背在双肩。否则，在佩戴或使用机器时会导致机器掉落，造成人身伤害。

小心： 佩戴机器时，请务必将机器上背在后背上。否则，机器可能会在操作期间掉落并造成人身伤害。

小心： 运行时，请勿将机器放在地上。否则沙尘可能会进入进气口，这可能会导致机器故障或造成人身伤害。

1. 按下便携电源装置上的电源按钮。主电源指示灯将亮起。

► **图片24：** 1. 电源按钮 2. 主电源指示灯

2. 戴上机器的肩带，并将腰带上的带扣锁上。

3. 按下主电源开关以开启机器。

机器已做好操作准备。扣动开关扳机机器便会运行。

► **图片25：** 1. 主电源开关

紧握控制把手，缓慢移动以进行吹扫操作。当在建筑物、大的石块或车辆周围进行吹扫作业时，请使喷嘴避开上述物体。当在角落位置进行作业时，请先吹扫角落，然后移至宽阔区域。

► **图片26**

放下机器时，请先解锁腰带的带扣，然后缓慢放下机器。

► **图片27：** 1. 带扣

保养

小心： 检查或保养机器之前，请务必关闭机器并取出电池组。

为了保证产品的安全与可靠性，维修、任何其他维修保养或调节需由Makita（牧田）授权的或工厂维修服务中心完成。务必使用Makita（牧田）的替换部件。

清洁机器

注意： 切勿使用汽油、苯、稀释剂、酒精或类似物品清洁工具。否则可能会导致工具变色、变形或出现裂缝。

用干布或浸有肥皂水并且拧干的布擦拭机器上的灰尘。

清除吸气口的灰尘或污垢。

► **图片28：** 1. 吸气口

存放

注意： 存放前，请务必关闭插头盖。如果插头盖打开或未完全关闭，灰尘可能会进入机器并导致机器出现故障。

存放机器之前，请先将插口拉出插头，再对机器进行全面维护。将机器存放于儿童接触不到并且可避免受潮、雨淋或阳光直射的区域。

可以如图将管的绑带连接到机器，将管立起。

► **图片29：** 1. 插口 2. 插头盖 3. 绑带

故障排除

请求维修前，请首先自行检查。如果您发现本手册中有未作说明的问题，请勿拆解机器。请联系Makita（牧田）授权维修服务中心，务必使用Makita（牧田）的替换部件进行修复。

异常状态	可能原因（故障）	纠正措施
电机不旋转。	未安装电池。	安装电池。
	电池故障（欠压）	请给电池充电。如果充电无效，则更换电池。
	驱动系统未正常工作。	请当地授权的维修服务中心进行维修。
使用一段时间后电机不旋转。	电池电量低。	请给电池充电。如果充电无效，则更换电池。
	过热。	停止使用机器，使之冷却。
机器未达到最大速度。	电池安装不当。	按本手册所述安装电池。
	电池电力下降。	请给电池充电。如果充电无效，则更换电池。
	驱动系统未正常工作。	请当地授权的维修服务中心进行维修。
异常振动： ⇒ 立即停止机器！	驱动系统未正常工作。	请当地授权的维修服务中心进行维修。
电机无法停止： ⇒ 立即卸下电池！	电力或电子故障。	拆下电池并请当地授权的维修服务中心进行修复。

选购附件

⚠小心： 这些附件或装置专用于本说明书所列的Makita（牧田）产品。使用其他附件或装置存在人身伤害风险。仅可将附件或装置用于规定目的。

如您需要了解更多关于这些选购附件的信息，请咨询当地的Makita（牧田）维修服务中心。

- 延长喷嘴
- 扁喷嘴
- 适配管
- Makita（牧田）原装电池和充电器

注： 本列表中的一些部件可能作为标准配件包含于产品包装内。它们可能因销往国家之不同而异。

SPESIFIKASI

Model:		UB002C
Kapasitas	Volume udara	0 - 19,0 m ³ /min
	Kecepatan udara (rata-rata)	0 - 60,0 m/s
	Kecepatan udara (maks.)	0 - 71,7 m/s
Dimensi (P x L x T) (dengan nosel ujung)		1.368 mm x 694 mm x 715 mm
Tegangan terukur		D.C. 36 V - 40 V maks
Berat bersih		15,9 - 16,1 kg
Derajat perlindungan		IPX4

- Karena kesinambungan program penelitian dan pengembangan kami, spesifikasi yang disebutkan di sini dapat berubah tanpa pemberitahuan.
- Spesifikasi dapat berbeda dari satu negara ke negara lainnya.
- Berat alat mungkin berbeda tergantung perangkat tambahan yang dipasang, termasuk kartrid baterai. Kombinasi alat terberat dan teringan, sesuai Prosedur EPTA 01/2014, ditunjukkan pada tabel.

Paket daya portabel yang sesuai

PDC1200

⚠️ PERINGATAN: Hanya gunakan paket daya portabel yang tercantum di atas. Penggunaan paket daya portabel lain dapat menimbulkan risiko cedera dan/atau kebakaran.

Simbol

Berikut ini adalah simbol-simbol yang dapat digunakan pada peralatan ini. Pastikan Anda memahami arti masing-masing simbol sebelum menggunakan peralatan.

	Berhati-hatilah dan pusatkan perhatian Anda.
	Baca petunjuk penggunaan.
	Jauhkan tangan dari bagian yang berputar.
	Rambut yang panjang berisiko terbelit.
	Jauhkan dari orang-orang di sekitar.
	Gunakan pelindung mata dan pelindung telinga.
	Jangan membiarkan alat terkena udara lembap.



Hanya untuk negara-negara UE
Akibat adanya komponen berbahaya dalam peralatan, limbah peralatan listrik dan elektronik, aki dan baterai dapat memiliki dampak negatif pada lingkungan dan kesehatan manusia.

Jangan buang peralatan listrik dan elektronik atau baterai bersama limbah rumah tangga!

Sesuai dengan Petunjuk Eropa tentang limbah peralatan listrik dan elektronik dan tentang aki dan baterai serta limbah aki dan baterai, serta penyesuaiannya terhadap undang-undang nasional, limbah peralatan listrik, baterai dan aki harus disimpan secara terpisah dan dikirim ke tempat pengumpulan terpisah untuk sampah kota, beroperasi sesuai dengan peraturan tentang perlindungan lingkungan.

Hal ini ditunjukkan dengan simbol tempat sampah bersilang yang ditempatkan pada peralatan.



Level kekuatan suara terjamin sesuai dengan Petunjuk Kebisingan Di Luar Ruang Uni Eropa.



Level kekuatan suara sesuai dengan Peraturan Kontrol Kebisingan NSW Australia

Penggunaan

Mesin ini digunakan untuk meniup debu.

Tentang petunjuk penggunaan ini

Istilah “baterai”, “kartrid baterai”, atau “paket baterai” dalam petunjuk panduan ini mengacu ke paket daya portabel.

PERINGATAN KESELAMATAN

Peringatan keselamatan umum mesin listrik

⚠️ PERINGATAN: Bacalah semua peringatan keselamatan, petunjuk, ilustrasi dan spesifikasi yang disertakan bersama mesin listrik ini. Kelalaian untuk mematuhi semua petunjuk yang tercantum di bawah ini dapat menyebabkan sengatan listrik, kebakaran dan/atau cedera serius.

Simpanlah semua peringatan dan petunjuk untuk acuan di masa depan.

Istilah "mesin listrik" dalam semua peringatan mengacu pada mesin listrik yang dijalankan dengan sumber listrik jala-jala (berkabel) atau baterai (tanpa kabel).

Keselamatan tempat kerja

1. **Jaga tempat kerja selalu bersih dan berpenerangan cukup.** Tempat kerja yang berantakan dan gelap mengundang kecelakaan.
2. **Jangan gunakan mesin listrik dalam lingkungan yang mudah meledak, misalnya jika ada cairan, gas, atau debu yang mudah menyala.** Mesin listrik menimbulkan bunga api yang dapat menyalakan debu atau uap tersebut.
3. **Jauhkan anak-anak dan orang lain saat menggunakan mesin listrik.** Bila perhatian terpecah, anda dapat kehilangan kendali.

Keamanan Kelistrikan

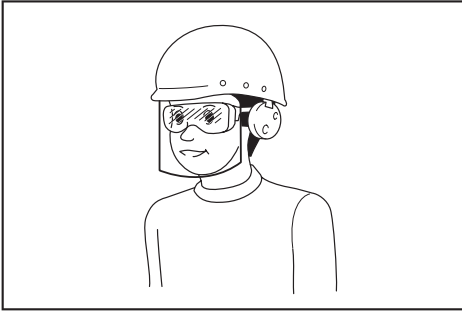
1. **Steker mesin listrik harus cocok dengan stopkontak. Jangan sekali-kali mengubah steker dengan cara apa pun. Jangan menggunakan steker adaptor dengan mesin listrik terbumi (dibumikan).** Steker yang tidak diubah dan stopkontak yang cocok akan mengurangi risiko sengatan listrik.
2. **Hindari sentuhan tubuh dengan permukaan terbumi atau yang dibumikan seperti pipa, radiator, kompor, dan kulkas.** Risiko sengatan listrik bertambah jika tubuh Anda terbumikan atau dibumikan.
3. **Jangan membiarkan mesin listrik kehujanan atau kebasahan.** Air yang masuk ke dalam mesin listrik akan meningkatkan risiko sengatan listrik.
4. **Jangan menyalahgunakan kabel. Jangan sekali-kali menggunakan kabel untuk membawa, menarik, atau mencabut mesin listrik dari stopkontak. Jauhkan kabel dari panas, minyak, tepian tajam, atau bagian yang bergerak.** Kabel yang rusak atau kusut memperbesar risiko sengatan listrik.
5. **Bila menggunakan mesin listrik di luar ruangan, gunakan kabel ekstensi yang sesuai untuk penggunaan di luar ruangan.** Penggunaan kabel yang sesuai untuk penggunaan luar ruangan mengurangi risiko sengatan listrik.

6. **Jika mengoperasikan mesin listrik di lokasi lembap tidak terhindarkan, gunakan pasokan daya yang dilindungi peranti imbasan arus (residual current device - RCD).** Penggunaan RCD mengurangi risiko sengatan listrik.
7. **Mesin listrik dapat menghasilkan medan magnet (EMF) yang tidak berbahaya bagi pengguna.** Namun, pengguna alat pacu jantung atau peralatan medis sejenisnya harus berkonsultasi dengan produsen peralatan tersebut dan/atau dokter mereka sebelum mengoperasikan mesin listrik ini.

Keselamatan Diri

1. **Jaga kewaspadaan, perhatikan pekerjaan Anda dan gunakan akal sehat bila menggunakan mesin listrik. Jangan menggunakan mesin listrik saat Anda lelah atau di bawah pengaruh obat bius, alkohol, atau obat.** Sekejap saja lalai saat menggunakan mesin listrik dapat menyebabkan cedera badan serius.
2. **Gunakan alat pelindung diri. Selalu gunakan pelindung mata.** Peralatan pelindung seperti masker debu, sepatu pengaman anti-selip, helm pengaman, atau pelindung telinga yang digunakan untuk kondisi yang sesuai akan mengurangi risiko cedera badan.
3. **Cegah penyalaaan yang tidak disengaja. Pastikan bahwa sakelar berada dalam posisi mati (off) sebelum menghubungkan mesin ke sumber daya dan/atau paket baterai, atau mengangkat atau membawanya.** Membawa mesin listrik dengan jari Anda pada sakelarnya atau mengalirkan listrik pada mesin listrik yang sakelarnya hidup (on) akan mengundang kecelakaan.
4. **Lepaskan kunci-kunci penyetel sebelum menghidupkan mesin listrik.** Kunci-kunci yang masih terpasang pada bagian mesin listrik yang berputar dapat menyebabkan cedera.
5. **Jangan meraih terlalu jauh. Jagalah pijakan dan keseimbangan sepanjang waktu.** Hal ini memungkinkn kendali yang lebih baik atas mesin listrik dalam situasi yang tidak diharapkan.
6. **Kenakan pakaian yang memadai. Jangan memakai pakaian yang longgar atau perhiasan. Jaga jarak antara rambut dan pakaian Anda dengan komponen mesin yang bergerak.** Pakaian yang longgar, perhiasan, atau rambut yang panjang dapat tersangkut pada komponen yang bergerak.
7. **Jika tersedia fasilitas untuk menghisap dan mengumpulkan debu, pastikan fasilitas tersebut terhubung listrik dan digunakan dengan baik.** Penggunaan pembersih debu dapat mengurangi bahaya yang terkait dengan debu.
8. **Jangan sampai Anda lelah dan mengabaikan prinsip keselamatan mesin ini hanya karena sudah sering mengoperasikannya dan sudah merasa terbiasa.** Tindakan yang lalai dapat menyebabkan cedera berat dalam sepersekian detik saja.

9. **Selalu kenakan kacamata pelindung untuk melindungi mata dari cedera saat menggunakan mesin listrik. Kacamata harus sesuai dengan ANSI Z87.1 di Amerika Serikat, EN 166 di Eropa, atau AS/NZS 1336 di Australia/Selandia Baru. Di Australia/Selandia Baru, secara hukum Anda juga diwajibkan mengenakan pelindung wajah untuk melindungi wajah Anda.**



Menjadi tanggung jawab atas untuk menerapkan penggunaan alat pelindung keselamatan yang tepat bagi operator mesin dan orang lain yang berada di area kerja saat itu.

Penggunaan dan pemeliharaan mesin listrik

- 1. Jangan memaksa mesin listrik. Gunakan mesin listrik yang tepat untuk keperluan Anda.** Mesin listrik yang tepat akan menuntaskan pekerjaan dengan lebih baik dan aman pada kecepatan sesuai rancangannya.
- 2. Jangan gunakan mesin listrik jika sakelar tidak dapat menyala dan memastikannya.** Mesin listrik yang tidak dapat dikendalikan dengan sakelarnya adalah berbahaya dan harus diperbaiki.
- 3. Cabut steker dari sumber listrik dan/atau lepas paket baterai, jika dapat dilepas, dari mesin listrik sebelum melakukan penyetelan apa pun, mengganti aksesoris, atau menyimpan mesin listrik.** Langkah keselamatan preventif tersebut mengurangi risiko hidupnya mesin secara tak sengaja.
- 4. Simpan mesin listrik jauh dari jangkauan anak-anak dan jangan biarkan orang yang tidak paham mengenai mesin listrik tersebut atau petunjuk ini menggunakan mesin listrik.** Mesin listrik sangat berbahaya di tangan pengguna yang tak terlatih.
- 5. Rawatlah mesin listrik dan aksesoris. Periksa apakah ada komponen bergerak yang tidak lurus atau macet, komponen yang pecah, dan kondisi-kondisi lain yang dapat memengaruhi pengoperasian mesin listrik. Jika rusak, perbaiki mesin listrik terlebih dahulu sebelum digunakan.** Banyak kecelakaan disebabkan oleh kurangnya pemeliharaan mesin listrik.
- 6. Jaga agar mesin pemotong tetap tajam dan bersih.** Mesin pemotong yang terawat baik dengan mata pemotong yang tajam tidak mudah macet dan lebih mudah dikendalikan.
- 7. Gunakan mesin listrik, aksesoris, dan mata mesin, dll. sesuai dengan petunjuk ini, dengan memperhitungkan kondisi kerja dan jenis pekerjaan yang dilakukan.** Penggunaan mesin listrik untuk penggunaan yang lain dari peruntukan dapat menimbulkan situasi berbahaya.
- 8. Jagalah agar gagang dan permukaan pegangan tetap kering, bersih, dan bebas dari minyak dan pelumas.** Gagang dan permukaan pegangan yang licin tidak mendukung keamanan penanganan dan pengendalian mesin dalam situasi-situasi tak terduga.
- 9. Ketika menggunakan mesin, jangan menggunakan sarung tangan kain yang dapat tersangkut.** Sarung tangan kain yang tersangkut pada komponen bergerak dapat mengakibatkan cedera pada pengguna.

Penggunaan dan pemeliharaan mesin bertenaga baterai

- 1. Isi ulang baterai hanya dengan pengisi daya yang ditentukan oleh pabrik.** Pengisi daya yang cocok untuk satu jenis paket baterai dapat menimbulkan risiko kebakaran ketika digunakan untuk paket baterai yang lain.
- 2. Gunakan mesin listrik hanya dengan paket baterai yang telah ditentukan secara khusus.** Penggunaan paket baterai lain dapat menimbulkan risiko cedera dan kebakaran.
- 3. Ketika paket baterai tidak digunakan, jauhkan dari benda logam lain, seperti penjepit kertas, uang logam, kunci, paku, sekrup atau benda logam kecil lainnya, yang dapat menghubungkan satu terminal ke terminal lain.** Hubungan singkat terminal baterai dapat menyebabkan luka bakar atau kebakaran.
- 4. Pemakaian yang salah, dapat menyebabkan keluarnya cairan dari baterai; hindari kontak. Jika terjadi kontak secara tidak sengaja, bilas dengan air. Jika cairan mengenai mata, cari bantuan medis.** Cairan yang keluar dari baterai bisa menyebabkan iritasi atau luka bakar.
- 5. Jangan menggunakan paket baterai atau mesin yang sudah rusak atau telah diubah.** Baterai yang rusak atau telah diubah dapat menyebabkan hal-hal yang tidak dapat diprediksi yang dapat menyebabkan kebakaran, ledakan atau risiko cedera.
- 6. Jangan membiarkan paket baterai atau mesin dekat dengan api atau suhu yang berlebihan.** Paparan api atau suhu di atas 130 °C dapat menyebabkan ledakan.
- 7. Ikuti semua petunjuk pengisian daya dan jangan mengisi daya paket baterai atau mesin di luar rentang suhu yang ditentukan di panduan.** Mengisi daya secara tidak tepat atau pada suhu di luar rentang yang ditentukan dapat merusak baterai dan meningkatkan risiko kebakaran.

Servis

- 1. Berikan mesin listrik untuk diperbaiki hanya kepada oleh teknisi yang berkualifikasi dengan menggunakan hanya suku cadang pengganti yang serupa.** Hal ini akan menjamin terjaganya keamanan mesin listrik.

2. **Jangan pernah memperbaiki paket baterai yang sudah rusak.** Perbaikan paket baterai harus dilakukan hanya oleh produsen atau penyedia servis resmi.
3. **Patuhi petunjuk pelumasan dan penggantian aksesoris.**

Petunjuk Keselamatan Blower Ransel Bertenaga Baterai

⚠️ PERINGATAN: Bacalah semua peringatan keselamatan dan semua petunjuk. Kelalaian mematuhi peringatan dan petunjuk dapat menyebabkan sengatan listrik, kebakaran dan/atau cedera serius.

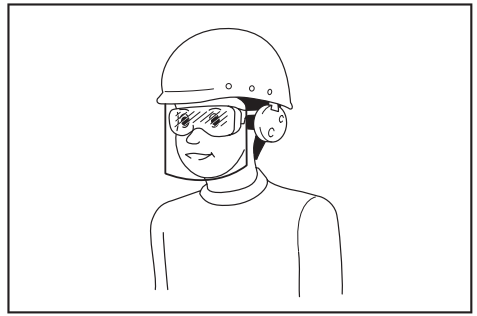
Simpanlah semua peringatan dan petunjuk untuk acuan di masa depan.

Pelatihan

1. **Baca petunjuk dengan saksama. Pahami kontrol dan cara penggunaan blower yang benar.**
2. **Anak kecil, orang dengan kemampuan fisik, indra, atau mental yang terbatas atau orang awam atau orang yang tidak dapat memahami petunjuk ini dilarang menggunakan blower ini.** Peraturan setempat mungkin membatasi usia operator.
3. **Jangan gunakan blower jika ada orang, khususnya anak-anak, atau binatang peliharaan di dekatnya.**
4. **Selalu ingat bahwa operator atau pengguna bertanggung jawab atas kecelakaan atau bahaya yang terjadi pada orang lain atau propertinya.**

Persiapan

1. **Selalu kenakan alas kaki dan celana panjang yang memadai saat menggunakan blower.**
2. **Jangan memakai pakaian yang kedodoran atau perhiasan yang dapat terisap oleh inlet udara. Jauhkan rambut panjang dari inlet udara.**
3. **Selalu kenakan kacamata pelindung untuk melindungi mata dari cedera saat menggunakan mesin listrik. Kacamata harus sesuai dengan ANSI Z87.1 di Amerika Serikat, EN 166 di Eropa, atau AS/NZS 1336 di Australia/Selandia Baru. Di Australia/Selandia Baru, secara hukum Anda juga diwajibkan mengenakan pelindung wajah untuk melindungi wajah Anda.**



Menjadi tanggung jawab atasan untuk menerapkan penggunaan alat pelindung keselamatan yang tepat bagi operator mesin dan orang lain yang berada di area kerja saat itu.

4. **Untuk mencegah iritasi karena debu disarankan menggunakan masker wajah.**
5. **Ketika mengoperasikan mesin, selalu kenakan sepatu pelindung antiselip.** Sepatu dan busa pelindung antiselip yang tertutup di bagian jarinya akan mengurangi risiko cedera.

Pengoperasian

1. **Matikan blower dan lepaskan kartrid baterai dan pastikan semua bagian yang bergerak telah berhenti sepenuhnya**
 - saat Anda meninggalkan blower.
 - sebelum membersihkan sumbatan.
 - sebelum memeriksa, membersihkan atau menggunakan blower.
 - jika blower mulai bergetar secara tidak normal.
2. **Gunakan blower hanya di siang hari atau dalam kondisi cahaya yang mencukupi.**
3. **Jangan meraih terlalu jauh dan jagalah pijakan dan keseimbangan sepanjang waktu.**
4. **Pastikan pijakan Anda sempurna saat berdiri di area miring.**
5. **Berjalanlah, jangan berlari.**
6. **Jauhkan semua inlet udara pendingin dari serpihan.**
7. **Jangan pernah meniupkan serpihan ke arah orang di sekitar.**
8. **Gunakan blower dalam posisi yang disarankan dan pada permukaan yang kokoh.**
9. **Jangan mengoperasikan blower di tempat yang tinggi.**
10. **Jangan mengarahkan nosel kepada siapa pun dalam jarak jangkauan saat menggunakan blower.**
11. **Jangan menghalangi inlet pengisap dan/atau outlet blower.**
 - **Berhati-hatilah agar inlet pengisap atau outlet blower tidak tersumbat oleh debu atau kotoran saat mengoperasikan di area berdebu.**
 - **Jangan gunakan nosel selain yang disediakan oleh Makita.**

- Jangan menggunakan blower untuk meniup bola, perahu karet atau benda sejenisnya.
12. Jangan menggunakan blower di dekat jendela yang terbuka, dll.
 13. Disarankan menggunakan blower pada waktu yang wajar - bukan pada pagi hari atau larut malam yang mungkin dapat mengganggu orang.
 14. Disarankan menggunakan garu dan sapu untuk membersihkan kotoran dari tanah sebelum menggunakan blower.
 15. Disarankan menggunakan nosel panjang sehingga aliran udara dapat mengalir di dekat permukaan tanah.
 16. Jika blower meniup benda asing atau mengeluarkan suara atau getaran aneh, segera matikan blower. Lepaskan kartrid baterai dari blower dan periksa apakah ada kerusakan sebelum kembali menyalakan dan menggunakan blower. Jika blower rusak, hubungi Pusat Layanan Resmi Makita untuk memperbaikinya.
 17. Jangan memasukkan jari atau benda lain ke dalam inlet pengisap atau outlet blower.
 18. Cegah penyalaan yang tidak disengaja. Pastikan bahwa sakelar berada dalam posisi off sebelum memasukkan kartrid baterai, atau mengangkat atau membawa blower. Membawa blower dengan jari berada di sakelar atau mengalirkan listrik pada mesin listrik dengan sakelar hidup dapat memicu kecelakaan.
 19. Jangan pernah meniup bahan berbahaya, seperti paku, pecahan kaca, atau mata pisau.
 20. Jangan mengoperasikan blower di dekat benda-benda yang mudah terbakar.
 21. Hindari mengoperasikan blower dalam waktu lama di lingkungan bersuhu rendah.
 22. Jangan gunakan mesin ketika ada risiko tersambar petir.
 23. Ketika Anda menggunakan mesin di permukaan berlumpur, lereng basah, atau tempat yang licin, perhatikan pijakan Anda dengan saksama.
 24. Jangan menggunakan mesin di cuaca yang buruk di mana jarak penglihatan menjadi terbatas. Jika Anda tidak mengikutinya, Anda dapat terjatuh atau pengoperasian dapat salah akibat jarak penglihatan yang rendah.
 25. Jangan biarkan mesin terendam genangan air.
 26. Jangan meninggalkan mesin tanpa pengawasan di luar saat hujan.
 27. Jangan menggunakan mesin dalam kondisi bersalju.
 28. Selama pengoperasian, jauhkan kabel dari rintangan. Kabel yang tersangkut oleh rintangan dapat menyebabkan cedera serius.

Perawatan dan penyimpanan

1. Kencangkan semua mur, baut, dan sekrup pengencang untuk memastikan bahwa blower aman untuk digunakan.
2. Jika komponen aus atau rusak, ganti dengan komponen yang disediakan oleh Makita.

3. Simpan di tempat yang kering jauh dari jangkauan anak-anak.
4. Saat Anda menghentikan blower untuk melakukan pemeriksaan, servis, penyempunan, atau penggantian aksesori, matikan blower dan pastikan semua komponen yang bergerak telah berhenti sepenuhnya, lalu keluarkan kartrid baterai. Dinginkan blower sebelum melakukan perbaikan pada blower. Rawat blower dengan hati-hati dan jaga kebersihannya.
5. Selalu biarkan blower menjadi dingin sebelum disimpan.
6. Jangan membiarkan blower terkena hujan. Simpan blower di dalam ruangan.
7. Saat mengangkat blower, pastikan untuk menekuk lutut dan berhati-hati agar tidak mencederai punggung.
8. Saat mencuci mesin, jangan biarkan air masuk ke dalam mekanisme listrik seperti baterai, motor, dan terminal.
9. Ketika menyimpan mesin, hindari terkena cahaya matahari dan hujan langsung, dan simpan di tempat yang jauh dari panas atau lembap.
10. Saat membawa mesin, pastikan untuk memegang mesin dengan kuat dengan memegang gagang mesin.
11. Saat membawa mesin, berhati-hatilah agar kabel tidak tersangkut rintangan.

Penggunaan dan pemeliharaan mesin bertenaga baterai

1. Isi ulang baterai hanya dengan pengisi daya yang ditentukan oleh pabrikan. Pengisi daya yang cocok untuk satu jenis paket baterai dapat menimbulkan risiko kebakaran ketika digunakan untuk paket baterai yang lain.
2. Gunakan mesin listrik hanya dengan paket baterai yang telah ditentukan secara khusus. Penggunaan paket baterai lain dapat menimbulkan risiko cedera dan kebakaran.
3. Ketika paket baterai tidak digunakan, jauhkan dari benda logam lain, seperti penjepit kertas, uang logam, kunci, paku, sekrup atau benda logam kecil lainnya, yang dapat menghubungkan satu terminal ke terminal lain. Hubungan singkat terminal baterai dapat menyebabkan luka bakar atau kebakaran.
4. Pemakaian yang salah, dapat menyebabkan keluarnya cairan dari baterai; hindari kontak. Jika terjadi kontak secara tidak sengaja, bilas dengan air. Jika cairan mengenai mata, cari bantuan medis. Cairan yang keluar dari baterai bisa menyebabkan iritasi atau luka bakar.
5. Jangan menggunakan paket baterai atau mesin yang sudah rusak atau telah diubah. Baterai yang rusak atau telah diubah dapat menyebabkan hal-hal yang tidak dapat diprediksi yang dapat menyebabkan kebakaran, ledakan atau risiko cedera.
6. Jangan membiarkan paket baterai atau mesin dekat dengan api atau suhu yang berlebihan. Paparan api atau suhu di atas 130 °C dapat menyebabkan ledakan.

- Ikuti semua petunjuk pengisian daya dan jangan mengisi daya paket baterai atau mesin di luar rentang suhu yang ditentukan di panduan. Mengisi daya secara tidak tepat atau pada suhu di luar rentang yang ditentukan dapat merusak baterai dan meningkatkan risiko kebakaran.

Keselamatan listrik dan baterai

- Jangan buang baterai ke nyala api. Sel baterai dapat meledak. Periksa kode setempat untuk petunjuk pembuangan khusus yang memungkinkan.
- Jangan buka atau bongkar baterai. Elektrolit yang terlepas bersifat korosif dan dapat melukai mata atau kulit. Zat tersebut dapat beracun jika tertelan.
- Jangan mengisi daya baterai saat hujan, atau di lokasi yang basah.
- Jangan mengisi daya baterai di luar ruangan.
- Jangan memegang pengisi daya, termasuk steker pengisi daya, dan terminal pengisi daya dengan tangan basah.
- Jangan ganti baterai dengan tangan basah.
- Jangan ganti baterai dalam kondisi hujan.
- Jangan membasahi terminal baterai dengan cairan seperti air, atau merendam baterai. Jangan tinggalkan baterai saat hujan, atau mengisi daya, menggunakan, atau menyimpan baterai di tempat yang lembap atau basah. Jika terminal basah atau cairan masuk ke dalam baterai, mungkin dapat terjadi hubungan singkat dan terdapat risiko kelebihan panas, terbakar, atau meledak.
- Setelah melepas baterai dari mesin atau pengisi daya, pastikan untuk menyimpannya di tempat kering.
- Jika kartrid baterai basah, keringkan air di dalamnya kemudian usap dengan kain kering. Biarkan kartrid baterai benar-benar kering di tempat kering sebelum digunakan.

Servis

- Berikan mesin listrik untuk diperbaiki hanya kepada oleh teknisi yang berkualifikasi dengan menggunakan hanya suku cadang pengganti yang serupa. Hal ini akan menjamin terjaminnya keamanan mesin listrik.
- Jangan pernah memperbaiki paket baterai yang sudah rusak. Perbaikan paket baterai harus dilakukan hanya oleh produsen atau penyedia servis resmi.

SIMPAN PETUNJUK INI.

⚠️ PERINGATAN: JANGAN biarkan kenyamanan atau terbiasanya Anda dengan produk (karena penggunaan berulang) mengurangi kepatuhan yang ketat terhadap aturan keselamatan untuk produk yang terkait.

PENYALAHGUNAAN atau kelalaian mematuhi kaidah keselamatan yang tertera dalam petunjuk ini dapat menyebabkan cedera badan serius.

Petunjuk keselamatan penting untuk kartrid baterai

- Sebelum menggunakan kartrid baterai, bacalah semua petunjuk dan penandaan pada (1) pengisi daya baterai, (2) baterai, dan (3) produk yang menggunakan baterai.
- Jangan membongkar atau memodifikasi kartrid baterai. Tindakan tersebut dapat menimbulkan api, panas berlebih, atau ledakan.
- Jika waktu beroperasinya menjadi sangat singkat, segera hentikan penggunaan. Hal tersebut dapat menimbulkan risiko panas berlebih, kemungkinan mengalami luka bakar atau bahkan terjadi ledakan.
- Jika elektrolit mengenai mata Anda, basuh dengan air bersih dan segera cari pertolongan medis. Hal tersebut dapat mengakibatkan hilangnya kemampuan penglihatan Anda.
- Jangan menghubungkan terminal kartrid baterai:
 - Jangan menyentuh terminal dengan bahan penghantar listrik apa pun.
 - Hindari menyimpan kartrid baterai pada wadah yang berisi benda logam lain seperti paku, uang logam, dsb.
 - Jangan membiarkan baterai terkena air atau kehujanan.Hubungan singkat baterai dapat menyebabkan aliran arus listrik yang besar, panas berlebih, kemungkinan mengalami luka bakar dan bahkan kerusakan pada baterai.
- Jangan menyimpan dan menggunakan mesin dan kartrid baterai pada lokasi dengan suhu yang bisa mencapai atau melebihi 50 °C (122 °F).
- Jangan membuang kartrid baterai di tempat pembakaran sampah walaupun benar-benar rusak atau tidak bisa digunakan sama sekali. Kartrid baterai bisa meledak jika terbakar.
- Jangan memaku, memotong, menghancurkan, melempar, menjatuhkan kartrid baterai, atau memukulkan benda keras ke kartrid baterai. Tindakan tersebut dapat menimbulkan api, panas berlebih, atau ledakan.
- Jangan menggunakan baterai yang rusak.
- Baterai litium-ion yang disertakan sesuai dengan persyaratan Perundangan Makanan Berbahaya. Harus ada pengawasan untuk pengangkutan komersial misalnya oleh pihak ketiga, ekspeditor, persyaratan khusus terhadap pengemasan dan pelabelan. Diperlukan adanya konsultasi dengan ahli mengenai material berbahaya untuk persiapan barang yang akan dikirimkan. Perhatikan pula peraturan nasional yang lebih terperinci yang mungkin ada. Beri perekat atau tutupi bagian yang terbuka dan kemasi baterai dengan cara yang tidak akan menimbulkan pergeseran dalam pengemasan.

11. Ketika membuang kartrid baterai, lepaskan dari mesin dan buang ke tempat yang aman. Patuhi peraturan setempat yang berkaitan dengan pembuangan baterai.
12. Gunakan baterai hanya dengan produk yang ditentukan oleh Makita. Memasang baterai pada produk yang tidak sesuai dapat menyebabkan kebakaran, kelebihan panas, ledakan, atau kebocoran elektrolit.
13. Jika mesin tidak digunakan dalam jangka waktu yang lama, baterai harus dilepas dari mesin.
14. Selama dan setelah digunakan, kartrid baterai mungkin menyimpan panas yang dapat menyebabkan luka bakar atau luka bakar suhu rendah. Perhatikan cara memegang kartrid baterai yang masih panas.
15. Jangan langsung menyentuh terminal mesin setelah digunakan karena suhunya mungkin cukup panas untuk menyebabkan luka bakar.
16. Jangan biarkan serpihan, debu, atau tanah menempel di terminal, lubang, dan alur kartrid baterai. Hal tersebut dapat menyebabkan pemanasan, kebakaran, ledakan, dan kegagalan fungsi mesin atau kartrid baterai, yang mengakibatkan luka bakar atau cedera diri.
17. Kecuali jika mesin mendukung penggunaan di dekat saluran listrik bertegangan tinggi, jangan gunakan kartrid baterai di dekat saluran listrik bertegangan tinggi. Hal tersebut dapat mengakibatkan kegagalan fungsi atau kerusakan mesin maupun kartrid baterai.
18. Jauhkan baterai dari jangkauan anak-anak.

SIMPAN PETUNJUK INI.

⚠PERHATIAN: Gunakan baterai asli Makita. Penggunaan baterai Makita yang tidak asli, atau baterai yang sudah diubah, akan mengakibatkan baterai mudah terbakar, cedera dan kerusakan. Akan menghilangkan garansi Makita pada pengisi daya dan alat Makita.

Tip untuk menjaga agar umur pemakaian baterai maksimum

1. Isi ulang kartrid baterai sebelum habis sama sekali. Selalu hentikan penggunaan mesin dan ganti kartrid baterai jika Anda melihat bahwa mesin kurang tenaga.
2. Jangan pernah mengisi ulang kartrid baterai yang sudah diisi penuh. Pengisian ulang yang berlebih memperpendek umur pemakaian baterai.
3. Isi ulang kartrid baterai pada suhu ruangan 10 °C - 40 °C. Biarkan kartrid baterai yang panas menjadi dingin terlebih dahulu sebelum diisi ulang.
4. Saat kartrid baterai tidak digunakan, lepaskan dari mesin atau pengisi daya.
5. Isi ulang daya kartrid baterai jika Anda tidak menggunakannya untuk jangka waktu yang lama (lebih dari enam bulan).

PERAKITAN

⚠PERHATIAN: Selalu pastikan bahwa mesin dimatikan dan kartrid baterai dilepas sebelum melakukan pekerjaan apa pun pada mesin.

Merakit pipa peniup

1. Kendurkan sekrup klem.
 - ▶ **Gbr.1:** 1. Sekrup klem
2. Pasang gagang kontrol ke pipa putar dan kencangkan sekrup klem.
 - ▶ **Gbr.2:** 1. Gagang kontrol 2. Pipa putar 3. Sekrup klem

PEMBERITAHUAN: Berhati-hatilah agar kabel pada gagang kontrol tidak terpelintir ketika memasang gagang kontrol pada pipa putar.

3. Kendurkan sekrup pada penjepit selang, dan kemudian pasang penjepit selang ke pipa fleksibel. Pasang pipa putar ke pipa fleksibel, dan kemudian kencangkan sekrup pada penjepit selang.
 - ▶ **Gbr.3:** 1. Pipa putar 2. Penjepit selang 3. Pipa fleksibel
4. Kendurkan sekrup pada penjepit selang, dan kemudian pasang penjepit selang ke pipa fleksibel. Pasang pipa fleksibel ke pipa siku, dan kemudian kencangkan sekrup pada penjepit selang.
 - ▶ **Gbr.4:** 1. Pipa fleksibel 2. Penjepit selang 3. Siku

PEMBERITAHUAN: Pastikan sekrup pada penjepit selang menghadap ke arah yang ditunjukkan dalam gambar.

▶ **Gbr.5:** 1. Sekrup

5. Jepit kabel kontrol ke tempat kabel.
 - ▶ **Gbr.6:** 1. Tempat kabel 2. Kabel kontrol

PEMBERITAHUAN: Pastikan bahwa kabel kontrol telah terkunci dengan kuat pada tempat dudukan.

Memasang nosel ujung

Sejajarkan tanda segitiga pada nosel ujung dengan tanda segitiga tersebut pada pipa putar, kemudian pasang nosel ujung ke pipa putar, dan kemudian putar nosel ujung untuk menguncinya.

- ▶ **Gbr.7:** 1. Tanda segitiga 2. Ujung nosel 3. Pipa putar

Untuk melepas nosel ujung, lakukan langkah seperti prosedur pemasangan dengan urutan terbalik.

CATATAN: Panjang nosel dapat diubah dengan menggerakkan nosel seperti ditunjukkan pada gambar.

- ▶ **Gbr.8:** 1. Ujung nosel 2. Pipa putar

Memasang nosel datar atau nosel ekstensi

Pilihan aksesoris

CATATAN: Jika nosel ujung terpasang, lepaskan sebelum memasang pipa adaptor.

- Sejajarkan tanda segitiga pada pipa adaptor dengan tanda segitiga tersebut pada pipa putar, kemudian pasang pipa adaptor ke pipa putar, dan kemudian putar untuk menguncinya.
► **Gbr.9:** 1. Tanda segitiga 2. Pipa adaptor 3. Pipa putar
- Sejajarkan tanda segitiga pada nosel datar atau nosel ekstensi dengan tanda segitiga tersebut pada pipa adaptor, kemudian pasang nosel datar atau nosel ekstensi ke pipa adaptor, dan kemudian putar untuk menguncinya.
► **Gbr.10:** 1. Nosel datar 2. Nosel ekstensi 3. Pipa adaptor 4. Tanda segitiga

Untuk melepas pipa adaptor, nosel datar, dan nosel ekstensi, lakukan langkah seperti prosedur pemasangan dengan urutan terbalik.

Menyesuaikan sabuk dan harness bahu

- Pasang mesin, kemudian kunci gesper ikat pinggang, dan kemudian sesuaikan panjang ikat pinggang.
► **Gbr.11:** 1. Gesper
- Setel panjang harness bahu.
► **Gbr.12:** 1. Harness bahu

Menyetel posisi tuas kontrol

Kendurkan sekrup klem. Pindahkan gagang kontrol dengan pipa putar ke posisi yang lebih nyaman, dan kemudian kencangkan sekrup penjepit.

- Gagang kontrol 2. Pipa putar 3. Sekrup penjepit

DESKRIPSI FUNGSI

PERHATIAN: Selalu pastikan bahwa mesin sudah dimatikan dan kartrid baterai dilepas sebelum menyetel atau memeriksa fungsi mesin.

Memasang atau melepas paket daya portabel

PERHATIAN: Selalu matikan mesin sebelum memasang atau melepas paket daya portabel.

PERHATIAN: Pegang mesin dan paket daya portabel dengan kuat saat memasang atau melepas paket daya portabel. Apabila keduanya tidak dipegang dengan kuat, mesin dapat terlepas dari tangan Anda dan mengakibatkan kerusakan pada paket daya portabel dan serta menyebabkan cedera badan.

PERHATIAN: Pastikan paket daya portabel terpasang kuat ke mesin. Jika tidak, kartrid baterai dapat terlepas dari mesin secara tidak sengaja, menyebabkan cedera pada Anda atau orang di sekitar Anda.

PERHATIAN: Sebelum penggunaan, pastikan kabel telah terpasang kuat ke penahan kabel dan soket dimasukkan ke dalam steker.

- Tarik keluar kabel ke arah sebagaimana ditunjukkan dalam gambar. Ketika menarik kabel, pastikan kabel terpasang pada penahan seperti ditunjukkan pada gambar.
► **Gbr.14:** 1. Kabel 2. Penahan
- Pasang paket daya portabel ke mesin seperti ditunjukkan pada gambar.
► **Gbr.15:** 1. Paket daya portabel

PERHATIAN: Berhati-hatilah agar jari atau ibu jari Anda tidak terjepit di antara paket daya portabel dan mesin saat memasang paket daya portabel.

PERHATIAN: Pastikan bahwa paket daya portabel terpasang kuat ke mesin. Jika tidak, paket daya portabel dapat jatuh saat Anda mengenakan atau menggunakan mesin, dan menyebabkan cedera. Jika Anda bisa melihat indikator berwarna merah sebagaimana ditunjukkan dalam gambar, ini artinya paket daya portabel tidak terkunci sempurna.
► **Gbr.16:** 1. Indikator berwarna merah

PERHATIAN: Saat paket daya portabel, tekan tombol kunci sambil memegang pegangan dengan kencang.
► **Gbr.17:** 1. Pegangan 2. Tombol kunci

- Pasang kabel ke penahan kabel seperti ditunjukkan pada gambar.
► **Gbr.18:** 1. Penahan kabel 2. Kabel
- Buka penutup steker, kemudian sejajarkan tanda panah pada soket dengan tanda panah yang ada pada mesin, lalu masukkan soket ke dalam steker.
► **Gbr.19:** 1. Penutup steker 2. Soket

PEMBERITAHUAN: Jangan memasukkan soket secara paksa. Jika soket sulit dimasukkan, berarti cara pemasangannya salah.

PEMBERITAHUAN: Pegang bagian soket saat melepaskan soket dari steker, dan jangan memegang bagian kabelnya. Jika tidak, kabel dapat rusak dan menyebabkan malafungsi pada mesin.

Untuk melepas paket daya portabel, lakukan langkah seperti prosedur pemasangan dengan urutan terbalik.

Mengindikasikan kapasitas baterai yang tersisa

► **Gbr.20:** 1. Indikator baterai 2. Tombol pemeriksaan
Tekan tombol pemeriksaan untuk melihat kapasitas baterai yang tersisa.

Status indikator baterai			Kapasitas baterai yang tersisa
Menyala	Mati	Berkedip	
			50% hingga 100%
			20% hingga 50%
			0% hingga 20%

CATATAN: Lampu indikator untuk kapasitas baterai yang tersisa hanya sebagai referensi. Kapasitas baterai sebenarnya mungkin berbeda bergantung pada kondisi penggunaan atau suhu sekitar.

CATATAN: Saat mesin beroperasi, lampu indikator tidak menyala meskipun Anda menekan tombol centang.

CATATAN: Lampu secara otomatis mati setelah beberapa detik.

Sistem perlindungan mesin/baterai

Mesin ini dilengkapi dengan sistem perlindungan mesin/baterai. Sistem ini memutuskan aliran daya ke motor secara otomatis untuk memperpanjang umur pakai mesin dan baterai. Mesin akan berhenti secara otomatis saat dioperasikan jika mesin atau baterai mengalami salah satu dari kondisi-kondisi berikut ini:

Perlindungan kelebihan beban

Jika baterai digunakan dengan cara yang menjadikan baterai mengeluarkan arus tinggi yang berlebihan, mesin akan berhenti secara otomatis dan lampu daya utama berkedip hijau. Dalam situasi ini, matikan mesin dan hentikan pekerjaan yang menyebabkan peralatan mengalami kelebihan beban. Kemudian, nyalakan mesin untuk kembali melanjutkan pekerjaan.

CATATAN: Lampu daya utama juga berkedip hijau dan mesin akan secara otomatis berhenti jika mesin dioperasikan terus menerus dalam waktu lama. Pada kondisi ini, lepas pelatuk sakelar dan kembalikan tuas kontrol sepenuhnya, lalu tarik pelatuk sakelar lagi untuk menyalakan kembali mesin.

Perlindungan panas berlebih

Apabila mesin atau baterai menjadi terlalu panas, mesin akan berhenti secara otomatis dan lampu daya utama akan berkedip merah. Dalam keadaan ini, tunggu hingga mesin dan baterai mendingin sebelum dinyalakan kembali.

CATATAN: Lampu daya utama berkedip merah saat baterai terlalu panas.

Perlindungan pengisian daya berlebih

Apabila kapasitas baterai tidak mencukupi, mesin akan berhenti secara otomatis dan lampu daya utama akan berkedip merah. Jika terjadi, lepaskan baterai dari mesin dan isi baterai atau ganti baterai dengan yang terisi penuh.

Perlindungan terhadap penyebab lain

Sistem perlindungan juga dirancang untuk penyebab lain yang dapat merusak mesin dan memungkinkan mesin untuk berhenti secara otomatis. Lakukan semua langkah berikut ini untuk mengatasi penyebabnya, saat mesin dihentikan sementara atau berhenti beroperasi.

1. Matikan mesin, dan kemudian hidupkan kembali untuk memulai ulang.
2. Isi baterai atau ganti dengan baterai yang sudah diisi ulang.
3. Biarkan mesin dan baterai menjadi dingin.

Jika tidak ada peningkatan yang dapat ditemukan dengan memulihkan sistem perlindungan, hubungi Pusat Servis Makita setempat Anda.

PEMBERITAHUAN: Jika mesin berhenti karena penyebab yang tidak dijelaskan di atas, lihat bagian untuk pemecahan masalah.

Sakelar daya utama

PERINGATAN: Selalu matikan sakelar daya utama saat tidak digunakan.

Untuk menyalakan mesin, tekan sakelar daya utama. Untuk mematikan, tekan sakelar daya utama lagi.

► **Gbr.21:** 1. Lampu daya utama 2. Sakelar daya utama

CATATAN: Mesin menggunakan fungsi pemutus daya otomatis. Untuk menghindari penyalakan yang tidak disengaja, sakelar daya utama akan secara otomatis mati ketika mesin tidak dioperasikan selama beberapa saat setelah sakelar daya utama dinyalakan.

CATATAN: Jika lampu daya utama menyala merah atau berkedip merah atau hijau, merujuklah pada instruksi untuk sistem perlindungan mesin/baterai.

KERJA sakelar

PERINGATAN: Sebelum memasang paket daya portabel pada mesin, selalu periksa untuk memastikan pelatuk sakelar berfungsi dengan baik dan kembali ke posisi "OFF" saat dilepas.

Untuk menjalankan mesin, cukup tarik pelatuk sakelar. Kecepatan akan meningkat dengan menambah tekanan pada pelatuk sakelar. Lepaskan pelatuk sakelar untuk menghentikan.

► **Gbr.22:** 1. Pelatuk sakelar

Fungsi kontrol jelajah

Fungsi kontrol jelajah memungkinkan operator untuk mempertahankan kecepatan konstan tanpa menarik pelatuk. Untuk menambah kecepatan, putar tuas kontrol ke depan. Untuk mengurangi kecepatan, putar tuas kontrol ke belakang.

► **Gbr.23:** 1. Tuas kontrol

Fungsi elektronik

Mesin ini dilengkapi dengan fungsi elektronik untuk pengoperasian yang mudah.

- Kontrol kecepatan konstan
Fungsi kontrol kecepatan memberikan kecepatan rotasi yang konstan terlepas dari kondisi muatan.

Fungsi pencegah penyalakan ulang secara tidak sengaja

Saat Anda menghidupkan mesin sambil menarik pelatuk sakelar, mesin tidak menyala dan lampu daya utama berkedip hijau. Untuk menyalakan mesin, lepaskan pelatuk sakelar dan kembalikan tuas kontrol sepenuhnya terlebih dahulu, dan kemudian nyalakan mesin.

PENGGUNAAN

PERHATIAN: Saat mengenakan mesin, pastikan harness bahu dikenakan di kedua bahu Anda. Jika tidak, mesin dapat jatuh saat Anda mengenakan atau menggunakan mesin, dan menyebabkan cedera.

PERHATIAN: Saat mengenakan mesin, pastikan untuk meletakkan mesin di bahu Anda. Jika tidak, mesin dapat jatuh selama pengoperasian dan menyebabkan cedera.

PERHATIAN: Jangan meletakkan mesin di atas tanah saat masih beroperasi. Pasir atau debu dapat masuk dari inlet pengisap dan menyebabkan kerusakan fungsi atau cedera badan.

1. Tekan tombol daya pada paket daya portabel. Lampu daya utama akan menyala.
► **Gbr.24:** 1. Tombol daya 2. Lampu daya utama
2. Kenakan harness bahu dari mesin dan kunci gesper pada ikat pinggang.
3. Tekan sakelar daya utama untuk menghidupkan mesin.

Mesin siap untuk dioperasikan. Mesin akan bekerja saat Anda menarik pelatuk sakelar.

► **Gbr.25:** 1. Sakelar daya utama

Pegang gagang kontrol dengan kuat dan lakukan operasi peniupan dengan menggerakannya di sekitar secara perlahan. Saat mengoperasikan di sekitar bangunan, batu besar atau kendaraan, arahkan nosel menjauh dari bangunan/benda tersebut. Saat melakukan pengoperasian di sudut, mulai dari sudut, kemudian pindah ke area yang luas.

► **Gbr.26**

Saat menurunkan mesin, buka kunci gesper ikat pinggang, dan kemudian turunkan mesin perlahan-lahan.

► **Gbr.27:** 1. Gesper

PERAWATAN

PERHATIAN: Selalu pastikan bahwa mesin sudah dimatikan dan kartrid baterai dilepas sebelum melakukan pemeriksaan atau perawatan.

Untuk menjaga KEAMANAN dan KEANDALAN mesin, perbaikan, perawatan atau penyetelan lainnya harus dilakukan oleh Pusat Layanan Resmi atau Pabrik Makita; selalu gunakan suku cadang pengganti buatan Makita.

Membersihkan mesin

PEMBERITAHUAN: Jangan sekali-kali menggunakan bensin, tiner, alkohol, atau bahan sejenisnya. Penggunaan bahan demikian dapat menyebabkan perubahan warna, perubahan bentuk atau timbulnya retakan.

Bersihkan mesin dari debu menggunakan kain kering atau dicelupkan di air sabun dan diperas.

Bersihkan debu atau kotoran dari saluran isap.

► **Gbr.28:** 1. Tempat masuk pengisap

Penyimpanan

PEMBERITAHUAN: Pastikan untuk menutup penutup steker sebelum disimpan. Jika penutup steker dibuka atau tidak ditutup sepenuhnya, debu dapat masuk ke mesin dan menyebabkan kegagalan fungsi mesin.

Sebelum menyimpan mesin, cabut soket dari steker dan lakukan perawatan penuh. Simpan mesin di tempat yang jauh dari jangkauan anak-anak dan tidak terkena udara lembap, hujan, atau sinar matahari langsung. Anda dapat menghubungkan pita pipa ke mesin sebagaimana ditunjukkan dalam gambar untuk membuat pipa berdiri.

► **Gbr.29:** 1. Soket 2. Penutup steker 3. Pita

PEMECAHAN MASALAH

Sebelum meminta perbaikan, lakukan pemeriksaan mandiri terlebih dahulu. Jika Anda menemukan masalah yang tidak dijelaskan dalam buku petunjuk ini, jangan coba membongkar mesin. Hubungi Pusat Servis Resmi Makita, dan selalu gunakan suku cadang pengganti Makita untuk perbaikan.

Keadaan Tidak Normal	Kemungkinan penyebab (kerusakan fungsi)	Perbaikan
Motor tidak berjalan.	Baterai tidak terpasang.	Pasang baterai.
	Masalah baterai (kekurangan tegangan)	Isi ulang daya baterai. Jika pengisian ulang daya tidak berhasil, gantilah baterai.
	Sistem penggerak tidak bekerja secara benar.	Mintalah pusat servis resmi setempat untuk melakukan perbaikan.
Motor berhenti setelah digunakan sebentar.	Daya baterai rendah.	Isi ulang daya baterai. Jika pengisian ulang daya tidak berhasil, gantilah baterai.
	Panas berlebih.	Hentikan penggunaan agar mesin dapat menjadi dingin.
Mesin tidak mencapai kecepatan maksimum.	Baterai dipasang secara tidak tepat.	Pasang baterai seperti yang dijelaskan dalam buku petunjuk ini.
	Daya baterai menurun.	Isi ulang daya baterai. Jika pengisian ulang daya tidak berhasil, gantilah baterai.
	Sistem penggerak tidak bekerja secara benar.	Mintalah pusat servis resmi setempat untuk melakukan perbaikan.
Getaran tidak normal: ⇒ segera hentikan mesin!	Sistem penggerak tidak bekerja secara benar.	Mintalah pusat servis resmi setempat untuk melakukan perbaikan.
Motor tidak dapat berhenti: ⇒ Segera lepaskan baterai!	Gangguan listrik atau elektronik.	Lepas baterai dan mintalah pusat servis resmi setempat untuk melakukan perbaikan.

AKSESORI PILIHAN

⚠ PERHATIAN: Dianjurkan untuk menggunakan aksesoris atau perangkat tambahan ini dengan produk Makita Anda yang ditentukan dalam petunjuk ini. Penggunaan aksesoris atau perangkat tambahan lain bisa menyebabkan risiko cedera pada manusia. Hanya gunakan aksesoris atau perangkat tambahan yang sesuai dengan tujuan yang telah ditetapkan.

- Nosel ekstensi
- Nosel datar
- Pipa adaptor
- Baterai dan pengisi daya asli buatan Makita

CATATAN: Beberapa item dalam daftar tersebut mungkin sudah termasuk dalam paket produk sebagai aksesoris standar. Kelengkapan item dapat berbeda dari satu negara ke negara lainnya.

Jika Anda memerlukan bantuan lebih rinci berkenaan dengan aksesoris ini, tanyakan pada Pusat Layanan Makita terdekat.

SPEKIFIKASI

Model:		UB002C
Kapasiti	Isi padu udara	0 - 19.0 m ³ /min
	Kelajuan udara (purata)	0 - 60.0 m/s
	Kelajuan udara (maksimum)	0 - 71.7 m/s
Dimensi (P x L x T) (dengan muncung hujung)		1,368 mm x 694 mm x 715 mm
Voltan terkadar		D.C. 36 V - 40 V maks
Berat bersih		15.9 - 16.1 kg
Tahap perlindungan		IPX4

- Disebabkan program penyelidikan dan pembangunan kami yang berterusan, spesifikasi yang terkandung di dalam ini adalah tertakluk kepada perubahan tanpa notis.
- Spesifikasi mungkin berbeza mengikut negara.
- Berat mungkin berbeza bergantung kepada pemasangan, termasuk kartrij bateri. Kombinasi paling ringan dan paling berat, mengikut Prosedur EPTA 01/2014, ditunjukkan di dalam jadual.








Pek kuasa mudah alih yang boleh digunakan

PDC1200

⚠️ AMARAN: Gunakan hanya pek kuasa mudah alih yang disenaraikan di atas. Penggunaan mana-mana pek kuasa mudah alih lain mungkin menyebabkan kecederaan dan/atau kebakaran.

Simbol

Berikut menunjukkan simbol-simbol yang boleh digunakan untuk alat ini. Pastikan anda memahami maksudnya sebelum menggunakan.

	Sila gunakan dengan berhati-hati dan penuh perhatian.
	Baca manual arahan.
	Jauhkan tangan daripada bahagian berputing.
	Rambut yang panjang mungkin menyebabkan kemalangan kekusutan.
	Pastikan orang sekeliling jauh.
	Pakai perlindungan mata dan telinga.
	Jangan dedahkan kepada kelembapan.



Hanya untuk negara-negara EU
Disebabkan kehadiran komponen berbahaya dalam peralatan, sisa peralatan elektrik dan elektronik, akumulator dan bateri boleh memberi kesan negatif terhadap persekitaran dan kesihatan manusia.

Jangan buang alat elektrik dan elektronik atau bateri bersama dengan bahan buangan isi rumah!

Mengikut Arahan Eropah mengenai sisa peralatan elektrik dan elektronik dan mengenai akumulator dan bateri dan sisa akumulator dan bateri serta penyesuaian dengan undang-undang negara, sisa peralatan elektrik, bateri dan akumulator hendaklah disimpan secara berasingan dan dihantar ke tempat pengumpulan berasingan untuk sisa perbandaran, beroperasi mengikut peraturan perlindungan persekitaran.

Ini ditunjukkan oleh simbol tong sampah beroda yang bersilang pada peralatan.



Aras kuasa bunyi terjamin menurut Arahan Redam Di Luar Kesatuan Eropah.



Aras kuasa bunyi menurut Peraturan Kawalan Redam NSW, Australia

Tujuan penggunaan

Mesin ini bertujuan untuk menghembus habuk.

Mengenai manual arahan ini

Istilah "bateri", "kartrij bateri" atau "pek bateri" di dalam manual arahan ini merujuk kepada "pek kuasa mudah alih".

AMARAN KESELAMATAN

Amaran keselamatan umum alat kuasa

⚠️AMARAN: Baca semua amaran keselamatan, arahan, ilustrasi dan spesifikasi yang disediakan dengan alat kuasa ini. Kegagalan mengikut amaran dan arahan boleh menyebabkan kejutan elektrik, kebakaran dan/atau kecederaan serius.

Simpan semua amaran dan arahan untuk rujukan masa depan.

Istilah "alat kuasa" dalam amaran merujuk kepada alat kuasa yang menggunakan tenaga elektrik (kabel) atau alat kuasa yang menggunakan bateri (tanpa kord).

Keselamatan kawasan kerja

1. **Pastikan kawasan kerja bersih dan terang.** Kawasan berselerak atau gelap mengundang kemalangan.
2. **Jangan kendalikan alat kuasa dalam keadaan yang mudah meletup, seperti dalam kehadiran cecair, gas atau habuk yang mudah terbakar.** Alat kuasa menghasilkan percikan api yang boleh menyalakan debu atau wasap.
3. **Jauhkan kanak-kanak dan orang ramai semasa mengendalikan alat kuasa.** Gangguan boleh menyebabkan anda hilang kawalan.

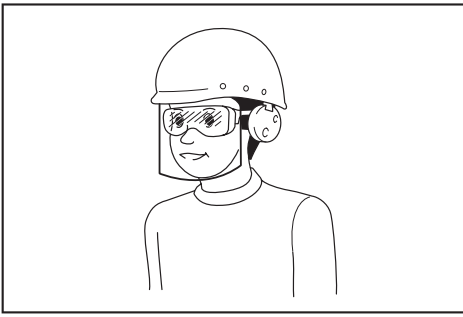
Keselamatan elektrik

1. **Palam alat kuasa mesti sepadan dengan soket.** Jangan ubah suai palam dalam apa cara sekalipun. Jangan gunakan sebarang palam penyesuai dengan alat kuasa terbumi. Palam yang tidak diubah suai dan soket yang sepadan akan mengurangkan risiko kejutan elektrik.
2. **Elakkan sentuhan badan dengan permukaan terbumi, seperti paip, radiator, dapur dan peti sejuk.** Terdapat peningkatan risiko kejutan elektrik jika elektrik terbumi terkena badan anda.
3. **Jangan biarkan alat kuasa terkena hujan atau basah.** Air yang memasuki alat kuasa akan meningkatkan risiko kejutan elektrik.
4. **Jangan salah gunakan kord.** Jangan gunakan kord untuk membawa, menarik atau mencabut palam alat kuasa. Jauhkan kord dari haba, minyak, bucu tajam atau bahagian yang bergerak. Kord yang rosak atau tersimpul meningkatkan risiko kejutan elektrik.
5. **Semasa mengendalikan alat kuasa di luar, gunakan kord sambungan yang bersesuaian untuk kegunaan luar.** Penggunaan kord yang sesuai untuk kegunaan luar mengurangkan risiko kejutan elektrik.
6. **Sekiranya pengendalian alat kuasa di lokasi lembap tidak dapat dielakkan, gunakan bekalan peranti arus sisa (RCD) yang dilindungi.** Penggunaan RCD mengurangkan risiko kejutan elektrik.

7. **Alat kuasa boleh menghasilkan medan elektromagnetik (EMF) yang tidak berbahaya kepada pengguna.** Walau bagaimanapun, pengguna perentak jantung atau peranti perubatan yang serupa harus menghubungi pembuat peranti mereka dan/atau doktor untuk nasihat sebelum mengendalikan alat kuasa ini.

Keselamatan diri

1. **Sentiasa berwaspada, perhatikan apa yang anda lakukan dan guna akal budi semasa mengendalikan alat kuasa. Jangan gunakan alat kuasa semasa anda letih atau di bawah pengaruh dadah, alkohol atau ubat.** Kelekaan seketika semasa mengendalikan alat kuasa boleh menyebabkan kecederaan diri yang serius.
2. **Gunakan peralatan pelindungan diri. Sentiasa pakai pelindungan mata.** Peralatan pelindungan seperti topeng debu, kasut keselamatan tak mudah tergelincir, topi keselamatan atau pelindungan pendengaran yang digunakan untuk keadaan yang sesuai akan mengurangkan kecederaan diri.
3. **Elakkan permulaan yang tidak disengajakan. Pastikan suis ditutup sebelum menyambung kepada sumber kuasa dan/atau pek bateri, semasa mengangkat atau membawa alat.** Membawa alat kuasa dengan jari anda pada suis atau menahan tangan alat kuasa dengan suis pada kedudukan hidup mengundang kemalangan.
4. **Alihkan sebarang kunci atau sepana pelaras sebelum menghidupkan alat kuasa.** Sepana atau kunci yang ditinggalkan pada bahagian berputar alat kuasa boleh menyebabkan kecederaan diri.
5. **Jangan lampau jangkau. Jaga pijakan dan keseimbangan yang betul pada setiap masa.** Ini membolehkan kawalan alat kuasa yang lebih baik dalam situasi yang tidak dijangka.
6. **Berpakaian dengan betul. Jangan pakai pakaian yang longgar atau barang kemas. Jauhkan rambut dan pakaian anda dari bahagian yang bergerak.** Pakaian longgar, barang kemas atau rambut yang panjang boleh terperangkap dalam bahagian yang bergerak.
7. **Jika peranti disediakan untuk sambungan kemudahan pengeksktrakan dan pengumpulan habuk, pastikan ia disambung dan digunakan dengan betul.** Penggunaan pengumpulan habuk boleh mengurangkan bahaya berkaitan habuk.
8. **Jangan biarkan kebiasaan daripada kekerapan penggunaan alat membuat anda berpuas hati dan mengabaikan prinsip keselamatan alat.** Kecuaian boleh menyebabkan kecederaan serius dalam sekelip mata.
9. **Sentiasa pakai gogal pelindung untuk melindungi mata anda daripada kecederaan apabila menggunakan alat kuasa.** Gogal mestilah mematuhi ANSI Z87.1 di AS, EN 166 di Eropah, atau AS/NZS 1336 di Australia/New Zealand. Di Australia/New Zealand, undang-undang mengarahkan untuk memakai pelindung muka bagi melindungi muka anda, juga.



Menjadi tanggungjawab majikan untuk menguatkuasa penggunaan peralatan perlindungan keselamatan yang bersesuaian oleh pengendali alat dan oleh orang lain dalam kawasan bekerja semasa.

Penggunaan dan penjagaan alat kuasa

1. **Jangan gunakan alat kuasa dengan kasar. Gunakan alat kuasa yang betul untuk penggunaan anda.** Alat kuasa yang betul akan melakukan tugas dengan lebih baik dan lebih selamat pada kadar mana ia direka cipta.
2. **Jangan gunakan alat kuasa jika suis tidak berfungsi untuk menghidupkan dan mematikannya.** Alat kuasa yang tidak dapat dikawal dengan suis adalah berbahaya dan mesti dibaiki.
3. **Cabut palam dari sumber kuasa dan/atau keluarkan pek bateri, jika boleh ditanggalkan, dari alat kuasa sebelum membuat sebarang pelarasan, menukar aksesori, atau menyimpan alat kuasa.** Langkah-langkah keselamatan pencegahan sedemikian mengurangkan risiko memulakan alat kuasa secara tidak sengaja.
4. **Simpan alat kuasa yang tidak digunakan jauh dari jangkauan kanak-kanak dan jangan biarkan orang yang tidak biasa dengan alat kuasa atau arahan ini untuk mengendalikan alat kuasa.** Alat kuasa adalah berbahaya di tangan pengguna yang tidak terlatih.
5. **Menyelenggara alat kuasa dan aksesori. Periksa salah jajaran atau ikatan pada bahagian yang bergerak, bahagian yang pecah dan apa-apa keadaan lain yang boleh menjejaskan operasi alat kuasa. Jika rosak,baiki alat kuasa sebelum digunakan.** Kebanyakan kemalangan adalah disebabkan oleh alat kuasa yang tidak dijaga dengan baik.
6. **Pastikan alat pemotong tajam dan bersih.** Alat pemotong yang dijaga dengan betul dengan hujung pemotong yang tajam mempunyai kemungkinan yang rendah untuk terikat dan lebih mudah dikendalikan.
7. **Gunakan alat kuasa, aksesori dan alat bit dan sebagainya mengikut arahan ini dengan mengambil kira keadaan kerja dan kerja yang perlu dilakukan.** Penggunaan alat kuasa untuk operasi yang berbeza dari yang dimaksudkan boleh menyebabkan keadaan berbahaya.

8. **Pastikan pemegang dan permukaan pegangan kering, bersih dan bebas dari minyak dan gris.** Pemegang dan permukaan pegangan yang licin tidak membolehkan pengendalian dan kawalan selamat bagi alat dalam situasi yang tidak dijangka.
9. **Apabila menggunakan alat, jangan pakai sarung tangan kerja kain yang mungkin boleh kusut.** Kekusutan sarung tangan kerja kain pada bahagian yang bergerak boleh menyebabkan kecederaan diri.

Penggunaan dan penjagaan alat bateri

1. **Cas semula dengan pengecas yang ditentukan oleh pengeluar sahaja.** Pengecas yang sesuai untuk satu jenis pek bateri mungkin menimbulkan risiko kebakaran apabila digunakan dengan pek bateri lain.
2. **Gunakan alat kuasa dengan pek bateri yang ditentukan secara khusus sahaja.** Penggunaan mana-mana pek bateri lain mungkin menimbulkan risiko kecederaan dan kebakaran.
3. **Apabila pek bateri tidak digunakan, jauhkannya daripada objek besi lain, seperti klip kertas, duit syiling, paku, skru atau objek besi kecil lain, yang boleh membuat sambungan dari satu terminal ke yang lain.** Memintas terminal bateri bersama-sama mungkin menyebabkan letupan atau kebakaran.
4. **Di bawah keadaan kasar, cecair mungkin dikeluarkan daripada bateri; elakkan sentuhan. Jika tersentuh secara tidak sengaja, siram dengan air. Jika cecair terkena mata, dapatkan bantuan perubatan di samping siraman air.** Cecair yang dikeluarkan dari bateri mungkin menyebabkan kegatalan atau letupan.
5. **Jangan gunakan pek bateri atau alat yang rosak atau diubah suai.** Bateri yang rosak atau diubah suai mungkin menunjukkan perilaku yang tidak dijangka menyebabkan kebakaran, letupan atau risiko kecederaan.
6. **Jangan dedahkan pek bateri atau alat kepada api atau suhu yang berlebihan.** Pendedahan kepada api atau suhu melebihi 130 °C mungkin menyebabkan letupan.
7. **Ikut semua arahan pengecasan dan jangan cas pek bateri atau alat di luar julat suhu yang ditetapkan dalam arahan.** Mengecas dengan tidak betul atau pada suhu di luar julat yang dinyatakan mungkin merosakkan bateri dan meningkatkan risiko kebakaran.

Servis

1. **Pastikan alat kuasa anda diservis oleh orang yang berkelayakan dengan hanya menggunakan alat ganti yang sama.** Ini akan memastikan keselamatan alat kuasa dapat dikekalkan.
2. **Jangan servis pek bateri yang telah rosak.** Servis pek bateri hanya boleh dilakukan oleh pengeluar atau penyedia servis yang sah.
3. **Ikut arahan untuk melincir dan menukar aksesori.**

Arahan Keselamatan Penghembus Beg Galas Berkuasa Bateri

AMARAN: Baca semua amaran keselamatan dan semua arahan. Kegagalan mematuhi amaran dan arahan boleh menyebabkan kejutan elektrik, kebakaran dan/atau kecederaan serius.

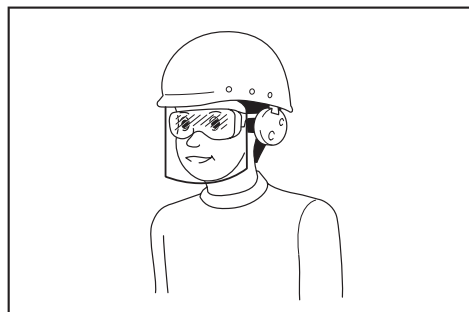
Simpan semua amaran dan arahan untuk rujukan masa depan.

Latihan

1. Baca manual arahan dengan teliti. Biasakan dengan kawalan dan penggunaan penghembus yang betul.
2. Jangan sekali-kali benarkan kanak-kanak, orang kurang keupayaan fizikal, deria atau mental atau kurang pengalaman dan pengetahuan atau orang yang tidak biasa dengan arahan ini untuk menggunakan penghembus tersebut. Peraturan keselamatan setempat boleh mengehendkan umur pengendali.
3. Jangan sekali-kali kendalikan penghembus ketika orang, terutamanya kanak-kanak atau haiwan peliharaan berdekatan.
4. Ingat bahawa pengendali atau pengguna bertanggungjawab ke atas sebarang kemalangan atau bahaya yang berlaku kepada orang lain atau harta benda mereka.

Penyediaan

1. Sentiasa memakai kasut yang sepadan dan seluar panjang semasa mengendalikan penghembus.
2. Jangan pakai pakaian yang longgar atau barang kemas yang boleh ditarik ke dalam salur masuk udara. Jauhkan rambut yang panjang dari salur masuk udara.
3. Sentiasa pakai kaca mata pelindung untuk melindungi mata anda daripada kecederaan apabila menggunakan alat kuasa. Kaca mata mestilah mematuhi ANSI Z87.1 di AS, EN 166 di Eropah, atau AS/NZS 1336 di Australia/New Zealand. Di Australia/New Zealand, undang-undang mengarahkan untuk memakai pelindung muka bagi melindungi muka anda, juga.



Menjadi tanggungjawab majikan untuk menguatkuasa penggunaan peralatan perlindungan keselamatan yang bersesuaian oleh pengendali alat dan oleh orang lain dalam kawasan bekerja semasa.

4. Untuk mencegah kerengsaan habuk, pemakaian topeng muka adalah disyorkan.
5. Semasa mengendalikn mesin, sentiasa pakai kasut tidak tergelincir dan perlindungan. But dan kasut tidak gelincir, jari kaki tertutup akan mengurangkan risiko kecederaan.

Operasi

1. Matikan penghembus dan tanggalkan kartrij bateri dan pastikan semua bahagian yang bergerak telah berhenti sepenuhnya
 - pada bila-bila masa anda meninggalkan penghembus.
 - sebelum membersihkan sumbatan.
 - sebelum memeriksa, membersihkan atau bekerja dengan penghembus.
 - jika penghembus mula bergetar secara tidak normal.
2. Kendalikan penghembus hanya pada siang hari atau dalam cahaya buatan yang baik.
3. Jangan terlebih jangkau dan kekalkan tapak dan keseimbangan yang betul sepanjang masa.
4. Sentiasa pastikan pijakan anda pada cerun.
5. Berjalan, jangan sekali-kali berlari.
6. Pastikan semua salur masuk udara sejuk bebas daripada serpihan.
7. Jangan sekali-kali menghembus puing ke arah orang sekeliling.
8. Kendalikan penghembus dalam kedudukan yang disyorkan dan pada permukaan yang kukuh.
9. Jangan kendalikan penghembus di tempat tinggi.
10. Jangan sekali-kali menghalakan muncung pada sesiapa sahaja di sekitar apabila menggunakan penghembus.
11. Jangan sekali-kali menyekat salur masuk sedutan dan/atau salur keluar penghembus.
 - Berhati-hati supaya tidak menyekat salur masuk sedutan atau salur keluar penghembus dengan habuk atau kotoran semasa beroperasi di kawasan yang berdebu.
 - Jangan gunakan muncung selain daripada muncung yang disediakan oleh Makita.
 - Jangan gunakan penghembus untuk mengemburkan bola, bot getah atau yang serupa.
12. Jangan gunakan penghembus berhampiran tingkap terbuka, dll.
13. Pengendalian penghembus hanya pada waktu yang munasabah adalah disyorkan - tidak pada awal pagi atau larut malam apabila orang mungkin terganggu.
14. Menggunakan pencakar dan penyapu untuk mengemburkan puing sebelum dihembus adalah disyorkan.

15. Disyorkan untuk menggunakan muncung panjang supaya aliran udara bekerja hampir dengan tanah.
 16. Jika penghembus terkena mana-mana objek asing atau mula mengeluarkan bunyi atau getaran yang luar biasa, segera matikan penghembus untuk menghentikannya. Tanggalkan kartrij bateri dari penghembus dan periksa penghembus untuk kerosakan sebelum memulakan semula dan mengendalikan penghembus. Jika penghembus rosak, tanya Pusat Servis Makita yang Diiktiraf untuk pembaikan.
 17. Jangan masukkan jari atau benda lain ke dalam salur masuk sedutan atau salur keluar penghembus.
 18. Elakkan permulaan yang tidak disengajakan. Pastikan suis pada kedudukan tertutup sebelum memasukkan kartrij bateri, mengangkat atau membawa penghembus. Membawa penghembus dengan jari anda pada suis atau mentenagakan penghembus dengan suis pada kedudukan hidup mengundang kemalangan.
 19. Jangan sekali-kali menghembus bahan berbahaya, seperti paku, serpihan kaca, atau bilah.
 20. Jangan kendalikan penghembus berhampiran bahan mudah terbakar.
 21. Elakkan pengendalian penghembus untuk masa yang lama dalam persekitaran suhu rendah.
 22. Jangan gunakan mesin apabila terdapat risiko kilat.
 23. Apabila anda menggunakan mesin di tanah berlumpur, cerun basah, atau tempat yang licin, beri perhatian kepada kedudukan anda.
 24. Jangan gunakan mesin dalam cuaca buruk di mana penglihatan yang terhad. Kegagalan berbuat demikian boleh menyebabkan pengendalian jatuh atau tidak betul kerana jarak penglihatan yang rendah.
 25. Jangan menenggelamkan mesin ke dalam lopak.
 26. Jangan biarkan mesin di luar rumah tanpa pengawasan di dalam hujan.
 27. Jangan gunakan mesin dalam salji.
 28. Semasa operasi, jauhkan kord dari halangan. Kord yang tersangkut pada halangan boleh menyebabkan kecederaan yang serius.
- Penyelenggaraan dan penyimpanan**
1. Pastikan semua nat, bolt dan skru ketat untuk memastikan penghembus dalam keadaan kerja yang selamat.
 2. Jika bahagian haus atau rosak, gantikannya dengan alat ganti yang disediakan oleh Makita.
 3. Simpan penghembus di tempat yang selamat yang jauh daripada jangkauan kanak-kanak.
4. Apabila anda menghentikan penghembus untuk pemeriksaan, servis, penyimpanan, atau menukar aksesori, matikan penghembus dan pastikan semua bahagian yang bergerak berhenti sepenuhnya, dan tanggalkan kartrij bateri. Sejujukkan penghembus sebelum membuat apa-apa kerja pada penghembus. Selenggara penghembus dengan berhati-hati dan pastikan ia bersih.
 5. Sentiasa sejujukkan penghembus sebelum menyimpan.
 6. Jangan dedahkan penghembus kepada hujan. Simpan penghembus di dalam bangunan.
 7. Apabila anda mengangkat penghembus, pastikan anda membengkokkan lutut anda dan berhati-hati supaya tidak mencederakan belakang anda.
 8. Apabila mencuci alat, jangan biarkan air memasuki mekanisme elektrik seperti bateri, motor, dan terminal.
 9. Apabila menyimpan mesin, elakkan cahaya matahari dan hujan secara langsung, dan simpan di tempat yang tidak panas atau lembap.
 10. Apabila membawa mesin, pastikan anda memegang mesin secara kukuh dengan memegang pemegang mesin.
 11. Apabila membawa mesin, berhati-hati supaya kord tidak tersangkut oleh halangan.
- Penggunaan dan penjagaan alat bateri**
1. **Cas semula dengan pengecas yang ditentukan oleh pengeluar sahaja.** Pengecas yang sesuai untuk satu jenis pek bateri mungkin menimbulkan risiko kebakaran apabila digunakan dengan pek bateri lain.
 2. **Gunakan alat kuasa dengan pek bateri yang ditentukan secara khusus sahaja.** Penggunaan mana-mana pek bateri lain mungkin menimbulkan risiko kecederaan dan kebakaran.
 3. **Apabila pek bateri tidak digunakan, jauhkannya daripada objek logam lain, seperti klip kertas, duit syiling, kunci, paku, skru atau objek logam kecil lain, yang boleh membuat sambungan dari satu terminal ke terminal yang lain.** Memintas terminal bateri bersama-sama mungkin menyebabkan lecuran atau kebakaran.
 4. **Dalam keadaan kasar, cecair mungkin dikeluarkan daripada bateri; elakkan sentuhan. Jika tersentuh secara tidak sengaja, siram dengan air. Jika cecair terkena mata, dapatkan bantuan perubatan di samping siraman air.** Cecair yang dikeluarkan dari bateri mungkin menyebabkan kegatalan atau luka kebakaran.
 5. **Jangan gunakan pek bateri atau alat yang rosak atau diubah suai.** Bateri yang rosak atau diubah suai mungkin menunjukkan tingkah laku yang tidak dijangka menyebabkan kebakaran, letupan atau risiko kecederaan.
 6. **Jangan dedahkan pek bateri atau alat kepada api atau suhu yang berlebihan.** Pendedahan kepada api atau suhu melebihi 130 °C mungkin menyebabkan letupan.

- Ikut semua arahan pengecasan dan jangan cas pek bateri atau alat di luar julat suhu yang ditetapkan dalam arahan. Mengecas dengan tidak betul atau pada suhu di luar julat yang ditetapkan mungkin merosakkan bateri dan meningkatkan risiko kebakaran.

Keselamatan elektrik dan bateri

- Jangan hapuskan bateri dengan membakarnya. Sel mungkin meletup. Periksa dengan kod tempatan untuk kemungkinan arahan pelupusan khas.
- Jangan buka atau merosakkan bateri. Elektrolit yang dibebaskan adalah menghakis dan boleh menyebabkan kerosakan kepada mata atau kulit. Ia mungkin toksik jika tertelan.
- Jangan cas bateri dalam hujan, atau di lokasi yang basah.
- Jangan cas bateri di luar.
- Jangan kendalikan pengecas, termasuk palam pengecas, dan terminal pengecas dengan tangan yang basah.
- Jangan ganti bateri dengan tangan basah.
- Jangan menggantikan bateri dalam hujan.
- Jangan basuh terminal bateri dengan cecair seperti air, atau menenggelamkan bateri. Jangan biarkan bateri yang dalam hujan, atau caj, penggunaan, atau simpan bateri di tempat yang lembap atau basah. Jika terminal basah atau cecair masuk ke dalam bateri, bateri boleh litar pintas terdapat risiko terlalu panas, terbakar, atau letupan.
- Selepas mengeluarkan bateri dari mesin atau pengecas, pastikan untuk menyimpan bateri di tempat yang kering.
- Jika kartrij bateri basah, buang air di dalamnya dan kemudian lap dengan kain kering. Keringkan kartrij bateri sepenuhnya di tempat kering sebelum digunakan.

Servis

- Pastikan alat kuasa anda diservis oleh orang yang berkelayakan dengan hanya menggunakan alat ganti yang sama. Ini akan memastikan keselamatan alat kuasa dapat dikekalkan.
- Jangan sekali-kali melakukan servis pada pek bateri yang telah rosak. Servis pek bateri hanya boleh dilakukan oleh pengeluar atau penyedia servis yang sah.

SIMPAN ARAHAN INI.

⚠️ AMARAN: JANGAN biarkan keselesaan atau kebiasaan dengan produk (daripada penggunaan berulang) menggantikan pematuhan ketat terhadap peraturan keselamatan untuk produk yang ditetapkan.

SALAH GUNA atau kegagalan mematuhi peraturan-peraturan keselamatan yang dinyatakan dalam manual arahan ini boleh menyebabkan kecederaan diri yang serius.

Arahan keselamatan penting untuk kartrij bateri

- Sebelum menggunakan kartrij bateri, baca semua arahan dan tanda amaran pada (1) pengecas bateri, (2) bateri, dan (3) produk menggunakan bateri.
- Jangan buka atau cabut kartrij bateri. Ia boleh mengakibatkan kebakaran, haba berlebihan, atau letupan.
- Jika masa operasi menjadi sangat pendek, berhenti operasi serta merta. Ia mungkin menyebabkan risiko pemanasan lampau, melecur bahkan letupan.
- Jika elektrolit masuk ke dalam mata anda, bilas mata dengan air jernih dan dapatkan rawatan perubatan serta merta. Ia mungkin menyebabkan kehilangan penglihatan.
- Jangan pintaskan kartrij bateri:
 - Jangan sentuh terminal dengan bahan berkonduksi.
 - Elakkan menyimpan kartrij bateri dalam bekas bersama-sama objek besi lain seperti paku, duit syiling, dll.
 - Jangan dedahkan kartrij bateri kepada air atau hujan.Pintaskan bateri boleh menyebabkan aliran kuasa yang besar, pemanasan lampau, melecur dan juga kerosakan.
- Jangan simpan dan gunakan alat dan kartrij bateri di lokasi yang suhunya mungkin mencapai atau melebihi 50 °C (122 °F).
- Jangan bakar kartrij bateri walaupun jika ia rosak teruk atau haus sepenuhnya. Kartrij bateri boleh meletup dalam kebakaran.
- Jangan paku, potong, pecahkan, buang, jatuhkan kartrij bateri, atau tekan objek keras pada kartrij bateri. Perbuatan sedemikian boleh mengakibatkan kebakaran, haba berlebihan, atau letupan.
- Jangan gunakan bateri yang rosak.
- Bateri litium ion yang terkandung adalah tertakluk kepada keperluan Perundangan Barangan Berbahaya. Bagi pengangkutan komersil cth. oleh pihak ketiga, ejen penghantar, keperluan khas pada pembungkusan dan pelabelan mestilah diperhatikan. Bagi persediaan item yang dihantar, berunding dengan pakar bahan berbahaya adalah diperlukan. Sila juga perhatikan sebolehnya peraturan kebangsaan yang lebih terperinci. Lekatkan atau balut bahagian terbuka dan pek bateri supaya ia tidak bergerak dalam pembungkusan.
- Apabila melupuskan kartrij bateri, keluarkan ia daripada alat dan lupuskan ia di tempat selamat. Ikut peraturan tempatan anda mengenai pelupusan bateri.
- Gunakan bateri hanya dengan produk yang ditentukan oleh Makita. Memasang bateri kepada produk yang tidak patuh mungkin menyebabkan kebakaran, pemanasan lampau, atau kebocoran elektrolit.

13. Jika alat tidak digunakan untuk tempoh masa yang lama, bateri mesti dikeluarkan daripada alat.
14. Semasa dan selepas penggunaan, kartrij bateri mungkin ada haba yang boleh menyebabkan terbakar atau suhu rendah terbakar. Beri perhatian kepada pengendalian kartrij bateri yang panas.
15. Jangan sentuh terminal alat itu selepas digunakan kerana ia mungkin panas menyebabkan terbakar.
16. Jangan biarkan cip, habuk, atau tanah terperangkap ke dalam terminal, lubang, dan alur cahaya kartrij bateri. Ia mungkin menyebabkan pemanasan, terbakar, meletup dan pincang tugas alat atau kartrij bateri, seterusnya menyebabkan lecur atau kecederaan diri.
17. Melainkan alat ini menyokong penggunaan yang hampir dari talian kuasa elektrik voltan tinggi, jangan gunakan kartrij bateri berhampiran talian kuasa elektrik voltan tinggi. Ia mungkin menyebabkan kerosakan atau pecah pada alat atau kartrij bateri.
18. Jauhkan bateri daripada kanak-kanak.

SIMPAN ARAHAN INI.

⚠PERHATIAN: Hanya gunakan bateri asli Makita. Penggunaan bateri tidak asli Makita, atau bateri yang telah diubah suai, mungkin menyebabkan bateri meletup menyebabkan kebakaran, kecederaan diri dan kerosakan. Ia juga membatalkan jaminan Makita untuk alat Makita dan pengecas.

Tip untuk mengekalkan hayat bateri maksimum

1. Cas kartrij bateri sebelum ternyahcas sepenuhnya. Sentiasa hentikan operasi alat dan cas kartrij bateri apabila anda menyedari kurang kuasa alat.
2. Jangan cas semula kartrij bateri yang dicas sepenuhnya. Terlebih cas memendekkan hayat servis bateri.
3. Cas kartrij bateri dengan suhu bilik pada 10 °C - 40 °C (50 °F - 104 °F). Biarkan kartrij bateri yang panas menyejuk sebelum mengecasnya.
4. Apabila tidak menggunakan kartrij bateri, tanggalkannya dari alat atau pengecas.
5. Cas kartrij bateri jika anda tidak menggunakannya untuk tempoh yang lama (lebih daripada enam bulan).

PEMASANGAN

⚠PERHATIAN: Sentiasa pastikan mesin dimatikan dan kartrij bateri ditanggalkan sebelum menjalankan sebarang kerja pada mesin.

Memasang paip penghembus

1. Longgarkan skru pengapit.
 - **Rajah1:** 1. Skru pengapit
2. Pasang pemegang kawalan pada paip pemutar ayun dan ketatkan skru pengapit.
 - **Rajah2:** 1. Pemegang kawalan 2. Paip pemutar ayun 3. Skru pengapit

NOTIS: Berhati-hati agar tidak memutar kabel pemegang kawalan apabila memasang pemegang kawalan pada paip pemutar ayun.

3. Longgarkan skru pada pengapit hos dan kemudian pasang pengapit hos pada paip fleksibel. Pasangkan paip pemutar ayun pada paip fleksibel dan kemudian ketatkan skru pada pengapit hos.
 - **Rajah3:** 1. Paip pemutar ayun 2. Pengapit hos 3. Paip fleksibel
4. Longgarkan skru pada pengapit hos dan kemudian pasang pengapit hos pada paip fleksibel. Pasangkan paip pemutar ayun pada siku dan kemudian ketatkan skru pada pengapit hos.
 - **Rajah4:** 1. Paip fleksibel 2. Pengapit hos 3. Siku

NOTIS: Pastikan skru pada pengapit hos menghadap ke arah yang ditunjukkan dalam rajah.

- **Rajah5:** 1. Skru
5. Mengapit kabel kawalan pada pemegang kabel.
 - **Rajah6:** 1. Pemegang kabel 2. Kabel kawalan

NOTIS: Pastikan kabel kawalan dipasang dengan kukuh pada pemegang kabel.

Memasang muncung hujung

- Jajarkan tanda segi tiga pada muncung hujung dengan tanda paip pemutar ayun, kemudian pasang muncung hujung ke paip pemutar ayun dan pusing muncung hujung untuk mengunci ke tempatnya.
- **Rajah7:** 1. Tanda segi tiga 2. Muncung hujung 3. Paip pemutar ayun

Untuk menanggalkan muncung hujung, lakukan prosedur pemasangan secara terbalik.

NOTA: Panjang muncung boleh ditukar dengan menggerakkan muncung seperti yang ditunjukkan dalam rajah.

- **Rajah8:** 1. Muncung hujung 2. Paip pemutar ayun

Memasang muncung leper dan muncung pemanjangan

Aksesori pilihan

NOTA: Jika muncung hujung dipasang, tanggalkan muncung hujung sebelum memasang paip penyesuai.

1. Jajarkan tanda segi tiga pada paip penyesuai dengan tanda paip pemutar ayun, kemudian pasang paip penyesuai ke paip pemutar ayun, dan kemudian pusingkannya untuk mengunci ke tempatnya.

► **Rajah9:** 1. Tanda segi tiga 2. Paip penyesuai 3. Paip pemutar ayun

2. Jajarkan tanda segi tiga pada muncung leper atau muncung pemanjangan dengan tonjolan pada paip penyesuai, kemudian pasang muncung leper atau muncung pemanjangan ke paip penyesuai dan kemudian pusingkannya untuk mengunci ke tempatnya.

► **Rajah10:** 1. Muncung leper 2. Muncung pemanjangan 3. Paip penyesuai 4. Tanda segi tiga

Untuk menanggalkan paip penyesuai, muncung leper atau muncung pemanjangan, ikut prosedur pemasangan secara terbalik.

Melaraskan tali sawat dan abah-abah bahu

1. Letakkan mesin, kemudian kunci kancing tali pinggang dan kemudian, laraskan panjang tali pinggang.

► **Rajah11:** 1. Kancing

2. Laraskan panjang abah-abah bahu.

► **Rajah12:** 1. Abah-abah bahu

Melaraskan kedudukan tuil kawalan

Longgarkan skru pengapit. Ubah pemegang kawalan di sepanjang paip pemutar ayun ke kedudukan yang paling selesa dan kemudian ketatkan skru pengapit.

► **Rajah13:** 1. Pemegang kawalan 2. Paip pemutar ayun 3. Skru pengapit

KETERANGAN FUNGSI

⚠PERHATIAN: Sentiasa pastikan mesin dimatikan dan kartrij bateri ditanggalkan sebelum menyelaraskan atau memeriksa fungsi pada mesin.

Memasang atau menanggalkan pek kuasa mudah alih

⚠PERHATIAN: Sentiasa matikan mesin sebelum memasang atau menanggalkan pek kuasa mudah alih.

⚠PERHATIAN: Pegang mesin dan pek kuasa mudah alih dengan kukuh semasa memasang atau menanggalkan pek kuasa mudah alih.

Kegagalan untuk memegang mesin dan pek kuasa mudah alih dengan kukuh boleh menyebabkan ia terlepas daripada tangan anda dan mengakibatkan kerosakan kepada mesin dan pek kuasa mudah alih serta kecederaan diri.

⚠PERHATIAN: Pastikan pek kuasa mudah alih dipasang dengan kukuh pada mesin. Jika tidak, ia mungkin terjatuh daripada mesin, menyebabkan kecederaan kepada anda atau seseorang di sekeliling anda.

⚠PERHATIAN: Sebelum operasi, pastikan kord dipasang dengan kukuh pada pemegang kord dan soket dimasukkan ke dalam palam sepenuhnya.

1. Tarik keluar kord ke arah seperti yang ditunjukkan di dalam rajah. Semasa menarik keluar kord, pastikan anda meletakkan kord dalam pemegang seperti yang ditunjukkan dalam rajah.

► **Rajah14:** 1. Kord 2. Pemegang

2. Pasangkan pek kuasa mudah alih pada mesin seperti yang ditunjukkan dalam rajah.

► **Rajah15:** 1. Pek kuasa mudah alih

⚠PERHATIAN: Berhati-hati agar tidak memicit jari atau ibu jari anda di antara pek kuasa mudah alih dan mesin apabila memasang pek kuasa mudah alih.

⚠PERHATIAN: Pastikan pek kuasa mudah alih dipasang dengan kukuh pada mesin. Jika tidak, pek kuasa mudah alih mungkin terjatuh apabila anda memakai mesin atau menggunakan mesin tersebut dan menyebabkan kecederaan. Jika anda boleh melihat penunjuk merah seperti yang ditunjukkan dalam rajah, pek kuasa mudah alih tidak dikunci sepenuhnya.

► **Rajah16:** 1. Penunjuk merah

⚠PERHATIAN: Apabila menanggalkan pek kuasa mudah alih, tekan butang kunci sambil memegang pemegang dengan kukuh.

► **Rajah17:** 1. Pemegang 2. Butang kunci

3. Pasang kord pada pemegang kord seperti yang ditunjukkan dalam rajah.

► **Rajah18:** 1. Pemegang kord 2. Kord

4. Buka penutup palam, kemudian selaraskan tanda anak panah pada soket dengan anak panah pada mesin dan kemudian masukkan soket ke dalam palam sepenuhnya.

► **Rajah19:** 1. Penutup palam 2. Soket

NOTIS: Jangan masukkan soket dengan cara paksa. Jika soket tidak boleh dimasukkan dengan mudah, ia tidak dimasukkan dengan betul.

NOTIS: Semasa menyahsambungkan soket daripada palam, jangan pegang kord tetapi pegang soket. Jika tidak, kord mungkin rosak dan menyebabkan kerosakan mesin.

Untuk menanggalkan pek kuasa mudah alih, ikut prosedur pemasangan secara terbalik.

Menunjukkan kapasiti bateri yang tinggal

► **Rajah20:** 1. Penunjuk bateri 2. Butang semak

Tekan butang semak untuk menunjukkan kapasiti bateri yang tinggal.

Status penunjuk bateri			Kapasiti bateri yang tinggal
Hidup	Mati	Berkelip	
			50% hingga 100%
			20% hingga 50%
			0% hingga 20%

NOTA: Lampu penunjuk untuk kapasiti bateri yang tinggal adalah hanya untuk rujukan. Kapasiti bateri sebenar mungkin berbeza bergantung kepada keadaan penggunaan atau suhu persekitaran.

NOTA: Semasa mesin beroperasi, lampu penunjuk tidak menyala walaupun anda menekan butang semak.

NOTA: Lampu mati secara automatik selepas beberapa saat.

Sistem perlindungan mesin/bateri

Mesin dilengkapi dengan sistem perlindungan mesin/ bateri. Sistem ini memotong kuasa kepada motor secara automatik untuk memanjangkan hayat mesin dan bateri. Mesin akan berhenti secara automatik ketika operasi jika mesin atau bateri berada di bawah salah satu keadaan yang berikut:

Perlindungan lebih beban

Apabila bateri telah dikendalikan mengikut cara yang menyebabkan ia menarik semasa arus luar biasa tinggi, mesin berhenti secara automatik dan lampu kuasa utama berkelip dengan warna hijau. Dalam situasi ini, matikan mesin dan hentikan penggunaan yang menyebabkan mesin menjadi terlebih beban. Kemudian hidupkan mesin untuk mula semula.

NOTA: Lampu kuasa utama juga berkelip warna hijau dan mesin berhenti secara automatik jika mesin dikendalikan untuk jangka masa yang lama secara berterusan. Dalam kes ini, lepaskan pemacu suis dan kembalikan tuis kawalan sepenuhnya, kemudian tarik pemacu suis sekali lagi untuk memulakan semula mesin.

Perlindungan pemanasan lampau

Apabila mesin atau bateri terlalu panas, mesin berhenti secara automatik dan lampu kuasa utama menyala merah. Dalam situasi ini, biarkan mesin dan bateri sejuk sebelum hidupkan mesin semula.

NOTA: Lampu kuasa utama berkelip merah apabila bateri terlampau panas.

Perlindungan lebih nyahcas

Apabila kapasiti bateri tidak mencukupi, mesin berhenti secara automatik dan lampu kuasa utama berkedip merah. Dalam kes ini, tanggalkan bateri dari mesin dan cas bateri atau tukar bateri kepada yang telah dicas sepenuhnya.

Perlindungan terhadap punca lain

Sistem perlindungan juga direka bentuk untuk punca lain yang boleh merosakkan mesin dan membolehkan mesin berhenti secara automatik. Ambil semua langkah yang berikut untuk membuang punca, apabila mesin telah dibawa kepada berhenti sementara atau berhenti beroperasi.

1. Matikan mesin dan kemudian hidupkan peralatan lagi untuk mula semula.
2. Cas bateri atau gantikan bateri dengan bateri yang telah dicas.
3. Biarkan mesin dan bateri menyejuk.

Jika tiada penambahbaikan boleh didapati melalui pemulihan sistem perlindungan, maka hubungi Pusat Servis Makita tempatan anda.

NOTIS: Jika mesin berhenti kerana sebab yang tidak diterangkan di atas, rujuk bahagian penyelesaian masalah.

Suis kuasa utama

⚠️ AMARAN: Sentiasa matikan suis kuasa utama apabila tidak digunakan.

Untuk menghidupkan mesin, tekan suis kuasa utama. Untuk mematikan alat, tekan suis kuasa utama sekali lagi.

► **Rajah21:** 1. Lampu kuasa utama 2. Suis kuasa utama

NOTA: Mesin ini menggunakan fungsi kuasa padam secara automatik. Untuk mengelakkan permulaan yang tidak disengajakan, suis kuasa utama akan dimatikan secara automatik apabila mesin tidak dikendalikan untuk tempoh tertentu selepas suis kuasa utama dihidupkan.

NOTA: Jika lampu kuasa utama menyala merah atau berkelip merah atau hijau, rujuk kepada arahan untuk sistem perlindungan mesin/bateri.

Tindakan suis

⚠️ AMARAN: Sebelum memasang pek kuasa mudah alih ke mesin, sentiasa periksa untuk melihat pemacu suis bergerak dengan betul dan kembali ke posisi "OFF" apabila dilepaskan.

Untuk memulakan mesin, hanya tarik pemacu suis. Kelajuan ditingkatkan dengan menambah tekanan pada pemacu suis. Lepaskan pemacu suis untuk berhenti.

► **Rajah22:** 1. Pemacu suis

Fungsi pengawal luncur

Fungsi pengawal luncur membolehkan pengendali mengekalkan kelajuan malar tanpa menarik pemacu. Untuk menambahkan kelajuan, putar tuil kawalan ke hadapan. Untuk mengurangkan kelajuan, putar tuil kawalan ke belakang.

► **Rajah23:** 1. Tuil kawalan

Fungsi elektronik

Mesin ini dilengkapi dengan fungsi elektronik untuk operasi mudah.

- Kawalan kelajuan malar
Fungsi kawalan kelajuan memberikan kelajuan putaran malar tanpa mengira keadaan beban.

Fungsi pencegahan mula semula secara tidak sengaja

Apabila anda menghidupkan mesin sambil menarik pemacu suis, mesin tidak dihidupkan dan lampu kuasa utama berkelip hijau. Untuk memulakan mesin, lepaskan pemacu suis terlebih dahulu dan kembalikan tuil kawalan sepenuhnya dan kemudian hidupkan mesin.

OPERASI

⚠️ PERHATIAN: Apabila memakai mesin, pastikan anda meletakkan abah-abah bahu di kedua-dua bahu anda. Jika tidak, mesin mungkin terjatuh apabila anda memakai atau menggunakan mesin tersebut dan menyebabkan kecederaan.

⚠️ PERHATIAN: Apabila memakai mesin, pastikan anda meletakkan mesin di belakang anda. Jika tidak, mesin mungkin terjatuh dan menyebabkan kecederaan.

⚠️ PERHATIAN: Jangan letakkan mesin di atas tanah semasa ia berjalan. Pasir atau habuk boleh masuk dari salur masuk sedutan dan menyebabkan pincang tugas atau kecederaan diri.

1. Tekan butang kuasa pada pek kuasa mudah alih. Lampu kuasa utama akan menyala.
► **Rajah24:** 1. Butang kuasa 2. Lampu kuasa utama
2. Pakai abah-abah bahu mesin dan kunci kancing pada tali pinggang.
3. Tekan suis kuasa utama untuk menghidupkan mesin.

Mesin sedia untuk dikendalikan. Mesin akan bergerak apabila anda menarik pemacu suis.

► **Rajah25:** 1. Suis kuasa utama

Pegang pemegang kawalan dengan kukuh dan lakukan operasi menghembus dengan menggerakkannya di sekitar dengan perlahan-lahan. Apabila menghembus di sekeliling bangunan, batu besar atau kenderaan, arahkan muncung jauh daripadanya. Apabila melakukan operasi di sudut, mulakan dari sudut dan kemudian bergerak ke kawasan luas.

► **Rajah26**

Apabila meletakkan mesin, buka kunci tali pinggang dan kemudian, turunkan mesin dengan perlahan-lahan.

► **Rajah27:** 1. Kancing

PENYELENGGARAAN

⚠️ PERHATIAN: Sentiasa pastikan mesin dimatikan dan kartrij bateri dikeluarkan sebelum cuba menjalankan pemeriksaan atau penyelenggaraan.

Untuk mengekalkan KESELAMATAN dan KEBOLEHPERCAYAAN produk, pembaikan, apa-apa penyelenggaraan atau penyesuaian lain perlu dilakukan oleh Kilang atau Pusat Servis Makita yang Diiktiraf, sentiasa gunakan alat ganti Makita.

Membersihkan mesin

NOTIS: Jangan gunakan petrol, benzin, pencair, alkohol atau bahan yang serupa. Ia boleh menyebabkan perubahan warna, bentuk atau keretakan.

Bersihkan mesin dengan menyapu habuk dengan kain kering atau kain yang dicelup dalam air sabun dan diperah.

Tanggalkan habuk atau kotoran dari salur masuk sedutan.

► **Rajah28:** 1. Salur masuk sedutan

Penyimpanan

NOTIS: Pastikan tutup penutup palam sebelum penyimpanan. Jika penutup palam dibuka atau tidak ditutup sepenuhnya, habuk boleh masuk ke dalam mesin dan menyebabkan mesin tidak berfungsi.

Sebelum menyimpan mesin, keluarkan soket daripada palam dan lakukan penyelenggaraan penuh. Simpan mesin di tempat yang jauh dari jangkauan kanak-kanak dan tidak terdedah kepada kelembapan, hujan atau sinaran matahari langsung.

Anda boleh menyambungkan jalur paip ke mesin seperti yang ditunjukkan dalam rajah untuk menegakkan paip.

► **Rajah29:** 1. Soket 2. Penutup palam 3. Tali

PENYELESAIAN MASALAH

Sebelum meminta pembaikan, jalankan pemeriksaan sendiri terlebih dahulu. Jika anda mendapati masalah tidak diterangkan dalam manual, jangan cuba untuk menanggalkan mesin. Sebaliknya, tanya Pusat Servis Sah Makita, sentiasa gunakan alat ganti Makita untuk pembaikan.

Kedaaan keabnormalan	Sebab yang mungkin (pincang tugas)	Remedi
Motor tidak berjalan.	Bateri tidak dipasang.	Pasang bateri.
	Masalah bateri (voltan rendah)	Cas semula bateri. Jika mengecap tidak berkesan, gantikan bateri.
	Sistem pacuan tidak berfungsi dengan betul.	Tanya pusat servis sah tempatan anda untuk pembaikan.
Motor berhenti berfungsi selepas digunakan seketika.	Tahap bateri terlalu rendah.	Cas semula bateri. Jika mengecap tidak berkesan, gantikan bateri.
	Pemanasan melampau.	Berhenti menggunakan mesin untuk membenarkan ia sejuk.
Mesin tidak mencapai kelajuan maksimum.	Bateri tidak dipasang dengan betul.	Pasang bateri seperti yang diterangkan dalam manual ini.
	Kuasa bateri berkurangan.	Cas semula bateri. Jika mengecap tidak berkesan, gantikan bateri.
	Sistem pacuan tidak berfungsi dengan betul.	Tanya pusat servis sah tempatan anda untuk pembaikan.
Getaran tidak normal: ⇒ hentikan mesin serta-merta!	Sistem pacuan tidak berfungsi dengan betul.	Tanya pusat servis sah tempatan anda untuk pembaikan.
Motor tidak boleh berhenti: ⇒ Keluarkan bateri serta-merta!	Pincang tugas elektrik atau elektronik.	Keluarkan bateri dan tanya pusat servis sah setempat anda untuk pembaikan.

AKSESORI PILIHAN

▲PERHATIAN: Aksesori atau lampiran ini adalah disyorkan untuk digunakan dengan produk Makita anda yang dinyatakan dalam manual ini. Penggunaan mana-mana aksesori-aksesori atau lampiran-lampiran lain mungkin mengakibatkan risiko kecederaan kepada individu. Hanya gunakan aksesori atau lampiran untuk tujuan yang dinyatakannya.

Jika anda memerlukan sebarang bantuan untuk maklumat lebih lanjut mengenai aksesori ini, tanya Pusat Perkhidmatan Makita tempatan anda.

- Muncung pemanjangan

- Muncung leper
- Paip penyesuai
- Bateri dan pengecas asli Makita

NOTA: Beberapa item dalam senarai mungkin disertakan dalam pakej produk sebagai aksesori standard. Item mungkin berbeza mengikut negara.

THÔNG SỐ KỸ THUẬT

Kiểu máy:		UB002C
Công suất	Lượng không khí	0 - 19,0 m ³ /min
	Tốc độ gió (trung bình)	0 - 60,0 m/s
	Tốc độ gió (tối đa)	0 - 71,7 m/s
Kích thước (D x R x C) (có đầu vòi phun)		1.368 mm x 694 mm x 715 mm
Điện áp định mức		D.C. 36 V - tối đa 40 V
Khối lượng tịnh		15,9 - 16,1 kg
Cấp bảo vệ		IPX4

- Do chương trình nghiên cứu và phát triển liên tục của chúng tôi nên các thông số kỹ thuật trong đây có thể thay đổi mà không cần thông báo trước.
- Các thông số kỹ thuật có thể thay đổi tùy theo từng quốc gia.
- Khối lượng có thể khác nhau tùy thuộc vào (các) phụ kiện, bao gồm cả hộp pin. Tổ hợp nhẹ nhất và nặng nhất, theo Quy trình EPTA 01/2014, được trình bày trong bảng.




Bộ cấp nguồn di động đeo vai có thể sử dụng

PDC1200

⚠ CẢNH BÁO: Chỉ sử dụng bộ cấp nguồn di động đeo vai được liệt kê phía trên. Việc sử dụng bất cứ bộ cấp nguồn di động đeo vai nào khác có thể gây ra thương tích và/hoặc hỏa hoạn.

Ký hiệu

Phần dưới đây cho biết các ký hiệu có thể được dùng cho thiết bị. Đảm bảo rằng bạn hiểu rõ ý nghĩa của các ký hiệu này trước khi sử dụng.

	Hãy cẩn thận và đặc biệt chú ý.
	Đọc tài liệu hướng dẫn.
	Giữ tay tránh xa các bộ phận quay.
	Tóc dài có thể gây ra sự cố quấn rối.
	Không để những người không phận sự lại gần.
	Mang thiết bị bảo vệ mắt và tai.
	Không được tiếp xúc với hơi ấm.



Chỉ dành cho các quốc gia EU

Do có các thành phần nguy hiểm bên trong thiết bị điện và điện tử, ắc quy và pin thải bỏ nên có thể có tác động không tốt đến môi trường và sức khỏe con người.

Không vứt bỏ các thiết bị điện và điện tử hoặc pin với rác thải sinh hoạt!

Theo Chỉ thị của Châu Âu về thiết bị điện và điện tử thải bỏ và về pin và ắc quy và pin và ắc quy thải bỏ, cũng như sự thích ứng của chúng với luật pháp quốc gia, các thiết bị điện, pin và ắc quy thải phải được cất giữ riêng biệt và chuyển đến một điểm thu gom rác thải đô thị riêng, hoạt động theo các quy định về bảo vệ môi trường. Điều này được biểu thị bằng biểu tượng thùng rác có bánh xe gạch chéo được đặt trên thiết bị.



Mức công suất âm thanh được đảm bảo theo Chỉ thị về tiếng ồn ngoài trời của EU.



Mức công suất âm thanh theo Quy định kiểm soát tiếng ồn NSW của Úc

Mục đích sử dụng

Máy này được dùng để thổi bụi.

Về tài liệu hướng dẫn này

Thuật ngữ "pin", "hộp pin" hoặc "bộ pin" trong tài liệu hướng dẫn này là nói đến "bộ cấp nguồn di động đeo vai".

CẢNH BÁO AN TOÀN

Cảnh báo an toàn chung dành cho dụng cụ máy

⚠CẢNH BÁO: Xin đọc tất cả các cảnh báo an toàn, hướng dẫn, minh họa và thông số kỹ thuật đi kèm với dụng cụ máy này. Việc không tuân theo các hướng dẫn được liệt kê dưới đây có thể dẫn đến điện giật, hỏa hoạn và/hoặc thương tích nghiêm trọng.

Lưu giữ tất cả cảnh báo và hướng dẫn để tham khảo sau này.

Thuật ngữ “dụng cụ máy” trong các cảnh báo đề cập đến dụng cụ máy (có dây) được vận hành bằng nguồn điện chính hoặc dụng cụ máy (không dây) được vận hành bằng pin của bạn.

An toàn tại nơi làm việc

- Giữ nơi làm việc sạch sẽ và có đủ ánh sáng.** Nơi làm việc bừa bộn hoặc tối thường dễ gây ra tai nạn.
- Không vận hành dụng cụ máy trong môi trường cháy nổ, ví dụ như môi trường có sự hiện diện của các chất lỏng, khí hoặc bụi dễ cháy.** Các dụng cụ máy tạo tia lửa điện có thể làm bụi hoặc khí bốc cháy.
- Giữ trẻ em và người ngoài tránh xa nơi làm việc khi đang vận hành dụng cụ máy.** Sự xao lãng có thể khiến bạn mất khả năng kiểm soát.

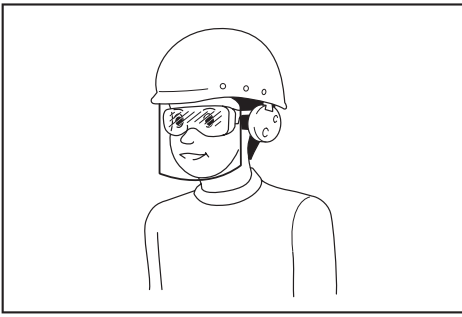
An toàn về Điện

- Phích cắm của dụng cụ máy phải khớp với ổ cắm.** Không được sửa đổi phích cắm theo bất kỳ cách nào. Không sử dụng bất kỳ phích chuyển đổi nào với các dụng cụ máy được nối đất (tiếp đất). Các phích cắm còn nguyên vẹn và ổ cắm phù hợp sẽ giảm nguy cơ điện giật.
- Tránh đề cơ thể tiếp xúc với các bề mặt nóng đất hoặc tiếp đất như đường ống, bộ tản nhiệt, bếp ga và tủ lạnh.** Nguy cơ bị điện giật sẽ tăng lên nếu cơ thể bạn được nối đất hoặc tiếp đất.
- Không để dụng cụ máy tiếp xúc với mưa hoặc trong điều kiện ẩm ướt.** Nước lọt vào dụng cụ máy sẽ làm tăng nguy cơ điện giật.
- Không lạm dụng dây điện.** Không được phép sử dụng dây để mang, kéo hoặc tháo phích cắm dụng cụ máy. Giữ dây tránh xa nguồn nhiệt, dầu, các mép sắc hoặc các bộ phận chuyển động. Dây bị hỏng hoặc bị rối sẽ làm tăng nguy cơ điện giật.
- Khi vận hành dụng cụ máy ngoài trời, hãy sử dụng dây kéo dài phù hợp cho việc sử dụng ngoài trời.** Việc dùng dây phù hợp cho việc sử dụng ngoài trời sẽ giảm nguy cơ điện giật.
- Nếu bắt buộc phải vận hành dụng cụ máy ở nơi ẩm ướt, hãy sử dụng nguồn cấp điện được bảo vệ bằng thiết bị ngắt dòng điện rò (RCD).** Việc sử dụng RCD sẽ làm giảm nguy cơ điện giật.

- Các dụng cụ máy có thể tạo ra từ trường điện (EMF) có hại cho người dùng.** Tuy nhiên, người dùng máy trợ tim và những thiết bị y tế tương tự khác nên liên hệ với nhà sản xuất thiết bị và/hoặc bác sỹ để được tư vấn trước khi vận hành dụng cụ này.

An toàn Cá nhân

- Luôn tỉnh táo, quan sát những việc bạn đang làm và sử dụng những phán đoán theo kinh nghiệm khi vận hành dụng cụ máy. Không sử dụng dụng cụ máy khi bạn đang mệt mỏi hoặc chịu ảnh hưởng của ma túy, rượu hay thuốc.** Chỉ một khoảnh khắc không tập trung khi đang vận hành dụng cụ máy cũng có thể dẫn đến thương tích cá nhân nghiêm trọng.
- Sử dụng thiết bị bảo hộ cá nhân. Luôn đeo thiết bị bảo vệ mắt.** Các thiết bị bảo hộ như mặt nạ chống bụi, giày an toàn chống trượt, mũ bảo hộ hay thiết bị bảo vệ thính giác được sử dụng trong các điều kiện thích hợp sẽ giúp giảm thương tích cá nhân.
- Tránh vô tình khởi động dụng cụ máy. Đảm bảo công tắc ở vị trí off (tắt) trước khi nối nguồn điện và/hoặc bộ pin, cầm hoặc di chuyển dụng cụ máy.** Giữ di chuyển dụng cụ máy khi đang đặt ngón tay ở vị trí công tắc hoặc cấp điện cho dụng cụ máy đang bật thường dễ gây ra tai nạn.
- Tháo tất cả các khóa hoặc cờ lê điều chỉnh trước khi bật dụng cụ máy.** Việc cờ lê hoặc khóa vẫn còn gắn vào bộ phận quay của dụng cụ máy có thể dẫn đến thương tích cá nhân.
- Không vớ quá cao. Luôn giữ thăng bằng tốt và có chỗ để chân phù hợp.** Điều này cho phép điều khiển dụng cụ máy tốt hơn trong những tình huống bất ngờ.
- Ăn mặc phù hợp. Không mặc quần áo rộng hay đeo đồ trang sức. Giữ tóc và quần áo tránh xa các bộ phận chuyển động.** Quần áo rộng, đồ trang sức hay tóc dài có thể mắc vào các bộ phận chuyển động.
- Nếu các thiết bị được cung cấp để kết nối các thiết bị thu gom và hút bụi, hãy đảm bảo chúng được kết nối và sử dụng hợp lý.** Việc sử dụng thiết bị thu gom bụi có thể làm giảm những mối nguy hiểm liên quan đến bụi.
- Không vì quen thuộc do thường xuyên sử dụng các dụng cụ mà cho phép bạn trở nên tự mãn và bỏ qua các nguyên tắc an toàn dụng cụ.** Một hành động bất cẩn có thể gây ra thương tích nghiêm trọng trong một phần của một giây.
- Luôn luôn mang kính bảo hộ để bảo vệ mắt khỏi bị thương khi đang sử dụng các dụng cụ máy. Kính bảo hộ phải tuân thủ ANSI Z87.1 ở Mỹ, EN 166 ở Châu Âu, hoặc AS/NZS 1336 ở Úc/New Zealand.** Tại Úc/New Zealand, theo luật pháp, bạn cũng phải mang mặt nạ che mặt để bảo vệ mặt.



Trách nhiệm của chủ lao động là bắt buộc người vận hành dụng cụ và những người khác trong khu vực làm việc cảnh đó phải sử dụng các thiết bị bảo hộ an toàn thích hợp.

Sử dụng và bảo quản dụng cụ máy

1. **Không dùng lực đối với dụng cụ máy. Sử dụng đúng dụng cụ máy cho công việc của bạn.** Sử dụng đúng dụng cụ máy sẽ giúp thực hiện công việc tốt hơn và an toàn hơn theo giá trị định mức được thiết kế của dụng cụ máy đó.
2. **Không sử dụng dụng cụ máy nếu công tắc không bật và tắt được dụng cụ máy đó.** Mọi dụng cụ máy không thể điều khiển được bằng công tắc đều rất nguy hiểm và phải được sửa chữa.
3. **Rút phích cắm ra khỏi nguồn điện và/hoặc tháo kết nối bộ pin khỏi dụng cụ máy, nếu có thể tháo rời trước khi thực hiện bất kỳ công việc điều chỉnh, thay đổi phụ tùng hay cất giữ dụng cụ máy nào.** Những biện pháp an toàn phòng ngừa này sẽ giảm nguy cơ vô tình khởi động dụng cụ máy.
4. **Cất giữ các dụng cụ máy không sử dụng ngoài tầm với của trẻ em và không cho bất kỳ người nào không có hiểu biết về dụng cụ máy hoặc các hướng dẫn này vận hành dụng cụ máy.** Dụng cụ máy sẽ rất nguy hiểm nếu được sử dụng bởi những người dùng chưa qua đào tạo.
5. **Bảo dưỡng dụng cụ máy và các phụ kiện.** Kiểm tra tình trạng lệch trục hoặc bó kẹt của các bộ phận chuyên động, hiện tượng nứt vỡ của các bộ phận và mọi tình trạng khác mà có thể ảnh hưởng đến hoạt động của dụng cụ máy. Nếu có hỏng hóc, hãy sửa chữa dụng cụ máy trước khi sử dụng. Nhiều tai nạn xảy ra là do không bảo quản tốt dụng cụ máy.
6. **Luôn giữ cho dụng cụ cất được sắc bén và sạch sẽ.** Những dụng cụ cất được bảo quản tốt có mép cắt sắc sẽ ít bị kẹt hơn và dễ điều khiển hơn.
7. **Sử dụng dụng cụ máy, phụ tùng và đầu dụng cụ cắt, v.v... theo các hướng dẫn này, có tính đến điều kiện làm việc và công việc được thực hiện.** Việc sử dụng dụng cụ máy cho các công việc khác với công việc dự định có thể gây nguy hiểm.
8. **Giữ tay cầm và bề mặt tay cầm khô, sạch, không dính dầu và mỡ.** Tay cầm trơn trượt và bề mặt tay cầm không cho phép xử lý an toàn và kiểm soát dụng cụ trong các tình huống bất ngờ.

9. **Khí sử dụng dụng cụ, không được đi gang tay lao động bằng vải, có thể bị vướng.** Việc gang tay lao động bằng vải vướng vào các bộ phận chuyên động có thể gây ra thương tích cá nhân.

Sử dụng và bảo quản dụng cụ dùng pin

1. **Chỉ sạc pin lại với bộ sạc do nhà sản xuất quy định.** Bộ sạc phù hợp với một loại bộ pin này có thể gây ra nguy cơ hỏa hoạn khi được dùng cho một bộ pin khác.
2. **Chỉ sử dụng các dụng cụ máy với các bộ pin được quy định cụ thể.** Việc sử dụng bất cứ bộ pin nào khác có thể gây ra thương tích và hỏa hoạn.
3. **Khí không sử dụng bộ pin, hãy giữ tránh xa các đồ vật khác bằng kim loại, chẳng hạn như kẹp giấy, tiền xu, chìa khóa, đinh, ốc vít hoặc các vật nhỏ bằng kim loại mà có thể làm nối tắt các đầu cực pin.** Các đầu cực pin bị đoản mạch có thể gây cháy hoặc hỏa hoạn.
4. **Trong điều kiện sử dụng quá mức, pin có thể bị cháy nước; hãy tránh tiếp xúc.** Nếu vô tình tiếp xúc với pin bị cháy nước, hãy rửa sạch bằng nước. Nếu dung dịch từ pin tiếp xúc với mắt, cần đi khám bác sĩ thêm. Dung dịch chảy ra từ pin có thể gây rát da hoặc bỏng.
5. **Không sử dụng bộ pin hoặc dụng cụ bị hư hỏng hoặc đã bị sửa đổi.** Pin đã bị hư hỏng hoặc đã bị sửa đổi có thể hành động theo cách không thể đoán trước dẫn đến cháy, nổ hoặc nguy cơ chấn thương.
6. **Không để bộ pin hoặc dụng cụ tiếp xúc với lửa hoặc nhiệt độ quá cao.** Tiếp xúc với lửa hoặc nhiệt độ trên 130 °C có thể gây ra cháy nổ.
7. **Làm theo tất cả các hướng dẫn sạc pin và không được sạc bộ pin hoặc dụng cụ vượt giới hạn nhiệt độ quy định trong hướng dẫn.** Sạc pin không đúng hoặc ở nhiệt độ vượt giới hạn nhiệt độ có thể gây hư hỏng cho pin và làm tăng nguy cơ cháy.

Bảo dưỡng

1. **Đề nhân viên sửa chữa đủ trình độ bảo dưỡng dụng cụ máy của bạn và chỉ sử dụng các bộ phận thay thế đồng nhất.** Việc này sẽ đảm bảo duy trì được độ an toàn của dụng cụ máy.
2. **Không bao giờ sử dụng bộ pin đã hỏng.** Dịch vụ bảo hành bộ pin chỉ nên thực hiện bởi nhà sản xuất hoặc các nhà cung cấp dịch vụ được ủy quyền.
3. **Tuân theo hướng dẫn dành cho việc bôi trơn và thay phụ tùng.**

Hướng Dẫn An Toàn Cho Máy Thổi Deo Vai Hoạt Động Bằng Pin

⚠ CẢNH BÁO: Đọc tất cả các cảnh báo an toàn và tất cả hướng dẫn. Việc không tuân theo các cảnh báo và hướng dẫn có thể dẫn đến điện giật, hỏa hoạn và/hoặc thương tích nghiêm trọng.

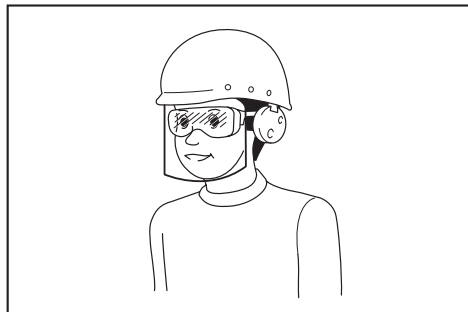
Lưu giữ tất cả cảnh báo và hướng dẫn để tham khảo sau này.

Hướng dẫn

1. Đọc hướng dẫn cẩn thận. Làm quen với việc điều khiển và cách sử dụng máy thổi chính xác.
2. Không bao giờ cho phép trẻ em, người suy giảm thể chất, giác quan hoặc khả năng trí tuệ hoặc thiếu kinh nghiệm và kiến thức hoặc những người không quen thuộc với các hướng dẫn này sử dụng máy thổi. Các quy định của địa phương có thể hạn chế độ tuổi của người vận hành.
3. Không bao giờ được vận hành máy thổi khi có người, đặc biệt là trẻ em hoặc thú cưng ở gần.
4. Hãy nhớ rằng người vận hành hoặc người sử dụng phải chịu trách nhiệm về tai nạn hoặc nguy hiểm xảy ra cho người khác hoặc tài sản của họ.

Chuẩn bị

1. Luôn mang giày chắc chắn và quần dài trong khi vận hành máy thổi.
2. Không được mặc quần áo rộng hoặc đeo trang sức lỏng lẻo chúng có thể bị hút vào đầu hút khí vào. Giữ tóc dài tránh xa đầu hút khí vào.
3. Luôn luôn mang kính bảo hộ để bảo vệ mắt khỏi bị thương khi đang sử dụng các dụng cụ máy. Kính bảo hộ phải tuân thủ ANSI Z87.1 ở Mỹ, EN 166 ở Châu Âu, hoặc AS/NZS 1336 ở Úc/New Zealand. Tại Úc/New Zealand, theo luật pháp, bạn cũng phải mang mặt nạ che mặt để bảo vệ mắt.



Trách nhiệm của chủ lao động là bắt buộc người vận hành dụng cụ và những người khác trong khu vực làm việc cạnh đó phải sử dụng các thiết bị bảo hộ an toàn thích hợp.

4. Khuyến khích đeo mặt nạ để tránh tình trạng kích ứng do bụi.

5. Khi vận hành máy luôn mang giày bảo hộ chống trượt. Mang giày và ủng bảo hộ mũi bít và chống trượt sẽ làm giảm nguy cơ chấn thương.

Vận hành

1. Tắt máy thổi, tháo hộp pin và đảm bảo các bộ phận chuyển động phải chuyển sang trạng thái dừng hoàn toàn
 - bất cứ khi nào bạn rời khỏi máy thổi.
 - trước khi làm thông chỗ tắc nghẽn.
 - trước khi kiểm tra, làm sạch hoặc làm việc trên máy thổi.
 - nếu máy thổi bắt đầu rung bất thường.
2. Chỉ vận hành máy thổi vào ban ngày hoặc trong điều kiện ánh sáng nhân tạo tốt.
3. Không vọt quá cao và luôn giữ thăng bằng tốt và có chỗ để chân phù hợp.
4. Luôn đảm bảo chỗ để chân trên mặt nghiêng.
5. Chỉ đi bộ, không được chạy.
6. Giữ cho tất cả ngõ hút khí làm mát vào không bị vướng mảnh vụn.
7. Không bao giờ thổi mảnh vụn về hướng của những người xung quanh.
8. Vận hành máy thổi ở vị trí được đề xuất và trên bề mặt vững chắc.
9. Không vận hành máy thổi ở nơi cao.
10. Không bao giờ được hướng vòi phun vào bất kỳ ai ở gần khi đang sử dụng máy thổi.
11. Không bao giờ được chặn ngõ vào đầu hút và/hoặc ngõ ra máy thổi.
 - Hãy cẩn thận không để bụi hoặc bụi bẩn chặn ngõ vào đầu hút hoặc ngõ ra máy thổi khi vận hành ở khu vực bụi bặm.
 - Không sử dụng vòi phun nào khác ngoài vòi phun được Makita cung cấp.
 - Không được dùng máy thổi để thổi phồng bóng, thuyền cao su hoặc những vật dụng tương tự.
12. Không được vận hành máy thổi gần cửa sổ đang mở, v.v...
13. Chỉ nên vận hành máy thổi trong những khung giờ hợp lý - không nên sử dụng vào những lúc sáng sớm hoặc quá khuya vì có thể làm phiền người khác.
14. Nên dùng dụng cụ cào và chổi để làm rời các mảnh vụn ra trước khi thổi.
15. Nên sử dụng vòi dài để luồng khí có thể hoạt động sát mặt đất.
16. Nếu máy thổi bị va đập với bất kỳ ngoại vật nào hoặc bắt đầu có những âm thanh hay rung chấn bất thường, phải ngay lập tức tắt máy thổi để dừng hoạt động. Tháo hộp pin ra khỏi máy thổi và kiểm tra xem máy thổi có bị hư hỏng hay không trước khi khởi động lại và vận hành máy thổi. Nếu máy thổi có hư hỏng, hãy nhớ Trung tâm dịch vụ được ủy quyền của Makita sửa chữa.
17. Không cho ngón tay hoặc các vật khác vào ngõ vào đầu hút hoặc đầu ra máy thổi.
18. Tránh tình huống vô tình khởi động. Đảm bảo công tắc ở vị trí off (tắt) trước khi gắn hộp pin, cầm hoặc mang máy thổi. Việc di chuyển máy thổi khi đang đặt ngón tay ở công tắc hoặc cấp điện cho máy thổi đang bật dễ gây ra tai nạn.

19. Không bao giờ thổi vật liệu nguy hiểm, như đinh, mảnh vỡ thủy tinh, hoặc lưỡi dao.
20. Không vận hành máy thổi gần các vật liệu dễ cháy.
21. Tránh vận hành máy thổi trong thời gian dài ở môi trường có nhiệt độ thấp.
22. Không sử dụng máy khi có nguy cơ sấm sét.
23. Khi bạn sử dụng máy trên đất bùn lầy, sườn dốc ẩm ướt, hoặc nơi trơn trượt, hãy chú ý đến chỗ để chân của bạn.
24. Không sử dụng máy khi thời tiết xấu hạn chế khả năng hiển thị. Nếu không làm như vậy có thể gây ra té ngã hoặc vận hành không chính xác do tầm nhìn thấp.
25. Không nhúng máy vào vũng nước.
26. Không để máy ngoài trời mà không có người giám sát dưới trời mưa.
27. Không sử dụng máy dưới trời tuyết.
28. Trong quá trình vận hành, giữ dây điện tránh xa khỏi chướng ngại vật. Dây bị vướng bởi chướng ngại vật có thể gây ra thương tích nghiêm trọng.

Bảo dưỡng và cất giữ

1. Giữ cho tất cả các đai ốc, bu-lông và ốc vít đều vận chặt để đảm bảo máy thổi hoạt động trong điều kiện làm việc an toàn.
2. Nếu các bộ phận bị mòn hoặc hư hỏng, hãy thay thế chúng bằng các bộ phận Makita chính hãng.
3. Cất giữ máy thổi ở nơi khô ráo tránh xa tầm tay trẻ em.
4. Khi bạn dừng máy thổi để kiểm tra, bảo trì, cất giữ hoặc thay đổi phụ kiện, hãy tắt công tắc máy thổi và đảm bảo tất cả các bộ phận quay chuyển sang trạng thái dừng hoàn toàn, và tháo hộp pin. Làm mát máy thổi trước khi thực hiện bất kỳ công việc nào trên máy thổi. Bảo dưỡng máy thổi cẩn thận và giữ máy sạch sẽ.
5. Luôn làm nguội máy thổi trước khi cất giữ.
6. Không để máy thổi tiếp xúc với mưa. Cất giữ máy thổi trong nhà.
7. Khi bạn nhấc máy thổi lên, hãy đảm bảo khay đầu gối xuống và luôn cẩn thận để không làm lưng của bạn bị tổn thương.
8. Khi rửa máy, không để nước lọt vào cơ cấu điện như pin, động cơ và các cực.
9. Khi cất giữ máy, tránh ánh nắng trực tiếp và mưa, cất giữ ở nơi không nóng hoặc ẩm ướt.
10. Khi di chuyển máy, hãy đảm bảo giữ chặt máy bằng cách cầm tay cầm của máy.
11. Khi di chuyển máy, hãy cẩn thận không để dây bị kẹt bởi chướng ngại vật.

Sử dụng và bảo quản dụng cụ dùng pin

1. Chỉ sạc pin lại với bộ sạc do nhà sản xuất quy định. Bộ sạc phù hợp với một loại bộ pin này có thể gây ra nguy cơ hỏa hoạn khi được dùng cho một bộ pin khác.
2. Chỉ sử dụng các dụng cụ máy với các bộ pin được ủy định cụ thể. Việc sử dụng bất cứ bộ pin nào khác có thể gây ra thương tích và hỏa hoạn.

3. Khi không sử dụng bộ pin, hãy giữ tránh xa các đồ vật khác bằng kim loại, chẳng hạn như kẹp giấy, tiền xu, chìa khóa, đinh, ốc vít hoặc các vật nhỏ bằng kim loại mà có thể làm nối tất các đầu cực pin. Các đầu cực pin bị đoản mạch có thể gây cháy hoặc hỏa hoạn.
4. Trong điều kiện sử dụng quá mức, pin có thể bị cháy nước; hãy tránh tiếp xúc. Nếu vô tình tiếp xúc với pin bị cháy nước, hãy rửa sạch bằng nước. Nếu dung dịch từ pin tiếp xúc với mắt, cần đi khám bác sĩ thêm. Dung dịch chảy ra từ pin có thể gây rát da hoặc bỏng.
5. Không sử dụng bộ pin hoặc dụng cụ bị hư hỏng hoặc đã bị sửa đổi. Pin đã bị hư hỏng hoặc đã bị sửa đổi có thể hành động theo cách không thể đoán trước dẫn đến cháy, nổ hoặc nguy cơ chấn thương.
6. Không để bộ pin hoặc dụng cụ tiếp xúc với lửa hoặc nhiệt độ quá cao. Tiếp xúc với lửa hoặc nhiệt độ trên 130 °C có thể gây ra cháy nổ.
7. Làm theo tất cả các hướng dẫn sạc pin và không được sạc bộ pin hoặc dụng cụ vượt giới hạn nhiệt độ quy định trong hướng dẫn. Sạc pin không đúng hoặc ở nhiệt độ vượt giới hạn nhiệt độ có thể gây hư hỏng cho pin và làm tăng nguy cơ cháy.

An toàn về điện và pin

1. Không thổi bỏ (các) viên pin vào lửa. Viên pin có thể phát nổ. Kiểm tra bằng mắt địa phương để biết hướng dẫn thổi bỏ đặc biệt nếu có.
2. Không mờ hay cắt xén (các) viên pin. Chất điện phân thổi ra có tính ăn mòn và có thể gây tổn thương cho mắt hoặc da. Có thể độc hại nếu nuốt phải.
3. Không sạc pin trong mưa, hoặc nơi ẩm ướt.
4. Không sạc pin ở ngoài trời.
5. Không thao tác bộ sạc, bao gồm phích cắm của bộ sạc, và điện cực của bộ sạc bằng tay ướt.
6. Không thay pin bằng tay ướt.
7. Không thay pin dưới trời mưa.
8. Không làm ướt điện cực của pin bằng chất lỏng ví dụ như nước, hoặc nhấn chìm pin. Không để pin dưới trời mưa, không sạc, sử dụng, hoặc cất giữ pin ở nơi ẩm hoặc ướt. Nếu điện cực bị ướt hoặc có chất lỏng lọt vào bên trong pin, pin có thể bị đoản mạch và có nguy cơ quá nhiệt, cháy hoặc nổ.
9. Sau khi tháo pin ra khỏi máy hoặc bộ sạc, hãy đảm bảo cất giữ pin ở nơi khô ráo.
10. Nếu hộp pin bị ướt, xả nước bên trong hộp pin sau đó lau bằng vải khô. Làm khô hộp pin hoàn toàn ở nơi khô ráo trước khi sử dụng.

Bảo dưỡng

1. Để nhân viên sửa chữa đủ trình độ bảo dưỡng dụng cụ máy của bạn và chỉ sử dụng các bộ phận thay thế đồng nhất. Việc này sẽ đảm bảo duy trì được độ an toàn của dụng cụ máy.
2. Không bao giờ sử dụng bộ pin đã hỏng. Dịch vụ bảo hành bộ pin chỉ nên thực hiện bởi nhà sản xuất hoặc các nhà cung cấp dịch vụ được ủy quyền.

LƯU GIỮ CÁC HƯỚNG DẪN NÀY.

⚠CẢNH BÁO: KHÔNG vì đã thoải mái hay quen thuộc với sản phẩm (có được do sử dụng nhiều lần) mà không tuân thủ nghiêm ngặt các quy định về an toàn dành cho sản phẩm này.

VIỆC DÙNG SAI hoặc không tuân theo các quy định về an toàn được nêu trong tài liệu hướng dẫn này có thể dẫn đến thương tích cá nhân nghiêm trọng.

Hướng dẫn quan trọng về an toàn dành cho hộp pin

1. Trước khi sử dụng hộp pin, hãy đọc kỹ tất cả các hướng dẫn và dấu hiệu cảnh báo trên (1) bộ sạc pin, (2) pin và (3) sản phẩm sử dụng pin.
2. Không tháo rời hoặc làm thay đổi hộp pin. Việc này có thể dẫn đến hỏa hoạn, quá nhiệt hoặc nổ.
3. Nếu thời gian vận hành ngắn hơn quá mức, hãy ngừng vận hành ngay lập tức. Điều này có thể dẫn đến rủi ro quá nhiệt, có thể gây bỏng và thậm chí là nổ.
4. Nếu chất điện phân rơi vào mắt, hãy rửa sạch bằng nước sạch và đến cơ sở y tế ngay lập tức. Chất này có thể khiến bạn giảm thị lực.
5. Không để hộp pin ở tình trạng đoản mạch:
 - (1) Không chạm vào cực pin bằng vật liệu dẫn điện.
 - (2) Tránh cất giữ hộp pin trong hộp có các vật kim loại khác như đinh, tiền xu, v.v...
 - (3) Không được để hộp pin tiếp xúc với nước hoặc mưa.Đoản mạch pin có thể gây ra dòng điện lớn, quá nhiệt, có thể gây bỏng và thậm chí là hỏng hóc.
6. Không cất giữ cũng như sử dụng dụng cụ và hộp pin ở nơi nhiệt độ có thể lên tới hoặc vượt quá 50 °C (122 °F).
7. Không đốt hộp pin ngay cả khi hộp pin đã bị hư hại nặng hoặc hư hỏng hoàn toàn. Hộp pin có thể nổ khi tiếp xúc với lửa.
8. Không đóng đinh, cắt, nghiền nát, ném, làm rơi hộp pin hoặc va vật cứng vào hộp pin. Làm như thế có thể dẫn đến hỏa hoạn, quá nhiệt hoặc nổ.
9. Không sử dụng pin đã hỏng.
10. Pin nén lithium-ion là đối tượng có yêu cầu bắt buộc theo Luật Hàng hoá Nguy hiểm. Đối với vận tải thương mại, ví dụ như vận tải do bên thứ ba, đại lý giao nhận, thì yêu cầu đặc biệt về đóng gói và nhãn ghi phải được giám sát. Để chuẩn bị cho mặt hàng cần vận chuyển, cần phải tham khảo ý kiến chuyên gia về vật liệu nguy hiểm. Nếu được, vui lòng tuân thủ các quy định quốc gia chi tiết hơn. Buộc hoặc niêm phong các tiếp điểm mở và đóng gói pin theo cách đó để nó không thể di chuyển trong bao bì.

11. Khi rút bỏ hộp pin, hãy tháo chúng khỏi dụng cụ và thả bỏ ở nơi an toàn. Phải tuân thủ theo các quy định của địa phương liên quan đến việc thải bỏ pin.
12. Chỉ sử dụng pin cho các sản phẩm Makita chỉ định. Lắp pin vào sản phẩm không thích hợp có thể gây ra hỏa hoạn, quá nhiệt, nổ, hoặc rò chất điện phân.
13. Nếu dụng cụ không được sử dụng trong một thời gian dài, cần phải tháo pin ra khỏi dụng cụ.
14. Trong và sau khi sử dụng, hộp pin có thể bị nóng, có thể gây bỏng hoặc bỏng ở nhiệt độ thấp. Chú ý xử lý hộp pin nóng.
15. Không chạm vào điện cực của dụng cụ ngay sau khi sử dụng vì điện cực đủ nóng để gây bỏng.
16. Không chạm vào điện cực của dụng cụ ngay sau khi sử dụng, dẫn đến bỏng hoặc thương tích cá nhân.
17. Trừ khi dụng cụ hỗ trợ sử dụng gần đường dây điện cao thế, không sử dụng hộp pin gần đường dây điện cao thế. Việc này có thể dẫn đến trục trặc hoặc hỏng hóc dụng cụ hay hộp pin.
18. Giữ pin tránh xa trẻ em.

LƯU GIỮ CÁC HƯỚNG DẪN NÀY.

⚠THẬN TRỌNG: Chỉ sử dụng pin Makita chính hãng. Việc sử dụng pin không chính hãng Makita, hoặc pin đã được sửa đổi, có thể dẫn đến nổ pin gây ra cháy, thương tích và thiệt hại cá nhân. Nó cũng sẽ làm mất hiệu lực bảo hành của Makita dành cho dụng cụ của Makita và bộ sạc.

Mẹo duy trì tuổi thọ tối đa cho pin

1. Sạc hộp pin trước khi pin bị xả điện hoàn toàn. Luôn dừng việc vận hành dụng cụ và sạc pin khi bạn nhận thấy công suất dụng cụ bị giảm.
2. Không được phép sạc lại một hộp pin đã được sạc đầy. Sạc quá mức sẽ làm giảm tuổi thọ của pin.
3. Sạc pin ở nhiệt độ phòng 10°C - 40°C. Để cho hộp pin nóng nguội lại dần trước khi sạc pin.
4. Khi không sử dụng dụng cụ pin, hãy tháo hộp pin ra khỏi dụng cụ hoặc bộ sạc.
5. Sạc pin sáu tháng một lần nếu bạn không sử dụng dụng cụ trong một thời gian dài (hơn sáu tháng).

LẮP RÁP

⚠ THẬN TRỌNG: Luôn bảo đảm rằng đã tắt máy và tháo hộp pin trước khi tiến hành bất cứ công việc nào trên xe.

Lắp ráp các ống thổi

- Nới lỏng vít kẹp.
▶ **Hình1:** 1. Ốc xiết
- Lắp tay cầm điều khiển vào ống xoay và vặn chặt vít kẹp.
▶ **Hình2:** 1. Tay cầm điều khiển 2. Ống xoay 3. Ốc xiết

CHÚ Ý: Cẩn thận không vặn dây cáp của tay cầm điều khiển khi gắn tay cầm điều khiển vào ống xoay.

- Nới lỏng vít trên kẹp ống, sau đó gắn kẹp ống vào ống mềm. Gắn ống xoay vào ống mềm, sau đó vặn chặt vít trên kẹp ống.
▶ **Hình3:** 1. Ống xoay 2. Kẹp ống 3. Ống mềm
- Nới lỏng vít trên kẹp ống, sau đó gắn kẹp ống vào ống mềm. Gắn ống mềm vào khuỷu nối, sau đó vặn chặt vít trên kẹp ống.
▶ **Hình4:** 1. Ống mềm 2. Kẹp ống 3. Trục khuỷu

CHÚ Ý: Đảm bảo rằng vít trên kẹp ống đang hướng theo chiều được thể hiện trong hình.
▶ **Hình5:** 1. Vít

- Kẹp cáp điều khiển vào giá đỡ dây cáp.
▶ **Hình6:** 1. Giá đỡ dây cáp 2. Cáp điều khiển

CHÚ Ý: Đảm bảo rằng cáp điều khiển được cố định chắc chắn vào giá đỡ dây cáp.

Lắp đặt đầu vòi phun

Căn chỉnh dấu hình tam giác trên đầu vòi phun với dấu trên ống xoay, sau đó gắn đầu vòi phun vào ống xoay, rồi xoay đầu vòi phun để khóa đầu vòi phun vào vị trí.
▶ **Hình7:** 1. Dấu hình tam giác 2. Đầu vòi phun 3. Ống xoay

Để tháo đầu vòi phun, hãy làm ngược lại quy trình lắp vào.

LƯU Ý: Có thể thay đổi chiều dài của vòi bằng cách di chuyển vòi như minh họa trong hình.

- Đầu vòi phun 2. Ống xoay

Lắp đặt vòi phun det hoặc vòi phun nổi dài

Phụ kiện tùy chọn

LƯU Ý: Nếu đầu vòi phun được lắp đặt, hãy tháo đầu vòi phun trước khi lắp đặt ống chuyển đổi.

- Căn chỉnh dấu hình tam giác trên ống chuyển đổi với dấu trên ống xoay, sau đó gắn ống chuyển đổi vào ống xoay, rồi xoay ống để khớp vào vị trí.
▶ **Hình9:** 1. Dấu hình tam giác 2. Ống chuyển đổi 3. Ống xoay
- Căn chỉnh dấu hình tam giác trên vòi phun det hoặc vòi phun nổi dài với dấu trên ống chuyển đổi, rồi xoay ống để khớp vào vị trí.
▶ **Hình10:** 1. Vòi phun det 2. Vòi phun nổi dài 3. Ống chuyển đổi 4. Dấu hình tam giác

Để tháo ống chuyển đổi, vòi phun det hoặc vòi phun nổi dài, hãy thực hiện ngược lại quy trình lắp vào.

Điều chỉnh dây đai và dây nịt vai

- Đeo máy, rồi khóa khóa nịt của đai lưng, sau đó điều chỉnh độ dài của đai lưng.
▶ **Hình11:** 1. Khóa nịt
- Điều chỉnh độ dài của dây nịt vai.
▶ **Hình12:** 1. Dây nịt vai

Điều chỉnh vị trí cần điều khiển

Nới lỏng vít kẹp. Di chuyển tay cầm điều khiển dọc theo ống xoay đến vị trí thoải mái nhất, sau đó vặn chặt vít kẹp.

- Tay cầm điều khiển 2. Ống xoay 3. Ốc xiết

MÔ TẢ CHỨC NĂNG

⚠ THẬN TRỌNG: Luôn đảm bảo rằng đã tắt công tắc máy và tháo hộp pin ra trước khi thực hiện việc điều chỉnh hoặc kiểm tra chức năng trên máy.

Lắp hoặc tháo bộ cấp nguồn di động đeo vai

⚠ THẬN TRỌNG: Luôn tắt máy trước khi lắp hoặc tháo bộ cấp nguồn di động đeo vai.

⚠ THẬN TRỌNG: Giữ máy và bộ cấp nguồn di động đeo vai thật chắc khi lắp hoặc tháo bộ cấp nguồn di động đeo vai. Không giữ chúng thật chắc có thể làm trượt chúng khỏi tay cũng như làm hư hỏng máy và bộ cấp nguồn di động đeo vai hoặc gây thương tích cá nhân.

⚠ THẬN TRỌNG: Đảm bảo rằng bộ cấp nguồn di động đeo vai được lắp chặt vào máy. Nếu không, hộp pin có thể vô ý rơi ra khỏi máy, gây thương tích cho bạn hoặc người khác ở xung quanh.

⚠ THẬN TRỌNG: Trước khi vận hành, đảm bảo dây điện được gắn chắc chắn vào các giá đỡ dây điện và mũi đầu tuýp được cắm vào phích cắm hết mức.

1. Kéo dây điện ra theo hướng như thể hiện trong hình. Khi kéo dây điện ra, đảm bảo đặt dây điện vào giá đỡ như thể hiện trong hình.

► **Hình14:** 1. Dây điện 2. Giá đỡ

2. Lắp bộ cấp nguồn di động đeo vai vào máy như thể hiện trong hình.

► **Hình15:** 1. Bộ cấp nguồn di động đeo vai

⚠ THẬN TRỌNG: Cần thận không để ngón tay hoặc ngón cái của bạn bị kẹt giữa bộ cấp nguồn di động đeo vai và máy khi lắp đặt bộ cấp nguồn di động đeo vai.

⚠ THẬN TRỌNG: Đảm bảo rằng bộ cấp nguồn di động đeo vai được cố định chắc chắn vào máy. Nếu không, bộ cấp nguồn di động đeo vai có thể rơi khỏi bạn hoặc máy hoặc sử dụng máy và gây thương tích. Nếu bạn có thể nhìn thấy chỉ báo màu đỏ như thể hiện trong hình, điều đó có nghĩa là bộ cấp nguồn di động đeo vai vẫn chưa được khóa hoàn toàn.

► **Hình16:** 1. Chỉ báo màu đỏ

⚠ THẬN TRỌNG: Khi tháo bộ cấp nguồn di động đeo vai, nhấn nút khóa trong khi giữ chặt tay cầm.

► **Hình17:** 1. Tay cầm 2. Nút khóa

3. Gắn dây điện vào giá đỡ dây điện như thể hiện trong hình.

► **Hình18:** 1. Giá đỡ dây điện 2. Dây điện

4. Mở nắp phích cắm, sau đó căn chỉnh đầu mũi tên trên mũi đầu tuýp với đầu mũi tên trên máy rồi lắp mũi đầu tuýp vào phích cắm hết mức.

► **Hình19:** 1. Nắp phích cắm 2. Mũi đầu tuýp





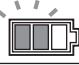

CHÚ Ý: Không được dùng lực để lắp mũi đầu tuýp. Nếu không thể lắp mũi đầu tuýp dễ dàng, có nghĩa là mũi đầu tuýp vẫn chưa được lắp đúng.

CHÚ Ý: Khi ngắt kết nối mũi đầu tuýp khỏi phích cắm, không giữ dây điện mà hãy giữ mũi đầu tuýp. Nếu không, dây điện có thể bị hỏng và khiến máy gặp trục trặc.

Để tháo bộ cấp nguồn di động đeo vai, hãy làm ngược lại quy trình lắp vào.

Chỉ báo dung lượng pin còn lại

► **Hình20:** 1. Đèn chỉ báo pin 2. Nút Check (kiểm tra)
Nhấn nút kiểm tra để cho biết dung lượng pin còn lại.

Trạng thái đèn chỉ báo pin			Dung lượng pin còn lại
 Bật	 Tắt	 Nhấp nháy	
			50% đến 100%
			20% đến 50%
			0% đến 20%

LƯU Ý: Đèn chỉ báo đối với dung lượng pin còn lại chỉ dùng để tham khảo. Dung lượng pin thực tế có thể khác biệt tùy thuộc vào điều kiện sử dụng hoặc nhiệt độ môi trường xung quanh.

LƯU Ý: Trong khi máy đang hoạt động, đèn báo sẽ không sáng lên ngay cả khi bạn nhấn nút kiểm tra.

LƯU Ý: Đèn sẽ tự động tắt sau vài giây.

Hệ thống bảo vệ máy/pin

Máy này được trang bị hệ thống bảo vệ máy/pin. Hệ thống này sẽ tự động ngắt nguồn điện đến động cơ để kéo dài tuổi thọ máy và pin. Máy sẽ tự động dừng vận hành khi máy hoặc pin ở một trong những trường hợp sau đây:

Bảo vệ quá tải

Khi vận hành pin trong điều kiện làm máy tiêu tốn dòng cao bất thường, máy sẽ tự động dừng lại và đèn nguồn chính sẽ nhấp nháy màu xanh lá cây. Trong trường hợp này, hãy tắt máy và ngừng việc sử dụng đã làm cho máy trở nên quá tải. Sau đó bật máy lên để khởi động lại.

LƯU Ý: Đèn nguồn chính cũng nhấp nháy màu xanh lá cây và máy sẽ tự động dừng lại nếu máy được vận hành liên tục trong thời gian dài. Trong trường hợp này, hãy nhả cần khởi động công tắc và trả cần điều khiển về hoàn toàn, sau đó kéo cần khởi động công tắc một lần nữa để khởi động lại máy.

Bảo vệ quá nhiệt

Khi máy hoặc pin bị quá nhiệt, máy sẽ tự động dừng và đèn nguồn chính sẽ sáng lên màu đỏ. Trong trường hợp này, hãy để máy và pin nguội trước khi bật máy lại.

LƯU Ý: Đèn nguồn chính nhấp nháy màu đỏ khi pin bị quá nhiệt.

Bảo vệ xả điện quá mức

Khi dung lượng pin không đủ, máy sẽ tự động dừng và đèn nguồn chính sẽ nhấp nháy màu đỏ. Trong trường hợp này, hãy tháo pin khỏi máy và sạc pin hoặc đổi pin thành pin khác đã sạc đầy.

Bảo vệ chống lại các nguyên nhân khác

Hệ thống bảo vệ cũng được thiết kế để chống lại các nguyên nhân khác có thể làm hư hỏng máy và cho thực máy tự động dừng lại. Thực hiện tất cả các bước sau đây để loại bỏ nguyên nhân, khi máy đã được tạm dừng hoặc ngừng hoạt động.

1. Tắt máy, sau đó bật lại lần nữa để khởi động lại.
2. Sạc (các) pin hoặc thay pin/các pin bằng (các) pin đã sạc.
3. Để máy và (các) pin nguội dần.

Nếu không thấy cải thiện bằng cách khôi phục hệ thống bảo vệ, hãy liên hệ với Trung tâm Dịch vụ Makita tại địa phương của bạn.

CHÚ Ý: Nếu máy dừng do nguyên nhân không được mô tả bên trên, hãy tham khảo phần xử lý sự cố.

Công tắc nguồn chính

⚠ CẢNH BÁO: Luôn luôn tắt công tắc nguồn chính khi không sử dụng.

Để bật máy, nhấn công tắc nguồn chính. Để tắt nguồn, nhấn công tắc nguồn chính lần nữa.

- **Hình21:** 1. Đèn nguồn chính 2. Công tắc nguồn chính

LƯU Ý: Máy sử dụng chức năng tắt nguồn tự động. Để tránh việc khởi động ngoài ý muốn, công tắc nguồn chính sẽ tự động tắt khi máy không hoạt động trong một khoảng thời gian nhất định sau khi công tắc nguồn chính được bật lên.

LƯU Ý: Nếu đèn nguồn chính sáng lên màu đỏ hoặc nhấp nháy màu đỏ hay xanh lá cây, hãy tham khảo hướng dẫn dành cho hệ thống bảo vệ máy/pin.

Hoạt động công tắc

⚠ CẢNH BÁO: Trước khi lắp đặt bộ cấp nguồn di động đeo vai vào máy, luôn kiểm tra để đảm bảo cần khởi động công tắc hoạt động bình thường và trả về vị trí "TẮT" khi nhả ra.

Để khởi động máy, chỉ cần kéo cần khởi động công tắc. Tốc độ sẽ tăng lên bằng cách tăng lực ép lên cần khởi động công tắc. Nhả cần khởi động công tắc ra để dừng.

- **Hình22:** 1. Cần khởi động công tắc

Chức năng kiểm soát hành trình

Chức năng kiểm soát hành trình cho phép người vận hành duy trì tốc độ ổn định mà không cần kéo cần khởi động. Để tăng tốc độ, xoay cần điều khiển về phía trước. Để giảm tốc độ, xoay cần điều khiển về phía sau.

- **Hình23:** 1. Cần điều khiển

Chức năng điện tử

Máy này được trang bị chức năng điện tử để dễ dàng vận hành.

- Điều khiển tốc độ không đổi
Chức năng điều khiển tốc độ cung cấp tốc độ quay không đổi bất kể điều kiện tải.

Chức năng phòng ngừa vô tình khởi động lại

Khi bạn bật máy trong khi kéo cần khởi động công tắc, máy sẽ không khởi động và đèn nguồn chính sẽ nhấp nháy màu xanh lá cây. Để khởi động máy, đầu tiên nhả cần khởi động công tắc ra và trả cần điều khiển về hoàn toàn, sau đó bật máy.

VẬN HÀNH

⚠ THẬN TRỌNG: Khi đeo máy, đảm bảo đặt dây nịt vai trên cả hai vai của bạn. Nếu không, máy có thể rơi khi bạn đeo hoặc sử dụng máy và gây thương tích.

⚠ THẬN TRỌNG: Khi đeo máy, đảm bảo đeo máy trên lưng của bạn. Nếu không, máy có thể rơi trong quá trình hoạt động và gây thương tích.

⚠ THẬN TRỌNG: Không đặt máy trên mặt đất trong khi máy đang chạy. Cát hoặc bụi bẩn có thể bay vào ngõ vào đầu hút và gây ra sự cố hỏng hóc hoặc thương tích cá nhân.

1. Nhấn nút nguồn trên bộ cấp nguồn di động đeo vai. Đèn nguồn chính sẽ sáng lên.

- **Hình24:** 1. Nút nguồn 2. Đèn nguồn chính

2. Đeo dây nịt vai của máy và khóa khóa nịt trên đai lưng.

3. Nhấn công tắc nguồn chính để bật máy.

Máy sẵn sàng vận hành. Máy sẽ chạy khi bạn kéo cần khởi động công tắc.

- **Hình25:** 1. Công tắc nguồn chính

Giữ chặt tay cầm điều khiển và thực hiện thao tác thổi bằng cách di chuyển máy chậm chậm xung quanh. Khi dùng máy thổi xung quanh tòa nhà, hướng vòi phun tránh đá lớn hoặc xe cộ. Khi thực hiện thao tác ở trong góc, hãy bắt đầu từ trong góc và sau đó di chuyển ra vùng rộng hơn bên ngoài.

- **Hình26**

Khi đặt máy xuống, mở khóa khóa đai lưng, sau đó đặt máy xuống từ từ.

- **Hình27:** 1. Khóa nịt

BẢO TRÌ

⚠ THẬN TRỌNG: Luôn đảm bảo rằng máy đã được tắt công tắc và hộp pin đã được tháo ra trước khi bạn cố gắng thực hiện việc kiểm tra hay bảo dưỡng.

Để đảm bảo ĐỘ AN TOÀN và ĐỘ TIN CẬY của sản phẩm, việc sửa chữa hoặc bất cứ thao tác bảo trì, điều chỉnh nào đều phải được thực hiện bởi các Trung tâm Dịch vụ Nhà máy hoặc Trung tâm được Makita Ủy quyền và luôn sử dụng các phụ tùng thiết bị thay thế của Makita.

Vệ sinh máy

CHÚ Ý: Không được phép dùng xăng, ét xăng, dung môi, cồn hoặc hóa chất tương tự. Có thể xảy ra hiện tượng mất màu, biến dạng hoặc nứt vỡ.

Làm sạch máy bằng cách lau hết bụi bằng vải khô hoặc vải nhúng vào nước xà phòng và vắt khô.

Loại bỏ bụi hoặc bụi bẩn khỏi ngõ vào đầu hút.

► **Hình28:** 1. Ngõ vào đầu hút

Cất giữ

CHÚ Ý: Đảm bảo đóng nắp phích cắm trước khi cất giữ. Nếu nắp phích cắm mở hoặc không đóng hoàn toàn, bụi có thể đi vào máy và khiến máy gặp trục trặc.

Trước khi cất giữ máy, rút ổ cắm ra khỏi phích cắm và thực hiện bảo dưỡng đầy đủ. Cất giữ máy ở nơi tránh xa tầm tay trẻ em và không tiếp xúc với hơi ẩm, mưa hay ánh nắng trực tiếp.

Bạn có thể kết nối dây đai của ống với máy như thể hiện trong hình để dựng đứng ống lên.

► **Hình29:** 1. Mũi đầu tuýp 2. Nắp phích cắm 3. Dây đai

XỬ LÝ SỰ CỐ

Trước khi yêu cầu sửa chữa, đầu tiên hãy tự tiến hành kiểm tra của riêng bạn. Nếu bạn phát hiện vấn đề nào đó không được giải thích trong sách hướng dẫn sử dụng này, đừng cố tháo dỡ máy. Thay vào đó, hãy nhờ Trung tâm dịch vụ Makita được ủy quyền, luôn sử dụng bộ phận thay thế của Makita để sửa chữa.

Tình trạng bất thường	Nguyên nhân tiềm tàng (sự cố hòng hóc)	Biện pháp khắc phục
Động cơ không chạy.	Pin chưa được lắp.	Lắp pin.
	Vấn đề pin (điện áp thấp)	Sạc lại pin. Nếu sạc pin lại không hiệu quả, hãy thay thế pin.
	Hệ thống truyền động không làm việc đúng cách.	Nhờ trung tâm bảo trì được ủy quyền ở địa phương sửa chữa.
Động cơ ngừng chạy sau khi ít sử dụng đến.	Mức sạc pin thấp.	Sạc lại pin. Nếu sạc pin lại không hiệu quả, hãy thay thế pin.
	Quá nhiệt.	Ngừng sử dụng máy để giúp máy nguội dần.
Máy không đạt tốc độ tối đa.	Pin được lắp đúng cách.	Lắp pin như mô tả trong sách hướng dẫn này.
	Nguồn pin bị tụt áp.	Sạc lại pin. Nếu sạc pin lại không hiệu quả, hãy thay thế pin.
	Hệ thống truyền động không làm việc đúng cách.	Nhờ trung tâm bảo trì được ủy quyền ở địa phương sửa chữa.
Rung bất thường: ⇒ ngừng máy ngay lập tức!	Hệ thống truyền động không làm việc đúng cách.	Nhờ trung tâm bảo trì được ủy quyền ở địa phương sửa chữa.
Động cơ không thể dừng lại: ⇒ Tháo hộp pin ngay lập tức!	Hư hỏng điện hoặc điện tử.	Tháo pin và nhờ trung tâm bảo trì được ủy quyền ở địa phương sửa chữa.

PHỤ KIỆN TỰ CHỌN

⚠ THẬN TRỌNG: Các phụ kiện hoặc phụ tùng gắn thêm này được khuyến cáo sử dụng với sản phẩm Makita của bạn theo như quy định trong hướng dẫn này. Việc sử dụng bất cứ phụ kiện hoặc phụ tùng gắn thêm nào khác đều có thể gây ra rủi ro thương tích cho người. Chỉ sử dụng phụ kiện hoặc phụ tùng gắn thêm cho mục đích đã quy định sẵn của chúng.

Nếu bạn cần bất kỳ sự hỗ trợ nào để biết thêm chi tiết về các phụ tùng này, hãy hỏi Trung tâm Dịch vụ của Makita tại địa phương của bạn.

- Vòi phun nối dài
- Vòi phun det
- Ống chuyển đời
- Pin và bộ sạc chính hãng của Makita

LƯU Ý: Một số mục trong danh sách có thể được bao gồm trong gói sản phẩm làm phụ kiện tiêu chuẩn. Các mục này có thể thay đổi tùy theo từng quốc gia.

ข้อมูลจำเพาะ

รุ่น:	UB002C	
สมรรถนะ	ปริมาณลม	0 - 19.0 m ³ /min
	ความเร็วลม (ปานกลาง)	0 - 60.0 m/s
	ความเร็วลม (สูงสุด)	0 - 71.7 m/s
ขนาด (ยาว x กว้าง x สูง) (รวมปลายหัวฉีด)	1,368 mm x 694 mm x 715 mm	
แรงดันไฟฟ้าสูงสุด	D.C. 36 V - 40 V สูงสุด	
น้ำหนักสุทธิ	15.9 - 16.1 kg	
ระดับการป้องกัน	IPX4	

- เนื่องจากการค้นคว้าวิจัยและพัฒนาอย่างต่อเนื่อง ข้อมูลจำเพาะในเอกสารฉบับนี้อาจเปลี่ยนแปลงได้โดยไม่ต้องแจ้งให้ทราบล่วงหน้า
- ข้อมูลจำเพาะอาจแตกต่างกันไปในแต่ละประเทศ
- น้ำหนักอาจแตกต่างกันไปตามอุปกรณ์เสริม รวมถึงตัวแบตเตอรี่ การติดอุปกรณ์เสริมที่เบาที่สุดและหนักที่สุดตามข้อกำหนดของ EPTA 01/2014 มีแสดงอยู่ในตาราง

ชุดต้นกำลังแบบพกพาที่ใช้ได้

PDC1200

คำเตือน: ใช้ชุดต้นกำลังแบบพกพาที่ระบุไว้ข้างบนเท่านั้น การใช้ชุดต้นกำลังแบบพกพาประเภทอื่นอาจก่อให้เกิดความเสี่ยงที่จะได้รับบาดเจ็บและ/หรือเกิดไฟไหม้

สัญลักษณ์

ต่อไปนี้เป็นสัญลักษณ์ที่อาจใช้สำหรับอุปกรณ์ โปรดศึกษาความหมายของสัญลักษณ์ให้เข้าใจก่อนการใช้งาน

-  ใช้ความระมัดระวังและความสนใจเป็นพิเศษ
-  อ่านคู่มือการใช้งาน
-  ดูแลให้มีอยู่ห่างจากชิ้นส่วนที่หมุนอยู่
-  หมที่ยาวอาจเข้าไปติดและทำให้เกิดอุบัติเหตุได้
-  อย่าให้ผู้อื่นเข้ามาใกล้บริเวณที่ปฏิบัติงาน
-  สวมใส่อุปกรณ์ป้องกันดวงตาและหู
-  อย่าให้เครื่องมือโดนความชื้น



สำหรับประเทศในสหภาพยุโรปเท่านั้น เนื่องจากในอุปกรณ์มีส่วนประกอบอันตราย ขยะจำพวกอุปกรณ์ไฟฟ้าและอิเล็กทรอนิกส์ แบตเตอรี่ และหม้อแบตเตอรี่จึงอาจส่งผลกระทบต่อสิ่งแวดล้อมและสุขภาพของมนุษย์ในเชิงลบ อย่าทิ้งเครื่องใช้ไฟฟ้าและอิเล็กทรอนิกส์หรือแบตเตอรี่ร่วมกับวัสดุเหลือทิ้งในครัวเรือน!

เพื่อให้เป็นไปตามกฎระเบียบของยุโรปว่าด้วยขยะจำพวกอุปกรณ์ไฟฟ้าและอิเล็กทรอนิกส์ และหม้อสะสมไฟฟ้าและแบตเตอรี่ และขยะจำพวกหม้อสะสมไฟฟ้าและแบตเตอรี่ รวมถึงการบังคับใช้ตามกฎหมายภายในประเทศ ควรมีการจัดเก็บขยะจำพวกอุปกรณ์ไฟฟ้า แบตเตอรี่ และหม้อสะสมไฟฟ้าแยกต่างหากและส่งไปยังจุดรับขยะต่างหากในเขตเทศบาลซึ่งมีการดำเนินการตามระเบียบว่าด้วยการดูแลสิ่งแวดล้อม โดยระบุด้วยสัญลักษณ์เส้นคาดขวางรูปถังขยะแบบมีล้อไว้บนอุปกรณ์



ผ่านการรับรองระดับพลังงานเสียงตามกฎระเบียบว่าด้วยเสียงรบกวนภายนอกของสหภาพยุโรป



ระดับพลังงานเสียงตามข้อบังคับการ
ควบคุมเสียงรบกวนของรัฐนิวเซาท์เวลส์
ประเทศออสเตรเลีย

จุดประสงค์การใช้งาน

เครื่องนี้ใช้สำหรับแผ่น

เกี่ยวกับคู่มือการใช้งานนี้

คำว่า “แบตเตอรี่” “ตลับแบตเตอรี่” หรือ “ชุดแบตเตอรี่” ในคู่มือการใช้งานนี้หมายถึง “ชุดต้นกำลังแบบพกพา”

คำเตือนด้านความปลอดภัย

คำเตือนด้านความปลอดภัยของเครื่องมือไฟฟ้าทั่วไป

คำเตือน: โปรดอ่านคำเตือนด้านความปลอดภัย คำแนะนำ ภาพประกอบ และข้อมูลจำเพาะต่างๆ ที่หามาพร้อมกับเครื่องมือไฟฟ้าอย่างละเอียด การไม่ปฏิบัติตามคำแนะนำดังต่อไปนี้ อาจส่งผลให้เกิดไฟฟ้าช็อต ไฟไหม้ และ/หรือได้รับบาดเจ็บอย่างร้ายแรงได้

เก็บรักษาคำเตือนและคำแนะนำทั้งหมดไว้เป็นข้อมูลอ้างอิงในอนาคต

คำว่า “เครื่องมือไฟฟ้า” ในคำเตือนนี้หมายถึงเครื่องมือไฟฟ้า (มีสาย) ที่ทำงานโดยใช้กระแสไฟฟ้าหรือเครื่องมือไฟฟ้า (ไร้สาย) ที่ทำงานโดยใช้แบตเตอรี่

ความปลอดภัยของพื้นที่ทำงาน

1. ดูแลพื้นที่ทำงานให้มีความสะอาดและมีแสงไฟสว่าง พื้นที่ที่กระเบื้องหรือมีดที่บิ่นอาจนำไปสู่การเกิดอุบัติเหตุได้
2. อย่าใช้งานเครื่องมือไฟฟ้าในสภาพที่อาจเกิดการระเบิด เช่น ในสถานที่ที่มีของเหลว ก๊าซ หรือฝุ่นผงที่มีคุณสมบัติไวไฟ เครื่องมือไฟฟ้าอาจสร้างประกายไฟและจุดชนวนฝุ่นผงหรือก๊าซดังกล่าว
3. ดูแลไม่ให้มีเด็ก หรือบุคคลอื่นอยู่ในบริเวณที่กำลังใช้เครื่องมือไฟฟ้า การมีสิ่งรบกวนสมาธิอาจทำให้คุณสูญเสียการควบคุม

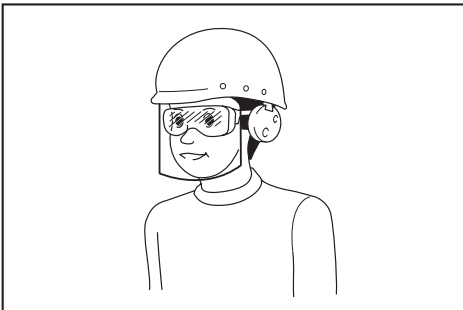
ความปลอดภัยด้านไฟฟ้า

1. ปลั๊กของเครื่องมือไฟฟ้าต้องพอดีกับเต้ารับ อย่าดัดแปลงปลั๊กไม่ว่ากรณีใดๆ อย่าใช้ปลั๊กอะแดปเตอร์กับเครื่องมือไฟฟ้าที่ต่อสายดิน ปลั๊กที่ไม่ถูกดัดแปลงและเต้ารับที่เข้ากันพอดีจะช่วยลดความเสี่ยงของการเกิดไฟฟ้าช็อต
2. ระวังอย่าให้ร่างกายสัมผัสกับพื้นผิวที่ต่อสายดิน เช่น ท่อ เครื่องนำความร้อน เตาหุงต้ม และตู้เย็น มีความเสี่ยงที่จะเกิดไฟฟ้าช็อตสูงขึ้น หากร่างกายของคุณสัมผัสกับพื้น
3. อย่าให้เครื่องมือไฟฟ้าถูกน้ำหรืออยู่ในสภาพเปียกชื้น น้ำที่ไหลเข้าไปในเครื่องมือไฟฟ้าจะเพิ่มความเสี่ยงของการเกิดไฟฟ้าช็อต
4. อย่าใช้สายไฟอย่างไม่เหมาะสม อย่าใช้สายไฟเพื่อยก ดึง หรือถอดปลั๊กเครื่องมือไฟฟ้า เก็บสายไฟให้ห่างจากความร้อน น้ำมัน ของมีคม หรือชิ้นส่วนที่เคลื่อนที่ สายที่ชำรุดหรือพันกันจะเพิ่มความเสี่ยงของการเกิดไฟฟ้าช็อต
5. ขณะที่ใช้งานเครื่องมือไฟฟ้านอกอาคาร ควรใช้สายต่อพ่วงที่เหมาะสมกับงานภายนอกอาคาร การใช้สายที่เหมาะสมกับงานภายนอกอาคารจะลดความเสี่ยงของการเกิดไฟฟ้าช็อต
6. หากต้องใช้งานเครื่องมือไฟฟ้าในสถานที่เปียกชื้น ให้ใช้อุปกรณ์ป้องกันกระแสไฟรั่ว (RCD) การใช้ RCD จะลดความเสี่ยงของการเกิดไฟฟ้าช็อต
7. เครื่องมือไฟฟ้าอาจสร้างสนามแม่เหล็ก (EMF) ที่ไม่เป็นอันตรายต่อผู้ใช้ อย่างไรก็ตาม ผู้ใช้ที่ใส่เครื่องกระตุ้นหัวใจและอุปกรณ์ทางการแพทย์ที่คล้ายกันนี้ ควรติดต่อผู้ผลิตอุปกรณ์และ/หรือแพทย์เพื่อรับคำแนะนำก่อนใช้งานเครื่องมือไฟฟ้านี้

ความปลอดภัยส่วนบุคคล

1. ให้ระมัดระวังและมึสติอยู่เสมอขณะใช้งานเครื่องมือไฟฟ้า อย่าใช้งานเครื่องมือไฟฟ้าในขณะที่คุณกำลังเหนื่อย หรือในสภาพที่มึนเมาจากยาเสพติด เครื่องดื่ม แอลกอฮอล์ หรือการเริ่ชา ช่วงขณะที่ขาดความระมัดระวังเมื่อกำลังใช้งานเครื่องมือไฟฟ้าอาจทำให้ได้รับบาดเจ็บร้ายแรง
2. ใช้อุปกรณ์ป้องกันส่วนบุคคล สวมแว่นตาป้องกันเสมอ อุปกรณ์ป้องกัน เช่น หน้ากากกันฝุ่น รองเท้านิรภัย กันสั่น หมวกนิรภัย หรือเครื่องป้องกันการได้ยินที่ใช้ในสภาพที่เหมาะสมจะช่วยลดการบาดเจ็บ

3. ป้องกันไม่ให้เกิดการเปิดใช้งานโดยไม่ตั้งใจ ตรวจสอบให้แน่ใจว่าสวิตช์ปิดอยู่ก่อนที่จะเชื่อมต่อกับแหล่งจ่ายไฟ และ/หรือชุดแบตเตอรี่ รวมทั้งตรวจสอบก่อนการยกหรือเคลื่อนย้ายเครื่องมือ การสอดนิ้วมือบริเวณสวิตช์เพื่อถี้อเครื่องมือไฟฟ้า หรือการชาร์จไฟเครื่องมือไฟฟ้าในขณะที่เปิดสวิตช์อยู่อาจนำไปสู่การเกิดอุบัติเหตุ
4. นำกุญแจปรับตั้งหรือประแจออกก่อนที่จะเปิดเครื่องมือไฟฟ้า ประแจหรือกุญแจที่เสียบค้างอยู่ในชิ้นส่วนที่หมุนได้ของเครื่องมือไฟฟ้าอาจทำให้ได้รับบาดเจ็บ
5. อย่าทำงานในระยะที่สุดเอื่อม จัดท่ากรยีนและการทรงตัวให้เหมาะสมตลอดเวลา เพราะจะทำให้ควบคุมเครื่องมือไฟฟ้าได้ดีขึ้นในสถานการณ์ที่ไม่คาดคิด
6. แต่งกายให้เหมาะสม อย่าสวมเครื่องแต่งกายที่หลวมเกินไป หรือสวมเครื่องประดับ ดูแลไม่ให้เส้นผมและเสื้อผ้าอยู่ใกล้ชิ้นส่วนที่เคลื่อนที่ เสื้อผ้ารุ่มร่าม เครื่องประดับ หรือผมที่มีความยาวอาจเข้าไปติดในชิ้นส่วนที่เคลื่อนที่
7. หากมีการจัดอุปกรณ์สำหรับดูดและจัดเก็บฝุ่นไว้ในสถานที่ ให้ตรวจสอบว่าได้เชื่อมต่อและใช้งานอุปกรณ์นั้นอย่างเหมาะสม การใช้เครื่องดูดและจัดเก็บฝุ่นจะช่วยลดอันตรายที่เกิดจากฝุ่นผงได้
8. อย่าให้ความคุ้นเคยจากการใช้งานเครื่องมือเป็นประจําทำให้คุณทำตัวตามสบายและละเลยหลักการเพื่อความปลอดภัยในการใช้เครื่องมือ การกระทำที่ไม่ระมัดระวังอาจทำให้เกิดการบาดเจ็บร้ายแรงภายในเสี้ยววินาที
9. สวมใส่แว่นครอบตานิรภัยเพื่อปกป้องดวงตาของคุณจากการบาดเจ็บเมื่อใช้เครื่องมือไฟฟ้า แว่นครอบตาจะต้องได้มาตรฐาน ANSI Z87.1 ในสหรัฐอเมริกา, EN 166 ในยุโรป หรือ AS/NZS 1336 ในออสเตรเลีย/นิวซีแลนด์ ในออสเตรเลีย/นิวซีแลนด์ จะต้องสวมเกราะป้องกันใบหน้าเพื่อปกป้องใบหน้าของคุณอย่างถูกต้องตามกฎหมายด้วย



ผู้ว่าจ้างมีหน้าที่รับผิดชอบในการบังคับผู้ใช้งานเครื่องมือและบุคคลอื่น ๆ ที่อยู่ในบริเวณที่ปฏิบัติงานให้ใช้อุปกรณ์ป้องกันที่เหมาะสม

การใช้และดูแลเครื่องมือไฟฟ้า

1. อย่าฝืนใช้เครื่องมือไฟฟ้า ใช้เครื่องมือไฟฟ้าที่เหมาะสมกับการใช้งานของคุณ เครื่องมือไฟฟ้าที่เหมาะสมจะทำให้ทำงานที่มีประสิทธิภาพและปลอดภัยกว่าตามขีดความสามารถของเครื่องที่ได้รับการออกแบบมา
2. อย่าใช้เครื่องมือไฟฟ้า หากสวิตช์ไม่สามารถเปิดปิดได้ เครื่องมือไฟฟ้าที่ควบคุมด้วยสวิตช์ไม่ได้เป็นสิ่งอันตรายและต้องได้รับการซ่อมแซม
3. ถอดปลั๊กจากแหล่งจ่ายไฟ และ/หรือชุดแบตเตอรี่ออกจากเครื่องมือไฟฟ้าก่อนทำการปรับตั้ง เปลี่ยนอุปกรณ์เสริม หรือจัดเก็บเครื่องมือไฟฟ้า วิธีการป้องกันด้านความปลอดภัยดังกล่าวจะช่วยลดความเสี่ยงในการเปิดใช้งานเครื่องมือไฟฟ้าโดยไม่ตั้งใจ
4. จัดเก็บเครื่องมือไฟฟ้าที่ไม่ได้ใช้งานให้ห่างจากมือเด็ก และอย่าอนุญาตให้บุคคลที่ไม่คุ้นเคยกับเครื่องมือไฟฟ้าหรือคำแนะนำเหล่านี้ใช้งานเครื่องมือไฟฟ้า เครื่องมือไฟฟ้าจะเป็นอันตรายเมื่ออยู่ในมือของผู้ที่ไม่ได้รับการฝึกอบรม
5. บำรุงรักษาเครื่องมือไฟฟ้าและอุปกรณ์เสริม ตรวจสอบการประกอบที่ไม่ถูกต้องหรือการเชื่อมต่อของชิ้นส่วนที่เคลื่อนที่ การแตกหักของชิ้นส่วนหรือสภาพอื่น ๆ ที่อาจส่งผลกระทบต่อการทำงานของเครื่องมือไฟฟ้า หากมีความเสียหาย ให้นำเครื่องมือไฟฟ้าไปซ่อมแซมก่อนการใช้งาน อุบัติเหตุจำนวนมากเกิดจากการดูแลรักษาเครื่องมือไฟฟ้าอย่างไม่ถูกต้อง
6. ทำความสะอาดเครื่องมือตัดและลับให้คมอยู่เสมอ เครื่องมือการตัดที่มีการดูแลอย่างถูกต้องและมีขอบการตัดคมมักจะมีปัญหาติดขัดน้อยและควบคุมได้ง่ายกว่า
7. ใช้เครื่องมือไฟฟ้า อุปกรณ์เสริม และวัสดุสิ้นเปลือง ฯลฯ ตามคำแนะนำดังกล่าว พิจารณาสภาพการทำงานและงานที่จะลงมือทำ การใช้เครื่องมือไฟฟ้าเพื่อทำงานอื่นนอกเหนือจากที่กำหนดไว้อาจทำให้เกิดอันตราย
8. ดูแลมือจับและบริเวณมือจับให้แห้ง สะอาด และไม่มีน้ำมันและจาระบีเปื้อน มือจับและบริเวณมือจับที่ลื่นจะทำให้ไม่สามารถจับและควบคุมเครื่องมือได้อย่างปลอดภัยในสถานการณ์ที่ไม่คาดคิด
9. ขณะใช้งานเครื่องมือ อย่าสวมใส่เสื้อผ้าที่อาจเข้าไปติดในเครื่องมือได้ หากถุงมือเข้าไปติดในชิ้นส่วนที่กำลังเคลื่อนที่อยู่อาจทำให้ได้รับบาดเจ็บ

การใช้งานและดูแลเครื่องมือที่ใช้แบตเตอรี่

1. ชาร์จไฟใหม่ด้วยเครื่องชาร์จที่ระบุโดยผู้ผลิตเท่านั้น เครื่องชาร์จที่เหมาะสมสำหรับชุดแบตเตอรี่ประเภทหนึ่งอาจเสี่ยงที่จะเกิดไฟไหม้หากนำไปใช้กับชุดแบตเตอรี่อีกประเภทหนึ่ง
2. ใช้เครื่องมือไฟฟ้ากับชุดแบตเตอรี่ที่กำหนดมาโดยเฉพาะเท่านั้น การใช้ชุดแบตเตอรี่ประเภทอื่นอาจทำให้เสี่ยงที่จะได้รับบาดเจ็บและเกิดไฟไหม้
3. เมื่อไม่ใช้งานชุดแบตเตอรี่ ให้เก็บห่างจากวัตถุที่เป็นโลหะอื่นๆ เช่น คลิปหนีบกระดาษ เหรียญ กุญแจ กรรไกรตัดเล็บ สกรู หรือวัตถุที่เป็นโลหะขนาดเล็กอื่นๆ ที่สามารถเชื่อมต่อกับขั้วหนึ่งกับอีกขั้วหนึ่งได้ การลัดวงจรขั้วแบตเตอรี่อาจทำให้อุ่นจัดหรือเกิดไฟไหม้
4. ในกรณีที่ใช้งานไม่ถูกต้อง อาจมีของเหลวไหลออกจากแบตเตอรี่ ให้หลีกเลี่ยงการสัมผัส หากสัมผัสโดนของเหลวโดยไม่ตั้งใจ ให้ล้างออกด้วยน้ำ หากของเหลวกระเด็นเข้าตา ให้รีบไปพบแพทย์ ของเหลวที่ไหลออกจากแบตเตอรี่อาจทำให้ผิวหนังระคายเคืองหรือไหม้
5. ห้ามใช้ชุดแบตเตอรี่หรือเครื่องมือที่ชำรุดหรือมีการแก้ไข แบตเตอรี่ที่เสียหายหรือมีการแก้ไขอาจทำให้เกิดสิ่งที่คาดไม่ถึงได้ เช่น ไฟไหม้ ระเบิด หรือเสี่ยงต่อการบาดเจ็บ
6. ห้ามให้ชุดแบตเตอรี่อยู่ใกล้ไฟ หรือบริเวณที่มีอุณหภูมิสูงเกิน หากโดนไฟ หรืออุณหภูมิสูงเกิน 130 °C อาจก่อให้เกิดการระเบิดได้
7. กรุณาปฏิบัติตามคำแนะนำสำหรับการชาร์จไฟ และห้ามชาร์จแบตเตอรี่หรือเครื่องมือในบริเวณที่มีอุณหภูมินอกเหนือไปจากที่ระบุในคำแนะนำ การชาร์จไฟที่ไม่เหมาะสม หรืออุณหภูมินอกเหนือไปจากช่วงอุณหภูมิที่ระบุในคำแนะนำอาจทำให้แบตเตอรี่เสียหายและเป็นการเพิ่มความเสี่ยงในการเกิดไฟไหม้

การซ่อมบำรุง

1. นำเครื่องมือไฟฟ้าเข้ารับบริการจากช่างซ่อมที่ผ่านการรับรองโดยใช้อะไหล่แบบเดียวกันเท่านั้น เพราะจะทำให้การใช้เครื่องมือไฟฟ้ามีความปลอดภัย
2. ห้ามใช้ชุดแบตเตอรี่ที่เสียหาย ชุดแบตเตอรี่ที่ใช้ควรเป็นชุดที่มาจากผู้ผลิต หรือผู้ให้บริการที่ได้รับอนุญาตเท่านั้น
3. ปฏิบัติตามคำแนะนำในการหล่อลื่นและการเปลี่ยนอุปกรณ์เสริม

คำแนะนำด้านความปลอดภัยของเครื่องเป่าลม สะพายหลังพลังงานแบตเตอรี่

คำเตือน: อ่านคำเตือนด้านความปลอดภัยและคำแนะนำทั้งหมด การไม่ปฏิบัติตามคำเตือนและคำแนะนำดังกล่าวอาจส่งผลให้ไฟฟ้าช็อต ไฟไหม้ และ/หรือได้รับบาดเจ็บร้ายแรง

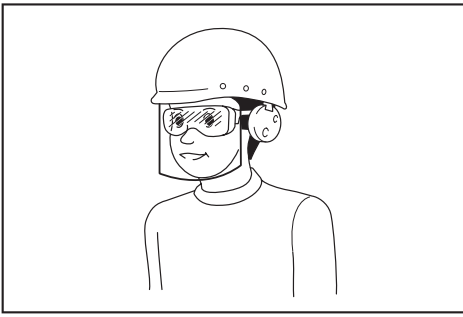
เก็บรักษาคำเตือนและคำแนะนำทั้งหมดไว้ เป็นข้อมูลอ้างอิงในอนาคต

การฝึกปฏิบัติ

1. อ่านคำแนะนำอย่างละเอียด ลองควบคุมและใช้เครื่องเป่าลมด้วยวิธีที่ถูกต้องจนคุ้นเคย
2. อย่าให้เด็ก บุคคลที่มีความบกพร่องทางร่างกาย ทางประสาทสัมผัส หรือทางสภาพจิตใจ หรือขาดประสบการณ์และความรู้ หรือบุคคลที่ไม่คุ้นเคยกับคำแนะนำฝอ ใช้งานเครื่องเป่าลม ข้อบังคับท้องถิ่น อาจมีการจำกัดอายุของผู้ปฏิบัติงาน
3. อย่าใช้งานเครื่องเป่าลมในขณะที่มีบุคคลอื่น โดยเฉพาะเด็กหรือสัตว์เลี้ยงอยู่ในบริเวณใกล้ๆ
4. โปรดระลึกไว้เสมอว่าผู้ปฏิบัติงานและผู้ใช้งานจะเป็นผู้รับผิดชอบอุบัติเหตุหรืออันตรายต่างๆ ที่เกิดขึ้นต่อผู้อื่นหรือทรัพย์สินของผู้อื่น

การเตรียมความพร้อม

1. สวมใส่รองเท้าและกางเกงขายาวที่รัดกุมขณะใช้งานเครื่องเป่าลมเสมอ
2. อย่าสวมใส่เสื้อผ้าที่รุ่มร่ามหรือเครื่องประดับที่อาจถูกดูดเข้าไปในช่องลมเข้า เก็บผมที่ยาวให้เรียบร้อยให้ห่างจากช่องลมเข้า
3. สวมใส่แว่นครอบตานิรภัยเพื่อปกป้องดวงตาของคุณจากการบาดเจ็บเมื่อใช้เครื่องมือไฟฟ้า แว่นครอบตาคะต้องได้มาตรฐาน ANSI Z87.1 ในสหรัฐอเมริกา, EN 166 ในยุโรป หรือ AS/NZS 1336 ในออสเตรเลีย/นิวซีแลนด์ ในออสเตรเลีย/นิวซีแลนด์ จะต้องสวมเกราะป้องกันใบหน้าเพื่อปกป้องใบหน้าของคุณอย่างถูกต้องตามกฎหมายด้วย



ผู้ว่าจ้างมีหน้าที่รับผิดชอบในการบังคับผู้ใช้งานเครื่องมือและบุคคลอื่น ๆ ที่อยู่ในบริเวณที่ปฏิบัติงานให้ใช้อุปกรณ์ป้องกันที่เหมาะสม

4. ควรสวมใส่หน้ากากเพื่อป้องกันความระคายเคืองจากฝุ่น
5. ขณะใช้งานเครื่องมือ ให้สวมใส่รองเท้าที่มีการป้องกันและมีพื้นกันลื่นเสมอ รองเท้าและรองเท้าบูตนิรภัยที่มีพื้นกันลื่นและปิดปลายเท้าจะช่วยลดความเสี่ยงในการได้รับบาดเจ็บ

การใช้งาน

1. ปิดสวิตช์เครื่องเป่าลมและถอดปลั๊กแบตเตอรี่ออกจากนั้นตรวจสอบให้แน่ใจว่าชิ้นส่วนหมุนทั้งหมดได้หยุดทำงานแล้ว
 - เมื่อใดก็ตามที่คุณไม่ได้ใช้งานเครื่องเป่าลม
 - ก่อนกำจัดสิ่งอุดตัน
 - ก่อนทำการตรวจสอบ ให้ทำความสะอาดหรือซ่อมแซมเครื่องเป่าลม
 - หากเครื่องเป่าลมเริ่มสั่นอย่างผิดปกติ
2. ใช้งานเครื่องเป่าลมในเวลากลางวันหรือที่ที่มีไฟส่องสว่างเท่านั้น
3. อย่าใช้เครื่องเป่าลมแบบสุดเอื้อม ควรรักษาความสมดุลและยืนอย่างมั่นคงทุกครั้ง
4. รักษาท่ายืนบนทางลาดให้เหมาะสมเสมอ
5. โปรดเดิน ห้ามวิ่ง
6. รักษาช่องระบายความร้อนทั้งหมดให้สะอาดปราศจากสิ่งสกปรก
7. ห้ามเป่าสิ่งสกปรกไปในทิศทางของผู้ที่อยู่ใกล้เคียง
8. ใช้งานเครื่องเป่าลมในตำแหน่งที่แนะนำ และบนพื้นผิวที่มันคง
9. อย่าใช้งานเครื่องเป่าลมในที่สูง
10. อย่าชี้หัวเป่าไปที่บุคคลที่อยู่บริเวณใกล้เคียงขณะใช้เครื่องเป่าลม

11. อย่าอุดช่องดูดลมและ/หรือช่องปล่อยลมออกเด็ดขาด
 - ระวังอย่าให้ฝุ่นหรือสิ่งสกปรกมาอุดทางเข้าของช่องดูดลมหรือช่องเป่าลมเมื่อทำงานในพื้นที่ที่มีฝุ่นมาก
 - อย่าให้หัวเป่านอกเหนือจากหัวเป่าที่กำหนดโดย Makita
 - อย่าใช้เครื่องเป่าลมกับลูกบอลสุบลม เรือยาง หรือสิ่งที่มีลักษณะใกล้เคียงกับที่กล่าวมา
12. อย่าใช้งานเครื่องเป่าลมใกล้หน้าต่างที่เปิดอยู่ ฯลฯ
13. ควรใช้งานเครื่องเป่าลมในช่วงเวลาที่เหมาะสมเท่านั้น ไม่ใช้งานเข้าภายในหรือตึกเกินไป เนื่องจากอาจรบกวนบุคคลอื่นได้
14. ควรใช้ควาดหรือไม้กวาดทำให้เศษต่างๆ กระจัดตัวก่อนการเป่า
15. ควรใช้หัวเป่าที่มีความยาวเพื่อให้สามารถเป่าลมใกล้กับพื้นได้
16. หากเครื่องเป่าลมปะทะกับวัตถุแปลกปลอม หรือเริ่มส่งเสียงหรือสั่นผิดปกติ ให้ปิดสวิตช์ให้เครื่องเป่าลมหยุดทำงานทันที ถอดปลั๊กแบตเตอรี่ออกจากเครื่องเป่าลม และตรวจสอบเครื่องเป่าลมเพื่อหาความเสียหายก่อนที่จะรีสตาร์ทและใช้งานเครื่องเป่าลม หากเครื่องเป่าลมชำรุด โปรดสอบถามศูนย์บริการที่ได้รับบริการรับรองของ Makita เพื่อรับการซ่อม
17. อย่าสูดน้ำหรือวัตถุใดๆ เข้าไปในช่องดูดลมหรือช่องเป่าลม
18. ป้องกันไม่ให้เกิดการใช้งานโดยไม่ตั้งใจ ตรวจสอบให้แน่ใจว่าสวิตช์อยู่ที่ตำแหน่งปิด ก่อนทำการใส่ปลั๊กแบตเตอรี่ และก่อนยกหรือถือเครื่องเป่าลม การถือเครื่องเป่าลมโดยที่นิ้วอยู่ตรงสวิตช์ หรือการเคลื่อนที่เครื่องเป่าลมโดยที่สวิตช์เปิดอยู่อาจทำให้เกิดอุบัติเหตุได้
19. อย่าเป่าวัสดุอันตราย เช่น เล็บ เศษแก้ว หรือโบมีต
20. อย่าใช้เครื่องเป่าลมใกล้กับวัสดุที่ติดไฟได้
21. หลีกเลี่ยงการใช้เครื่องเป่าลมเป็นเวลานานในสภาพแวดล้อมที่มีอุณหภูมิต่ำ
22. อย่าใช้เครื่องมือเมื่อมีความเสี่ยงที่จะเกิดฟ้าผ่า
23. เมื่อคุณใช้เครื่องบนพื้นโคลน พื้นลาดที่เปียก หรือบริเวณที่ลื่น โปรดระมัดระวังการทรงตัว
24. อย่าใช้เครื่องในสภาพอากาศที่เลวร้ายซึ่งมีทัศนวิสัยจำกัด หากไม่ทำเช่นนั้น อาจทำให้หกล้มหรือทำงานได้ไม่ถูกต้องเนื่องจากทัศนวิสัยไม่ดี
25. อย่าให้เครื่องจมน้ำในอ่างน้ำ
26. อย่าทิ้งเครื่องไว้ข้างนอกกลางฝนโดยไม่มีผู้ดูแล
27. อย่าใช้เครื่องกลางแจ้ง

28. ในระหว่างการใช้งาน ดูแลให้สายไฟอยู่ห่างจากสิ่งกีดขวางต่างๆ สายไฟที่เข้าไปติดกับสิ่งกีดขวางอาจทำให้ได้รับบาดเจ็บได้

การบำรุงรักษาและการเก็บรักษา

1. ตรวจสอบว่าน็อต สลักเกลียว และสกรูทั้งหมดขันแน่นอยู่หรือไม่ เพื่อให้แน่ใจว่าเครื่องเป่าลมอยู่ในสภาพที่ปลอดภัยสำหรับการทำงาน
2. หากชิ้นส่วนสึกหรอหรือชำรุดให้เปลี่ยนชิ้นส่วนด้วยชิ้นส่วนที่กำหนดโดย Makita
3. เก็บเครื่องเป่าลมในที่แห้งและห่างจากมือเด็ก
4. เมื่อคุณหยุดเครื่องเป่าลมเพื่อทำการตรวจสอบ ซ่อมบำรุง จัดเก็บ หรือเปลี่ยนอุปกรณ์เสริม ให้ปิดสวิตช์เครื่องเป่าลมและตรวจสอบให้แน่ใจว่าชิ้นส่วนที่เคลื่อนไหวทั้งหมดหยุดสนิท และถอดปลั๊กแบตเตอรี่ออก รอให้เครื่องเป่าลมเย็นลงก่อนที่จะทำงานใดๆ กับเครื่องเป่าลม ดูแลเครื่องเป่าลมด้วยความระมัดระวังและโปรดรักษาความสะอาด
5. ทิ้งให้เครื่องเป่าลมเย็นลงก่อนการจัดเก็บเสมอ
6. อย่าให้เครื่องเป่าลมโดนฝน เก็บเครื่องเป่าลมในที่ร่ม
7. เมื่อคุณยกเครื่องเป่าลม โปรดแน่ใจว่าได้งอเข้าและระวังอย่าให้หลังบาดเจ็บ
8. เมื่อล้างทำความสะอาดเครื่อง อย่านำน้ำเข้าไปด้านในกลไกไฟฟ้า เช่น แบตเตอรี่ มอเตอร์ และขั้วต่อต่างๆ
9. เมื่อเก็บเครื่อง หลีกเลี้ยงที่ที่ได้รับแสงอาทิตย์โดยตรงหรือฝน และเก็บไว้ในที่ที่ไม่เกิดความร้อนหรือความชื้น
10. เมื่อถือเครื่องมือ ให้จับเครื่องมือให้แน่นโดยจับที่มีมือจับของเครื่อง
11. เมื่อถือเครื่องมือ ระวังอย่าให้สายไฟเข้าไปติดกับสิ่งกีดขวางต่างๆ

การใช้งานและดูแลเครื่องมือที่ใช้แบตเตอรี่

1. ชาร์จไฟใหม่ด้วยเครื่องชาร์จที่ระบุโดยผู้ผลิตเท่านั้น เครื่องชาร์จที่เหมาะสมสำหรับชุดแบตเตอรี่ประเภทหนึ่ง อาจเสี่ยงที่จะเกิดไฟไหม้หากนำไปใช้กับชุดแบตเตอรี่อีกประเภทหนึ่ง
2. ใช้เครื่องมือไฟฟ้ากับชุดแบตเตอรี่ที่กำหนดมาโดยเฉพาะเท่านั้น การใช้ชุดแบตเตอรี่ประเภทอื่นอาจทำให้เสี่ยงที่จะได้รับบาดเจ็บและเกิดไฟไหม้
3. เมื่อไม่ใช้งานชุดแบตเตอรี่ ให้เก็บห่างจากรัดทุที่เป็นโลหะอื่นๆ เช่น คลิปหนีบกระดาษ เหรียญ กุญแจ กรรไกรตัดเล็บ สกรู หรือวัตถุที่เป็นโลหะขนาดเล็กอื่นๆ ที่สามารถเชื่อมต่อกับขั้วหนึ่งกับอีกขั้วหนึ่งได้ การลัดวงจรขั้วแบตเตอรี่อาจทำให้อ่อนจัดหรือเกิดไฟไหม้

4. ในกรณีที่ใช้งานไม่ถูกต้อง อาจมีของเหลวไหลออกจากแบตเตอรี่ ให้หลีกเลี่ยงการสัมผัส หากสัมผัสโดนของเหลวโดยไม่ตั้งใจ ให้ล้างออกด้วยน้ำ หากของเหลวกระเด็นเข้าตา ให้รีบไปพบแพทย์ ของเหลวที่ไหลออกจากแบตเตอรี่อาจทำให้ผิวหนังระคายเคืองหรือไหม้
5. ห้ามใช้ชุดแบตเตอรี่หรือเครื่องมือที่ชำรุดหรือมีการแก้ไข แบตเตอรี่ที่เสียหายหรือมีการแก้ไขอาจทำให้เกิดสิ่งที่ไม่ถึงได้ เช่น ไฟไหม้ ระเบิด หรือเสี่ยงต่อการบาดเจ็บ
6. ห้ามให้ชุดแบตเตอรี่อยู่ใกล้ไฟ หรือบริเวณที่มีอุณหภูมิสูงเกิน หากโดนไฟ หรืออุณหภูมิสูงเกิน 130 °C อาจก่อให้เกิดการระเบิดได้
7. กรุณาปฏิบัติตามคำแนะนำสำหรับการชาร์จไฟ และห้ามชาร์จแบตเตอรี่หรือเครื่องมือในบริเวณที่มีอุณหภูมิบนนอกเหนือไปจากที่ระบุในคำแนะนำ การชาร์จไฟที่ไม่เหมาะสม หรืออุณหภูมิบนนอกเหนือไปจากช่วงอุณหภูมิที่ระบุในคำแนะนำอาจทำให้แบตเตอรี่เสียหายและเป็นการเพิ่มความเสี่ยงในการเกิดไฟไหม้

ความปลอดภัยทางไฟฟ้าและแบตเตอรี่

1. อย่าก่อกัดแบตเตอรี่ในไฟ แบตเตอรี่อาจจะระเบิดได้ ตรวจสอบรหัสท้องถิ่นสำหรับคำแนะนำเกี่ยวกับการก่อกัดทั้งแบบพิเศษ
2. อย่าเปิดหรือทำให้แบตเตอรี่เสียหาย อิเล็กโทรไลต์ที่ถูกปล่อยออกมามีคุณสมบัติที่กร่อน และอาจทำลายดวงตาหรือผิวหนังได้ อาจเป็นพิษหากกลืนกินเข้าไป
3. อย่าชาร์จแบตเตอรี่กลางฝนหรือในสถานที่ที่เปียก
4. ห้ามชาร์จไฟนอกบ้าน หรือกลางแจ้ง
5. ห้ามจับอุปกรณ์ชาร์จรวมถึงปลั๊กเครื่องชาร์จและขั้วอุปกรณ์ชาร์จด้วยมือที่เปียก
6. อย่าเปลี่ยนแบตเตอรี่ด้วยมือที่เปียก
7. อย่าเปลี่ยนแบตเตอรี่กลางฝน
8. อย่าให้ขั้วแบตเตอรี่เปียกของเหลว เช่น น้ำ หรืออย่าให้แบตเตอรี่แช่ในน้ำ อย่างทั้งแบตเตอรี่ไว้กลางฝนและไม่ชาร์จ ใช้ หรือเก็บแบตเตอรี่ในสถานที่ที่ชื้นหรือเปียก หากขั้วเปียกหรือของเหลวเข้าไปด้านในแบตเตอรี่ แบตเตอรี่อาจลัดวงจร และมีความเสี่ยงที่จะเกิดความร้อนสูง ไฟไหม้ หรือระเบิดได้
9. หลังนำแบตเตอรี่ออกจากเครื่องมือหรือเครื่องชาร์จแล้ว ตรวจสอบให้แน่ใจว่าได้เก็บไว้ในที่แห้ง
10. หากตลับแบตเตอรี่เปียก ให้ระบายน้ำภายในออกแล้วเช็ดด้วยผ้าแห้ง ปล่อยให้ตลับแบตเตอรี่แห้งสนิทในที่แห้งก่อนใช้งาน

การซ่อมบำรุง

1. นำเครื่องมือไฟฟ้าเข้ารับบริการจากช่างซ่อมที่ผ่านการรับรองโดยช่างผู้เชี่ยวชาญเท่านั้น เพราะจะทำให้การใช้เครื่องมือไฟฟ้ามีความปลอดภัย
2. ห้ามใช้ชุดแบตเตอรี่ที่เสียหาย ชุดแบตเตอรี่ที่ใช้ควรเป็นชุดที่มาจากผู้ผลิต หรือผู้ให้บริการที่ได้รับอนุญาตเท่านั้น

ปฏิบัติตามคำแนะนำเหล่านี้

คำเตือน: อย่าให้ความไม่ระมัดระวังหรือความคุ้นเคยกับผลิตภัณฑ์ (จากการใช้งานซ้ำหลายครั้ง) อยู่เหนือการปฏิบัติตามกฎเกณฑ์ด้านความปลอดภัยในการใช้งานผลิตภัณฑ์อย่างเคร่งครัด

การใช้งานอย่างไม่เหมาะสมหรือการไม่ปฏิบัติตามกฎเกณฑ์ด้านความปลอดภัยในคู่มือการใช้งานนี้อาจทำให้ได้รับบาดเจ็บรุนแรง

คำแนะนำเพื่อความปลอดภัยที่สำคัญสำหรับดัลลิบแบตเตอรี่

1. ก่อนใช้งานดัลลิบแบตเตอรี่ให้อ่านคำแนะนำและเครื่องหมายเตือนทั้งหมดบน (1) เครื่องชาร์จแบตเตอรี่ (2) แบตเตอรี่ และ (3) ตัวผลิตภัณฑ์ที่ใช้แบตเตอรี่
2. อย่าถอดแยกชิ้นส่วนหรือทำการดัดแปลงดัลลิบแบตเตอรี่ เนื่องจากอาจทำให้เกิดไฟไหม้ ความร้อนที่สูงเกินไป หรือระเบิดได้
3. หากระยะเวลาที่เครื่องทำงานสั้นเกินไป ให้หยุดใช้งานทันที เนื่องจากอาจมีความเสี่ยงที่จะร้อนจัด ไหม้หรือระเบิดได้
4. หากสารละลายอิเล็กโทรไลต์กระเด็นเข้าตา ให้ล้างออกด้วยน้ำเปล่าและรีบไปพบแพทย์ทันที เนื่องจากอาจทำให้ตาบอด
5. ห้ามลัดวงจรดัลลิบแบตเตอรี่:
 - (1) ห้ามแตะขั้วกับวัตถุที่เป็นสื่อไฟฟ้าใดๆ
 - (2) หลีกเลี่ยงการเก็บดัลลิบแบตเตอรี่ไว้ในภาชนะร่วมกับวัตถุที่เป็นโลหะ เช่น กรรไกรตัดเล็บ เหรียญ ฯลฯ
 - (3) อย่าให้ดัลลิบแบตเตอรี่ถูกน้ำหรือฝน แบตเตอรี่ลัดวงจรอาจทำให้เกิดการไหลของกระแสไฟฟ้า ร้อนจัด ไหม้หรือเสียหายได้
6. ห้ามเก็บและใช้เครื่องมือและดัลลิบแบตเตอรี่ไว้ในสถานที่ที่มีอุณหภูมิสูงถึงหรือเกิน 50 °C (122 °F)

7. ห้ามเผาตลับแบตเตอรี่ทิ้ง แม้ว่าแบตเตอรี่จะเสียหายจนใช้การไม่ได้หรือเสื่อมสภาพแล้ว ตลับแบตเตอรี่อาจจะระเบิดในกองไฟ
8. อย่าถอดตะปู ตัด บด ขั้วง หรือทำดัลลิบแบตเตอรี่หล่นพื้น หรือกระแทกตลับแบตเตอรี่กับวัตถุของแข็ง การกระทำดังกล่าวอาจส่งผลให้เกิดไฟไหม้ ความร้อนที่สูงเกินไป หรือระเบิดได้
9. ห้ามใช้แบตเตอรี่ที่เสียหาย
10. แบตเตอรี่ลิเทียมไอออนที่มีมาให้มาเป็นไปตามข้อกำหนดของ Dangerous Goods Legislation สำหรับการขนส่งเพื่อการพาณิชย์ เช่น โดยบุคคลที่สาม ตัวแทนขนส่งสินค้า จะต้องตรวจสอบข้อกำหนดพิเศษในด้านการบรรจุหีบห่อหรือการติดป้ายสินค้าในการเตรียมสินค้าที่จะขนส่ง ให้ปรึกษาผู้เชี่ยวชาญด้านวัตถุอันตราย โปรดตรวจสอบข้อกำหนดในประเทศที่อาจมีรายละเอียดอื่น ๆ เพิ่มเติม ให้ติดเทปหรือปิดหน้าสัมผัสและห่อแบตเตอรี่ในลักษณะที่แบตเตอรี่จะไม่เคลื่อนที่ไปมาในหีบห่อ
11. เมื่อกำจัดดัลลิบแบตเตอรี่ ให้ถอดดัลลิบแบตเตอรี่ออกจากเครื่องมือและกำจัดในสถานที่ที่ปลอดภัย ปฏิบัติตามข้อบังคับในท้องถิ่นที่เกี่ยวกับการกำจัดแบตเตอรี่
12. ใช้แบตเตอรี่กับผลิตภัณฑ์ที่ระบุโดย Makita เท่านั้น การติดตั้งแบตเตอรี่ในผลิตภัณฑ์ที่ไม่ใช่ตามที่ระบุอาจทำให้เกิดไฟไหม้ ความร้อนสูง ระเบิด หรืออิเล็กทรอนิกส์ไหลได้
13. หากไม่ใช่เครื่องมือเป็นระยะเวลานาน จะต้องถอดแบตเตอรี่ออกจากเครื่องมือ
14. ในระหว่างและหลังการใช้งาน ดัลลิบแบตเตอรี่อาจร้อน ซึ่งอาจลวกผิวหรือทำให้ผิวไหม้ที่อุณหภูมิต่ำได้ โปรดระมัดระวังในการจัดการกับแบตเตอรี่ที่ร้อน
15. อย่าสัมผัสขั้วของเครื่องมือทันทีหลังจากการใช้งาน เนื่องจากอาจมีความร้อนพอที่จะทำให้ผิวไหม้ได้
16. อย่าปล่อยให้เศษวัสดุ ฝุ่นผง หรือดินเข้าไปติดอยู่ในขั้ว รู และร่องของดัลลิบแบตเตอรี่ เนื่องจากอาจทำให้เกิดความร้อน ไฟไหม้ ระเบิด และทำให้เครื่องมือหรือดัลลิบแบตเตอรี่ทำงานผิดปกติ ส่งผลให้โดนลวกหรือเกิดการบาดเจ็บได้
17. หากเครื่องมือไม่รองรับสายไฟแรงดันสูง อย่าใช้ดัลลิบแบตเตอรี่ใกล้กับสายไฟแรงดันสูง เนื่องจากเครื่องมือหรือดัลลิบแบตเตอรี่อาจทำงานผิดปกติหรือเสียหายได้
18. เก็บแบตเตอรี่ให้ห่างจากเด็ก

ปฏิบัติตามคำแนะนำเหล่านี้

⚠ ข้อควรระวัง: ใช้แบตเตอรี่ของแท้จาก Makita เท่านั้น การใช้แบตเตอรี่ Makita ที่ไม่แท้ หรือแบตเตอรี่ที่ถูกเปลี่ยน อาจทำให้แบตเตอรี่ระเบิด ก่อให้เกิดเพลิงลุกไหม้ การบาดเจ็บ และความเสียหายได้ และจะทำให้การรับประกันของ Makita สำหรับเครื่องมือและแท่นชาร์จของ Makita เป็นโมฆะด้วย

เคล็ดลับในการรักษาอายุการใช้งาน

ของแบตเตอรี่ให้ยาวนานที่สุด

1. ชาร์จตลับแบตเตอรี่ก่อนที่ไฟจะหมด หยุดการใช้งานแล้วชาร์จประจุไฟฟ้าใหม่ทุกครั้งเมื่อคุณรู้สึกว่าการชาร์จช้าลง
2. อย่าชาร์จตลับแบตเตอรี่ที่มีไฟเต็มแล้ว การชาร์จประจุไฟฟ้ามากเกินไปอาจจะทำให้อายุการใช้งานของตลับแบตเตอรี่สั้นลง
3. ชาร์จประจุไฟฟ้าตลับแบตเตอรี่ในห้องที่มีอุณหภูมิระหว่าง 10 °C - 40 °C ปล่อยให้ตลับแบตเตอรี่เย็นลงก่อนที่จะชาร์จไฟ
4. เมื่อไม่ใช่ตลับแบตเตอรี่ ให้ถอดออกจากเครื่องมือหรือเครื่องชาร์จ
5. ชาร์จไฟตลับแบตเตอรี่หากคุณไม่ต้องการใช้เป็นเวลานาน (เกินกว่าหกเดือน)

การประกอบ

⚠ ข้อควรระวัง: ตรวจสอบให้แน่ใจว่าได้ปิดสวิทช์เครื่องมือและถอดตลับแบตเตอรี่ออกก่อนดำเนินการใดๆ กับเครื่องมือเสมอ

การประกอบท่อเครื่องเป่าลม

1. คลายสกรูบนแคลมป์สาย
- ▶ **หมายเลข 1:** 1. สกรูยึด
2. ติดตั้งมือจับควบคุมเข้ากับท่อลม แล้วยึดสกรูบนแคลมป์ให้แน่น
- ▶ **หมายเลข 2:** 1. มือจับควบคุม 2. ท่อลม 3. สกรูยึด

ข้อสังเกต: ระวังอย่าบิดสายของมือจับควบคุมเมื่อต่อมือจับควบคุมเข้ากับท่อลม

3. คลายสกรูบนแคลมป์สาย จากนั้นต่อแคลมป์สายเข้ากับท่ออ่อน ต่อท่อลมเข้ากับท่ออ่อน จากนั้นขันสกรูบนแคลมป์สายให้แน่น
- ▶ **หมายเลข 3:** 1. ท่อลม 2. แคลมป์สาย 3. ท่อแบบยึดหยุ่น

4. คลายสกรูบนแคลมป์สาย จากนั้นต่อแคลมป์สายเข้ากับท่ออ่อน ต่อท่ออ่อนเข้ากับท่อโค้ง จากนั้นขันสกรูบนแคลมป์สายให้แน่น

▶ **หมายเลข 4:** 1. ท่ออ่อน 2. แคลมป์สาย 3. ข้อต่อ

ข้อสังเกต: ตรวจสอบให้แน่ใจว่าสกรูบนแคลมป์สายหันไปในทิศทางตามภาพ

▶ **หมายเลข 5:** 1. สกรู

5. ยึดสายควบคุมเข้ากับที่ยึดสาย

▶ **หมายเลข 6:** 1. ที่ยึดสายไฟ 2. สายไฟควบคุม

ข้อสังเกต: ตรวจสอบให้แน่ใจว่าสายควบคุมถูกยึดเข้ากับที่ยึดสายแน่นแล้ว

การติดตั้งปลายหัวฉีด

จัดเครื่องหมายสามเหลี่ยมบนปลายหัวฉีดให้ตรงกับเครื่องหมายสามเหลี่ยมบนท่อลม ต่อปลายหัวฉีดเข้ากับท่อลม แล้วหมุนปลายหัวฉีดให้ล็อกอยู่กับที่

▶ **หมายเลข 7:** 1. เครื่องหมายสามเหลี่ยม 2. ปลายหัวเป่า 3. ท่อลม

เมื่อต้องการถอดปลายหัวฉีด ให้ปฏิบัติย้อนขั้นตอนการติดตั้ง

หมายเหตุ: อาจปรับความยาวของหัวต่อได้โดยการขยับหัวต่อตามแบบในภาพ

▶ **หมายเลข 8:** 1. ปลายหัวเป่า 2. ท่อลม

การติดตั้งหัวเป่าแบบแบนหรือหัวเป่าเสริม

อุปกรณ์เสริม

หมายเหตุ: หากปลายหัวฉีดถูกติดตั้งไว้แล้ว ให้ถอดออกก่อนติดตั้งท่ออะแดปเตอร์

1. จัดเครื่องหมายสามเหลี่ยมบนท่ออะแดปเตอร์ให้ตรงกับส่วนที่ยื่นออกมาบนท่อลม ต่อท่ออะแดปเตอร์เข้ากับท่อลม แล้วหมุนเพื่อล็อกให้อยู่กับที่

▶ **หมายเลข 9:** 1. เครื่องหมายสามเหลี่ยม 2. ท่ออะแดปเตอร์ 3. ท่อลม

2. จัดเครื่องหมายสามเหลี่ยมบนหัวเป่าแบบแบนให้ตรงกับเครื่องหมายสามเหลี่ยมบนท่ออะแดปเตอร์ จากนั้นต่อหัวเป่าแบบแบนหรือหัวเป่าเสริมเข้ากับท่ออะแดปเตอร์ แล้วหมุนเพื่อล็อกให้อยู่กับที่

▶ **หมายเลข 10:** 1. หัวเป่าแบบแบน 2. หัวเป่าเสริม 3. ท่ออะแดปเตอร์ 4. เครื่องหมายสามเหลี่ยม

เมื่อต้องการถอดท่ออะแดปเตอร์ หัวเป่าแบบแบน หรือหัวเป่าเสริม ให้ปฏิบัติตามขั้นตอนการติดตั้ง

การปรับเข็มขัดและสายสะพายไหล่

1. สะพายเครื่อง จากนั้นล็อคหัวเข็มขัดของเข็มขัดคาดเอว แล้วปรับความยาวของเข็มขัดคาดเอว
▶ **หมายเลข 11:** 1. หัวเข็มขัด
2. ปรับความยาวของสายสะพายไหล่
▶ **หมายเลข 12:** 1. สายสะพายไหล่

การปรับตำแหน่งก้านควบคุม

- คลายสกรูกันคลาย เลื่อนมือจับควบคุมไปตามท่อหมุนไปในตำแหน่งที่คุณรู้สึกสบายที่สุด จากนั้นขันสกรูกันคลายให้แน่น
- ▶ **หมายเลข 13:** 1. มือจับควบคุม 2. ท่อหมุน 3. สกรูยึด

คำอธิบายการทำงาน

⚠ ข้อควรระวัง: ตรวจสอบให้แน่ใจเสมอว่าปิดสวิตช์เครื่องและนำด้ามแบตเตอรี่ออกแล้วก่อนทำการปรับหรือตรวจสอบฟังก์ชันของเครื่อง

การติดตั้งหรือถอดชุดต้นกำลังแบบพกพา

- ⚠ ข้อควรระวัง:** ปิดสวิตช์เครื่องก่อนทำการติดตั้งหรือการถอดชุดต้นกำลังแบบพกพาเสมอ
- ⚠ ข้อควรระวัง:** ถือเครื่องและชุดต้นกำลังแบบพกพาให้แน่นขณะติดตั้งหรือถอดชุดต้นกำลังแบบพกพา หากไม่ถือเครื่องและชุดต้นกำลังแบบพกพาให้แน่นอาจทำให้เครื่องและแบตเตอรี่สั้นหลุดออกจากมือของคุณ ซึ่งส่งผลให้เครื่องและชุดต้นกำลังแบบพกพาเสียหาย รวมถึงทำให้ได้รับบาดเจ็บได้
- ⚠ ข้อควรระวัง:** ตรวจสอบให้แน่ใจว่าชุดต้นกำลังแบบพกพาถูกติดตั้งกับเครื่องมือแน่นดีแล้ว ไม่เช่นนั้นด้ามแบตเตอรี่อาจหลุดออกจากเครื่องมือโดยไม่ได้ตั้งใจ ทำให้คุณหรือคนรอบข้างได้รับบาดเจ็บ
- ⚠ ข้อควรระวัง:** ก่อนการใช้งาน ตรวจสอบให้แน่ใจว่ายึดสายไฟกับที่ยึดสายไฟและใส่เบ้าปลั๊กเข้าไปในปลั๊กจนสุด

1. ดึงสายไฟในทิศทางตามภาพ เมื่อดึงสายไฟออกมาแล้ว ให้ใส่สายไฟเข้าไปในที่ยึดตามที่แสดงในภาพ
▶ **หมายเลข 14:** 1. สายไฟ 2. ที่ยึด

2. ติดตั้งชุดต้นกำลังแบบพกพาเข้ากับเครื่องมือตามที่แสดงในภาพ

▶ **หมายเลข 15:** 1. ชุดต้นกำลังแบบพกพา

⚠ ข้อควรระวัง: ระวังอย่าให้นิ้วหรือนิ้วหัวแม่มือถูกหนีบระหว่างชุดต้นกำลังแบบพกพาและเครื่องมือเมื่อทำการติดตั้งชุดต้นกำลังแบบพกพา

⚠ ข้อควรระวัง: ตรวจสอบให้แน่ใจว่าชุดต้นกำลังแบบพกพาถูกยึดกับเครื่องมือแน่นดีแล้ว ไม่เช่นนั้น ชุดต้นกำลังแบบพกพาอาจร่วงหล่นขณะที่คุณสะพายเครื่องมือหรือใช้เครื่องมือ และส่งผลให้ได้รับบาดเจ็บได้ หากยังเห็นชิลลีแสดงตามที่แสดงในภาพ แสดงว่าชุดต้นกำลังแบบพกพายังไม่ล็อคเข้าที่

▶ **หมายเลข 16:** 1. ชิลลีแดง

⚠ ข้อควรระวัง: ขณะถอดชุดต้นกำลังแบบพกพา ให้กดปุ่มล๊อคขณะที่จับมือจับไว้ให้แน่น

▶ **หมายเลข 17:** 1. มือจับ 2. ปุ่มล๊อค

3. ยึดสายไฟเข้ากับที่ยึดสายไฟตามที่แสดงในภาพ
▶ **หมายเลข 18:** 1. ที่ยึดสายไฟ 2. สายไฟ

4. เปิดฝารอบปลั๊ก จากนั้นให้ปรับตำแหน่งเครื่องหมายลูกศรบนเบ้าปลั๊กให้ตรงกับเครื่องหมายบนเครื่องมือแล้วจึงใส่เบ้าปลั๊กเข้าไปในปลั๊กจนสุด
▶ **หมายเลข 19:** 1. ฝารอบปลั๊ก 2. เบ้าปลั๊ก

ข้อสังเกต: ห้ามใส่เบ้าปลั๊กแรงๆ หากใส่เบ้าปลั๊กเข้าไปได้ยาก แสดงว่าใส่ไม่ถูกต้อง






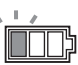
ข้อสังเกต: เมื่อถอดเบ้าปลั๊กออกจากปลั๊ก อย่าจับที่สายไฟแต่ให้จับที่เบ้าปลั๊ก ไม่เช่นนั้น สายไฟอาจเสียหายและส่งผลให้อุปกรณ์ทำงานผิดปกติได้

เมื่อต้องการถอดชุดต้นกำลังแบบพกพา ให้ปฏิบัติตามขั้นตอนการติดตั้ง

การระบุระดับพลังงานแบตเตอรี่ที่เหลืออยู่

- **หมายเลข 20:** 1. ไฟแสดงสถานะแบตเตอรี่ 2. ปุ่มตรวจสอบ

กดปุ่มตรวจสอบเพื่อดูความจุแบตเตอรี่ที่เหลืออยู่

สถานะของไฟแสดงสถานะแบตเตอรี่			ความจุแบตเตอรี่ที่เหลืออยู่
 สว่าง	 ดับ	 กระพริบ	
			50% ถึง 100%
			20% ถึง 50%
			0% ถึง 20%

หมายเหตุ: ไฟแสดงสถานะของความจุแบตเตอรี่ที่เหลืออยู่เป็นเพียงแค่อ้างอิง ความจุแบตเตอรี่จริงอาจแตกต่างกันไปขึ้นอยู่กับสภาวะการใช้งานหรืออุณหภูมิแวดล้อม

หมายเหตุ: ในขณะที่เครื่องมือทำงานอยู่ ไฟแสดงสถานะจะไม่สว่างขึ้นแม้ว่าคุณจะกดปุ่มตรวจสอบแล้ว

หมายเหตุ: ไฟแสดงสถานะจะดับลงอัตโนมัติในเวลาไม่กี่วินาที

ระบบป้องกันเครื่อง/แบตเตอรี่

เครื่องมือนี้มียระบบป้องกันเครื่อง/แบตเตอรี่ ระบบนี้จะตัดไฟที่ส่งไปยังมอเตอร์โดยอัตโนมัติเพื่อหยุดการใช้งานเครื่องมือและแบตเตอรี่ เครื่องจะหยุดทำงานระหว่างการใช้งานโดยอัตโนมัติ หากเครื่องหรือแบตเตอรี่อยู่ภายใต้สถานการณ์ต่อไปนี้

การป้องกันโอเวอร์โหลด

เมื่อแบตเตอรี่ทำงานในลักษณะที่ส่งผลให้ดึงกระแสไฟฟ้าสูงผิดปกติ เครื่องจะหยุดทำงานโดยอัตโนมัติและสัญญาณไฟหลักจะกะพริบเป็นสีเขียว ในกรณีเช่นนี้ ให้ปิดเครื่องและหยุดการใช้งานที่ทำให้เครื่องทำงานหนักเกินไป จากนั้นเปิดเครื่องเพื่อเริ่มการทำงานอีกครั้ง

หมายเหตุ: สัญญาณไฟหลักจะกะพริบเป็นสีเขียว และเครื่องจะหยุดอัตโนมัติหากใช้เครื่องทำงานต่อเนื่องเป็นเวลานาน ในกรณีนี้ ให้ปล่อยสวิตช์สั่งงานและดึงก้านควบคุมกลับจนสุด จากนั้นให้กดสวิตช์สั่งงานอีกครั้งเพื่อรีเซ็ตเครื่อง

การป้องกันความร้อนสูงเกิน

เมื่อเครื่องหรือตัวแบตเตอรี่เกิดความร้อนสูงเกินไป เครื่องจะหยุดทำงานโดยอัตโนมัติ และสัญญาณไฟหลักจะสว่างเป็นสีแดง ในกรณีเช่นนี้ให้ปล่อยให้เครื่องและแบตเตอรี่เย็นลงก่อนที่จะเปิดเครื่องอีกครั้ง

หมายเหตุ: ไฟหลักจะพริบเป็นสีแดงเมื่อแบตเตอรี่เกิดความร้อนสูงเกินไป

การป้องกันไฟหมด

เมื่อความจุแบตเตอรี่ไม่เพียงพอ เครื่องจะหยุดทำงานโดยอัตโนมัติ และสัญญาณไฟหลักจะกะพริบเป็นสีแดง ในกรณีดังกล่าว ให้ถอดแบตเตอรี่ออกจากเครื่อง แล้วนำแบตเตอรี่ไปชาร์จหรือเปลี่ยนแบตเตอรี่เป็นก้อนที่ชาร์จไฟเต็มแล้ว

การป้องกันจากสาเหตุอื่นๆ

ระบบป้องกันยังได้รับการออกแบบสำหรับสาเหตุอื่นๆ ที่อาจทำให้เครื่องเสียหายและช่วยให้เครื่องหยุดทำงานได้โดยอัตโนมัติ ให้ปฏิบัติตามขั้นตอนต่อไปนี้อย่างระมัดระวังเพื่อหยุดชะงักชั่วคราวหรือหยุดทำงาน

1. ปิดเครื่องแล้วเปิดใหม่เพื่อเริ่มใช้งานอีกครั้ง
2. ชาร์จหรือเปลี่ยนแบตเตอรี่โดยนำแบตเตอรี่ที่ชาร์จแล้วมาใช้แทน
3. ปล่อยให้เครื่องและแบตเตอรี่เย็นลง

หากอาการไม่ดีขึ้นเมื่อเปิดระบบป้องกันอีกครั้ง ให้ติดต่อศูนย์บริการ Makita ใกล้บ้านคุณ

ข้อสังเกต: หากเครื่องหยุดทำงานเนื่องจากสาเหตุที่ไม่ได้ระบุไว้ด้านบน โปรดอ้างอิงสแกนการแก้ไขปัญหา

สวิตช์ไฟหลัก

คำเตือน: ปิดสวิตช์ไฟหลักเสมอเมื่อไม่ได้ใช้งาน

การเปิดเครื่อง ให้กดสวิตช์ไฟหลัก เมื่อต้องการปิด ให้กดสวิตช์ไฟหลักอีกครั้ง

- **หมายเลข 21:** 1. สัญญาณไฟหลัก 2. สวิตช์ไฟหลัก

หมายเหตุ: เครื่องนี้มีฟังก์ชันปิดเครื่องอัตโนมัติ เพื่อหลีกเลี่ยงการเริ่มใช้งานเครื่องมือโดยไม่ได้ตั้งใจ สวิตช์ไฟหลักจะปิดโดยอัตโนมัติเมื่อไม่ได้ใช้งานเครื่องมือเป็นระยะเวลาหนึ่งหลังจากเปิดสวิตช์ไฟหลักแล้ว

หมายเหตุ: หากสัญญาณไฟหลักสว่างขึ้นเป็นสีแดงหรือกะพริบเป็นสีแดงหรือสีเขียว โปรดดูคำแนะนำการใช้งานเกี่ยวกับระบบป้องกันเครื่อง/แบตเตอรี่

การทำงานของสวิตช์

คำเตือน: ก่อนเชื่อมต่อชุดต้นกำลังแบบพกพาเข้ากับเครื่องมือ ให้ตรวจสอบว่าสวิตช์สั่งงานสามารถทำงานได้อย่างถูกต้อง และกลับไปยังตำแหน่ง “ปิด” เมื่อปล่อย

การเริ่มใช้งานเครื่อง เพียงแคกดสวิตช์สั่งงานเท่านั้น ความเร็วจะเพิ่มขึ้นเมื่อออกแรงกดที่สวิตช์สั่งงานแรงขึ้น ปล่อยสวิตช์สั่งงานเพื่อหยุดเครื่องมือ

▶ หมายเลข 22: 1. สวิตช์สั่งงาน

ฟังก์ชันควบคุมความเร็วอัตโนมัติ

ฟังก์ชันควบคุมความเร็วอัตโนมัติช่วยให้ผู้ปฏิบัติงานรักษาความเร็วได้คงที่โดยไม่ต้องเหนียวไก ในการเพิ่มความเร็วยังให้หมุดกันควบคุมไปข้างหน้า ในการลดความเร็วให้หมุดกันควบคุมไปข้างหลัง

▶ หมายเลข 23: 1. ก้านควบคุม

ระบบไฟฟ้า

เครื่องนี้มีฟังก์ชันอิเล็กทรอนิกส์สำหรับการใช้งานที่ปลอดภัย

- ระบบควบคุมความเร็วคงที่
- ระบบควบคุมความเร็วช่วยให้ระบบควบคุมความเร็วคงที่ได้ไม่ว่าจะอยู่ในสภาวะการทำงานใดๆ

ฟังก์ชันป้องกันการรีสตาร์ทโดยอัตโนมัติ

เมื่อคุณเปิดเครื่องมือในขณะที่กดสวิตช์สั่งงาน เครื่องมือจะไม่เริ่มทำงานและสัญญาณไฟหลักจะกะพริบเป็นสีเขียว เพื่อเริ่มใช้งานเครื่องมือ อันดับแรกให้ปล่อยสวิตช์สั่งงานและเลื่อนก้านควบคุมกลับตำแหน่งเดิมจนสุด จากนั้นจึงเปิดเครื่องมือ

การใช้งาน

ข้อควรระวัง: เมื่อสะพายเครื่องมือ ตรวจสอบให้แน่ใจว่าได้สะพายสายสะพายไหล่เข้ากับไหล่ทั้งสองข้างของคุณ ไม่เช่นนั้น เครื่องมืออาจร่วงหล่นขณะที่คุณสะพายหรือใช้เครื่องมือ และส่งผลให้ได้รับบาดเจ็บได้

ข้อควรระวัง: เมื่อสะพายเครื่องมือ ตรวจสอบให้แน่ใจว่าได้สะพายเครื่องมือบนหลังของคุณ ไม่เช่นนั้น อุปกรณ์อาจร่วงหล่นในระหว่างการใช้งาน และส่งผลให้ได้รับบาดเจ็บได้

ข้อควรระวัง: อย่าวางเครื่องมือลงบนพื้นขณะที่เครื่องมือทำงานอยู่ ทรายหรือฝุ่นอาจเข้ามาทางช่องดูดลมและทำให้เกิดความผิดปกติหรือได้รับบาดเจ็บได้

1. กดปุ่มไฟหลักบนชุดต้นกำลังแบบพกพา สัญญาณไฟหลักจะสว่างขึ้น

▶ หมายเลข 24: 1. ปุ่มไฟหลัก 2. สัญญาณไฟหลัก

2. สะพายสายสะพายไหล่ของเครื่องมือและลือคหัวเข็มขัดบนเข็มขัดคาดเอว

3. กดที่สวิตช์ไฟหลักเพื่อเปิดเครื่อง

เครื่องพร้อมทำงานแล้ว เครื่องจะทำงานเมื่อคุณดึงสวิตช์สั่งงาน

▶ หมายเลข 25: 1. สวิตช์ไฟหลัก

จับมือจับควบคุมให้แน่นและทำการเป่าโดยเคลื่อนที่ไปรอบๆ อย่างช้าๆ เมื่อเป่าลมไปรอบๆ อาคาร หินขนาดใหญ่ หรือยานพาหนะ ให้หันหัวเป่าออกไปจากสิ่งนั้นๆ เมื่อทำการปฏิบัติงานพื้นที่มุม ให้เริ่มจากมุมแล้วค่อยย้ายไปยังพื้นที่กว้าง

▶ หมายเลข 26

เมื่อวางเครื่องมือลง ให้ปลดลือคหัวเข็มขัดของเข็มขัดคาดเอว แล้ววางเครื่องมือลงอย่างช้าๆ

▶ หมายเลข 27: 1. หัวเข็มขัด

การบำรุงรักษา

ข้อควรระวัง: ตรวจสอบให้แน่ใจเสมอว่าปิดสวิตช์เครื่องและถอดลิ้นเบตเตอร์ออกแล้วก่อนดำเนินการตรวจสอบหรือบำรุงรักษา

เพื่อความปลอดภัยและนำเชื้อถือของผลิตภัณฑ์ ควรให้ศูนย์บริการหรือโรงงานที่ผ่านการรับรองจาก Makita เป็นผู้ดำเนินการซ่อมแซม บำรุงรักษาและทำการปรับตั้งอื่นๆ นอกจากนี้ให้ใช้อะไหล่ของแท้จาก Makita เสมอ

การทำความสะอาดเครื่องมือ

ข้อสังเกต: อย่าใช้น้ำมันเชื้อเพลิง เบนซิน ทินเนอร์ แอลกอฮอล์ หรือวัสดุประเภทเดียวกัน เนื่องจากอาจทำให้ลื่นลื่น เสียหาย หรือแตกร้าวได้

ทำความสะอาดเครื่องโดยเช็ดฝุ่นออกด้วยผ้าแห้งหรือผ้าชุบน้ำสบู่อุดหมาด

ทำความสะอาดฝุ่นหรือสิ่งสกปรกออกจากช่องดูดฝุ่น

▶ หมายเลข 28: 1. ช่องดูดฝุ่น

การเก็บรักษา

ข้อสังเกต: ตรวจสอบให้แน่ใจว่าได้ปิดฝาครอบปลั๊กแล้ว ก่อนจัดเก็บเครื่องมือ หากฝาครอบปลั๊กเปิดอยู่หรือปิดไม่สนิท ฝุ่นอาจเข้าไปในเครื่องมือและทำให้เครื่องมือทำงานผิดปกติได้

ก่อนจัดเก็บเครื่องมือ ให้ดึงปลั๊กออกจากเบ้าปลั๊กและทำการบำรุงรักษาอย่างครบถ้วน เก็บเครื่องไว้ในที่ที่เด็กเอื้อมไม่ถึงและไม่สัมผัสกับความชื้น ฝน หรือแดดส่องโดยตรง คุณสามารถเชื่อมต่อสายรัดของท่อเข้ากับเครื่องมือตามที่แสดงในภาพเพื่อตั้งท่อขึ้น

► **หมายเลข 29:** 1. เบ้าปลั๊ก 2. ฝาครอบปลั๊ก 3. สายรัด

การแก้ไขปัญหา

ก่อนนำไปซ่อม ให้ทำการตรวจสอบด้วยตัวเองก่อน หากพบปัญหาที่ไม่มีอธิบายในคู่มือการใช้งาน อย่าพยายามถอดแยกเครื่อง โปรดสอบถามศูนย์บริการที่ได้รับบริการรับรองของ Makita และใช้อะไหล่ทดแทนของ Makita ในการซ่อมแซมเสมอ

สภาวะความผิดปกติ	สาเหตุที่เป็นไปได้ (การทำงานผิดปกติ)	การแก้ไข
มอเตอร์ไม่ทำงาน	ไม่มีแบตเตอรี่ติดตั้งอยู่	ติดตั้งแบตเตอรี่
	ปัญหาแบตเตอรี่ (ไฟต่ำ)	ชาร์จแบตเตอรี่ใหม่ หากการชาร์จแบตเตอรี่ใหม่ไม่ได้ผล ให้เปลี่ยนแบตเตอรี่
	ระบบขับเคลื่อนไม่ทำงานอย่างถูกต้อง	สอบถามศูนย์บริการที่ผ่านการรับรองจาก Makita ในท้องถิ่นให้ทำการซ่อมแซมให้
มอเตอร์หยุดทำงานหลังจากใช้งานไปได้เล็กน้อย	ระดับการชาร์จของแบตเตอรี่ต่ำ	ชาร์จแบตเตอรี่ใหม่ หากการชาร์จแบตเตอรี่ใหม่ไม่ได้ผล ให้เปลี่ยนแบตเตอรี่
	ความร้อนสูงเกิน	หยุดใช้เครื่องเพื่อให้เครื่องเย็นลง
เครื่องไม่ทำงานถึงความเร็วสูงสุด	แบตเตอรี่ติดตั้งอย่างไม่ถูกต้อง	ติดตั้งแบตเตอรี่ตามที่อธิบายในคู่มือการใช้งานนี้
	กำลังของแบตเตอรี่ต่ำลง	ชาร์จแบตเตอรี่ใหม่ หากการชาร์จแบตเตอรี่ใหม่ไม่ได้ผล ให้เปลี่ยนแบตเตอรี่
	ระบบขับเคลื่อนไม่ทำงานอย่างถูกต้อง	สอบถามศูนย์บริการที่ผ่านการรับรองจาก Makita ในท้องถิ่นให้ทำการซ่อมแซมให้
การสั่นสะเทือนผิดปกติ ⇒ หยุดเครื่องมือทันที!	ระบบขับเคลื่อนไม่ทำงานอย่างถูกต้อง	สอบถามศูนย์บริการที่ผ่านการรับรองจาก Makita ในท้องถิ่นให้ทำการซ่อมแซมให้
มอเตอร์ไม่สามารถหยุด ⇒ ถอดแบตเตอรี่ทันที!	ชิ้นส่วนไฟฟ้าหรืออิเล็กทรอนิกส์ทำงานผิดปกติ	ถอดแบตเตอรี่และสอบถามศูนย์บริการที่ผ่านการรับรองจาก Makita ในท้องถิ่นให้ทำการซ่อมแซมให้

อุปกรณ์เสริม

⚠ ข้อควรระวัง: อุปกรณ์เสริมหรืออุปกรณ์ต่อพ่วงเหล่านี้ได้รับการแนะนำสำหรับใช้งานกับผลิตภัณฑ์ Makita ของคุณที่ระบุไว้ในคู่มือนี้ การใช้อุปกรณ์เสริมหรืออุปกรณ์ต่อพ่วงอื่นๆ อาจทำให้ได้รับบาดเจ็บได้ ใช้อุปกรณ์เสริมหรืออุปกรณ์ต่อพ่วงตามวัตถุประสงค์ที่ระบุไว้เท่านั้น

- หัวเป่าเสริม
- หัวเป่าแบบแบน
- ท่ออะแดปเตอร์
- แบตเตอรี่และเครื่องชาร์จ Makita ของแท้

หมายเหตุ: อุปกรณ์บางชิ้นในรายการอาจมีมาให้ในชุดผลิตภัณฑ์เป็นอุปกรณ์มาตรฐาน ซึ่งอาจแตกต่างกันไปในแต่ละประเทศ

หากต้องการทราบรายละเอียดเพิ่มเติมเกี่ยวกับอุปกรณ์เสริมเหล่านี้ โปรดสอบถามศูนย์บริการ Makita ใกล้บ้านคุณ

Makita Corporation
3-11-8, Sumiyoshi-cho,
Anjo, Aichi 446-8502 Japan
www.makita.com

885979-371
EN, ZHCN, ID, MS,
VI, TH
20220329