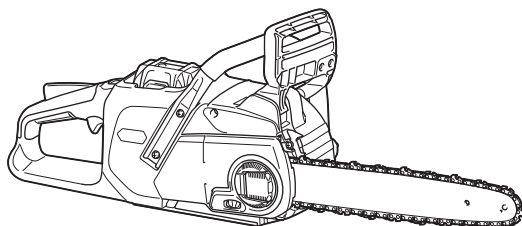




EN	Cordless Chain Saw	INSTRUCTION MANUAL	10
SL	Brezlična verižna žaga	NAVODILA ZA UPORABO	23
SQ	Sharrë me zinxhir me bateri	MANUALI I PËRDORIMIT	36
BG	Акумулаторен верижен трион	РЪКОВОДСТВО ЗА ЕКСПЛОАТАЦИЯ	50
HR	Bežična lančana pila	PRIRUČNIK S UPUTAMA	65
MK	Безжична моторна пила	УПАТСТВО ЗА УПОТРЕБА	78
SR	Бежична ланчана тестера	УПУТСТВО ЗА УПОТРЕБУ	93
RO	Ferăstrău cu lanț cu acumulator	MANUAL DE INSTRUCȚIUNI	107
UK	Бездротова ланцюгова пила	ІНСТРУКЦІЯ З ЕКСПЛУАТАЦІЇ	122
RU	Цепная пила с питанием от аккумуляторной батареи	РУКОВОДСТВО ПО ЭКСПЛУАТАЦИИ	137

UC014G
UC015G
UC016G
UC017G



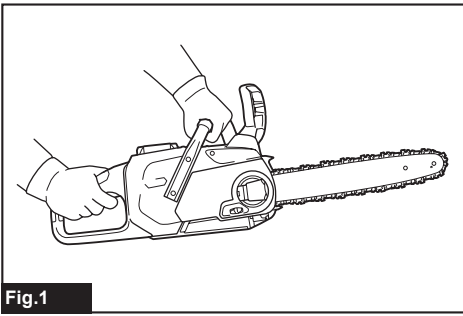


Fig.1

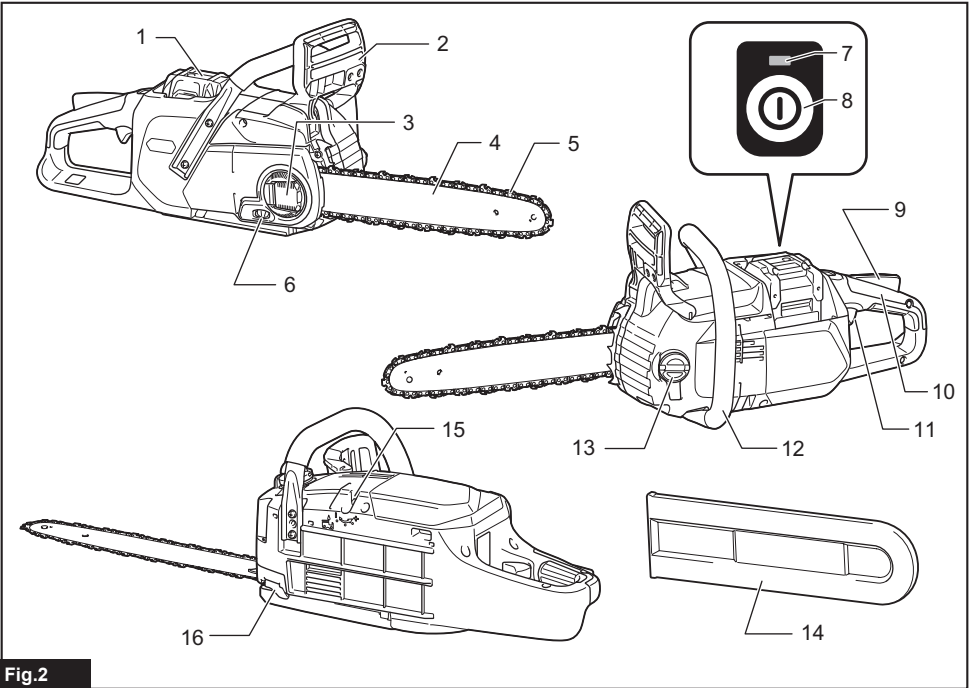


Fig.2

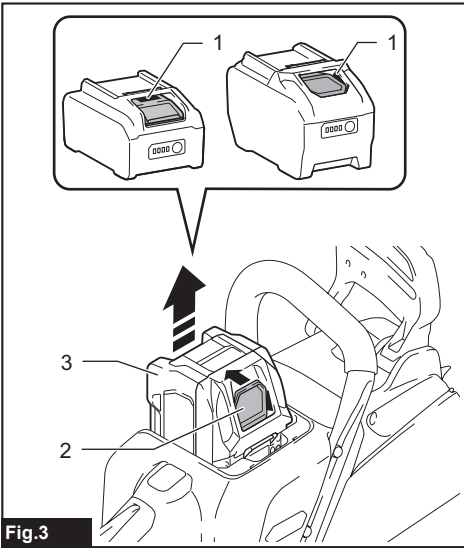


Fig.3

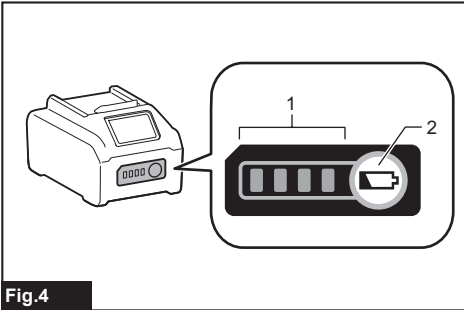


Fig.4

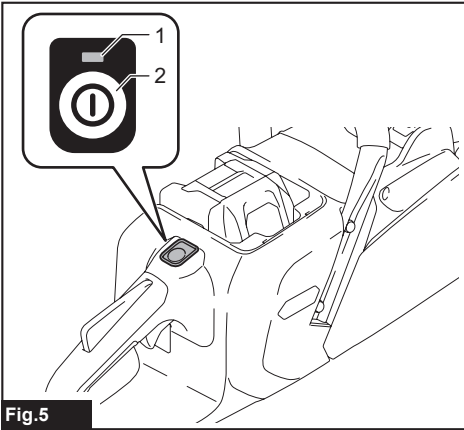


Fig.5

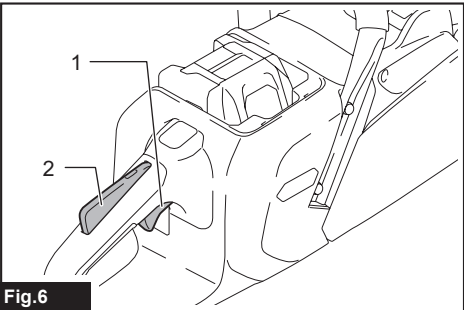


Fig.6

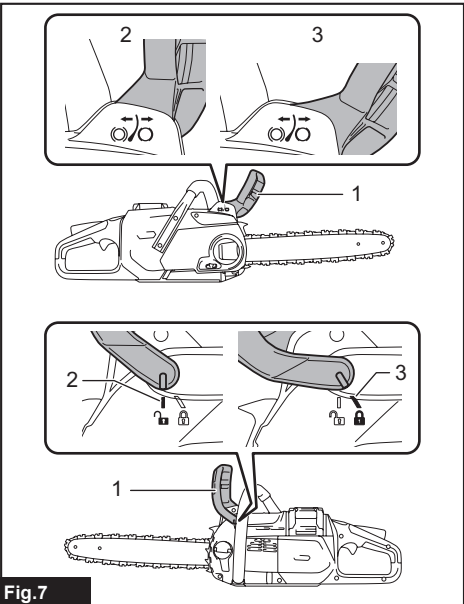


Fig.7

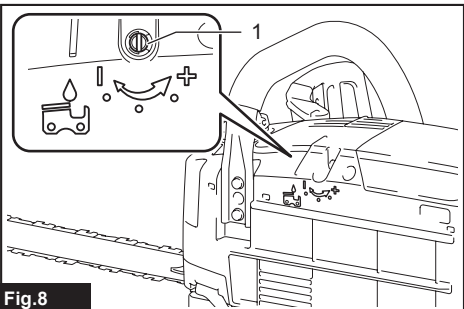


Fig.8

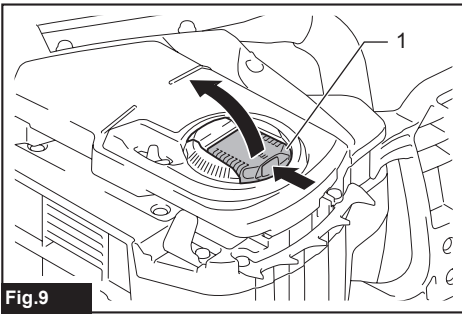


Fig.9

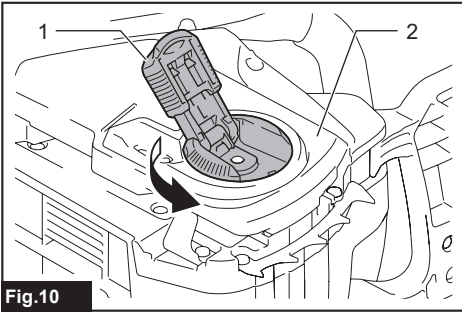


Fig.10

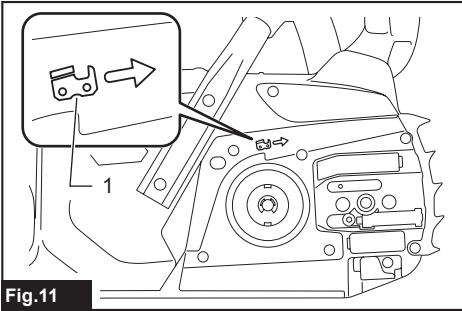


Fig.11

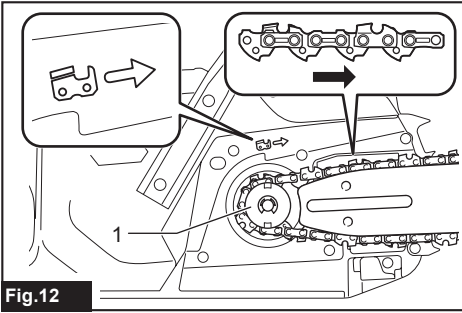


Fig.12

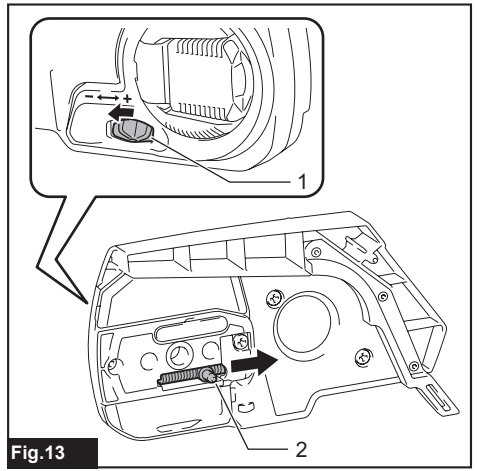


Fig.13

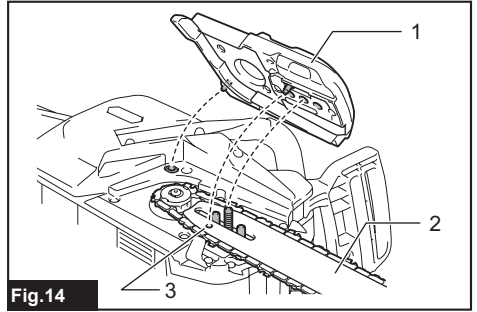


Fig.14

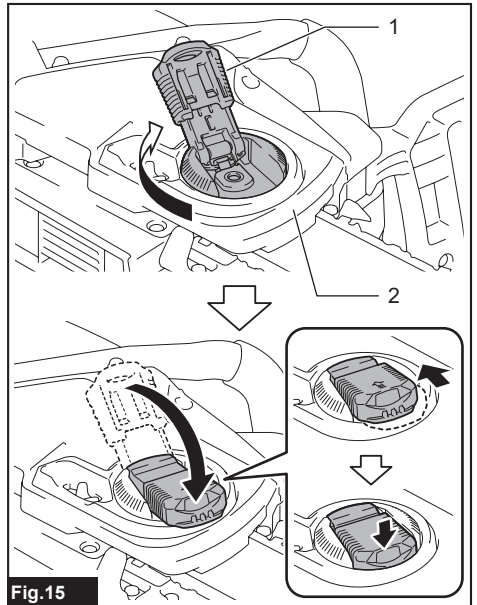
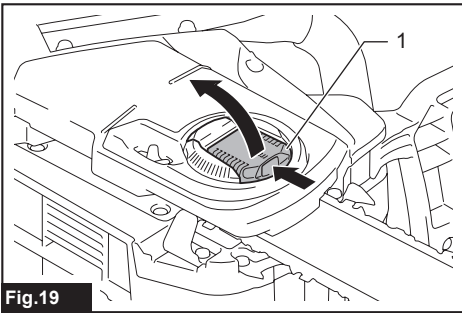
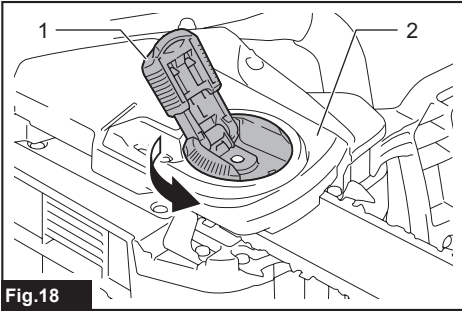
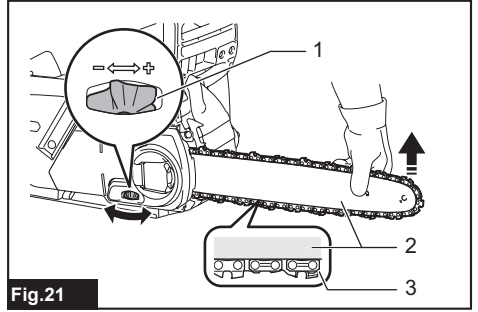
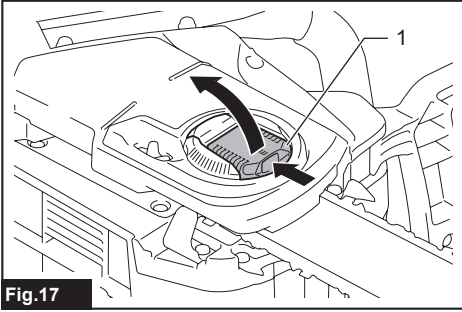
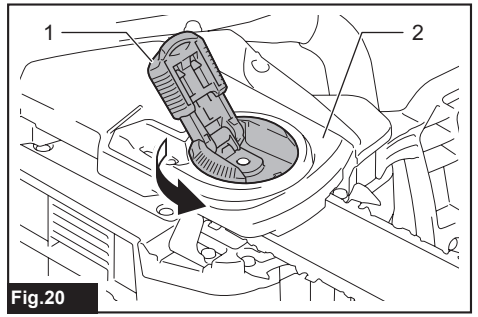
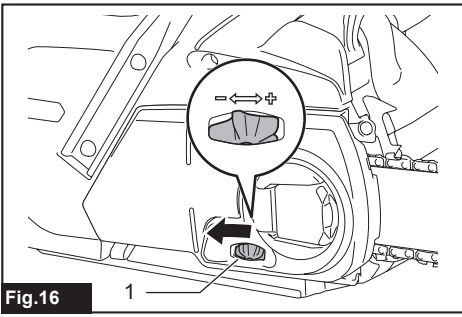


Fig.15



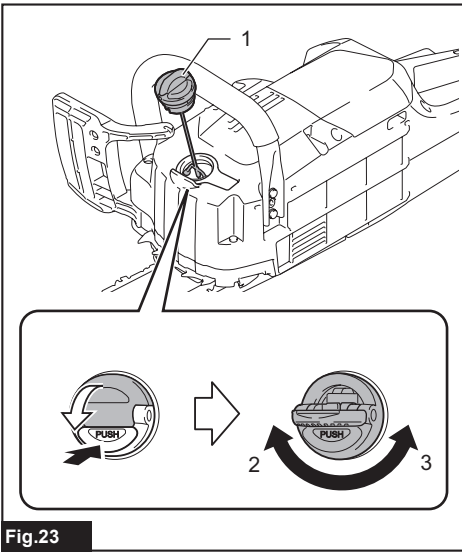


Fig. 23

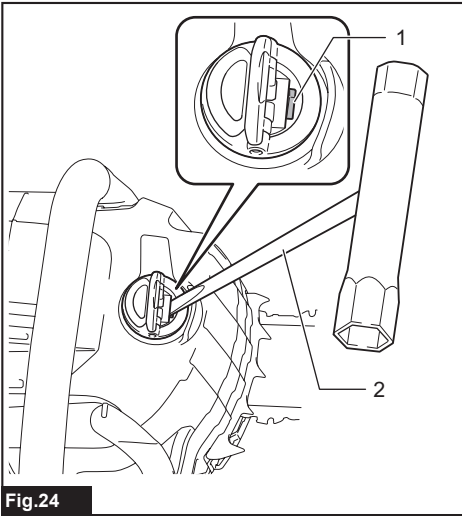


Fig. 24

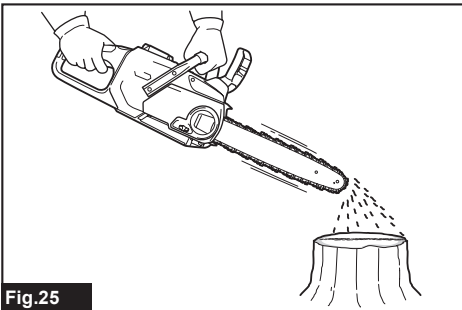


Fig. 25

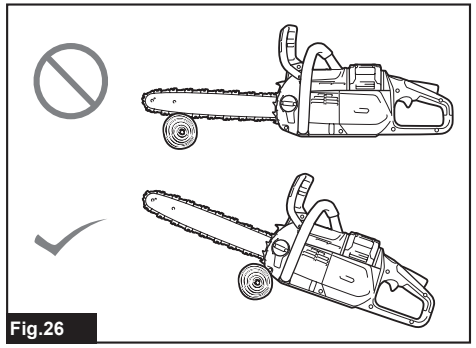


Fig. 26

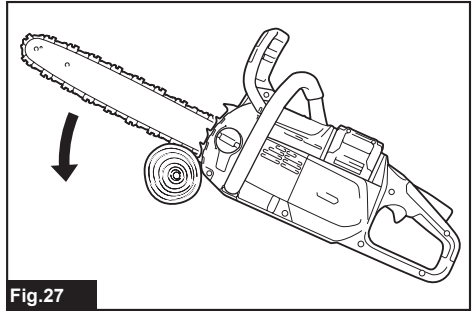


Fig. 27

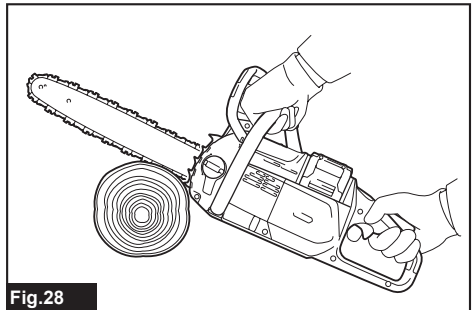


Fig. 28

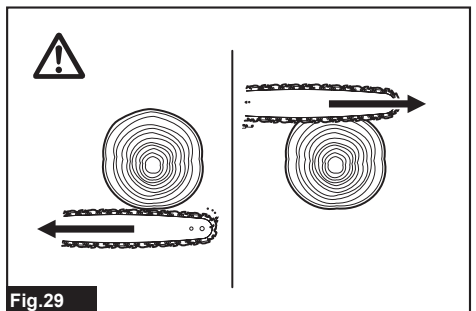


Fig. 29

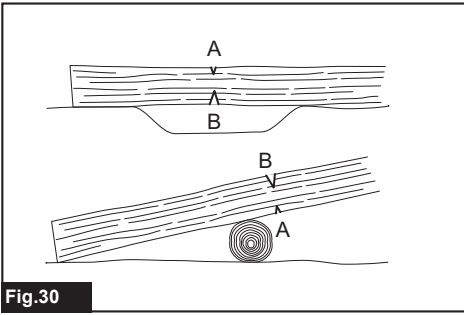


Fig.30

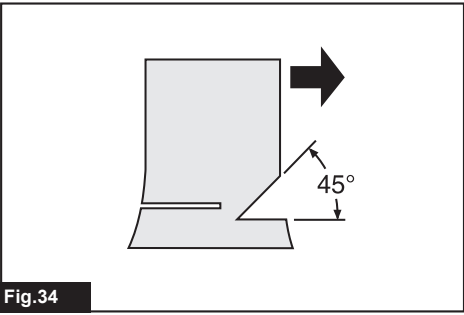


Fig.34

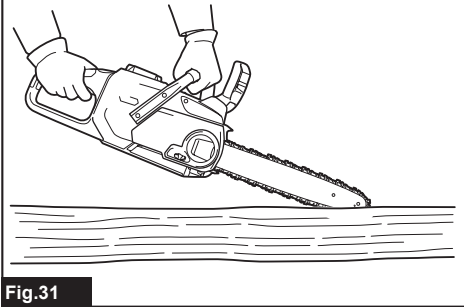


Fig.31

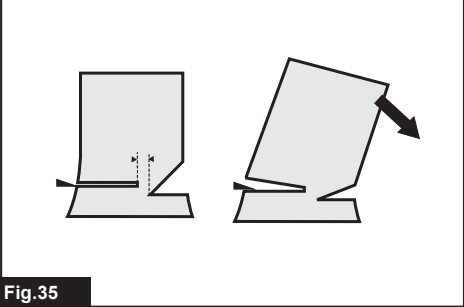


Fig.35

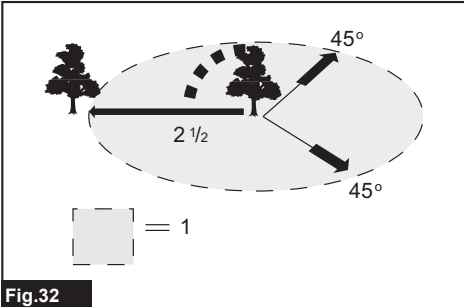


Fig.32

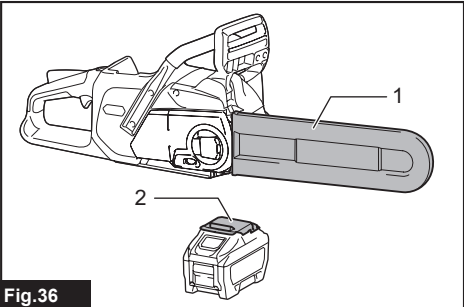


Fig.36

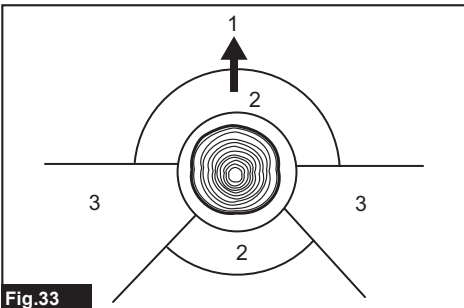


Fig.33

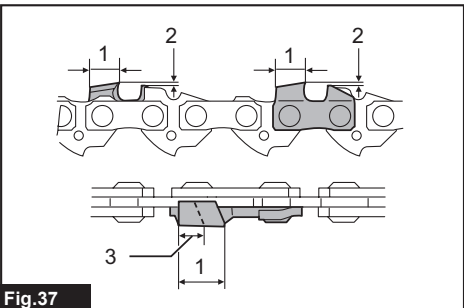
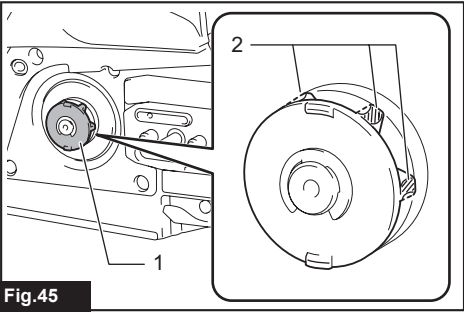
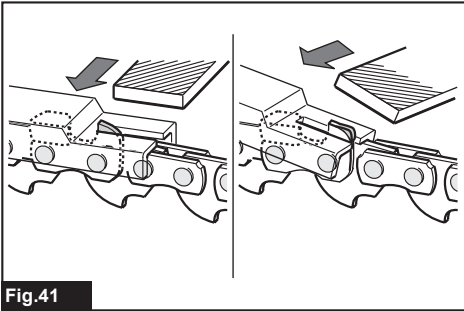
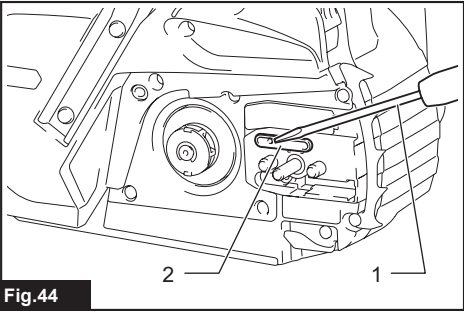
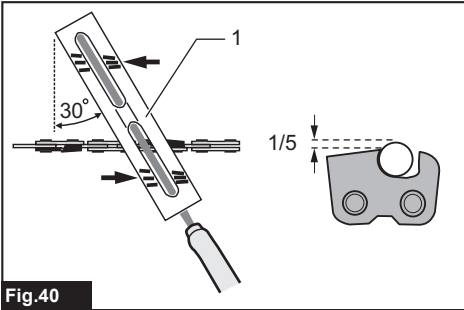
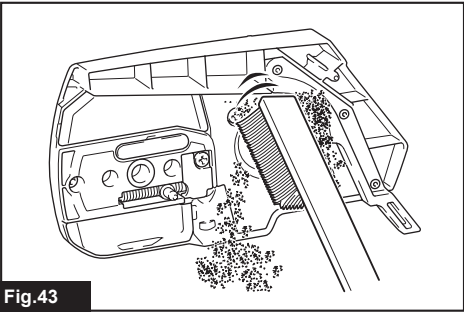
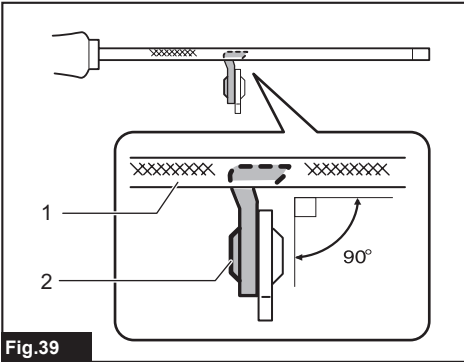
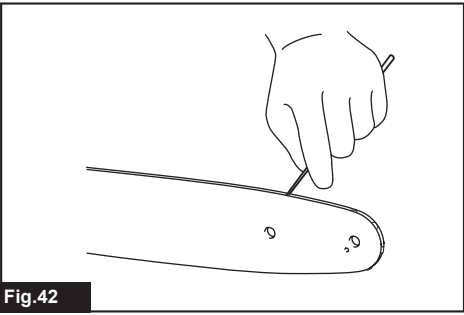
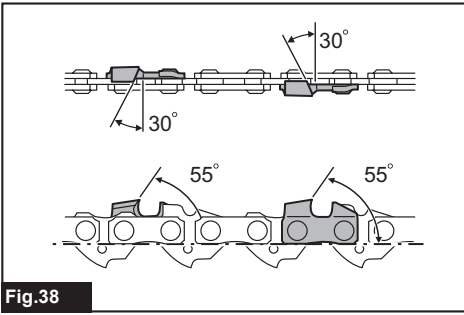


Fig.37



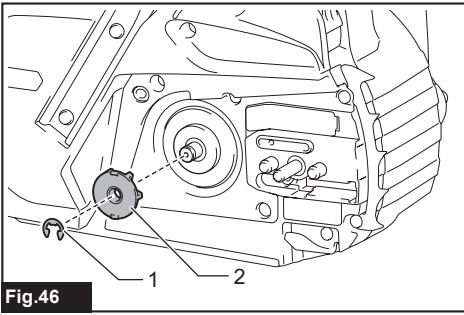


Fig.46

SPECIFICATIONS

Model:		UC014G	UC015G	UC016G	UC017G
Overall length (without guide bar)		445 mm			
Rated voltage		D.C. 36 V - 40 V max			
Net weight	*1	4.5 kg			
	*2	6.2 - 6.9 kg			
Standard guide bar length		300 mm	350 mm	400 mm	450 mm
Recommended guide bar length		300 - 450 mm			
Applicable saw chain type (refer to the table below)		91PX 80TXL			
Sprocket (91PX)	Number of teeth	6			
	Pitch	3/8"			
Sprocket (80TXL)	Number of teeth	7			
	Pitch	0.325"			
Chain speed		0 - 25.5 m/s (0 - 1,530 m/min)			
Chain oil tank volume		260 cm ³			
Protection degree		IPX4			

- Due to our continuing program of research and development, the specifications herein are subject to change without notice.

- Specifications may differ from country to country.

*1: Weight, without the saw chain, guide bar, guide bar cover, oil and battery cartridge(s).

*2: The lightest and heaviest combination of weight, according to EPTA-Procedure 01/2014. The weight may differ depending on the attachment(s), including the battery cartridge(s).

Saw chain, guide bar, and sprocket combination

Saw chain type		91PX			
Number of drive links		46	52	56	62
Guide bar	Guide bar length	300 mm	350 mm	400 mm	450 mm
	Cutting length	268 mm	324 mm	361 mm	418 mm
	Pitch	3/8"			
	Gauge	1.3 mm			
	Type	Sprocket nose bar			
Sprocket	Number of teeth	6			
	Pitch	3/8"			

Saw chain type		80TXL			
Number of drive links		51	59	64	70
Guide bar	Guide bar length	300 mm	350 mm	400 mm	450 mm
	Cutting length	259 mm	325 mm	366 mm	416 mm
	Pitch	0.325"			
	Gauge	1.1 mm			
	Type	Sprocket nose bar			
Sprocket	Number of teeth	7			
	Pitch	0.325"			

⚠ WARNING: Use appropriate combination of the guide bar and saw chain. Otherwise personal injury may result.

Applicable battery cartridge and charger

Battery cartridge	BL4040 / BL4050F* *: Recommended battery
Charger	DC40RA / DC40RB / DC40RC

- Some of the battery cartridges and chargers listed above may not be available depending on your region of residence.

⚠ WARNING: Only use the battery cartridges and chargers listed above. Use of any other battery cartridges and chargers may cause injury and/or fire.








Recommended cord connected power source

Portable power pack	PDC01
---------------------	-------

- The cord connected power source(s) listed above may not be available depending on your region of residence.
- Before using the cord connected power source, read instruction and cautionary markings on them.

Symbols

The followings show the symbols which may be used for the equipment. Be sure that you understand their meaning before use.

	Read instruction manual.
	Wear safety glasses.
	Wear ear protection.
	Wear a helmet, goggles and ear protection.
	Maximum permissible cut length
	Always use two hands when operating the chain saw.
	Beware of chain saw kickback and avoid contact with bar tip.
	Direction of chain travel
	Saw chain oil adjustment
	<p>Only for EU countries</p> <p>Due to the presence of hazardous components in the equipment, waste electrical and electronic equipment, accumulators and batteries may have a negative impact on the environment and human health. Do not dispose of electrical and electronic appliances or batteries with household waste! In accordance with the European Directive on waste electrical and electronic equipment and on accumulators and batteries and waste accumulators and batteries, as well as their adaptation to national law, waste electrical equipment, batteries and accumulators should be stored separately and delivered to a separate collection point for municipal waste, operating in accordance with the regulations on environmental protection. This is indicated by the symbol of the crossed-out wheeled bin placed on the equipment.</p>



Guaranteed sound power level according to EU Outdoor Noise Directive.



Sound power level according to Australia NSW Noise Control Regulation.

Intended use

This chain saw is intended for sawing wood.

Noise

The typical A-weighted noise level determined according to EN62841-4-1:

Model UC014G

Sound pressure level (L_{pA}): 91 dB(A)

Sound power level (L_{WA}): 102 dB (A)

Uncertainty (K): 3 dB(A)

Model UC015G

Sound pressure level (L_{pA}): 91 dB(A)

Sound power level (L_{WA}): 102 dB (A)

Uncertainty (K): 3 dB(A)

Model UC016G

Sound pressure level (L_{pA}): 91 dB(A)

Sound power level (L_{WA}): 102 dB (A)

Uncertainty (K): 3 dB(A)

Model UC017G

Sound pressure level (L_{pA}): 91 dB(A)

Sound power level (L_{WA}): 102 dB (A)

Uncertainty (K): 3 dB(A)

NOTE: The declared noise emission value(s) has been measured in accordance with a standard test method and may be used for comparing one tool with another.

NOTE: The declared noise emission value(s) may also be used in a preliminary assessment of exposure.

⚠ WARNING: Wear ear protection.

⚠ WARNING: The noise emission during actual use of the power tool can differ from the declared value(s) depending on the ways in which the tool is used especially what kind of workpiece is processed.

⚠ WARNING: Be sure to identify safety measures to protect the operator that are based on an estimation of exposure in the actual conditions of use (taking account of all parts of the operating cycle such as the times when the tool is switched off and when it is running idle in addition to the trigger time).

Vibration

The vibration total value (tri-axial vector sum) determined according to EN62841-4-1:

Model UC014G

Work mode: cutting wood

Vibration emission ($a_{h,w}$): 5.0 m/s²

Uncertainty (K): 1.5 m/s²

Model UC015G

Work mode: cutting wood

Vibration emission ($a_{h,w}$): 5.0 m/s²

Uncertainty (K): 1.5 m/s²

Model UC016G

Work mode: cutting wood

Vibration emission ($a_{h,w}$): 5.0 m/s²

Uncertainty (K): 1.5 m/s²

Model UC017G

Work mode: cutting wood

Vibration emission ($a_{h,w}$): 5.0 m/s²

Uncertainty (K): 1.5 m/s²

NOTE: The declared vibration total value(s) has been measured in accordance with a standard test method and may be used for comparing one tool with another.

NOTE: The declared vibration total value(s) may also be used in a preliminary assessment of exposure.

⚠ WARNING: The vibration emission during actual use of the power tool can differ from the declared value(s) depending on the ways in which the tool is used especially what kind of workpiece is processed.

⚠ WARNING: Be sure to identify safety measures to protect the operator that are based on an estimation of exposure in the actual conditions of use (taking account of all parts of the operating cycle such as the times when the tool is switched off and when it is running idle in addition to the trigger time).

EC Declaration of Conformity

For European countries only

The EC declaration of conformity is included as Annex A to this instruction manual.

SAFETY WARNINGS

General power tool safety warnings

⚠ WARNING: Read all safety warnings, instructions, illustrations and specifications provided with this power tool. Failure to follow all instructions listed below may result in electric shock, fire and/or serious injury.

Save all warnings and instructions for future reference.

The term "power tool" in the warnings refers to your mains-operated (corded) power tool or battery-operated (cordless) power tool.

General chain saw safety warnings

1. **Keep all parts of the body away from the saw chain when the chain saw is operating. Before you start the chain saw, make sure the saw chain is not contacting anything.** A moment of inattention while operating chain saws may cause entanglement of your clothing or body with the saw chain.
2. **Always hold the chain saw with your right hand on the rear handle and your left hand on the front handle.** Holding the chain saw with a reversed hand configuration increases the risk of personal injury and should never be done.
3. **Hold the chain saw by insulated gripping surfaces only, because the saw chain may contact hidden wiring.** Saw chains contacting a "live" wire may make exposed metal parts of the chain saw "live" and could give the operator an electric shock.
4. **Wear eye protection. Further protective equipment for hearing, head, hands, legs and feet is recommended.** Adequate protective equipment will reduce personal injury from flying debris or accidental contact with the saw chain.
5. **Do not operate a chain saw in a tree, on a ladder, from a rooftop, or any unstable support.** Operation of a chain saw in this manner could result in serious personal injury.
6. **Always keep proper footing and operate the chain saw only when standing on fixed, secure and level surface.** Slippery or unstable surfaces may cause a loss of balance or control of the chain saw.
7. **When cutting a limb that is under tension, be alert for spring back.** When the tension in the wood fibres is released, the spring loaded limb may strike the operator and/or throw the chain saw out of control.
8. **Use extreme caution when cutting brush and saplings.** The slender material may catch the saw chain and be whipped toward you or pull you off balance.
9. **Carry the chain saw by the front handle with the chain saw switched off and away from your body. When transporting or storing the chain saw, always fit the guide bar cover.** Proper handling of the chain saw will reduce the likelihood of accidental contact with the moving saw chain.

10. **Follow instructions for lubricating, chain tensioning and changing the bar and chain.** Improperly tensioned or lubricated chain may either break or increase the chance for kickback.
11. **Cut wood only. Do not use chain saw for purposes not intended. For example: do not use chain saw for cutting metal, plastic, masonry or non-wood building materials.** Use of the chain saw for operations different than intended could result in a hazardous situation.
12. **Do not attempt to fell a tree until you have an understanding of the risks and how to avoid them.** Serious injury could occur to the operator or bystanders while felling a tree.
13. **Causes and operator prevention of kickback:** Kickback may occur when the nose or tip of the guide bar touches an object, or when the wood closes in and pinches the saw chain in the cut. Tip contact in some cases may cause a sudden reverse reaction, kicking the guide bar up and back towards the operator. Pinching the saw chain along the top of the guide bar may push the guide bar rapidly back towards the operator. Either of these reactions may cause you to lose control of the saw which could result in serious personal injury. Do not rely exclusively upon the safety devices built into your saw. As a chain saw user, you should take several steps to keep your cutting jobs free from accident or injury. Kickback is the result of chain saw misuse and/or incorrect operating procedures or conditions and can be avoided by taking proper precautions as given below:
 - **Maintain a firm grip, with thumbs and fingers encircling the chain saw handles, with both hands on the saw and position your body and arm to allow you to resist kickback forces.** Kickback forces can be controlled by the operator, if proper precautions are taken. Do not let go of the chain saw.
14. **Follow all instructions when clearing jammed material, storing or servicing the chain saw. Make sure the switch is off and the battery pack is removed.** Unexpected actuation of the chain saw while clearing jammed material or servicing may result in serious personal injury.

► Fig.1

- **Do not overreach and do not cut above shoulder height.** This helps prevent unintended tip contact and enables better control of the chain saw in unexpected situations.
- **Only use replacement guide bars and saw chains specified by the manufacturer.** Incorrect replacement guide bars and saw chains may cause chain breakage and/or kickback.
- **Follow the manufacturer's sharpening and maintenance instructions for the saw chain.** Decreasing the depth gauge height can lead to increased kickback.

Additional Safety Instructions

Personal protective equipment

1. **Clothing must be close-fitting, but must not obstruct mobility.**
2. **Wear the following protective clothing during work:**
 - A tested safety helmet, if a hazard is presented by falling branches or similar;
 - A face mask or goggles;
 - Suitable ear protection (ear muffs, custom or mouldable ear plugs). Octave brand analysis upon request.
 - Firm leather safety gloves;
 - Long trousers manufactured from strong fabric;
 - Protective dungarees of cut-resistant fabric;
 - Safety shoes or boots with non-slip soles, steel toes, and cut-resistant fabric lining;
 - A breathing mask, when carrying out work which produces dust (e.g. sawing dry wood).

Operation

1. **Before starting work, check that the chain saw is in proper working order and that its condition complies with the safety regulations. Check in particular that:**
 - The chain brake is working properly;
 - The run-down brake is working properly;
 - The bar and the sprocket cover are fitted correctly;
 - The chain has been sharpened and tensioned in accordance with the regulations.
2. **Do not start the chain saw with the chain cover being installed on it.** Starting the chain saw with the chain cover being installed on it may cause the chain cover to be thrown out forward resulting in personal injury and damage to objects around the operator.
3. **When you use the tool on muddy ground, wet slope, or slippery place, pay attention to your footing.**
4. **Do not submerge the tool into a puddle.**
5. **Do not leave the tool unattended outdoors in the rain.**

Electrical and battery safety

1. **Avoid dangerous environment. Don't use the tool in dump or wet locations or expose it to rain.** Water entering the tool will increase the risk of electric shock.
2. **Do not dispose of the battery(ies) in a fire.** The cell may explode. Check with local codes for possible special disposal instructions.
3. **Do not open or mutilate the battery(ies).** Released electrolyte is corrosive and may cause damage to the eyes or skin. It may be toxic if swallowed.
4. **Do not charge battery in rain, or in wet locations.**
5. **Do not charge the battery outdoors.**
6. **Do not handle charger, including charger plug, and charger terminals with wet hands.**
7. **Do not replace the battery in the rain.**
8. **Do not replace the battery with wet hands.**
9. **Do not leave the battery in the rain, nor charge, use, or store the battery in a damp or wet place.**

10. **Do not wet the terminal of battery with liquid such as water, or submerge the battery.** If the terminal gets wet or liquid enters inside of battery, the battery may be short circuited and there is a risk of overheat, fire, or explosion.
11. **After removing the battery from the machine or charger, be sure to attach the battery cover to the battery and store it in a dry place.**
12. **If the battery cartridge gets wet, drain the water inside and then wipe it with a dry cloth. Dry the battery cartridge completely in a dry place before use.**

Maintenance and storage

1. **When storing the tool, avoid direct sunlight and rain, and store it in a place where it does not get hot or humid.**

SAVE THESE INSTRUCTIONS.

⚠WARNING: DO NOT let comfort or familiarity with product (gained from repeated use) replace strict adherence to safety rules for the subject product. MISUSE or failure to follow the safety rules stated in this instruction manual may cause serious personal injury.

Important safety instructions for battery cartridge

1. **Before using battery cartridge, read all instructions and cautionary markings on (1) battery charger, (2) battery, and (3) product using battery.**
2. **Do not disassemble or tamper with the battery cartridge.** It may result in a fire, excessive heat, or explosion.
3. **If operating time has become excessively shorter, stop operating immediately.** It may result in a risk of overheating, possible burns and even an explosion.
4. **If electrolyte gets into your eyes, rinse them out with clear water and seek medical attention right away.** It may result in loss of your eyesight.
5. **Do not short the battery cartridge:**
 - (1) **Do not touch the terminals with any conductive material.**
 - (2) **Avoid storing battery cartridge in a container with other metal objects such as nails, coins, etc.**
 - (3) **Do not expose battery cartridge to water or rain.**

A battery short can cause a large current flow, overheating, possible burns and even a breakdown.

6. **Do not store and use the tool and battery cartridge in locations where the temperature may reach or exceed 50 °C (122 °F).**
7. **Do not incinerate the battery cartridge even if it is severely damaged or is completely worn out. The battery cartridge can explode in a fire.**
8. **Do not nail, cut, crush, throw, drop the battery cartridge, or hit against a hard object to the battery cartridge.** Such conduct may result in a fire, excessive heat, or explosion.
9. **Do not use a damaged battery.**
10. **The contained lithium-ion batteries are subject to the Dangerous Goods Legislation requirements.** For commercial transports e.g. by third parties, forwarding agents, special requirement on packaging and labeling must be observed. For preparation of the item being shipped, consulting an expert for hazardous material is required. Please also observe possibly more detailed national regulations.
 - Tape or mask off open contacts and pack up the battery in such a manner that it cannot move around in the packaging.
11. **When disposing the battery cartridge, remove it from the tool and dispose of it in a safe place. Follow your local regulations relating to disposal of battery.**
12. **Use the batteries only with the products specified by Makita.** Installing the batteries to non-compliant products may result in a fire, excessive heat, explosion, or leak of electrolyte.
13. **If the tool is not used for a long period of time, the battery must be removed from the tool.**
14. **During and after use, the battery cartridge may take on heat which can cause burns or low temperature burns. Pay attention to the handling of hot battery cartridges.**
15. **Do not touch the terminal of the tool immediately after use as it may get hot enough to cause burns.**
16. **Do not allow chips, dust, or soil stuck into the terminals, holes, and grooves of the battery cartridge.** It may cause heating, catching fire, burst and malfunction of the tool or battery cartridge, resulting in burns or personal injury.
17. **Unless the tool supports the use near high-voltage electrical power lines, do not use the battery cartridge near a high-voltage electrical power lines.** It may result in a malfunction or breakdown of the tool or battery cartridge.
18. **Keep the battery away from children.**

SAVE THESE INSTRUCTIONS.

⚠CAUTION: Only use genuine Makita batteries. Use of non-genuine Makita batteries, or batteries that have been altered, may result in the battery bursting causing fires, personal injury and damage. It will also void the Makita warranty for the Makita tool and charger.

Tips for maintaining maximum battery life

1. **Charge the battery cartridge before completely discharged. Always stop tool operation and charge the battery cartridge when you notice less tool power.**
2. **Never recharge a fully charged battery cartridge. Overcharging shortens the battery service life.**
3. **Charge the battery cartridge with room temperature at 10 °C - 40 °C (50 °F - 104 °F). Let a hot battery cartridge cool down before charging it.**
4. **When not using the battery cartridge, remove it from the tool or the charger.**
5. **Charge the battery cartridge if you do not use it for a long period (more than six months).**

PARTS DESCRIPTION

► Fig.2

1	Battery cartridge	2	Front hand guard	3	Lever
4	Guide bar	5	Saw chain	6	Adjusting dial
7	Main power lamp	8	Main power switch	9	Lock-off lever
10	Rear handle	11	Switch trigger	12	Front handle
13	Oil tank cap	14	Guide bar cover	15	Adjusting screw (for oil pump)
16	Chain catcher	-	-	-	-

FUNCTIONAL DESCRIPTION

CAUTION: Always be sure that the tool is switched off and the battery cartridge is removed before adjusting or checking function on the tool.

Installing or removing battery cartridge

CAUTION: Always switch off the tool before installing or removing of the battery cartridge.

CAUTION: Hold the tool and the battery cartridge firmly when installing or removing battery cartridge. Failure to hold the tool and the battery cartridge firmly may cause them to slip off your hands and result in damage to the tool and battery cartridge and a personal injury.

► Fig.3: 1. Red indicator 2. Button 3. Battery cartridge

To remove the battery cartridge, slide it from the tool while sliding the button on the front of the cartridge.

To install the battery cartridge, align the tongue on the battery cartridge with the groove in the housing and slip it into place. Insert it all the way until it locks in place with a little click. If you can see the red indicator as shown in the figure, it is not locked completely.

CAUTION: Always install the battery cartridge fully until the red indicator cannot be seen. If not, it may accidentally fall out of the tool, causing injury to you or someone around you.

CAUTION: Do not install the battery cartridge forcibly. If the cartridge does not slide in easily, it is not being inserted correctly.

Indicating the remaining battery capacity

Press the check button on the battery cartridge to indicate the remaining battery capacity. The indicator lamps light up for a few seconds.

► Fig.4: 1. Indicator lamps 2. Check button

Indicator lamps			Remaining capacity
Lighted	Off	Blinking	
■ ■ ■ ■			75% to 100%
■ ■ ■ □			50% to 75%
■ ■ □ □			25% to 50%
■ □ □ □			0% to 25%
▣ □ □ □			Charge the battery.
■ ■ □ □			The battery may have malfunctioned.
□ □ ■ ■			

NOTE: Depending on the conditions of use and the ambient temperature, the indication may differ slightly from the actual capacity.

NOTE: The first (far left) indicator lamp will blink when the battery protection system works.

Tool / battery protection system

The tool is equipped with a tool/battery protection system. This system automatically cuts off power to the motor to extend tool and battery life. The tool will automatically stop during operation if the tool or battery is placed under one of the following conditions:

Overload protection

When the battery is operated in a manner that causes it to draw an abnormally high current, the tool automatically stops and the main power lamp blinks in green. In this situation, turn the tool off and stop the application that caused the tool to become overloaded. Then turn the tool on to restart.

Overheat protection

When the tool or battery is overheated, the tool stops automatically and the main power lamp lights up in red. In this case, let the tool and battery cool before turning the tool on again.

NOTE: In high temperature environment, the overheat protection likely to work and the tool stops automatically.

Overdischarge protection

When the battery capacity is not enough, the tool stops automatically and the main power lamp blinks in red. In this case, remove the battery from the tool and charge the battery.

Protections against other causes

Protection system is also designed for other causes that could damage the tool and allows the tool to stop automatically. Take all the following steps to clear the causes, when the tool has been brought to a temporary halt or stop in operation.

1. Turn the tool off, and then turn it on again to restart.
2. Charge the battery(ies) or replace it/them with recharged battery(ies).
3. Let the machine and battery(ies) cool down.

If no improvement can be found by restoring protection system, then contact your local Makita Service Center.

NOTICE: If the tool stops due to a cause not described above, refer to the section for troubleshooting.

Main power switch

WARNING: Always turn off the main power switch when not in use.

To turn on the tool, press the main power switch. The main power lamp lights up in green. To turn off, press the main power switch again.

► **Fig.5:** 1. Main power lamp 2. Main power switch

NOTE: The main power lamp blinks in green if the switch trigger is pulled under unoperable conditions. The lamp blinks in one of the following conditions.

- When you turn on the main power switch while holding down the lock-off lever and the switch trigger.
- When you pull the switch trigger while the chain brake is applied.
- When you release the chain brake while holding down the lock-off lever and pulling the switch trigger.

NOTE: This tool employs the auto power-off function. To avoid unintentional start up, the main power switch will automatically shut down when the switch trigger is not pulled for a certain period after the main power switch is turned on.

Switch action

WARNING: For your safety, this tool is equipped with lock-off lever which prevents the tool from unintended starting. NEVER use the tool if it runs when you simply pull the switch trigger without pressing the lock-off lever. Return the tool to our authorized service center for proper repairs BEFORE further usage.

WARNING: NEVER tape down or defeat purpose and function of lock-off lever.

CAUTION: Before installing the battery cartridge into the tool, always check to see that the switch trigger actuates properly and returns to the "OFF" position when released.

NOTICE: Do not pull the switch trigger hard without pressing the lock-off lever. This can cause switch breakage.

To prevent the switch trigger from being accidentally pulled, a lock-off lever is provided. To start the tool, depress the lock-off lever and pull the switch trigger. Tool speed is increased by increasing pressure on the switch trigger. Release the switch trigger to stop.

► **Fig.6:** 1. Switch trigger 2. Lock-off lever

Checking the chain brake

CAUTION: Hold the chain saw with both hands when switching it on. Hold the rear handle with your right hand, the front handle with your left. The bar and the chain must not be in contact with any object.

CAUTION: Should the saw chain not stop immediately when this test is performed, the saw may not be used under any circumstances. Consult our authorized service center.

1. Press the lock-off lever, then pull the switch trigger. The saw chain starts immediately.
2. Push the front hand guard forwards with the back of your hand. Make sure that the chain saw comes to an immediate standstill.

► **Fig.7:** 1. Front hand guard 2. Unlocked position 3. Locked position

Checking the run-down brake

CAUTION: If the saw chain does not stop within one second in this test, stop using the chain saw and consult our authorized service center.

Run the chain saw then release the switch trigger completely. The saw chain must come to a standstill within one second.

Adjusting the chain lubrication

You can adjust the oil pump feed rate with the adjusting screw. The amount of oil can be adjusted using the universal wrench.

► **Fig.8:** 1. Adjusting screw

ASSEMBLY

⚠ CAUTION: Always be sure that the tool is switched off and the battery cartridge is removed before carrying out any work on the tool.

⚠ CAUTION: Do not touch the saw chain with bare hands. Always wear gloves when handling the saw chain.

Installing or removing saw chain

⚠ CAUTION: The saw chain and the guide bar are still hot just after the operation. Let them cool down enough before carrying out any work on the tool.

⚠ CAUTION: Carry out the procedure of installing or removing saw chain in a clean place free from sawdust and the like.

Installing the saw chain

To install the saw chain, perform the following steps:

1. Release the chain brake by pulling the front hand guard.
2. Pull the lever up while pressing its edge.
▶ **Fig.9:** 1. Lever
3. Turn the lever counterclockwise until the sprocket cover comes off.
▶ **Fig.10:** 1. Lever 2. Sprocket cover
4. Remove the sprocket cover.
5. Check the direction of the saw chain. Match the direction of the saw chain with that of the mark on the chain saw body.
▶ **Fig.11:** 1. Mark on chain saw body
6. Fit one end of the saw chain on the top of the guide bar.
7. Fit the other end of the saw chain around the sprocket, then attach the guide bar to the chain saw body.
▶ **Fig.12:** 1. Sprocket
8. Turn the adjusting dial to "-" direction to slide the adjusting pin in the direction of arrow.
▶ **Fig.13:** 1. Adjusting dial 2. Adjusting pin
9. Place the sprocket cover on the chain saw so that the adjusting pin is positioned in a small hole on the guide bar.
▶ **Fig.14:** 1. Sprocket cover 2. Guide bar 3. Hole
10. Turn the lever clockwise fully and turn back the lever a little to keep looseness for adjusting the chain tension.
11. Adjust the chain tension. Refer to the section for adjusting saw chain tension for procedure.
12. Turn the lever clockwise until the sprocket cover is secured then return it to the original position.
▶ **Fig.15:** 1. Lever 2. Sprocket cover

Removing the saw chain

To remove the saw chain, perform the following steps:

1. Release the chain brake by pulling the front hand guard.
2. Turn the adjusting dial to "-" direction to release the saw chain tension.
▶ **Fig.16:** 1. Adjusting dial
3. Pull the lever up while pressing its edge.
▶ **Fig.17:** 1. Lever
4. Turn the lever counterclockwise until the sprocket cover comes off.
▶ **Fig.18:** 1. Lever 2. Sprocket cover
5. Remove the sprocket cover then remove the saw chain and guide bar from the chain saw body.

Adjusting saw chain tension

⚠ CAUTION: Carry out the procedure of installing or removing saw chain in a clean place free from sawdust and the like.

⚠ CAUTION: Do not tighten the saw chain too much. Excessively high tension of saw chain may cause breakage of saw chain, wear of the guide bar and breakage of the adjusting dial.

⚠ CAUTION: A chain which is too loose can jump off the bar and it may cause an injury accident.

The saw chain may become loose after many hours of use. From time to time check the saw chain tension before use.

1. Pull the lever up while pressing its edge.
▶ **Fig.19:** 1. Lever
2. Turn the lever counterclockwise a little to loosen the sprocket cover lightly.
▶ **Fig.20:** 1. Lever 2. Sprocket cover
3. Lift up the guide bar tip slightly and adjust the chain tension. Turn the adjusting dial to the "-" direction to loosen, turn to the "+" direction to tighten. Tighten the saw chain until the lower side of the saw chain fits in the guide bar rail as illustrated.
▶ **Fig.21:** 1. Adjusting dial 2. Guide bar 3. Saw chain
4. Keep holding the guide bar lightly and tighten the sprocket cover. Make sure that the saw chain does not loose at the lower side.
5. Return the lever to the original position.

Make sure the saw chain fits snugly against the lower side of the bar.

OPERATION

Lubrication

CAUTION: Do not operate the chain saw when the tank is empty. Replenish the oil in due time before the tank is empty.

CAUTION: Prevent the oil from coming into contact with the skin and eyes. Contact with the eyes causes irritation. In the event of eye contact, flush the affected eye immediately with clear water, then consult a doctor at once.

CAUTION: Never use waste oil. Waste oil contains carcinogenic substances. The contaminants in waste oil cause accelerated wear of the oil pump, the bar and the chain. Waste oil is harmful to the environment.

NOTICE: When the chain saw is used for the first time, it may take up to two minutes for the saw chain oil to begin its lubricating effect upon the saw mechanism. Run the saw without load until it does so.

NOTICE: When filling the chain oil for the first time, or refilling the tank after it has been completely emptied, add oil up to the bottom edge of the filler neck. The oil delivery may otherwise be impaired.

NOTICE: Use the saw chain oil exclusively for Makita chain saws or equivalent oil available in the market.

NOTICE: Never use oil including dust and particles or volatile oil.

NOTICE: When pruning trees, use botanical oil. Mineral oil may harm trees.

NOTICE: Before the cutting operation, make sure that the provided oil tank cap is screwed in place.

Saw chain is automatically lubricated when the tool is in operation. Check the amount of remaining oil in the oil tank periodically through the oil inspection window.

► **Fig.22:** 1. Oil tank cap 2. Oil inspection window

To fill the oil, perform the following steps:

1. Clean the area around the oil tank cap thoroughly to prevent any dirt from entering the oil tank.
 2. Lay the chain saw on its side.
 3. Push the button on the oil tank cap so that the button on the other side stands up, and then remove the oil tank cap by turning it.
- **Fig.23:** 1. Oil tank cap 2. Tighten 3. Loosen
4. Fill the oil tank with the oil. The proper amount of oil is 260 ml.
 5. Screw the oil tank cap firmly back in place.
 6. Wipe away any spilt chain oil carefully.

NOTE: If it is difficult to remove the oil tank cap, insert the box wrench into the slot of the oil tank cap, and then remove the oil tank cap by turning it counterclockwise.

► **Fig.24:** 1. Slot 2. Box wrench

After refilling, hold the chain saw away from the tree. Start it and wait until lubrication on saw chain is adequate.

► **Fig.25**

Working with the chain saw

CAUTION: The first time user should, as a minimum practice, do cutting logs on a saw-horse or cradle.

CAUTION: When sawing precut timber, use a safe support (saw horse or cradle). Do not steady the workpiece with your foot, and do not allow anyone else to hold or steady it.

CAUTION: Secure round pieces against rotation.

CAUTION: Keep all parts of the body away from the saw chain when the motor is operating.

CAUTION: Hold the chain saw firmly with both hands when the motor is running.

CAUTION: Do not overreach. Keep proper footing and balance at all times.

NOTICE: Never toss or drop the tool.

NOTICE: Do not cover the vents of the tool.

Bring the bottom edge of the chain saw body into contact with the branch to be cut before switching on. Otherwise it may cause the guide bar to wobble, resulting in injury to operator. Saw the wood to be cut by just moving it down by using the weight of the chain saw.

► **Fig.26**

If you cannot cut the timber right through with a single stroke:

Apply light pressure to the handle and continue sawing and draw the chain saw back a little; then apply the spike bumper a little lower and finish the cut by raising the handle.

► **Fig.27**

Bucking

1. Rest the bottom edge of the chain saw body on the wood to be cut.

► **Fig.28**

2. With the saw chain running, saw into the wood while using the rear handle to raise the saw and the front one to guide it. Use the spike bumper as a pivot.

3. Continue the cut by applying slight pressure to the front handle, easing the saw back slightly. Move the spike bumper further down the timber and raise the front handle again.

NOTICE: When making several cuts, switch the chain saw off between cuts.

CAUTION: If the upper edge of the bar is used for cutting, the chain saw may be deflected in your direction if the chain becomes trapped. For this reason, cut with the lower edge, so that the saw will be deflected away from your body.

► **Fig.29**

When you cut a wood under tension, cut the pressured side (A) first. Then make the final cut from the tensioned side (B). This prevents the bar from becoming trapped.

► **Fig.30**

Limbing

CAUTION: Limbing may only be performed by trained persons. A hazard is presented by the risk of kickback.

When limbing, support the chain saw on the trunk if possible. Do not cut with the tip of the bar, as this presents a risk of kickback. Pay particular attention to branches under tension. Do not cut unsupported branches from below. Do not stand on the felled trunk when limbing.

Burrowing and parallel-to-grain cuts

CAUTION: Burrowing and parallel-to-grain cuts may only be carried out by persons with special training. The possibility of kickback presents a risk of injury.

Perform parallel-to-grain cuts at as shallow an angle as possible. Take an extra caution when carrying out the cut as the spike bumper cannot be used.

► Fig.31

Felling

CAUTION: Felling work may only be performed by trained persons. The work is hazardous.

Observe local regulations if you wish to fell a tree.

► Fig.32: 1. Felling area

- Before starting felling work, ensure that:
 - Only persons involved in the felling operation are in the vicinity;
 - Any person involved has an unhindered path of retreat through a range of approximately 45° either side of the felling axis. Consider the additional risk of tripping over electrical cables;
 - The base of the trunk is free of foreign objects, roots and stumps;
 - No persons or objects are present over a distance of 2 1/2 tree lengths in the direction in which the tree will fall.
- Consider the following with respect to each tree:
 - Direction of lean;
 - Loose or dry branches;
 - Height of the tree;
 - Natural overhang;
 - Whether or not the tree is rotten.
- Consider the wind speed and direction. Do not carry out felling work if the wind is gusting strongly.
- Trimming of root swellings: Begin with the largest swellings. Make the vertical cut first, then the horizontal cut.
- Stand to the side of the falling tree. Keep an area clear to the rear of the falling tree up to an angle of 45° either side of the tree axis (refer to the “felling area” figure). Pay attention to falling branches.
- An escape path should be planned and cleared as necessary before cuts are started. The escape path should extend back and diagonally to the rear of the expected line of fall as illustrated in figure.

► Fig.33: 1. Felling direction 2. Danger zone 3. Escape route

When felling trees, follow the procedures below:

1. Cut a scarf as close to the ground as possible. First make the horizontal cut to a depth of 1/5 - 1/3 of the trunk diameter. Do not make the scarf too large. Then make the diagonal cut.

► Fig.34

NOTE: The scarf determines the direction in which the tree will fall, and guides it. It is made on the side towards which the tree is to fall.

2. Make the back cut a little higher than the base cut of the scarf. The back cut must be exactly horizontal. Leave approximately 1/10 of the trunk diameter between the back cut and the scarf. The wood fibers in the uncut trunk portion act as a hinge. Insert wedges into the back cut in time.

► Fig.35

WARNING: Do not cut right through the fibers under any circumstances. The tree will otherwise fall unchecked.

NOTICE: Only plastic or aluminum wedges may be used to keep the back cut open. The use of iron wedges is prohibited.

Carrying tool

Before carrying the tool, always apply the chain brake and remove the battery cartridge from the tool. Then attach the guide bar cover. Also cover the battery cartridge with the battery cover.

► Fig.36: 1. Guide bar cover 2. Battery cover

MAINTENANCE

CAUTION: Always be sure that the tool is switched off and the battery cartridge is removed before attempting to perform inspection or maintenance.

CAUTION: Always wear gloves when performing any inspection or maintenance.

NOTICE: Never use gasoline, benzine, thinner, alcohol or the like. Discoloration, deformation or cracks may result.

To maintain product SAFETY and RELIABILITY, repairs, any other maintenance or adjustment should be performed by Makita Authorized or Factory Service Centers, always using Makita replacement parts.

Sharpening the saw chain

Sharpen the saw chain when:

- Mealy sawdust is produced when damp wood is cut;
- The chain penetrates the wood with difficulty, even when heavy pressure is applied;
- The cutting edge is obviously damaged;
- The saw pulls to the left or right in the wood. (caused by uneven sharpening of the saw chain or damage to one side only)

Sharpen the saw chain frequently but a little each time. Two or three strokes with a file are usually sufficient for routine resharpening. When the saw chain has been resharpened several times, have it sharpened in our authorized service center.

Sharpening criteria:

⚠ WARNING: An excessive distance between the cutting edge and depth gauge increases the risk of kickback.

► **Fig.37:** 1. Cutter length 2. Distance between cutting edge and depth gauge 3. Minimum cutter length (3 mm)

- All cutter length must be equal. Different cutter lengths prevent the saw chain from running smoothly and may cause the saw chain to break.
- Do not sharpen the chain when the cutter length has reached 3 mm or shorter. The chain must be replaced with new one.
- The chip thickness is determined by the distance between the depth gauge (round nose) and the cutting edge.
- The best cutting results are obtained with following distance between cutting edge and depth gauge.
 - Chain blade 91PX : 0.65 mm
 - Chain blade 80TXL : 0.65 mm

► **Fig.38**

- The sharpening angle of 30° must be the same on all cutters. Different cutter angles cause the chain to run roughly and unevenly, accelerate wear, and lead to chain breaks.
- Use a suitable round file so that the proper sharpening angle is kept against the teeth.
 - Chain blade 91PX : 55°
 - Chain blade 80TXL : 55°

File and file guiding

- Use a special round file (optional accessory) for saw chains to sharpen the chain. Normal round files are not suitable.
- Diameter of the round file for each saw chain is as follows:
 - Chain blade 91PX : 4.0 mm
 - Chain blade 80TXL : 4.0 mm
- The file should only engage the cutter on the forward stroke. Lift the file off the cutter on the return stroke.
- Sharpen the shortest cutter first. Then the length of this shortest cutter becomes the standard for all other cutters on the saw chain.
- Guide the file as shown in the figure.

► **Fig.39:** 1. File 2. Saw chain

- The file can be guided more easily if a file holder (optional accessory) is employed. The file holder has markings for the correct sharpening angle of 30° (align the markings parallel to the saw chain) and limits the depth of penetration (to 4/5 of the file diameter).

► **Fig.40:** 1. File holder

- After sharpening the chain, check the height of the depth gauge using the chain gauge tool (optional accessory).

► **Fig.41**

- Remove any projecting material, however small, with a special flat file (optional accessory).
- Round off the front of the depth gauge again.

Cleaning the guide bar

Chips and sawdust will build up in the guide bar groove. They may clog the bar groove and impair the oil flow. Clean out the chips and sawdust every time when you sharpen or replace the saw chain.

► **Fig.42**

Cleaning the sprocket cover

Chips and saw dust will accumulate inside of the sprocket cover. Remove the sprocket cover and saw chain from the tool then clean the chips and saw dust.

► **Fig.43**

Cleaning the oil discharge hole

Small dust or particles may be built up in the oil discharge hole during operation. These dust or particles may impair the oil to flow and cause an insufficient lubrication on the whole saw chain. When a poor chain oil delivery occurs at the top of guide bar, clean the oil discharge hole as follows.

1. Remove the sprocket cover and saw chain from the tool.

2. Remove the small dust or particles using a slotted screwdriver or the like.

► **Fig.44:** 1. Slotted screwdriver 2. Oil discharge hole

3. Insert the battery cartridge into the tool. Pull the switch trigger to flow built-up dust or particles off the oil discharge hole by discharging chain oil.

4. Remove the battery cartridge from the tool.

Reinstall the sprocket cover and saw chain on the tool.

Replacing the sprocket

⚠ CAUTION: A worn sprocket will damage a new saw chain. Have the sprocket replaced in this case.

Before fitting a new saw chain, check the condition of the sprocket.

► **Fig.45:** 1. Sprocket 2. Areas to be worn out

Always fit a new locking ring when replacing the sprocket.

► **Fig.46:** 1. Locking ring 2. Sprocket

NOTICE: Make sure that the sprocket is installed as shown in the figure.

Storing the tool

1. Clean the tool before storing. Remove any chips and sawdust from the tool after removing the sprocket cover.

2. After cleaning the tool, run it under no load to lubricate the saw chain and guide bar.

3. Cover the guide bar with the guide bar cover.

4. Empty the oil tank.

Instructions for periodic maintenance

To ensure long life, prevent damage and ensure the full functioning of the safety features, the following maintenance must be performed regularly. Warranty claims can be recognized only if this work is performed regularly and properly. Failure to perform the prescribed maintenance work can lead to accidents! The user of the chain saw must not perform maintenance work which is not described in the instruction manual. All such work must be carried out by our authorized service center.

Check item / Operating time		Before operation	Everyday	Every week	Every 3 month	Annually	Before storage
Chain saw	Inspection.	✓	-	-	-	-	-
	Cleaning.	-	✓	-	-	-	-
	Check at authorized service center.	-	-	-	-	✓	✓
Saw chain	Inspection.	✓	-	-	-	-	-
	Sharpening if necessary.	-	-	-	-	-	✓
Guide bar	Inspection.	✓	✓	-	-	-	-
	Remove from the chain saw.	-	-	-	-	-	✓
Chain brake	Check the function.	✓	-	-	-	-	-
	Have it inspected regularly at authorized service center.	-	-	-	✓	-	-
Chain lubrication	Check the oil feed rate.	✓	-	-	-	-	-
Switch trigger	Inspection.	✓	-	-	-	-	-
Lock-off lever	Inspection.	✓	-	-	-	-	-
Oil tank cap	Check tightness.	✓	-	-	-	-	-
Chain catcher	Inspection.	-	-	✓	-	-	-
Screws and nuts	Inspection.	-	-	✓	-	-	-

TROUBLESHOOTING

Before asking for repairs, conduct your own inspection first. If you find a problem that is not explained in the manual, do not attempt to dismantle the tool. Instead, ask Makita Authorized Service Centers, always using Makita replacement parts for repairs.

Malfunction status	Cause	Action
The chain saw does not start.	Battery cartridge is not installed.	Install a charged battery cartridge.
	Battery problem (low voltage).	Recharge the battery cartridge. If recharging is not effective, replace the battery cartridge.
	Main power switch is off.	The chain saw is automatically turned off if it is un-operated for a certain period. Turn on the main power switch again.
The saw chain does not run.	Chain brake activated.	Release chain brake.
The motor stops running after a little use.	Battery's charge level is low.	Recharge the battery cartridge. If recharging is not effective, replace the battery cartridge.
No oil on the chain.	Oil tank is empty.	Fill the oil tank.
	Oil guide groove is dirty.	Clean the groove.
	Poor oil delivery.	Adjust the amount of oil delivery with the adjusting screw.
The chain saw does not reach maximum RPM.	Battery cartridge is installed improperly.	Install the battery cartridge as described in this manual.
	Battery power is dropping.	Recharge the battery cartridge. If recharging is not effective, replace the battery cartridge.
	The drive system does not work correctly.	Ask the authorized service center in your region for repair.
The main power lamp is blinking in green.	Switch trigger is pulled under an unoperable condition.	Pull the switch trigger after the main power switch is turned on and the chain brake is released.
Chain does not stop even the chain brake is activated: Stop the tool immediately!	The brake band is worn down.	Ask the authorized service center in your region for repair.
Abnormal vibration: Stop the tool immediately!	Loose guide bar or saw chain.	Adjust the guide bar and saw chain tension.
	Tool malfunction.	Ask the authorized service center in your region for repair.
The saw chain cannot be installed.	The combination of saw chain and sprocket is not correct.	Use the correct combination of saw chain and sprocket by referring to the section for specifications.

OPTIONAL ACCESSORIES

CAUTION: These accessories or attachments are recommended for use with your Makita tool specified in this manual. The use of any other accessories or attachments might present a risk of injury to persons. Only use accessory or attachment for its stated purpose.

If you need any assistance for more details regarding these accessories, ask your local Makita Service Center.

- Saw chain
- Guide bar
- Guide bar cover
- File
- Tool bag
- Makita genuine battery and charger

WARNING: If you purchase a guide bar of different length from the standard guide bar, also purchase a suitable guide bar cover together. It must fit and fully cover the guide bar on the chain saw.

NOTE: Some items in the list may be included in the tool package as standard accessories. They may differ from country to country.

TEHNIČNI PODATKI

Model:		UC014G	UC015G	UC016G	UC017G
Celotna dolžina (brez meča)		445 mm			
Nazivna napetost		D.C. od 36 V do najv. 40 V			
Neto teža	*1	4,5 kg			
	*2	6,2 – 6,9 kg			
Dolžina standardnega meča		300 mm	350 mm	400 mm	450 mm
Priporočena dolžina meča		300 – 450 mm			
Vrsta uporabljene verige žage (glejte spodnjo razpredelnico)		91PX 80TXL			
Verižnik (91PX)	Število zobcev	6			
	Korak	3/8"			
Verižnik (80TXL)	Število zobcev	7			
	Korak	0,325"			
Hitrost verige		0 - 25,5 m/s (0 - 1.530 m/min)		0 - 25,5 m/s (0 - 1.530 m/min)	
Prostornina rezervoarja za verižno olje		260 cm ³			
Stopnja zaščite		IPX4			

• Ker nenehno opravljamo raziskave in razvijamo svoje izdelke, se lahko tehnični podatki v tem dokumentu spremenijo brez obvestila.

• Tehnični podatki se lahko razlikujejo od države do države.

*1: Teža brez verige žage, meča, pokrova meča, olja in akumulatorskih baterij.

*2: Kombinacija najmanjše in največje teže v skladu s postopkom EPTA 01/2014. Teža se lahko razlikuje glede na priključke, vključno z akumulatorsko baterijo.

Kombinacija verige žage, meča in verižnika

Vrsta verige žage		91PX			
Število gonilnih členov		46	52	56	62
Meč	Dolžina meča	300 mm	350 mm	400 mm	450 mm
	Dolžina rezanja	268 mm	324 mm	361 mm	418 mm
	Korak	3/8"			
	Debelina	1,3 mm			
	Vrsta	Meč z verižnikom			
Verižnik	Število zobcev	6			
	Korak	3/8"			

Vrsta verige žage		80TXL			
Število gonilnih členov		51	59	64	70
Meč	Dolžina meča	300 mm	350 mm	400 mm	450 mm
	Dolžina rezanja	259 mm	325 mm	366 mm	416 mm
	Korak	0,325"			
	Debelina	1,1 mm			
	Vrsta	Meč z verižnikom			
Verižnik	Število zobcev	7			
	Korak	0,325"			

⚠ OPOZORILO: Uporabite ustrezno kombinacijo meča in verige. V nasprotnem primeru lahko pride do telesnih poškodb.

Uporabna akumulatorska baterija in polnilnik

Baterijski vložek	BL4040 / BL4050F* * : Priporočeni akumulator
Polnilnik	DC40RA / DC40RB / DC40RC

- Nekatere zgoraj navedene akumulatorske baterije in polnilniki morda v vaši državi prebivališča niso na voljo.

⚠ OPOZORILO: Uporabljajte le zgoraj navedene akumulatorske baterije in polnilnike. Uporaba drugih akumulatorskih baterij in polnilnikov lahko povzroči telesne poškodbe in/ali požar.

Priporočen vir napajanja s kablom

Prenosna polnilna enota	PDC01
-------------------------	-------

- Vir(i) napajanja s kablom, navedeni zgoraj, morda v vaši državi prebivališča niso na voljo.
- Pred uporabo vira napajanja s kablom preberite navodila in opozorilne znake na njem.

Simboli

Naslednji simboli se lahko uporabljajo v povezavi s strojem. Pred uporabo izdelka se obvezno seznanite z njihovim pomenom.

	Preberite navodila za uporabo.
	Nosite zaščitna očala.
	Uporabljajte zaščito za sluh.
	Nosite čelado, očala in zaščito za sluh.
	Največja dovoljena dolžina rezanja
	Verižno žago vedno držite z obema rokama.
	Pazite na povratni udarec verižne žage in se izogibajte stiku s konico meča.
	Smer premika verige
	Prilagoditev verižnega olja
	Samo za države EU Zaradi prisotnosti nevarnih komponent v opremi imajo lahko uporabljena električna in elektronska oprema, akumulatorji in baterije negativen vpliv na okolje in zdravje ljudi. Električnih in elektronskih naprav ali baterij ne odlagajte med gospodinjske odpadke! Skladno z evropsko Direktivo o odpadnih električnih in elektronskih opremi, o akumulatorjih in baterijah ter odpadnih akumulatorjih in baterijah ter njeno uporabo v državnih zakonih morate rabljeno električno in elektronsko opremo, baterije in akumulatorje zbirati ločeno ter dostaviti na posebno zbiralno mesto za komunalne odpadke, ki deluje skladno s predpisi za zaščito okolja. To nakazuje simbol prečrtanega smetnjaka s kolesi, ki je natisnjen na opremi.



Zajamčena raven zvočne moči v skladu z direktivo EU o hrupu na prostem.



Raven zvočne moči v skladu z avstralskim predpisom o nadzoru hrupa NSW

Predvidena uporaba

Verižna žaga je namenjena žaganju lesa.

Hrup

Običajna A-ovrednotena raven hrupa v skladu z EN62841-4-1:

Model UC014G

Raven zvočnega tlaka (L_{pA}): 91 dB (A)

Raven zvočne moči (L_{WA}): 102 dB (A)

Odstopanje (K): 3 dB (A)

Model UC015G

Raven zvočnega tlaka (L_{pA}): 91 dB (A)

Raven zvočne moči (L_{WA}): 102 dB (A)

Odstopanje (K): 3 dB (A)

Model UC016G

Raven zvočnega tlaka (L_{pA}): 91 dB (A)

Raven zvočne moči (L_{WA}): 102 dB (A)

Odstopanje (K): 3 dB (A)

Model UC017G

Raven zvočnega tlaka (L_{pA}): 91 dB (A)

Raven zvočne moči (L_{WA}): 102 dB (A)

Odstopanje (K): 3 dB (A)

OPOMBA: Navedene vrednosti oddajanja hrupa so bile izmerjene v skladu s standardnimi metodami testiranja in se lahko uporabljajo za primerjavo orodij.

OPOMBA: Navedene vrednosti oddajanja hrupa se lahko uporabljajo tudi pri predhodni oceni izpostavljenosti.

⚠ OPOZORILO: Uporabljajte zaščito za sluh.

⚠ OPOZORILO: Oddajanje hrupa med dejansko uporabo električnega orodja se lahko razlikuje od navedenih vrednosti, odvisno od načina uporabe orodja in predvsem vrste obdelovanca.

⚠ OPOZORILO: Upravitelj mora za lastno zaščito poznati varnostne ukrepe, ki temeljijo na oceni izpostavljenosti v dejanskih pogojih uporabe (poleg časa proženja je treba upoštevati celoten delovni cikel, vključno s časom, ko je orodje izklopljeno, in časom, ko deluje v prostem teku).

Vibracije

Skupne vrednosti vibracij (vektorska vsota treh osi) v skladu z EN62841-4-1:

Model UC014G

Delovni način: rezanje lesa
Emisije vibracij ($a_{h,w}$): 5,0 m/s²
Odstopanje (K): 1,5 m/s²

Model UC015G

Delovni način: rezanje lesa
Emisije vibracij ($a_{h,w}$): 5,0 m/s²
Odstopanje (K): 1,5 m/s²

Model UC016G

Delovni način: rezanje lesa
Emisije vibracij ($a_{h,w}$): 5,0 m/s²
Odstopanje (K): 1,5 m/s²

Model UC017G

Delovni način: rezanje lesa
Emisije vibracij ($a_{h,w}$): 5,0 m/s²
Odstopanje (K): 1,5 m/s²

OPOMBA: Navedene skupne vrednosti oddajanja vibracij so bile izmerjene v skladu s standardnimi metodami testiranja in se lahko uporabljajo za primerjavo orodij.

OPOMBA: Navedene skupne vrednosti oddajanja vibracij se lahko uporabljajo tudi pri predhodni oceni izpostavljenosti.

⚠ OPOZORILO: Oddajanje vibracij med dejansko uporabo električnega orodja se lahko razlikuje od navedenih vrednosti, odvisno od načina uporabe orodja in predvsem vrste obdelovanca.

⚠ OPOZORILO: Upravljalavec mora za lastno zaščito poznati varnostne ukrepe, ki temeljijo na oceni izpostavljenosti v dejanskih pogojih uporabe (poleg časa proženja je treba upoštevati celoten delovni cikel, vključno s časom, ko je orodje izklopljeno, in časom, ko deluje v prostem teku).

Izjava o skladnosti ES

Samo za evropske države

Izjava ES o skladnosti je vključena v dodatku A, ki je priložen tem navodilom za uporabo.

VARNOSTNA OPOZORILA

Splošna varnostna opozorila za električno orodje

⚠ OPOZORILO: Preberite vsa varnostna opozorila in navodila s slikami in tehničnimi podatki, ki so dobavljeni skupaj z električnim orodjem. Ob neupoštevanju spodaj navedenih navodil obstaja nevarnost električnega udara, požara in/ali hudih telesnih poškodb.

Shranite vsa opozorila in navodila za poznejšo uporabo.

Izraz „električno orodje“ v opozorilih se nanaša na vaše električno orodje (s kablom) ali baterijsko električno orodje (brez kabla).

Splošna varnostna opozorila za uporabo verižne žage

- Med delovanjem verižne žage ne približujte delov telesa verigi. Preden zaženete verižno žago, se prepričajte, da se veriga ničesar ne dotika.** V trenutku nepazljivosti pri delu z verižnimi žagami si lahko v verigo žage zapletete oblačila ali dele telesa.
- Vedno držite verižno žago z desno roko za zadnji ročaj in z levo za sprednji ročaj.** Obratno držanje verižne žage poveča tveganje za osebne poškodbe, zato tega ne počnite nikoli.
- Verižo žage držite samo na izoliranih držalnih površinah, saj lahko veriga žage prereže skrito električno napeljavo.** Če verige žage prerežejo vodnike pod napetostjo, so pod napetostjo tudi vsi neizolirani kovinski deli verižne žage, zaradi česar lahko uporabnik utrpi električni udar.
- Uporabljajte zaščito za oči. Priporočena je dodatna zaščita za sluh, glavo, roke, noge in stopala.** Zadostna zaščitna opreme bo zmanjšala telesne poškodbe zaradi letečih ostankov ali nenamernega stika z verižno žago.
- Verižne žage ne uporabljajte na drevesu, lestvi, strehi ali kateri koli drugi nestabilni opori.** Takšna uporaba verižne žage lahko privede do hudih telesnih poškodb.
- Vedno uporabljajte ustrezno obutev in uporabljajte verižno žago samo, če stojite na trdni, varni in ravni površini.** Drseča ali nestabilna površina lahko povzroči izgubo ravnotežja ali nadzora nad verižno žago.
- Kadar režete napeto vejo, bodite pozorni, saj lahko udari nazaj.** Ko se napetost lesnih vlaken sprosti, lahko veja udari upravljalca in/ali povzroči nenadzorovano premikanje verižne žage.
- Bodite izjemno previdni pri rezanju mladik in sadik.** Vitek material lahko ujame verižo žage in jo vrže proti vam ali povzroči izgubo ravnotežja.
- Verižno žago nosite tako, da jo izklopljeno držite za sprednji ročaj in obrnjeno stran od telesa. Kadar nosite ali shranjujete verižno žago, vedno namestite pokrivalo meča.** Ustrezno ravnanje z verižno žago bo zmanjšalo verjetnost nenamernega stika s premikajočo se verigo žage.
- Upoštevajte navodila glede mazanja, napetosti verige in menjave meča in verige.** Nepravilno napeta ali namazana veriga se lahko strga ali poveča možnost povratnega udara.
- Režite samo les. Verižne žage ne uporabljajte v nepredvidene namene. Verižne žage na primer ne uporabljajte za rezanje kovine, plastike, zidov ali nelesenih gradbenih elementov.** Uporaba verižne žage, ki ni v skladu z namensko uporabo, je nevarna.

12. **Ne začnite z žaganjem drevesa, dokler ne razumete, kakšne so lahko posledice in kako se jim lahko izognete.** Med podiranjem drevesa se lahko resno poškoduje upravljavec ali prisotne osebe.
13. **Vzroki povratnega udarca in kako ga upravljavec prepreči:**
 Povratni udarec se lahko pojavi, če se konica meča dotakne kakšnega predmeta ali ko se les zapre in uklešči verigo v reži. Stik konice lahko v nekaterih primerih povzroči nenadno obratno reakcijo, ki vrže meč navzgor in nazaj proti upravljavcu. Zagozditev verige žage na vrhu meča lahko hitro potisne meč nazaj proti upravljavcu. Pri kateri koli od teh reakcij lahko upravljavec izgubi nadzor nad žago in se hudo poškoduje. Ne zanašajte se izključno na zaščitne naprave, vgrajene v žago. Kot uporabnik verižne žage morate z več ukrepi poskrbeti, da preprečite nesreče ali poškodbe med delom. Povratni udarec je posledica nestrokovnega ravnanja z verižno žago in/ali neugodnih okoliščin. Preprečite ga lahko z upoštevanjem spodaj navedenih opozoril:
- **Trdno držite žago, tako da s sklenjenimi prsti držite ročaja, imate obe roki na žagi in namestite telo ter roki tako, da boste lahko prestregli sile povratnega udarca.** Sile povratnega udarca lahko upravljavec nadzoruje s pravnimi previdnostnimi ukrepi. Ne izpustite verižne žage.

► SI.1

- **Ne segajte previsoko in ne režite nad višino ramen.** S tem boste preprečili nenamern stik konice in omogočili boljši nadzor nad verižno žago v nepredvidenih situacijah.
 - **Uporabljajte samo nadomestne meče in verige žage, ki jih je določil proizvajalec.** Napačni nadomestni meči in verige žage lahko povzročijo strganje verige in/ali povratni udarec.
 - **Upošteвайте navodila proizvajalca za brušenje in vzdrževanje verige žage.** Zmanjšanje višine merilnika globine lahko povzroči povečano možnost povratnega udarca.
14. **Pri odstranjevanju zagozdenega materiala, shranjevanju ali servisiranju verižne žage upoštevajte vsa navodila. Prepričajte se, da je stikalo izključeno in da je akumulatorska baterija odstranjena.** Nepričakovan zagon verižne žage med odstranjevanjem zagozdenega materiala ali servisiranjem lahko povzroči hude telesne poškodbe.

Dodatna varnostna navodila

Osebnna zaščitna oprema

1. Obleka se mora tesno prilagati, vendar ne sme ovirati gibljivosti.
2. Med delom nosite naslednja zaščitna oblačila:
 - Atestirano zaščitno čelado, če obstaja nevarnost padajočih vej ali podobna;
 - Obrazno masko ali očala;

- Ustrezno zaščito sluha (čepki za ušesa, običajni ali uliti ušesni čepki). Analiza znanke Octave na zahtevo.
- Zaščitne rokavice iz trdega usnja;
- Dolge hlače iz močne tkanine;
- Zaščitne delovne hlače iz tkanine, odporne na reze;
- Zaščitne čevlje ali škornje z nedrsečimi podplati, jeklenim prstnim delom in oblogo iz tkanine, odporne na reze;
- Dihalno masko, kadar delate v prašnem okolju (npr. žaganje suhega lesa).

Uporaba

1. **Pred začetkom dela preverite, ali verižna žaga pravilno deluje in ali se njeno stanje sklada s predpisi za varnost. Še posebej preverite:**
 - ali zavora verige pravilno deluje;
 - ali zavora izteka pravilno deluje;
 - ali sta meč in pokrov zobca kolesa pravilno nameščena;
 - ali je veriga naostrena in napeta v skladu s pravili.
2. **Ne zaženite verižne žage z nameščenim zaščitnim pokrovom verige.** Zagon verižne žage z nameščenim zaščitnim pokrovom verige lahko povzroči, da bo zaščitni pokrov verige izvrglo naprej, posledica pa je telesna poškodba in poškodbe predmetov v bližini upravljavca.
3. **Kadar orodje uporabljate na blatnih tleh, mokrem pobočju ali kraju, na katerem drsi, pazite, da vam ne spodrsne.**
4. **Orodja ne potaplajte v lužo.**
5. **Orodja ne puščajte zunaj v dežju brez nadzora.**

Električna zaščita in zaščita akumulatorja

1. **Izogibajte se nevarnemu okolju. Orodja ne uporabljajte na vlažnih ali mokrih mestih in ga ne izpostavljajte dežju.** Voda, ki prodre v orodje, bo povečala nevarnost električnega udara.
2. **Akumulatorja/-ev ni dovoljeno metati v ogenj.** Celica lahko eksplodira. Preverite lokalne predpise glede morebitnih posebnih navodil za odstranjevanje.
3. **Ne odpirajte ali spreminjajte akumulatorja/-ev.** Sproščeni elektrolit je koroziven in lahko povzroči poškodbe oči ali kože. Pri zaužitju je lahko strupen.
4. **Akumulatorja ne polnite v dežju ali na mokrih mestih.**
5. **Akumulatorja ne polnite na prostem.**
6. **Ne dotikajte se polnilnika, vtiča polnilnika in priključkov polnilnika z mokrimi rokami.**
7. **Akumulatorja ne menjajte v dežju.**
8. **Akumulatorja ne menjajte z mokrimi rokami.**
9. **Akumulatorja ne pustite na dežju, prav tako ga ne polnite, uporabljajte ali hranite na mokrem ali vlažnem mestu.**
10. **Priključka akumulatorja ne vlažite s tekočino, na primer vodo, prav tako ne potaplajte akumulatorja.** Če se priključek zmocni ali v notranjost akumulatorja prodre voda, lahko pride do kratkega stika, posledično pa do nevarnosti pregrevanja, požara ali eksplozije.

11. Ko akumulator odstranite iz stroja ali polnilnika, na akumulator pritrđite pokrov akumulatorja in ga hranite na suhem mestu.
 12. Če se akumulatorska baterija zmóči, iztočite vso vodo in jo obrišite s suho krpo. Temeljito osušite akumulatorsko baterijo na suhem mestu, preden jo ponovno uporabite.
- Vzdrževanje in shranjevanje**
1. Pri shranjevanju orodja se izogibajte neposredni sončni svetlobi in dežju; stroj hranite na mestu, kjer se ne bo segrel ali navlažil.

SHRANITE TA NAVODILA.

⚠ OPOZORILO: NE dovolite, da bi zaradi udobnejšega dela ali znanja o uporabi izdelka (pridobljenega z večkratno uporabo) opustili strogo upoštevanje varnostnih zahtev v okviru pravilne uporabe orodja. ZLORABA ali neupoštevanje varnostnih zahtev v teh navodilih za uporabo lahko povzroči resne telesne poškodbe.

Pomembna varnostna navodila za akumulatorsko baterijo

1. Pred uporabo baterijskega vložka preberite vsa navodila in opozorilne oznake na (1) polnilniku akumulatorja, (2) akumulatorju in (3) izdelku, ki uporablja akumulator.
2. Ne razstavljajte ali spreminjajte akumulatorske baterije. S tem lahko povzročite požar, prekomerno vročino ali eksplozijo.
3. Če se je čas delovanja občutno skrajšal, takoj prenehajte uporabljati orodje. V nasprotnem primeru lahko pride do pregretja, morebitnih opeklin in celo eksplozije.
4. Če pride elektrolit v stik z očmi, jih sperite s čisto vodo in takoj poiščite zdravniško pomoč. Posledica je lahko izguba vida.
5. Ne povzročite kratkega stika baterijskega vložka:
 - (1) Ne dotikajte se priključkov s kavršnim koli prevodnim materialom.
 - (2) Izogibajte se shranjevanju baterijskega vložka v vsebniku z drugimi kovinskimi predmeti kot so žebliji, kovanci itn.
 - (3) Ne izpostavlajte baterijskega vložka vodi ali dežju.

Kratek stik akumulatorja lahko povzroči velik električni tok, pregrevanje, morebitne opeklino in celo okvaro.
6. Ne shranjujte in uporabljajte orodja in akumulatorske baterije na mestih, kjer lahko temperatura doseže ali preseže 50 °C (122 °F).
7. Ne sežigajte baterijskega vložka, tudi če je hudo poškodovan ali v celoti izpraznjen. Baterijski vložek lahko v ognju eksplodira.
8. Ne pribijajte, režite, drobite, mečite, spuščajte akumulatorske baterije oziroma ne udarjajte z akumulatorsko baterijo po trdem predmetu. Takšno ravnanje lahko povzroči požar, prekomerno vročino ali eksplozijo.
9. Ne uporabljajte poškodovanih akumulatorjev.
10. Prilóžene litij-ionske baterije ustrezajo zahtevam zakonodaje v zvezi z nevarnim blagom. Za komercialne prevoze, npr. tiste, ki jih opravljajo tretje stranke in carinski posredniki, je treba upoštevati posebne zahteve v zvezi z embalažo in označevanjem. Med postopkom priprave na odpremo izdelka se je treba posvetovati s strokovnjakom za nevarne snovi. Pri tem upoštevajte tudi podrobnejše nacionalne predpise. Odprte stike oblepite z lepilnim trakom ali jih drugače zaščitite, baterijo pa zapakirajte tako, da se v embalaži ne more premikati.
11. Ko odstranjujete akumulatorsko baterijo, jo vzemite iz orodja in varno zavržite. Upoštevajte lokalne uredbe glede odlaganja baterije.
12. Baterije uporabljajte le z izdelki, ki jih določi Makita. Če namestite baterije v neskladne izdelke, lahko pride do požara, pregrevanja, eksplozije ali puščanja elektrolita.
13. Če orodja dlje časa ne uporabljate, morate iz njega odstraniti baterijo.
14. Med uporabo in po uporabi lahko akumulatorska baterija postane vroča in povzroči opeklino. Z vročimi akumulatorskimi baterijami ravnajte pazljivo.
15. Ne dotikajte se priključka orodja takoj po uporabi, ker se lahko dovolj segreje, da povzroči opeklino.
16. Ne dovolite, da bi se v priključke, odprtine in utore akumulatorske baterije zlepi ostužki, prah ali zemlja. To lahko povzroči pregrevanje, požar, razpočenje in okvaro orodja ali akumulatorske baterije ter privede do opeklin ali drugih telesnih poškodb.
17. **Razen če orodje podpira uporabo v bližini visokonapetostnih električnih vodov, akumulatorske baterije ne uporabljajte v bližini visokonapetostnih električnih vodov.** Takšna uporaba lahko povzroči motnje v delovanju ali okvaro orodja oziroma akumulatorske baterije.
18. Baterijo hranite izven dosega otrok.

SHRANITE TA NAVODILA.

⚠ POZOR: Uporabljajte le originalne baterije Makita. Če uporabljate neoriginalne baterije Makita ali baterije, ki so bile spremenjene, lahko pride do eksplozije baterije in posledično do požara, telesnih poškodb ali materialne škode. S takšno uporabo boste tudi razveljavili garancijo Makita za orodje in polnilnik Makita.

Nasveti za ohranjanje največje zmogljivosti akumulatorja

1. Napolnite baterijski vložek, preden se v celoti izprazni. Ko opazite, da ima orodje manjšo moč, vedno ustavite delovanje orodja in napolnite baterijski vložek.
2. Nikoli znova ne polnite popolnoma napolnjena baterijskega vložka. Prenapolnjenje skrajša življenjsko dobo akumulatorja.
3. Baterijski vložek s sobno temperaturo polnite pri temperaturi okolja od 10 °C do 40 °C. Počkajte, da se vroč baterijski vložek pred polnjenjem ohladi.
4. Ko akumulatorske baterije ne uporabljate, jo odstranite iz orodja ali polnilnika.
5. Če baterijskega vložka ne uporabljate dalj časa (več kot 6 mesecev), ga napolnite.

OPIS DELOV

► SI.2

1	Akumulatorska baterija	2	Sprednji štيتnik	3	Ročica
4	Meč	5	Veriga žage	6	Nastavljalna številčnica
7	Lučka vklopa/izklopa	8	Glavno stikalo za vklop/izklop	9	Ročica za zaklep
10	Zadnji ročaj	11	Sprožilno stikalo	12	Sprednji ročaj
13	Pokrovček rezervoarja za olje	14	Pokrov meča	15	Prilagoditveni vijak (za oljno črpalko)
16	Lovilec verige	-	-	-	-

OPIS DELOVANJA

▲POZOR: Pred nastavljanjem ali preizkusom delovanja orodja se prepričajte, ali je orodje izključeno in ali je akumulatorska baterija odstranjena.

Nameščanje ali odstranjevanje akumulatorske baterije

▲POZOR: Vedno izklopite orodje, preden namestite ali odstranite akumulatorsko baterijo.

▲POZOR: Kadar nameščate ali odstranjujete akumulatorsko baterijo, trdno držite orodje in akumulatorske baterije ne držite trdno, se lahko zgodi, da vam zdrsne iz rok, posledica pa je lahko poškodba orodja in akumulatorske baterije ter telesna poškodba.

► SI.3: 1. Rdeči indikator 2. Gumb 3. Baterijski vložek

Če želite odstraniti akumulatorsko baterijo, jo potisnite iz orodja, pri tem pa pomikajte gumb na sprednji strani vložka.

Akumulatorsko baterijo vstavite tako, da poravnate jeziček na bateriji z utorom na ohišju in jo potisnete v ležišče. Potisnite jo do konca, da se zaskoči. Če vidite rdeči indikator, kot je prikazano na sliki, se akumulatorska baterija ni ustrezno zaskočila.










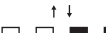
▲POZOR: Vedno namestite akumulatorsko baterijo tako, da rdeči indikator ni več viden. Če tega ne upoštevate, lahko baterija nepričakovano pade iz orodja in poškoduje vas ali osebe v neposredni bližini.

▲POZOR: Ne nameščajte akumulatorske baterije s silo. Če se akumulatorska baterija ne zaskoči zlahka, ni pravilno vstavljena.

Prikazuje preostalo raven napolnjenosti akumulatorja

Pritisnite gumb za preverjanje na baterijskem vložku, da preverite raven napolnjenosti akumulatorja. Indikatorne lučke na kratko zasvetijo.

► SI.4: 1. Indikatorne lučke 2. Gumb za preverjanje

Indikatorne lučke			Prizak preostale ravni napolnjenosti
 Sveti	 Ne sveti	 Utripa	
			od 75 % do 100 %
			od 50 % do 75 %
			od 25 % do 50 %
			od 0 % do 25 %
			Napolnite akumulator.
			Akumulator je morda okvarjen.
			

OPOMBA: Odvisno od pogojev uporabe in okoljske temperature se označba lahko nekoliko razlikuje od dejanske napolnjenosti.

OPOMBA: Prva opozorilna lučka (skrajno levo) bo utripala, ko sistem za zaščito akumulatorja deluje.

Zaščitni sistem orodja/akumulatorja

Orodje je opremljeno z zaščitnim sistemom za orodje/akumulator. Sistem samodejno prekine napajanje orodja, da podaljša življenjsko dobo orodja in akumulatorja. Orodje se samodejno zaustavi med delovanjem, če orodje ali akumulator delujeta pod naslednjimi pogoji:

Zaščita pred preobremenitvijo

Če orodje uporabljate tako, da povzroča čezmerno uporabo električnega toka, se orodje samodejno ustavi, lučka za vklop/izklop pa utripa zeleno. V tem primeru izklopite orodje in prekinite delo, ki je povzročilo preobremenitev orodja. Nato vklopite orodje, da ga znova zaženete.

Zaščita pred pregrevanjem

Če je orodje ali baterija pregreta, se orodje samodejno ustavi in lučka za vklop/izklop zasveti rdeče. V tem primeru počakajte, da se orodje in akumulator ohladiata, preden znova vklopite orodje.

OPOMBA: Pri visokih temperaturah bo verjetno delovala zaščita pred pregrevanjem, zaradi česar se bo orodje samodejno ustavilo.

Zaščita pred izpraznjenjem

Če zmogljivost baterije ni zadostna, se orodje samodejno ustavi in lučka za vklop/izklop utripa rdeče. V tem primeru odstranite akumulatorsko baterijo iz orodja in jo napolnite.

Zaščita pred drugimi vzroki

Sistem zaščite je zasnovan tudi za druge vzroke, ki bi lahko povzročili poškodbe orodja, in omogoča samodejno ustavitve orodja. Kadar se orodje začasno ustavi ali preneha delovati, izvedite vse naslednje korake, da odpravite vzroke.

1. Izklopite orodje in ga nato vklopite, da ga znova zaženete.
2. Napolnite baterijo ali jo zamenjajte z napolnjeno baterijo (po potrebi ponovite postopek še za drugo baterijo).
3. Počakajte, da se stroj in baterije ohladijo.

Če z obnovitvijo sistema zaščite ne odpravite težave, se obrnite na lokalni servisni center Makita.

OBVESTILO: Če se orodje ustavi zaradi razloga, ki ni opisan zgoraj, glejte razdelek za odpravljanje težav.

Glavno stikalo za vklop/izklop

⚠ OPOZORILO: Vedno izklopite glavno stikalo za vklop/izklop, ko orodja ne uporabljate.

Za vklop orodja pritisnite glavno stikalo za vklop/izklop. Glavna lučka za vklop/izklop zasveti zeleno. Za izklop znova pritisnite glavno stikalo za vklop/izklop.

► **SI.5:** 1. Lučka za vklop/izklop 2. Glavno stikalo za vklop/izklop

OPOMBA: Lučka za vklop/izklop utripa zeleno, če pritisnete sprožilec v pogojih, ko orodja ni mogoče uporabljati. Lučka utripa pod naslednjimi pogoji.

- Če vklopite glavno stikalo za vklop/izklop, ko držite ročico za zaklep in sprožilno stikalo.
- Če pritisnete sprožilec, ko je zavora verige pritisnjena.
- Če spustite zavoro verige, medtem ko držite ročico za zaklep in pritisnete sprožilec.

OPOMBA: To orodje uporablja funkcijo samodejnega izklopa. Če je glavno stikalo v položaju za vklop in sprožilca ne pritisnete nekaj časa, se glavno stikalo za vklop/izklop samodejno izklopi, da prepreči nenamerni zagon.

Delovanje stikala

⚠ OPOZORILO: Za večjo varnost je orodje opremljeno z ročico za zaklep, ki preprečuje nenamerni zagon orodja. **NIKOLI** ne uporabljajte orodja, kadar začne delovati, če hkrati s sprožilnim stikalom ne pritisnete tudi ročice za zaklep. **PRED** nadaljnjo uporabo orodje vrnite na pooblaščen servisni center, da ga ustrezno popravijo.

⚠ OPOZORILO: **NIKOLI** ne zalepite ročice za zaklep ali onemogočite njenega delovanja in funkcije.

⚠ POZOR: Preden vstavite akumulatorsko baterijo v orodje, se vedno prepričajte, da stikalo deluje brezhibno in se vrača v položaj za izklop (OFF), ko ga spustite.

OBVESTILO: Ne pritiskajte sprožilnega stikala s silo, ne da bi pri tem pritisnili ročico za zaklep. Stikalo se namreč lahko zlomi.

Za zaščito pred nehotenim vklopom sprožilca je orodje opremljeno z ročico za zaklep. Za zagon orodja hkrati pritisnete ročico za zaklep in sprožilec. Z močnejšim pritiskom na sprožilec se poveča hitrost orodja. Če želite ustaviti orodje, spustite sprožilec.

► **SI.6:** 1. Sprožilno stikalo 2. Ročica za zaklep

Pregled zavora verige

⚠ POZOR: Pri vklopu držite verižno žago trdno z obema rokama. Držite zadnji ročaj orodja z desno roko in sprednji ročaj z levo roko. Meč in veriga ne smeta biti v stiku z drugimi predmeti.

⚠ POZOR: Če se veriga pri tem pregledu ne ustavi v trenutku, žage ni dovoljeno zagnati. Posvetujte se z našim pooblaščenim servisom.

1. Pritisnite ročico za zaklep, nato pa sprožilno stikalo. Veriga se takoj zažene.
 2. S hrbiščem roke potisnite sprednji ščitnik naprej. Veriga žage se mora takoj ustaviti.
- **SI.7:** 1. Sprednji ščitnik 2. Odkljenen položaj 3. Zakljenen položaj

Pregled zavora izteka

⚠ POZOR: Če se veriga žage pri tem pregledu ne ustavi v eni sekundi, nehaite uporabljati žago in se posvetujte z našim pooblaščenim servisnim centrom.

Zaženite žago in nato popolnoma spustite sprožilno stikalo. Veriga se mora ustaviti v sekundi.

Nastavitev mazanja verige

Hitrost dovajanja črpalke za olje lahko nastavite s prilagoditvenim vijakom. Količino olja lahko prilagodite z uporabo univerzalnega ključa.

► **SI.8:** 1. Prilagoditveni vijak

MONTAŽA

⚠️ POZOR: Pred vsako izvedbo dela na orodju se prepričajte, da je le to izključeno in da je akumulatorska baterija odstranjena.

⚠️ POZOR: Verige žage se ne dotikajte z golimi rokami. Kadar rokujete z verigo, vedno nosite rokavice.

Namestitev ali odstranitev verige žage

⚠️ POZOR: Veriga žage in meč sta takoj po uporabi še vroča. Pred kakršnim koli delom na orodju počakajte, da se dovolj ohladita.

⚠️ POZOR: Verigo žage nameščajte ali odstranjujte v čistem prostoru, kjer ni lesnega prahu in podobnega.

Namestitev verige žage

Za namestitev verige žage izvedite naslednje korake:

1. Sprostite zavoro verige tako, da povlečete sprednji ščitnik.
2. Pritisnite rob ročice in jo povlecite navzgor.
▶ **SI.9:** 1. Ročica
3. Obrnite vzvod v nasprotni smeri urnega kazalca, da se verižnik sname.
▶ **SI.10:** 1. Ročica 2. Pokrov verižnika
4. Odstranite pokrov verižnika.
5. Preverite smer verige žage. Smer verige žage naj bo enaka oznaki na ohišju verižne žage.
▶ **SI.11:** 1. Oznaka na ohišju verižne žage
6. Namestite en konec verige žage na vrh meča.
7. Drugi konec verige žage ovijte okoli verižnika, nato pa pritrдите meč na ogrodje verižne žage.
▶ **SI.12:** 1. Verižnik
8. Obrnite nastavljalno številčnico v smeri „-“, da premaknete nastavljalni zatič v smeri puščice.
▶ **SI.13:** 1. Nastavljalna številčnica 2. Nastavljalni zatič
9. Namestite pokrov verižnika na verigo žage, tako da je nastavljalni zatič postavljen na majhno odprtino na meču.
▶ **SI.14:** 1. Pokrov verižnika 2. Meč 3. Odprtina
10. V celoti obrnite ročico v smeri urnega kazalca in nato nekoliko nazaj, da ohranite sproščenost za nastavitve napetosti verige.
11. Prilagodite napetost verige. Za postopek glejte razdelek o nastavljanju napetosti verige žage.
12. Obrnite ročico v smeri urnega kazalca, da se pokrov verižnika zaskoči, in jo nato znova pomaknite v izhodiščni položaj.
▶ **SI.15:** 1. Ročica 2. Pokrov verižnika

Odstranjanje verige žage

Za odstranjanje verige žage izvedite naslednje korake:

1. Sprostite zavoro verige tako, da povlečete sprednji ščitnik.
2. Obrnite nastavljalno številčnico v smeri „-“, da sprostite napetost verige žage.
▶ **SI.16:** 1. Nastavljalna številčnica
3. Pritisnite rob ročice in jo povlecite navzgor.
▶ **SI.17:** 1. Ročica
4. Obrnite vzvod v nasprotni smeri urnega kazalca, da se verižnik sname.
▶ **SI.18:** 1. Ročica 2. Pokrov verižnika
5. Odstranite pokrov verižnika ter nato odstranite verigo žage in meč z verižne žage.

Nastavitev napetosti verige

⚠️ POZOR: Verigo žage nameščajte ali odstranjujte v čistem prostoru, kjer ni lesnega prahu in podobnega.

⚠️ POZOR: Verige žage ne zategnite preveč. Če je veriga preveč napeta, lahko pride do poškodbe verige, prezgodnje obrabe meča ali zloma nastavljalne številčnice.

⚠️ POZOR: Preohlapna veriga lahko odkakuje in povzroči nesrečo.

Veriga se po več delovnih urah lahko sprosti. Zato pred zagonom občasno preverjajte napetost verige.

1. Pritisnite rob ročice in jo povlecite navzgor.
▶ **SI.19:** 1. Ročica
2. Obrnite ročico v nasprotni smeri urnega kazalca, da rahlo sprostite pokrov verižnika.
▶ **SI.20:** 1. Ročica 2. Pokrov verižnika
3. Rahlo dvignite meč in prilagodite napetost verige. Obrnite nastavljalno številčnico v smeri „-“, da sprostite verigo, in v smeri „+“, da jo zategnete. Zategujte verigo žage, dokler se spodnja stran verige žage ne prilega v vodilo meča, kot je prikazano na sliki.
▶ **SI.21:** 1. Nastavljalna številčnica 2. Meč 3. Veriga žage
4. Še vedno rahlo držite meč in nato zategnite pokrov verižnika. Preverite, ali se morda veriga žage na spodnji strani ne zrahlja.
5. Vrnite ročico v izhodiščni položaj.

Preverite, ali se veriga žage dobro prilega na spodnjo stran meča.

UPRAVLJANJE

Mazanje

▲POZOR: Verižne žage ne uporabljajte, ko je rezervoar prazen. Pravočasno zamenjajte olje, še preden je rezervoar prazen.

▲POZOR: Izogibajte se stika olja s kožo in z očmi. Olje draži oči. Če pride do stika z očmi, prizadeto oko takoj izperite s čisto vodo. Nato nemudoma poiščite zdravniško pomoč.

▲POZOR: Nikoli ne uporabljajte odpadnega olja. Odpadno olje vsebuje kancerogene snovi. Nečistoče v odpadnem olju povzročajo hitro obrabljanje oljne črpalke, meča in verige. Odpadno olje je okolju škodljivo.

OBVESTILO: Pri prvem zagonu verižne žage lahko traja do dve minuti, preden začne verižno olje mazati mehanizem žage. Zato naj žaga deluje nekaj časa brez obremenitve.

OBVESTILO: Pri prvem polnjenju verižnega olja ali pri polnjenju povsem izpraznjenega rezervoarja je treba olje nujno naliti do spodnjega roba polnilnega nastavka. V nasprotnem primeru se olje ne dovaja v zadostni meri.

OBVESTILO: Uporabljajte samo verižno olje, ki se uporablja za verižne žage Makita, ali enakovredno olje, ki je na voljo na trgu.

OBVESTILO: Nikoli ne uporabljajte olja, ki vsebuje prah in delce oz. hlapljivega olja.

OBVESTILO: Kadar obrezujete drevesa, uporabite rastlinsko olje. Mineralna olja lahko škodujejo drevesom.

OBVESTILO: Preden rezanem se prepričajte, da je priloženi pokrovček rezervoarja za olje na svojem mestu.

Veriga žage se samodejno maže, kadar orodje deluje. Redno preverjajte preostalo količino olja v rezervoarju za olje prek kontrolnega okenca za olje.

► **SI.22:** 1. Pokrovček rezervoarja za olje 2. Kontrolno okence za olje

Za dolivanje olja izvedite naslednje korake:

1. Da bi preprečili vstop umazanije v rezervoar za olje, temeljito očistite okolico pokrova rezervoarja za olje.
2. Verižno žago položite na stran.
3. Pritisnite gumb na pokrovčku rezervoarja za olje, da se dvigne gumb na drugi strani, pokrovček rezervoarja za olje pa odstranite z obračanjem.
► **SI.23:** 1. Pokrovček rezervoarja za olje 2. Zategnite 3. Odvijte
4. Rezervoar za olje napolnite z oljem. Ustrezna količina olja znaša 260 ml.
5. Trdno privijte pokrov rezervoarja za olje.

6. Odvečno verižno olje skrbno obrišite.

OPOMBA: Če je odstranjevanje pokrovčka rezervoarja za olje težavno, vstavite očesni ključ v režo pokrovčka rezervoarja za olje in nato pokrovček rezervoarja za olje odstranite, tako da ga obračate v nasprotni smeri urinega kazalca.

► **SI.24:** 1. Okvir 2. Očesni ključ

Ko dolijete olje, obdržite verižno žago v zraku. Zaženite jo in počakajte, da je veriga žage dovolj namazana.

► **SI.25**

Delo z verižno žago

▲POZOR: Uporabniki, ki jo prvič uporabljajo, morajo najprej pridobiti izkušnje z rezanjem debel na kozi za žaganje.

▲POZOR: Pri žaganju predhodno vrezanega lesa uporabljajte varno podporo (kozo za žaganje). Ne umirjajte obdelovanca s stolpom in ne dovolite, da ga drži ali umirja druga oseba.

▲POZOR: Okrogle obdelovance zavarujte pred vrtenjem.

▲POZOR: Med delovanjem motorja ne približujte delov telesa verigi.

▲POZOR: Kadar motor deluje, trdno držite verižno žago z obema rokama.

▲POZOR: Ne segajte predaleč. Vselej pazite na ustrezno oporo in ravnotežje.

OBVESTILO: Orodja ne smete metati ali ga spuščati na tla z višine.

OBVESTILO: Ne pokrivajte prezračevalnih odprtin orodja.

Pred vklopom naslonite spodnjo stran verižne žage na vejo, ki jo boste odrezali. Sicer lahko pride do majanja meča, posledica pa je telesna poškodba upravljavca. Les odžagate tako, da verižno žago pomikate navzdol, pri čemer izkoristite težo žage.

► **SI.26**

Če ne morete odrezati lesa v enem delovnem koraku: rahlo pritisnite na ročaj in nadaljujte z žaganjem, verižno žago pa malo povlecite nazaj; nato premaknite ostrogo malo nižje in dokončajte rez tako, da dvignete ročaj.

► **SI.27**

Odrezovanje

1. Naslonite spodnjo stran verižne žage na les, ki ga boste odrezali.

► **SI.28**

2. Zarežite z verižno žago v les. Medtem dvignite žago z zadnjim ročajem in jo vodite s sprednjim ročajem. Ostrogo uporabite kot vrtišče.

3. Nadaljujte z rahlim pritiskanjem na sprednji ročaj. Pri tem vlecite žago nekoliko nazaj. Prislonite ostrogo globlje in spet dvigajte sprednji ročaj.

OBVESTILO: Kadar režete več kosov lesa, veržno žago med posameznimi rezi izklopite.

⚠️ POZOR: Pri rezanju z zgornjo stranjo meča lahko žaga v primeru zagozdenja verige sunkovito udari proti uporabniku. Iz tega razloga režite s spodnjo stranjo meča, saj se žaga v primeru zagozdenja verige premakne stran od telesa.

► **SI.29**

Če režete napeti les, morate zarezati najprej na napeti strani (A). Nato izvedite ločilni rez na natezni strani (B). Na ta način lahko preprečite zagozdenje meča.

► **SI.30**

Obvejevanje

⚠️ POZOR: Obvejevanje smejo izvajati samo ustrezno usposobljene osebe. Obstaja nevarnost poškodb zaradi povratnega udarca.

Pri obvejevanju morate veržno žago podpreti čim bližje deblu. Nikoli ne žagajte s konico meča, da ne pride do povratnega udarca.

Bodite posebej pozorni na napete veje. Visečih vej ne režite od spodaj.

Med obvejevanjem ne smete stati na ležečem deblu.

Vbodni in vzdolžni rezi

⚠️ POZOR: Vbodne in vzdolžne reze smejo izvajati samo ustrezno usposobljene osebe. Obstaja nevarnost poškodb zaradi povratnega udarca.

Vzdolžne reze izvajajte pod čim manjšim kotom. Pri rezanju bodite posebej pozorni, saj ne morete uporabljati ostroge.

► **SI.31**

Podiranje dreves

⚠️ POZOR: Podiranje dreves smejo izvajati samo ustrezno usposobljene osebe. Delo je nevarno.

Pri podiranju dreves upoštevajte lokalne predpise.

► **SI.32:** 1. Območje podiranja dreves

- Pred začetkom podiranja drevesa zagotovite:
 - da se v območju podiranja dreves nahajajo samo delavci, ki dejansko sodelujejo pri podiranju;
 - da je zagotovljen varen umik vseh udeleženi oseb na obeh straneh osi podiranja pod kotom približno 45°. Upoštevajte povečano nevarnost spotikanja na električnem kablu;
 - da je vznožje debla očiščeno vseh tujkov, grmičevja in vej;
 - da se v območju 2 1/2 kratnika dolžine drevesa ne nahajajo niti osebe niti predmeti.

— Pri vsakem drevesu upoštevajte naslednje:

- smer nagiba;
- majave ali suhe veje;
- višino drevesa;
- naravni previs;
- trhllost drevesa.

— Upoštevajte hitrost in smer vetra. Dreves ni dovoljeno podirati ob močnih sunkih vetra.

— Obrezovanje oprjetih korenin: začnite pri največjih koreninah. Najprej naredite navpičen in nato vodoraven rez.

— Med padanjem drevesa se postavite bočno od drevesa. Oddaljite se v območju kota 45° v nasprotni smeri padanja drevesa (glejte sliko „Območje padanja“). Bodite pozorni na padajoče veje.

— Treba je načrtovati izhodno pot in jo po potrebi očistiti pred začetkom rezanja. Izhodna pot se mora raztezati nazaj in hrbtno diagonalno od pričakovane linije padanja, kot je prikazano na sliki.

► **SI.33:** 1. Smer padanja 2. Območje nevarnosti 3. Izhodna pot

Pri podiranju dreves upoštevajte naslednje postopke:

1. Zasek naj bo izrezan čim bolj pri tleh. Najprej naredite vodoraven rez v globini, ki znaša 1/5–1/3 premera debla. Zasek ne sme biti prevelik. Nato naredite poševni rez.

► **SI.34**

OPOMBA: Zasek določa smer padanja in vodi drevo med padanjem. Zasek naredite na tisti strani, v katero naj pade drevo.

2. Ločilni rez naredite nekoliko višje od spodnjega roba zaseka. Ločilni rez mora biti izveden v natančni vodoravni liniji. Pred zasekom naj ostane približno 1/10 premera debla kot prelomni del. V neprežaganem deblu služi prelomni del kot tečaj. V ločilni rez pravočasno vstavite kline.

► **SI.35**

⚠️ OPOZORILO: Pod nobenim pogojem ne prežagajte prelomnega dela. Če ga prežagate, bo drevo nenadzorovano padlo.

OBVESTILO: Ločilni rez smete zavarovati samo s klini iz plastike ali aluminija. Uporaba železnih klinov je prepovedana.

Prenašanje orodja

Pred prenašanjem orodja pritisnite zavoro verige in odstranite akumulatorsko baterijo iz orodja. Nato namestite pokrov meča. Prav tako pokrijte akumulatorsko baterijo s pokrovom akumulatorja.

► **SI.36:** 1. Pokrov meča 2. Pokrov akumulatorja

VZDRŽEVANJE

▲ POZOR: Preden se lotite pregledovanja ali vzdrževanja orodja, se vedno prepričajte, da je orodje izklopljeno in akumulatorska baterija odstranjena.

▲ POZOR: Med pregledi ali vzdrževanjem vedno uporabljajte rokavice.

OBVESTILO: Nikoli ne uporabljajte bencina, razredčila, alkohola ali podobnega sredstva. V tem primeru se lahko orodje razbarva ali deformira oziroma lahko nastanejo razpoke.

VARNO in ZANESLJIVO delovanje tega izdelka bo zagotovljeno le, če boste popravila, vzdrževanje in nastavitve prepustili pooblaščenemu servisu za orodja Makita ali tovarniškemu osebju, ki vgrajuje izključno originalne nadomestne dele.

Brušenje verige žage

Verigo nabrusite:

- če opazite mokasto žagovino pri žaganju vlečnega lesa;
- če veriga tudi pri močnejšem pritisku le stežka prodira v les;
- če je rezilni rob vidno poškodovan;
- če žago med prodiranjem v les vleče postrani v levo ali desno (do tega pride zaradi neenakomerno nabrusene verige ali zaradi enostranske poškodbe).

Verigo brusite pogosto, vendar s čim manjšim odvzemanjem materiala. Za brušenje praviloma zadoščajo dva do trije potegi s pilo. Po večkratnem ostrenju verige žage odnesite verigo na ostrenje v naš pooblaščen servisni center.

Merila za brušenje:

▲ OPOZORILO: Prevelik odmik med rezalnim robom in merilnikom globine poveča nevarnost povratnega udara.

- **SI.37:** 1. Dolžina rezalnega zobca 2. Odmik med rezalnim robom in merilnikom globine 3. Najmanjša dolžina rezalnega zobca (3 mm)

- Dolžine vseh rezalnih zobcev morajo biti enake. Različno visoki rezalni zobci povzročajo grob tek verige, zaradi katerega se veriga lahko pretrga.
- Verige ne brusite, ko so rezalni zobci visoki 3 mm ali manj. Verigo zamenjajte z novo.
- Debelina odrezkov je odvisna od odmika med omejevalnikom globine (okrogli rob) in rezalnim robom.
- Za doseganje maksimalne zmogljivosti rezanja mora odmik med rezalnim robom in omejevalnikom globine znašati.
 - Rezalni zobec verige 91PX: 0,65 mm
 - Rezalni zobec verige 80TXL: 0,65 mm

► **SI.38**

- Vsi rezalni zobci morajo biti nabruseni pod kotom 30°. Različni koti brušenja povzročijo grob, neenakomeren tek verige, hitro obrabljanje in pretrg verige.
- Uporabite primerno okroglo pilo, da lahko rezalne zobce brusite pod ustreznim kotom.
 - Rezalni zobec verige 91PX: 55°
 - Rezalni zobec verige 80TXL: 55°

Pila in vodenje pile

- Za brušenje verige uporabljajte posebno okroglo pilo za verige (izbirni dodatni pribor). Običajne okrogle pile niso primerne.
- Premer okrogle pile za vse verige žage je naslednji:
 - Rezalni zobec verige 91PX: 4,0 mm
 - Rezalni zobec verige 80TXL: 4,0 mm
- Pilo vodite tako, da brusi rezalni zobec samo med potiskanjem naprej. Med povratnimi gibi pilo dvignite z rezalnega zobca.
- Najprej nabrusite najkrajši rezalni zobec. Dolžina tega zobca naj potem služi kot merilo za višino vseh ostalih rezalnih zobcev verige žage.
- Pilo vodite v skladu s prikazom na sliki.
- **SI.39:** 1. Pila 2. Veriga žage
- Pilo je lažje voditi, če nanjo namestite držalo (dodatna oprema). Držalo ima oznake za pravilen kot brušenja 30° (oznake je treba poravnati vzporedno z verigo) in omejuje globino prodiranja (4/5 premera pile).
- **SI.40:** 1. Držalo pile

- Ko je veriga nabrusena, preverite višino omejevalnika globine z merilom za verige (dodatna oprema).

► **SI.41**

- Morebitne štrline, tudi če so minimalne, popravite s posebno ploščato pilo (dodatna oprema).
- Omejevalnik globine spredaj ponovno zaoblite.

Čiščenje meča

Odrezki in žagovina se bodo nabrali v utoru meča. Odrezki in žagovina lahko zamašijo utor meča in preprečijo pretok olja. Med ostrenjem ali zamenjavo verige žage vedno očistite odrezke in žagovino.

► **SI.42**

Čiščenje pokrova verižnika

Odrezki in žagovina se bodo nabrali v pokrovu verižnika. Odstranite pokrov verižnika in verigo z orodja in očistite odrezke in žagovino.

► **SI.43**

Čiščenje odprtine za izpust olja

Majhen prah ali delci se lahko med delovanjem nabe-rejo v odprtini za izpust olja. To lahko preprečuje pretok olja in povzroči nezadostno mazanje celotne verige žage. Če pride do slabega dovajanja verižnega olja na vrhu meča, očistite odprtino za izpust olja po naslednjem postopku.

1. Z orodja odstranite pokrov verižnika in verigo žage.
2. Droben prah ali delce odstranite s ploščatim izvijačem ali podobnim orodjem.
- **SI.44:** 1. Ploščati izvijač 2. Odprtina za izpust olja
3. Vstavite akumulatorsko baterijo v orodje. Povlecite sprožilno stikalo, da odstranite nabrani prah ali delce iz odprtine za izpust olja, tako da izpustite verižno olje.
4. Odstranite akumulatorsko baterijo iz orodja. Namestite pokrov verižnika in verigo žage nazaj na orodje.

Ponovno nameščanje verižnika

⚠ POZOR: Obrabljen verižnik bo poškodoval novo verigo žage. Verižnik je treba nujno zamenjati.

Preden namestite novo verigo, preglejte stanje verižnika.

► **SI.45:** 1. Verižnik 2. Obrabljeni deli

Pri vsaki menjavi verižnika je treba vstaviti nov vskočnik.

► **SI.46:** 1. Vsakočnik 2. Verižnik

OBVESTILO: Poskrbite, da je verižnik nameščen tako, kot prikazuje slika.

Shranjevanje orodja

1. Orodje pred shranjevanjem očistite. Odstranite vse odrezke in žagovino z orodja, preden odstranite pokrov verižnika.
2. Po čiščenju naj orodje deluje brez obremenitve, da se namažeta veriga žage in meč.
3. Meč pokrijte s pokrovom meča.
4. Izpraznite rezervoar za olje.

Navodila za periodično vzdrževanje

Za zagotavljanje dolge življenjske dobe in polnega delovanja varnostnih funkcij ter preprečevanje poškodb je treba redno izvajati naslednje postopke vzdrževanja. Zahtevki iz naslova garancije se lahko upoštevajo samo, če se ta dela izvajajo redno in pravilno. Če se predpisana vzdrževanja ne izvajajo, lahko pride do nesreč! Uporabnik verižne žage ne sme izvajati vzdrževalnih del, ki niso opisana v navodilih za uporabo. Vsa takšna dela mora izvesti pooblaščen servisni center.

Element za pregled/čas delovanja		Pred delovanjem	Vsak dan	Vsak teden	Vsake 3 mesece	Letno	Pred shranjevanjem
Verižna žaga	Pregled.	✓	-	-	-	-	-
	Čiščenje.	-	✓	-	-	-	-
	Posvetujte se pri pooblaščenem servisnem centru.	-	-	-	-	✓	✓
Veriga žage	Pregled.	✓	-	-	-	-	-
	Brušenje po potrebi.	-	-	-	-	-	✓
Meč	Pregled.	✓	✓	-	-	-	-
	Odstranite z verižne žage.	-	-	-	-	-	✓
Zavora verige	Preverite delovanje.	✓	-	-	-	-	-
	Reden pregled pri pooblaščenem servisnem centru.	-	-	-	✓	-	-
Mazanje verige	Preverite hitrost dovajanja olja.	✓	-	-	-	-	-
Sprožilno stikalo	Pregled.	✓	-	-	-	-	-
Ročica za zaklep	Pregled.	✓	-	-	-	-	-
Pokrovček rezervoarja za olje	Preverite nepredušnost.	✓	-	-	-	-	-
Lovilec verige	Pregled.	-	-	✓	-	-	-
Vijaki in matice	Pregled.	-	-	✓	-	-	-

ODPRAVLJANJE TEŽAV

Preden zahtevate popravilo, izvedite lasten pregled. Če naletite na težavo, ki ni pojasnjena v navodilih, ne poskušajte razstavljati orodja. Namesto tega se obrnite na pooblaščen servis Makita. Pri popravilih vedno uporabljajte nadomestne dele Makita.

Okvara	Vzrok	Posredovanje
Verižna žaga se ne zažene.	Akumulatorska baterija ni nameščena.	Namestite napolnjeno akumulatorsko baterijo.
	Težava z akumulatorjem (nizka napetost).	Znova napolnite akumulatorsko baterijo. Če z vnovičnim polnjenjem ne odpravite težave, zamenjajte akumulatorsko baterijo.
	Glavno stikalo za vklop/izklop je v položaju za izklop.	Verižna žaga se samodejno izklopi, če je nekaj časa ne uporabljate. Znova preklonite glavno stikalo za vklop/izklop v položaj za vklop.
Veriga žage ne teče.	Zavora verige je aktivirana.	Sprostite zavoro verige.
Motor se zaustavi po kratkem času uporabe.	Raven napoljenosti akumulatorja je nizek.	Znova napolnite akumulatorsko baterijo. Če z vnovičnim polnjenjem ne odpravite težave, zamenjajte akumulatorsko baterijo.
Na verigi ni olja.	Rezervoar za olje je prazen.	Napolnite rezervoar za olje.
	Žleb za olje je umazan.	Očistite žleb.
	Slabo dovajanje olja.	Prilagodite količino dovajanega olja s prilagoditvenim vijakom.
Verižna žaga ne doseže največje hitrosti.	Akumulatorska baterija ni pravilno nameščena.	Namestite akumulatorsko baterijo, kot je opisano v tem priročniku.
	Zmogljivost akumulatorja se zmanjšuje.	Znova napolnite akumulatorsko baterijo. Če z vnovičnim polnjenjem ne odpravite težave, zamenjajte akumulatorsko baterijo.
	Pogonski sistem ne deluje pravilno.	O popravilu se pozanimajte v pooblaščenem servisnem centru v vaši regiji.
Lučka za vklop/izklop utripa zeleno.	Sprožilno stikalo je pritisnjeno v pogojih, ko orodja ni mogoče uporabljati.	Pritisnite sprožilno stikalo, ko je glavno stikalo za vklop/izklop v položaju za vklop in je zavora verige sproščena.
Veriga se ne zaustavi, tudi če je zavora verige aktivirana: Orodje takoj ustavite!	Pas zavore je obrabljen.	O popravilu se pozanimajte v pooblaščenem servisnem centru v vaši regiji.
Neobičajno vibriranje: Orodje takoj ustavite!	Sprostite meč ali verigo žage.	Prilagodite napetost meča ali verige.
	Okvara orodja.	O popravilu se pozanimajte v pooblaščenem servisnem centru v vaši regiji.
Verige žage ni mogoče namestiti.	Uporabljena je neustrezna kombinacija verige žage in verižnika.	Uporabite ustrezno kombinacijo verige žage in verižnika, kot je navedeno v razdelku s tehničnimi podatki.

DODATNA OPREMA

⚠️ POZOR: Ta dodatni pribor ali pripomočki so predvideni za uporabo z orodjem Makita, ki je opisano v teh navodilih za uporabo. Pri uporabi drugega pribora ali pripomočkov obstaja nevarnost telesnih poškodb. Dodatni pribor ali pripomočke uporabljajte samo za navedeni namen.

⚠️ OPOZORILO: Ob nakupu meča, ki je daljši ali krajši od standardnega meča, kupite tudi primeren pokrov meča. Ko je pokrov meča nameščen na verižni žagi, se mora prilegati meču in ga v celoti prekriti.

OPOMBA: Nekateri predmeti na seznamu so lahko priloženi orodju kot standardna dodatna oprema. Lahko se razlikujejo od države do države.

Za več informacij o dodatni opremi se obrnite na najbližji pooblaščen servis za orodja Makita.

- Veriga žage
- Meč
- Pokrov meča
- Pila
- Vrečka za orodje
- Originalna akumulator in polnilnik Makita

SPECIFIKIMET

Modeli:	UC014G	UC015G	UC016G	UC017G
Gjatësia totale (pa shufër udhëzuese)	445 mm			
Tensioni nominal	D.C. 36 V - 40 V maks.			
Pesha neto	*1	4,5 kg		
	*2	6,2 - 6,9 kg		
Gjatësia e shufrës udhëzuese standarde	300 mm	350 mm	400 mm	450 mm
Gjatësia e rekomanduar e shufrës udhëzuese	300 - 450 mm			
Lloji i aplikueshëm i zinxhirit të sharrës (referojuni tabelës më poshtë)	91PX 80TXL			
Rrotëza e dhëmbëzuar (91PX)	Numri i dhëmbëve	6		
	Palca	3/8"		
Rrotëza e dhëmbëzuar (80TXL)	Numri i dhëmbëve	7		
	Palca	0,325"		
Shpejtësia e zinxhirit	0 - 25,5 m/s (0 - 1 530 m/min)			
Vëllimi i depozitës së vajit të zinxhirit	260 cm ³			
Shkalla e mbrojtjes	IPX4			

• Për shkak të programit tonë të vazhdueshëm të kërkim-zhvillimit, specifikimet që jepen këtu mund të ndryshojnë pa dhënë njoftim.

• Specifikimet mund të ndryshojnë nga njëri shtet në tjetrin.

*1: Pesha, pa sharrën me zinxhirin e sharrës, shufrën udhëzuese, kapakun e shufrës udhëzuese, vajin dhe kutinë(të) e baterisë.

*2: Kombinimi më i lehtë dhe më i rëndë i peshës, sipas Procedurës EPTA 01/2014. Pesha mund të ndryshojë në varësi të aksesorit(ëve), duke përfshirë kutinë(të) e baterisë.

Kombinimi i zinxhirit të sharrës, shufrës udhëzuese dhe rrotëzës së dhëmbëzuar

Lloji i zinxhirit të sharrës		91PX			
Numri i lidhjeve të nguljes		46	52	56	62
Shufra udhëzuese	Gjatësia e shufrës udhëzuese	300 mm	350 mm	400 mm	450 mm
	Gjatësia e prerjes	268 mm	324 mm	361 mm	418 mm
	Palca	3/8"			
	Matësi	1,3 mm			
	Lloji	Shufra e hundës së rrotës së dhëmbëzuar			
Rrotëza e dhëmbëzuar	Numri i dhëmbëve	6			
	Palca	3/8"			

Lloji i zinxhirit të sharrës		80TXL			
Numri i lidhjeve të nguljes		51	59	64	70
Shufra udhëzuese	Gjatësia e shufrës udhëzuese	300 mm	350 mm	400 mm	450 mm
	Gjatësia e prerjes	259 mm	325 mm	366 mm	416 mm
	Palca	0,325"			
	Matësi	1,1 mm			
	Lloji	Shufra e hundës së rrotës së dhëmbëzuar			
Rrotëza e dhëmbëzuar	Numri i dhëmbëve	7			
	Palca	0,325"			

▲ PARALAJMËRIM: Përdorni kombinimin e duhur të shufrës udhëzuese dhe zinxhirit të sharrës. Ndryshe mund të shkaktohen lëndime personale.

Kutia e aplikueshme e baterisë dhe karikuesi

Kutia e baterisë	BL4040 / BL4050F* *: Bateria e rekomanduar
Karikuesi	DC40RA / DC40RB / DC40RC

- Disa prej kutive të baterive dhe karikuesve të renditura më lart mund të mos jenë të disponueshme në varësi të zonës ku ju banoni.

⚠ PARALAJMËRIM: Përdorni vetëm kutitë e baterisë dhe karikuesit e listuar më lart. Përdorimi i karikuesve dhe kutive të tjera të baterisë mund të shkaktojë lëndim dhe/ose zjarr.

Rekomandohet burim energjie i lidhur me kordon

Paketë elektrike portative	PDC01
----------------------------	-------

- Burimet e energjisë të lidhura me kordon të listuara më lart mund të mos jenë të disponueshme në varësi të zonës ku banoni.
- Përpara se të përdorni burimin e energjisë të lidhur me kordon, lexoni udhëzimet dhe shënimet e kujdesit në to.

Simbolet

Pjesët në vazhdim tregojnë simbolet që mund të përdoren për pajisjen. Sigurohuni që merrni vesh kuptimin e tyre përpara përdorimit.

	Lexoni manualin e përdorimit.
	Mbani syze mbrojtëse.
	Mbani mbrojtëse për veshët.
	Mbani helmët, syze dhe mbrojtëse për veshët.
	Gjatësia maksimale e lejuar
	Gjithmonë përdorni të dyja duart kur përdorni zinxhirin e sharrës.
	Kujdes nga sprapsja e sharrës me zinxhir dhe shmangni kontaktin me majën e shufrës.
	Drejtimi i lëvizjes së zinxhirit
	Rregullimi i vajit të zinxhirit të sharrës



Vetëm për shtetet e BE-së
Për shkak të pranisë së komponentëve të rrezikshëm në pajisje, mbetjet e pajisjeve elektronike dhe elektrike, akumulatorët dhe bateritë, mund të kenë ndikim negativ në mjedis dhe në shëndetin e njerëzve. Mos i hidhni pajisjet elektrike dhe elektronike ose bateritë me mbetjet shtëpiake!
Në përputhje me Direktivën Evropiane për mbetjet e pajisjeve elektrike dhe elektronike, akumulatorët dhe bateritë, dhe mbetjet e akumulatorëve dhe baterive, si dhe përfshirjen e saj në ligjin kombëtar, mbetjet e pajisjeve elektrike dhe elektronike, akumulatorëve dhe baterive, duhet të mbahen veçmas dhe të dorëzohen në një pikë grumbullimi të veçantë për mbetjet komunale, duke vepruar në përputhje me rregulloret e mbrojtjes së mjedisit.
Kjo tregohet nga simboli i koshit të plehrave me kryq, të vendosur mbi pajisje.



Niveli i garantuar i fuqisë së zhurmës sipas Direktivës së BE-së për Nivelin e Zhurmës Jasthtë.



Niveli i fuqisë së zhurmës sipas Rregullores së Australisë NSW për Kontrollin e Zhurmës

Përdorimi i synuar

Kjo sharrë me zinxhir është projektuar për prerjen e drurit.

Zhurma

Niveli tipik i zhurmës A, i matur sipas EN62841-4-1:

Modeli UC014G

Niveli i presionit të zhurmës (L_{pA}): 91 dB (A)

Niveli i fuqisë së zhurmës (L_{WA}): 102 dB (A)

Pasiguria (K): 3 dB (A)

Modeli UC015G

Niveli i presionit të zhurmës (L_{pA}): 91 dB (A)

Niveli i fuqisë së zhurmës (L_{WA}): 102 dB (A)

Pasiguria (K): 3 dB (A)

Modeli UC016G

Niveli i presionit të zhurmës (L_{pA}): 91 dB (A)

Niveli i fuqisë së zhurmës (L_{WA}): 102 dB (A)

Pasiguria (K): 3 dB (A)

Modeli UC017G

Niveli i presionit të zhumës (L_{pA}): 91 dB (A)

Niveli i fuqisë së zhumës (L_{WA}): 102 dB (A)

Pasiguria (K): 3 dB (A)

SHËNIM: Vlerat e deklaruar totale të emetimeve të zhumës janë matur sipas një metode standarde testimi dhe mund të përdoren për të krahasuar një vegël me një tjetër.

SHËNIM: Vlerat e deklaruar të emetimeve të zhumës mund të përdoren për një vlerësim paraprak të ekspozimit.

▲ PARALAJMËRIM: Mbani mbrojtëse për veshët.

▲ PARALAJMËRIM: Emetimet e zhumës gjatë përdorimit aktual të veglës elektrike mund të ndryshojnë nga vlerat e deklaruar në varësi të mënyrave sesi përdoret vegla, veçanërisht nga lloji i materialit të punës që përdoret.

▲ PARALAJMËRIM: Vërtetoni që masat e sigurisë për mbrojtjen e përdoruesit bazohen në vlerësimin e ekspozimit ndaj kushteve aktuale të përdorimit (duke marrë parasysh të gjitha pjesët e ciklit të funksionimit si ato kur pajisja është e fikur dhe punon pa prerë ashtu edhe kohën e përdorimit).

Dridhja

Vlera totale e dridhjeve (shuma e vektorit me tre akse) përcaktohet sipas EN6284 1-4-1:

Modeli UC014G

Regjimi i punës: prerja e drurit

Emetimi i dridhjeve ($a_{h,w}$): 5,0 m/s²

Pasiguria (K): 1,5 m/s²

Modeli UC015G

Regjimi i punës: prerja e drurit

Emetimi i dridhjeve ($a_{h,w}$): 5,0 m/s²

Pasiguria (K): 1,5 m/s²

Modeli UC016G

Regjimi i punës: prerja e drurit

Emetimi i dridhjeve ($a_{h,w}$): 5,0 m/s²

Pasiguria (K): 1,5 m/s²

Modeli UC017G

Regjimi i punës: prerja e drurit

Emetimi i dridhjeve ($a_{h,w}$): 5,0 m/s²

Pasiguria (K): 1,5 m/s²

SHËNIM: Vlerat e deklaruar totale të dridhjeve janë matur sipas një metode standarde testimi dhe mund të përdoren për të krahasuar një vegël me një tjetër.

SHËNIM: Vlerat e deklaruar totale të dridhjeve mund të përdoren për një vlerësim paraprak të ekspozimit.

▲ PARALAJMËRIM: Emetimet e dridhjeve gjatë përdorimit aktual të veglës elektrike mund të ndryshojnë nga vlerat e deklaruar në varësi të mënyrave sesi përdoret vegla, veçanërisht nga lloji i materialit të punës që përdoret.

▲ PARALAJMËRIM: Vërtetoni që masat e sigurisë për mbrojtjen e përdoruesit bazohen në vlerësimin e ekspozimit ndaj kushteve aktuale të përdorimit (duke marrë parasysh të gjitha pjesët e ciklit të funksionimit si ato kur pajisja është e fikur dhe punon pa prerë ashtu edhe kohën e përdorimit).

Deklarata e konformitetit me KE-në

Vetëm për shtetet evropiane

Deklarata e konformitetit me KE-në përfshihet si Shtojca A në këtë manual përdorimi.

PARALAJMËRIME SIGURIE

Paralajmërimet e përgjithshme për sigurinë e veglës

▲ PARALAJMËRIM: Lexoni të gjitha paralajmërimet për sigurinë, udhëzimet, ilustrimet dhe specifikimet e dhëna me këtë vegël elektrike. Mosndjekja e të gjitha udhëzimeve të renditura më poshtë mund të shkaktojë goditje elektrike, zjarr dhe/ose lëndim të rëndë.

Ruajini të gjitha paralajmërimet dhe udhëzimet për të ardhmen.

Termi “vegël elektrike” në paralajmërimet referohet veglës elektrike që përdoret e lidhur në prizë (me kordon) ose veglës së përdorur me bateri (pa kordon).

Paralajmërimet të përgjithshme për sigurinë e sharrës me zinxhir

- Mbajini të gjitha pjesët e trupit larg zinxhirit të sharrës ndërkohë që sharra me zinxhir është duke punuar. Përpara se të ndizni sharrën me zinxhir, sigurohuni që sharra të mos ketë prekur asgjë. Një moment hutimi gjatë punës me sharrën me zinxhir mund të shkaktojë ngecjen e rrobave ose trupit në sharrë.**
- Gjithmonë mbajeni sharrën me zinxhir me dorën e djathtë në pjesën e pasme dhe me dorën e majtë në dorezën e përparme. Mbajnja e sharrës me zinxhir në vendosje të anasjelltë të duarve rrit rrezikun e lëndimit personal dhe nuk duhet bërë kurrë.**
- Mbajeni sharrën me zinxhir vetëm nga sipërfaqet mbajtëse të izoluar sepse zinxhiri i sharrës mund të ketë kontakt me telat elektrikë të fshehur. Zinxhiri i sharrës që ka kontakt me një tel elektrik “të ngarkuar” mund të “ngarkojë” pjesët metalike të ekspozuara të sharrës me zinxhir dhe mund t'i japë punëtorit goditje elektrike.**
- Mbani mbrojtëse për sytë. Rekomandohen pajisjet e tjera mbrojtëse për dëgjimin, kokën, duart, këmbët dhe shpatat. Pajisjet e përshtatshme mbrojtëse pakësojnë lëndimin personal nga copëzat fluturuese ose nga kontakti aksidental me zinxhirin e sharrës.**
- Mos e përdorni sharrën me zinxhir në pemë, mbi shkallë, nga një çati ose ndonjë vend mbështetës i paqëndrueshëm. Përdorimi i një zinxhiri sharre në këtë mënyrë mund të shkaktojë lëndime personale të rënda.**

6. **Mbajini këmbët në mënyrën e duhur dhe përdorni sharrën me zinxhir vetëm kur qëndroni në sipërfaqe të palëvizshme, të sigurt dhe të niveluar.** Sipërfaqet e rrëshqitshme apo të paqëndrueshme mund shkaktojnë humbjen e ekuilibrit apo kontrollit të sharrës me zinxhir.
 7. **Bëni kujdes nga zbrapsjet kur prisni degë të tendosura.** Dega e tendosur mund ta godasë punëtorin dhe/ose ta nxjerrë sharrën me zinxhir jashtë kontrollit kur ndodh lëshimi i fibrave të drurit.
 8. **Bëni shumë kujdes kur prisni degë të thata ose pemë të reja.** Materiali i hollë mund të kapë zinxhirin e sharrës dhe t'ju godasë ose t'ju rrezojë.
 9. **Mbajini sharrën me zinxhir nga doreza e përparme kur sharra të jetë e fikur dhe larg nga trupi.** Vendosni kapakun e shufrës udhëzuese sa herë që transportoni ose magazinoni sharrën me zinxhir. Transportimi i duhur i sharrës me zinxhir pakëson mundësinë e kontaktit aksidental me zinxhirin e sharrës.
 10. **Ndiqui udhëzimet për lubrifikimin, tendosjen e zinxhirit dhe ndërrimin e shufrës dhe zinxhirit.** Zinxhiri i tendosur ose i lubrifikuar në mënyrë jo të duhur mund të thyhet ose mund të shtojë mundësinë e forcave zbrapsëse.
 11. **Prisni vetëm dru. Mos e përdorni sharrën me zinxhir për qëllime për të cilat nuk është prodhuar. Për shembull: mos e përdorni sharrën me zinxhir për prerjen e materialeve metalike, plastike, materialeve prej tulle ose materialeve të ndërtimit jo prej druri.** Përdorimi i sharrës me zinxhir për veprime të ndryshme nga ato për të cilat është prodhuar mund të rezultojë në situata të rrezikshme.
 12. **Mos u përipiqi të rrëzoni një pemë derisa të keni kuptuar rreziqet dhe se si t'i shmangni ato.** Mund të ndodhin lëndime të rënda ndaj përdoruesit ose personave rrotull gjatë rrëzimit të një peme.
 13. **Shkaqet dhe parandalimi i forcave zbrapsëse të punëtorit:**
Forcat zbrapsëse mund të ndodhin kur pjesa e përparme ose maja e shufrës udhëzuese prekin një objekt ose kur druri afrohet dhe bllokon zinxhirin e sharrës në pikëprerje. Në disa raste, kontakti me majën mund të shkaktojë një reagim të kundërt të papritur, duke e goditur shufrën udhëzuese lart dhe drejt punëtorit. Bllokimi i zinxhirit të sharrës përgjatë shufrës udhëzuese mund ta kthejë shufrën menjëherë mbrapa drejt punëtorit. Secili prej këtyre reagimeve mund t'ju shkaktojë humbjen e kontrollit të sharrës, gjë e cila mund të rezultojë në lëndim të rëndë personal. Mos u mbështetni vetëm në pajisjet mbrojtëse të integruara në sharrë. Si përdorues i sharrës me zinxhir, duhet të ndërmerrni disa hapa që të shmangni aksidente ose lëndime gjatë prerjeve. Zbrapsja është rezultat i keqpërdorimit dhe/ose procedurave ose kushteve të pasakta të përdorimit të sharrës me zinxhir dhe mund të shmanget duke marrë masat e mëposhtme parandaluese:
 - Mbajeni sharrën me zinxhir të shtrënguar, duke i vendosur gishtat rreth dorezave të saj dhe të dyja duart mbi sharrë, dhe poziciononi trupin dhe krahun në mënyrë që të mund t'i rezistoni forcave zbrapsëse. Nëse merren masat e duhura parandaluese, punëtori mund t'i kontrollojë forcat zbrapsëse. Mos e lëshoni sharrën me zinxhir.
- **Fig.1**
- **Mos e kaloni dhe mos prisni mbi lartësinë e shpatullave.** Kjo ndihmon parandalimin e kontaktit të pasynuar me majën dhe mundëson kontroll më të mirë të sharrës me zinxhir në situata të papritura.
 - **Përdorni vetëm shufrat udhëzuese dhe zinxhirët e sharrës të specifikuar nga prodhuesi.** Shufrat udhëzuese dhe zinxhirët e sharrës jo të duhur mund të shkaktojnë këputjen e zinxhirit dhe/ose zbrapsje.
 - **Ndiqui udhëzimet e prodhuesit mbi mprehjen dhe mirëmbajtjen e zinxhirit të sharrës.** Ulja e nivelit të matësit të thellësisë mund të shkaktojë zbrapsje të tepërt.
14. **Ndiqui të gjitha udhëzimet kur pastroni materialet e ngecura, kur magazinoni ose i kryeni shërbimin sharrës me zinxhir.** Sigurohuni që çelësi të jetë i fikur dhe të jetë hequr paketa e baterisë. Aktivizimi i papritur i sharrës me zinxhir gjatë pastrimit të materialit të ngecur ose shërbimit mund të rezultojë në lëndime të rënda personale.

Udhëzime shtesë mbi sigurinë

Pajisjet për mbrojtjen personale

1. Rrobat duhet të jenë të puthitura pas trupit, por të mos pengojnë lëvizjen.
2. Vishni rrobat e mëposhtme mbrojtëse gjatë punës:
 - Helmete sigurie të testuar, nëse rreziku paraqitet nga degë që bien ose ndonjë gjë e ngjashme;
 - Maskë për fytyrën ose syze mbrojtëse;
 - Mbrojtëse të përshatshme për veshët (kufje të mëdha, tapa të zakonshme ose elastike për veshët). Analiza "Octave" e markës sipas kërkesës.
 - Doreza sigurie të qëndrueshme prej lëkure;
 - Pantallona të gjata prej materiali të fortë;
 - Rroba pune mbrojtëse prej materiali rezistues ndaj prerjes;
 - Këpuçë ose çizme me suall jo të rrëshqitshëm, me maja çeliku dhe prej materiali izolimi rezistues ndaj prerjes;
 - Maskë për frymëmarrjen kur kryhen punë që prodhojnë pluhur (p.sh. prerja e drurëve të thatë).

Përdorimi

1. **Përpara se të filloni punën, kontrolloni që zinxhiri i sharrës punon siç duhet dhe që gjendja e tij është në përputhje me rregullat e sigurisë. Veçanërisht kontrolloni që:**
 - Freni i zinxhirit funksionon siç duhet;
 - Freni i ndalimit funksionon siç duhet;
 - Kapaku i fletës dhe i rrotës udhëzuese të jetë vendosur siç duhet;
 - Zinxhiri të jetë mprehur dhe tendosur në përputhje me rregulloret.

2. **Mos e ndizin sharrën me zinxhir me kapak të vënë.** Ndezja e sharrës me zinxhir me kapak të vënë mund të sjellë kërcimin e kapakut përpara duke shkaktuar lëndim të personit dhe dëmtimin e objekteve rreth përdoruesit.
3. **Kur e përdorni veglën në tokë me baltë, pjerrësi të lagur, ose vend të lagur, kushtojini kujdes vendosjes së këmbëve.**
4. **Mos e zhytni veglën në pellgje.**
5. **Mos e lini veglën të pamonitoruar përjashta në shi.**

Siguria elektrike dhe e baterisë

1. **Shmangni mjediset e rrezikshme. Mos e përdorni veglën në vende të lagështa ose të lagura dhe mos e ekspozoni ndaj shiut.** Uji që hyn në vegël mund të rrisë rrezikun e goditjeve elektrike.
2. **Mos e hidhni baterinë(të) në zjarr.** Ajo mund të shpërthejë. Kontrolloni kodet vendore për udhëzime të mundshme të veçanta të hedhjes.
3. **Mos e hapni dhe mos e shformoni baterinë(të).** Elektroliti i çliruar është gërryes dhe mund të dëmtojë sytë ose lëkurën. Ai mund të jetë toksik nëse gëlltitet.
4. **Mos e karikoni baterinë në shi ose në vende të lagura.**
5. **Mos e karikoni baterinë në ambiente të jashtme.**
6. **Mos e manovroni me duar të lagura karikuesin, as spinën dhe kontaktet e tij.**
7. **Mos e zëvendësoni baterinë në shi.**
8. **Mos e zëvendësoni baterinë me duar të lagura.**
9. **Mos e lini baterinë në shi, dhe as mos e karikoni ose magazinoni baterinë në një vend të njomë ose të lagur.**
10. **Mos e lagni terminalin e baterisë me lëngje si uji, ose mos e zhytni baterinë.** Nëse terminali laget ose brenda baterisë hyn lëng, bateria mund të krijojë qark të shkurtër dhe ka rrezik mbinxehjeje, zjarri ose shpërthimi.
11. **Pas heqjes së baterisë nga makineria ose karikuesi, sigurohuni që ta bashkoni kapakun e baterisë me baterinë dhe ta ruani në një vend të thatë.**
12. **Nëse kutia e baterisë laget, kullojeni ujin brenda dhe fshijeni me një leckë të thatë. Thajeni kutinë e baterisë plotësisht në një vend të thatë përpara përdorimit.**

Mirëmbajtja dhe ruajtja

1. **Kur magazinoni veglën, shmangni dritën e drejtpërdrejtë të diellit dhe shiun, dhe ruajeni në një vend ku nuk nxehet apo njomet.**

RUAJINI KËTO UDHËZIME.

⚠ PARALAJMËRIM: MOS lejoni që njohja ose familjarizimi me produktin (të fituara nga përdorimi i shpeshtë) të zëvendësojnë zbatimin me përpikëri të rregullave të sigurisë për produktin në fjalë. KEQPËRDORIMI ose mosndjekja e rregullave të sigurisë të dhëna në këtë manual përdorimi mund të shkaktojë dëmtime të rënda personale.

Udhëzime të rëndësishme rreth sigurisë për kutinë e baterisë

1. **Përpara se ta përdorni kutinë e baterisë, lexoni të gjitha udhëzimet dhe shënimet e masave parandaluese të (1) ngarkuesi i baterisë, (2) bateria dhe (3) produkti që përdor baterinë.**
 2. **Mos e gmontoni ose dëmtoni kutinë e baterisë.** Kjo mund të shkaktojë zjarr, nxehtësi të lartë ose shpërthim.
 3. **Nëse koha e përdorimit është shkurtuar jashtë mase, ndalojeni punën menjëherë.** Kjo mund të rezultojë në rrezik mbinxehjeje, djegie të mundshme, madje edhe shpërthim.
 4. **Nëse ju futen elektrolitit në sy, shpëlajini sytë me ujë të pastër dhe kërkoni ndihmë mjekësore menjëherë.** Kjo gjë mund të rezultojë në humbje të shikimit.
 5. **Mos bëni lidhje të shkurtër me kutinë e baterisë:**
 - (1) **Mos i prekni terminalet me materiale përcjellëse.**
 - (2) **Shmangni ruajtjen e kutisë së baterisë në një kuti me objekte të tjera metalike, si gozhdë, monedha etj.**
 - (3) **Mos e ekspozoni kutinë e baterisë në ujë ose shi.**
- Qarku i shkurtër i baterisë mund të shkaktojë qarkullim të madh të rrymës elektrike, mbinxehje, djegie të mundshme dhe madje prishje.**
6. **Mos e ruani dhe mos e përdorni pajisjen dhe kutinë e baterisë në vende ku temperatura mund të arrijë ose tejkalojë 50 °C (122 °F).**
 7. **Mos e digjni kutinë e baterisë, edhe nëse është shumë e dëmtuar ose është konsumuar plotësisht. Kutia e baterisë mund të shpërthejë në zjarr.**
 8. **Mos e shponi, pritni, shtypni, hidhni apo rrëzoni kutinë e baterisë apo ta goditni kutinë e baterisë me një objekt të fortë.** Një sjellje e tillë mund të shkaktojë zjarr, nxehtësi të lartë ose shpërthim.
 9. **Mos përdorni bateri të dëmtuar.**
 10. **Bateritë e përfshira të litiumit, u nënshtrohen kërkesave të legjislatimit për mallrat e rrezikshme.**

Për transport tregtar p.sh. nga palë të treta, agentë të ndërmjetëm, duhet të ndiqen kërkesa specifike mbi paketimin dhe etiketimin.

Për përgatitjen e artikullit për transport, është i nevojshëm konsultimi i një eksperti për materiale të rrezikshme. Ju lutemi, ndiqni gjithashtu rregulloret me gjasë më të detajuara vendore. Mbuloni me ngjithëse ose maskoni kontaktet e zhveshura dhe paketojeni baterinë në mënyrë të tillë që të mos lëvizë në paketim.
 11. **Kur hidhni kutinë e baterisë, hiqeni nga vegla dhe hidhni në një vend të sigurt. Zbatoni rregulloret lokale rreth hedhjes së baterisë.**

12. Përdorini bateritë vetëm me produktet e specifikuar nga Makita. Instalimi i baterive në produkte të papajteshme mund të rezultojë në zjarr, nxehtësi të lartë, shpërthim ose rrjedhje të elektroliteve.
13. Nëse vegla nuk përdoret për një periudhë të gjatë kohe, bateria duhet të hiqet nga vegla.
14. Gjatë dhe pas përdorimit, kutia e baterisë mund të nxehet, gjë që mund të shkaktojë djegie ose djegie në temperaturë të ulët. Tregoni kujdes gjatë manovrimit të kutive të nxehta të baterive.
15. Mos prekni terminalin e veglës menjëherë pas përdorimit pasi mund të nxehet aq shumë sa të shkaktojë djegie.
16. Mos lejoni që grumbullimin e ashklave, pluhurave ose papastërtive në terminalet, vrimat ose kanalet e kutisë së baterisë. Mund të shkaktojë ngrohje, marrje flakë, plasje dhe avari të veglës ose të kutisë së baterisë, duke rezultuar në djegie ose lëndime personale.
17. Përveç kur vegla e mbështet përdorimin pranë linjave elektrike me voltazh të lartë, mos e përdorni kutinë e baterisë pranë linjave elektrike me voltazh të lartë. Kjo mund të shkaktojë një defekt ose dëmtim të veglës ose të kutisë së baterisë.
18. Mbajeni baterinë larg fëmijëve.

RUAJINI KËTO UDHËZIME.

▲KUJDES: Përdorni vetëm bateri origjinale Makita. Përdorimi i baterive jo-origjinale Makita ose baterive që mund të jenë modifikuar, mund të rezultojë në marrjen flakë të baterisë, lëndime personale apo dëmtime. Kjo do të anulohë gjithashtu edhe garancinë e Makita-s për veglën e Makita-s dhe ngarkuesin.

Këshilla për të ruajtur jetëgjatësinë maksimale të baterisë

1. Ngarkojeni baterinë përpara se të shkarkohet plotësisht. Gjithmonë ndaloni punën me pajisjen dhe ngarkoni baterinë kur vëreni ulje të fuqisë së pajisjes.
2. Asnjëherë mos e ringarkoni baterinë e ngarkuar plotësisht. Mbingarkimi shkurton jetëgjatësinë e shërbimit të baterisë.
3. Ngarkojeni baterinë në temperaturën e dhomës në 10 °C - 40 °C. Lëreni kutinë e nxehtë të baterisë të ftohet përpara se ta ngarkoni atë.
4. Kur nuk e përdorni kutinë e baterisë, hiqeni atë nga vegla ose karikuesi.
5. Ngarkojeni baterinë nëse nuk e përdorni për një kohë të gjatë (mbi gjashtë muaj).

PËRSHKRIMI I PJESËVE

► Fig.2

1	Kutia e baterisë	2	Mbrojtësja e përparme e dorës	3	Leva
4	Shufra udhëzuese	5	Zinxhiri i sharrës	6	Disku rregullues
7	Llamba e rrymës kryesore	8	Çelësi i rrymës kryesore	9	Leva e bllokimit
10	Doreza e pasme	11	Këmbëza e çelësit	12	Doreza e përparme
13	Kapaku i depozitës së vajit	14	Kapaku i shufrës udhëzuese	15	Vida rregulluese (për pompën e vajit)
16	Kapësi i zinxhirit	-	-	-	-

PËRSHKRIMI I PUNËS

▲KUJDES: Sigurohuni gjithmonë që vegla të jetë e fikur dhe kutia e baterisë të jetë hequr përpara se ta rregulloni apo t'i kontrolloni funksionet e veglës.

Instalimi ose heqja e kutisë së baterisë

▲KUJDES: Fikeni gjithmonë veglën përpara se të instaloni ose hiqni kutinë e baterisë.

▲KUJDES: Mbajeni fort veglën dhe kutinë e baterisë kur montoni ose hiqni kutinë e baterisë. Mosmbajta fort e veglës dhe e kutisë së baterisë mund të bëjë që t'ju rrëshqasin nga duart dhe të shkaktojë dëmtim të veglës dhe të kutisë së baterisë, si dhe lëndim personal.

► **Fig.3:** 1. Treguesi i kuq 2. Butoni 3. Kutia e baterisë

Për të hequr kutinë e baterisë, rrëshqiteni atë nga vegla ndërsa rrëshqisni butonin në pjesën e përparme të kutisë së baterisë.

Për të vendosur kutinë e baterisë, bashkërendisni gjuhëzën e kutisë së baterisë me kanalin e folesë dhe rrëshqiteni për ta futur. Futeni deri në fund, derisa të kërcasë dhe të bllokohet në vend. Nëse shikoni treguesin e kuq siç tregohet në figurë, nuk është e bllokuar plotësisht.

▲KUJDES: Vendoseni gjithnjë plotësisht kutinë e baterisë derisa treguesi i kuq të mos duket. Në të kundërt, ajo mund të bjerë aksidentalisht nga vegla duke ju lënduar juve ose personin pranë jush.

▲KUJDES: Mos e vendosni me forcë kutinë e baterisë. Nëse kutia nuk hyn lehtë, nuk po e futni siç duhet.

Treguesi i kapacitetit të mbetur të baterive

Shtypni butonin e kontrollit në kutinë e baterisë për të treguar kapacitetin e mbetur të baterisë. Llambat treguese ndizen për pak sekonda.

► **Fig.4:** 1. Llambat treguese 2. Butoni i kontrollit

Llambat treguese			Kapaciteti i mbetur
Ndezur	Fikur	Duke pulsuar	
■	□	▣	75% deri 100%
■ ■ ■ ■	□ □ □ □	▣	
■ ■ ■ ■	□ □ □ □	▣	50% deri 75%
■ ■ ■ ■	□ □ □ □	▣	25% deri 50%
■ ■ ■ ■	□ □ □ □	▣	0% deri 25%
▣	□ □ □ □	▣	Ngarkojeni baterinë.
■ ■ ■ ■	□ □ □ □	▣	Llambushka mund të ketë keqfunksionuar.
□ □ □ □	■ ■ ■ ■	▣	

SHËNIM: Në varësi të kushteve të përdorimit dhe të temperaturës së ambientit, treguesi mund të ndryshojë paksa nga kapaciteti aktual.

SHËNIM: Llamba e parë e treguesit (në fund majtas) do të pulsojë kur sistemi i mbrojtjes së baterisë është në punë.

Sistemi i mbrojtjes së veglës/ baterisë

Vegla është e pajisur me një sistem të mbrojtjes së veglës/baterisë. Ky sistem ndërpret automatikisht energjinë në motor për të zgjatur jetëgjatësinë e veglës dhe baterisë. Vegla do të ndalojë automatikisht gjatë punës nëse vegla ose bateria janë vendosur sipas një prej kushteve të mëposhtme:

Mbrojtja nga mbingarkesa

Nëse bateria përdoret në mënyrë të tillë që të kërkojë nivele të larta anormale rryme, ajo ndalon automatikisht dhe llamba e rrymës kryesore pulson në të gjelbër. Në këtë situatë, fikeni veglën dhe ndaloni punën që shkaktoi mbingarkesën e veglës. Pastaj ndizeni veglën për ta rinisur.

Mbrojtja ndaj mbinxehjes

Kur vegla ose bateria është mbinxehur, vegla ndalon automatikisht dhe llamba e rrymës kryesore ndizet në të kuqe. Në këtë rast, lëreni veglën dhe baterinë të ftohet përpara se ta ndizni sërish.

SHËNIM: Në mjedis me temperaturë të lartë, mbrojtja nga mbinxehja mund të vihet në veprim dhe vegla ndalon automatikisht.

Mbrojtja nga mbishkarkimi

Kur kapaciteti i baterisë nuk mjafton, vegla ndalon automatikisht dhe llamba e rrymës kryesore pulson në të kuqe. Në këtë rast, hiqeni baterinë nga vegla dhe karikojeni.

Mbrojtjet nga shkaqe të tjera

Sistemi i mbrojtjes është menduar edhe për shkaqe të tjera që mund ta dëmtojnë veglën dhe i lejon veglës të ndalojë automatikisht. Ndërmerrni të gjitha hapat e mëposhtëm për të zgjidhur rastet, kur vegla ka arritur në ndalim të përkohshëm apo ndërprerje të punës.

1. Fikeni veglën dhe pastaj rindizeni për të rifilluar.
2. Karikoni baterinë ose ndërrojini me bateri të karikuara.
3. Lëreni makinerinë dhe baterinë të ftohen.

Nëse nuk vini re ndonjë përmirësim me rivendosjen e sistemit të mbrojtjes, kontaktoni qendrën vendore të shërbimit të Makita.

VINI RE: Nëse vegla ndalon për një shkak që nuk është përshkruar më lart, referojuni seksionit për ndreqjen e problemeve.

Çelësi i rrymës kryesore

⚠ PARALAJMËRIM: Gjithmonë fikeni çelësin e rrymës kryesore kur nuk është në përdorim.

Për ta ndezur veglën, shtypni çelësin e rrymës kryesore. Llamba kryesore e energjisë ndizet në të gjelbër. Për ta fikur, shtypni sërish çelësin kryesor të energjisë.

► **Fig.5:** 1. Llamba e rrymës kryesore 2. Çelësi i rrymës kryesore

SHËNIM: Llamba e rrymës kryesore pulson në të gjelbër nëse këmbëza e çelësit tërhiqet në kushte ku nuk mund të përdoret. Llamba pulson në një prej kushteve të mëposhtme.

- Kur ndizni çelësin e rrymës kryesore gjatë kohës që mbani shtypur levën e zhblokimit dhe këmbëzën e çelësit.
- Kur tërhiqni këmbëzën e çelësit gjatë kohës që është aplikuar freni i zinxhirit.
- Kur lëshoni frenin e zinxhirit ndërkohë që mbani shtypur levën e zhblokimit dhe tërhiqni këmbëzën e çelësit.

SHËNIM: Kjo vegël përdor funksionin e fikjes automatike. Për të shmangur ndezjen pa dashje, çelësi i rrymës kryesore do të mbyllet automatikisht kur këmbëza e çelësit nuk është tërhequr për një periudhë të caktuar kohe pas ndezjes së çelësit të rrymës kryesore.

Veprimi i ndërrimit

⚠ PARALAJMËRIM: Për sigurinë tuaj, kjo vegël është pajisur me një levë bllokimi e cila parandalon nisjen e paqëllimshme të veglës. Mos e përdorni KURRË veglën nëse fillon të punojë pasi të keni tërhequr vetëm këmbëzën e çelësit pa shtypur levën e bllokimit. Çojeni veglën në qendrën tonë të autorizuar të shërbimit për riparimet e duhura PËRPARA përdorimit të mëtejshëm.

⚠ PARALAJMËRIM: Mos e lidhni dhe as mos e parandaloni KURRË qëllimin dhe funksionin e levës së bllokimit.

⚠ KUUJDES: Përpara se ta vendosni kutinë e baterisë në vegël, kontrolloni gjithmonë nëse çelësi është në pozicionin e duhur dhe nëse kthehet në pozicionin "OFF" (fikur) kur lëshohet.

VINI RE: Mos e tërhiqni fort këmbëzën e çelësit pa shtypur levën e bllokimit. Kjo mund të shkaktojë thyerjen e çelësit.

Për të parandaluar tërheqjen aksidentale të këmbëzës së çelësit, vegla është pajisur me një levë zhblokimi. Për ta ndezur veglën lëshoni levën e zhblokimit dhe tërhiqni këmbëzën e çelësit. Shpejtësia e veglës rritet me rritjen e trysnisë në këmbëzën e çelësit. Lëshoni këmbëzën e çelësit për ta fikur.

► **Fig.6:** 1. Këmbëza e çelësit 2. Leva e bllokimit

Kontrolli i frenit të zinxhirit

⚠ KUUJDES: Mbajeni sharrën me zinxhir me të dyja duart kur e ndizni. Kapni dorezën e pasme me dorën e djathtë, dorezën e përparme me të majtën. Shufra dhe zinxhiri nuk duhet të prekin asnjë objekt.

⚠ KUUJDES: Nëse zinxhiri i sharrës nuk ndalon menjëherë gjatë kryerjes së këtij testi, sharra nuk duhet të përdoret në asnjë mënyrë. Konsultohuni me qendrat tona të autorizuar të shërbimit.

1. Shtypni levën e bllokimit, më pas tërhiqni këmbëzën e çelësit. Zinxhiri i sharrës do të ndizet menjëherë.

2. Shtypni mbrojtësen e përparme të duarve me pjesën e sipërme të dorës suaj. Sigurohuni që sharra me zinxhir të ndalojë menjëherë.

► **Fig.7:** 1. Mbrojtësja e përparme e dorës 2. Pozicioni i zhblokuar 3. Pozicioni i bllokuar

Kontrolli i frenit të ngadalësimit

⚠ KUUJDES: Nëse zinxhiri i sharrës nuk ndalon brenda një sekonde në këtë test, ndaloni përdorimin e sharrës me zinxhir dhe konsultohuni me qendrën tonë të autorizuar të shërbimit.

Vëreni në punë sharrën me zinxhir dhe më pas lëshoni plotësisht këmbëzën e çelësit. Zinxhiri i sharrës duhet të ndalojë plotësisht brenda një sekonde.

Rregullimi i lubrifikimit të zinxhirit

Ju mund të ndryshoni normën e furnizimit me vaj nga vida përshtatëse. Sasia e vajit mund të përshtatet me çelës universal.

► **Fig.8:** 1. Vida rregulluese

MONTIMI

⚠ KUUJDES: Sigurohuni gjithmonë që vegla të jetë e fikur dhe kutia e baterisë të jetë hequr përpara se të kryeni ndonjë punë në vegël.

⚠ KUUJDES: Mos e prekni zinxhirin e sharrës me duar të zhveshura. Mbani gjithmonë doreza kur punoni me zinxhirin e sharrës.

Instalimi ose heqja e zinxhirit të sharrës

⚠ KUUJDES: Zinxhiri i sharrës dhe shufra udhëzuese akoma janë të nxehta pas përdorimit. Lëri në ftohen para se të kryeni punë me veglën.

⚠ KUUJDES: Procedurën për heqjen ose instalimin e zinxhirit të sharrës kryejeni në një vend të pastër pa tallash dhe gjëra të ngjashme.

Instalimi i zinxhirit të sharrës

Për të instaluar zinxhirin e sharrës, ndiqni hapat e mëposhtëm:

1. Lironi frenin e zinxhirit duke tërhequr mbrojtësen e përparme të duarve.
2. Tërhiqni levën lart ndërkohë që shtypni fundin e saj.
▶ **Fig.9:** 1. Leva
3. Rrotullojeni levën në drejtim të akrepave të orës derisa të hiqet kapaku i rrotës së dhëmbëzuar.
▶ **Fig.10:** 1. Leva 2. Kapaku i rrotës së dhëmbëzuar
4. Hiqni kapakun e rrotës së dhëmbëzuar.
5. Kontrolloni drejtimin e zinxhirit të sharrës. Përputhni drejtimin e zinxhirit të sharrës me atë të shenjës në trupin e zinxhirit të sharrës.
▶ **Fig.11:** 1. Shenja në trupin e zinxhirit të sharrës
6. Montoni njërin skaj të zinxhirit të sharrës në pjesën e sipërme të shufrës drejtuese.
7. Vendosni skajin tjetër të zinxhirit të sharrës rreth rrotës së dhëmbëzuar, më pas montoni shufrën udhëzuese në trupin e sharrës me zinxhir.
▶ **Fig.12:** 1. Rrotëza e dhëmbëzuar
8. Rrotulloni diskun e rregullimit në drejtim “-” për të rrëshqitur kunjin rregullues në drejtimin e shigjetës.
▶ **Fig.13:** 1. Disku rregullues 2. Kunji rregullues
9. Vendoseni kapakun e rrotës së dhëmbëzuar mbi sharrën me zinxhir në mënyrë që kunjii rregullues të vendoset në një vrimë të vogël të shufrës udhëzuese.
▶ **Fig.14:** 1. Kapaku i rrotës së dhëmbëzuar 2. Shufra udhëzuese 3. Vrima
10. Rrotulloni levën plotësisht në drejtim të akrepave të orës dhe kthejeni pak levën mbrapa për të mbajtur lirshmërinë e përshtatjes së tendosjes së zinxhirit.
11. Rregulloni tendosjen e zinxhirit. Për procedurën, shihni seksionin për rregullimin e tendosjes së zinxhirit të sharrës.
12. Rrotulloni levën në drejtim të akrepave të orës derisa kapaku i rrotës me dhëmbëzim të jetë i siguruar dhe më pas kthejeni në pozicionin fillestar.
▶ **Fig.15:** 1. Leva 2. Kapaku i rrotës së dhëmbëzuar

Heqja e zinxhirit të sharrës

Për të hequr zinxhirin e sharrës, ndiqni hapat e mëposhtëm:

1. Lironi frenin e zinxhirit duke tërhequr mbrojtësen e përparme të duarve.
2. Kthejeni diskun e rregullimit në drejtim “-” për të liruar tendosjen e zinxhirit të sharrës.
▶ **Fig.16:** 1. Disku rregullues
3. Tërhiqni levën lart ndërkohë që shtypni fundin e saj.
▶ **Fig.17:** 1. Leva
4. Rrotullojeni levën në drejtim të akrepave të orës derisa të hiqet kapaku i rrotës së dhëmbëzuar.
▶ **Fig.18:** 1. Leva 2. Kapaku i rrotës së dhëmbëzuar
5. Hiqni kapakun e rrotës së dhëmbëzuar dhe më pas hiqni zinxhirin e sharrës dhe shufrën udhëzuese nga trupi i sharrës me zinxhir.

Rregullimi i tendosjes së zinxhirit të sharrës

▲KUJDES: Procedurën për heqjen ose instalimin e zinxhirit të sharrës kryejeni në një vend të pastër pa tallash dhe gjëra të ngjashme.

▲KUJDES: Mos e shtrëngoni zinxhirin e sharrës më shumë se sa duhet. Një tendosje tepër e madhe e zinxhirit të sharrës mund të shkaktojë prishjen e zinxhirit të sharrës, konsumimin e shufrës udhëzuese dhe prishjen e diskut rregullues.

▲KUJDES: Një zinxhir jo i tendosur sa duhet mund të dalë nga shufra dhe mund të shkaktojë aksident të rëndë.

Zinxhiri i sharrës mund të lirohet pas shumë orësh përdorimi. Herë pas here kontrolloni tendosjen e zinxhirit përpara përdorimit.

1. Tërhiqni levën lart ndërkohë që shtypni fundin e saj.
▶ **Fig.19:** 1. Leva
2. Rrotullojeni pak levën në drejtim të kundërt të akrepave të orës për të liruar paksa kapakun e rrotës së dhëmbëzuar.
▶ **Fig.20:** 1. Leva 2. Kapaku i rrotës së dhëmbëzuar
3. Ngrijeni lart lehtë majën e shufrës udhëzuese dhe rregulloni tendosjen e zinxhirit. Rrotulloni diskun rregullues në drejtimin “-” për ta liruar, rrotullojeni në drejtimin “+” për ta shtrënguar. Shtrëngoni zinxhirin e sharrës derisa ana e poshtme e zinxhirit të sharrës të puthitet në shinën e shufrës udhëzuese si në ilustrim.
▶ **Fig.21:** 1. Disku rregullues 2. Shufra udhëzuese 3. Zinxhiri i sharrës
4. Mbajeni lehtë shufrën udhëzuese dhe shtrëngoni kapakun e rrotës së dhëmbëzuar. Sigurohuni që zinxhiri i sharrës të mos lirohet në anën e poshtme.
5. Kthejeni levën në pozicionin e saj fillestar. Sigurohuni që zinxhiri i sharrës të puthitet ngushtë me anën e poshtme të shufrës.

PËRDORIMI

Vajosja

▲KUJDES: Mos e përdorni sharrën me zinxhir kur depozita është bosh. Rimbusheni me vaj në kohën e duhur përpara se depozita të zbrastet.

▲KUJDES: Mos lejoni që vaji të prekë lëkurën dhe sytë. Kontakti në sy shkakton irritim. Në rast se prek sytë, shpëlajini mirë sytë menjëherë me ujë të pastër, pastaj paraqituni menjëherë te mjeku.

▲KUJDES: Asnjëherë mos përdorni vaj të përdorur. Vaji i përdorur përmban substanca kancerogjene. Ndodhësit në vajin e përdorur përshpejtojnë konsumimin e pompës së vajit, të shufrës dhe të zinxhirit. Vaji i përdorur është i dëmshëm për mjedisin.

VINI RE: Kur sharra me zinxhir përdoret për herë të parë, mund të duhen rreth dy minuta që vaji i sharrës me zinxhir të nisë efektin e tij lubrifikues në mekanizmat e sharrës. Vëreni sharrën në punë pa ngarkesë derisa lubrifikimi të nisë.

VINI RE: Kur mbushni vajin e zinxhirit për herë të parë, ose kur mbushni depozitën pasi është boshatisur krejtësisht, shtoni vaj deri në skajin e fundit të pompës. Përndryshe mbushja e vajit mund të jetë e pasaktë.

VINI RE: Përdorni vetëm vajin ekskluziv të zinxhirit të sharrës për sharrat me zinxhir Makita ose vavra ekuivalente që disponohen në treg.

VINI RE: Kurrë mos përdorni vaj me pluhur dhe grimca apo vaj që avullon.

VINI RE: Kur krasitni pemë, përdorni vaj botanik. Vaji mineral i dëmton pemët.

VINI RE: Para se të filloni prerjen, sigurohuni që kapaku i depozitës së vajit të jetë vidhosur tamam.

Zinxhiri i sharrës lubrifikohet automatikisht kur vegla është në përdorim. Kontrolloni sasinë e vajit të mbetur në depozitën e vajit në mënyrë periodike përmes dritares së kontrollit të vajit.

► **Fig.22:** 1. Kapaku i depozitës së vajit 2. Dritarja e kontrollit të vajit

Për të mbushur vajin, ndiqni hapat e mëposhtëm:

1. Pastrojeni mirë zonën rreth kapakut të depozitës së vajit për të parandaluar hyrjen e pluhurit në depozitën e vajit.

2. Shtrijeni sharrën me zinxhir nga ana.

3. Shtypni butonin mbi kapakun e depozitës së vajit në mënyrë që butoni në anën tjetër të qëndrojë lart, dhe më pas hiqni kapakun e depozitës së vajit duke e rrotulluar.

► **Fig.23:** 1. Kapaku i depozitës së vajit 2. Shtrëngimi 3. Lirimi

4. Mbusheni depozitën e vajit me vaj. Sasia e duhur e vajit është 260 ml.

5. Vëreni sërish në vend kapakun e depozitës së vajit dhe shtrengojeni fort.

6. Fshini me kujdes vajin e zinxhirit që mund të derdhet.

SHËNIM: Nëse është e vështirë që të hiqet kapaku i depozitës së vajit, futni çelësin me tub në të çarën e kapakut të depozitës së vajit dhe më pas hiqeni kapakun e depozitës së vajit duke e rrotulluar në drejtim të kundërt të akrepave të orës.

► **Fig.24:** 1. E çara 2. Çelësi me tub

Pas rimbushjes, mbajeni sharrën me zinxhir larg nga pema. Filloni dhe prisni derisa lubrifikimi i zinxhirit të sharrës të jetë i përshtatshëm.

► **Fig.25**

Puna me sharrën me zinxhir

▲KUJDES: Personi që e përdor për herë të parë, duhet të presë kërcunjt mbi këmbalec druri ose tavolinë, si praktikë për fillestarë.

▲KUJDES: Kur sharroni lëndë drusore të prerë më parë, përdorni një mbështetëse të sigurt (këmbalec druri ose tavolinë). Mos e mbështesni drurin që pritet me këmbë dhe mos lejoni askënd që ta mbajë apo ta fiksojë.

▲KUJDES: Mbajeni fort pjesët rumbullake që të mos rrotullohen.

▲KUJDES: Mbajeni të gjitha pjesët e trupit larg zinxhirit të sharrës ndërkohë që motori është duke punuar.

▲KUJDES: Mbajeni sharrën me zinxhir fort me të dyja duart ndërsa motori është duke punuar.

▲KUJDES: Mos u zgjatni më shumë seç duhet. Mbani në çdo moment këmbët në pozicionin e duhur dhe ruani ekuilibrin.

VINI RE: Asnjëherë mos e tundni apo e lëshoni në tokë veglën.

VINI RE: Mos i mbulon vrimat e ajrimit të veglës.

Prekeni cepin e poshtëm të trupit të sharrës me zinxhir me degën që do të pritët para se ta ndizni. Në të kundërt mund të shkaktojë lëkundjen e shufrës udhëzuese, duke shkakuar lëndim të operatorit. Sharrojeni drurin që do të pritët thjesht duke e lëvizur poshtë duke përdorur peshën e sharrës me zinxhir.

► **Fig.26**

Nëse nuk mund të prisni lëndë drusore me një goditje: Ushtroni presion të lehtë në dorezë dhe vazhdoni të sharroni dhe tërhiqeni pak prapa sharrën me zinxhir; pastaj vendoseni dhëmbëzimin pak më poshtë dhe mbarojeni prerjen duke ngritur dorezën.

► **Fig.27**

Prerja e trupave të pemëve

1. Vendoseni cepin e poshtëm të trupit të sharrës me zinxhir mbi drurin që do të pritët.

► **Fig.28**

2. Me zinxhirin e sharrës të ndezur, sharroni drurin duke përdorur ndërkohë dorezën e pasme për të peshuar sharrën dhe atë të përparme për ta drejtuar. Përdorni amortizatorin me maja si aks.

3. Vazhdoni të prisni duke ushtruar presion të lehtë në dorezën e përparme, duke e tërhequr ngadalë sharrën nga pas. Shtyjeni amortizatorin me maja edhe më tepër në lëndën e drurit dhe ngrini sërish dorezën e përparme.

VINI RE: Kur bëni disa prerje, fikeni sharrën me zinxhir pas çdo prerjeje.

▲KUJDES: Nëse skaji i sipërm i shufrës përdoret për prerje, sharra me zinxhirë mund të mënjanohet në drejtimin tuaj nëse zinxhiri ngeç. Për këtë arsye, prisni me skajin e poshtëm, në mënyrë që sharra të mënjanohet larg trupit tuaj.

► **Fig.29**

Kur prisni dru që është i tendosur, pritni në fillim anën e trysnisë (A). Më pas bëni prerjen përfundimtare në anën e tendosur (B). Kjo nuk lejon që shufra të ngeçë.

► **Fig.30**

Heqja e degëve nga trupi

▲KUJDES: Prerja e degëve nga trupi mund të kryhet vetëm nga persona të trajnuar.

Kundërveprimi paraqet rrezik.

Gjatë prerjes së degëve mbështeteni sharrën me zinxhir mbi trung, nëse është e mundur. Mos prisni me majën e shufrës sepse kjo mund të paraqesë rrezik kundërveprimi. Kushtojuni kujdes të veçantë degëve të tendosura. Mos prisni nga poshtë degët që janë pa mbështetje. Mos rriini mbi trungun e prerë gjatë prerjes së degëve.

Prerjet me gropa dhe prerjet paralele me fjet e drurit

▲KUJDES: Prerjet me gropa dhe paralele me fjet e drurit mund të kryhen vetëm nga persona me trajnim të veçantë. Mundësia e kundërveprimit krijon rrezikun e lëndimit.

Prerjet paralele me fjet e drurit bëjini në një kënd sa më të cekët që të jetë e mundur. Kushtoni kujdes të madh kur kryeni prerjen sepse nuk mund të përdoret amortizatori në maja.

► **Fig.31**

Prerja e pemëve

▲KUJDES: Prerja e pemëve mund të kryhet vetëm nga persona të trajnuar. Puna është e rrezik.

Nëse dëshironi të prisni një pemë duhet ta bëni në respektim të rregulloreve lokale.

► **Fig.32:** 1. Zona e prerjes

- Përpara se të nisni prerjen e një pemë, sigurohuni që:
 - Në afërsi të mjedisit të jenë vetëm personat që përfshihen në veprimtarinë e prerjes;
 - Çdo person i përfshirë ka një rrugë tërheqjeje pa pengesa në një shkallë prej afërsisht 45° e secilës anë të boshtit të prerjes. Merrni në konsideratë dhe rrezikun shtesë të rënies së pemëve në kabllo të elektrike;
 - Baza e trungut të mos ketë objekte të huaja, rrënjë dhe shtëpi afër;
 - Të mos ketë asnjë person ose objekte në një distancë prej 2 1/2 e gjatësisë së pemës në drejtimin ku do të bjerë pema.
- Në lidhje me çdo pemë merrni në konsideratë aspektet e mëposhtme:
 - Drejtimin nga është e anuar;
 - Degët gati të prera ose të thata;
 - Gjatësinë e pemës;
 - Përkuljen natyrale;
 - Nëse pema është e kalbur ose jo.
- Llogarisni shpejtësinë dhe drejtimin e erës. Mos e prisni pemën nëse era fryn me furi.
- Krasitja e rrënjëve të dukshme: Nisni me rrënjët më të mëdha. Në fillim bëni prerjet vertikale, më pas ato horizontale.

— Qëndrimi në anë të pemës që bie. Mbani një zonë të pastër pas pemës që shembet deri në një kënd prej 45° nga secila anë e boshtit të pemës (referojuni figurës për "zonën e prerjes"). Bëni kujdes nga rënia e degëve.

— Duhet të planifikohet dhe pastrohet një rrugë largimi sipas nevojës para se të nisni prerjen. Rruga e largimit duhet të kalojë nga pas dhe diagonalisht me pjesën e pasme të linjës ku pema pritet që të bjerë, siç ilustron në figurë.

► **Fig.33:** 1. Drejtimi i prerjes 2. Zona e rrezikut 3. Rruga e largimit

Kur priten pemë, ndiqni procedurat e mëposhtme:

1. Bëni prerje të pjerrët sa më afër tokës. Në fillim bëni prerjen horizontale në një thellësi 1/5-1/3 të diametrit të trungut. Mos e bëni prerjen e pjerrët shumë të madhe. Më pas bëni prerjen diagonale.

► **Fig.34**

SHËNIM: Kjo prerje e pjerrët përcakton drejtimin në të cilin do të bjerë pema dhe e udhëzon. Ajo bëhet nga ana nga ku do të bjerë pema.

2. Prerjen e pasme bëjini pak më lart se prerja bazë e prerjes së pjerrët. Prerja e pasme duhet të jetë krejtësisht horizontale. Lini afërsisht 1/10 e diametrit të trungut ndërmjet prerjes së pasme dhe prerjes së pjerrët. Fibrat e drurit në pjesën e paprerë të trungut shërbejnë si menteshë. Fusni pyka në prerjen e pasme.

► **Fig.35**

▲PARALAJMËRIM: Në asnjë rrethanë mos i prisni të gjitha fibrat. Pema mund të bjerë në mënyrë të pakontrolluar.

VINI RE: Për të mbajtur prerjen e pasme të hapur mund të përdoren vetëm pyka plastike ose alumini. Përdorimi i pykave prej hekuri është i ndaluar.

Transportimi i veglës

Përpara se të transportoni veglën, gjithmonë aplikoni frenin e zinxhirit dhe hiqeni kutinë e baterisë nga vegla. Më pas vendosni kapakun e shufrës udhëzuese. Gjithashtu mbulojeni kutinë e baterisë me kapakun e baterisë.

► **Fig.36:** 1. Kapaku i shufrës udhëzuese 2. Kapaku i baterisë

MIRËMBAJTJA

▲KUJDES: Sigurohuni gjithmonë që vegla të jetë fikur dhe të jetë hequr nga bateria përpara se të kryeni inspektimin apo mirëmbajtjen.

▲KUJDES: Vini gjithmonë doreza kur kryeni një inspektim ose mirëmbajtje.

VINI RE: Mos përdorni kurrë benzinë, benzinë pastrimi, hollues, alkol dhe të ngjashme. Mund të shkaktoni çngjyrosje, deformime ose krisje.

Për të ruajtur SIGURINË dhe QËNDRUESHMËRINË, riparimet dhe çdo mirëmbajtje apo rregullim tjetër duhen kryer nga qendrat e autorizuar të shërbimit ose të shërbimit të fabrikës të Makita-s, duke përdorur gjithnjë pjesë këmbimi të Makita-s.

Mprehja e sharrës me zinxhir

Mprihni sharrën me zinxhir kur:

- Prodhohet tallash i grimtuar kur pritet dru i lagësht;
- Zinxhiri e depërton drurin me vështirësi, edhe kur ushtrohet presion i lartë;
- Tehu prerës duket që është dëmtuar;
- Kur sharra tërheq majtas ose djathtas në dru. (shkaktohet nga mprehja jo e barabartë e zinxhirit të sharrës ose dëmtimi i tij vetëm në një anë)

Mpriheni vazhdimisht zinxhirin e sharrës, por çdo herë nga pak. Dy ose tre kalime me limë zakonisht mjaftojnë për mprehje rutinë. Kur zinxhiri i sharrës është mprehur disa herë, dërgojeni për ta mprehur te qendra jonë e autorizuar e shërbimit.

Kriteret e mprehjes:

▲ PARALAJMËRIM: Një distancë e madhe ndërmjet tehut prerës dhe matësit të thellësisë rrit rrezikun e kundërveprimit.

- **Fig.37:** 1. Gjatësia e prerësit 2. Distanca ndërmjet tehut prerës dhe matësit të thellësisë 3. Gjatësia minimale e prerësit (3 mm)

- Të gjitha gjatësitë e prerësit duhet të jenë të barabarta. Gjatësitë e ndryshme të prerësit nuk lejojnë që zinxhiri të punojë mirë dhe mund të shkaktojë prishjen e tij.
- Mos e mprihni zinxhirin kur gjatësia e prerësit ka arritur 3 mm ose më pak. Zinxhiri duhet të zëvendësohet me një të ri.
- Trashësia e ashklës përcaktohet nga distanca ndërmjet matësit të thellësisë (hundëzës së rumbullakët) dhe tehut prerës.
- Rezultatet më të mira të prerjes arrihen në distancat e mëposhtme ndërmjet tehut prerës dhe matësit të thellësisë.
 - Fleta e zinxhirit 91PX: 0,65 mm
 - Fleta e zinxhirit 80TXL: 0,65 mm

► Fig.38

- Këndi i mprehjes prej 30° duhet të jetë i njëjtë për të gjithë prerësit. Ndryshimet në këndin e prerësit bëjnë që zinxhiri të ketë probleme gjatë punës, përshpejtojnë konsumimin e tij dhe çojnë në prishje të zinxhirit.
- Përdorni një limë të përshtatshme të rumbullakët në mënyrë që të ruhet këndi i duhur i mprehjes ndaj dhëmbëve.
 - Tehu i zinxhirit 91PX: 55°
 - Fleta e zinxhirit 80TXL: 55°

Lima dhe udhëzuesi i limës

- Përdorni një limë të rumbullakët të posaçme (aksesor opsional) për zinxhirët e sharrave për të mprehur zinxhirin. Limat e rumbullakëta normale nuk janë të përshtatshme.
- Diametri i limës së rumbullakët për secilin zinxhir sharre është si më poshtë:
 - Fleta e zinxhirit 91PX: 4,0 mm
 - Fleta e zinxhirit 80TXL: 4,0 mm
- Lima duhet të punojë me prerësin vetëm me prekjën ballore. Hiqni limën nga prerësi gjatë prekjës në kthim.

- Në fillim mprihni prerësin më të shkurtër. Më pas gjatësia e këtij prerësi bëhet gjatësia standarde për të gjithë prerësit e tjerë të zinxhirit të sharrës.

- Udhëzoni limën siç tregohet në figurë.

► Fig.39: 1. Lima 2. Zinxhiri i sharrës

- Lima mund të drejtohet më lehtë nëse përdoret një mbajtës i limës (aksesor opsional). Mbajtësi i limës ka disa shënime për këndin e saktë të mprehjes prej 30° (bashkërenditni shënimet paralele me zinxhirin e sharrës) dhe kufizon thellësinë e depërtimit (deri në 4/5 e diametrit të limës).

► Fig.40: 1. Mbajtësi i limës

- Pasi të keni mprehur zinxhirin, kontrolloni lartësinë e matësit të thellësisë me anë të një vegle për matjen e zinxhirit (aksesor opsional).

► Fig.41

- Hiqni çdo material projektues, sado i vogël qoftë, me një limë të veçantë të sheshtë (aksesor opsional).
- Rumbullakosni sërish pjesën e përparme të matësit të thellësisë.

Pastrimi i shufrës udhëzuese

Ciflat dhe tallashi akumulohen në kanalën e shufrës udhëzuese. Ato mund të bllokojnë kanalën e shufrës dhe vështirësojnë qarkullimin e vajit. Pastroni ashklat dhe tallashin sa herë që e mprihni ose zëvendësoni zinxhirin e sharrës.

► Fig.42

Pastrimi i kapakut të rrotës së dhëmbëzuar

Ciflat dhe tallashi akumulohen brenda në kapakun e rrotës së dhëmbëzuar. Hiqni kapakun e rrotës së dhëmbëzuar dhe zinxhirin e sharrës nga vegla dhe më pas pastroni ciflat dhe tallashin.

► Fig.43

Pastrimi i vrimës së vajosjes

Pluhuri ose grimca të imëta mund të akumulohen te vrima e vajosjes gjatë përdorimit. Këto pluhura ose grimca të imëta mund të pengojnë qarkullimin e vajit dhe të shkaktojnë lubrifikim të pamjaftueshëm në të gjithë zinxhirin e sharrës. Kur në pjesën e sipërme të shufrës udhëzuese nuk ka vajosje të mjaftueshme, pastroni vrimën e vajosjes si më poshtë.

1. Hiqni kapakun e rrotës së dhëmbëzuar dhe zinxhirin e sharrës nga vegla.

2. Hiqni pluhurin ose grimcat e imëta duke përdorur një kaçavidë të përshtatshme ose të ngjashme.

► Fig.44: 1. Kaçavidë e sheshtë 2. Vrima e shkarkimit të vajit

3. Futeni kutinë e baterisë në vegël. Tërhiqni këmbëzën e çelësit për të pastruar pluhurin ose grimcat e akumuluar në vrimën e vajosjes duke kulluar vajin e zinxhirit.

4. Hiqni baterinë nga vegla. Rivendoseni kapakun e rrotës së dhëmbëzuar dhe zinxhirin e sharrës në vegël.

Zëvendësimi i rrotës së dhëmbëzuar

▲KUJDES: Rrota e dhëmbëzuar e konsumuar e dëmton zinxhirin e ri të sharrës. Në këtë rast zëvendësoni rrotën e dhëmbëzuar.

Përpara se të vendosni një zinxhir të ri sharre, kontrolloni gjendjen e rrotës së dhëmbëzuar.

► **Fig.45:** 1. Rrotëza e dhëmbëzuar 2. Zonat që do të konsumohen

Gjithmonë vendosni një unazë të re bllokimi kur zëvendësoni rrotën e dhëmbëzuar.

► **Fig.46:** 1. Unaza bllokuese 2. Rrotëza e dhëmbëzuar

VINI RE: Sigurohuni që rrotëza e dhëmbëzuar të instalohet siç tregohet në figurë.

Magazinimi i veglës

1. Pastrojeni veglën para magazinimit. Pastroni ashklat dhe tallashin nga vegla pasi të keni hequr kapakun e rrotës së dhëmbëzuar.
2. Pasi të keni pastruar veglën, ndizeni pa ngarkesë pune për të lubrifikuar zinxhirin e sharrës dhe shufrën udhëzuese.
3. Mbulojeni shufrën udhëzuese me kapakun e shufrës udhëzuese.
4. Zbrazeni depozitën e vajit.

Udhëzimet për mirëmbajtjen periodike

Për të siguruar jetëgjatësi, për të parandaluar dëmin dhe për të siguruar funksionimin e plotë të tipareve të sigurisë mirëmbajtja e mëposhtme duhet të kryhet rregullisht. Pretendimet për garanci pranohen vetëm nëse kjo punë kryhet rregullisht dhe siç duhet. Moskryerja e punës së përshtuar të mirëmbajtjes mund të çojë në aksidente! Përdoruesi i sharrës me zinxhir nuk duhet të kryejë punime mirëmbajtëse që nuk parashikohen në manualin e përdorimit. Të gjitha këto punime duhet të bëhen nga qendra jonë e autorizuar e shërbimit.

Shënoni artikullin / Koha e përdorimit	Përpara përdorimit	Çdo ditë	Çdo javë	Çdo 3 muaj	Çdo vit	Përpara magazinimit
Sharra me zinxhir	Inspektim.	✓	-	-	-	-
	Pastrim.	-	✓	-	-	-
	Kontrollojeni te qendra e autorizuar e shërbimit.	-	-	-	✓	✓
Zinxhiri i sharrës	Inspektim.	✓	-	-	-	-
	Mprehe sipas nevojës.	-	-	-	-	✓
Shufra udhëzuese	Inspektim.	✓	✓	-	-	-
	Hiqeni nga sharra me zinxhir.	-	-	-	-	✓
Freni i zinxhirit	Kontrolloni funksionin.	✓	-	-	-	-
	Inspektojeni rregullisht pranë qendrës së autorizuar të shërbimit.	-	-	-	✓	-
Lubrifikimi i zinxhirit	Kontrolloni nivelin e vajit.	✓	-	-	-	-
Këmbëza e çelësit	Inspektim.	✓	-	-	-	-
Leva e bllokimit	Inspektim.	✓	-	-	-	-
Kapaku i depozitës së vajit	Kontrolloni shtërngimin.	✓	-	-	-	-
Kapësi i zinxhirit	Inspektim.	-	-	✓	-	-
Vidat dhe dadot	Inspektim.	-	-	✓	-	-

NDREQJA E DEFEKTEVE

Përpara se të kërkonti riparime bëni inspektimet tuaja. Nëse zbuloni ndonjë problem që nuk shpjegohet në manual, mos u mundoni të çmontoni veglën. Por për riparime drejtojuni Qendrave të Autorizuara të Shërbimit Makita, duke përdorur gjithmonë pjesë zëvendësuese Makita.

Statuasi i keqfunksionimit	Shkaku	Veprimi
Sharra me zinxhir nuk ndizet.	Kutia e baterisë nuk është instaluar.	Instaloni një kuti baterie të karikuar.
	Problem me baterinë (tension i ulët).	Rikarikoni kutinë e baterisë. Nëse rikarikimi nuk është efikas, zëvendësoni kutinë e baterisë.
	Çelësi i rrymës kryesore është fikur.	Sharra me zinxhir fiket automatikisht nëse lihet pa përdorur për një periudhë të caktuar. Ndizni sërish çelësin e rrymës kryesore.
Zinxhiri i sharrës nuk lëviz.	Është aktivizuar freni i zinxhirit.	Lironi frenin e zinxhirit.
Motori ndalon punën pas një përdorimi të vogël.	Niveli i karikimit të baterisë është i ulët.	Rikarikoni kutinë e baterisë. Nëse rikarikimi nuk është efikas, zëvendësoni kutinë e baterisë.
Nuk ka vaj në zinxhir.	Depozita e vajit është bosh.	Mbushni depozitën e vajit.
	Kanali udhëzues i vajit është i ndotur.	Pastroni kanalën.
	Qarkullim i keq i vajit.	Rregulloni sasinë e qarkullimit të vajit me vidën rregulluese.
Sharra me zinxhir nuk arrin RPM maksimale.	Kutia e baterisë nuk është instaluar mirë.	Instaloni kutinë e baterisë siç përshkruhet në këtë manual.
	Fuqia e baterisë bie.	Rikarikoni kutinë e baterisë. Nëse rikarikimi nuk është efikas, zëvendësoni kutinë e baterisë.
	Sistemi i lëvizjes nuk funksionon mirë.	Kërkojini qendrës së autorizuar të shërbimit në rajonin tuaj ta riparojë.
Lamba e rrymës kryesore pulson në të gjelbër.	Këmbëza e çelësit është tërhequr në kushte ku nuk mund të përdoret.	Tërhiqni këmbëzën e çelësit pasi çelësi i rrymës kryesore të jetë aktivizuar dhe freni i zinxhirit të jetë i liruar.
Zinxhiri nuk ndalon edhe nëse freni i zinxhirit është aktivizuar: Ndalojeni menjëherë veglën!	Shiriti i frenit është konsumuar.	Kërkojini qendrës së autorizuar të shërbimit në rajonin tuaj ta riparojë.
Dridhje jonormale: Ndalojeni menjëherë veglën!	Lironi shufrën udhëzuese ose zinxhirin e sharrës.	Rregulloni shufrën udhëzuese dhe tendosjen e zinxhirit të sharrës.
	Keqfunksionim i veglës.	Kërkojini qendrës së autorizuar të shërbimit në rajonin tuaj ta riparojë.
Zinxhiri i sharrës nuk mund të instalohet.	Kombinimi i zinxhirit të sharrës dhe i rrotëzës së dhëmbëzuar nuk është i saktë.	Përdorni kombinimin e duhur të zinxhirit të sharrës dhe rrotëzës së dhëmbëzuar duke iu referuar seksionit për specifikimet.

AKSESORË OPSIONALË

▲KUJDES: Këta aksesori ose shtojca rekomandohen për përdorim me veglën Makita të përcaktuar në këtë manual. Përdorimi i aksesoreve apo shtojcave të tjera ndryshe nga këto mund të përbëjë rrezik lëndimi. Aksesorët ose shtojcat përdorini vetëm për qëllimin e tyre të përcaktuar.

Nëse keni nevojë për më shumë të dhëna në lidhje me aksesorët, pyesni qendrën vendore të shërbimit të Makita-s.

- Zinxhiri i sharrës
- Shufra udhëzuese
- Kapaku i shufrës udhëzuese
- Lima
- Çanta e veglave
- Bateri dhe karikues origjinal Makita

▲PARALAJMËRIM: Nëse blini një shufër udhëzuese me gjatësi të ndryshme nga shufra udhëzuese standarde, blini së bashku me të edhe një kapak të përshtatshëm shufre udhëzuese. Ai duhet t'i bëjë shufrës udhëzuese dhe ta mbulojë atë plotësisht në sharrën me zinxhir.

SHËNIM: Disa artikuj të listës mund të përfshihen në paketën e veglës si aksesori standardë. Ato mund të ndryshojnë nga njëri shtet në tjetrin.

СПЕЦИФИКАЦИИ

Модел:	UC014G	UC015G	UC016G	UC017G
Обща дължина (без водеща шина)	445 мм			
Номинално напрежение	Постоянно напрежение 36 V – 40 V макс.			
Нетно тегло	*1		4,5 кг	
	*2		6,2 – 6,9 кг	
Водеща шина със стандартна дължина	300 мм	350 мм	400 мм	450 мм
Препоръчителна дължина на водещата шина	300 – 450 мм			
Приложим тип режеща верига (направете справка с таблицата по-долу)	91PX 80TXL			
Зъбно колело (91PX)	Брой зъби		6	
	Стъпка		3/8"	3/8"
Зъбно колело (80TXL)	Брой зъби		7	
	Стъпка		0,325"	
Скорост на веригата	0 – 25,5 м/с (0 – 1 530 м/мин)			
Обем на масления резервоар на веригата	260 см ³			
Степен на защита	IPX4			

• Поради нашата непрекъсната научно-развойна дейност посочените тук спецификации могат да бъдат променени без предизвестие.

• Спецификациите може да са различни в различните държави.

*1: Тегло без веригата на триона, водещата шина, калъфа на водещата шина, маслото и акумулаторната(ите) батерия(и).

*2: Най-леката и най-тежката комбинации за тегло в съответствие с процедурата на ЕРТА 01/2014. Теглото може да се различава в зависимост от принадлежността(ите), включително акумулаторната(ите) батерия(и).

Комбинация от верига на триона, водеща шина и зъбно колело

Тип режеща верига		91PX			
Брой задвижващи звена		46	52	56	62
Водеща шина	Дължина на водещата шина	300 мм	350 мм	400 мм	450 мм
	Дължина на рязане	268 мм	324 мм	361 мм	418 мм
	Стъпка	3/8"			
	Калибровка	1,3 мм			
	Тип	Шина на челото на зъбното колело			
Зъбно колело	Брой зъби	6			
	Стъпка	3/8"			

Тип режеща верига		80TXL			
Брой задвижващи звена		51	59	64	70
Водеща шина	Дължина на водещата шина	300 мм	350 мм	400 мм	450 мм
	Дължина на рязане	259 мм	325 мм	366 мм	416 мм
	Стъпка	0,325"			
	Калибровка	1,1 мм			
	Тип	Шина на челото на зъбното колело			
Зъбно колело	Брой зъби	7			
	Стъпка	0,325"			

▲ПРЕДУПРЕЖДЕНИЕ: Използвайте подходяща комбинация от водеща шина и верига на триона. В противен случай може да се получи тежко нараняване.

Приложима акумулаторна батерия и зарядно устройство

Акумулаторна батерия	BL4040 / BL4050F* *: Препоръчителна батерия
Зарядно устройство	DC40RA / DC40RB / DC40RC

- Някои от акумулаторните батерии и зарядните устройства, посочени по-горе, може да не са налични в зависимост от региона на местоживеене.

▲ ПРЕДУПРЕЖДЕНИЕ: Използвайте само посочените по-горе акумулаторни батерии и зарядни устройства. Използването на други акумулаторни батерии и зарядни устройства може да причини нараняване и/или пожар.

Препоръчителен кабел за свързване към захранващ източник

Преносим захранващ модул	PDC01
--------------------------	-------

- Кабелът за свързване към захранващия(те) източник(ци), посочен(и) по-горе, може да не е наличен в зависимост от региона на местоживеене.
- Преди да използвате кабела за свързване към захранващ източник, прочетете инструкциите и предупредителните надписи, поставени на изделията.

Символи

По-долу са описани символите, които може да се използват за тази машина. Задължително е да се запознаете с техните значения, преди да пристъпите към работа.

	Прочетете ръководството за експлоатация.
	Носете предпазни очила.
	Използвайте предпазни средства за слуха.
	Носете каска, очила и предпазни средства за слуха.
	Максимална допустима дължина на рязане
	При работа с верижния трион винаги използвайте и двете си ръце.
	Пазете се от обратен удар от верижния трион и избягвайте контакт с върха на шината.
	Посока на движение на веригата
	Регулиране на подаването на маслото на веригата на триона



Само за страни от ЕС
Поради наличието на опасни компоненти в оборудването отпадъците от електрическо и електронно оборудване, акумулатори и батерии може да имат отрицателно въздействие върху околната среда и човешкото здраве. Не изхвърляйте електрически и електронни уреди или батерии с битовите отпадъци! Съгласно Европейската директива за отпадъците от електрическо и електронно оборудване и акумулатори и батерии и отпадъци от акумулатори и батерии и нейното адаптиране към националното законодателство, отпадъците от електрическо и електронно оборудване, батерии и акумулатори трябва да се събират отделно и да се доставят до отделен събирателен пункт за отпадъци, функциониращ съгласно наредбите за опазване на околната среда. Това е указано чрез символ на зачертана с кръст кофа на колелца, поставен върху оборудването.



Гарантирано ниво на звукова мощност съгласно директивата на ЕС за шумовите емисии на съоръжения, предназначени за употреба извън сградите.



Ниво на звукова мощност съгласно Регламента за управление на шума на Нов Южен Уелс, Австралия

Предназначение

Този верижен трион е предназначен за рязане на дървен материал.

Шум

Обичайното ниво на шума с тегловен коефициент А, определено съгласно EN62841-4-1:

Модел UC014G

Ниво на звуково налягане (L_{pA}): 91 dB(A)
Ниво на звукова мощност (L_{WA}): 102 dB (A)
Коефициент на неопределеност (K): 3 dB(A)

Модел UC015G

Ниво на звуково налягане (L_{pA}): 91 dB(A)
Ниво на звукова мощност (L_{WA}): 102 dB (A)
Коефициент на неопределеност (K): 3 dB(A)

Модел UC016G

Ниво на звуково налягане (L_{pA}): 91 dB(A)
Ниво на звукова мощност (L_{WA}): 102 dB (A)
Коефициент на неопределеност (K): 3 dB(A)

Модел UC017G

Ниво на звуково налягане (L_{pA}): 91 dB(A)
Ниво на звукова мощност (L_{WA}): 102 dB (A)
Коефициент на неопределеност (K): 3 dB(A)

ЗАБЕЛЕЖКА: Обявената(ите) стойност(и) на шумовите емисии $e(sa)$ измерена(и) в съответствие със стандартни методи за изпитване и може да се използва(т) за сравняване на инструменти.

ЗАБЕЛЕЖКА: Обявеното(ите) стойност(и) на шумови емисии може да се използва(т) също и за предварителна оценка на вредното въздействие.

▲ ПРЕДУПРЕЖДЕНИЕ: Използвайте предпазни средства за слуха.

▲ ПРЕДУПРЕЖДЕНИЕ: Нивото на шума при работа с електрическия инструмент може да се различава от обявената(ите) стойност(и) в зависимост от начина на използване на инструмента, по-специално какъв детайл се обработва.

▲ ПРЕДУПРЕЖДЕНИЕ: Задължително определете предпазни мерки за защита на оператора въз основа на оценка на риска в реални работни условия (като се вземат предвид всички етапи на работния цикъл, като например момента на изключване на инструмента, работата на празен ход, както и времето на задействане).

Вибрации

Общата стойност на вибрациите (сума от три осови вектора), определена съгласно EN62841-4-1:

Модел UC014G

Работен режим: рязане на дърво
Ниво на вибрациите ($a_{h,w}$): 5,0 m/s^2
Коефициент на неопределеност (K): 1,5 m/s^2

Модел UC015G

Работен режим: рязане на дърво
Ниво на вибрациите ($a_{h,w}$): 5,0 m/s^2
Коефициент на неопределеност (K): 1,5 m/s^2

Модел UC016G

Работен режим: рязане на дърво
Ниво на вибрациите ($a_{h,w}$): 5,0 m/s^2
Коефициент на неопределеност (K): 1,5 m/s^2

Модел UC017G

Работен режим: рязане на дърво
Ниво на вибрациите ($a_{h,w}$): 5,0 m/s^2
Коефициент на неопределеност (K): 1,5 m/s^2

ЗАБЕЛЕЖКА: Обявената(ите) обща(и) стойност(и) на вибрациите $e(sa)$ измерена(и) в съответствие със стандартни методи за изпитване и може да се използва(т) за сравняване на инструменти.

ЗАБЕЛЕЖКА: Обявената(ите) обща(и) стойност(и) на вибрациите може да се използва(т) също и за предварителна оценка на вредното въздействие.

▲ ПРЕДУПРЕЖДЕНИЕ: Нивото на вибрациите при работа с електрически инструмент може да се различава от обявената(ите) стойност(и) в зависимост от начина на използване на инструмента, по-специално какъв детайл се обработва.

▲ ПРЕДУПРЕЖДЕНИЕ: Задължително определете предпазни мерки за защита на оператора въз основа на оценка на риска в реални работни условия (като се вземат предвид всички етапи на работния цикъл, като например момента на изключване на инструмента, работата на празен ход, както и времето на задействане).

ЕО декларация за съответствие

Само за европейските страни

ЕО декларацията за съответствие е включена като Анекс А към тази инструкция за употреба.

ПРЕДУПРЕЖДЕНИЯ ЗА БЕЗОПАСНОСТ

Общи предупреждения за безопасност при работа с електрически инструменти

▲ ПРЕДУПРЕЖДЕНИЕ: Прочетете всички предупреждения, инструкции, илюстрации и спецификации за безопасността, предоставени с този електрически инструмент. При неспазване на изброените по-долу инструкции има опасност от токов удар, пожар и/или тежко нараняване.

Запазете всички предупреждения и инструкции за справка в бъдеще.

Терминът "електрически инструмент" в предупрежденията се отнася за вашия инструмент (с кабел за включване в мрежата) или работещ на батерии (безжичен) електрически инструмент.

Общи предупреждения за безопасност за вериги на трион

1. **Дръжте всички части на тялото си на разстояние от веригата на триона, когато верижният трион работи. Преди да стартирате верижния трион, се уверете, че веригата на триона не се допира до нищо. Секунда невнимание по време на работа с верижен трион може да доведе до заплитане на дрехи или части от тялото във веригата на триона.**

2. **Винаги държете верижния трион с дясната ръка за задната ръкохватка и с лявата за предната ръкохватка.** Ако държите верижния трион с разменена конфигурация на ръцете, нараства рискът от нараняване и това не трябва да се допуска.
3. **Държете верижния трион само за изолираните повърхности за хващане, защото веригата на триона може влезе в контакт със скрити проводници.** При докосване на веригата на триона до проводник под напрежение откритите метални части на верижния трион може да се окажат също под напрежение и операторът да получи токов удар.
4. **Използвайте предпазни средства за очите. Препоръчва се и използване на предпазни средства за слуха, главата, ръцете, краката и стъпалата.** Подходящите предпазни средства биха намалили сериозността на нараняванията от летящи отпадъци или случаен контакт на веригата на триона.
5. **Не работете с верижен трион, когато сте на дърво, на стълба, върху покрив или каквато и да е нестабилна опора.** Работата с верижен трион по този начин може да причини сериозно нараняване.
6. **Винаги стъпвайте здраво и работете с верижния трион само когато стоите на неподвижна, надеждна и равна повърхност.** Хлъзгавите или нестабилни повърхности могат да причинят загуба на равновесие или на контрол върху верижния трион.
7. **Когато режете клон, който е под напрежение, внимавайте за отскачането му.** Когато напрежението на влакната на дървесината се отпусне, клонът може да отскочи като пружина и да удари оператора и/или да изхвърли верижния трион извън контрол.
8. **Бъдете изключително внимателни, когато режете храсти и фиданки.** Веригата може да заклеши тънкия материал и да го изхвърли към вас, или да ви извади от равновесие.
9. **Носете верижния трион, като го държите за предната ръкохватка, изключен и на разстояние от тялото.** При транспортиране и съхранение на верижен трион задължително слагайте капака на водещата шина. Правилното боравене с верижния трион намалява вероятността за случаен контакт с движещата се верига на триона.
10. **Следвайте инструкциите за смазване, обтягане на веригата и смяна на шината и веригата.** Неправилно обтегната или смазана верига може да се скъса или да увеличи опасността от откат.
11. **Резете само дървен материал. Не използвайте верижния трион за дейност, за която не е предназначен.** Например: не използвайте верижния трион за рязане на метал, пластмасата, тухли или други строителни материали, различни от дърво. Използването на верижния трион за дейности, които не са по предназначение, може да доведе до опасна ситуация.
12. **Не се опитвайте да повалите дърво, докато не сте разбрали какви са рисковете и как да ги избегнете.** При поваляне на дърво може да се получи сериозно нараняване на оператора или на странични лица.
13. **Причини и начини за предотвратяване на откат от оператора:**
Откат може да се получи, когато челото или върхът на водещата шина докосне предмет или когато дървото се затвори и заклеши веригата на триона в среза.
В някои случаи контактът на върха може да предизвика внезапна обратна реакция, отблъсквайки водещата шина нагоре и назад към оператора.
Заключването на веригата на триона по горния ръб на водещата шина може да я избуца бързо назад към оператора.
И в двата случая може да загубите контрол над триона, което може да доведе до тежка телесна травма. Не разчитайте единствено на защитните устройства, вградени в триона. Като потребител на верижен трион вие трябва да приемете няколко стъпки, за да режете без злополуки и наранявания.
Откатът е резултат от неправилна употреба на верижния трион и/или неспазване на реда и условията за работа, като може да бъде избегнат при спазване на посочените по-долу предпазни мерки:
 - **Държете здраво, като обвийте с пръсти ръкохватките на верижния трион, с двете ръце и в положение на тялото и ръцете, което позволява да устоите на силите при откат.** Силите при откат могат да бъдат контролирани от оператора, ако са взети необходимите предпазни мерки. Не изпускайте верижния трион.

► Фиг.1

- **Не се протягайте и не режете над височината на рамото.** Така ще предотвратите неволен контакт на върха и ще контролирате по-добре триона в неочаквани ситуации.
 - **Използвайте само резервни водещи шини и вериги на триони, посочени от производителя.** Неправилната замяна на водещите шини и веригите на трионите може да доведе до скъсване на веригата и/или откат.
 - **Следвайте инструкциите на производителя за заточване и поддръжка на веригата на триона.** Намаляването на височината на калибровката за дълбочина може да доведе до увеличен риск от откат.
14. **Следвайте всички инструкции при посичане на заседналият материал, съхраняване или обслужване на верижния трион.** Уверете се, че превключвателят е в изключено положение и акумулаторната батерия е извадена. Неочакваното задействане на верижния трион по време на посичане на заседналият материал или обслужване може да доведе до сериозно нараняване.

Допълнителни инструкции за безопасност

Лични предпазни средства

1. Облеклото трябва да е плътно до тялото, но без да ограничава движенията.
2. По време на работа носете следното предпазно облекло:
 - Одобрена каска, ако има опасност от падащи клони и др. подобни;
 - Маска за лицето или очила;
 - Подходящи предпазни средства за слуха (антисони или тапи за уши). При поискване, можем да предоставим анализ на шума.
 - Предпазни ръкавици от твърда кожа;
 - Дълги панталони от здрав плат;
 - Работен комбинезон от устойчив на срязване плат;
 - Защитни обувки или боти с нехлъзгави подметки, стоманена платка на пръстите и хастар от устойчив на срязване материал;
 - Дихателна маска, когато при рязането се вдига прах (напр. рязане на сухи дърва).

Работа

1. **Преди да пристъпите към работа, проверете дали трионът е в изрядно работно състояние и дали отговаря на нормите за безопасност. По-специално проверете дали:**
 - Спирачката на веригата работи изрядно;
 - Аварийната спирачка работи изрядно;
 - Шината и капакът на зъбното колело са монтирани правилно;
 - Веригата е заточена и обтегната в съответствие с нормите.
2. **Не стартирайте верижния трион с монтиран капак на веригата.** При стартиране на верижния трион с монтиран капак на веригата е възможно капакът на веригата да бъде изхвърлен напред, което да доведе до нараняване и повреди на предмети около оператора.
3. **Когато използвате инструмента на глинеста почва, мокър склон или хлъзгава повърхност, внимавайте къде стъпвате.**
4. **Не поталяйте инструмента в локви.**
5. **Не оставяйте инструмента без наблюдение на открито под дъжда.**

Безопасност при работа с електрически ток и акумулаторната батерия

1. **Избягвайте опасни среди.** Инструментът да не се използва във влажни или мокри участъци и да не се излага на дъжд. Попадналата в инструмента вода увеличава риска от токов удар.
2. **Не изхвърляйте акумулаторната(ите) батерия(и) в огън.** Клетките на батерията могат да експлодират. Проверете местните разпоредби за евентуални специални инструкции за унищожаване.

3. **Не отваряйте или повреждайте акумулаторната батерия(и).** Изтичащият електролит има разяждащо действие и може да увреди очите или кожата. Може да бъде токсичен при поглъщане.
4. **Не зареждайте батерията под дъжд или на влажни места.**
5. **Не зареждайте акумулаторната батерия на открито.**
6. **Не хващайте зарядното устройство, включително щепсела и изводите му, с мокри ръце.**
7. **Не сменяйте батерията, когато вали.**
8. **Не сменяйте батерията с мокри ръце.**
9. **Не оставяйте батерията под дъжда и не зареждайте, не използвайте и не съхранявайте батерията на влажно или мокро място.**
10. **Не мокрете клемите на батерията с течности, например с вода, и не потапяйте батерията.** Ако клемата се намокри или в батерията попадне течност, може да се получи късо съединение и съществува риск от прегряване, пожар или експлозия.
11. **След като извадите батерията от машината или зарядното устройство, уверете се, че сте сложили капака на батерията и я съхранявайте на сухо място.**
12. **Ако акумулаторната батерия се намокри, източете водата от нея и след това я избършете със суха кърпа.** Оставете акумулаторната батерия да изсъхне напълно на сухо място, преди да я използвате.

Техническа поддръжка и съхранение

1. **Когато съхранявате инструмента, избягвайте пряката слънчева светлина и дъжд и го съхранявайте на място, което не е горещо или влажно.**

ЗАПАЗЕТЕ НАСТОЯЩИТЕ ИНСТРУКЦИИ.

▲ПРЕДУПРЕЖДЕНИЕ: НЕ позволявайте комфорта от познването на продукта (придобит при дългата му употреба) да замени стриктното спазване на правилата за безопасност за въпросния продукт. **НЕПРАВИЛНАТА УПОТРЕБА** и неспазването на правилата за безопасност, посочени в настоящото ръководство за експлоатация, може да доведе до тежки наранявания.

Важни инструкции за безопасност за акумулаторната батерия

1. **Преди да използвате акумулаторната батерия, прочетете всички инструкции и предупредителни маркировки на (1) зарядното устройство за батериите, (2) за батериите и (3) за използващия батериите продукт.**
2. **Не разглобявайте и не променяйте акумулаторната батерия.** Това може да предизвика пожар, прегряване или взрив.

3. Ако мощността на машината намалее много, веднага спрете да работите. Това може да доведе до риск от прегряване, до възможни изгаряния и даже до експлозии.
4. Ако в очите ви попадне електролит, изплакнете ги с чиста вода и веднага потърсете лекарска помощ. Това може да доведе до загуба на зрението ви.
5. Не давайте на късо акумулаторните батерии:
 - (1) Не докосвайте клемите с проводими материали.
 - (2) Избягвайте съхраняването на акумулаторните батерии в контейнер с други метални предмети като пирони, монети и други подобни.
 - (3) Не излагайте акумулаторните батерии на вода или дъжд.
 Закъсяването на акумулаторна батерия може да доведе до протичане на много силен ток, до прегряване, до възможни изгаряния и даже до разпадане на батерията.
6. Не съхранявайте и не използвайте инструмента и акумулаторните батерии на места, където температурата може да достигне или надмине 50 °C (122 °F).
7. Не изгаряйте акумулаторните батерии даже и ако те са сериозно повредени или напълно износени. Акумулаторната батерия може да експлодира в огън.
8. Не забивайте пирони, не режете, не смачквайте, не хвърляйте, не изпускате и не удряйте в твърд предмет акумулаторната батерия. Това поведение може да предизвика пожар, прегряване или взрив.
9. Не използвайте повредени акумулаторни батерии.
10. Съдържащите се литиево-йонни акумулаторни батерии са обект на изискванията на законодателството за опасни стоки.

При търговски превози, напр. от трети страни, спедитори, трябва да се спазват специални изисквания за опаковане и етикетирание. За подготовка на артикула, който трябва да бъде изпратен, е необходима консултация с експерт по опасните материали. Моля, спазвайте и евентуално по-подробните национални разпоредби.

Залепете с лента или покрийте откритите контакти и опаковайте акумулаторната батерия по такъв начин, че да не може да се премества в опаковката.
11. При изхвърляне на акумулаторната батерия я извадете от инструмента и я изхвърлете на подходящо място. Спазвайте местните разпоредби за изхвърляне на акумулаторни батерии.
12. Използвайте батериите само с продуктите, определени от Makita. Поставянето на батериите към неодобрен продукт може да предизвика пожар, прегряване, взрив или изтичане на електролит.
13. Ако инструментът няма да се използва продължително време, батерията трябва да се извади от него.
14. По време на и след употреба акумулаторната батерия може да поеме топлина, която може да причини изгаряния или нискотемпературни изгаряния. Внимавайте, когато боравите с горещите акумулаторни батерии.
15. Не докосвайте клемата на инструмента веднага след употреба, тъй като е възможно да е достатъчно нагрята, за да предизвика изгаряния.
16. Не позволявайте стружки, прах или почва да полепват по клемите, отворите и каналите на акумулаторната батерия. Това може да причини загряване, възникване на пожар, избухване и повреда на инструмента или акумулаторната батерия, което да доведе до изгаряния или телесни наранявания.
17. Освен ако инструментът поддържа използването в близост до високоволтови електропроводи, не използвайте акумулаторната батерия близо до високоволтови електропроводи. Това може да доведе до неизправност или повреда на инструмента или акумулаторната батерия.
18. Пазете батерията от деца.

ЗАПАЗЕТЕ НАСТОЯЩИТЕ ИНСТРУКЦИИ.

▲ВНИМАНИЕ: Използвайте само оригинални акумулаторни батерии на Makita. При използване на различни от акумулаторните батерии на Makita или стари акумулаторни батерии може да се получи пръскане на акумулаторната батерия, което да доведе до пожар, нараняване или повреда. Това също ще анулира гаранцията на Makita за инструмента и зарядното устройство Makita.

Съвети за поддържане на максимално дълъг живот на акумулаторните батерии

1. Зареждайте акумулаторните батерии, преди те да са се разреждали напълно. Когато забележите, че мощността на инструмента намалява, винаги спирайте работата с инструмента и заредете акумулаторната батерия.
2. Никога не презареждайте напълно заредена акумулаторна батерия. Презарядът скъсява експлоатационния живот на батерията.
3. Зареждайте акумулаторната батерия при стайна температура от 10 °C – 40 °C (50 °F – 104 °F). Оставете заргетите акумулаторни батерии да се охладят, преди да ги зареждате.
4. Когато не използвате акумулаторната батерия, извадете я от инструмента или зарядното устройство.
5. Заредете акумулаторната батерия, ако не сте го използвали дълъг период от време (повече от шест месеца).

ОПИСАНИЕ НА ЧАСТИТЕ

► Фиг.2

1	Акумулаторна батерия	2	Преден предпазител за ръцете	3	Лост
4	Водеща шина	5	Верига на трион	6	Регулатор
7	Главен светлинен индикатор за захранването	8	Главен преключвател за захранването	9	Блокиращ лост
10	Задна ръкохватка	11	Пусков прекъсвач	12	Предна ръкохватка
13	Капачка на масления резервоар	14	Капак на водещата шина	15	Регулиращ винт (за маслената помпа)
16	Предпазител на веригата	-	-	-	-

ОПИСАНИЕ НА ФУНКЦИИТЕ

▲ВНИМАНИЕ: Винаги проверявайте дали инструментът е изключен и касетата с акумулаторната батерия е извадена, преди да регулирате или проверявате дадена функция на инструмента.

Поставяне и изваждане на акумулаторната батерия

▲ВНИМАНИЕ: Винаги изключвайте инструмента преди поставяне или изваждане на акумулаторната батерия.

▲ВНИМАНИЕ: Когато инсталирате или изваждате акумулаторната батерия, дръжте здраво инструмента и акумулаторната батерия. Ако не държите здраво инструмента и акумулаторната батерия, те могат да се изплъзнат от ръцете ви и да доведат до повреждане на инструмента и акумулаторната батерия или нараняване.

► Фиг.3: 1. Червен индикатор 2. Бутон 3. Акумулаторна батерия

За да извадите акумулаторната батерия, я плъзнете извън инструмента, плъзгайки същевременно бутона в предната част на акумулаторната батерия.

За да поставите акумулаторната батерия, изравнете езичето на акумулаторната батерия с жлеба в корпуса и го плъзнете на мястото му. Придвижвайте я по протежението на жлеба, докато не се намести с леко щракване. В случай че виждате червения индикатор, както е показано на фигурата, тя не е фиксирана напълно на мястото си.

▲ВНИМАНИЕ: Винаги вмъквайте акумулаторната батерия докрай, така че червеният индикатор да се скрие. В противен случай тя може неволно да изпадне от инструмента, което може да нарани вас или някого около вас.

▲ВНИМАНИЕ: Не инсталирайте акумулаторната батерия със сила. Ако батерията не се движи свободно, тя не е била поставена правилно.

Индикация на оставащия капацитет на акумулаторната батерия

Натиснете бутона за проверка на акумулаторната батерия за показване на оставащия заряд на батерията. Светлинните индикатори ще светнат за няколко секунди.

► Фиг.4: 1. Светлинни индикатори 2. Бутон за проверка

Светлинни индикатори			Оставащ заряд на батерията
Свети	Изкл.	Мига	
■	■	■	75% до 100%
■	■	□	50% до 75%
■	□	□	25% до 50%
■	□	□	0% до 25%
▬	□	□	Заредете батерията.
■	□	□	Батерията може да не работи правилно.
□	□	■	

ЗАБЕЛЕЖКА: В зависимост от условията на употреба и околната температура е възможно показанията леко да се различават от действителния капацитет.

ЗАБЕЛЕЖКА: Първият (краен ляв) светлинен индикатор ще мига, когато системата за защита на батерията функционира.

Система за защита на инструмента / акумулаторната батерия

Инструментът е оборудван със система за защита на инструмента/акумулаторната батерия. Тази система автоматично прекъсва захранването към електромотора, за да осигури по-дълъг живот на инструмента и акумулаторната батерия. Инструментът ще спре автоматично по време на работа, ако инструментът или батерията се намират в едно от следните условия:

Защита срещу претоварване

Когато с батерията се работи по начин, който я принуждава да консумира необичайно много ток, инструментът автоматично спира и главният светлинен индикатор за захранване започва да мига в зелено. В този случай изключете инструмента и преустановете приложението, което го претоварва. След това включете инструмента за повторно стартиране.

Защита срещу прегряване

Ако инструментът или акумулаторната батерия прегреят, той автоматично спира да работи и главният светлинен индикатор за захранването започва да мига в червено. В този случай оставете инструмента и акумулаторната батерия да изстинат, преди да включите инструмента отново.

ЗАБЕЛЕЖКА: В среда с висока температура защитата от прегряване вероятно ще се задейства и инструментът ще спре автоматично.

Защита срещу прекомерно разреждане

Когато капацитетът на акумулаторната батерия не е достатъчен, инструментът автоматично спира да работи и главният светлинен индикатор за захранването започва да мига в червено. В този случай извадете батерията от инструмента и я заредете.

Защита срещу други причини

Предпазната система е предназначена и за други причини, които може да повредят инструмента, и позволява автоматичното спиране на инструмента. Изпълнете всички следващи стъпки, за да отстраните причините, когато инструментът е прекъснал временно или спре по време на работа.

1. Изключете инструмента и след това отново го включете.
2. Заредете батерията(ите) или я/ги заменете със заредена(и) батерия(и).
3. Оставете машината и батерията(ите) да изстинат.

Ако не бъде постигнато подобрене чрез връщане на предпазната система в изходно положение, се свържете с местния сервизен център на Makita.

БЕЛЕЖКА: Ако инструментът спре поради причина, която не е описана по-горе, вижте раздела за отстраняване на неизправности.

Главен превключвател за захранването

▲ПРЕДУПРЕЖДЕНИЕ: Винаги изключвайте главния превключвател на захранването, когато не го използвате.

За да включите инструмента, натиснете главния превключвател на захранването. Главният светлинен индикатор за захранването светва в зелено. За да го изключите, натиснете отново главния превключвател на захранването.

► **Фиг.5:** 1. Главен светлинен индикатор за захранването 2. Главен превключвател за захранването

ЗАБЕЛЕЖКА: Главният светлинен индикатор на захранването мига в зелено, ако пусковият прекъсвач е натиснат при неработни състояния. Индикаторът мига в едно от следните състояния.

- Когато включите главния превключвател на захранването, докато натискате лоста за блокиране и пусковия прекъсвач.
- Когато натиснете пусковия прекъсвач, докато спирачката на веригата е задействана.
- Когато освободите спирачката на веригата, докато натискате лоста за блокиране и пусковия прекъсвач.

ЗАБЕЛЕЖКА: Този инструмент използва функцията за автоматично изключване на захранването. За да се избегне неволно стартиране, главният превключвател на захранването ще се изключи автоматично, когато пусковият прекъсвач не бъде натиснат за определен период от време след включване на главния превключвател на захранването.

Включване

▲ПРЕДУПРЕЖДЕНИЕ: За ваша безопасност този инструмент е оборудван с блокиращ лост, който предотвратява неволното му стартиране. НИКОГА не използвайте инструмента, ако той се включва, когато просто натиснете пусковия прекъсвач, без да сте натиснали блокиращия лост. Върнете инструмента в упълномощен сервизен център за ремонт ПРЕДИ по-нататъшна употреба.

▲ПРЕДУПРЕЖДЕНИЕ: НИКОГА не залепвайте с лента и не елиминирайте предназначението и функцията на блокиращия лост.

▲ВНИМАНИЕ: Преди да поставите батерията в инструмента, винаги проверявайте дали пусковият прекъсвач работи нормално и се връща в положение "OFF" (ИЗКЛ.) при отпускането му.

БЕЛЕЖКА: Не дърпайте пусковия прекъсвач силно, без да сте натиснали лоста за блокиране. Това може да доведе до счупване на прекъсвача.

За предотвратяване на неволно натискане на пусковия прекъсвач е осигурен блокиращ лост. За да включите инструмента, натиснете блокиращия лост и издърпайте пусковия прекъсвач. Оборотите на инструмента се увеличават с увеличаване на натиска върху пусковия прекъсвач. За спиране отпуснете пусковия прекъсвач.

► **Фиг.6:** 1. Пусков прекъсвач 2. Блокиращ лост

Проверка на спирачката на веригата

▲ВНИМАНИЕ: Дръжте верижния трион с двете си ръце, когато го включвате. Дръжте задната ръкохватка с дясната си ръка, а предната ръкохватка – с лявата. Шината и веригата не трябва да са в контакт с какъвто и да било предмет.

▲ВНИМАНИЕ: Ако по време на изпитването веригата на триона не спира незабавно, трионът не трябва да се използва при никакви обстоятелства. Консултирайте се с нашия упълномощен сервизен център.

1. Натиснете лоста за блокиране и след това пусковия прекъсвач. Веригата на триона стартира веднага.
 2. Натиснете напред предния предпазител за ръката със задната част на ръката си. Уверете се, че верижният трион незабавно спира да се движи.
- **Фиг.7:** 1. Преден предпазител за ръцете
2. Отключено положение 3. Блокирано положение

Проверка на аварийната спиралка

▲ВНИМАНИЕ: Ако при това изпитване веригата на спиралката не спре в рамките на една секунда, спрете да използвате верижния трион и се консултирайте с нашия упълномощен сервизен център.

Стартирайте верижния трион, след което освободете напълно пусковия прекъсвач. Веригата на триона трябва да спре напълно в рамките на една секунда.

Регулиране на смазването на веригата

Можете да регулирате дебита на маслената помпа с помощта на регулиращия винт. Количеството на маслото може да се регулира с помощта на универсалния ключ.

► **Фиг.8:** 1. Регулиращ винт

СГЛОБЯВАНЕ

▲ВНИМАНИЕ: Преди да извършите някакви дейности по инструмента, задължително проверете дали той е изключен и акумулаторната батерия е извадена.

▲ВНИМАНИЕ: Не докосвайте веригата на триона с голи ръце. Винаги носете ръкавици, когато боравите с веригата на триона.

Монтаж или демонтаж на веригата на триона

▲ВНИМАНИЕ: След приключване на работа веригата на триона и водещата шина са горещи. Оставете ги да се охладят добре, преди да извършвате дейности по инструмента.

▲ВНИМАНИЕ: Извършвайте процедурата за монтиране и демонтаж на веригата на триона на чисто място без стърготини и други замърсявания.

Монтаж на веригата на триона

За монтиране на веригата на триона изпълнете следните стъпки:

1. Освободете спиралката на веригата, като издърпате предния предпазител за ръката.
2. Издърпайте нагоре лоста, докато натискате ръба му.
► **Фиг.9:** 1. Лост
3. Завъртете лоста обратно на часовниковата стрелка, докато капакът на зъбното колело се свали.
► **Фиг.10:** 1. Лост 2. Капак на зъбното колело
4. Отстранете капака на зъбното колело.
5. Проверете посоката на веригата на триона. Тя трябва да съответства на тази на маркера върху корпуса на веригата на триона.
► **Фиг.11:** 1. Маркер върху корпуса на веригата на триона
6. Поставете единия край на веригата на триона върху горната страна на водещата шина.
7. Поставете другия край на веригата на триона около зъбното колело, след това закрепете водещата шина към корпуса на веригата на триона.
► **Фиг.12:** 1. Зъбно колело
8. Завъртете регулатора по посока на "-", за да преместите регулиращият щифт в посоката, показана със стрелката.
► **Фиг.13:** 1. Регулатор 2. Регулиращ щифт
9. Поставете капака на зъбното колело върху верижния трион така, че регулиращият щифт да се разположи в малък отвор върху водещата шина.
► **Фиг.14:** 1. Капак на зъбното колело 2. Водеща шина 3. Отвор
10. Завъртете лоста докрай по часовниковата стрелка и върнете малко, за да се запази известна хлабина за регулиране на обтягането на веригата.
11. Регулирайте обтягането на веригата. Относно процедурата вижте раздела за регулиране на обтягането на веригата на триона.
12. Завъртете лоста по часовниковата стрелка, докато капакът на зъбното колело се фиксира, след което го върнете в първоначална позиция.
► **Фиг.15:** 1. Лост 2. Капак на зъбното колело

Демонтаж на веригата на триона

За демонтиране на веригата на триона изпълнете следните стъпки:

1. Освободете спирачката на веригата, като издърпате предния предпазител за ръката.
2. Завъртете регулатора в посока "-", за да освободите обтягането на веригата на триона.
► **Фиг.16:** 1. Регулатор
3. Издърпайте нагоре лоста, докато натискате ръба му.
► **Фиг.17:** 1. Лост
4. Завъртете лоста обратно на часовниковата стрелка, докато капакът на зъбното колело се свали.
► **Фиг.18:** 1. Лост 2. Капак на зъбното колело
5. Отстранете капака на зъбното колело, след което отстранете веригата на триона и водещата шина от корпуса на верижния трион.

Регулиране на обтягането на веригата на триона

ВНИМАНИЕ: Извършвайте процедурата за монтиране и демонтаж на веригата на триона на чисто място без стърготини и други замърсявания.

ВНИМАНИЕ: Не натягайте веригата на триона прекомерно. Прекомерното обтягане на веригата на триона може да причини скъсване на веригата на триона, износване на водещата шина и счупване на регулатора.

ВНИМАНИЕ: Твърде хлабавата верига може да изпадне от шината и да създаде опасност от злополука.

След многочасова работа е възможно веригата да провисне. Преди да започнете работа, периодично проверявайте обтягането на веригата.

1. Издърпайте нагоре лоста, докато натискате ръба му.
► **Фиг.19:** 1. Лост
2. Завъртете малко лоста обратно на часовниковата стрелка, за да разхлабите леко капака на зъбното колело.
► **Фиг.20:** 1. Лост 2. Капак на зъбното колело
3. Повдигнете леко върха на водещата шина и регулирайте обтягането на веригата. Завъртете регулатора в посока "-", за да разхлабите, завъртете в посока "+", за да затегнете. Затегнете веригата на триона, докато долната част на веригата на триона пасне в релсата на водещата шина, както е показано.
► **Фиг.21:** 1. Регулатор 2. Водеща шина 3. Верига на трион
4. Задръжте леко водещата шина и затегнете капака на зъбното колело. Уверете се, че веригата на триона не е хлабава откъм долната страна.
5. Върнете лоста в първоначалното му положение.
Уверете се, че веригата на триона пасва плътно към долната част на шината.

Експлоатация

Смазване

ВНИМАНИЕ: Не работете с верижния трион, когато резервоарът е празен. Доливайте масло, когато е необходимо, преди резервоарът да се изпразни.

ВНИМАНИЕ: Не позволявайте на маслото да влезе в контакт с кожата и очите. Контактът с очите причинява раздразнение. В случай на контакт с очите, незабавно промийте засегнатото око с чиста вода, а след това веднага се консултирайте с лекар.

ВНИМАНИЕ: Никога не използвайте отработено масло. Отработеното масло съдържа канцерогенни вещества. Отпадъците в отработеното масло причиняват ускорено износване на маслената помпа, шината и веригата. Отработеното масло е вредно за околната среда.

БЕЛЕЖКА: Когато използвате верижния трион за първи път, може да е необходимо време до две минути, за да започне маслото да упражнява смазващ ефект върху механизма на триона. През това време оставете триона да работи без натоварване.

БЕЛЕЖКА: Когато пълните с масло за веригата за първи път или допълвате резервоара, след като е бил изпразнен докрай, налейте масло до нивото на долния ръб на отвора за пълнене. В противен случай може да се наруши подаването на масло.

БЕЛЕЖКА: Използвайте веригата на триона изключително за верижни триони Makita или еквивалентно масло, което се предлага на пазара.

БЕЛЕЖКА: Никога не използвайте масло, съдържащо прах или частици, или летливо масло.

БЕЛЕЖКА: При подрязване на дървета използвайте масло с растителен произход. Минералното масло може да навреди на дърветата.

БЕЛЕЖКА: Преди работата по рязане проверете дали предоставената капачка на масления резервоар е завинтена на мястото си.

Веригата на триона се смазва автоматично, докато инструментът работи. Проверявайте периодично количеството останало масло в масления резервоар през инспекционното прозорче за маслото.

- **Фиг.22:** 1. Капачка на масления резервоар
2. Инспекционно прозорче за маслото

За да долеете масло, изпълнете следните стъпки:

1. Почистете щателно зоната около капачката на масления резервоар, за да предотвратите навлизането на замърсявания в него.
2. Поставете веригата на триона на една страна.
3. Натиснете бутона на капачката на масления резервоар, така че бутонът от другата страна да се повдигне, и след това отстранете капачката на масления резервоар, като я завъртите.
► **Фиг.23:** 1. Капачка на масления резервоар
2. Затягане 3. Разхлабване

4. Долейте масло в масления резервоар. Правилното количество масло е 260 мл.
5. Завийте здраво капачката на масления резервоар обратно на мястото ѝ.
6. Избършете внимателно евентуално разлятото масло за веригата.

ЗАБЕЛЕЖКА: Ако имате затруднения с отстраняването на капачката на масления резервоар, поставете затворения гаечен ключ в отвора на капачката на масления резервоар и след това отстранете капачката на масления резервоар, като я завъртите обратно на часовниковата стрелка.

► **Фиг.24:** 1. Отвор 2. Затворен гаечен ключ

След допълване дръжте верижния трион на разстояние от дървото. Стартирайте го и изчакайте, докато смазването на веригата на триона достигне приемливо ниво.

► **Фиг.25**

Работа с веригата на триона

▲ВНИМАНИЕ: Като минимално упражнение начинаещите потребители трябва да опитат да режат трупи върху магаре или стойка.

▲ВНИМАНИЕ: При рязане на предварително обработен дървен материал използвайте безопасна опора (магаре или стойка). Не придържайте материала с крак и не разрешавайте на друг човек да го държи или придържа.

▲ВНИМАНИЕ: Закрепвайте кръглите парчета по такъв начин, че да не се превъртат.

▲ВНИМАНИЕ: Когато моторът работи, дръжте всички части на тялото си на разстояние от веригата на триона.

▲ВНИМАНИЕ: Дръжте стабилно верижния трион с двете си ръце, когато моторът работи.

▲ВНИМАНИЕ: Не се протягайте. Стойте стабилно на краката си по всяко време.

БЕЛЕЖКА: Никога не хвърляйте или изпускате инструмента.

БЕЛЕЖКА: Не покривайте вентилационните отвори на инструмента.

Доближете долния ръб на корпуса на верижния трион до клона, който ще режете, преди да го включите. В противен случай е възможно да възникнат вибрации на водещата шина и това да доведе до нараняване на оператора. Направете срез на дървото, което ще режете, като го придвижите надолу, използвайки тежестта на верижния трион.

► **Фиг.26**

Ако не е възможно да отрежете дървен материал с един заход: Приложете лек натиск към ръкохватката и продължете да режете, издърпвайки малко верижния трион назад; след това преместете приспособлението с шипове малко по-надолу и завършете рязането чрез повдигане на ръкохватката.

► **Фиг.27**

Ударни срезове

1. Поставете долния край на корпуса на верижния трион върху дървото, което искате да срежете.

► **Фиг.28**

2. При работеща верига на триона направете срез в дървото, като използвате задната ръкохватка за повдигане на триона и предната ръкохватка, за да го направлявате. Използвайте приспособлението с шипове като опорна точка.

3. Продължете със среза, като леко натиснете предната ръкохватка и леко отпуснете назад триона. Придвижете приспособлението с шипове по-надолу в дървения материал и отново повдигнете предната ръкохватка.

БЕЛЕЖКА: Когато правите няколко среза, изключвайте верижния трион между срезовете.

▲ВНИМАНИЕ: Ако за рязане използвате горния ръб на шината, верижният трион може да отскочи към вас, ако веригата се заклини. Поради тази причина трябва да режете с долния ръб, така че при заклиняване трионът да се отклони на разстояние от вашето тяло.

► **Фиг.29**

При рязане на дърво под напрежение първо направете срез откъм страната на натиска (А). След това направете окончателния срез откъм страната под напрежение (В). Това ще предотврати заклиняване на водещата шина.

► **Фиг.30**

Подкастриане на клони

▲ВНИМАНИЕ: Подкастриането на клони трябва да се извършва само от обучени лица. Съществува опасност от възникване на откат.

Когато подкастрирате клони, използвайте ствола на дървото като опора за верижния трион, ако това е възможно. Не режете с върха на водещата шина, тъй като това създава опасност от откат. Обръщайте особено внимание на клони под напрежение. Не режете клони без опора отдолу. Когато подкастрирате клони, не заставяйте върху поваления ствол.

Изрязване на канали и надлъжни срезове по влакната

▲ВНИМАНИЕ: Изрязване на канали и надлъжни срезове по влакната трябва да се извършват само от лица, преминали специализирано обучение. Възможността за откат представлява опасност от нараняване.

Извършвайте надлъжни срезове по влакната под възможно най-плитък ъгъл. Бъдете особено внимателни, когато режете, тъй като приспособлението с шипове не може да се използва.

► **Фиг.31**

Поваляне на дървета

⚠ ВНИМАНИЕ: Дейността по повалянето на дървета трябва да се извършва само от обучени лица. Този тип работа е опасна.

При поваляне на дървета е необходимо да спазвате местните регламенти.

► **Фиг.32:** 1. Зона на поваляне

- Преди да повалите дърво, се уверете, че:
 - В зоната присъстват само лица, заети с дейността по повалянето;
 - Всеки човек в зоната на повалянето трябва да има път на безпрепятствено оттегляне в рамките на 45° от всяка страна на оста на поваляне на дървото. Трябва да се отчете и допълнителния риск от препъване в електрически кабели;
 - В основата на ствола няма чужди предмети, корени и клони;
 - В посоката на поваляне на ствола в рамките на 2 1/2 височини на дървото няма хора или предмети.
 - За всяко дърво вземете предвид следното:
 - Посока на наклона;
 - Счупени или сухи клони;
 - Височина на дървото;
 - Естествено надвисване;
 - Дали дървото не е изгнило.
 - Отчетете скоростта и посоката на вятъра. Не поваляйте дървета при силни пориви на вятъра.
 - Изрязване на коренови израстъци: Започнете с най-големите израстъци. Първо направете вертикалния, след което хоризонталния срез.
 - Застанете отстрани на падащото дърво. Осигурете свободна зона зад падащото дърво в рамките на 45° от всяка страна на оста на дървото (вижте фигурата "Зона за поваляне"). Внимавайте за падащи клони.
 - Преди започване на рязане е необходимо да се планира и освободи път за оттегляне. Пътят за оттегляне трябва да се простира назад и по диагонал до задната част на очакваната линия на падане на дървото, както е показано на фигурата.
- **Фиг.33:** 1. Посока на поваляне 2. Опасна зона 3. Път за оттегляне

При поваляне на дървета спазвайте следните процедури:

1. Направете клиновиден срез, колкото е възможно по-близо до земята. Първо направете хоризонтален срез с дълбочина 1/5 – 1/3 от диаметъра на ствола. Не правете клиновидния срез твърде голям. След това направете диагоналния срез.

► **Фиг.34**

ЗАБЕЛЕЖКА: Клиновидният срез определя посоката, в която ще падне дървото, и направлява повалянето му. Изрязва се откъм страната, към която ще бъде повалено дървото.

2. Извършете среза отзад, малко по-високо от основата на клиновидния срез. Задният срез трябва да бъде строго хоризонтален. Оставете разстояние от приблизително 1/10 от диаметъра на ствола между задния срез и клиновидния срез. Влакната на дървото в несрезаната част на ствола действат като шарнир. Своевременно поставете клинове в задния срез.

► **Фиг.35**

⚠ ПРЕДУПРЕЖДЕНИЕ: При никакви обстоятелства не режете директно през влакната. В противен случай дървото ще падне неконтролирано.

БЕЛЕЖКА: За поддържане на задния срез отворен може да използвате само пластмасови или алуминиеви клинове. Използването на железни клинове е забранено.

Пренасяне на инструмента

Преди пренасяне на инструмента винаги задействайте спиратката на веригата и изваждайте акумулаторната батерия от инструмента. След това закрепете капака на водещата шина. Също така покривайте акумулаторната батерия с капака на акумулатора.

► **Фиг.36:** 1. Капак на водещата шина 2. Капак на акумулатора

ПОДДРЪЖКА

⚠ ВНИМАНИЕ: Преди да проверявате или извършвате поддръжка на инструмента, се уверете, че той е изключен и акумулаторната батерия е извадена.

⚠ ВНИМАНИЕ: Винаги носете ръкавици при извършване на каквито и да било дейности за проверка или поддръжка.

БЕЛЕЖКА: Не използвайте бензин, нафта, разредител, спирт и др. подобни. Това може да причини обезцветяване, деформация или пукнатини.

За да се поддържа БЕЗОПАСНОСТТА и НАДЕЖНОСТТА на продукта, ремонтите, поддръжката или регулирането трябва да се извършват от упълномощен сервиз или фабрични сервизни центрове на Makita, като винаги трябва да използвате резервни части от Makita.

Заточване на веригата на триона

Заточете веригата на триона, ако:

- При рязане на влажно дърво се отделят фини стърготини;
- Веригата трудно прониква в дървото дори ако приложите силен натиск;
- Режещия ръб е видимо повреден;
- Трионът "дърпа" наляво или надясно от дървото. (това се дължи на неравномерно заточване на веригата на триона или повреда само на едната страна)

Заточвайте веригата на триона често, но без прекомерно отнемане на материала ѝ. За рутинно заточване обикновено са достатъчни два или три хода на пилата. След като неколккратно сте заточвали режещата верига, е необходимо да я отнесете за заточване в наш упълномощен сервизен център.

Критерии за заточване:

▲ ПРЕДУПРЕЖДЕНИЕ: Прекомерното разстояние между режещия ръб и дълбокомера увеличаваша опасността от откат.

► **Фиг.37:** 1. Дължина на резачката 2. Разстояние между режещия ръб и дълбокомера 3. Минимална дължина на резачката (3 мм)

- Дължината на всички резачки трябва да е еднаква. Различните дължини на резачките предотвратяват безпроблемната работа на веригата на триона и може да доведат до повреда на верижния трион.
- Не заточвайте веригата, когато дължината на резачката е достигнала 3 мм или по-малко. Веригата трябва да бъде заменена с нова.
- Дебелината на отнемане на стружката се определя от разстоянието между дълбокомера (заобления нос) и режещия ръб.
- Най-добри резултати се постигат при следното разстояние между режещия ръб и дълбокомера.
 - Режеща верига 91PX : 0,65 мм
 - Режеща верига 80TXL : 0,65 мм

► **Фиг.38**

- Ъгълът на заточване от 30° трябва да бъде еднакъв за всички резачки. Различните ъгли на резачката могат да предизвикат затруднено и неравномерно движение на веригата, ускорено износване и да доведат до скъсване на веригата.
- Използвайте подходяща кръгла пила, за да поддържате правилен ъгъл на заточване спрямо зъбите.
 - Нож на веригата 91PX : 55°
 - Режеща верига 80TXL : 55°

Пила и насочване на пилата

- За заточване на веригата използвайте специална кръгла пила (допълнителна принадлежност) за вериги на трион. Обикновените кръгли пили не са подходящи.
- Диаметърът на кръглата пила за всяка режеща верига е, както следва:
 - Режеща верига 91PX : 4,0 мм
 - Режеща верига 80TXL : 4,0 мм
- Ходът за заточване на резачката с пилата трябва да е само в посока напред. Повдигнете пилата, така че да не докосва резачката при обратния ход.
- Първо заточете най-късата резачка. След това дължината на най-късата резачка става стандартна за всички останали резци на веригата на триона.
- Насочвайте пилата, както е показано на фигурата.

► **Фиг.39:** 1. Пила 2. Верига на трион

- Ако използвате държач за пила (допълнителна принадлежност), ще можете да насочвате пилата по-лесно. Държачът за пила има маркировки за правилния ъгъл на заточване 30° (подравнете маркировките успоредно на веригата на триона) и ограничаваша дълбочината на проникване (до 4/5 от диаметъра на пилата).

► **Фиг.40:** 1. Държач за пила

- След като заточите веригата, проверете височината на дълбокомера, като използвате инструмента за калибриране на веригата (допълнителна принадлежност).

► **Фиг.41**

- Отстранете всички неравности на материала, колкото и да са малки, с помощта на специална плоска пила (допълнителна принадлежност).
- Отново заоблете предната част на дълбокомера.

Почистване на водещата шина

В канала на водещата шина ще се натрупат стружки и стърготини. Те могат да запушат канала на шината и да нарушат притока на масло. Почиствайте стружките и стърготините всеки път, когато заточвате или сменяте веригата на триона.

► **Фиг.42**

Почистване на капака на зъбното колело

Вътре в капака на зъбното колело ще се натрупат стружки и стърготини. Отстранете капака на зъбното колело и веригата на триона от инструмента, след което почистете стърготините.

► **Фиг.43**

Почистване на отвора за изтичане на масло

Възможно е фин прах или частици да се събират в отвора за изтичане на масло по време на работа. Този фин прах или частици може да нарушат изтичането на маслото и да са причина за недостатъчно смазване на цялата верига на триона. Когато подаването на масло на върха на водещата шина се влоши, почистете отвора за изтичане на масло, както следва.

1. Отстранете капака на верижното колело и веригата на триона от инструмента.
2. Отстранете финия прах или частици с помощта на плоска отвертка или подобен инструмент.

► **Фиг.44:** 1. Плоска отвертка 2. Отвор за изтичане на масло

3. Поставете акумулаторната батерия в инструмента. Натиснете пусковия прекъсвач, за да изкарате полепналия прах или частици от отвора за изтичане на масло, като изпуснете малко от маслото за веригата.
4. Отстранете акумулаторната батерия от инструмента. Монтирайте отново капака на зъбното колело и веригата на триона върху инструмента.

Смяна на зъбното колело

⚠ ВНИМАНИЕ: Износеното зъбно колело ще повреди новата верига на триона. В този случай подменете зъбното колело.

Преди поставяне на нова верига на триона проверете състоянието на зъбното колело.

► **Фиг.45:** 1. Зъбно колело 2. Зони, които може да се износват

При смяна на зъбното колело винаги поставяйте нова зегерова шайба.

► **Фиг.46:** 1. Зегерова шайба 2. Зъбно колело

БЕЛЕЖКА: Уверете се, че зъбното колело е монтирано, както е посочено на фигурата.

Съхранение на инструмента

1. Преди съхраняване почистете инструмента. След отстраняване на капака на зъбното колело почистете всички стружки и стърготини от инструмента.
2. След почистване на инструмента го оставете да поработи на празен ход, за да се смажат веригата на триона и водещата шина.
3. Покрийте водещата шина с капака на водещата шина.
4. Изпразнете масления резервоар.

Указания за периодична поддръжка

За да се осигури продължителен срок на експлоатация, да се предотврати повреда и да се осигури пълната изправност на функциите за безопасност, редовно трябва да се извършва следната поддръжка. Гаранционни претенции се признават само ако тези дейности са били изпълнявани редовно и правилно. Ако предписаните дейности по поддръжката не се извършват, това може да доведе до злополуки! Не е разрешено потребителят на верижния трион да извършва дейности по поддръжката, които не са описани в упътването за работа. Всякакви такива дейности трябва да се извършват от нашия упълномощен сервизен център.

Елемент за проверка/време на работа	Преди работа	Ежедневно	Ежеседмично	На всеки 3 месеца	Ежегодно	Преди съхранение
Вериген трион	Проверка.	✓	-	-	-	-
	Почистване.	-	✓	-	-	-
	Проверете в упълномощен сервизен център.	-	-	-	-	✓
Верига на трион	Проверка.	✓	-	-	-	-
	Заточване, ако е необходимо.	-	-	-	-	✓
Водеща шина	Проверка.	✓	✓	-	-	-
	Отстранете от верижния трион.	-	-	-	-	✓
Спирачка на веригата	Проверете функционирането.	✓	-	-	-	-
	Осигурете редовната проверка в упълномощен сервизен център.	-	-	-	✓	-
Смазване на веригата	Проверете дебита на подаваното масло.	✓	-	-	-	-
Пусков прекъсвач	Проверка.	✓	-	-	-	-
Блокиращ лост	Проверка.	✓	-	-	-	-
Капачка на масления резервоар	Проверете уплътняването.	✓	-	-	-	-
Предпазител на веригата	Проверка.	-	-	✓	-	-
Винтове и гайки	Проверка.	-	-	✓	-	-

ОТСТРАНЯВАНЕ НА НЕИЗПРАВНОСТИ

Преди да заявите ремонт, сами извършете проверка. Ако установите проблем, който не е обяснен в ръководството, не се опитвайте да разглобявате инструмента. Вместо това го занесете в някой от оторизирани сервиси на Makita, които винаги използват за ремонтите резервни части от Makita.

Състояние на неизправността	Причина	Действие
Верижният трион не стартира.	Не е поставена акумулаторна батерия.	Поставете заредена акумулаторна батерия.
	Проблем с батерията (ниско напрежение).	Заредете акумулаторната батерия. Ако зареждането не е ефективно, сменете акумулаторната батерия.
	Превключвателят на главното захранване е изключен.	Верижният трион се изключва автоматично, ако с него не е работено определен период от време. Включете отново главния превключвател на захранването.
Верижният трион не работи.	Задействана е спирачката на веригата.	Освободете спирачката на веригата.
След кратко използване моторът спира да работи.	Нивото на заряда на акумулатора е ниско.	Заредете акумулаторната батерия. Ако зареждането не е ефективно, сменете акумулаторната батерия.
Няма масло върху веригата.	Масления резервоар е празен.	Напълнете масления резервоар.
	Масления канал на водещата шина е замърсен.	Почистете канала.
	Слабо подаване на масло.	Регулирайте количеството на подаваното масло с регулиращия винт.
Верижният трион не достига максимални обороти в минута.	Акумулаторната батерия е монтирана неправилно.	Поставете акумулаторната батерия, както е описано в настоящото ръководство.
	Енергията на батерията спада.	Заредете акумулаторната батерия. Ако зареждането не е ефективно, сменете акумулаторната батерия.
	Задвижващата система не работи изправно.	Отнесете инструмента за ремонт в упълномощен сервизен център във вашия регион.
Главният светлинен индикатор за захранване мига в зелено.	Пусковият прекъсвач е натиснат при неработни условия.	Натиснете пусковия прекъсвач след включване на главния превключвател на захранването и спирачката на триона се освобождава.
Веригата не спира дори след задействане на спирачката на веригата: Спрете инструмента веднага!	Спирачната накладка е износена.	Отнесете инструмента за ремонт в упълномощен сервизен център във вашия регион.
Ненормални вибрации: Спрете инструмента веднага!	Разхлабете водещата шина или веригата на триона.	Регулирайте водещата шина и обтягането на веригата на триона.
	Неизправност в инструмента.	Отнесете инструмента за ремонт в упълномощен сервизен център във вашия регион.
Веригата на триона не може да се монтира.	Комбинацията от веригата на триона и зъбното колело не е правилна.	Използвайте правилната комбинация от верига на триона и зъбно колело, като видите раздела за спецификации.

ДОПЪЛНИТЕЛНИ АКСЕСОАРИ

⚠️ ВНИМАНИЕ: Препоръчва се използването на тези аксесоари или накрайници с вашия инструмент Makita, описан в настоящото ръководство. Използването на други аксесоари или накрайници може да доведе до опасност от телесни повреди. Използвайте съответния аксесоар или накрайник само по предназначение.

Ако имате нужда от помощ за повече подробности относно тези аксесоари, се обърнете към местния сервизен център на Makita.

- Верига на трион
- Водеща шина

- Капак на водещата шина
- Пила
- Чанта за инструменти
- Оригинална акумулаторна батерия и зарядно устройство на Makita

⚠️ ПРЕДУПРЕЖДЕНИЕ: Ако закупите водеща шина с различна дължина от стандартната водеща шина, закупете и подходящ капак на водеща шина. Той трябва да пасне и да покрива напълно водещата шина върху верижния трион.

ЗАБЕЛЕЖКА: Някои артикули от списъка може да са включени в комплекта на инструмента, като стандартни аксесоари. Те може да са различни в различните държави.

SPECIFIKACIJE

Model:		UC014G	UC015G	UC016G	UC017G
Ukupna duljina (bez vodilice)		445 mm			
Nazivni napon		DC 36 V – 40 V			
Neto težina	*1	4,5 kg			
	*2	6,2 – 6,9 kg			
Duljina standardne vodilice		300 mm	350 mm	400 mm	450 mm
Preporučena duljina vodilice		300 – 450 mm			
Primjenjiva vrsta lanca pile (pogledajte tablicu u nastavku)		91PX 80TXL			
Lančanik (91PX)	Broj zubaca	6			
	Veličina lanca	3/8"			
Lančanik (80TXL)	Broj zubaca	7			
	Veličina lanca	0,325"			
Brzina lanca		0 – 25,5 m/s (0 – 1.530 m/min)			
Zapremnina spremnika ulja za lanac		260 cm ³			
Stupanj zaštite		IPX4			

- Zahvaljujući našem stalnom programu razvoja i istraživanja, navedene specifikacije podložne su promjenama bez obavijesti.
- Specifikacije mogu biti različite ovisno o zemlji.

*1: Težina, bez lanca pile, vodilice, poklopca vodilice, ulja i baterijskih uložaka.

*2: Najlakša i najteža kombinacija težine, u skladu s EPTA postupkom 01/2014. Težina se može razlikovati ovisno o opremi, uključujući baterijske uloške.

Kombinacija lanca pile, vodilice i lančanika

Vrsta lanca pile		91PX			
Broj pogonskih karika		46	52	56	62
Vodilica	Duljina vodilice	300 mm	350 mm	400 mm	450 mm
	Duljina rezanja	268 mm	324 mm	361 mm	418 mm
	Veličina lanca	3/8"			
	Mjerač	1,3 mm			
	Vrsta	Šipka na prednjem dijelu lančanika			
Lančanik	Broj zubaca	6			
	Veličina lanca	3/8"			

Vrsta lanca pile		80TXL			
Broj pogonskih karika		51	59	64	70
Vodilica	Duljina vodilice	300 mm	350 mm	400 mm	450 mm
	Duljina rezanja	259 mm	325 mm	366 mm	416 mm
	Veličina lanca	0,325"			
	Mjerač	1,1 mm			
	Vrsta	Šipka na prednjem dijelu lančanika			
Lančanik	Broj zubaca	7			
	Veličina lanca	0,325"			

UPOZORENJE: Upotrebljavajte ispravnu kombinaciju vodilice i lančane pile. U protivnom može doći do osobnih ozljeda.

Odgovarajući baterijski uložak i punjač

Baterija	BL4040 / BL4050F* * : preporučena baterija
Punjač	DC40RA / DC40RB / DC40RC

- Neki od navedenih baterijskih uložaka i punjača možda neće biti dostupni ovisno o regiji u kojoj se nalazite.

⚠ UPOZORENJE: Upotrebljavajte samo navedene baterijske uloške i punjače. Upotreba bilo koje druge vrste baterijskih uložaka i punjača može prouzročiti ozljede i/ili požar.

Preporučeni izvor napajanja spojen kabelom

Prijenosno napajanje	PDC01
----------------------	-------

- Prethodno navedeni izvori napajanja spojeni kabelom možda neće biti dostupni ovisno o regiji u kojoj se nalazite.
- Prije upotrebe izvora napajanja spojenog kabelom pročitajte upute i znakove opreza koji se na njima nalaze.

Simboli

U nastavku su prikazani simboli koji se upotrebljavaju za opremu. Prije korištenja provjerite jeste li razumjeli njihovo značenje.

	Pročitajte priručnik s uputama.
	Nosite zaštitne naočale.
	Nosite zaštitu za uši.
	Nosite kacigu, naočale i štitnike za uši.
	Maksimalna dopuštena duljina reza
	Prilikom rukovanja lančanom pilom uvijek upotrebljavajte obje ruke.
	Pazite na povratni udar motorne pile i izbjegavajte kontakt s vrhom vodilice.
	Smjer hoda lanca
	Prilagodba razine ulja za lanac pile
	Samo za države EU Zbog prisutnosti opasnih komponenti u opremi, otpadna električna i elektronička oprema, akumulatori i baterije i mogu imati negativan učinak na okoliš i ljudsko zdravlje. Nemojte odlagati električne i elektroničke uređaje ili baterije s ostalim kućanskim otpadom! U skladu s Europskom direktivom o otpadnoj električnoj i elektroničkoj opremi, o akumulatorima i baterijama te o otpadnim akumulatorima i baterijama, i njenoj prilagodbi nacionalnim zakonima, otpadna električna oprema, baterije i akumulatori trebali bi se pohranjivati zasebno i isporučivati u odvojena sabirna mjesta za komunalni otpad, koja postupaju u skladu s uredbama o zaštiti okoliša. To je naznačeno simbolom prekržižene kante za otpad na kotačima koja je postavljena na opremi.



Zajamčena razina jačine zvuka u skladu s Direktivom EU o emisiji buke u okoliš.



Razina jačine zvuka u skladu s Uredbom o kontroli buke u Australiji (Novi Južni Wales)

Namjena

Ova je lančana pila namijenjena za rezanje drva.

Buka

Tipična jačina buke označena s A, određena sukladno EN62841-4-1:

Model UC014G

Razina tlaka zvuka (L_{pA}) : 91 dB (A)
Razina snage zvuka (L_{WA}) : 102 dB (A)
Neodređenost (K): 3 dB (A)

Model UC015G

Razina tlaka zvuka (L_{pA}) : 91 dB (A)
Razina snage zvuka (L_{WA}) : 102 dB (A)
Neodređenost (K): 3 dB (A)

Model UC016G

Razina tlaka zvuka (L_{pA}) : 91 dB (A)
Razina snage zvuka (L_{WA}) : 102 dB (A)
Neodređenost (K): 3 dB (A)

Model UC017G

Razina tlaka zvuka (L_{pA}) : 91 dB (A)
Razina snage zvuka (L_{WA}) : 102 dB (A)
Neodređenost (K): 3 dB (A)

NAPOMENA: Deklarirana vrijednost emisije buke izmjerena je prema standardnoj metodi testiranja i može se rabiti za usporedbu jednog alata s drugim.

NAPOMENA: Deklarirana vrijednost emisije buke također se može rabiti za preliminarnu procjenu izloženosti.

⚠ UPOZORENJE: Nosite zaštitu za uši.

⚠ UPOZORENJE: Emisija buke tijekom stvarnog korištenja električnog ručnog alata se može razlikovati od deklariranih vrijednosti emisije, ovisno o načinu na koji se alat rabi, posebice ovisno o tome kakav se izradak izrađuje.

⚠ UPOZORENJE: Nemojte zaboraviti da identificirate sigurnosne mjere zaštite rukovatelja koje se temelje na procjeni izloženosti u stvarnim uvjetima korištenja (uzimajući u obzir sve dijelove radnog ciklusa, poput vremena kada je alat isključen i kada on radi u praznom hodu, a također i vrijeme okidanja).

Vibracija

Ukupna vrijednost vibracija (troosni vektorski zbir) izračunata u skladu s EN62841-4-1:

Model UC014G

Način rada: rezanje drva

Emisija vibracija ($a_{h,w}$): 5,0 m/s²

Neodređenost (K): 1,5 m/s²

Model UC015G

Način rada: rezanje drva

Emisija vibracija ($a_{h,w}$): 5,0 m/s²

Neodređenost (K): 1,5 m/s²

Model UC016G

Način rada: rezanje drva

Emisija vibracija ($a_{h,w}$): 5,0 m/s²

Neodređenost (K): 1,5 m/s²

Model UC017G

Način rada: rezanje drva

Emisija vibracija ($a_{h,w}$): 5,0 m/s²

Neodređenost (K): 1,5 m/s²

NAPOMENA: Deklarirana vrijednost ukupnih vibracija izmjerena je prema standardnoj metodi testiranja i može se rabiti za usporedbu jednog alata s drugim.

NAPOMENA: Deklarirana vrijednost ukupnih vibracija također se može rabiti za preliminarnu procjenu izloženosti.

⚠ UPOZORENJE: Emisija vibracija tijekom stvarnog korištenja električnog ručnog alata se može razlikovati od deklariranih vrijednosti emisije, ovisno o načinu na koji se alat rabi, posebice ovisno o tome kakav se izradak izrađuje.

⚠ UPOZORENJE: Nemojte zaboraviti da identificirate sigurnosne mjere zaštite rukovatelja koje se temelje na procjeni izloženosti u stvarnim uvjetima korištenja (uzimajući u obzir sve dijelove radnog ciklusa, poput vremena kada je alat isključen i kada on radi u praznom hodu, a također i vrijeme okidanja).

Izjava o sukladnosti EZ

Samo za države članice Europske unije

Izjava o sukladnosti EZ u privitku je Priloga A ovih uputa za upotrebu.

SIGURNOSNA UPOZORENJA

Opća sigurnosna upozorenja za električne ručne alate

⚠ UPOZORENJE: Pročitajte sva sigurnosna upozorenja, upute, ilustracije i specifikacije priložene uz ovaj električni ručni alat. Nepriдрžavanje svih uputa navedenih u nastavku može rezultirati strujnim udarom, požarom i/ili ozbiljnim ozljedama.

Sačuvajte sva upozorenja i upute radi kasnijeg korištenja.

Pojam „električni alat“ u upozorenjima odnosi se na električni (kabelski) alat uključen u struju ili na bežične električne alate (na baterije).

Opća sigurnosna upozorenja za lančanu pilu

1. **Držite sve dijelove tijela podalje od lančane pile ako lanac radi.** Prije pokretanja lančane pile provjerite da lanac ništa ne dodiruje. Trenutak nepažnje u radu s lančanom pilom može prouzročiti zahvaćanje odjeće ili dijelova tijela lancem pile.
2. **Pilu uvijek držite tako da vam desna ruka bude na stražnjoj ručki, a lijeva na prednjoj.** Držanjem motorne pile obrnutim rasporedom ruku povećava se opasnost od ozljeda i ono je zabranjeno.
3. **Lančanu pilu držite isključivo za izolirane rukohvate jer lanac pile može doći u doticaj sa skrivenim žicama.** Lanci pile koji dođu u doticaj sa žicom pod naponom mogu dovesti pod napon izložene metalne dijelove lančane pile i rukovatelj može pretrpjeti strujni udar.
4. **Nosite zaštitu za oči.** Preporučuje se i dodatna zaštitna oprema za sluh, glavu, ruke, noge i stopala. Odgovarajuća zaštitna oprema smanjit će mogućnost ozljede od letućih krotina ili slučajnog kontakta s lancem pile.
5. **Nemojte rukovati lančanom pilom sa stabla, na ljestvama, na krovu ili na bilo kojoj nestabilnoj površini.** Rukovanje oštećenom lančanom pilom može dovesti do teške tjelesne ozljede.
6. **Uvijek osigurajte odgovarajuće uporište i lančanom pilom rukujte samo dok stojite na fiksnoj, sigurnoj i ravnoj površini.** Klizave ili nestabilne površine mogu dovesti do gubitka ravnoteže ili kontrole nad lančanom pilom.
7. **Kada režete granu koja je napeta, pripazite na povratni udar opruge.** Kada se napetost u vlaknima drveta oslobodi, opruga može udariti rukovatelja i/ili staviti lančanu pilu izvan kontrole.
8. **Budite oprezni prilikom rezanja žbunja i mladica.** Ovaj tanki materijal može uhvatiti lančanu pilu i baciti se prema vama ili vas izbaciti iz ravnoteže.
9. **Kada je nosite, lančanu pilu držite podalje od svog tijela i neka bude isključena.** Prilikom prenošenja ili pospremanja na lančanu pilu, uvijek stavite poklopac vodilice. Pravilno rukovanje lančanom pilom smanjuje vjerojatnost slučajnog kontakta s pokretnim lancem pile.

10. **Slijedite upute za podmazivanje, zatezanje lanca i zamjenu vodilice i lanca.** Nepravilno zategnut ili podmazan lanac može slomiti alat ili povećati šanse za povratni udar.
11. **Režite samo drva. Lančanu pilu ne upotrebljavajte u svrhe za koje nije namijenjena. Primjerice, nemojte je koristiti za rezanje metala, plastike, u zidarstvu ili za građevinski materijal koji nije drveni.** Upotreba lančane pile u svrhe za koje nije namijenjena može dovesti do opasnih situacija.
12. **Nemojte pokušati posjeci stablo ako ne razumijete sve rizike i kako iz izbjeći.** Prilikom sječenja stabla može doći do ozbiljnih ozljeda rukovatelja ili osoba koje stoje u blizini.
13. **Uzroci i način kako rukovatelj može spriječiti povratni udar:**
 Povratni udar može se dogoditi kada nos ili vrh vodilice dodirne neki objekt ili kad se drvo zatvori i priklješti lanac pile u rezu.
 Kontakt s vrhom u nekim slučajevima može uzrokovati naglu obrnutu reakciju te udariti vodilicu prema gore i gurnuti je natrag prema rukovatelju. Priklještenje lanca pile na vrhu vodilice može brzo gurnuti vodilicu natrag prema rukovatelju. Svaka od tih reakcija može prouzročiti gubitak kontrole nad pilom, što može dovesti do ozbiljnih ozljeda. Nemojte se oslanjati isključivo na sigurnosne uređaje ugrađene u pilu. Kao korisnik lančane pile morate i sami poduzeti nekoliko koraka kako prilikom rezanja ne bi došlo do nezgoda ili ozljeda. Povratni je udar rezultat pogrešne upotrebe lanca pile i/ili nepravilnih radnih postupaka ili uvjeta, a može se spriječiti poduzimanjem prikladnih mjera opreza kao što je navedeno u nastavku:
 - **Alat držite čvrsto, s palčevima i prstima oko ručki lančane pile te s objema rukama na pili i postavite svoje tijelo i ruke u takav položaj da se može oduprijeti povratnom udaru.** Rukovatelj može kontrolirati silinu povratnog udara ako poduzme pravilne mjere opreza. Pazite da vam lančana pila ne ispadne.

► SI.1

- **Nemojte se pretjerano protezati i nemojte rezati iznad visine ramena.** Tako se sprječava nehotično dodirivanje vrha i omogućuje bolja kontrola nad lančanom pilom u neočekivanim situacijama.
 - **Koristite samo zamjenske vodilice i lance pile koje propisuje proizvođač.** Neispravne zamjenske vodilice i lanci pile mogu izazvati lomljenje i/ili povratni udar.
 - **Slijedite upute proizvođača o oštrenju i održavanju lanca pile.** Smanjenje visine graničnika dubine može povećati opasnost od povratnog udara.
14. **Pratite sve upute prilikom uklanjanja zaglavljelog materijala, pospremanja ili servisiranja lančane pile.** Provjerite je li sklopka isključena i je li baterijski uložak izvađen. Neočekivano pokretanje lančane pile pri uklanjanju zaglavljelog materijala ili popravljanju može uzrokovati ozbiljne tjelesne ozljede.

Dodatne sigurnosne upute

Osobna zaštitna oprema

1. Odjeća vam treba biti odgovarati i ne smije ometati mobilnost.
2. Nosite sljedeće zaštitnu odjeću za vrijeme rada:
 - Testirana sigurnosna kaciga, ako postoji opasnost od pada grane ili slično;
 - Masku za lice ili zaštitne naočale;
 - Pogodnu zaštitu za uši (ušne školjke, prilagodljive ili po mjeri izrađene čepove za uši). Analiza razine buke na zahtjev.
 - Čvrste kožne zaštitne rukavice;
 - Duge hlače izrađene od jake tkanine;
 - Zaštitne traperice od tkanine otporne na za rez otporne;
 - Sigurnosne cipele ili čizme s potplatima koji se ne klizu, čeličnom zaštitom na prstima, obložene tkaninom koja se reže;
 - Masku za disanje, pri obavljanju posla koji proizvodi prašinu (npr. piljenje drva suha).

Rad

1. **Prije početka rada provjerite je li lančana pila ispravna i je li njezino stanje u skladu sa sigurnosnim propisima. Posebice provjerite sljedeće:**
 - ispravan rad kočnice lanca;
 - ispravan rad kočnice za blokadu;
 - pravilnu ugrađnju vodilice i poklopca lančanika;
 - naoštrenost i zategnutost lanca sukladno propisima.
2. **Nemojte pokretati lančanu pilu dok je postavljen poklopac lanca.** Pokretanje lančane pile s postavljenim poklopcem lanca može prouzročiti izbacivanje poklopca lanca i dovesti do ozljeda ili oštećenja predmeta oko rukovatelja.
3. **Kada alat upotrebljavate na blatnjavom tlu, vlažnoj strmini ili skliskom mjestu, pripazite na svoje uporište.**
4. **Nemojte uranjati alat u lokvu.**
5. **Nemojte ostavljati alat bez nadzora na kiši.**

Električna sigurnost i sigurnost baterije

1. **Izbjegavajte opasan okoliš. Alat nemojte upotrebljavati na vlažnim ili mokrim mjestima niti ga izlagati kiši.** Ulazak vode u alat može povećati rizik od strujnog udara.
2. **Bateriju/e ne bacajte u vatru.** Čelija ja mogla eksplodirati. Provjerite u lokalnim propisima postoje li posebne upute za odlaganje.
3. **Nemojte otvarati niti uništavati bateriju/e.** Ispušteni elektrolit jest korozivan i može oštetiti oči ili kožu. Možete se otrovati ako ga progutate.
4. **Ne punite bateriju na kiši ili na mokrim mjestima.**
5. **Ne punite bateriju na otvorenom.**
6. **Ne rukujte punjačem, uključujući utikač punjača, i priključcima punjača mokrim rukama.**
7. **Nemojte mijenjati bateriju na kiši.**
8. **Nemojte mijenjati bateriju mokrim rukama.**

9. **Nemojte ostavljati bateriju na kiši niti je puniti, upotrebljavati ili skladištiti na vlažnom ili mokrom mjestu.**
 10. **Nemojte močiti priključke baterije tekućinom kao što je voda niti uranjati bateriju.** Ako se priključci smoče ili ako tekućina uđe u bateriju, može doći do kratkog spoja baterije i postoji opasnost od pregrijavanja, požara ili eksplozije.
 11. **Nakon što uklonite bateriju iz stroja ili punjača, obavezno pričvrstite poklopac baterije na bateriju i skladištite je na suhom mjestu.**
 12. **Ako se baterijski uložak smoči, ocijedite vodu iznutra i prebrišite suhom krpom.** Baterijski uložak potpuno osušite na suhom mjestu prije upotrebe.
- Održavanje i skladištenje**
1. **Kada skladištite alat, izbjegavajte izravnu sunčevu svjetlost i kišu i skladištite ga na mjestu koje se ne zagrijava i nije vlažno.**

ČUVAJTE OVE UPUTE.

⚠UPOZORENJE: NEMOJTE dozvoliti da udobnost ili znanje o proizvodu (stečeno stalnim korištenjem) zamijene strogo pridržavanje sigurnosnih propisa za određeni proizvod. ZLOUPORABA ili nepridržavanje sigurnosnih propisa navedenih u ovom priručniku s uputama mogu prouzročiti ozbiljne ozljede.

Važne sigurnosne upute za bateriju

1. **Prije uporabe baterije pročitajte sve upute i oznake upozorenja na (1) punjaču za baterije, (2) bateriji i (3) proizvodu koji koristi bateriju.**
2. **Nemojte rastavljati ili izmjenjivati baterijski uložak.** To može dovesti do požara, pretjeranog zagrijavanja ili eksplozije.
3. **Ako se vrijeme rada znatno skratilo, odmah prestanite raditi.** Može doći do pregrijavanja, mogućih opekline pa čak i eksplozije.
4. **Ako vam elektrolit dospje u oči, isperite ih čistom vodom i odmah se obratite liječniku.** Tako možete izgubiti vid.
5. **Nemojte kratko spajati bateriju:**
 - (1) **Ne dovodite terminale u kontakt s provodljivim materijalima.**
 - (2) **Ne čuvajte bateriju u spremniku s drugim metalnim predmetima poput čavala, kovanica itd.**
 - (3) **Ne izlažite bateriju vodi ili kiši.** Kratki spoj baterije može uzrokovati velik protok struje, pregrijavanje, moguće opekline pa čak i kvar.
6. **Ne držite i ne upotrebljavajte alat i baterijski uložak na mjestima gdje temperatura može premašiti 50 °C (122 °F).**
7. **Ne spaljujte bateriju čak ni ako je ozbiljno oštećena ili potpuno istrošena.** Baterija može eksplodirati u vatri.
8. **Nemojte zabijati čavle u baterijski uložak, rezati ga, gnječiti, bacati ili udarati tvrdim predmetom.** Ti postupci mogu dovesti do požara, pretjeranog zagrijavanja ili eksplozije.
9. **Ne koristite oštećene baterije.**
10. **Sadržane litij-ionske baterije podliježu odredbama zakonskih propisa o opasnim tvarima.** Kada se radi o komercijalnom transportu koji obavlja npr. dobavljači ili špediteri, moraju se poštovati posebni zahtjevi na pakiranju i oznakama. Prilikom pripreme isporuke takve stavke potražite savjet stručnjaka za opasne tvari. Pogledajte i moguće detaljnije nacionalne propise. Prekrijte trakom ili zaštitite otvorene kontakte i bateriju zapakirajte tako da se ne može pomicati u pakiranju.
11. **Kada odlažete baterijski uložak u otpad, uklonite ga iz alata i zbrinite na sigurnom mjestu.** Pridržavajte se lokalnih zakonskih propisa za zbrinjavanje baterija.
12. **Upotrebljavajte baterije samo s proizvodima koje je odobrila tvrtka Makita.** Umetanje baterija u neprikladne proizvode može dovesti do požara, prekomjerne topline, eksplozije ili curenja elektrolita.
13. **Ako se alat ne upotrebljava dulje vrijeme, bateriju morate ukloniti iz alata.**
14. **Tijekom i nakon upotrebe baterijski uložak može se zagrijati i prouzročiti opekline višeg ili nižeg stupnja.** Pažljivo rukujte vrućim baterijskim ulošcima.
15. **Nemojte dirati priključak alata neposredno nakon upotrebe jer se može zagrijati toliko da prouzroči opekline.**
16. **Nemojte dopustiti da krhotine, prašina ili zemlja zapnu u priključcima, otvorima i utorima baterijskog uloška.** To može dovesti do pregrijavanja, zapaljenja, eksplozije ili kvara na uređaju ili baterijskom ulošku, što može prouzročiti opekline ili osobne ozljede.
17. **Ako alat ne podržava upotrebu u blizini visokonaponskih električnih vodova, nemojte upotrebljavati baterijski uložak u blizini a visokonaponskih električnih vodova.** To može dovesti do neispravnog rada ili kvara alata ili baterijskog uloška.
18. **Bateriju čuvajte podalje od djece.**

ČUVAJTE OVE UPUTE.

⚠OPREZ: Uvijek upotrebljavajte originalne baterije Makita. Upotreba baterija koje nisu originalne baterije Makita ili su izmijenjene može dovesti do rasprskavanja baterije i uzrokovati požar, tjelesnu ozljedu ili štetu. To će također poništiti jamstvo tvrtke Makita za alat i punjač Makita.

Savjeti za održavanje najduljeg vijeka trajanja baterije

1. **Napunite bateriju prije nego što se potpuno isprazni.** Uvijek zaustavite alat i napunite bateriju kad primijetite da alat slabije radi.
2. **Nikad ne punite već do kraja napunjenu bateriju.** Pretjerano punjenje skraćuje radni vijek baterije.
3. **Bateriju punite na sobnoj temperaturi između 10 °C i 40 °C.** Vruću bateriju prije punjenja ostavite da se ohladi.
4. **Kada ne upotrebljavate baterijski uložak, uklonite ga iz alata ili punjača.**
5. **Napunite bateriju ako je ne mislite koristiti duže vrijeme (duže od 6 mjeseci).**

OPIS DIJELOVA

► SI.2

1	Baterijski uložak	2	Prednji štitnik za ruke	3	Ručica
4	Vodilica	5	Lanac pile	6	Kotačić za namještanje
7	Žaruljica napajanja	8	Glavni prekidač napajanja	9	Ručica za blokadu
10	Stražnja ručka	11	Uključno-isključna sklopka	12	Prednja ručka
13	Poklopac spremnika ulja	14	Poklopac vodilice	15	Vijak za namještanje (za pumpu za ulje)
16	Hvatač lanca	-	-	-	-

FUNKCIONALNI OPIS

▲ OPREZ: Prije podešavanja ili provjere rada alata obavezno provjerite je li stroj isključen i baterija uklonjena.

Umetanje ili uklanjanje baterije

▲ OPREZ: Uvijek isključite alat prije umetanja ili uklanjanja baterije.

▲ OPREZ: Čvrsto držite alat i bateriju pri umetanju ili uklanjanju baterije. Ako alat i bateriju ne držite čvrsto, mogli bi vam iskliznuti iz ruku te oštetiti alat i bateriju ili uzrokovati osobnu ozljedu.

► SI.3: 1. Crvena oznaka 2. Gumb 3. Baterija

Za uklanjanje bateriju gurnite van iz alata pritiskom gumba na prednjoj strani uloška.

Za umetanje baterijskog uloška poravnajte jezičac na baterijskom ulošku s utorom na kućištu i gurnite ga na mjesto. Umetnite bateriju skroz do kraja dok ne sjedne na svoje mjesto uz mali klik. Ako možete vidjeti crvenu oznaku kao što je prikazano na slici, ona nije do kraja sjela na svoje mjesto.

▲ OPREZ: Uvijek umetnite baterijski uložak do kraja tako da ne možete vidjeti crvenu oznaku. U suprotnom može slučajno ispasti iz alata, što može dovesti do ozljede vas ili nekog u blizini.

▲ OPREZ: Ne umećite bateriju silom. Ako baterija ne klizne lagano, znači da nije ispravno umetnuta.

Prikaz preostalog kapaciteta baterije

Pritisnite gumb za provjeru na bateriji kako biste provjerili preostali kapacitet baterije. Žaruljica indikatora zasvijetlit će na nekoliko sekundi.

► SI.4: 1. Žaruljice indikatora 2. Gumb za provjeru

Žaruljice indikatora			Preostali kapacitet
Svijetli	Isključeno	Treperi	
■	□	▧	75 % do 100 %
■ ■ ■ ■			
■ ■ ■ □			50 % do 75 %
■ ■ □ □			25 % do 50 %
■ □ □ □			0 % do 25 %
▧ □ □ □			Napunite bateriju.
■ ■ □ □			Baterija je možda neispravna.
□ □ ■ ■			

NAPOMENA: Ovisno o uvjetima upotrebe i temperaturi okoline, prikaz indikatora može se donekle razlikovati od stvarnog kapaciteta.

NAPOMENA: Prva (krajnja lijeva) žaruljica indikatora treperit će dok radi sustav za zaštitu baterije.

Sustav zaštite alata/baterije

Ovaj alat sadrži sustav zaštite alata/baterije. Sustav automatski prekida napajanje motora da bi produžio vijek trajanja alata i baterije. Alat automatski prestaje raditi ako se alat ili baterija nađu u nekom od sljedećih uvjeta:

Zaštita od preopterećenja

Kada se baterija koristi na način pri kojemu troši neobično mnogo struje, alat se automatski zaustavlja i žaruljica napajanja treperi. U tom slučaju isključite alat i prekinite ga upotrebljavati na način koji je izazvao preopterećenje. Zatim uključite alat kako biste ga pokrenuli.

Zaštita od pregrijavanja

U slučaju pregrijavanja alata ili baterije, alat se automatski zaustavlja i žaruljica napajanja svijetli crveno. U tom slučaju ostavite alat i bateriju da se ohlade prije ponovnog uključivanja alata.

NAPOMENA: Pri visokim temperaturama okoline, zaštita od pregrijavanja vjerojatno će se uključiti i alat će se automatski zaustaviti.

Zaštita od prekomjernog pražnjenja

Kada kapacitet baterije nije dostatan, alat se automatski zaustavlja i žaruljica napajanja treperi crveno. U tom slučaju izvadite bateriju iz alata i napunite je.

Zaštita od ostalih uzroka

Sustav zaštite napravljen je i za ostale uzroke koji bi mogli oštetiti alat i omogućuje automatsko zaustavljanje alata. Poduzmite sve sljedeće korake da biste otklonili uzroke kada je alat privremeno zaustavljen ili prestao s radom.

1. Isključite alat pa ga ponovno uključite da biste ga pokrenuli.
2. Napunite jednu ili više baterija ili ih zamijenite napunjenim baterijama.
3. Pustite da se uređaj i jedna ili više baterija ohlade.

Ako obnavljanje sustava zaštite nije dovelo do poboljšanja, obratite se lokalnom servisnom centru tvrtke Makita.

NAPOMENA: Ako se alat zaustavlja zbog uzroka koji nisu gore opisani, pogledajte odjeljak za rješavanje problema.

Glavni prekidač napajanja

▲ UPOZORENJE: Kada ne upotrebljavate alat, uvijek isključite glavni prekidač napajanja.

Da biste uključili uređaj, pritisnite glavni prekidač napajanja. Žaruljica napajanja svijetli zeleno. Za isključenje ponovno pritisnite glavni prekidač napajanja.

► **SI.5:** 1. Žaruljica napajanja 2. Glavna sklopka napajanja

NAPOMENA: Žaruljica napajanja treperi zeleno u slučaju povlačenja uključno/isključne sklopke u uvjetima koji nisu prihvatljivi za rad. Žaruljica treperi u jednom od slučajeva navedenih u nastavku.

- Ako uključite glavnu sklopku napajanja dok držite ručicu za blokadu i uključno/isključnu sklopku.
- Ako povučete uključno/isključnu sklopku dok je uključena kočnica lanca.
- Ako pustite kočnicu lanca dok držite ručicu za blokadu i uključno/isključnu sklopku.

NAPOMENA: Ovaj alat ima funkciju automatskog isključivanja. Kako bi se izbjeglo neželjeno pokretanje, glavni prekidač napajanja automatski se isključuje ako se uključno/isključna sklopka ne povuče tijekom određenog razdoblja nakon uključivanja glavnog prekidača napajanja.

Uključivanje i isključivanje

▲ UPOZORENJE: Radi vaše sigurnosti ovaj je alat opremljen ručicom za blokadu koja sprječava nehotično pokretanje. NIKADA ne koristite alat ako se uključio običnim povlačenjem uključno-isključne sklopke, a bez da ste prethodno pritisnuli ručicu za blokadu. Vratite alat u ovlaštenu servisni centar na popravak PRIJE daljnje uporabe.

▲ UPOZORENJE: NIKAD ne učvršćujte vrpcom polugu za blokadu niti onemogućujte njezinu svrhu i funkciju.

▲ OPREZ: Prije umetanja baterije u alat provjerite radi li uključno/isključna sklopka i vraća li se u položaj za isključivanje „OFF” nakon otpuštanja.

NAPOMENA: Ne povlačite snažno uključno/isključnu sklopku ako niste pritisnuli polugu za blokadu. Na taj bi se način sklopka mogla slomiti.

Za sprečavanje slučajnog povlačenja uključno/isključne sklopke na alat je postavljena ručica za blokadu. Za pokretanje alata otpustite ručicu za blokadu i povucite uključno/isključnu sklopku. Brzina alata povećava se povećanjem pritiska na uključno/isključnu sklopku. Za zaustavljanje otpustite uključno/isključnu sklopku.

► **SI.6:** 1. Uključno-isključna sklopka 2. Ručica za blokadu

Provjera kočnice pile

▲ OPREZ: Prilikom uključivanja lančanu pilu držite objema rukama. Stražnju ručku stroja držite desnom rukom, a prednju lijevom rukom. Vodilica i lanac ne smiju biti u doticaju ni s kojim predmetom.

▲ OPREZ: Ako se lanac ne zaustavi odmah nakon ovog testa, upotreba pile zabranjena je u svim okolnostima. Obratite se ovlaštenom servisnom centru.

1. Pritisnite ručicu za blokadu i zatim povucite uključno-isključnu sklopku. Lančana pila odmah će se pokrenuti.
 2. Nadlanicom pritisnite prednji štitnik za ruke prema naprijed. Provjerite zaustavlja li se odmah lanac pile.
- **SI.7:** 1. Prednji štitnik za ruke 2. Deblokirani položaj 3. Blokirani položaj

Provjera kočnice za zaustavljanje

▲ OPREZ: Ako se lančana pila ne zaustavi jednu sekundu nakon ovog testa, prestanite je upotrebljavati i obratite se ovlaštenom servisnom centru.

Pokrenite lančanu pilu pa do kraja otpustite uključno-isključnu sklopku. Lanac pile mora se zaustaviti na jednu sekundu.

Prilagodba podmazivanja lanca

Brzinu dovoda pumpe za ulje možete prilagoditi vijkom za prilagođavanje. Količinu ulja možete prilagoditi univerzalnim ključem.

► **SI.8:** 1. Vijak za prilagođavanje

MONTAŽA

▲OPREZ: Prije izvođenja bilo kakve radnje na alatu obavezno provjerite je li stroj isključen i baterija uklonjena.

▲OPREZ: Ne dodirujte lanac pile golim rukama. Pri rukovanju lancem pile uvijek nosite rukavice.

Instalacija ili uklanjanje lanca pile

▲OPREZ: Lanac pile i vodilica vrući su odmah nakon rada. Ostavite ih da se dovoljno ohlade prije rada na alatu.

▲OPREZ: Postupak postavljanja ili uklanjanja lanca pile obavite na čistom mjestu bez piljevine i sličnih čestica.

Postavljanje lanca pile

Lanac pile postavite na sljedeći način:

1. Otpustite kočnicu lanca povlačenjem prednjeg štitnika za ruke.
2. Povucite ručicu prema gore pritišćući njezin rub.
► **SI.9:** 1. Ručica
3. Okrećite ručicu u smjeru suprotnom od kazaljke na satu sve dok lančanik ne spadne.
► **SI.10:** 1. Ručica 2. Poklopac lančanika
4. Uklonite poklopac lančanika.
5. Provjerite usmjerenost lanca pile. Uskladite usmjerenost lanca pile s oznakom na kućištu lančane pile.
► **SI.11:** 1. Označavanje na kućištu lančane pile
6. Postavite jedan kraj lanca pile na vrh vodilice.
7. Drugi kraj lanca pile postavite oko lančanika, zatim pričvrstite vodilicu na tijelo lančane pile.
► **SI.12:** 1. Lančanik
8. Okrenite kotačić za namještanje u smjeru „-“ kako bi se podesni zatik klizno pomaknuo u smjeru strelice.
► **SI.13:** 1. Kotačić za namještanje 2. Podesni zatik
9. Postavite poklopac zupčanika na lančanu pilu tako da podesni zatik bude u malenoj rupi na vodilici.
► **SI.14:** 1. Poklopac lančanika 2. Vodilica 3. Rupa
10. Okrenite ručicu u smjeru kazaljke na satu do kraja, a zatim okrenite ručicu lagano unatrag kako biste zadržali labavost za namještanje napetosti lanca.
11. Namjestite napetost lanca. Postupak potražite u odjeljku za namještanje napetosti lanca pile.
12. Okrećite ručicu u smjeru kazaljke na satu sve dok se poklopac lančanika ne učvrsti u svom izvornom položaju.
► **SI.15:** 1. Ručica 2. Poklopac lančanika

Skidanje lanca pile

Lanac pile uklonite na sljedeći način:

1. Otpustite kočnicu lanca povlačenjem prednjeg štitnika za ruke.
2. Okrenite kotačić za namještanje prema oznaci „-“ kako biste otpustili lanac pile.
► **SI.16:** 1. Kotačić za namještanje
3. Povucite ručicu prema gore pritišćući njezin rub.
► **SI.17:** 1. Ručica
4. Okrećite ručicu u smjeru suprotnom od kazaljke na satu sve dok lančanik ne spadne.
► **SI.18:** 1. Ručica 2. Poklopac lančanika
5. Uklonite poklopac lančanika i zatim uklonite lanac pile i vodilicu s kućišta lančane pile.

Namještanje napetosti lanca pile

▲OPREZ: Postupak postavljanja ili uklanjanja lanca pile obavite na čistom mjestu bez piljevine i sličnih čestica.

▲OPREZ: Nemojte previše zategnuti lanac pile. Jako zategnuti lanac pile može prouzročiti lom pile, istrošenost vodilice ili pucanje kotačića za namještanje.

▲OPREZ: Suvviše labav lanac može odskočiti s vodilice i prouzročiti ozljede.

Lanac pile može se olabaviti nakon mnogo sati upotrebe. Povremeno provjerite napetost lanca pile prije upotrebe.

1. Povucite ručicu prema gore pritišćući njezin rub.
► **SI.18:** 1. Ručica
 2. Lagano okrenite ručicu u smjeru suprotnom od kazaljke na satu kako biste malo otpustili poklopac lančanika.
► **SI.20:** 1. Ručica 2. Poklopac lančanika
 3. Malo podignite vrh vodilice i namjestite napetost lanca. Okrećite kotačić za namještanje u smjeru „-“ za otpuštanje i u smjeru „+“ za zatezanje. Zatežite lanac pile dok donja strana lanca pile ne uđe u šinu vodilice kao što je prikazano na slici.
► **SI.21:** 1. Kotačić za namještanje 2. Vodilica 3. Lanac pile
 4. Nastavite lagano zadržavati vodilicu i zategnite poklopac zupčanika. Provjerite da se lanac pile nije olabavio na donjoj strani.
 5. Vratite ručicu u izvorni položaj.
- Provjerite sjeda li dobro lanac pile na donjoj strani vodilice.

Podmazivanje

⚠OPREZ: Nemojte rukovati lančanom pilom kada je spremnik prazan. Nadopunite ulje u odgovarajuće vrijeme prije nego se spremnik isprazni.

⚠OPREZ: Ulje ne smije doći u dodir s kožom i očima. Pri dodiru s očima ulje ih nadražuje. U slučaju dodira s očima odmah vodom isperite dotično oko i smjestite se obratite liječniku.

⚠OPREZ: Nikad ne koristite otpadno ulje. Otpadno ulje sadrži kancerogene tvari. Kontaminanti u otpadnom ulju pospješuju trošenje uljne pumpe, vodilice i lanca. Otpadno ulje šteti okolišu.

NAPOMENA: Kad prvi put upotrijebite lančanu pilu, ulju će možda trebati do dvije minute da počne podmazivati mehanizam pile. Držite pilu u pogonu bez tereta dok ulje ne počne djelovati.

NAPOMENA: Prilikom prvog punjenja lančane pile uljem ili nadolijevanja ulja u spremnik nakon što se potpuno ispraznio, uljite ulje do donjeg ruba nastavka za punjenje. Drugačije punjenje može negativno utjecati na opskrbu uljem.

NAPOMENA: Za lance pile upotrebljavajte isključivo ulja za lančane pile Makita ili druga ulja iste kvalitete dostupna na tržištu.

NAPOMENA: Nikad ne koristite ulje s prašinom ili česticama ili hlapljivo ulje.

NAPOMENA: Za podrezivanje stabala koristite biljno ulje. Mineralno ulje može naštetiti stablima.

NAPOMENA: Prije rezanja provjerite je li isporučeni poklopac spremnika ulja čvrsto zavijen na mjestu.

Lanac pile automatski se podmazuje kada se radi s alatom. Provjerite razinu preostalog ulja u spremniku za ulje kroz kontrolno okno za ulje.

► **SI.22:** 1. Poklopac spremnika ulja 2. Kontrolno okno za ulje

Postupak punjenja ulja je sljedeći:

1. Temeljito očistite područje oko poklopca spremnika za ulje kako u njega ne bi ušla prljavština.
 2. Položite lančanu pilu na stranu.
 3. Pritisnite gumb na poklopcu spremnika ulja tako da se gumb na suprotnoj strani ispravi i zatim okretanjem skinite poklopac spremnika ulja.
- **SI.23:** 1. Poklopac spremnika ulja 2. Zatezanje 3. Opuštanje
4. Napunite spremnik ulja uljem. Ispravna količina ulja je 260 ml.
 5. Vratite poklopac spremnika ulja i čvrsto ga zategnite.
 6. Pažljivo obrišite proliveno ulje.

NAPOMENA: Ako je teško skinuti poklopac spremnika ulja, umetnite okasti ključ u utor na poklopcu spremnika ulja i zatim ga skinite okrećući ga u smjeru suprotnom od smjera kazaljke na satu.

► **SI.24:** 1. Utor 2. Okasti ključ

Nakon nadolijevanja ulja lančanu pilu držite dalje od stabla. Pokrenite je i pričekajte dok lanac pile ne bude dovoljno podmazan.

► **SI.25**

Rad s lančanom pilom

⚠OPREZ: Korisnici početnici trebali bi, kako bi se uvježbali, rezati debla na jarcu ili stalku za piljenje.

⚠OPREZ: Tijekom piljenja prethodno narezanog trupca koristite siguran oslonac (jarac ili stalak za piljenje). Nemojte pridržavati izradak nogom i ne dajte nikome drugome da ga drži ili pridržava.

⚠OPREZ: Osigurajte okrugle dijelove da se ne bi okretali.

⚠OPREZ: Držite sve dijelove tijela dalje od lanca pile tijekom rada motora.

⚠OPREZ: Tijekom rada motora lančanu pilu čvrsto držite objema rukama.

⚠OPREZ: Ne približavajte se previše. U svakom trenutku imajte odgovarajući oslonac i održavajte ravnotežu.

NAPOMENA: Ne bacajte i ne ispuštajte alat.

NAPOMENA: Ne prekrivajte ventilacijske otvore na alatu.

Donji dio kućišta lančane pile prije uključivanja pile spustite u doticaj s granom koju želite rezati. U protivnom vodilica može zaplesati, što može dovesti do ozljede rukovatelja. Zapilite drvo koje želite izrezati pomičući ga prema dolje pod težinom lančane pile.

► **SI.26**

Ako trupac ne možete prerezati u jednom potezu: lagano pritisnite ručku i nastavite piliti, pa lančanu pilu malo pomaknite unatrag i malo približite šiljak te završite rez podizanjem ručke.

► **SI.27**

Piljenje klada

1. Donji dio kućišta lančane pile spustite na drvo koje želite rezati.

► **SI.28**

2. Dok je lanac pile pokrenut, zarezite drvo koristeći stražnju ručku za podizanje pile i prednju za njezino navođenje. Upotrijebite šiljasti odbojnik kao uporišnu točku.

3. Nastavite rezati tako da lagano pritišćete prednju ručku i malo opustite pilu prema natrag. Pomaknite šiljasti odbojnik niže niz deblu i opet podignite prednju ručku.

NAPOMENA: Ako izvodite više rezova, isključite lančanu pilu između rezova.

⚠OPREZ: Ako se gornji rub vodilice koristi za rezanje, lančana se pila može odbiti u vašem smjeru ako se zaglavi lanac. Stoga režite donjim rubom kako bi se pila odbila u smjeru suprotnom od vašega.

► **SI.29**

Drvo pod pritiskom prvo zarezite na strani pritiska (A). Zatim izvedite završni rez na strani pritiska (B). Tako se neće zaglaviti vodilica.

► **SI.30**

Piljenje grana s klade

⚠OPREZ: Grane s klade smiju uklanjati samo osobe koje su za to obučene. Postoji opasnost od povratnog udara.

Kada uklanjate grane s klade, oslonite lančanu pilu na deblu ako možete. Ne režite vrhom vodilice jer postoji opasnost od povratnog udara. Posebnu pozornost obratite na grane pod pritiskom. Grane bez oslonca ne režite odozdo. Nemojte stajati na položenom deblu prilikom uklanjanja grana s klade.

Dubinsko i uzdužno rezanje

⚠OPREZ: Dubinsko i uzdužno rezanje smiju obavljati samo posebno obučene osobe. Zbog mogućnosti povratnog udara može doći do ozljeda.

Kada režete uzdužno, neka vam rez bude pod što oštrijim kutom. Budite posebno oprezni prilikom rezanja jer upotreba šiljastog odbojnika nije moguća.

► SI.31

Sječa

⚠OPREZ: Stabla smiju sjeći samo osobe koje su za to obučene. Radovi su opasni.

Ako želite posjeći stablo, pridržavajte se lokalnih propisa.

► SI.32: 1. Područje sječenja

- Prije nego što počnete sjeći, provjerite sljedeće:
 - da se u blizini nalaze samo osobe koje sudjeluju u sjeći;
 - da je svim osobama koje sudjeluju dostupan put za uzmak bez prepreka i na rasponu od otprilike 45° sa svake strane osi sječenja. Uzmite u obzir i dodatnu opasnost od spoticanja preko električnih kabela;
 - da u podnožju debla nema stranih predmeta, korijena i grana;
 - da nema osoba ni predmeta na udaljenosti od 2 1/2 duljine drveta u smjeru u kojem će drvo pasti.
 - Uzmite u obzir sljedeće osobine svakog drveta:
 - smjer nagibanja;
 - labave ili suhe grane;
 - visinu drveta;
 - prirodni prevjes;
 - trulost drveta.
 - Uzmite u obzir brzinu i smjer kretanja vjetra. Ne sječite ako vjetar puše u snažnim naletima.
 - Obrezivanje zadebljanog korijenja: Započnite s najvećim zadebljanjem. Prvo izvršite okomiti, a zatim vodoravni rez.
 - Stanite pored drva koje će pasti. Oslobodite područje sa stražnje strane drveta koje će pasti do kuta od 45° sa svake strane osi drveta (pogledajte sliku „područje sječe“). Obratite pozornost na padajuće grane.
 - Ispanirajte put bijega i raščistite ga ako je potrebno prije rezanja. Put bijega treba se dijagonalno protezati prema stražnjem dijelu očekivane linije pada kao što je prikazano na slici.
- SI.33: 1. Smjera padanja 2. Opasno područje 3. Ruta za bijeg

Prilikom rušenja drveća pridržavajte se sljedećeg:

1. Urežite zasjek što bliže tlu. Prvo izvršite vodoravni rez do dubine 1/5 – 1/3 promjera debla. Zasjek ne smije biti prevelik. Zatim izvršite vodoravni rez.
► SI.34

NAPOMENA: Zasjek određuje smjer u kojem će drvo pasti i navodi ga. Urežite ga sa strane prema kojoj će drvo pasti.

2. Stražnji rez treba biti malo viši od temeljnog reza zasjeka. Stražnji rez mora biti potpuno vodoravan. Ostavite otprilike 1/10 promjera debla između stražnjeg reza i zasjeka. Drvena vlakna u nerezanom dijelu debla služe kao šarke. Na vrijeme umetnite klinove u stražnji rez.
► SI.35

⚠UPOZORENJE: Ni u kojem slučaju ne režite kroz vlakna. U protivnom će drvo pasti bez kontrole.

NAPOMENA: Stražnji rez smije se držati otvorenim samo pomoću plastičnih ili aluminijskih klinova. Zabranjena je upotreba željeznih klinova.

Alat za nošenje

Prije nošenja alata uključite kočnicu lanca i uklonite baterijski uložak iz alata. Zatim pričvrstite poklopac vodilice. Poklopcem baterije prekrijte i baterijski uložak.

► SI.36: 1. Poklopac vodilice 2. Poklopac baterije

ODRŽAVANJE

⚠OPREZ: Prije svih zahvata na stroju provjerite jeste li isključili stroj i uklonili bateriju.

⚠OPREZ: Uvijek nosite rukavice kada obavljate preglede ili održavanje.

NAPOMENA: Nikada nemojte koristiti benzin, mješavinu benzina, razrjeđivač, alkohol ili slično. Kao rezultat toga može se izgubiti boja, pojaviti deformacija ili pukotine.

Da biste zadržali SIGURNOST I POUZDANOST proizvoda, održavanje ili namještanja trebali biste prepustiti ovlaštenim servisnim ili tvorničkim centrima tvrtke Makita; uvijek rabite originalne rezervne dijelove.

Oštrenje lanca pile

Lanac pile oštrite u sljedećim situacijama:

- ako se prilikom rezanja vlažnog drveta stvara brašnasta piljevina;
- ako se lanac teško probija kroz drvo, čak i ako primijenite velik pritisak;
- kada je rezna oštrica vidljivo oštećena;
- pila u drvetu vuče nalijevo ili nadesno (uzrok je nejednoliko naoštren lanac pile ili oštećenje samo s jedne strane).

Redovno oštrite lanac pile, ali svaki put pomalo. Dva ili tri poteza brusom obično su dovoljna za redovno oštrenje. Nakon što nekoliko puta naoštrite lanac pile, odnesite ga na oštrenje u ovlaštenu servisnu centar.

Kriteriji oštrenja:

⚠ UPOZORENJE: Prevelika udaljenost između reznog ruba i graničnika dubine povećava opasnost od povratnog udara.

► **SI.37:** 1. Duljina rezača 2. Udaljenost između reznog ruba i graničnika dubine 3. Minimalna duljina rezača (3 mm)

- Svi rezači moraju biti iste duljine. Rezači različitih duljina onemogućavaju glatki rad lanca i mogu prouzročiti njegovo pucanje.
- Ne oštrite lanac kada duljina rezača dosegne 3 mm ili manje. Lanac se mora zamijeniti novim.
- Veličina čestica piljevine ovisi o udaljenosti između graničnika dubine (okrugli nos) i reznog ruba.
- Najbolji rezultati rezanja postižu se pri sljedećim udaljenostima između reznog ruba i graničnika dubine.
 - Oštrica lanca 91PX: 0,65 mm
 - Oštrica lanca 80TXL: 0,65 mm

► **SI.38**

- Kut oštrenja mora biti jednak na svim rezačima i iznositi 30°. Različiti kutovi rezača mogu prouzročiti grub i nejednak rad ili lom lanca te ubrzati trošenje.
- Upotrebljavajte odgovarajući zaobljeni brus za pravilno brušenje kutova na zupcima.
 - Oštrica lanca 91PX: 55°
 - Oštrica lanca 80TXL: 55°

Brus i navođenje brusa

- Za oštrenje lanca pile upotrebljavajte poseban zaobljeni brus (dodatni pribor). Za brušenje nisu prikladni obični brusovi.
- Promjer zaobljenog brusa za svaki od navedenih lanaca pile je sljedeći:
 - Oštrica lanca 91PX: 4,0 mm
 - Oštrica lanca 80TXL: 4,0 mm
- Brus mora doći u doticaj s rezačem samo prilikom kretanja prema naprijed. Prilikom kretanja prema natrag brus malo podignite s rezača.
- Prvo naoštrite najkraći rezač. Nakon toga, duljina najkraćeg rezača postaje mjerilo za sve druge rezače koji se nalaze na tom lancu pile.
- Brusom radite kako je prikazano na slici.

► **SI.39:** 1. Brus 2. Lanac pile

- Brusom se lakše upravlja ako koristite držač brusa (dodatni pribor). Držač brusa ima oznake za ispravni kut oštrenja od 30° (poravnajte oznake s lancem pile) i ograničenu dubinu prodiranja (do 4/5 promjera brusa).

► **SI.40:** 1. Držač brusa

- Nakon što naoštrite lanac, provjerite visinu graničnika dubine pomoću alata za mjerenje dubine lanca (dodatni pribor).

► **SI.41**

- Uklonite sav stršeći materijal, bez obzira na njegovu veličinu, posebnim ravnim brusom (dodatni pribor).
- Opet zaoblite prednji dio graničnika dubine.

Čišćenje vodilice

Iverje i piljevina nakupljaju se u utorima vodilice. Oni mogu začepiti utor vodilice i onemogućiti protok ulja. Izvadite iverje i piljevinu prilikom oštrenja ili zamjene lanca pile.

► **SI.42**

Čišćenje poklopca lančanika

Iverje i piljevina nakupljaju se u poklopcu lančanika. Uklonite poklopac lančanika i lanac pile s alata pa očistite iverje i piljevinu.

► **SI.43**

Čišćenje otvora za ispuštanje ulja

Prašina ili čestice mogu se nakupiti u otvoru za ispuštanje ulja tijekom rada. Ta prašina i čestice mogu onemogućiti protok ulja i prouzročiti nedovoljno podmazivanje cijelog lanca pile. Ako se opskrba ulja lanca smanji na vrhu vodilice, ispustite ulje kroz otvore za ispuštanje na dolje opisan način.

1. Uklonite poklopac lančanika i lanac pile s alata.
2. Uklonite sitnu prašinu ili čestice ravnim odvijačem ili nečim sličnim.

► **SI.44:** 1. Ravnim odvijač 2. Otvor za ispuštanje ulja

3. Umetnite baterijski uložak u alat. Povucite uključno-isključnu sklopku kako bi nakupljena prašina ili čestice izašle prilikom ispuštanja ulja za lanac.

4. Uklonite baterijski uložak iz alata. Ponovno postavite poklopac lančanika i lanac pile na alat.

Zamjena lančanika

⚠ OPREZ: Istrošeni lančanik oštetit će novi lanac pile. U tom slučaju zamijenite lančanik.

Prije ugradnje novog lanca na pilu provjerite stanje lančanika.

► **SI.45:** 1. Lančanik 2. Područja koja se troše

Prilikom zamjene lančanika uvijek ugradite novi zaporni prsten.

► **SI.46:** 1. Zaporni prsten 2. Lančanik

NAPOMENA: Provjerite je li lančanik postavljen kao što je prikazano na slici.

Spremanje alata

1. Očistite alat prije spremanja. Uklonite iverje i piljevinu iz alata nakon uklanjanja poklopca zupčanika.
2. Nakon čišćenja alata pokrenite ga bez opterećenja kako bi se podmazali lanac pile i vodilica.
3. Prekrijte vodilicu poklopcem vodilice.
4. Ispraznite spremnik ulja.

Upute za redovito održavanje

Da biste osigurali dugi vijek trajanja, spriječili oštećenja i osigurali punu funkcionalnost sigurnosnih značajki, morate redovito izvršavati sljedeće zahvate održavanja. Jamstvo je važeće samo ako se opisani radovi obavljaju redovito i savjesno. Neizvršavanje redovitog održavanja može dovesti do nezgoda! Korisnik lančane pile ne smije obavljati zahvate održavanja koji nisu opisani u priručniku s uputama. Svi takvi zahvati moraju se obaviti u ovlaštenom servisnom centru.

Provjera stavke/vrijeme rada		Prije rada	Svakog dana	Svaki tjedan	Svaka 3 mjeseca	Jednom godišnje	Prije pohrane
Lančana pila	Pregled.	✓	-	-	-	-	-
	Čišćenje.	-	✓	-	-	-	-
	Provjerite u ovlaštenom servisnom centru.	-	-	-	-	✓	✓
Lanac pile	Pregled.	✓	-	-	-	-	-
	Oštrenje prema potrebi.	-	-	-	-	-	✓
Vodilica	Pregled.	✓	✓	-	-	-	-
	Uklonite s lančane pile.	-	-	-	-	-	✓
Kočnica lanca	Provjerite ispravnost.	✓	-	-	-	-	-
	Redovno nosite na pregled u ovlaštenom servisnom centru.	-	-	-	✓	-	-
Podmazivanje lanca	Provjerite brzinu protoka ulja.	✓	-	-	-	-	-
Uključno-isključna sklopka	Pregled.	✓	-	-	-	-	-
Ručica za blokadu	Pregled.	✓	-	-	-	-	-
Poklopac spremnika ulja	Provjerite nepropusnost.	✓	-	-	-	-	-
Hvatač lanca	Pregled.	-	-	✓	-	-	-
Vijci i matice	Pregled.	-	-	✓	-	-	-

RJEŠAVANJE PROBLEMA

Prije nego zatražite popravak, sami pregledajte stroj. Ako pronađete problem za koji ne postoji objašnjenje u uputama, nemojte pokušavati rastaviti alat. Umjesto toga obratite se ovlaštenom servisnom centru tvrtke Makita koji za popravke uvijek koristi zamjenske dijelove tvrtke Makita.

Status kvara	Uzrok	Radnja
Lančana pila se ne pokreće.	Uložak baterije nije postavljen.	Umetnite napunjen baterijski uložak.
	Problem s baterijom (nizak napon).	Ponovno napunite baterijski uložak. Ako ponovno punjenje nema učinka, zamijenite baterijski uložak.
	Glavni prekidač napajanja je isključen.	Lančana se pila automatski isključuje nakon što se njome ne rukuje određeno vremensko razdoblje. Ponovno uključite glavni prekidač napajanja.
Lančana pila ne radi.	Uključena je kočnica lanca.	Otpustite kočnicu lanca.
Motor prestaje raditi nakon kratke upotrebe.	Razina napunjenosti baterije je niska.	Ponovno napunite baterijski uložak. Ako ponovno punjenje nema učinka, zamijenite baterijski uložak.
Nema ulja na lancu.	Spremnik ulja je prazan.	Napunite spremnik ulja.
	Utor vodilice ulja je prljav.	Očistite utor.
	Slab dovod ulja.	Prilagodite količinu dovoda ulja pomoću vijka za prilagođavanje.
Lančana pila ne doseže maksimalni broj okretaja u minuti.	Baterija je nepravilno umetnuta.	Postavite baterijski uložak kako je opisano u ovom priručniku.
	Snaga baterije pada.	Ponovno napunite bateriju. Ako ponovno punjenje nema učinka, zamijenite baterijski uložak.
	Pogonski sustav ne radi ispravno.	Za popravak se obratite ovlaštenom servisnom centru u svojoj regiji.
Žaruljica napajanja treperi zeleno.	Uključno-isključna sklopka povučena je u uvjetima koji nisu prihvatljivi za rad.	Povucite uključno-isključnu sklopku nakon uključivanja glavnog prekidača napajanja i otpuštanja kočnice lanca.
Lanac se ne zaustavlja čak ni nakon uključivanja kočnice lanca: Odmah zaustavite alat!	Traka kočnice je istrošena.	Za popravak se obratite ovlaštenom servisnom centru u svojoj regiji.
Neuobičajene vibracije: Odmah zaustavite alat!	Otpustite vodilicu ili lanac pile.	Prilagodite napetost vodilice i lanca pile.
	Alat je neispravan.	Za popravak se obratite ovlaštenom servisnom centru u svojoj regiji.
Lanac pile ne može se ugraditi.	Kombinacija lanca pile i lančanika nije ispravna.	ispravnu kombinaciju lanca pile i lančanika potražite u dijelu sa specifikacijama.

DODATNI PRIBOR

⚠OPREZ: Ovaj dodatni pribor ili priključci preporučuju se samo za upotrebu s alatom Makita navedenim u ovom priručniku. Upotreba bilo kojeg drugog dodatnog pribora ili priključaka može prouzročiti ozljede. Upotrebjavajte dodatni pribor ili priključak samo za njegovu navedenu svrhu.

Ako vam je potrebna pomoć za više detalja u pogledu ovih dodatnih pribora, obratite se najbližem Makita servisnom centru.

- Lanac pile
- Vodilica
- Poklopac vodilice
- Brus
- Torba za alat
- Originalna baterija i punjač Makita

⚠UPOZORENJE: Ako kupite vodilicu drugačije duljine od standardne vodilice, kupite i odgovarajući poklopac vodilice. Mora odgovarati i potpuno prekrivati vodilicu na lančanoj pili.

NAPOMENA: Neke stavke iz popisa se mogu isporučiti zajedno sa strojem kao standardni dodatni pribori. Oni mogu biti različiti ovisno o zemlji.

СПЕЦИФИКАЦИИ

Модел:		UC014G	UC015G	UC016G	UC017G
Вкупна должина (без насочувачка шипка)		445 мм			
Номинален напон		D.C. 36 V - 40 V максимално			
Нето тежина	*1	4,5 кг			
	*2	6,2 - 6,9 кг			
Должина на стандардната насочувачка шипка		300 мм	350 мм	400 мм	450 мм
Препорачана должина на насочувачката шипка		300 - 450 мм			
Применлив тип синџир на пилата (погледнете во табелата подолу)		91PX 80TXL			
Свездест лагер (91PX)	Број на запци	6			
	Запченик	3/8"			
Свездест лагер (80TXL)	Број на запци	7			
	Запченик	0,325"			
Брзина на синџирот		0 - 25,5 м/с (0 - 1.530 м/мин.)			
Волумен на резервоарот за масло на синџирот		260 см ³			
Степен на заштита		IPX4			

• Поради нашата континуирана програма за истражување и развој, спецификациите тука подлежат на промена без најава.

• Спецификациите може да се разликуваат од држава до држава.

*1: Тежина без синџир на пилата, насочувачка шипка, капак на насочувачката шипка, масло и касети за батериите.

*2: Најлесната и најтешката комбинација на тежина, согласно процедурата на ЕРТА 01/2014. Тежината може да се разликува во зависност од додатоците, вклучувајќи ги и касетите за батериите.

Синџир на пилата, насочувачка шипка и комбинација на запченици

Тип синџир на пилата		91PX			
Број на погонски врски		46	52	56	62
Насочувачка шипка	Должина на насочувачката шипка	300 мм	350 мм	400 мм	450 мм
	Должина на сечење	268 мм	324 мм	361 мм	418 мм
	Запченик	3/8"			
	Мерач	1,3 мм			
	Тип	Шипка на врвот на свездестиот лагер			
Запченик	Број на запци	6			
	Расстојание помеѓу запци	3/8"			

Тип синџир на пилата		80TXL			
Број на погонски врски		51	59	64	70
Насочувачка шипка	Должина на насочувачката шипка	300 мм	350 мм	400 мм	450 мм
	Должина на сечење	259 мм	325 мм	366 мм	416 мм
	Запченик	0,325"			
	Мерач	1,1 мм			
	Тип	Шипка на врвот на свездестиот лагер			
Запченик	Број на запци	7			
	Расстојание помеѓу запци	0,325"			

▲ПРЕДУПРЕДУВАЊЕ: Користете соодветна комбинација од насочувачка шипка и синџир на пилата. Во спротивно, може да се повредите.

Применлива касета за батерија и полнач

Касета за батерија	BL4040 / BL4050F* *: Препорачана батерија
Полнач	DC40RA / DC40RB / DC40RC

- Некои од касетите за батерии и полначите наведени погоре може да не се достапни зависно од регионот во кој живеете.

▲ ПРЕДУПРЕДУВАЊЕ: Користете ги само касетите за батерии и полначите наведени погоре. Користењето какви било поинакви касети за батерии и полначи може да создаде ризик од повреда и/или пожар.









Препорачан извор на енергија поврзан со кабел

Пренослив пакет за напојување	PDC01
-------------------------------	-------

- Изворите на енергија поврзани со кабел наведени погоре може да не се достапни зависно од регионот во кој живеете.
- Пред користење на изворот на енергија поврзан со кабел, прочитајте ги упатствата и ознаките за внимание на нив.

Симболи

Долунаведените ги прикажуваат симболите што може да се користат кај опремата. Пред употребата, проверете дали го разбирате нивното значење.

	Прочитајте го упатството за користење.
	Носете безбедносни очила.
	Носете заштита за ушите.
	Носете шлем, заштитни очила и заштита за уши.
	Максимална дозволена должина на сечење
	Секогаш користете ги двете раце кога работите со моторната пила.
	Внимавајте на повратниот удар од моторната пила и одбегнувајте контакт со врвот на шипката.
	Правец на движење на синџирот
	Нагодување на маслото за синџирот на пилата



Само за земјите на ЕУ
Поради присуство на опасни компоненти во опремата, отпадната електрична и електронска опрема, акумулаторите и батериите може да влијаат негативно врз животната средина и човековото здравје.

Не фрлајте ги електричните и електронските апарати или батериите во домашниот отпад!

Во согласност со Европската директива за фрлање електрична и електронска опрема, акумулатори, батерии и отпадни акумулатори и батерии, како и нивната адаптација во државниот закон, отпадната електрична опрема, батериите и акумулаторите треба да се чуваат одделно и да се достават на посебно место за собирање општински отпад, во согласност со прописите за заштита на животната средина.

Ова е означено со симболот на прекрцната корпа за отпадоци ставен на опремата.



Гарантирано ниво на јачина на звукот во согласност со Директивата на ЕУ за бучава на отворено.



Ниво на јачина на звукот во согласност со Регулативата за контрола на бучава во Австралија, Нов Јужен Велс

Наменета употреба

Оваа моторна пила е наменета за пилење дрва.

Бучава

Типична А-вредност за ниво на бучавата одредена во согласност со EN62841-4-1:

Модел UC014G

Ниво на звучниот притисок (L_{pA}): 91 dB (A)

Ниво на јачина на звукот (L_{WA}): 102 dB (A)

Отстапување (K): 3 dB (A)

Модел UC015G

Ниво на звучниот притисок (L_{pA}): 91 dB (A)

Ниво на јачина на звукот (L_{WA}): 102 dB (A)

Отстапување (K): 3 dB (A)

Модел UC016G

Ниво на звучниот притисок (L_{pA}) : 91 dB (A)

Ниво на јачина на звукот (L_{WA}) : 102 dB (A)

Отстапување (K): 3 dB (A)

Модел UC017G

Ниво на звучниот притисок (L_{pA}) : 91 dB (A)

Ниво на јачина на звукот (L_{WA}) : 102 dB (A)

Отстапување (K): 3 dB (A)

НАПОМЕНА: Номиналната вредност(и) за емисија на бучава е измерена во согласност со стандардни методи за испитување и може да се користи за споредување алати.

НАПОМЕНА: Номиналната вредност(и) за емисија на бучава може да се користи и како прелиминарна процена за изложеност.

▲ ПРЕДУПРЕДУВАЊЕ: Носете заштита за ушите.

▲ ПРЕДУПРЕДУВАЊЕ: Емисијата на бучава при фактичкото користење на алатот може да се разликува од номиналната вредност(и), зависно од начинот на којшто се користи алатот, особено од тоа како вид работен материјал се обработува.

▲ ПРЕДУПРЕДУВАЊЕ: Погрижете се да ги утврдите безбедносните мерки за заштита на лицето кое ракува со алатот врз основа на процена на изложеноста при фактичките услови на употреба (земајќи ги предвид сите делови на работниот циклус, како периодите кога електричниот алат е исклучен и кога работи во празен од, не само кога е активен).

Вибрации

Вкупна вредност на вибрациите (векторска сума на три оски) одредена во согласност со EN62841-4-1:

Модел UC014G

Работен режим: сечење дрво

Ширење вибрации ($a_{h,w}$) : 5,0 m/c²

Отстапување (K): 1,5 m/c²

Модел UC015G

Работен режим: сечење дрво

Ширење вибрации ($a_{h,w}$) : 5,0 m/c²

Отстапување (K): 1,5 m/c²

Модел UC016G

Работен режим: сечење дрво

Ширење вибрации ($a_{h,w}$) : 5,0 m/c²

Отстапување (K): 1,5 m/c²

Модел UC017G

Работен режим: сечење дрво

Ширење вибрации ($a_{h,w}$) : 5,0 m/c²

Отстапување (K): 1,5 m/c²

НАПОМЕНА: Вкупната вредност(и) на номиналната јачина на вибрациите е измерена во согласност со стандардни методи за испитување и може да се користи за споредување алати.

НАПОМЕНА: Вкупната вредност(и) на номиналната јачина на вибрациите може да се користи и како прелиминарна процена за изложеност.

▲ ПРЕДУПРЕДУВАЊЕ: Јачината на вибрациите при фактичкото користење на алатот може да се разликува од номиналната вредност(и), зависно од начинот на којшто се користи алатот, особено од тоа како вид работен материјал се обработува.

▲ ПРЕДУПРЕДУВАЊЕ: Погрижете се да ги утврдите безбедносните мерки за заштита на лицето кое ракува со алатот врз основа на процена на изложеноста при фактичките услови на употреба (земајќи ги предвид сите делови на работниот циклус, како периодите кога електричниот алат е исклучен и кога работи во празен од, не само кога е активен).

Декларација за сообразност од ЕУ

Само за земјите во Европа

Декларацијата за сообразност од ЕУ е вклучена во Додаток А од упатствата за корисникот.

БЕЗБЕДНОСНИ ПРЕДУПРЕДУВАЊА

Општи упатства за безбедност за електричните алати

▲ ПРЕДУПРЕДУВАЊЕ: Прочитајте ги сите безбедносни предупредувања, упатства, илустрации и спецификации дадени со електричниот алат. Ако не се почитуваат сите упатства наведени подолу, може да дојде до струен удар, пожар и/или сериозни повреди.

Чувајте ги сите предупредувања и упатства за да може повторно да ги прочитате.

Под терминот „електричен алат“ во предупредувањата се мисли на вашиот електричен алат кој работи на струја (со кабел) или на батерии (безжично).

Општи безбедносни предупредувања за моторната пила

- 1. Чувајте ги сите делови на телото подалеку од моторната пила кога таа е вклучена. Пред да ја вклучите моторната пила, уверете се дека синцирот на пилата не допира ништо. Миг на невнимателност додека работите со моторна пила може да предизвика да дојде до заглавување на вашата облека или на дел од телото во синцирот на моторната пила.**
- 2. Секогаш држете ја моторната пила со десната рака на задната рачка и левата рака на предната рачка. Ако ја држите моторната пила обратно, се зголемува ризикот од телесна повреда, затоа никогаш не треба така да постапувате.**

3. **Држете ја моторната пила алатот само за изолираните држачи затоа што синџирот на пилата може да дојде во допир со скриени жици.** Синџирите на пилата што ќе допрат „жива“ жица може да ги направат „живи“ изложените метални делови на моторната пила и да предизвикаат струен удар на операторот.
 4. **Носете заштитни очила. Се препорачува заштитна опрема за ушите, главата, носете и стапалата.** Соодветната заштитна опрема може да ги намали телесните повреди од разлетаниот отпад или случајниот контакт со синџирот на пилата.
 5. **Не работете со моторната пила качени на дрво, на скала, од покрив или каква било нестабилна потпора.** Работењето со моторна пила на овој начин може да резултира со тешка телесна повреда.
 6. **Секогаш заземајте правилна положба и ракувајте со моторната пила само кога стоите на фиксирана, безбедна, израмнета површина.** Лизгавите или нестабилни површини може да доведат до губење на рамнотежата или контролата врз моторната пила.
 7. **Кога сечете гранка што е под тензија, бидете подготвени дека може да пружината може се врати.** Кога ќе се ослободи тензијата во дрвото, еластичната гранка може да го удри операторот и/или да ја исфрли моторната пила од контрола.
 8. **Посебно внимавајте кога сечете грмушки и фиданки.** Тенкиот материјал може да го фати синџирот на пилата и да го повлече кон вас или да ја наруши вашата рамнотежа.
 9. **Носете ја моторната пила држејќи ја за предната рачка. Моторната пила треба да биде исклучена и подалеку од вашето тело.** Кога ја превезувате или складираате моторната пила, секогаш ставете го капакот на насочувачката шипка. Ако правилно ракувате со моторната пила, ќе се намали можноста случајно да дојдете во контакт со подвижниот синџир на пилата.
 10. **Следете ги упатствата за подмачкување, затегнување на синџирот и за менување на шипката и синџирот.** Ако синџирот е неправилно затегнат или подмачкан, може да се скрши или да ги зголеми шансите да се појави повратен удар.
 11. **Сечете само дрво. Не користете ја моторната пила за цели за кои не е наменета. На пример: не користете ја моторната пила за сечење метал, пластика, ѕидарски материјали или градежни материјали што не се дрвени.** Ако ја користите моторната пила за работи за кои таа не е наменета, може да се доведете во опасна ситуација.
 12. **Не обидувајте се да отсечете дрво додека не ги разберете опасностите и како да ги избегнете.** При отсекување на дрвото може да дојде до сериозна повреда на операторот или минувачите.
13. **Причини за повратниот удар и мерки на претпазливост што може да ги преземе операторот:**

До повратен удар може да дојде кога насочувачката шипка ќе допре објект или кога дрвото ќе се затвори и ќе се заглави синџирот на моторот во пресекоот.

Во некои случаи, контактот со врвот може да предизвика ненадејна обратна реакција при што насочувачката шипка се измествува нагоре и оди назад кон лицето кое ракува со електричниот алат. Ако синџирот на пилата се заглави на врвот на шипката за насочување, таа може нагло да се придвижи кон лицето што ракува со електричниот алат.

Секоја од овие реакции може да предизвика да изгубите контрола над пилата, при што може да дојде до посериозни физички повреди. Не потпирајте се само на безбедносните уреди вградени во пилата. Како корисник на моторната пила, треба да преземете неколку чекори за да не дојде до повреда или да се повредите кога сечете.

Повратниот удар е резултат од неправилна употреба на моторната пила и/или неправилни работни постапки и услови и може да се избегне со преземање соодветни мерки на претпазливост, како што е наведено подолу:

 - **Цврсто држете го електричниот алат, со палците и прстите околу рачките на моторната пила, со двете раце на пилата и поставете ги вашето тело и рака, така што ќе можете да ги задржите повратните импулси.** Лицето што ракува со електричниот алат може да ги контролира повратните импулси, ако се преземат соодветни мерки на претпазливост. Не испуштајте ја моторната пила.
 - **Сл.1**
 - **Немојте да досегате и да сечете над висина на рамената.** Така ќе спречите ненамерно допирање на врвот и ќе имате подобра контрола над моторната пила во неочекувани ситуации.
 - **Користете само резервни насочувачки шипки и синџири на пилата што ги препорачува производителот.** Несоодветните резервни насочувачки шипки и синџири на пилата може да предизвикаат кршење на синџирот и/или повратен удар.
 - **Следете ги упатствата на производителот за острење и за одржување на моторната пила.** Ако дојде до намалување на висината на мерачот на длабочина, може да се појави поголем повратен удар.
 14. **Следете ги сите упатства при чистење на заглавен материјал, складирање или сервисирање на моторната пила. Осигурете се дека приклучокот е исклучен и дека батериите се извадени.** Неочекуваното активирање на моторната пила при чистење на заглавен материјал или сервисирање може да резултира во сериозна телесна повреда.

Дополнителни безбедносни упатства

Лична заштитна опрема

1. Облеката треба да е тесна, но сепак да овозможува комотно движење.
2. Носете ја наведената заштитна облека додека работите:
 - Тестиран безбедносен шлем, ако постои опасност да паѓаат гранки или слично;
 - Маска за лице или заштитни очила;
 - Соодветна заштита за уши (штитници за уши, чепови за уши по мерка или приспособливи). По барање, да се направи анализа на октавите за видот.
 - Ракавици од цврста кожа;
 - Долги панталони произведени од цврст материјал;
 - Заштитни работнички панталони и платно отпорно на сечење;
 - Заштитни чевли или чизми со фом, челична предница и облога од патно отпорно на сечење;
 - Маска за дишење, кога при работата се создава прав (на пример, сечење на суво дрво).

Работење

1. **Пред да почнете да работите, проверете дали моторната пила е во соодветна работна состојба и дека нејзината состојба е во согласност со безбедносните регулативи. Особено проверете дали:**
 - сопирачката на синџирот работи правилно;
 - сопирачката за намалување работи правилно;
 - шипката и преградата на свездестиот лагер се правилно наместени;
 - синџирот е наострен и затегнат во согласност со регулативите.
2. **Не стартувајте ја моторната пила со капакот на синџирот поставен на него.** Ако се стартува моторната пила со капакот на синџирот поставен на него, тој може да биде отфрлен нанапред и да резултира со телесна повреда и оштетување на предметите околу операторот.
3. **Кога го користите алатот на каллива земја, влажна стрмина или лизгави места, внимавајте како газите.**
4. **Не потопувајте го алатот во вирови.**
5. **Не оставајте го алатот незаштитен надвор на дожд.**

Безбедност на електричните делови и батеријата

1. **Избегнувајте опасни средини. Не користете го алатот на влажни места и не изложувајте го на дожд.** Ако навлезе вода во алатот, тоа може да го зголеми ризикот од струен удар.
2. **Не фрлајте ги батериите во оган.** Келијата може да експлодира. Проверете ги локалните прописи за можни упатства за специјален отпад.

3. **Не отворајте ги и не уништувајте ги батериите.** Електролитот што се ослободува е корозивен и може да предизвика оштетување на очите или кожата. Може да е токсичен ако се голтне.
4. **Не полнете ја батеријата на дожд или на влажни места.**
5. **Не полнете ја батеријата надвор.**
6. **Не држете го полначот, вклучувајќи го и приклучокот за полначот и терминалите на полначот со влажни раце.**
7. **Не заменувајте ја батеријата на дожд.**
8. **Не заменувајте ја батеријата со влажни раце.**
9. **Не оставајте ја батеријата на дожд и немојте да ја полните, користите или складирајте батеријата на влажни места.**
10. **Не влажете ги терминалите на батеријата со течности како вода и не потопувајте ја батеријата во вода.** Ако се навлажат терминалите или навлезе течност во батеријата, може да дојде до краток спој на батеријата и тогаш постои ризик од прегревање, пожар или експлозија.
11. **Откако ќе ја отстраните батеријата од машината или полначот, прикачете го капакот на батеријата и складирајте ја на суво место.**
12. **Доколку касетата за батерија се наводени, исцедете ја водата од внатрешноста, а потоа избришете ја со сува крпа. Комплетно исушете ја касетата за батерија на суво место пред употребата.**

Одржување и чување

1. **При складирање на алатот, избегнувајте директна сончева светлина и дожд и складирајте го на ладно и суво место.**

ЧУВАЈТЕ ГО УПАТСТВОТО.

▲ ПРЕДУПРЕДУВАЊЕ: НЕ ДОЗВОЛУВАЈТЕ удобноста или познавањето на производот (стекнати со подолга употреба) да ве наведат да не се придржувате строго до безбедносните правила за овој производ. ЗЛОУПОТРЕБАТА или непочитувањето на безбедносните правила наведени во ова упатство може да предизвикаат тешка телесна повреда.

Важни безбедносни упатства за касетата за батеријата

1. **Пред користење на касетата за батеријата, прочитајте ги сите упатства и ознаки за претпазливост на (1) полначот за батеријата, (2) батеријата и (3) производот што ја користи батеријата.**
2. **Не расклопувајте ја, ниту експериментирајте со касетата за батеријата.** Тоа може да резултира со оган, прекумерна топлина или експлозија.
3. **Ако оперативното времето станало прекумерно кратко, престанете веднаш со работа.** Тоа може да резултира со ризик од прегревање, можни изгореници, па дури и експлозија.

4. Ако електролит навлезе во вашите очи, измијте ги со чиста вода и побарајте медицинска нега веднаш. Тоа може да резултира со губење на вашиот вид.
5. Не предизвикувајте спој на касетата за батеријата.
 - (1) Не допирајте ги контактите со никаков проводлив материјал.
 - (2) Избегнувајте да ја чувате касетата за батерија во сад со други метални предмети како што се шајки, монети и сл.
 - (3) На изложувајте ја касетата за батеријата на вода или дожд.

Краткиот спој на батеријата може да предизвика голем проток на електрична енергија, прегревање, можни изгореници, па дури и пад на напојувањето.
6. Не складирајте и не користете ги алатот и касетата за батеријата на места каде што температурата може да достигне или надминува 50 °C (122 °F).
7. Не палете ја касетата за батеријата дури и кога е многу оштетена или целосно потрошена. Касетата за батеријата може да експлодира ако се стави во оган.
8. Не заковувајте ја, сечете ја, фрлајте ја, испуштајте ја касетата за батерија, ниту удирајте ја од тврд предмет касетата за батеријата. Таквото однесување може да резултира со оган, прекумерна топлина или експлозија.
9. Не користете оштетена батерија.
10. Содржаните батерии со литиумови јони се подложни на условите во Правилата за опасни предмети.

За комерцијален транспорт на пр. од трети лица и посредници, мора да се следат посебните услови на пакувањата или ознаките. При подготовка на предметот кој треба да се испрати, консултирајте се со експерт за опасни материјали. Исто така, следете ги потенцијално подеталните национални правила.

Залепете ги со леплива лента или маскирајте ги отворените контакти, а батеријата спакувајте ја, така што нема да се движи слободно во пакувањето.
11. Кога ја фрлате во отпад касетата за батеријата, извадете ја од алатот и фрлате ја на безбедно место. Почитувајте ги локалните законски прописи што се однесуваат на фрлање во отпад на батеријата.
12. Користете ги батериите само со производителите назначени од Makita. Монтирањето батерии на неусогласените производи може да резултира со пожар, прекумерна топлина, експлозија или истекување на електролитот.
13. Доколку алатот не се користи подолг временски период, батеријата мора да се извади од алатот.
14. Пред и по употребата, касетата за батеријата може да прими топлина што може да предизвика изгореници или изгореници од ниска температура. Внимавајте како ракувате со жешките касети за батерии.
15. Не допирајте го терминалот на алатот непосредно по употребата бидејќи може да се загрее доволно за да предизвика изгореници.
16. Не дозволувајте деланки, прав или земја да се заглават во терминалите, отворите и жлебовите на касетата за батерија. Тоа може да предизвика греене, запалување, пукање и дефект на алатот или касетата за батерија, што ќе резултира со изгореници или телесна повреда.
17. Освен ако алатката не поддржува употреба на електричните далноводи со висок напон во близина, не користете ја касетата за батерија во близина на електричните далноводи со висок напон. Тоа може да резултира со дефект или пад на напојувањето на алатот или касетата за батерија.
18. Држете ја батеријата подалеку од деца.

ЧУВАЈТЕ ГО УПАТСТВОТО.

⚠ВНИМАНИЕ: Користете само оригинални батерии на Makita. Користењето неоригинални батерии на Makita или батерии што се изменети може да резултира со распакување на батеријата, предизвикувајќи пожар, телесна повреда и оштетување. Тоа исто така ќе ја поништи гаранцијата на Makita за алатот и полначот на Makita.

Совети за одржување максимален работен век на батеријата

1. Заменете ја касетата за батеријата пред целосно да се испразни. Секогаш запирајте ја работата со алатот и заменете ја касетата за батеријата кога ќе забележите дека алатот дава помала моќност.
2. Никогаш немојте да полните целосно полна касета за батерија. Прекумерното полнење го скратува работниот век на батеријата.
3. Полнете ја касетата за батеријата на собна температура од 10°C - 40°C. Дозволете загреаната касета за батерија да се олади пред да ја ставите на полнење.
4. Кога не ја користите касетата за батерија, извадете ја алатот или полначот.
5. Полнете ја касетата за батеријата доколку не ја користите подолго време (повеќе од шест месеци).

ОПИС НА ДЕЛОВИТЕ

► Сл.2

1	Касета за батерија	2	Преден штитник за рака	3	Рачка
4	Насочувачка шипка	5	Синџир на пилата	6	Бројчник за нагодување
7	Ламбичка за главно напојување	8	Прекинувач за главно напојување	9	Рачка за блокирање
10	Задна рачка	11	Прекинувач за стартување	12	Предна рачка
13	Капаче на резервоарот за масло	14	Капак на насочувачката шипка	15	Приспособувачка завртка (за пумпата за масло)
16	Мрежа за синџирот	-	-	-	-

ОПИС НА ФУНКЦИИТЕ

▲ ВНИМАНИЕ: Пред секое нагодување или проверка на алатот, проверувајте дали е исклучен и батеријата е извадена.

Монтирање или отстранување на касетата за батеријата

▲ ВНИМАНИЕ: Секогаш исклучувајте го алатот пред ставањето или вадењето на касетата за батеријата.

▲ ВНИМАНИЕ: Држете ги алатот и касетата за батеријата цврсто кога ја монтирате или вадите касетата за батеријата. Ако не ги држите цврсто алатот и касетата за батеријата, тие може да се лизнат од вашите раце и да дојде до нивно оштетување, како и до телесна повреда.

► Сл.3: 1. Црвен индикатор 2. Копче 3. Касета за батерија

За да ја извадите касетата за батеријата, повлечете ја од алатот додека го лизгате копчето на предната страна на касетата.

За монтирање на касетата за батерија, порамнете го јазичето на касетата за батерија со жлебот во кукиштето и лизнете го во место. Вметнете ја докрај додека не се блокира во место при што ќе се слушне звук. Ако можете да го видите црвениот индикатор како што е прикажано на сликата, не е целосно блокирана во место.


▲ ВНИМАНИЕ: Секогаш монтирајте ја касетата за батеријата целосно додека црвениот индикатор не се изгасне. Во спротивно, може ненадејно да испадне од алатот предизвикувајќи ви повреда вам или на некој друг околу вас.

▲ ВНИМАНИЕ: Немојте да ја монтирате касетата за батеријата на сила. Ако касетата не може да се лизне лесно, тоа значи дека не е поставена правилно.

Укажување на преостанатиот капацитет на батеријата

Притиснете го копчето за проверка на касетата за батеријата за укажување на преостанатиот капацитет на батеријата. Индикаторските ламбички светнуваат неколку секунди.

► Сл.4: 1. Индикаторски ламбички 2. Копче за проверка

Индикаторски ламбички			Преостанат капацитет
 Запалено	 Исклучено	 Трепка	
			75% до 100%
			50% до 75%
			25% до 50%
			0% до 25%
			Наполнете ја батеријата.
			Батеријата можеби е неисправна.

НАПОМЕНА: Во зависност од условите на користење и амбиенталната температура, индикацијата може да се разликува во мала мера од реалниот капацитет.

НАПОМЕНА: Првата (најлево) ламбичка на индикаторот ќе трепка кога работи системот за заштита на батеријата.

Систем за заштита на алатот/ батеријата

Алатот е опремен со систем за заштита на алатот/ батеријата. Овој систем автоматски го прекинува напојувањето на моторот за да го продолжи работниот век на алатот и на батеријата. Алатот автоматски ќе се исклучи за време на работењето ако тој или батеријата се најдат под еден од следниве услови:

Заштита од преоптоварување

Кога со батеријата се ракува на начин што предизвикува повлекување нетипично висока струја, алатот автоматски се исклучува и ламбичката за главно напојување трепка зелено. Во таква ситуација, исклучете го алатот и запрете со примената што предизвикала негово преоптоварување. Потоа, повторно вклучете го алатот.

Заштита од прегревање

Кога алатот или батеријата се прегреани, алатот автоматски ќе запре и ламбичката за главно напојување трепка црвено. Во овој случај, оставете ги алатот и батеријата да се оладат пред повторно да го вклучите алатот.

НАПОМЕНА: Во средина со висока температура, веројатно е дека заштитата од прегревање ќе работи и дека алатот автоматски ќе запре.

Заштита од прекумерно празнење

Кога капацитетот на батеријата не е доволен, алатот автоматски ќе запре и ламбичката за главно напојување трепка црвено. Во овој случај, извадете ја батеријата од алатот и наполнете ја.

Заштита од други причини

Системот за заштита исто така е дизајниран за други причини што може да го оштетат алатот и овозможува тој да запре автоматски. Преземете ги сите следни чекори за да ги отстраните причините кога алатот е доведен до привремено запирање или престанување на работата.

1. Исклучете го алатот и потоа повторно вклучете го за да се рестартира.
2. Наполнете ја батеријата(ите) или заменете ја/ ги со наполнета батерија(и).
3. Оставете ги машината и батеријата(ите) да се оладат.

Доколку не дојде до подобрување со враќање на системот за заштита, контактирајте со локалниот сервисен центар на Makita.

ЗАБЕЛЕШКА: Ако алатот сопре поради причина што не е опишана погоре, погледнете го делот за решавање проблеми.

Прекинувач за главно напојување

▲ ПРЕДУПРЕДУВАЊЕ: Секогаш исклучувајте го прекинувачот за главно напојување кога не се користи.

За да го вклучите алатот, притиснете го прекинувачот за главно напојување. Ламбичката за главно напојување светнува зелено. За исклучување, повторно притиснете го прекинувачот за главно напојување.

- **Сл.5:** 1. Ламбичка за главно напојување
2. Прекинувач за главно напојување

НАПОМЕНА: Ламбичката за главно напојување трепка зелено доколку прекинувачот за стартување се повлече во неоперативни услови. Ламбичката трепка под еден од следниве услови.

- Кога ќе го вклучите прекинувачот за главно напојување додека ја држите рачката за одблокирање и прекинувачот за стартување.
- Кога ќе го повлечете прекинувачот за стартување додека се применува сопирачката на синцирот.
- Кога ќе ја ослободите сопирачката на синцирот додека ја држите рачката за одблокирање и го повлекувате прекинувачот за стартување.

НАПОМЕНА: Овој алат има вградена функција за автоматско исклучување. За избегнување на ненамерното стартување, прекинувачот за главно напојување автоматски ќе се исклучи кога прекинувачот за стартување не се повлекува определено време по вклучување на прекинувачот за главно напојување.

Вклучување

▲ ПРЕДУПРЕДУВАЊЕ: За ваша безбедност, овој алат е опремен со рачка за блокирање која спречува алатот да се вклучи ненамерно. НИКОГАШ не користете го алатот ако работи кога едноставно ќе го повлечете прекинувачот без притискање на рачката за блокирање. Вратете го алатот во нашиот овластен сервисен центар за соодветна поправка ПРЕД натамошна употреба.

▲ ПРЕДУПРЕДУВАЊЕ: НИКОГАШ немојте да ја залепувате или да ја оневозможувате функцијата на рачката за блокирање.

▲ ВНИМАНИЕ: Пред да ја ставите батеријата во алатот, проверете го прекинувачот дали функционира правилно и дали се враќа во положбата „OFF“ кога ќе се отпушти.

ЗАБЕЛЕШКА: Немојте силно да го повлекувате прекинувачот без да ја притиснете рачката за блокирање. Тоа може да предизвика дефект на прекинувачот.

За да се спречи случајно повлекување на прекинувачот за стартување, вградена е рачка за одблокирање. За да го стартувате алатот, притиснете ја рачката за одблокирање и повлечете го прекинувачот за стартување. Брзината на алатот се зголемува со зголемување на притисокот врз прекинувачот за стартување. Отпуштете го прекинувачот за стартување за да сопре.

- **Сл.6:** 1. Прекинувач за стартување 2. Рачка за блокирање

Проверување на затегнатоста на синцирот

⚠ВНИМАНИЕ: Држете ја моторната пила со двете раце кога ја вклучувате. Држете ја задната рачка со десната рака, предната рачка со левата рака. Шипката и синцирот не смеат да се во допир со никаков предмет.

⚠ВНИМАНИЕ: Ако синцирот на пилата не сопре веднаш, при правеење на тестот, пилата не смее да се користи под никакви околности. Побарајте помош од нашиот овластен сервисен центар.

1. Притиснете ја рачката за блокирање, а потоа повлечете го прекинувачот. Синцирот на пилата веднаш ќе се стартува.
2. Притискајте го предниот штитник за рака напред со задниот дел од вашата рака. Осигурете се дека моторната пила веднаш запира.
▶ **Сл.7:** 1. Преден штитник за рака 2. Неблокирана положба 3. Блокирана положба

Проверување на сопирачката за намалување

⚠ВНИМАНИЕ: Доколку синцирот на пилата не запре во рок од една секунда во овој тест, престанете да ја користите моторната пила и побарајте помош од нашиот овластен сервисен центар.

Вклучете ја моторната пила, а потоа целосно отпуштете го прекинувачот. Синцирот на пилата мора да сопре за дел од секунда.

Нагодување на подмачкувањето на синцирот

Може да ја нагодите стапката на проток на пумпата за масло со завртката за нагодување. Количината на масло може да се нагоди со помош на универзалниот клуч.

- ▶ **Сл.8:** 1. Нагодувачка завртка

СОСТАВУВАЊЕ

⚠ВНИМАНИЕ: Пред секое дотерување или проверка на алатот, секогаш проверувајте дали е исклучен и батеријата е извадена.

⚠ВНИМАНИЕ: Не допирајте го синцирот на пилата со голи раце. Носете ракавици секогаш кога ракувате со синцирот на пилата.

Монтирање или отстранување на синцирот од пилата

⚠ВНИМАНИЕ: Синцирот на пилата и насочувачката шипка сè уште се жешки по работата. Оставете ги доволно да се оладат пред да продолжите со работење со алатот.

⚠ВНИМАНИЕ: Извршете ја постапката за монтирање или демонтирање на синцирот на пилата на чисто место, без прав и сл.

Монтирање на синцирот на пилата

За да го монтирате синцирот на пилата, извршете ги следниве чекори:

1. Ослободете ја сопирачката на синцирот повлекувајќи го предниот штитник за рака.
2. Повлечете ја рачката нагоре додека го притискате нејзиниот раб.
▶ **Сл.9:** 1. Рачка
3. Вртете ја рачката налево додека не излезе преградата на свездестиот лагер.
▶ **Сл.10:** 1. Рачка 2. Преграда на свездестиот лагер
4. Извадете ја преградата на свездестиот лагер.
5. Проверете ја насоката на синцирот на пилата. Изедначете ја насоката на синцирот на пилата со онаа од ознаката на телото на моторната пила.
▶ **Сл.11:** 1. Ознака на телото на моторната пила
6. Поставете еден крај од синцирот на пилата на горната страна од насочувачката шипка.
7. Поставете го другиот крај од синцирот на пилата околу свездестиот лагер, потоа прикачете ја насочувачката шипка на телото на моторната пила.
▶ **Сл.12:** 1. Свездест лагер
8. Свртете го тркалото за нагодување во насока „-“ за да го лизнете чепчето за нагодување во насока на стрелката.
▶ **Сл.13:** 1. Бројчник за нагодување 2. Чепче за нагодување
9. Поставете ја преградата на свездестиот лагер на моторната пила, така што чепчето за нагодување да е поставен во малото дупче на насочувачката шипка.
▶ **Сл.14:** 1. Преграда на свездестиот лагер 2. Насочувачка шипка 3. Отвор
10. Целосно свртете го лостот надесно и малку наназад за да одржите лабавост за нагодување на затегнатоста на синцирот.
11. Нагодете ја затегнатоста на синцирот. Погледнете го делот за нагодување на затегнатоста на синцирот на пилата за постапка.
12. Свртете ја рачката надесно додека преградата на свездестиот лагер не е обезбедена, а потоа вратете ја во првобитната позиција.
▶ **Сл.15:** 1. Рачка 2. Преграда на свездестиот лагер

Отстранување на синцирот на пилата

За да го извадите синцирот на пилата, извршете ги следниве чекори:

1. Ослободете ја сопирачката на синцирот повлекувајќи го предниот штитник за рака.
2. Свртете го тркалото за нагодување во насока „-“ за да се отпушти затегнатоста на синцирот на пилата.
▶ **Сл.16:** 1. Бројчник за нагодување

3. Повлечете ја рачката нагоре додека го притискате нејзиниот раб.

► **Сл.17:** 1. Рачка

4. Вртете ја рачката налево додека не излезе преградата на свездестиот лагер.

► **Сл.18:** 1. Рачка 2. Преграда на свездестиот лагер

5. Отстранете ја преградата на свездестиот лагер, а потоа отстранете го синцирот на пилата и насочувачката шипка од телото на моторната пила.

Нагодување на затегнатоста на синцирот на пилата

▲ВНИМАНИЕ: Извршете ја постапката за монтирање или демонтирање на синцирот на пилата на чисто место, без прав и сл.

▲ВНИМАНИЕ: Не затегнувајте го синцирот на пилата премногу. Преголема затегнатост на синцирот на пилата може да предизвика да се скрши синцирот на пилата, да се изаби насочувачката шипка и да се скрши тркалото за нагодување.

▲ВНИМАНИЕ: Синцирот што е премногу олабавен може да се откачи од шипката и може да предизвика несреќа со повреда.

Синцирот на пилата може да се разлабави по многу часови употреба. Повремено проверувајте колку е затегната пилата пред употреба.

1. Повлечете ја рачката нагоре додека го притискате нејзиниот раб.

► **Сл.19:** 1. Рачка

2. Свртете го лостот малку налево за лесно да се олабави свездестиот лагер.

► **Сл.20:** 1. Рачка 2. Преграда на свездестиот лагер

3. Подигнете го малку врвот на насочувачката шипка и нагодете ја затегнатоста на синцирот. Свртете го тркалото за нагодување во насока „-“ за да олабавите, а во правец „+“ за да затегнете. Затегнувајте го синцирот на пилата додека долната страна на синцирот на пилата не навлезе во шината на насочувачката шипка како што е илустрирано.

► **Сл.21:** 1. Бројчаник за нагодување
2. Насочувачка шипка 3. Синцир на пилата

4. Држете ја лесно насочувачката шипка и стегнете ја преградата на свездестиот лагер. Осигурете се дека синцирот на пилата не е лабав од долната страна.

5. Вратете ја рачката во оригиналната положба.

Осигурете се дека синцирот на пилата лежи точно спроти долната страна од шипката.

РАБОТЕЊЕ

Подмачкување

▲ВНИМАНИЕ: Не работете со моторната пила кога резервоарот е празен. Ставете масло навреме, пред да се испразни резервоарот.

▲ВНИМАНИЕ: Не дозволувајте маслото да дојде во допир со кожата и со очите. Ако дојде во допир со очите, може да предизвика иритација. Во случај на контакт со очите, веднаш измијте го зафатеното око со чиста вода и веднаш консултирајте лекар.

▲ВНИМАНИЕ: Никогаш не користете отпадно масло. Отпадното масло содржи канцерогени супстанции. Загадувачите во отпадното масло предизвикуваат забрзано абеење на пумпата за масло, шипката и синцирот. Отпадното масло е штетно за околината.

ЗАБЕЛЕШКА: Кога се користи првпат моторната пила, може да требаат две минути за да почне маслото за синцирот на пилата да почне да го подмачкува механизмот на пилата. Вклучете ја пилата без оптоварување сè додека не се случи тој момент.

ЗАБЕЛЕШКА: Кога за првпат полните масло за синцирот или го полните резервоарот откако тој целосно ќе се испразни, додајте масло до долниот раб на грлото на полначот. Инаку, може да има проблеми со протокот на масло.

ЗАБЕЛЕШКА: Користете го маслото за синцирот на пилата само за моторните пили Makita или еквивалентно масло што е достапно на пазарот.

ЗАБЕЛЕШКА: Никогаш не користете масло што содржи прав и честички или масло со опаднат квалитет.

ЗАБЕЛЕШКА: Кога поткаструвате дрва, користете ботаничко масло. Минералното масло може да ги оштети дрвата.

ЗАБЕЛЕШКА: Пред да започнете со сечење, проверете дали капачето на резервоарот за масло е добро стегнато.

Синцирот на пилата се подмачкува автоматски додека работи алатот. Повремено проверувајте ја количината преостанато масло во резервоарот за масло низ прозорецот за проверка на маслото.

► **Сл.22:** 1. Капаче на резервоарот за масло
2. Прозорец за проверка на маслото

За да наполните масло, извршете ги следниве чекори:

1. Темељно исчистете ја областа околу капачето на резервоарот за масло за да се спречи влегување на каква било нечистотија во резервоарот за масло.

2. Поставете ја моторната пила на нејзината страна.

3. Притиснете го копчето на капачето на резервоарот за масло така што копчето на другата страна ќе се исправи и потоа со вртење извадете го капачето на резервоарот за масло.

► **Сл.23:** 1. Капаче на резервоарот за масло
2. Стегнување 3. Олабавување

4. Наполнете го резервоарот за масло со масло. Правилното количество масло е 260 мл.
5. Зашрафете го цврсто капакот на резервоарот за масло на место.
6. Внимателно избришете го истуреното масло за пила.

НАПОМЕНА: Доколку е тешко да се извади капачето на резервоарот за масло, вметнете го окастиот клуч во отворот на капачето на резервоарот за масло и потоа извадете го капачето на резервоарот за масло вртејќи го налево.

► **Сл.24:** 1. Отвор 2. Окаст клуч

По полнењето, држете ја моторната пила подалеку од дрвото. Стартувајте ја и почекајте додека синцирот на пилата не се подмачка адекватно.

► **Сл.25**

Работење со моторната пила

▲ВНИМАНИЕ: Почетниот корисник треба, како минимална пракса, да сече трупци на ногари за сечење дрва или на лежиште.

▲ВНИМАНИЕ: Кога сечете претходно сечен дрвен материјал, користете стабилна подлога (ногари за сечење дрва или лежиште). Не придржувајте го работниот материјал со вашето стапало и не дозволувајте никој друг да го прави тоа.

▲ВНИМАНИЕ: Прицврстете ги кружните парчиња да не вртат.

▲ВНИМАНИЕ: Чувајте ги сите делови на телото подалеку од синцирот на пилата кога работи моторот.

▲ВНИМАНИЕ: Држете ја моторната пила цврсто со двете раце кога работи моторот.

▲ВНИМАНИЕ: Не пресегајте предалеку. Одржувајте добра стабилност и рамнотежа со нозете цело време.

ЗАБЕЛЕШКА: Никогаш не фрлајте го или не испуштајте го алатот.

ЗАБЕЛЕШКА: Не покривајте ги отворите за вентилација на алатот.

Принесете го долниот раб од телото на моторната пила да дојде во допир со гранката што треба да се сече пред да ја вклучите пилата. Во спротивно, насочувачката шипка може да измрда што може да резултира со повреда на операторот. Пресечете го дрвото што треба да се сече едноставно движејќи ја надолу со користење на тежината на моторната пила.

► **Сл.26**

Доколку не може да го пресечете дрвото со еден потег:

Применете благ притисок врз рачката и продолжете со сечење, малку повлекувајќи ја моторната пила наназад. Потоа, нанесете го назабениот браник малку пониско и завршете го сечењето подигнувајќи ја рачката.

► **Сл.27**

Сечење трупци

1. Потпрете го долниот раб од телото на моторната пила на дрвото што треба да се сече.

► **Сл.28**

2. Додека работи синцирот на пилата, засечете го дрвото притоа користејќи ја задната рачка за да ја подигнете пилата, а предната рачка за да ја водите. Користете го назабениот браник како стожер.

3. Продолжете го сечењето со мал притисок на предната рачка, лесно повлекувајќи ја пилата наназад. Поместете го назабениот браник подолу на дрвениот материјал и повторно подигнете ја предната рачка.

ЗАБЕЛЕШКА: Кога правите повеќе пресеци, исклучувајте ја моторната пила меѓу пресеците.

▲ВНИМАНИЕ: Ако горниот раб на шипката се користи за сечење, моторната пила може да се придвижи кон вас доколку се заглави синцирот. Заради тоа, сечете со долниот раб за да се придвижи пилата во обратен правец од вашето тело.

► **Сл.29**

Кога сечете дрво под тензија, прво почнете од притиснатата страна (А). Потоа последниот пресек направете го од страната под тензија (В). Така нема да се заглави шипката.

► **Сл.30**

Кастрење

▲ВНИМАНИЕ: Кастрењето може да го прават само обучени лица. Постои ризик од повратен удар.

При кастрење, потпрете ја моторната пила на трупот ако е можно. Не сечете со врвот на шипката, бидејќи тоа може да биде ризик од повратен удар. Посветете особено внимание на гранките под тензија. Не сечете одоздола гранки што не се потпрени.

Не стојте на отсечениот трупец при кастрење.

Длабење и сечење во правец на структурата на дрвото

▲ВНИМАНИЕ: Длабењето и сечењето треба да го изведуваат само лица што се посебно обучени за тоа. Можноста да има повратен удар претставува ризик од повреда.

Кога сечете во правец на структурата, сечете под што е можно потап агол. Бидете особено внимателни при извршување на сечењето, бидејќи не може да се користи назабениот браник.

► **Сл.31**

Отсекување

⚠ВНИМАНИЕ: Отсекувањето може да го прават само обучени лица. Тоа е опасна работа.

Почитувајте ги локалните регулативи ако сакате да отсечете дрво.

► **Сл.32:** 1. Област на отсекување

- Пред да почнете со отсекување, проверете дали:
 - само лица вклучени во операцијата на отсекување се во близина;
 - вклучените лица имаат непречен пат за повлекување кој е околу 45° од двете страни на оската на отсечокот. Имајте го предвид дополнителниот ризик од спречување од електрични кабли;
 - на основата на трупецот да нема туѓи тела, корења и гранки;
 - да нема лица или објекти на растојание од 2 1/2 должини на дрвото во правецот во кој ќе падне дрвото.
 - За секое дрво имајте го предвид следново:
 - правецот на наклонување;
 - откачени или суви гранки;
 - висината на дрвото;
 - природната издаденост;
 - дали дрвото е скапано или не.
 - Размислете за брзината и за правецот на ветерот. Не отсекувајте ако има силен налет на ветар.
 - Поткастрување израсстоци на корења: почнете од најголемите израсстоци. Прво направете вертикален пресек, потоа, хоризонтален.
 - Стојте настрана од дрво што паѓа. Површината зад дрвото што паѓа нека биде чиста до агол од 45° на двете страни од оската на дрвото (види ја сликата „област на отсекување“). Внимавајте на гранките што паѓаат.
 - Треба да се испланира и да исчисти соодветна патека за бегане, пред да се почне со сечењето. Патекаата треба да се шири назад и дијагонално зад очекуваната линија на паѓање, како што е илустрирано на сликата.
- **Сл.33:** 1. Правец на отсекување 2. Зона на опасност 3. Рута за бегане

Кога отсекувате дрва, следете ги долунаведените постапки:

1. Пресечете го спојот што е можно поблиску до земјата. Прво направете хоризонтален пресек 1/5 - 1/3 од дијаметарот на трупецот. Не правете го спојот премногу голем. Потоа направете дијагонален пресек.
- **Сл.34**

НАПОМЕНА: Спојот го одредува правецот во кој ќе падне дрвото и го насочува. Се прави на страната на која треба да падне дрвото.

2. Задниот дел нека биде повисок од основниот пресек на спојот. Задниот пресек мора да биде хоризонтален. Оставете околу 1/10 од дијаметарот на трупецот помеѓу задниот пресек и спојката. Дрвените влакна во непресечениот дел на трупецот имаат улога на ограда. Навремено ставете клинови во задниот пресек.
- **Сл.35**

⚠ПРЕДУПРЕДУВАЊЕ: Не пресекувајте право низ влакната во ниеден случај. Инаку дрвото ќе падне непроверено.

ЗАБЕЛЕШКА: Може да се користат само пластични или алуминиумски клинови за да остане отворен задниот пресек. Забрането е да се користат челични клинови.

Носење на алатот

Пред да го носите алатот, употребете ја сопирачката за синцирот и извадете ја касетата за батеријата од алатот. Потоа поставете го капакот на насочувачката шипка. Исто така, покријте ја касетата за батерија со капакот на батеријата.

► **Сл.36:** 1. Капак на насочувачката шипка 2. Капак на батеријата

ОДРЖУВАЊЕ

⚠ВНИМАНИЕ: Пред секоја проверка или одржување, секогаш проверувајте дали алатот е исклучен и касетата за батеријата е извадена.

⚠ВНИМАНИЕ: Секогаш носете ракавици кога проверувате или одржувате.

ЗАБЕЛЕШКА: За чистење, не користете нафта, бензин, разредувач, алкохол или слично. Тие средства ја вадат бојата и може да предизвикаат деформации или пукнатини.

За да се одржи БЕЗБЕДНОСТА и СИГУРНОСТА на производот, поправките, одржувањата или дотерувањата треба да се вршат во овластени сервисни или фабрички центри на Makita, секогаш со резервни делови од Makita.

Острене на синцирот на пилата

Острете го синцирот на пилата кога:

- се прават брашнести струготини кога се сече мокро дрво;
- синцирот ќе навлезе во дрвото со тешкотии, дури и кога ќе се примени голем притисок;
- очигледно е оштетен работ за сечење;
- пилата влече или кон лево или кон десно во дрвото. (предизвикано од нерамномерното острене на синцирот на пилата или оштетување само на едната страна)

Острете го синцирот на пилата често, но секогаш само малку. Обично, доволни се две или три движења со турпијата за рутинско повторно острене. Откако неколкупати одново сте го изостриле синцирот на пилата, однесете ја на острене во нашиот овластен сервисен центар.

Критериуми за острење:

▲ПРЕДУПРЕДУВАЊЕ: Преголемото растојание помеѓу работ за сечење и мерачот на длабочината ја зголемува опасноста од повратен удар.

- **Сл.37:** 1. Должина на забецот за сечење
2. Растојание помеѓу работ за сечење и мерачот на длабочината 3. Минимална должина на забецот за сечење (3 мм)
- Должините на сите запци за сечење мора да се подеднакви. Различните должини на запците за сечење спречуваат синцирот да се движи мазно и може да предизвикаат кинење на синцирот на пилата.
 - Не острете го синцирот кога должината забецот за сечење достигнала 3 мм или помалку. Синцирот треба да се замени со нов.
 - Оддалеченоста помеѓу мерачот за длабочината (заоблен врв) и работ за сечење ја определува дебелината на парчето.
 - Најдобри резултати со сечењето се постигнуваат кога растојанието меѓу работ за сечење и мерачот за длабочина е следново.
 - Сечило на синцирот 91PX: 0,65 мм
 - Сечило на синцирот 80TXL: 0,65 мм
- **Сл.38**
- Аголот на острење од 30° мора да биде ист на сите уреди за сечење. Ако аглите на запците за сечење се различни, синцирот се движи грубо и нерамномерно, има повеќе абеење и може да се скине.
 - Користете соодветна кружна турпија, така што ќе се одржува правилниот агол на острење во однос на запците.
 - Сечило на синцирот 91PX: 55°
 - Сечило на синцирот 80TXL: 55°

Турпија и насочување на турпијата

- Користете специјална кружна турпија (опционален додаток) за синцири на пили за острење на синцирот. Обичните кружни турпии не се соодветни.
- Дијаметарот на кружната турпија за секој синцир на пила е следниот:
 - Сечило на синцирот 91PX: 4,0 мм
 - Сечило на синцирот 80TXL: 4,0 мм
- Турпијата треба да го зафати материјалот само во работниот од со движење напред. Кренете ја турпијата од материјалот при движењето наназад.
- Прво изострете го најкраткиот забец. Потоа, должината на најкраткиот забец за сечење станува репер за сите други запци за сечење на синцирот на пилата.
- Водете ја турпијата како што е прикажано на сликата.

► **Сл.39:** 1. Турпија 2. Синцир на пилата

- Турпијата може да се води полесно ако има држач за турпијата (додаток по избор). Држачот за турпијата има ознаки за правилниот агол на острење од 30° (распоредете ги ознаките паралелно на синцирот на пилата) и ја ограничува длабочината на пенетрацијата (до 4/5 од дијаметарот на турпијата).

► **Сл.40:** 1. Држач за турпија

- По острењето на синцирот, проверете ја висината на мерачот на длабочина со алатот за мерење на синцирот (додаток по избор).

► **Сл.41**

- Отстранете ги сите материјали што се испакнати, независно колку се малечки, со посебна плоската турпија (додаток по избор).
- Повторно заоблете го предниот дел на мерачот на длабочината.

Чистење на насочувачката шипка

Струготините и правот од сечењето ќе се насоберат во жлебот на насочувачката шипка. Тие може да го заглават жлебот на шипката и да го нарушат протокот на маслото. Чистете ги струготините и правот од сечењето кога го остриете или заменуваат синцирот на пилата.

► **Сл.42**

Чистење на преградата на ѕвездестиот лагер

Струготините и правот од сечењето ќе се соберат во внатрешноста на преградата на ѕвездестиот лагер. Отстранете ја преградата на ѕвездестиот лагер и синцирот на пилата од алатот, а потоа исчистете ги струготините и правот од сечењето.

► **Сл.43**

Чистење на дупчето за исфрлање масло

Прав или мали честички може да се насоберат во дупчето за исфрлање масло при работата. Овој прав или малите честички може да го нарушат протокот на масло и да предизвикаат недоволно подмакување на целиот синцир на пилата. Кога на горниот дел од насочувачката шипка има проблем со доставата на масло, исчистете го дупчето за исфрлање масло на следниов начин.

1. Извадете ги преградата на ѕвездестиот лагер и синцирот на пилата од алатот.

2. Отстранете ги правот или малите честички со помош на засечен одвртувач или нешто слично.

► **Сл.44:** 1. Засечен одвртувач 2. Дупче за исфрлање масло

3. Вметнете ја касетата за батерија во алатот. Повлечете го прекинувачот за да ги раздвижите насобраните прав или честички низ дупчето за исфрлање масло испуштајќи го маслото за синцирот.

4. Извадете ја батеријата од алатот. Повторно поставете ги преградата на ѕвездестиот лагер и синцирот на пилата на алатот.

Замена на ѕвездестиот лагер

▲ВНИМАНИЕ: Изабениот ѕвездест лагер ќе го оштети новиот синцир на пилата. Сменете го ѕвездестиот лагер во тој случај.

Пред да го монтирате новиот синцир на пилата, проверете во која состојба е ѕвездестиот лагер.

► **Сл.45:** 1. Ѕвездест лагер 2. Области што се тротат

Секогаш монтирајте нов прстен за заклучување кога го заменувае ѕвездестиот лагер.

► **Сл.46:** 1. Прстен за заклучување 2. Свездест лагер

ЗАБЕЛЕШКА: Проверете дали ѕвездестиот лагер е монтиран како што е прикажано на сликата.

Складирање на алатот

1. Исклучете го алатот пред да го складирате. Отстранете ги струготините и правот од сечењето од алатот откако ќе ја извадите преградата на ѕвездестиот лагер.
2. Откако ќе го исклучите алатот, вклучете го и оставете го да работи без оптоварување за да се подмачкаат синцирот на пилата и насочувачката шипка.
3. Покријте ја насочувачката шипка со капакот на насочувачката шипка.
4. Испразнете го резервоарот за масло.

Упатства за периодично одржување

За да обезбедите долг работен век и да обезбедите целосно функционирање на безбедносните уреди за да спречите оштетувања, морате редовно да ги извршувате следните работи за одржување. Гаранцијата ќе важи само ако опишаните работи се извршуваат редовно и правилно. Ако тоа не го почитувате, работата може да доведе до незгоди! Корисникот на моторната пила не смее да извршува работи за одржување што не се опишани во упатството за употреба. Сите такви работи мора да се извршуваат од страна на нашиот овластен сервисен центар.

Ставка за проверка/време на работа	Пред работа	Секој ден	Секоја недела	Секои 3 месеци	Годишно	Пред складирање
Моторна пила	Проверка.	✓	-	-	-	-
	Чистење.	-	✓	-	-	-
	Проверете во овластениот сервисен центар.	-	-	-	✓	✓
Синцир на пилата	Проверка.	✓	-	-	-	-
	Острење, доколку е потребно.	-	-	-	-	✓
Насочувачка шипка	Проверка.	✓	✓	-	-	-
	Отстранете од моторната пила.	-	-	-	-	✓
Сопирачка за синцирот	Проверете ја функцијата.	✓	-	-	-	-
	Да се проверува редовно во овластениот сервисен центар.	-	-	-	✓	-
Подмачкување на синцирот	Проверете ја стапката на наполнетост со масло.	✓	-	-	-	-
Прекинувач за стартување	Проверка.	✓	-	-	-	-
Рачка за блокирање	Проверка.	✓	-	-	-	-
Капаче на резервоарот за масло	Проверете ја затегнатоста.	✓	-	-	-	-
Мрежа за синцирот	Проверка.	-	-	✓	-	-
Завртки и навртки	Проверка.	-	-	✓	-	-

РЕШАВАЊЕ ПРОБЛЕМИ

Пред да нарачате поправка, прво сами проверете ја состојбата. Ако најдете проблем што не е објаснет во упатството, не обидувајте се да го расклопите алатот. Наместо тоа, побарајте помош од овластените сервисни центри на Makita и секогаш користете делови за замена и поправка од Makita.

Статус на дефект	Причина	Дејство
Моторната пила не се вклучува.	Не е монтирана касетата за батеријата.	Монтирајте наполнета касета за батерија.
	Проблем со батеријата (низок напон).	Повторно наполнете ја касетата за батеријата. Ако полнењето нема ефект, заменете ја касетата за батеријата.
	Прекинувачот за главно напојување е исклучен.	Моторната пила автоматски се исклучува доколку не работи определено време. Повторно вклучете го прекинувачот за главно напојување.
Синцирот на пилата не се активира.	Активирана е сопирачката за синцирот.	Отпуштете ја сопирачката за синцирот.
Моторот запира со работа по краткотрајна употреба.	Нивото на наполнетост на батеријата е ниско.	Повторно наполнете ја касетата за батеријата. Ако полнењето нема ефект, заменете ја касетата за батеријата.
Нема масло во синцирот.	Резервоарот за масло е празен.	Наполнете го резервоарот за масло.
	Жлебот на хранителот на маслото е валкан.	Исчистете го жлебот.
	Недоволен проток на маслото.	Нагодете ја количината на проток на маслото со завртката за нагодување.
Моторната пила не ги достигнува максималните вртежи во минута.	Касетата за батеријата е неправилно монтирана.	Монтирајте ја касетата за батеријата како што е опишано во прирачникот.
	Мокта на батеријата опаѓа.	Повторно наполнете ја касетата за батеријата. Ако полнењето нема ефект, заменете ја касетата за батеријата.
	Погонскиот систем не работи правилно.	Побарајте го овластениот сервисен центар во вашиот регион за поправка.
Ламбичката за главно напојување трепка зелено.	Прекинувачот е повлечен во неоперативен услов.	Повлечете го прекинувачот откако прекинувачот за главно напојување е вклучен и сопирачката за синцирот е отпуштена.
Синцирот не запира, дури и кога се активира сопирачката за синцирот: Веднаш запрете го алатот!	Облогата на сопирачката е изабена.	Побарајте го овластениот сервисен центар во вашиот регион за поправка.
Абнормални вибрации: Веднаш запрете го алатот!	Опабавете ја насочувачката шипка или синцирот на пилата.	Нагодете ја насочувачката шипка или затегнатоста на синцирот на пилата.
	Дефект на алатот.	Побарајте го овластениот сервисен центар во вашиот регион за поправка.
Синцирот на пилата не може да се монтира.	Комбинацијата на синцир на пилата и ѕвездест лагер не е точна.	Користете ја точната комбинација на синцир на пилата и ѕвездест лагер, наведена во делот за спецификации.

ОПЦИОНАЛЕН ПРИБОР

⚠ ВНИМАНИЕ: Овој прибор или додатоци се препорачуваат за користење со алатот од Makita дефиниран во упатството. Со користење друг прибор или додатоци може да се изложите на ризик од телесни повреди. Користете ги приборот и додатоците само за нивната назначена намена.

Ако ви треба помош за повеќе детали за приборот, прашајте во локалниот сервисен центар на Makita.

- Синцир на пилата
- Насочувачка шипка
- Капак на насочувачката шипка

- Турпија
- Торба за алати
- Оригинална батерија и полнач на Makita

⚠ ПРЕДУПРЕДУВАЊЕ: Доколку купите насочувачка шипка со различна должина од стандардната насочувачка шипка, купете и соодветен капак на насочувачката шипка. Тој мора да одговара и целосно да ја прекрие насочувачката шипка на моторната пила.

НАПОМЕНА: Некои ставки на листата може да се вклучени со алатот како стандарден прибор. Тие може да се разликуваат од држава до држава.

ТЕХНИЧКИ ПОДАЦИ

Модел:		UC014G	UC015G	UC016G	UC017G
Укупна дужина (без водилице ланца)		445 мм			
Номинални напон		DC 36 V – 40 V макс.			
Нето тежина	*1	4,5 кг			
	*2	6,2 – 6,9 кг			
Стандардна дужина водилице ланца		300 мм	350 мм	400 мм	450 мм
Препоручена дужина мача		300 – 450 мм			
Применљиви тип ланца тестере (погледајте табелу у наставку)		91PX 80TXL			
Ланчаник (91PX)	Број зубаца	6			
	Дубина	3/8"		3/8"	
Ланчаник (80TXL)	Број зубаца	7			
	Дубина	0,325"			
Брзина ланца		0 – 25,5 м/с (0 – 1.530 м/мин)			
Запремина резервоара за уље		260 cm^3			
Степен заштите		IPX4			

- На основу нашег непрестаног истраживања и развоја задржавамо право измена наведених техничких података без претходне најаве.
 - Спецификације могу да се разликују у различитим земљама.
- *1: Тежина без ланца тестере, водилице ланца, поклопца водилице ланца, уља и уложка (уложака) батерија.
*2: Комбинација најмање и највеће тежине, према ЕРТА-Procedure 01/2014. Тежина може да се разликује у зависности од наставака, укључујући и уложак батерије.

Ланац тестере, водилица ланца и комбинација ланчаника

Тип ланца тестере		91PX			
Бр. погонских карика		46	52	56	62
Водилица ланца	Дужина водилице ланца	300 мм	350 мм	400 мм	450 мм
	Дужина сечења	268 мм	324 мм	361 мм	418 мм
	Дубина	3/8"			
	Мерач	1,3 мм			
	Тип	Предња шипка ланчаника			
Ланчаник	Број зубаца	6			
	Дубина	3/8"			

Тип ланца тестере		80TXL			
Бр. погонских карика		51	59	64	70
Водилица ланца	Дужина водилице ланца	300 мм	350 мм	400 мм	450 мм
	Дужина сечења	259 мм	325 мм	366 мм	416 мм
	Дубина	0,325"			
	Мерач	1,1 мм			
	Тип	Предња шипка ланчаника			
Ланчаник	Број зубаца	7			
	Дубина	0,325"			

▲ УПОЗОРЕЊЕ: Користите одговарајућу комбинацију водилице ланца и ланца тестере. У супротном може да дође до телесних повреда.

Применљив уложак батерије и пуњач

Уложак батерије	BL4040 / BL4050F* * : Препоручена батерија
Пуњач	DC40RA / DC40RB / DC40RC

- Неки горенаведени улошци батерија и пуњачи можда неће бити доступни у зависности од места становања.

▲ УПОЗОРЕЊЕ: Користите само горенаведене улошке батерије и пуњаче. Коришћење других уложака батерије и пуњача може узроковати повреде и/или пожар.

Препоручени извор напајања повезан каблом

Преносиво напајање	PDC01
--------------------	-------

- Извори напајања повезани каблом који су горенаведени можда неће бити доступни у зависности од вашег места становања.
- Пре него што користите извор напајања повезан каблом, прочитајте упутства и безбедносне ознаке на њему.

Симболи

У наставку су приказани симболи који се односе на опрему. Пре употребе се обавезно упознајте са њиховим значењем.



Прочитајте упутство за употребу.



Носите заштитне наочаре.



Носите заштитне слушалице.



Носите шлем, заштитне наочаре и заштитне слушалице.



Максимална дозвољена дужина реза



Увек користите две руке приликом рада са ланчаном тестером.



Пазите на повратни удар ланца тестере и избегавајте контакт са врхом водилице ланца.



Смер кретања ланца



Подешавање количине уља за ланац тестере



Само за земље ЕУ
Због присуства штетних компонента у опреми, отпад од електричне и електронске опреме, акумулатора и батерија, може да има негативан утицај на животну средину и здравље људи. Не одлажите електричне и електронске уређаје или батерије са кућним отпадом! У складу са европском директивом о отпаду од електричне и електронске опреме и о акумулаторима и батеријама и отпаду од акумулатора и батерија, као и њеном прилагођавању националном закону, отпад од електричне и електронске опреме, батерија и акумулатора мора да се прикупи одвојено и достави одвојеном сабиралишту за комунални отпад који ради у складу са прописима о заштити животне средине. То означава симбол прецртане канте за смеће на опреми.



Гарантовани ниво звучне снаге у складу са ЕУ директивом о буци коју емитује опрема на отвореном простору.



Ниво звучне снаге у складу са уредбом о контроли буке у Аустралији, НЈБ

Намена

Овај ланац тестере је намењен за резање дрвета.

Бука

Типичан А-пондерисани ниво буке одређен је према стандарду EN62841-4-1:

Модел UC014G

Ниво звучног притиска (L_{pA}): 91 dB (A)
Ниво звучне снаге (L_{WA}): 102 dB (A)
Несигурност (K): 3 dB (A)

Модел UC015G

Ниво звучног притиска (L_{pA}): 91 dB (A)
Ниво звучне снаге (L_{WA}): 102 dB (A)
Несигурност (K): 3 dB (A)

Модел UC016G

Ниво звучног притиска (L_{pA}): 91 dB (A)
Ниво звучне снаге (L_{WA}): 102 dB (A)
Несигурност (K): 3 dB (A)

Модел UC017G

Ниво звучног притиска (L_{pA}): 91 dB (A)
Ниво звучне снаге (L_{WA}): 102 dB (A)
Несигурност (K): 3 dB (A)

НАПОМЕНА: Декларисане вредности емисије буке су измерене према стандардизованом мерном поступку и могу се користити за упоређивање алата.

НАПОМЕНА: Декларисана вредност емисије буке се такође може користити за прелиминарну процену изложености.

▲УПОЗОРЕЊЕ: Носите заштитне слушалице.

▲УПОЗОРЕЊЕ: Емисије буке током стварне примене електричног алата могу се разликовати од декларисане вредности у зависности од начина на који се користи алат, а посебно која врста предмета се обрађује.

▲УПОЗОРЕЊЕ: Уверите се да сте идентификовали безбедносне мере за заштиту руковаоца које су засноване на процени изложености у стварним условима употребе (узимајући у обзир све делове радног циклуса, као што је време рада уређаја, али и време када је алат искључен и када ради у празном ходу).

Вибрације

Укупна вредност вибрација (векторски збир по три осе) одређена је према стандарду EN62841-4-1:

Модел UC014G

Режим рада: резање дрвета

Вредност емисије вибрација ($a_{h,w}$): 5,0 м/с²

Несигурност (K): 1,5 м/с²

Модел UC015G

Режим рада: резање дрвета

Вредност емисије вибрација ($a_{h,w}$): 5,0 м/с²

Несигурност (K): 1,5 м/с²

Модел UC016G

Режим рада: резање дрвета

Вредност емисије вибрација ($a_{h,w}$): 5,0 м/с²

Несигурност (K): 1,5 м/с²

Модел UC017G

Режим рада: резање дрвета

Вредност емисије вибрација ($a_{h,w}$): 5,0 м/с²

Несигурност (K): 1,5 м/с²

НАПОМЕНА: Декларисане укупне вредности вибрација су измерене према стандардизованом мерном поступку и могу се користити за упоређивање алата.

НАПОМЕНА: Декларисане укупне вредности вибрација се такође могу користити за прелиминарну процену изложености.

▲УПОЗОРЕЊЕ: Вредност емисије вибрација током стварне примене електричног алата може се разликовати од декларисане вредности у зависности од начина на који се користи алат, а посебно која врста предмета се обрађује.

▲УПОЗОРЕЊЕ: Уверите се да сте идентификовали безбедносне мере за заштиту руковаоца које су засноване на процени изложености у стварним условима употребе (узимајући у обзир све делове радног циклуса, као што је време рада уређаја, али и време када је алат искључен и када ради у празном ходу).

ЕЗ декларација о усаглашености

Само за европске земље

ЕЗ декларација о усаглашености део је Додатка А у овом приручнику са упутствима.

БЕЗБЕДНОСНА УПОЗОРЕЊА

Општа безбедносна упозорења за електричне алате

▲УПОЗОРЕЊЕ: Прочитајте сва безбедносна упозорења, упутства, илустрације и спецификације које су испоручене уз овај електрични алат. Непоштовање свих доле наведених безбедносних упутстава може изазвати електрични удар, пожар и/или озбиљну повреду.

Сачувајте сва упозорења и упутства за будуће потребе.

Термин „електрични алат“ у упозорењима односи се на електрични алат који се напаја из електричне мреже (каблом) или батерије (без кабла).

Општа безбедносна упозорења за ланчану тестеру

- Све делове тела држите даље од ланца тестере када ланчана тестера ради. Пре него што покренете ланчану тестеру, уверите се да на ланцу тестере нема ничега.** Тренутак непажње приликом руковања ланчаним тестерама може да доведе до уплитања одеће или дела тела у ланчану тестеру.
- Увек држите десном руком задњу ручку ланчане тестере, а левом предњу ручку.** Ако ланчану тестеру држите обрнутим положајем руку, повећава се ризик од телесних повреда, па то никада не треба радити.
- Ланчану тестеру држите искључиво за изоловане руковате јер постоји могућност да ланац тестере додирне скривени струјни кабл.** Уколико ланац тестере додирне струјни кабл под напоном, изложени метални делови ланчане тестере могу такође да буду под напоном, па би руковалац могао да буде изложен електричном удару.
- Носите заштитне наочаре. Препоручује се и додатна заштитна опрема за слух, главу, руке, ноге и стопала.** Одговарајућа заштитна опрема умањује телесне повреде од летећих опилеака или случајног контакта са ланцем тестере.
- Немојте да рукујете ланчаном тестером док сте на дрвету, мердевинама, крову или било којој нестабилној подлози.** Коришћење ланчане тестере на овај начин може да доведе до тешке телесне повреде.
- Увек обезбедити чврст ослонац испод ногу, а ланчаном тестером рукујте само док стојите на фиксираној, безбедној и равnoj површини.** Клизаве или нестабилне површине могу да доведу до губитка равнотеже или контроле над ланчаном тестером.
- Када сечете грану која је под тензијом, пазите се повратног удара.** Када се тензија у влакнима дрвета ослободи, грана под тензијом може да удари руковаоца и/или да доведе до губитка контроле над ланчаном тестером.

8. **Будите изузетно пажљиви када сечете грмље и стабљике.** Танки материјали могу да се ухвате у ланчану тестеру и буду одбачени према вама или да вас избаци из равнотеже.
 9. **Ланчану тестеру носите искључену и држећи је за предњу ручку, даље од тела. Приликом транспорта или одлагања ланчане тестере увек монтирајте поклопац водилице ланца.** Исправним руковањем ланчаном тестером умањите могућност случајног контакта са ланцем тестере у покрету.
 10. **Придржавајте се упутстава за подмазивање, затезање ланца и промену водилице и ланца.** Неисправно затегнут или подмазан ланац може да се поломи или да повећа могућност повратног удара.
 11. **Режите само дрво. Ланчану тестеру користите само за послове за које је намењена. На пример: немојте да користите ланчану тестеру за резање металних, пластичних, зиданих или недрвених материјала.** Коришћење ланчане тестере за обављање других послова за које није намењена могло би да доведе до опасне ситуације.
 12. **Немојте да покушавате да оборите дрво док не разумете ризике и како да их избегнете.** Приликом обарања дрвета може да дође до озбиљних повреда руковаоца или пролазника.
 13. **Узроци повратног удара и његово спречавање:**
До повратног удара може да дође када нос или врх водилице ланца додирне предмет или када дрво обхвати и укљешти ланчану тестеру у резу. Додир врха у неким случајевима може да узрокује нагло обрнуту реакцију, одбацујући водилицу ланца нагоре и уназад ка руковаоцу. Укљештењем ланца тестере дуж горњег дела водилице ланца може да дође до брзог одгуривања водилице ланца уназад ка руковаоцу. Свака од ових реакција може да доведе до губитка контроле над тестером што би могло да узрокује озбиљне телесне повреде. Немојте да се ослањате искључиво на безбедносне уређаје уграђене у тестеру. Као корисник ланчане тестере требало би да предузмете неколико корака како бисте били сигурни да током обављања задатака сечења неће доћи до несреће или повреде.
Повратни удар је резултат неправилне употребе ланчане тестере и/или неправилних радних процедура или услова и може се избећи предузимањем одговарајућих мера опреза које су наведене у наставку:
 - **Чврсто држите тестеру тако да палчеви и прсти обухватају дршке ланчане тестере, држећи је са обе руке, а тело и руку поставите тако да можете да се одупрете силама повратног удара.** Руковалац може да користи више силе повратног удара уз одговарајуће мере предострожности. Немојте да пуштате ланчану тестеру.
 - **Немојте да се пропињете да бисте нешто исекли и немојте да сечете нешто што је изнад висине ваших рамена.** На тај начин ћете спречити нежељени контакт са врхом тестере и омогућити бољу контролу над ланчаном тестером у неочекиваним ситуацијама.
 - **Користите искључиво оне резервне водилице ланца и ланце тестере које је навео произвођач.** Неодговарајуће резервне водилице ланца и ланци тестере могу да доведу до прекидања ланца и/или повратног удара.
 - **Пратите упутства произвођача за оштрење и одржавање ланчане тестере.** Смањивање висине мерача дубине може да доведе до повећаног повратног удара.
14. **Пратите сва упутства при чишћењу заглавеног материјала, складиштењу и сервисирању ланчане тестере. Побрините се за то да прекидач буде искључен и батерије извађене.** Неочекивано покретање ланчане тестере током чишћења заглавеног материјала или сервисирања може да доведе до тешких телесних повреда.

Додатна безбедносна упутства

Лична заштитна опрема

1. Одећа не сме да буде широка, али не сме ни да ограничава покретљивост.
2. Током рада носите следећу заштитну одећу:
 - Тестирани безбедносни шлем, ако опасност могућа услед пада грана или сличног;
 - Маска за лице или заштитне наочаре;
 - Одговарајућа заштита за слух (слушалице за уши, прилагођени или прилагођиви чепови за уши). Анализа јачине звука на захтев.
 - Чврсте кожане заштитне рукавице;
 - Дугачке панталоне направљене од јаког материјала;
 - Заштитне радне панталоне од материјала отпорног на резове;
 - Заштитне ципеле или чизме са неклизајућим ђоном, челичним ојачањем за прсте и поставом отпорном на резове;
 - Маска за дисање током обављања послова који производе прашину (нпр. тестерисање сувог дрвета).

Рад

1. **Пре него што почнете са радом, проверите да ли је ланчану тестеру у исправном радном стању, као и да ли је њено стање у складу са безбедносним одредбама. Нарочито проверите следеће:**
 - да ли кочница за ланац ради исправно;
 - да ли кочница за прекидање напајања ради исправно;
 - да ли су водилица и поклопац ланчаника исправно монтирани;
 - да ли је ланац наоштрен и затегнут у складу са одредбама.

► Слика 1

Важна безбедносна упутства која се односе на уложак батерије

2. Немојте да покрећете ланчану тестеру док се на њој налази поклопац ланца. Покретање ланчане тестере док се на њој налази поклопац ланца може да доведе до избацавања поклопца ланца напред, што може да изазове телесну повреду и оштећење предмета који се налазе око руковаца.
3. Када користите алат на блатњавом тлу, влажној површини под нагибом или клизавој површини, обратите пажњу на ослонац.
4. Немојте потапати алат у локве воде.
5. Немојте да остављате алат без надзора напољу по киши.

Заштита електричних инсталација и акумулатора

1. Избегавајте опасна окружења. Немојте користити алат на влажним или мокрым местима или га излагати киши. Вода која уђе у алат повећава ризик од струјног удара.
2. Батерије немојте бацати у ватру. Могле би да експлодирају. Проверите да ли локални закони предвиђају посебна упутства за одлагање.
3. Немојте да отворате или разбијате батерије. Ослобођени електролит је корозиван и може да повреди очи или кожу. Може да буде токсичан уколико се прогута.
4. Немојте да пуните батерију на киши или на влажним местима.
5. Немојте да пуните батерију на отвореном.
6. Не дирајте пуњач, укључујући утикач пуњача и прикључке пуњача мокрым рукама.
7. Немојте да мењате батерије по киши.
8. Немојте да мењате батерију мокрым рукама.
9. Немојте да остављате батерију на киши, немојте да је пуните, користите нити одлажете на влажном или моком месту.
10. Немојте да квасите контакте батерије течношћу као што је вода и не потапајте батерију. Ако се контакт покваси или течност уђе у унутрашњост батерије, у батерији може да дође до кратког споја и постоји ризик од прегревања, пожара или експлозије.
11. Када извадите батерију из машине или пуњача, обавезно поставите поклопац батерије на батерију и ускладиштите је на сувом месту.
12. Ако се уложак батерије покваси, уклоните сву воду из њега и пребришите га сувом крпом. У потпуности осушите уложак батерије на сувом месту пре коришћења.

Одржавање и складиштење

1. Када одлажете алат, избегавајте директну сунчеву светлост и кишу и немојте га одлагати на месту где је вруће или има воде.

САЧУВАЈТЕ ОВО УПУТСТВО.

▲ УПОЗОРЕЊЕ: НЕМОЈТЕ себи да дозволите да занемарите строга безбедносна правила која се односе на овај производ услед чињенице да сте производ добро упознали и стекли рутину у руковању њиме (услед честог коришћења). **НЕНАМЕНСКА УПОТРЕБА** или непоштовање безбедносних правила наведених у овом упутству могу довести до тешких телесних повреда.

1. Пре употребе уложка батерије, прочитајте сва упутства и безбедносне ознаке на (1) пуњачу батерије, (2) батерији и (3) производу који користи батерију.
2. Не растављајте и не модификујте уложак батерије. Тиме можете да изазовете пожар, прекомерно загревање или експлозију.
3. Ако се време рада знатно скратило, одмах престаните са коришћењем. То може да доведе до ризика од прегревања, могућих опекотина, па чак и експлозије.
4. Ако електролит доспе у очи, исперите их чистом водом и одмах затражите помоћ лекара. То може да доведе до губитка вида.
5. Немојте да изазивате кратак спој уложка батерије:
 - (1) Немојте додиривати прикључке било којим проводним материјалом.
 - (2) Избегавајте складиштење уложка батерије у кутији са другим металним предметима као што ексери, новчићи итд.
 - (3) Немојте да излажете уложак батерије води или киши.Кратак спој батерије може да доведе до великог протока струје, прегревања, могућих опекотина, па чак и прегоривања.
6. Немојте да складиштите и користите алат и уложак батерије на местима где температура може да достигне или премаше 50 °C (122 °F).
7. Немојте да палите уложак батерије чак ни када је озбиљно оштећен или потпуно похабан. Уложак батерије може да експлодира у ватри.
8. Немојте да закивате, сечете, ломите, бацате или испуштате уложак батерије, или да њиме ударате по чврстој површини. На тај начин можете да изазовете пожар, прекомерно загревање или експлозију.
9. Немојте да користите оштећену батерију.
10. Садржане литијум-јонске батерије подлежу Закону о превозу опасних материја. Приликом комерцијалног превоза, нпр. од стране трећих лица и превозника, мора се обратити посебна пажња на специјалне захтеве паковања и обележавања. Приликом припреме материјала за превоз, потребно је саветовати се са стручњаком за опасне материје. Такође обратите пажњу на евентуалне даље националне прописе. Омотајте траком или прекријте отворене контакте и запакујте батерију тако да се не може померати унутар паковања.
11. Када одлажете уложак батерије на отпад, извадите га из алата и одложите на безбедно место. Придржавајте се локалних прописа у вези са одлагањем батерије.
12. Батерије користите само са производима које је навела компанија Makita. Постављање батерије на производе који нису услашени може да доведе до пожара, прекомерне топлоте, експлозије или цурења електролита.

13. Ако се алат не користи током дужег периода, батерија мора да се извади из алата.
14. Током и након коришћења, уложак батерије може да акумулира толико топлоте да то може довести до опекотина, уобичајених и нискотемпературних. Пажљиво рукујте врућим улошцима батерије.
15. Не додирујте контакте алата одмах након коришћења јер су можда толико врући да могу да изазову опекотине.
16. Водите рачуна да се струготина, прашина или земља не заглаве у контактима, рупицама и жлебовима улошка батерије. То може проузроковати загревање, запалјивање, пуцање и неисправност алата или улошка батерије, што може да доведе до опекотина или телесних повреда.
17. Осим ако алат то не подржава, немојте да користите уложак батерије близу високонапонских разводних линија електричне струје. У супротном може доћи до квара или прегоривања алата или улошка батерије.
18. Држите батерију ван домаћаја деце.

САЧУВАЈТЕ ОВО УПУТСТВО.

▲ПАЖЊА: Користите само оригиналне Makita батерије. Коришћење Makita батерија које нису оригиналне или батерија које су измењене може да доведе до пуцања батерије, које може да изазове пожар, телесне повреде или штету. То ће такође поништити гаранцију компаније Makita за Makita алат и пуњач.

Савети за максимално трајање батерије

1. Напуните уложак батерије пре него што се потпуно испразни. Сваки пут прекините рад са алатом и напуните уложак батерије када приметите да је снага алата слабија.
2. Никада немојте да поново пуните потпуно напуњени уложак батерије. Препуњавање скраћује радни век батерије.
3. Пуните уложак батерије на собној температури између 10°C и 40°C (између 50°F и 104°F). Сачекајте да се врући уложак батерије охлади пре пуњења.
4. Када не користите уложак батерије, извадите га из алата или пуњача.
5. Напуните уложак батерије ако га нећете користити дуже време (више од шест месеци).

ОПИС ДЕЛОВА

► Слика2

1	Уложак батерије	2	Штитник за предњу руку	3	Полуга
4	Водилица ланца	5	Ланац тестере	6	Подешавање бројчаника
7	Главна лампица	8	Главни прекидач	9	Полуга за ослобађање из блокираног положаја
10	Задња ручка	11	Окидач прекидача	12	Предња ручка
13	Поклопац резервоара за уље	14	Поклопац водилице ланца	15	Завртањ за подешавање (за пумпу за уље)
16	Хватач ланца	-	-	-	-

ОПИС НАЧИНА ФУНКЦИОНИСАЊА

▲ПАЖЊА: Пре подешавања или провере функција алата увек проверите да ли је алат искључен и да ли је уложак батерије уклоњен.

Постављање и уклањање улошка батерије

▲ПАЖЊА: Увек искључите алат пре постављања или уклањања улошка батерије.

▲ПАЖЊА: Држите чврсто алат и уложак батерије када постављате или уклањате уложак батерије. Ако алат и уложак батерије не будете држали чврсто, могу вам исклизнути из руку, оштетити се при паду и повредити вас.

► Слика3: 1. Црвени индикатор 2. Дугме 3. Уложак батерије

Да бисте уклонили уложак батерије, клизањем га извучите из алата док клизањем померате дугме на предњој страни улошка.

Да бисте поставили уложак батерије, поравнајте језичак на њему са жлебом на кућишту и гурните га на место. Гурните га до краја тако да легне на своје место и чује се тихо шкљоцање. Ако видите црвени индикатор као што је приказано на слици, уложак батерије није потпуно закључан.

▲ПАЖЊА: Увек до краја гурните уложак батерије тако да се црвени индикатор не види. У супротном, он случајно може испасти из алата и повредити вас или неку особу у вашој близини.

▲ПАЖЊА: Немојте на силу да постављате уложак батерије. Ако уложак не можете лако да гурнете, то значи да га не постављате исправно.

Приказ преосталог капацитета батерије

Притисните дугме за проверу на улошку батерије да бисте приказали преостали капацитет батерије. Индикаторске лампице ће се укључити на неколико секунди.

► **Слика4:** 1. Индикаторске лампице 2. Дугме за проверу

Индикаторске лампице			Преостали капацитет
Светли	Искључено	Трепће	
			Од 75% до 100%
			Од 50% до 75%
			Од 25% до 50%
			Од 0% до 25%
			Напуните батерију.
			Моруће је да је батерија постала неисправна.

НАПОМЕНА: У зависности од услова коришћења и температуре околине, приказани капацитет може донекле да се разликује од стварног.

НАПОМЕНА: Прва (крајња лева) индикаторска лампица трепери када систем за заштиту батерије ради.

Систем за заштиту алата/батерије

Алат је опремљен системом за заштиту алата/ батерије. Овај систем аутоматски прекида напајање мотора како би продужио век трајања алата и батерије. Алат ће се аутоматски зауставити током рада ако алат или батерија уђу у једно од следећих стања:

Заштита од преоптерећења

Када се батеријом ради на начин који захтева изузетно велику потрошњу струје, алат аутоматски престаје да ради и главна лампица почиње да трепери зеленом бојом. У овој ситуацији, искључите алат и престаните са употребом која је довела до преоптерећења алата. Затим укључите алат да бисте га поново покренули.

Заштита од прегревања

Када су алат или батерија прегрејани, алат аутоматски престаје да ради и главна лампица почиње да трепери црвеном бојом. У овом случају, пустите да се алат и батерија охладе пре поновног укључивања алата.

НАПОМЕНА: У окружењу са високом температуром, заштита од прегревања почиње да делује тако да алат аутоматски престаје да ради.

Заштита од превеликог пражњења

Када капацитет батерије није довољан, алат аутоматски престаје да ради и главна лампица почиње да трепери црвеном бојом. У том случају, укљоните батерију из алата и напуните је.

Заштита од других узрока

Систем за заштиту је такође дизајниран за друге узроке који могу да оштете алат и омогућава му аутоматско заустављање. Обавите све следеће кораке да бисте отклонили узроке када се алат привремено заустави или заустави током рада.

1. Искључите алат, а затим га укључите да бисте га поново покренули.
2. Напуните батерије или их замените напуњеним батеријама.
3. Сачекајте да се машина и батерије охладе.

Ако поновним успостављањем система за заштиту не долази ни до каквих побољшања, обратите се локалном сервисном центру компаније Makita.

ОБАВЕШТЕЊЕ: Ако се алат заустави из разлога који није претходно описан, погледајте одељак о решавању проблема.

Главни прекидач

▲УПОЗОРЕЊЕ: Увек искључите главни прекидач кад алат није у употреби.

Да бисте укључили алат, притисните главни прекидач. Лампица главног напајања светли зеленом бојом. За искључивање, поново притисните главни прекидач.

► **Слика5:** 1. Главна лампица 2. Главни прекидач

НАПОМЕНА: Главна лампица ће треперити зеленом бојом ако је окидач прекидача притиснут у условима неодговарајућим за рад. Лампица трепери под једним од следећих услова.

- Када укључите главни прекидач док држите притиснуту полуку за закључавање и окидач прекидача.
- Када повучете окидач прекидача док је кочница ланца активна.
- Када отпустите кочницу ланца док држите притиснуту полуку за закључавање и отпуштате окидач прекидача.

НАПОМЕНА: Овај алат користи функцију аутоматског искључивања. Ако окидач прекидача није притиснут одређени временски период након укључивања главног прекидача, главни прекидач ће се аутоматски искључити како би се избегло ненамерно покретање.

Функционисање прекидача

▲ УПОЗОРЕЊЕ: Ради ваше безбедности, овај алат је опремљен полугом за ослобађање из блокираног положаја која спречава ненамерно покретање алата. НИКАДА немојте користити овај алат ако се покреће при самом повлачењу окидача прекидача без притискања полуге за ослобађање из блокираног положаја. ПРЕ даље употребе вратите алат сервисном центру ради адекватне поправке.

▲ УПОЗОРЕЊЕ: НИКАДА немојте да лепите траком полугу за ослобађање из блокираног положаја или да мењате њену сврху и функцију.

▲ ПАЖЊА: Пре постављања улошка батерије у алат увек проверите да ли окидач прекидача ради правилно и да ли се након отпуштања враћа у положај „OFF“ (Искључено).

ОБАВЕШТЕЊЕ: Немојте јако повлачити окидач прекидача ако претходно нисте притиснули полугу за ослобађање из блокираног положаја. То може да доведе до ломљења прекидача.

Полуга за закључавање спречава случајно повлачење окидача прекидача. Да бисте укључили алат, притисните полугу за закључавање и повуците окидач прекидача. Брзину алата повећавате повећавањем притиска на окидач прекидача. Пустите окидач прекидача да бисте зауставили алат.

► **Сликаб:** 1. Окидач прекидача 2. Полуга за ослобађање из блокираног положаја

Провера кочнице ланца

▲ ПАЖЊА: Држите ланчану тестеру обема рукама док је укључујете. Десном руком држите задњу ручку, а левом предњу ручку. Трака за вођење и ланац не смеју да додирују ниједан предмет.

▲ ПАЖЊА: Ако се ланац тестере одмах не заустави када ово урадите, ни под којим условима не сме да је користите. Обратите се овлашћеном сервисном центру.

1. Притисните полугу за закључавање, а затим повуците окидач прекидача. Ланчана тестера се одмах покреће.
2. Надлактицом гурните предњи штитник руке унапред. Ланчана тестера мора одмах да се заустави.
► **Слика7:** 1. Штитник за предњу руку 2. Откључани положај 3. Закључани положај

Провера кочнице за прекидање напајања

▲ ПАЖЊА: Ако се ланчана тестера у овом тесту не заустави унутар једне секунде, престаните да користите ланац тестере и обратите се овлашћеном сервисном центру.

Покрените ланчану тестеру, а затим потпуно отпустите окидач прекидача. Ланац тестере треба да се заустави за једну секунду.

Подешавање подмазивања ланца

Можете да подесите брзину довода уља на пумпи за уље помоћу завртња за подешавање. Количина уља може да се подешава помоћу универзалног кључа.

► **Слика8:** 1. Завртњак за подешавање

СКЛАПАЊЕ

▲ ПАЖЊА: Пре обављања било каквог посла на алату увек проверите да ли је он искључен и да ли је уложак батерије уклоњен.

▲ ПАЖЊА: Немојте дирати ланац тестере голим рукама. Увек носите рукавице док рукујете ланцем тестере.

Постављање и уклањање ланца тестере

▲ ПАЖЊА: Ланац тестере и водилица ланца су још увек врели након рада. Пустите их да се довољно охладе пре било каквог рада на алату.

▲ ПАЖЊА: Поступак монтаже или демонтаже ланца тестере обавите на неком чистом месту без пиљевине и сличних нечистоћа.

Постављање ланца тестере

Да бисте поставили ланац тестере предузмите следеће кораке:

1. Отпустите кочницу ланца тако што ћете повући предњи штитник за руку.
2. Повуците полугу на горе док истовремено притискате њену ивицу.
► **Слика9:** 1. Полуга
3. Окрените полугу у смеру супротном кретању казaljке на сату док поклопац ланчаника не спадне.
► **Слика10:** 1. Полуга 2. Поклопац ланчаника
4. Уклоните поклопац сечива.
5. Проверите смер ланца тестере. Подесите смер ланца тестере према ознаци на телу ланца тестере.
► **Слика11:** 1. Ознаке на телу ланчане тестере
6. Поставите један крај ланца тестере на врх водилице ланца.
7. Поставите други крај ланца тестере око ланчаника, а затим причврстите водилицу ланца за тело ланчане тестере.
► **Слика12:** 1. Ланчаник
8. Окрените бројчаник за подешавање у смеру „–“ да бисте клин за подешавање гурнули у смеру стрелице.
► **Слика13:** 1. Подешавање бројчаника 2. Игла за подешавање
9. Поставите поклопац ланчаника на ланчану тестеру тако да клин за подешавање упадне у мали отвор на водилици ланца.
► **Слика14:** 1. Поклопац ланчаника 2. Водилица ланца 3. Отвор
10. Окрените полугу удесно до краја и вратите је мало уназад да би остала лабава ради подешавања затегнутости ланца.

11. Подесите затегнутост ланца. Поступак је описан у одељку о подешавању затегнутости ланца.

12. Окрећите полугу у смеру казаљке на сату док се поклопац ланчаника не причврсти, а затим је вратите у првобитни положај.

► **Слика15:** 1. Полуга 2. Поклопац ланчаника

Уклањање ланца тестере

Да бисте скинули ланац тестере предузмите следеће кораке:

1. Отпустите кочицу ланца тако што ћете повући предњи штитник за руку.

2. Окрећите бројчаник за подешавање у смеру „-“ да бисте смањили затегнутост ланца тестере.

► **Слика16:** 1. Подешавање бројчаника

3. Повуците полугу на горе док истовремено притискате њену ивицу.

► **Слика17:** 1. Полуга

4. Окрећите полугу у смеру супротног кретању казаљке на сату док поклопац ланчаника не спадне.

► **Слика18:** 1. Полуга 2. Поклопац ланчаника

5. Уклоните поклопац ланчаника, а затим уклоните ланац тестере и водилицу тестере са тела ланчане тестере.

Подешавање затегнутости ланца

▲ПАЖЊА: Поступак монтаже или демонтаже ланца тестере обавите на неком чистом месту без пиљевине и сличних нечистоћа.

▲ПАЖЊА: Немојте превише да затежете ланац тестере. Превелика затегнутост ланца тестере може да доведе до кривања ланца, хабања водилице ланца и лома бројчаника за подешавање.

▲ПАЖЊА: Сувише лабав ланац може да одскочи са водилице ланца и може случајно да изазове повреду.

Ланац тестере може да се олабави после много часова употребе. С времена на време проверите затегнутост ланца пре употребе.

1. Повуците полугу на горе док истовремено притискате њену ивицу.

► **Слика19:** 1. Полуга

2. Окрените полугу благо улево да бисте мало олабавили поклопац ланчаника.

► **Слика20:** 1. Полуга 2. Поклопац ланчаника

3. Полако подигните врх водилице ланца и подесите затегнутост ланца. Окрећите бројчаник за подешавање у смеру „-“ за отпуштање, а у смеру „+“ за причвршћивање. Затезите ланац тестере све док доња страна ланца тестере не упадне у шину водилице ланца, као што је приказано.

► **Слика21:** 1. Подешавање бројчаника

2. Водилица ланца 3. Ланац тестере

4. Лагано придржавајући водилицу ланца и затегните поклопац ланчаника. Проверите да се ланац тестере није олабавио са доње стране.

5. Вратите полугу у првобитни положај.

Проверите да ли ланац тестере налаже непосредно на доњу страну водилице ланца.

РАД

Подмазивање

▲ПАЖЊА: Немојте да рукујете ланчаном тестером ако је резервоар празан. Допуните уље на време, пре него што се резервоар испразни.

▲ПАЖЊА: Спречите да уље дође у контакт са кожом и очима. Контакт са очима изазива иритацију. У случају контакта са очима, одмах исперите захваћено око чистом водом, а затим се одмах обратите лекару.

▲ПАЖЊА: Никада немојте да користите отпадно уље. Отпадно уље садржи канцерогене супстанце. Загађивачи у отпадном уљу узрокују убрзано хабање пумпе за уље, водилице ланца и ланца. Отпадно уље је штетно по животну средину.

ОБАВЕШТЕЊЕ: Када први пут користите ланчану тестеру, могуће је да ће бити потребно до два минута да уље за ланац тестере почне да подмазује механизам тестере. Користите тестеру без оптерећења све док се то не догоди.

ОБАВЕШТЕЊЕ: Када први пут сипате уље за ланац или када допуњујете резервоар када се потпуно испразни, додајте уље до доње ивице грлића пуњача. У супротном доћи ће до смањеног довођења уља.

ОБАВЕШТЕЊЕ: Користите искључиво Makita уље за ланац тестере или еквивалентно уље које је доступно на тржишту.

ОБАВЕШТЕЊЕ: Никада немојте да користите уље у коме има прашине и честица или етерично уље.

ОБАВЕШТЕЊЕ: За орезивање дрвећа користите биљно уље. Минерално уље може да оштети дрвеће.

ОБАВЕШТЕЊЕ: Пре одсецања проверите да ли је достављени поклопац резервоара за уље заврнут.

Ланац тестере се аутоматски подмазује док алат ради. Повремено проверавајте преосталу количину уља у резервоару преко окна за проверу уља.

► **Слика22:** 1. Поклопац резервоара за уље
2. Окно за проверу уља

Да бисте сипали уље, предузмите следеће кораке:

1. Темељно очистите подручје око поклопаца резервоара за уље да бисте спречили да прљавштина уђе у резервоар за уље.

2. Поставите ланчану тестеру на страну.

3. Притисните дугме на поклопу резервоара за уље тако да се дугме на другој страни подигне, а затим уклоните поклопац резервоара за уље тако што ћете га окренути.

► **Слика23:** 1. Поклопац резервоара за уље
2. Затезање 3. Отпуштање

- Напуните резервоар за уље. Одговарајућа количина уља износи 260 мл.
- Чврсто притегните поклопац резервоара за уље натраг.
- Пажљиво обришите сво проливено уље за ланац.

НАПОМЕНА: Ако имате потешкоћа при уклањању поклопца резервоара за уље, уметните окасти кључ у отвор поклопца резервоара за уље, а затим уклоните поклопац резервоара за уље тако што ћете га окренути улево.

► **Слика24:** 1. Отвор 2. Окасти кључ

Након пуњења, држите ланчану тестеру даље од дрвета. Покрените је и сачекајте да подмазивање ланца тестере буде адекватно.

► **Слика25**

Рад са ланчаном тестером

ПАЖЊА: Лица која први пут користе алат требало би да пре тога вежбају резање цепањем на постољу за тестерисање.

ПАЖЊА: При тестерисању полуготове дрвене грађе користите сигуран ослонац (постоље за тестерисање). Немојте држати предмет обраде стопалом и не дозволите никоме да га држи или придржава.

ПАЖЊА: Причврстите округле предмете да се не би окретали.

ПАЖЊА: Све делове тела држите даље од ланца тестере када мотор ради.

ПАЖЊА: Чврсто држите ланчану тестеру обема рукама када мотор ради.

ПАЖЊА: Немојте се нагињати. Увек морате имати одговарајући ослонац и одржавати равнотежу.

ОБАВЕШТЕЊЕ: Никада немојте бацати или испуштати алат.

ОБАВЕШТЕЊЕ: Немојте прекривати отворе алата.

Пре укључивања, поставите доњу ивицу тела ланчане секире у контакт са граном која ће се резати. У супротном може да дође до подрхтавања водилице ланца и повреде руковаоца. Тестерите дрво тако што ћете га сећи померањем на доле помоћу тежине ланчане тестере.

► **Слика26**

Ако не можете да одсечете дрво једним резом: Лагано притисните ручку и наставите са тестерисањем повлачећи ланчану тестеру мало уназад; затим поставите зупчasti граничник мало ниже и завршите рез подизањем ручице.

► **Слика27**

Сечење трупаца

1. Положите доњу ивицу тела ланчане тестере на дрво које ћете сећи.

► **Слика28**

2. Док се ланац тестере окреће засеците у дрво користећи задњу ручку за подизање тестере, а предњу за вођење. Употребљавајте зупчasti граничник као стожер.

3. Наставите рез примењујући слаби притисак на предњу ручку, благо попуштајући притисак на задњи део тестере. Померајте зупчasti граничник даље дуж дебла, а затим наово подиђните предњу ручку.

ОБАВЕШТЕЊЕ: Као правите неколико резова, искључите ланчану тестеру између резова.

ПАЖЊА: Ако горњу ивицу водилице ланца употребљавате за резање, ланчана тестера може да скрене ка вама ако се ланац заглави. Из тог разлога тестерите доњом ивицом тако да тестера скрене далеко од вашег тела.

► **Слика29**

Када тестерите дрво под напоном, најпре сеците страну под притиском (А). Затим изведите завршни рез на страни напона (Б). Уво спречава заглављивање водилице ланца.

► **Слика30**

Орезивање грана

ПАЖЊА: Само увежбане особе могу да орезују гране. Потенцијалну опасност представља повратни удар.

Приликом орезивања грана ослоните ланчану тестеру о дебло, ако је могуће. Немојте да тестерите врхом водилице ланца јер постоји опасност од повратног удара. Обратите посебну пажњу на гране под напоном. Немојте да режете неподупрте гране са доње стране. Приликом орезивања грана немојте да стојите на обореном стаблу.

Урезивање и тестерисање паралелно са влакнима

ПАЖЊА: Урезивање и тестерисање паралелно са влакнима могу да обављају само посебно обучене особе. Могућност повратног удара представља ризик од повреде.

Тестерисање паралелно са влакнима изводите под што мањим углом. Посебно водите рачуна приликом извођења резова када зупчasti граничник не може да се користи.

► **Слика31**

Обарање дрвећа

ПАЖЊА: Само увежбане особе могу да обарају дрвеће. Овај поступак је опасан.

Придржавајте се локалних прописа ако желите да обарате дрвеће.

► **Слика32:** 1. Област обарања дрвећа

- Пре него што почнете да обарате дрво, уверите се:
 - да се у близини налазе само особе укључене у посао обарања дрвета;
 - да све особе које учествују у обарању дрвета располажу путањом за несметано повлачење кроз подручје од приближно 45° са сваке стране осе обарања. Узмите у обзир и додатни ризик од спотицања преко електричних каблова;

- да је подножје стабла ослобођено од страних предмета, корења и граница;
 - да на удаљености од 2 1/2 дужине стабла нема особа или предмета у смеру у коме ће стабло пасти.
- Узмите у обзир следеће услове приликом обарања одређеног дрвета:
- смер нагнутости;
 - климаве или суве гране;
 - висину дрвета;
 - природну савијеност дрвета;
 - да ли је дрво труло или није.
- Узмите у обзир брзину и смер ветра. Немојте да обарате дрвеће ако ветар јако дува.
- Поткресивање испупченог корења: почните са највећим испупчењем. Прво изведите вертикални рез, а затим хоризонтални.
- Станите бочно у односу на дрво које пада. Нека подручје иза дрвета које обарате буде чисто до угла од 45° са обе стране осе дрвета (погледајте слику „подручја обарања“). Обратите пажњу на гране које падају.
- Потребно је испланирати и раширити путању за спасавање пре него што почнете са било којим сечењем. Путања за спасавање треба да досеже уназад и дијагонално од задњег дела очекиване линије пада као што је илустровано на слици.
- **Слика33:** 1. Смер обарања дрвећа 2. Опасна зона 3. Излаз за случај опасности

Пратите следећи поступак приликом обарања дрвећа:

1. Урежите засек што ближе земљи. Прво направите хоризонтални рез до дубине од 1/5–1/3 пречника стабла. Немојте да правите сувише велики засек. Затим изведите дијагонални рез.

► **Слика34**

НАПОМЕНА: Засек одређује смер пада дрвета и води га. Прави се на страни на коју дрво треба да падне.

2. Изведите задњи рез мало више од основног реза засека. Задњи рез мора да буде прецизно хоризонталан. Оставите приближно 1/10 пречника стабла између задњег реза и засека. Дрвена влакна у незарезаном делу стабла служе као шарка. На време убаците клинове у засек.

► **Слика35**

▲УПОЗОРЕЊЕ: Ни под којим условима немојте сећи директно кроз влакна. У супротном ће дрво пасти непроверено.

ОБАВЕШТЕЊЕ: Да би засек остао отворен, користите само пластичне или алуминијумске клинове. Употреба гвоздених клинова је забрањена.

Ношење алата

Увек поставите кочницу ланца и уклоните уложак батерије из алата пре него што носите алат. Затим поставите поклопац водилице ланца. Такође покријте уложак батерије поклопцем батерије.

- **Слика36:** 1. Поклопац водилице ланца
2. Поклопац батерије

ОДРЖАВАЊЕ

▲ПАЖЊА: Пре него што почнете с прегледом или одржавањем алата, искључите алат и уклоните уложак батерије.

▲ПАЖЊА: Када обављате радове провере или одржавања увек носите рукавице.

ОБАВЕШТЕЊЕ: Никад немојте да користите нафту, бензин, разређивач, алкохол и слична средства. Може доћи до губитка боје, деформације или оштећења.

БЕЗБЕДАН и ПОУЗДАН рад алата гарантујемо само ако поправке, свако друго одржавање или подешавање, препустите овлашћеном сервису компаније Makita или фабричком сервису, уз употребу оригиналних резервних делова компаније Makita.

Оштрење ланчане тестере

Наоштрите ланац тестере у следећим ситуацијама:

- када се ствара брашнаста прашина услед тестерисања влажног дрвета;
- када ланац тешко продире у дрво чак и када примените јак притисак;
- када су резне ивице очигледно оштећене;
- Када тестера вуче улево или удесно у дрво. (до чега доводи неравномерна наоштреност ланца тестере или оштећење само једне стране)

Често оштрите ланац тестере, али сваки пут по мало. Обично су два или три покрета турпијом довољна за рутинско оштрење. Ако сте више пута сами оштрили ланац тестере, нека га наоштри овлашћени сервисни центар.

Критеријуми за оштрење:

▲УПОЗОРЕЊЕ: Превелико растојање између резне ивице и граничника дубине повећава ризик од повратног удара.

- **Слика37:** 1. Дужина зубаца 2. Растојање између резне ивице и граничника дубине
3. Минимална дужина зубаца (3 мм)

- Сви зупци морају да буду једнаке дужине. Зупци различитих дужина доводе до неравномерног рада ланца тестере и могу да изазову лом ланца тестере.
- Немојте оштрити ланац кад дужина зубаца спадне на 3 мм или мање. Ланац се мора заменити новим.

- Дебљина иверке одређена је удаљеношћу између граничника дубине (округли предњи део) и резне ивице.
- Најбољи резултати резања добијају се код следећих растојања између резне ивице и граничника дубине.
 - Оштрица ланца 91PX: 0,65 мм
 - Оштрица ланца 80TXL: 0,65 мм

► **Слика38**

- Угао оштрења од 30° мора да буде исти на свим зупцима. Различити углови зубаца могу да доведу до неравног и неравномерног рада ланца, до убрзаног хабања и лома ланца.
- Користите одговарајућу округлу турпију како би могао да се одржава одговарајући угао оштрења зубаца.
 - Оштрица ланца 91PX : 55°
 - Оштрица ланца 80TXL: 55°

Турпија и вођење турпије

- Употребљавајте специјалну округлу турпију (додатни прибор) за ланац тестере да бисте наоштрили ланац. Обичне округле турпије нису одговарајуће.
- Пречник округле турпије за сваки ланац тестере је следећи:
 - Оштрица ланца 91PX: 4,0 мм
 - Оштрица ланца 80TXL: 4,0 мм
- Турпија треба да захвати зубец само приликом покрета унапред. Када турпију покрећете уназад, подигните је са зупца.
- Прво наоштрите најкраћи зубец. Потом дужина овог најкраћег зупца постаје стандардна за све остале зупце на ланцу тестере.
- Водите турпију као што је приказано на слици.

► **Слика39:** 1. Турпија 2. Ланац тестере

- Лакше ћете је водити ако употребљавате држач турпије (опциони додатни прибор). На држачу турпије уцртане су ознаке за правилан угао оштрења од 30° (поравнајте ознаке паралелно са ланцем тестере) и он ограничава дубину продирања (до 4/5 пречника турпије).

► **Слика40:** 1. Држач турпије

- После оштрења ланца проверите висину граничника дубине помоћу алата за мерење ланца (опциони додатни прибор).

► **Слика41**

- Уклоните сав истурени материјал, без обзира колико мали био, помоћу специјалне равне турпије (опциони додатни прибор).
- Поново заоблите предњи део граничника дубине.

Чишћење водилице ланца

У жлебу водилице ланца нагомилavaju се опилјци и пиљевина. Они могу да запуше жлеб и да ометају проток уља. Уклоните опилјке и пиљевину сваки пут кад оштрите или мењате ланац тестере.

► **Слика42**

Чишћење поклопца ланчаника

Опилјци и пиљевина ће се накупити испод поклопца ланчаника. Уклоните поклопац ланчаника и ланац тестере са алата, а затим очистите опилјке и пиљевину.

► **Слика43**

Чишћење отвора за избацивање уља

Током рада у отвору за избацивање уља могу да се нагомилaju ситне честице прашине. Ове честице прашине могу да ометају избацивање уља и доведу до недовољног подмазивања целог ланца тестере. У случају недовољног дотока уља до горњег дела водилице ланца, очистите отвор за избацивање уља на следећи начин.

1. Скините поклопац ланчаника и ланац тестере са алата.
2. Уклоните ситне честице прашине помоћу одвијача са равним врхом или сличног алата.

► **Слика44:** 1. Одвијач са равним врхом 2. Отвор за избацивање уља
3. Поставите уложак батерије у алат. Повуците окидач прекидача да бисте испрали нагомилане честице прашине из отвора за избацивање уља тако што ћете испустити уље за ланац.
4. Уклоните уложак батерије са алата. Поново поставите поклопац ланчаника и ланац тестере на алат.

Замена ланчаника

▲ПАЖЊА: Похабани ланчаник ће оштетити нови ланац тестере. У том случају замените ланчаник.

Пре постављања новог ланца проверите стање ланчаника.

► **Слика45:** 1. Ланчаник 2. Подручја која се троше

Увек монтирајте нови прстен за блокирање када мењате ланчаник.

► **Слика46:** 1. Прстен за блокирање 2. Ланчаник

ОБАВЕШТЕЊЕ: Постарајте се да ланчаник буде постављен на начин приказан на слици.

Одлагање алата

1. Очистите алат пре складиштења. Уклоните све опилјке и пиљевину са алата након скидања поклопца ланчаника.
2. Након чишћења алата, покрените га без оптерећења да бисте подмазали ланац тестере и водилицу ланца.
3. Покријте водилицу ланца поклопцем водилице ланца.
4. Испразните резервоар за уље.

Упутства за периодично одржавање

Да бисте обезбедили дуг век трајања, функционисање сигурносних уређаја и да бисте спречили оштећења, морате редовно да извршавате следеће радове одржавања. Гаранција ће важити само ако се описани радови редовно и исправно обављају. Ако то не поштујете, постоји опасност од незгода! Корисник ланчане тестере не сме да обавља радове на одржавању који нису описани у овом приручнику са упутствима. Све такве радове мора да обави наш овлашћени сервисни центар.

Проверите ставку / време рада	Пре рада	Свакодневно	Сваке седмице	На свака 3 месеца	Једном годишње	Пре складиштења
Ланчана тестера	Преглед.	✓	-	-	-	-
	Чишћење.	-	✓	-	-	-
	Проверите у овлашћеном сервисном центру.	-	-	-	-	✓
Ланца тестере	Преглед.	✓	-	-	-	-
	Наоштрите ако је потребно.	-	-	-	-	-
Водилица ланца	Преглед.	✓	✓	-	-	-
	Скините га са ланчане тестере.	-	-	-	-	-
Кочница за ланца	Проверите функционисање.	✓	-	-	-	-
	Редовно га носите у овлашћени сервисни центар на преглед.	-	-	-	✓	-
Подмазивање ланца	Проверите брзину довода уља.	✓	-	-	-	-
Окидач прекидача	Преглед.	✓	-	-	-	-
Полуга за ослобађање из блокираног положаја	Преглед.	✓	-	-	-	-
Поклопац резервоара за уље	Проверите затегнутост.	✓	-	-	-	-
Хватач ланца	Преглед.	-	-	✓	-	-
Завртњи и навртке	Преглед.	-	-	✓	-	-

РЕШАВАЊЕ ПРОБЛЕМА

Пре него што затражите поправку, најпре сами извршите преглед. Уколико наиђете на проблем који није објашњен у упутству, не покушавајте да расклопите алат. Уместо тога тражите поправке од овлашћених сервисних центара Makita и увек користите оригиналне Makita резервне делове приликом поправки.

Статус квара	Узрок	Радња
Ланчана тестера се не укључује.	Уложак батерије није постављен.	Поставите напуњени уложак батерије.
	Проблем са батеријом (низак напон).	Напуните уложак батерије. Ако пуњење не буде успешно, замените уложак батерије.
	Главни прекидач је искључен.	Ланчана тестера ће се аутоматски искључити ако се не користи одређени временски период. Поново укључите главни прекидач.
Ланчана тестера се не покреће.	Кочница ланца активирана.	Отпустите кочницу ланца.
Мотор престаје са радом после кратке употребе.	Ниво напуњености батерије је низак.	Напуните уложак батерије. Ако пуњење не буде успешно, замените уложак батерије.
Нема уља на ланцу.	Резервоар за уље је празан.	Напуните резервоар за уље.
	Жлеб за довођење уља је запрљан.	Очистите жлеб.
	Слабо довођење уља.	Подесите количину уља за довођење помоћу завртња за подешавање.
Ланчана тестера не постиже максимални бр. обртаја по мин.	Уложак батерије није правилно постављен.	Поставите уложак батерије као што је описано у овом приручнику.
	Снага батерије опада.	Напуните уложак батерије. Ако пуњење не буде успешно, замените уложак батерије.
	Погонски систем не ради како треба.	Обратите се овлашћеном сервисном центру у свом региону ради поправке.
Главна лампица трепери зеленом бојом.	Окидач прекидача је повучен у условима који нису погодни за рад.	Повуците окидач прекидача након што се главни прекидач укључи и кочница ланца отпусти.
Ланац се не зауставља чак ни када се активира кочница ланца: Одмах зауставите алат!	Похабана кочиона трака.	Обратите се овлашћеном сервисном центру у свом региону ради поправке.
Необичне вибрације: Одмах зауставите алат!	Олабављена водилица ланца или ланац тестере.	Подесите водилицу ланца и затегнутост ланца тестере.
	Квар на алату.	Обратите се овлашћеном сервисном центру у свом региону ради поправке.
Ланац тестере не може да се монтира.	Комбинација ланца тестере и ланчаника није исправна.	Употребите исправну комбинацију ланца тестере и ланчаника тако што ћете потражити спецификације у одговарајућем одељку.

ОПЦИОНИ ПРИБОР

⚠ПАЖЊА: Ова опрема и прибор су предвиђени за употребу са алатом Makita описаним у овом упутству за употребу. Употреба друге опреме и прибора може да доведе до повреда. Користите делове прибора или опрему искључиво за предвиђену намену.

Да бисте добили више детаља у вези са овим прибором, обратите се локалном сервисном центру компаније Makita.

- Ланац тестере
- Водилица ланца
- Поклопац водилице ланца
- Турпија
- Торба са алатом
- Makita оригинална батерија и пуњач

⚠УПОЗОРЕЊЕ: Ако купите водилицу ланца другачије дужине у односу на стандардну водилицу ланца, заједно с њом купите и одговарајући поклопац водилице ланца. Поклопац мора одговарати и у потпуности покривати водилицу ланца на ланчаној тестери.

НАПОМЕНА: Поједине ставке на листи могу бити укључене у садржај паковања алата као стандардна опрема. Оне се могу разликовати од земље до земље.

SPECIFICAȚII

Model:		UC014G	UC015G	UC016G	UC017G
Lungime totală (fără lamă de ghidare)		445 mm			
Tensiune nominală		Max. 36 V - 40 V cc.			
Greutate netă	*1	4,5 kg			
	*2	6,2 - 6,9 kg			
Lungime standard pentru lama de ghidare		300 mm	350 mm	400 mm	450 mm
Lungime recomandată pentru lama de ghidare		300 - 450 mm			
Tip de lanț de ferăstrău aplicabil (consultați tabelul de mai jos)		91PX 80TXL			
Roată de lanț (91PX)	Număr de dinți	6			
	Pas	3/8"			
Roată de lanț (80TXL)	Număr de dinți	7			
	Pas	0,325"			
Viteza lanțului		0 - 25,5 m/s (0 - 1.530 m/min)			
Volum rezervor ulei de lanț		260 cm ³			
Grad de protecție		IPX4			

• Datorită programului nostru continuu de cercetare și dezvoltare, specificațiile pot fi modificate fără o notificare prealabilă.

• Specificațiile pot varia în funcție de țară.

*1: Greutatea fără lanțul de ferăstrău, lama de ghidare, capacul lamei de ghidare, ulei și cartușul/cartușele acumulatorului.

*2: Greutatea combinată cea mai mică și cea mai mare, în conformitate cu procedura EPTA 01/2014. Greutatea poate diferi în funcție de accesoriu/accesorii, inclusiv cartușul/cartușele acumulatorului.

Combinăție de lanț de ferăstrău, lamă de ghidare și roată de lanț

Tip de lanț de ferăstrău		91PX			
Numărul organelor de transmisie		46	52	56	62
Lamă de ghidare	Lungime lamă de ghidare	300 mm	350 mm	400 mm	450 mm
	Lungime de tăiere	268 mm	324 mm	361 mm	418 mm
	Pas	3/8"			
	Etalon	1,3 mm			
	Tip	Bară frontală de roată dințată			
Roată de lanț	Număr de dinți	6			
	Pas	3/8"			

Tip de lanț de ferăstrău		80TXL			
Numărul organelor de transmisie		51	59	64	70
Lamă de ghidare	Lungime lamă de ghidare	300 mm	350 mm	400 mm	450 mm
	Lungime de tăiere	259 mm	325 mm	366 mm	416 mm
	Pas	0,325"			
	Etalon	1,1 mm			
	Tip	Bară frontală de roată dințată			
Roată de lanț	Număr de dinți	7			
	Pas	0,325"			

⚠️ AVERTIZARE: Utilizați combinația corespunzătoare de lamă de ghidare și lanț de ferăstrău. În caz contrar, există pericolul de rănire.

Cartușul acumulatorului și încărcătorul aplicabile

Cartușul acumulatorului	BL4040 / BL4050F* *: Acumulator recomandat
Încărcător	DC40RA / DC40RB / DC40RC

- Este posibil ca unele cartușe ale acumulatorilor și încărcătoare menționate mai sus să nu fie disponibile în funcție de regiunea dvs. de reședință.

⚠️ AVERTIZARE: Utilizați numai cartușele de acumulator și încărcătoarele enumerate mai sus. Utilizarea oricărui altor cartușe de acumulator și încărcătoare poate duce la rănire și/sau incendiu.










Sursă de alimentare cu conectare prin cablu recomandată

Bloc de alimentare portabil	PDC01
-----------------------------	-------

- Este posibil ca sursa/sursele de alimentare cu conectare prin cablu menționată(e) mai sus să nu fie disponibilă(e) în funcție de regiunea dumneavoastră de reședință.
- Înainte de a utiliza sursa de alimentare cu conectare prin cablu, citiți instrucțiunile și atenționările de pe aceasta.

Simboluri

Mai jos sunt prezentate simbolurile care pot fi utilizate pentru echipament. Asigurați-vă că înțelegeți sensul acestora înainte de utilizare.

	Citiți manualul de utilizare.
	Purtați ochelari de protecție.
	Purtați echipament de protecție pentru urechi.
	Purtați cască de protecție, ochelari și protecție pentru urechi.
	Lungime de tăiere maximă permisă
	Folosiiți întotdeauna ambele mâini atunci când utilizați ferăstrăul cu lanț.
	Fiiți atenți la reculul ferăstrăului cu lanț și evitați contactul cu vârful lamei.
	Direcția de deplasare a lanțului
	Ajustare ulei pentru lanțul de ferăstrău



Doar pentru țările din cadrul UE
Din cauza prezenței componentelor periculoase în echipament, deșeurile de echipamente electrice și electronice, acumulatorii și bateriile pot avea un efect negativ asupra mediului și sănătății umane.

Nu eliminați aparatele electrice și electronice sau bateriile împreună cu gunoii menajeri!

În conformitate cu Directiva europeană privind deșeurile de echipamente electrice și electronice, acumulatorii, bateriile și deșeurile de acumulatori și baterii, precum și cu adaptarea sa în legislația națională, deșeurile de echipamente electrice, de baterii și de acumulatori trebuie depozitate separat și eliminate la un centru de colectare separat pentru deșeurile municipale, care respectă reglementările privind protecția mediului.

Acest lucru este indicat prin simbolul care reprezintă o pubeză cu roți barată cu o cruce, aplicat pe echipament.



Nivel de putere acustică garantat în conformitate cu Directiva UE privind zgomotul emis de echipamentele utilizate în exterior.



Nivel de putere acustică în conformitate cu Regulamentul NSW al Australiei privind atenuarea zgomotului

Destinația de utilizare

Acest ferăstrău cu lanț este destinat pentru tăierea lemnului.

Zgomot

Nivelul de zgomot normal ponderat A determinat în conformitate cu EN62841-4-1:

Model UC014G

Nivel de presiune acustică (L_{pA}): 91 dB(A)

Nivel de putere acustică (L_{WA}): 102 dB (A)

Marjă de eroare (K): 3 dB(A)

Model UC015G

Nivel de presiune acustică (L_{pA}): 91 dB(A)

Nivel de putere acustică (L_{WA}): 102 dB (A)

Marjă de eroare (K): 3 dB(A)

Model UC016G

Nivel de presiune acustică (L_{pA}): 91 dB(A)

Nivel de putere acustică (L_{WA}): 102 dB (A)

Marjă de eroare (K): 3 dB(A)

Model UC017G

Nivel de presiune acustică (L_{pA}): 91 dB(A)

Nivel de putere acustică (L_{WA}): 102 dB (A)

Marjă de eroare (K): 3 dB(A)

NOTĂ: Valoarea (valorile) totală(e) a (ale) emisiilor de zgomot declarate a(u) fost măsurată(e) în conformitate cu o metodă de test standard și poate (pot) fi utilizată(e) pentru compararea unei unelte cu alta.

NOTĂ: Valoarea (valorile) totală(e) a (ale) emisiilor de zgomot declarate poate (pot) fi, de asemenea, utilizată(e) într-o evaluare preliminară a expunerii.

AVERTIZARE: Purtați echipament de protecție pentru urechi.

AVERTIZARE: Emisiile de zgomot în timpul utilizării efective a unelei electrice poate diferi de valoarea (valorile) nivelului declarat, în funcție de modul în care unealta este utilizată, în special ce fel de piesă este prelucrată.

AVERTIZARE: Asigurați-vă că identificați măsurile de siguranță pentru a proteja operatorul, acestea fiind bazate pe o estimare a expunerii în condiții reale de utilizare (luând în considerare toate părțile ciclului de operare, precum timpii în care unealta a fost oprită, sau a funcționat în gol, pe lângă timpul de declanșare).

Vibrații

Valoarea totală a vibrațiilor (suma vectorilor tri-axiali) determinată conform EN62841-4-1:

Model UC014G

Mod de lucru: tăiere lemn

Emisie de vibrații ($a_{h,w}$): 5,0 m/s²

Marjă de eroare (K): 1,5 m/s²

Model UC015G

Mod de lucru: tăiere lemn

Emisie de vibrații ($a_{h,w}$): 5,0 m/s²

Marjă de eroare (K): 1,5 m/s²

Model UC016G

Mod de lucru: tăiere lemn

Emisie de vibrații ($a_{h,w}$): 5,0 m/s²

Marjă de eroare (K): 1,5 m/s²

Model UC017G

Mod de lucru: tăiere lemn

Emisie de vibrații ($a_{h,w}$): 5,0 m/s²

Marjă de eroare (K): 1,5 m/s²

NOTĂ: Valoarea (valorile) totală(e) a (ale) nivelului de vibrații declarat a (au) fost măsurată(e) în conformitate cu o metodă de test standard și poate (pot) fi utilizată(e) pentru compararea unei unelte cu alta.

NOTĂ: Valoarea (valorile) totală(e) a (ale) nivelului de vibrații declarat poate (pot) fi, de asemenea, utilizată(e) într-o evaluare preliminară a expunerii.

AVERTIZARE: Nivelul de vibrații în timpul utilizării efective a unelei electrice poate diferi de valoarea (valorile) nivelului declarat, în funcție de modul în care unealta este utilizată, în special ce fel de piesă este prelucrată.

AVERTIZARE: Asigurați-vă că identificați măsurile de siguranță pentru a proteja operatorul, acestea fiind bazate pe o estimare a expunerii în condiții reale de utilizare (luând în considerare toate părțile ciclului de operare, precum timpii în care unealta a fost oprită, sau a funcționat în gol, pe lângă timpul de declanșare).

Declarație de conformitate CE

Numai pentru țările europene

Declarația de conformitate CE este inclusă ca Anexa A în acest manual de instrucțiuni.

AVERTIZĂRI DE SIGURANȚĂ

Avertismente generale de siguranță pentru mașinile electrice

AVERTIZARE: Citiți toate avertismentele privind siguranța, instrucțiunile, ilustrațiile și specificațiile furnizate cu această sculă electrică. Nerespectarea integrală a instrucțiunilor de mai jos poate cauza electrocutări, incendii și/sau vătămări corporale grave.

Păstrați toate avertismentele și instrucțiunile pentru consultări ulterioare.

Termenul „mașină electrică” din avertizări se referă la mașinile dumneavoastră electrice acționate de la rețea (prin cablu) sau cu acumulator (fără cablu).

Avertizări generale privind siguranța ferăstrăului cu lanț

- Țineți toate părțile corpului la distanță de lanțul ferăstrăului în timpul funcționării ferăstrăului. Înainte de a porni ferăstrăul cu lanț asigurați-vă că lanțul acestuia nu atinge nimic.** Un moment de neatenție în timp ce utilizați ferăstrăul cu lanț poate duce la prinderea hainelor sau corpului dumneavoastră în lanțul ferăstrăului.
- Țineți întotdeauna ferăstrăul cu lanț cu mâna dreaptă pe mânerul din spate și cu mâna stângă pe mânerul din față.** Ținerea ferăstrăului cu o configurație inversată a mâinilor crește riscul de rănire corporală și nu trebuie făcută niciodată.
- Țineți ferăstrăul cu lanț doar de suprafețele de prindere izolate, deoarece lanțul ferăstrăului poate intra în contact cu fire ascunse.** Lanțurile de ferăstrău care intră în contact cu un fir sub tensiune pot pune sub tensiune și componentele metalice expuse ale ferăstrăului cu lanț, existând pericolul ca operatorul să se electrocuteze.

4. **Purtați echipament de protecție pentru ochi. De asemenea, este recomandat să purtați echipament de protecție pentru auz, cap, mâini, labele picioarelor și picioare.** Echipamentul de protecție adecvat va reduce riscul rănirii personale din cauza resturilor proiectate sau a contactului accidental cu lanțul ferăstrăului.
5. **Nu utilizați un ferăstrău cu lanț în copaci, pe o scară, de pe un acoperiș sau de pe orice suport instabil.** Utilizarea unui ferăstrău cu lanț în acest mod ar putea conduce la vătămări personale grave.
6. **Sprijiți-vă întotdeauna ferm pe picioare și utilizați ferăstrăul cu lanț doar de pe o suprafață fixă, sigură și plană.** Suprafețele alunecoase sau instabile pot duce la pierderea echilibrului sau a controlului ferăstrăului cu lanț.
7. **Când tăiați o ramură care este tensionată aveți grijă la destinderea acesteia.** Atunci când este eliminată tensiunea din fibrele lemnului, ramura arcurii poate lovi operatorul și/sau poate conduce la pierderea controlului ferăstrăului cu lanț.
8. **Fiiți extrem de precauți atunci când tăiați tufișuri sau pomi tineri.** Materialul suplu poate prinde lanțul ferăstrăului și poate fi biciuit către dumneavoastră sau vă poate trage și dezechilibra.
9. **Transportați ferăstrăul cu lanț ținându-l de mânerul din față, oprit și la depărtare de corpul dumneavoastră. Când transportați sau depozitați ferăstrăul cu lanț, montați întotdeauna capacul lamei de ghidare.** Manipularea adecvată a ferăstrăului cu lanț va reduce probabilitatea contactului accidental cu lanțul în mișcare al ferăstrăului.
10. **Respectați instrucțiunile pentru lubrifiere, tensionarea lanțului și schimbarea lamei și a lanțului.** Lanțul tensionat sau lubrifiat necorespunzător se poate rupe sau poate crește posibilitatea producerii unui recul.
11. **Tăiați numai lemn. Nu folosiți ferăstrăul cu lanț în alte scopuri decât cele pentru care a fost destinat. De exemplu: nu utilizați ferăstrăul cu lanț pentru tăierea metalelor, a plasticului, a zidăriei sau a materialelor de construcție care nu sunt lemnoase.** Utilizarea ferăstrăului cu lanț pentru operațiuni diferite de cele pentru care a fost destinat poate avea ca rezultat producerea unei situații periculoase.
12. **Nu încercați să tăiați un copac înainte de a înțelege riscurile și modalitățile prin care le puteți evita.** Operatorul sau trecătorii pot suferi vătămări grave la tăierea unui copac.
13. **Cauzele și modul de prevenire al reculului:** Reculul poate apărea atunci când ciocul sau vârful lamei de ghidare atinge un obiect sau când lemnul se strânge și prinde lanțul ferăstrăului în tăietură. În unele cazuri, contactul vârfului poate produce o reacție inversă neașteptată, smucind lama de ghidare în sus și înapoi, pe direcția operatorului. Strangularea lanțului ferăstrăului de-a lungul părții superioare a lamei de ghidare poate împinge brusc lama de ghidare înapoi spre operator.

Oricare dintre aceste reacții poate produce pierderea controlului asupra ferăstrăului, ceea ce poate produce vătămarea corporală gravă. Nu vă bazați exclusiv pe dispozitivele de siguranță încorporate în ferăstrău. Ca utilizator de ferăstrău cu lanț, trebuie să parcurgeți câteva etape pentru a menține activitatea de tăiere fără accidente sau răniri. Reculul este rezultatul utilizării incorecte a ferăstrăului cu lanț și/sau al unor proceduri sau condiții de lucru necorespunzătoare, putând fi evitat prin adoptarea unor măsuri de precauție adecvate, prezentate în continuare:

- **Mențineți o prindere fermă, cu degetele mari și celelalte degete înconjurând mânerul ferăstrăului cu lanț, cu ambele mâini pe ferăstrău și poziționați-vă corpul și brațul astfel încât să permiteți opunerea la forțele de recul.** Forțele de recul pot fi controlate de către operator, dacă sunt luate măsurile de precauție adecvate. Nu scăpați ferăstrăul cu lanț.

► Fig.1

- **Nu depășiți nivelul umărului și nu efectuați tăieri deasupra înălțimii umărului.** Aceasta vă va ajuta să preveniți contactul neintenționat al vârfului și va permite un control mai bun al ferăstrăului cu lanț în situații neprevăzute.
 - **Utilizați doar lamele de ghidare și lanțurile de ferăstrău de schimb specificate de producător.** Lamele de ghidare și lanțurile de ferăstrău de schimb incorecte pot cauza ruperea lanțului și/sau reculul.
 - **Pentru ascuțirea și întreținerea ferăstrăului cu lanț, respectați instrucțiunile producătorului.** Scăderea înălțimii indicatorului de adâncime poate conduce la reculul mărit.
14. **Urmați toate instrucțiunile atunci când curățați materialul blocat sau când depozitați sau efectuați lucrări de întreținere asupra ferăstrăului cu lanț. Asigurați-vă că întrerupătorul este oprit și că ați scos grupul de baterii.** Acționarea pe neașteptate a ferăstrăului cu lanț în timp ce îndepărtați materialul blocat sau efectuați lucrări de întreținere poate cauza vătămări corporale grave.

Instrucțiuni de siguranță suplimentare

Echipament individual de protecție

1. Îmbrăcămintea trebuie să fie strânsă pe corp, însă nu trebuie să incomodeze mișcările.
2. Folosiți următorul echipament de protecție în timpul lucrului:
 - O cască de protecție omologată, dacă există risc de cădere a crengilor sau alte riscuri similare;
 - O mască de protecție sau ochelari de protecție;
 - Mijloace de protecție a auzului adecvate (căști antifonice, dopuri pentru urechi personalizate sau modelabile). Analizor de octavă la cerere.
 - Mănuși de protecție din piele groasă;

- Pantaloni lungi fabricați din țesătură rezistentă;
- Salopetă de protecție din țesătură rezistentă la tăiere;
- Încălțăminte de protecție sau cizme cu tălpi antiderapante, bombeu de oțel și căptușeală din țesătură rezistentă la tăiere;
- O mască respiratoare, când executați lucrări cu degajare de praf (de exemplu, la tăierea lemnului uscat).

Operarea

1. **Înainte de începerea lucrului, verificați dacă ferăstrăul cu lanț funcționează corespunzător și dacă starea acestuia corespunde normelor de tehnică a securității. Verificați în special dacă:**
 - Frâna de lanț funcționează corect;
 - Frâna de siguranță funcționează corect;
 - Lama și apărătoarea roții de lanț sunt instalate corect;
 - Lanțul a fost ascuțit și tensionat în conformitate cu reglementările.
2. **Nu porniți ferăstrăul cu lanț cu apărătoarea de lanț instalată pe acesta.** Pornirea ferăstrăului cu lanț cu apărătoarea de lanț instalată poate duce la proiectarea în față a acesteia, rezultând răni și deteriorări ale obiectelor din jurul operatorului.
3. **Dacă folosiți mașina pe terenuri noroioase, pe pante umede sau în locuri alunecoase, fiți atenți la păstrarea echilibrului.**
4. **Nu introduceți mașina în bălți de apă.**
5. **Nu lăsați mașina nesupravegheată afară, în ploaie.**

Siguranța electrică și a acumulatorului

1. **Evitați mediile periculoase. Nu utilizați mașina în locații cu umezeală și nu o expuneți la ploaie.** Dacă intră apă în mașină, riscul electrocutării este mai mare.
2. **Nu aruncați acumulatorul(ii) în foc.** Elementul poate exploda. Consultați codurile locale pentru posibile instrucțiuni speciale privind eliminarea.
3. **Nu deschideți și nu dezmembrați acumulatorul(ii).** Electrolitul eliberat este coroziv și poate cauza afecțiuni ale pielii și ochilor. Acesta poate fi toxic dacă este înghițit.
4. **Nu încărcați bateria în ploaie sau în zone cu umezeală.**
5. **Nu încărcați acumulatorul în exterior.**
6. **Nu manipulați încărcătorul, inclusiv fișa și bornele acestuia, cu mâinile ude.**
7. **Nu înlocuiți acumulatorul pe timp de ploaie.**
8. **Nu înlocuiți acumulatorul cu mâinile umede.**
9. **Nu lăsați acumulatorul în ploaie și nu încărcați, nu utilizați sau nu depozitați acumulatorul într-un loc umed sau ud.**
10. **Nu umeziți bornele acumulatorului cu lichid precum apă și nu scufundați acumulatorul în apă.** Dacă bornele se udă sau intră lichid în acumulator, acumulatorul poate fi scurtcircuitat și există riscul de supraîncălzire, incendiu sau explozie.

11. **După ce scoateți acumulatorul din mașină sau din încărcător, asigurați-vă că atașați capacul acumulatorului la acumulator și că îl depozitați într-un loc uscat.**
12. **În cazul în care cartușul acumulatorului se udă, scurgeți apa din interior și ștergeți-l cu o cârpă uscată. Lăsați cartușul acumulatorului să se usuce complet într-un loc uscat, înainte de utilizare.**

Întreținere și depozitare

1. **Atunci când depozitați mașina, evitați expunerea directă a acesteia la lumina soarelui și la ploaie, și amplasați-o într-un loc în care nu se încălzește și nici nu se umezește.**

PĂSTRAȚI ACESTE INSTRUCȚIUNI.

⚠️ AVERTIZARE: NU permiteți comodității și familiarizării cu produsul (obținute prin utilizare repetată) să înlocuiască respectarea strictă a normelor de securitate pentru acest produs. FOLOSIREA INCORECTĂ sau nerespectarea normelor de securitate din acest manual de instrucțiuni poate provoca vătămări corporale grave.

Instrucțiuni importante privind siguranța pentru cartușul acumulatorului

1. **Înainte de a folosi cartușul acumulatorului, citiți toate instrucțiunile și atenționările de pe (1) încărcătorul acumulatorului, (2) acumulator și (3) produsul care folosește acumulatorul.**
 2. **Nu dezasaamblați și nu interveniți asupra cartușului acumulatorului.** Acest lucru poate cauza incendii, căldură excesivă sau explozii.
 3. **Dacă timpul de funcționare s-a redus excesiv, întrerupeți imediat funcționarea.** Aceasta poate prezenta risc de supraîncălzire, posibile arsuri și chiar explozie.
 4. **Dacă electrolitul pătrunde în ochi, clătiți bine ochii cu apă curată și consultați imediat un medic.** Există risc de orbire.
 5. **Nu scurtcircuitați cartușul acumulatorului:**
 - (1) Nu atingeți bornele cu niciun material conductor.
 - (2) Evitați depozitarea cartușului acumulatorului la un loc cu alte obiecte metalice cum ar fi cuie, monede etc.
 - (3) Nu expuneți cartușul acumulatorului la apă sau ploaie.
- Un scurtcircuit al acumulatorului poate provoca un flux puternic de curent electric, supraîncălzire, posibile arsuri și chiar defectarea mașinii.
6. **Nu depozitați și nu utilizați mașina și cartușul acumulatorului în locuri în care temperatura poate atinge sau depăși 50 °C (122 °F).**
 7. **Nu incinerati cartușul acumulatorului chiar dacă acesta este grav deteriorat sau complet uzat.** Cartușul acumulatorului poate exploda în foc.

8. **Nu introduceți cuie în cartușul acumulatorului, nu îl tăiați, striviți, aruncați sau scăpați și nu îl loviți cu un obiect dur.** Astfel de acțiuni pot provoca incendii, căldură excesivă sau explozii.
9. **Nu utilizați un acumulator deteriorat.**
10. **Acumulatorii Li-Ion încorporați se supun cerințelor Legislației privind substanțele periculoase.**
 Pentru transporturi comerciale, efectuate de exemplu de către părți terțe, expeditori, trebuie respectate cerințele speciale de ambalare și etichetare.
 Pentru pregătirea articolului care urmează să fie expedit, este necesară consultarea unui expert în materiale periculoase. Vă rugăm să respectați, de asemenea, reglementările naționale, care pot fi mai detaliate.
 Izolați sau acoperiți contactele deschise și împachetați acumulatorul în așa fel încât să nu se poată mișca în ambalaj.
11. **Atunci când eliminați la deșeuri cartușul acumulatorului, scoateți-l din mașină și eliminați-l într-un loc sigur. Respectați normele naționale privind eliminarea la deșeuri a acumulatorului.**
12. **Utilizați acumulatorii numai cu produsele specificate de Makita.** Instalarea acumulatorilor în produse neconforme poate cauza incendii, căldură excesivă, explozii sau scurgeri de electrolit.
13. **Dacă mașina nu este utilizată o perioadă lungă de timp, acumulatorul trebuie scos din acesta.**
14. **În timpul utilizării și după aceea, cartușul acumulatorului se poate încălzi, ceea ce poate cauza arsuri sau arsuri la temperaturi scăzute. Fiți atenți la manipularea cartușelor de acumulator atunci când sunt fierbinți.**
15. **Nu atingeți borna mașinii imediat după utilizare, întrucât se poate încălzi foarte tare și poate provoca arsuri.**
16. **Nu lăsați să pătrundă așchii, praf sau pământ în borne, în orificii și în canelurile cartușului acumulatorului.** Acest lucru poate provoca încălzirea, aprinderea, explozia și defectarea mașinii sau a cartușului acumulatorului, cauzând arsuri sau vătămări corporale.
17. **Nu utilizați cartușul acumulatorului în apropierea liniilor electrice de înaltă tensiune, cu excepția cazului în care mașina suportă utilizarea în apropierea liniilor electrice de înaltă tensiune.** Acest lucru poate duce la funcționarea necorespunzătoare sau la defectarea mașinii sau a cartușului acumulatorului.
18. **Țineți acumulatorul la distanță de copii.**

PĂSTRAȚI ACESTE INSTRUCȚIUNI.

ATENȚIE: Folosiți numai acumulatori Makita originali. Acumulatorii Makita care nu sunt originali și acumulatorii care au suferit modificări se pot aprinde, provocând incendii, leziuni corporale și daune. De asemenea, anulează garanția oferită de Makita pentru unele și încărcătorul Makita.

Sfaturi pentru obținerea unei durate maxime de exploatare a acumulatorului

1. **Încărcați cartușul acumulatorului înainte de a se descărca complet.** Întrerupeți întotdeauna funcționarea mașinii și încărcați cartușul acumulatorului când observați o scădere a puterii mașinii.
2. **Nu reîncărcați niciodată un acumulator complet încărcat.** Suprîncărcarea va scurta durata de exploatare a acumulatorului.
3. **Încărcați cartușul acumulatorului la temperatura camerei, între 10 °C - 40 °C (50 °F - 104 °F).** Lăsați un acumulator fierbinte să se răcească înainte de a-l încărca.
4. **Atunci când nu utilizați cartușul acumulatorului, scoateți-l din mașină sau din încărcător.**
5. **Încărcați cartușul acumulatorului în cazul în care nu a fost utilizat pe o perioadă mai lungă (mai mult de șase luni).**

DESCRIERE COMPONENTE

► Fig.2

1	Cartușul acumulatorului	2	Apărătoare anterioară pentru mână	3	Pârghie
4	Lamă de ghidare	5	Lanț de ferăstrău	6	Rondelă de reglare
7	Indicator alimentare principală	8	Întrerupător de alimentare principal	9	Pârghie de blocare
10	Mâner posterior	11	Buton declanșator	12	Mâner anterior
13	Bușon rezervor ulei	14	Capac lamă de ghidare	15	Șurub de reglare (pentru pompa de ulei)
16	Opritor de lanț	-	-	-	-

DESCRIEREA FUNCȚIILOR

ATENȚIE: Asigurați-vă întotdeauna că mașina este oprită și cartușul acumulatorului este scos înainte de a ajusta sau verifica funcționarea mașinii.

Instalarea sau scoaterea cartușului acumulatorului

ATENȚIE: Opriti întotdeauna mașina înainte de montarea sau demontarea cartușului de acumulator.

ATENȚIE: Țineți ferm mașina și cartușul acumulatorului la montarea sau demontarea cartușului. În cazul în care nu țineți ferm mașina și cartușul de acumulator, acestea vă pot aluneca din mâini, rezultând defectarea mașinii și cartușului de acumulator, precum și în accidentări personale.

► **Fig.3:** 1. Indicator roșu 2. Buton 3. Cartușul acumulatorului

Pentru a scoate cartușul acumulatorului, glisați-l din mașină în timp ce glisați butonul de pe partea frontală a cartușului.

Pentru a monta cartușul acumulatorului, aliniați limba de pe cartușul acumulatorului cu canalul din carcasă și introduceți-l în locaș. Introduceți-l complet, până când se înclichetează în locaș. Dacă vedeți indicatorul roșu, astfel cum se arată în imagine, acesta nu este blocat complet.

ATENȚIE: Instalați întotdeauna cartușul acumulatorului complet, până când indicatorul roșu nu mai este vizibil. În caz contrar, acesta poate cădea accidental din mașină provocând rănirea dumneavoastră sau a persoanelor din jur.

ATENȚIE: Nu forțați cartușul acumulatorului la montare. Dacă acesta nu glisează ușor, înseamnă că a fost introdus incorect.

Indicarea capacității rămase a acumulatorului

Apăsăți butonul de verificare de pe cartușul acumulatorului, astfel încât să se indice capacitățile rămase ale acumulatorului. Lămpile indicatorului vor lumina timp de câteva secunde.

► **Fig.4:** 1. Lămpi indicatoare 2. Buton de verificare

Lămpi indicatoare			Capacitate rămasă
Iluminat	Oprit	Iluminare intermitentă	
■ ■ ■ ■			între 75% și 100%
■ ■ ■ □			între 50% și 75%
■ ■ □ □			între 25% și 50%
■ □ □ □			între 0% și 25%
▬ □ □ □			Încărcați acumulatorul.
■ ■ □ □		↑ ↓	Este posibil ca acumulatorul să fie defect.

NOTĂ: În funcție de condițiile de utilizare și temperatura ambientală, indicația poate fi ușor diferită de capacitatea reală.

NOTĂ: Prima lampă indicatoare (extremitatea stângă) va lumina intermitent când sistemul de protecție a acumulatorului funcționează.

Sistem de protecție mașină/acumulator

Mașina este prevăzută cu un sistem de protecție mașină/acumulator. Acest sistem întrerupe automat alimentarea motorului pentru a extinde durata de funcționare a mașinii și acumulatorului. Mașina se va opri automat în timpul funcționării dacă mașina sau acumulatorul se află într-una din situațiile următoare:

Protecție la suprasarcină

Atunci când acumulatorul este utilizat într-un mod care cauzează un consum de curent neobișnuit de ridicat, mașina se va opri automat și indicatorul sursei de alimentare principale emite o lumină verde intermitentă. În această situație, opriți mașina și întrerupeți aplicația care a dus la suprasolicitarea mașinii. Apoi, reporniți mașina.

Protecție la supraîncălzire

Dacă mașina sau acumulatorul se supraîncălzeste, mașina se oprește automat și indicatorul sursei de alimentare principale emite o lumină roșie. În acest caz, lăsați mașina și acumulatorul să se răcească înainte de a reporni mașina.

NOTĂ: În medii cu temperaturi ridicate, este posibil ca protecția la supraîncălzire să nu funcționeze, iar mașina se oprește automat.

Protecție la supradescărcare

În cazul în care capacitatea acumulatorului nu este suficientă, mașina se oprește automat și indicatorul sursei de alimentare emite o lumină roșie intermitentă. În acest caz, scoateți acumulatorul din mașină și încărcați-l.

Măsurile de protecție împotriva altor cauze

Sistemul de protecție este, de asemenea, conceput pentru alte cauze care ar putea deteriora mașina și permite mașinii să se oprească automat. Parcurgeți toți pașii următori pentru a elimina cauzele, atunci când mașina a fost oprită temporar sau a fost scoasă din funcțiune.

1. Opriti mașina, apoi porniți-o din nou pentru a relua activitatea.
2. Încărcați acumulatorul (acumulatorii) sau înlocuiți-l (înlocuiți-i) cu un acumulator (acumulatori) încărcat (încărcați).
3. Lăsați mașina și acumulatorul (acumulatorii) să se răcească.

Dacă nu se poate observa nicio îmbunătățire prin resetarea sistemului de protecție, contactați centrul local de service Makita.

NOTĂ: Dacă mașina se oprește dintr-o cauză diferită de cele prezentate mai sus, consultați secțiunea referitoare la depanare.

Înterupător de alimentare principal

AVERTIZARE: Opriti întotdeauna înterupătorul de alimentare principal atunci când nu utilizați unealta.

Pentru a porni mașina, apăsați înterupătorul de alimentare principal. Indicatorul de alimentare principal emite o lumină verde. Pentru oprire, apăsați din nou înterupătorul de alimentare principal.

- **Fig. 5:** 1. Indicator alimentare principală
2. Înterupător de alimentare principal

NOTĂ: Indicatorul sursei de alimentare principale emite o lumină verde intermitentă dacă butonul declanșator este tras în condiții de nefuncționare. Indicatorul luminează intermitent în următoarele circumstanțe.

- Atunci când porniți înterupătorul de alimentare principal în timp ce apăsați în jos pe pârghia de blocare și pe butonul declanșator.
- Atunci când trageți butonul declanșator în timp ce frâna de lanț este aplicată.
- Atunci când eliberați frâna de lanț în timp ce apăsați în jos pe pârghia de blocare și trageți butonul declanșator.

NOTĂ: Această mașină este dotată cu funcția de oprire automată. Pentru a evita pornirea neintenționată, înterupătorul de alimentare principal se va închide automat dacă butonul declanșator nu este tras pentru o anumită perioadă de timp după pornirea acestuia.

Aționarea înterupătorului

AVERTIZARE: Pentru siguranța dumneavoastră, această mașină este echipată cu o pârghie de deblocare care previne pornirea neintenționată. Nu utilizați NICIODATĂ mașina dacă aceasta pornește la simpla tragere a butonului declanșator, fără a apăsa pârghia de deblocare. Returnați unealta la un centru de service autorizat pentru efectuarea reparațiilor corespunzătoare ÎNAINTE de a continua utilizarea acesteia.

AVERTIZARE: Nu blocați NICIODATĂ pârghia de deblocare cu bandă adezivă și nu dezactivați NICIODATĂ scopul sau funcția acesteia.

ATENȚIE: Înainte de a introduce cartușul acumulatorului în mașină, verificați întotdeauna dacă butonul declanșator funcționează corect și revine în poziția „OFF” (oprit) când este eliberat.

NOTĂ: Nu trageți puternic butonul declanșator fără a apăsa pârghia de deblocare. Butonul se poate rupe.

Pentru a preveni acționarea accidentală a butonului declanșator, este prevăzută o pârghie de blocare. Pentru a porni mașina, apăsați pârghia de blocare și acționați butonul declanșator. Viteza mașinii poate fi crescută prin creșterea forței de apăsare pe butonul declanșator. Eliberați butonul declanșator pentru a opri mașina.

- **Fig. 6:** 1. Buton declanșator 2. Pârghie de blocare

Verificarea frânei de lanț

ATENȚIE: Țineți ferăstrăul cu lanț cu ambele mâini atunci când îl porniți. Apucați mânerul posterior cu mâna dreaptă și mânerul frontal cu mâna stângă. Lama și lanțul nu trebuie să fie în contact cu niciun obiect.

ATENȚIE: Dacă lanțul de ferăstrău nu se oprește imediat la executarea acestui test, nu este permisă în niciun caz utilizarea ferăstrăului. Consultați centrele noastre de service autorizate.

1. Apăsați mânerul de blocare, apoi trageți butonul declanșator. Lanțul de ferăstrău pornește imediat.
2. Împingeți apărătoarea frontală a mâinii înainte cu spatele mâinii. Asigurați-vă că ferăstrăul cu lanț se oprește imediat.

- **Fig. 7:** 1. Apărătoare anterioară pentru mână
2. Poziție deblocat 3. Poziție blocat

Verificarea frânei de siguranță

ATENȚIE: Dacă ferăstrăul cu lanț nu se oprește în interval de o secundă la efectuarea acestui test, încetați utilizarea acestuia și consultați centrul nostru de service autorizat.

Porniți ferăstrăul cu lanț, apoi eliberați complet butonul declanșator. Lanțul de ferăstrău trebuie să se oprească în interval de o secundă.

Reglarea lubrifierii lanțului

Puteți regla debitul pompei de ulei cu ajutorul șurubului de reglare. Cantitatea de ulei poate fi reglată folosind cheia universală.

► **Fig.8:** 1. Șurub de reglare

ASAMBLARE

⚠ATENȚIE: Asigurați-vă întotdeauna că mașina este oprită și cartușul acumulatorului este scos înainte de a executa orice lucrări la mașină.

⚠ATENȚIE: Nu atingeți lanțul ferăstrăului cu mâinile goale. Purtați întotdeauna mănuși atunci când manipulați lanțul ferăstrăului.

Montarea sau demontarea lanțului de ferăstrău

⚠ATENȚIE: Lanțul de ferăstrău și lama de ghidare sunt în continuare fierbinți după operare. Lăsați-le să se răcească suficient înainte de a efectua orice lucrări pe unealtă.

⚠ATENȚIE: Efectuați procedeul de montare sau demontare a lanțului de ferăstrău într-un loc curat, fără rumeguș sau alte materii asemănătoare.

Montarea lanțului de ferăstrău

Pentru a monta lanțul de ferăstrău, efectuați următorii pași:

1. Eliberați frâna de lanț, trăgând apărătoarea frontală pentru mână.
2. Trageți pârghia în sus în timp ce presați marginea acestuia.
► **Fig.9:** 1. Pârghie
3. Rotiți pârghia înspre stânga până când apărătoarea roții de lanț se desprinde.
► **Fig.10:** 1. Pârghie 2. Capacul roții de lanț
4. Scoateți capacul roții de lanț.
5. Verificați direcția lanțului de ferăstrău. Potrivii direcția lanțului de ferăstrău cu cea a marcajului de pe corpul ferăstrăului cu lanț.
► **Fig.11:** 1. Marcajul de pe corpul ferăstrăului cu lanț
6. Montați un capăt al lanțului de ferăstrău în partea de sus a lamei de ghidare.
7. Montați celălalt capăt al lanțului de ferăstrău în jurul roții de lanț, apoi atașați lama de ghidare pe corpul ferăstrăului cu lanț.
► **Fig.12:** 1. Roată de lanț
8. Rotiți rondela de reglare în direcția "-" pentru a deplasa știftul de reglare în direcția săgeții.
► **Fig.13:** 1. Rondelă de reglare 2. Știft de reglare
9. Amplasați capacul roții dințate pe lanțul de ferăstrău, astfel încât știftul de reglare să fie poziționat într-un orificiu mic pe lama de ghidare.
► **Fig.14:** 1. Capacul roții de lanț 2. Lamă de ghidare 3. Orificiu

10. Rotiți pârghia complet înspre dreapta și rotiți puțin pârghia înapoi pentru reglarea tensionării lanțului.

11. Reglați tensionarea lanțului. Pentru procedură, consultați secțiunea referitoare la reglarea tensionării lanțului de ferăstrău.

12. Rotiți pârghia înspre dreapta până când capacul roții de lanț este fixat, apoi aduceți pârghia la poziția inițială.

► **Fig.15:** 1. Pârghie 2. Capacul roții de lanț

Demontarea lanțului de ferăstrău

Pentru a demonta lanțul de ferăstrău, efectuați pașii de mai jos:

1. Eliberați frâna de lanț, trăgând apărătoarea frontală pentru mână.

2. Rotiți rondela de reglare în direcția "-" pentru a reduce tensionarea lanțului de ferăstrău.

► **Fig.16:** 1. Rondelă de reglare

3. Trageți pârghia în sus în timp ce presați marginea acestuia.

► **Fig.17:** 1. Pârghie

4. Rotiți pârghia înspre stânga până când apărătoarea roții de lanț se desprinde.

► **Fig.18:** 1. Pârghie 2. Capacul roții de lanț

5. Îndepărtați capacul roții de lanț, apoi îndepărtați lanțul ferăstrăului și lama de ghidare din corpul ferăstrăului.

Reglarea tensionării lanțului de ferăstrău

⚠ATENȚIE: Efectuați procedeul de montare sau demontare a lanțului de ferăstrău într-un loc curat, fără rumeguș sau alte materii asemănătoare.

⚠ATENȚIE: Nu strângeți excesiv lanțul de ferăstrău. Tensionarea excesivă a lanțului de ferăstrău poate provoca ruperea acestuia, uzarea lamei de ghidare și ruperea rondelii de reglare.

⚠ATENȚIE: Un lanț prea slăbit poate sări de pe lamă, prezentând un șadar pericol de accidentare.

Lanțul de ferăstrău se poate detensiona după mai multe ore de utilizare. Verificați din când în când tensionarea lanțului de ferăstrău înainte de utilizare.

1. Trageți pârghia în sus în timp ce presați marginea acestuia.

► **Fig.19:** 1. Pârghie

2. Rotiți puțin pârghia înspre stânga pentru a elibera ușor capacul roții de lanț.

► **Fig.20:** 1. Pârghie 2. Capacul roții de lanț

3. Ridicați ușor vârful lamei de ghidare și reglați tensiunea lanțului. Rotiți rondela de reglare în direcția "-" pentru a slăbi, rotiți în direcția "+" pentru a strânge. Strângeți lanțul de ferăstrău până când partea inferioară a lanțului de ferăstrău se potrivește în șina lamei de ghidare, după cum este ilustrat.

► **Fig.21:** 1. Rondelă de reglare 2. Lamă de ghidare 3. Lanț de ferăstrău

4. Continuați să țineți ușor lama de ghidare și strângeți apăraoarea roții de lanț. Asigurați-vă că lanțul de ferăstrău nu este slăbit în partea de jos.

5. Readuceți pârghia în poziția inițială.

Asigurați-vă că lanțul de ferăstrău se fixează ferm pe partea inferioară a lamei.

OPERAREA

Lubrifierea

⚠ATENȚIE: Nu utilizați ferăstrăul cu lanț când rezervorul este gol. Realimentați cu ulei în timp util înainte ca rezervorul să se golească.

⚠ATENȚIE: Preveniți contactul uleiului cu pielea și ochii. Contactul cu ochii provoacă iritații. În cazul contactului cu ochii, clătiți imediat ochiul afectat cu apă curată, apoi consultați imediat un medic.

⚠ATENȚIE: Nu folosiți niciodată ulei rezidual. Uleiul rezidual conține substanțe cancerigene. Contaminanții din uleiul rezidual provoacă uzura accelerată a pompei de ulei, a lamei și a lanțului. Uleiul rezidual este dăunător mediului.

NOTĂ: Când ferăstrăul cu lanț este utilizat pentru prima oară, poate dura până la două minute ca uleiul pentru ferăstrăul cu lanț să își înceapă efectul de lubrifiere asupra mecanismului ferăstrăului. Până atunci, utilizați ferăstrăul fără sarcină.

NOTĂ: Atunci când alimentați ferăstrăul cu lanț pentru prima dată cu ulei de lanț sau când reumpleți rezervorul după golirea completă a acestuia, turnați ulei până la marginea inferioară a gâtului de umplere. În caz contrar, alimentarea cu ulei poate fi defectuoasă.

NOTĂ: Utilizați doar uleiul pentru ferăstrăul cu lanț Makita sau un ulei similar disponibil pe piață.

NOTĂ: Nu utilizați niciodată ulei cu praf sau particule sau ulei volatil.

NOTĂ: Când curățați arborii de crengi, utilizați întotdeauna ulei vegetal. Uleiul mineral poate fi dăunător pentru pomi.

NOTĂ: Înainte de tăiere, asigurați-vă că bușonul livrat al rezervorului de ulei este înșurubat la locul său.

Lanțul de ferăstrău este lubrifiat automat atunci când mașina este în funcțiune. Verificați periodic cantitatea de ulei rămasă în rezervor, prin vizorul de nivel al uleiului.

► **Fig.22:** 1. Bușon rezervor ulei 2. Vizor de nivel al uleiului

Pentru a alimenta cu ulei, urmați pașii de mai jos:

1. Curățați bine zona din jurul bușonului rezervorului de ulei pentru a preveni pătrunderea murdăriei în rezervorul de ulei.

2. Așezați ferăstrăul cu lanț pe o parte.

3. Apăsăți butonul de pe capacul rezervorului de ulei în așa fel încât butonul de pe cealaltă parte să se ridice și apoi scoateți capacul rezervorului de ulei rotindu-l.

► **Fig.23:** 1. Bușon rezervor ulei 2. Strângere 3. Slăbire

4. Umpleți cu ulei rezervorul de ulei. Cantitatea potrivită de ulei este de 260 ml.

5. Înșurubați bine la loc bușonul rezervorului de ulei.

6. Ștergeți cu grijă eventualul ulei de lanț vărsat.

NOTĂ: Dacă scoaterea capacului rezervorului de ulei este dificilă, introduceți cheia inelară în fanta din capacul rezervorului de ulei și apoi scoateți capacul rotindu-l spre stânga.

► **Fig.24:** 1. Fanta 2. Cheie inelară

După reumplere, țineți ferăstrăul cu lanț la distanță de pom. Porniți-l și așteptați până când lanțul de ferăstrău este lubrifiat corespunzător.

► **Fig.25**

Lucrul cu ferăstrăul cu lanț

⚠ATENȚIE: Înainte de începerea operațiilor, utilizatorul trebuie să efectueze, ca practică minimă, tăieri de încercare pe o capră de tăiat lemne sau un cadru suport.

⚠ATENȚIE: Când tăiați material lemnos pretăiat, utilizați un suport sigur (capră pentru tăiere sau un cadru suport). Nu sprijiniți piesa de lucru cu piciorul și nu permiteți nimănui altcuiva să o țină sau să o sprijine.

⚠ATENȚIE: Asigurați piesele rotunde să nu se rostogolească.

⚠ATENȚIE: Feriți toate părțile corpului din calea lanțului de ferăstrău în timpul funcționării motorului.

⚠ATENȚIE: Țineți ferm ferăstrăul cu lanț cu ambele mâini în timpul funcționării motorului.

⚠ATENȚIE: Nu vă întindeți excesiv. Mențineți-vă permanent echilibrul și sprijiniți-vă ferm pe picioare.

NOTĂ: Nu scuturați și nu aruncați niciodată unealta.

NOTĂ: Nu acoperiți aerisirile uneltei.

Așezați partea inferioară a corpului ferăstrăului cu lamă în contact cu creanga de tăiat înainte de a porni unealta. În caz contrar, lama de ghidare poate oscila, rezultând rănirea operatorului. Tăiați lemnul doar prin deplasarea ferăstrăului în jos, folosind greutatea acestuia.

► **Fig.26**

Dacă nu puteți tăia complet buștenii dintr-o singură mișcare:

Aplicați o ușoară presiune asupra mânerului și continuați să tăiați trăgând puțin înapoi ferăstrăul cu lanț; apoi aplicați bara de protecție dințată puțin mai jos și terminați tăierea prin ridicarea mânerului.

► **Fig.27**

Secționare

1. Așezați partea inferioară a corpului ferăstrăului pe lemnul de tăiat.

► Fig.28

2. Cu lanțul de ferăstrău în funcțiune, tăiați în lemn utilizând mânerul posterior pentru a ridica ferăstrăul și mânerul frontal pentru a-l ghida. Folosiți bara de protecție dințată pe post de pivot.

3. Continuați tăierea aplicând o ușoară presiune pe mânerul frontal, retrăgând ușor ferăstrăul. Mutați bara de protecție dințată în josul bușteanului și ridicați din nou mânerul frontal.

NOTĂ: Când executați mai multe tăieturi, opriți ferăstrăul cu lanț între acestea.

ATENȚIE: Dacă utilizați pentru tăiere marginea superioară a lamei, ferăstrăul cu lanț poate fi deviat în direcția dumneavoastră dacă lanțul se blochează. Din acest motiv, executați tăierea cu marginea inferioară astfel ca ferăstrăul să se îndepărteze de corpul dumneavoastră.

► Fig.29

Dacă tăiați lemn tensionat, mai întâi tăiați pe partea de compresiune (A). Apoi executați tăietura finală pe partea de tensiune (B). Această tehnică previne înțepenirea lamei.

► Fig.30

Debitare

ATENȚIE: Debitarea poate fi executată numai de persoane calificate. Există pericol din cauza riscului de recul.

Atunci când debitați, sprijiniți ferăstrăul cu lanț pe trunchi dacă este posibil. Nu tăiați cu vârful lamei deoarece prezintă risc de recul.

Acordați o atenție deosebită crengilor tensionate. Nu tăiați de dedesubt crengile nesuținute.

Nu vă urcați pe trunchiul doborât atunci când executați debitarea.

Scobirea și tăierea în lungul fibrei

ATENȚIE: Scobirea și tăierea în lungul fibrei pot fi executate numai de persoane cu pregătire specială. Posibilitatea de recul prezintă risc de vătămare.

Executați tăierile în lungul fibrei sub un unghi cât mai redus posibil. Acordați atenție deosebită atunci când efectuați tăietura, dat fiind că bara de protecție dințată nu poate fi utilizată.

► Fig.31

Doborâre

ATENȚIE: Lucrarea de doborâre poate fi executată numai de persoane calificate. Lucrarea este periculoasă.

Respectați reglementările locale dacă doriți să doborâți un arbore.

► Fig.32: 1. Zona de doborâre

- Înainte de a începe lucrarea de doborâre asigurați-vă că:
 - În apropiere se află numai persoanele implicate în operația de doborâre;
 - Toate persoanele implicate dispun de o rută de retragere fără obstacole pe o rază de circa 45° de-o parte și de cealaltă a axei de doborâre. Luați în considerare riscul suplimentar de împiedicare în cablurile electrice;
 - Baza trunchiului nu prezintă obiecte străine, rădăcini și crengi;
 - Nu există persoane sau obiecte prezente pe o distanță egală cu 2,5 lungimi de arbore în direcția de cădere a acestuia.
 - La fiecare arbore aveți în vedere următoarele:
 - Direcția de înclinare;
 - Crengi desprinse sau uscate;
 - Înălțimea arborelui;
 - Proeminența naturală;
 - Dacă arborele este putred sau nu.
 - Luați în considerare viteza și direcția vântului. Nu executați lucrări de doborâre dacă vântul suflă cu putere în rafale.
 - Curățarea protuberanțelor rădăcinilor: Începeți cu protuberanțele cele mai mari. Executați întâi tăietura verticală și apoi tăietura orizontală.
 - Poziționați-vă lateral față de arborele ce urmează a fi doborât. Eliberați zona din spatele arborelui ce urmează a fi doborât pe o rază de până la 45° de-o parte și de cealaltă a axului arborelui (consultați figura de la „zona de tăiere”). Atenție la crengile copacului doborât.
 - O cale de evacuare trebuie planificată și curățată, dacă este necesar, înainte de a începe activitățile de tăiere. Calea de evacuare trebuie să se lărgească înapoi și pe diagonală în spatele liniei de cădere preconizate, așa cum este ilustrat în figură.
- Fig.33: 1. Direcție de cădere 2. Zonă periculoasă 3. Traseu de evacuare

Atunci când efectuați activități de doborâre a copacilor, respectați procedurile de mai jos:

1. Tăiați o creștătură cât mai aproape posibil de sol. Executați mai întâi o tăietură orizontală până la o adâncime de 1/5 - 1/3 din diametrul trunchiului. Nu practicați o creștătură prea mare. Apoi executați tăietura diagonală.

► Fig.34

NOTĂ: Creștătura determină direcția în care se va prăbuși arborele și are rol de ghidare. Aceasta se practică pe partea orientată în direcția în care trebuie să cadă arborele.

2. Executați tăietura din spate puțin mai sus decât tăietura de bază a creștăturii. Tăietura din spate trebuie să fie perfect orizontală. Lăsați o distanță de circa 1/10 din diametrul trunchiului între tăietura din spate și creștătură. Fibrele lemnoase din porțiunea netăiată a trunchiului acționează ca o balama. Pe parcursul operației de tăiere, introduceți pene în tăietura din spate.

► Fig.35

⚠️AVERTIZARE: Nu tăiați în nicio circumstanță direct prin fibre. În caz contrar, arborele va cădea necontrolat.

NOTĂ: Utilizați doar pene din plastic sau aluminiu pentru menținerea deschisă a tăieturii din spate. Este interzisă utilizarea penelor din fier.

Transportarea uneltei

Înainte de transportarea mașinii, aplicați întotdeauna frâna de lanț și scoateți cartușul acumulatorului din mașină. Apoi atașați capacul lamei de ghidare. De asemenea, acoperiți cartușul acumulatorului cu capacul acumulatorului.

► Fig.36: 1. Capac lamă de ghidare 2. Capacul acumulatorului

ÎNȚREȚINERE

⚠️ATENȚIE: Asigurați-vă întotdeauna că mașina este oprită și cartușul acumulatorului scos înainte de a executa lucrările de inspecție și întreținere.

⚠️ATENȚIE: Purtați întotdeauna mănuși când executați orice lucrare de inspecție și întreținere.

NOTĂ: Nu utilizați niciodată gazolină, benzină, diluant, alcool sau alte substanțe asemănătoare. În caz contrar, pot rezulta decolorări, deformări sau fisuri.

Pentru a menține SIGURANȚA și FIABILITATEA produsului, reparațiile și orice alte lucrări de întreținere sau reglare trebuie executate de centre de service Makita autorizate sau proprii, folosind întotdeauna piese de schimb Makita.

Ascuțirea lanțului de ferăstrău

Ascuțiți lanțul de ferăstrău atunci când:

- La tăierea lemnului umed se produce rumeguș făinos;
- Lanțul penetrează lemnul cu dificultate, chiar dacă se aplică o forță puternică;
- Muchiile tăietoare sunt deteriorate vizibil;
- Ferăstrăul trage spre stânga sau spre dreapta la tăierea lemnului. (cauza este ascuțirea neuniformă a lanțului de ferăstrău, sau deteriorarea unei singure laturi)

Ascuțiți frecvent lanțul de ferăstrău, însă îndepărtați doar o cantitate mică de material de fiecare dată. Două sau trei curse ale pilei sunt suficiente de obicei pentru o ascuțire de rutină. După ce lanțul de ferăstrău a fost reascuțit de mai multe ori, solicitați ascuțirea acestuia la centrul nostru de service autorizat.

Criterii de ascuțire:

⚠️AVERTIZARE: O distanță excesivă între muchia de tăiere și indicatorul de adâncime crește riscul de recul.

► Fig.37: 1. Lungime cuțit 2. Distanță dintre muchia de tăiere și indicatorul de adâncime 3. Lungimea minimă a cuțitului (3 mm)

- Toate lungimile de cuțite trebuie să fie egale. Lungimile diferite ale cuțitelor împiedică funcționarea lină a lanțului ferăstrăului și poate duce la ruperea acestuia.
- Nu ascuțiți ferăstrăul dacă lungimea cuțitului a atins 3 mm sau mai puțin. Lanțul trebuie să fie înlocuit cu unul nou.
- Grosimea așchii este determinată de distanța dintre indicatorul de adâncime (ciocul rotund) și muchia tăietoare.
- Cele mai bune rezultate de tăiere se obțin cu următoarea distanță între muchia de tăiere și indicatorul de adâncime.
 - Lama lanțului 91PX: 0,65 mm
 - Lama lanțului 80TXL: 0,65 mm

► Fig.38

- Unghiul de ascuțire de 30° trebuie să fie identic pe toate cuțitele. Diferențele între unghiurile cuțitului cauzează o funcționare neuniformă a lanțului și uzarea accelerată a acestuia, conducând la ruperea lanțului.
- Utilizați o pilă rotundă potrivită pentru menținerea unghiului corespunzător de ascuțire contra dinților.
 - Lama lanțului 91PX : 55°
 - Lama lanțului 80TXL: 55°

Pila și ghidarea pilei

- Utilizați pentru ascuțirea lanțului o pilă rotundă specială (accesoriu opțional) pentru lanțuri de ferăstrău. Pilele rotunde normale nu sunt adecvate.
- Diametrul pilei rotunde pentru fiecare lanț de ferăstrău este următorul:
 - Lama lanțului 91PX: 4,0 mm
 - Lama lanțului 80TXL: 4,0 mm
- Pila trebuie să intre în contact cu cuțitul numai la cursa de avans. Ridicați pila de pe cuțit la cursa de revenire.
- Ascuțiți întâi cuțitul cel mai scurt. Apoi, lungimea acestui cel mai scurt cuțit devine standard pentru toate celelalte cuțite de pe lanțul de ferăstrău.
- Ghidați pila după cum se vede în figură.

► Fig.39: 1. Pilă 2. Lanț de ferăstrău

- Pila poate fi ghidată mai ușor dacă se folosește un suport de pilă (accesoriu opțional). Suportul de pilă dispune de marcaje pentru unghiul corect de ascuțire de 30° (alineați marcajele paralel cu lanțul de ferăstrău) și limitează adâncimea de penetrare (la 4/5 din diametrul pilei).

► Fig.40: 1. Suport pilă

- După ascuțirea lanțului, verificați înălțimea indicatorului de adâncime utilizând instrumentul de etalonare a lanțului (accesoriu opțional).

► Fig.41

- Îndepărtați orice proeminență de material, oricât de mică, cu o pilă plată specială (accesoriu opțional).
- Rotunjiți din nou muchia frontală a indicatorului de adâncime.

Curățarea lamei de ghidare

Așchiile și rumegușul se vor acumula în canelura lamei de ghidare. Acestea pot bloca canelura lamei de ghidare și pot periclita debitul de ulei. Eliminați întotdeauna așchiile și rumegușul atunci când ascuțiți sau înlocuiți lanțul de ferăstrău.

► Fig.42

Curățarea capacului roții de lanț

Așchiile și rumegușul se vor acumula în interiorul capacului roții de lanț. Îndepărtați capacul roții de lanț și lanțul ferăstrăului de pe unealtă, apoi curățați așchiile și rumegușul.

► Fig.43

Curățarea orificiului de evacuare ulei

În timpul funcționării, în orificiul de evacuare a uleiului se pot acumula particulele mici de praf sau impurități. Aceste particule mici de praf sau impurități pot perturba fluxul de evacuare a uleiului și pot cauza o lubrifiere insuficientă a întregului lanț de ferăstrău. Dacă intervine o alimentare defectuoasă cu ulei de lanț în partea superioară a lamei de ghidare, curățați orificiul de evacuare a uleiului după cum urmează.

1. Demontați apărătoarea roții de lanț și lanțul de ferăstrău de pe unealtă.
2. Îndepărtați particulele mici sau praful utilizând o șurubelniță cu cap crestată sau ceva asemănător.
► Fig.44: 1. Șurubelniță cu cap crestată 2. Orificiu de evacuare a uleiului
3. Introduceți în unealtă cartușul acumulatorului. Trageți butonul declanșator pentru a elimina, prin scurgerea uleiului de lanț, particulele de praf sau impurități acumulate în orificiul de evacuare a uleiului.
4. Scoateți cartușul acumulatorului din unealtă. Reinstalați apărătoarea roții de lanț și lanțul de ferăstrău pe unealtă.

Înlocuirea roții de lanț

⚠ATENȚIE: O roată de lanț uzată va deteriora un lanț de ferăstrău nou. Înlocuiți roata de lanț în acest caz.

Înainte de a instala un lanț de ferăstrău nou, verificați starea roții de lanț.

► Fig.45: 1. Roată de lanț 2. Zonele care pot fi uzate

Instalați întotdeauna un inel de blocare nou atunci când înlocuiți roata de lanț.

► Fig.46: 1. Inel de blocare 2. Roată de lanț

NOTĂ: Asigurați-vă că roata de lanț este montată după cum este prezentat în figură.

Depozitarea uneltei

1. Curățați unealta înaintea depozitării. Îndepărtați așchiile și rumegușul de pe unealtă după ce ați demontat apărătoarea roții de lanț.
2. După curățarea uneltei, utilizați mașina în gol pentru a lubrifia lanțul de ferăstrău și lama de ghidare.
3. Acoperiți lama de ghidare cu apărătoarea pentru lamă de ghidare.
4. Goliți rezervorul de ulei.

Instrucțiuni de întreținere periodică

Pentru a asigura o durată mare de viață, a preveni deteriorarea și a asigura funcționarea deplină a dispozitivelor de siguranță, următoarele operații de întreținere trebuie efectuate cu regularitate. Solicitățile de garanție pot fi luate în considerare numai dacă aceste lucrări sunt efectuate regulat și corespunzător. Nerespectarea efectuării lucrărilor de întreținere prescrise poate duce la accidente! Utilizatorul ferăstrăului cu lanț nu trebuie să efectueze lucrări de întreținere care nu sunt descrise în acest manual de instrucțiuni. Orice astfel de lucrări trebuie executate de centrul nostru de service autorizat.

Verificare element/Timp de funcționare		Înainte de operare	Zilnic	Săptămânal	La fiecare 3 luni	Anual	Înainte de depozitare
Ferăstrău cu lanț	Inspecție.	✓	-	-	-	-	-
	Curățarea.	-	✓	-	-	-	-
	Verificați la un centru de service autorizat.	-	-	-	-	✓	✓
Lanț de ferăstrău	Inspecție.	✓	-	-	-	-	-
	Ascuțiți, dacă este necesar.	-	-	-	-	-	✓
Lamă de ghidare	Inspecție.	✓	✓	-	-	-	-
	Înlăturați de pe ferăstrăul cu lanț.	-	-	-	-	-	✓
Frână de lanț	Verificați funcționarea.	✓	-	-	-	-	-
	A se verifica regulat la un atelier de service autorizat.	-	-	-	✓	-	-
Ungerea lanțului	Verificați rata de alimentare cu ulei.	✓	-	-	-	-	-
Buton declanșator	Inspecție.	✓	-	-	-	-	-
Pârghie de blocare	Inspecție.	✓	-	-	-	-	-
Bușon rezervor ulei	Verificați etanșeitatea.	✓	-	-	-	-	-
Opritor de lanț	Inspecție.	-	-	✓	-	-	-
Șuruburi și piulițe	Inspecție.	-	-	✓	-	-	-

DEPANARE

Înainte de a solicita reparații, efectuați mai întâi propria inspecție. În cazul în care găsiți o problemă care nu este explicată în manual, nu încercați să demontați echipamentul. În schimb, adresați-vă Centrelor de service autorizate Makita, utilizând întotdeauna piese de schimb Makita pentru reparații.

Stare defecțiune	Cauza	Acțiune
Ferăstrăul cu lanț nu pornește.	Cartușul acumulatorului nu este montat.	Montați un cartuș al acumulatorului încărcat.
	Problemă cu acumulatorul (tensiune scăzută).	Reîncărcați cartușul acumulatorului. Dacă reîncărcarea nu este eficientă, înlocuiți cartușul acumulatorului.
	Întreprupătorul de alimentare principal este oprit.	Ferăstrăul cu lanț este oprit automat dacă nu este utilizat pentru o anumită perioadă de timp. Porniți din nou întreprupătorul de alimentare principal.
Lanțul ferăstrăului nu funcționează.	Frâna de lanț activată.	Eliberați frâna de lanț.
Motorul se oprește din funcționare după puțin timp.	Nivelul de încărcare al acumulatorului este redus.	Reîncărcați cartușul acumulatorului. Dacă reîncărcarea nu este eficientă, înlocuiți cartușul acumulatorului.
Nu există ulei pe lanț.	Rezervorul de ulei este gol.	Umpleți rezervorul de ulei.
	Canalul de ghidare a uleiului este murdar.	Curățați canalul.
	Alimentare deficitară cu ulei.	Reglați debitul de ulei cu ajutorul șurubului de reglare.
Ferăstrăul cu lanț nu atinge turația maximă.	Cartușul acumulatorului este instalat necorespunzător.	Montați cartușul acumulatorului în modul descris în acest manual.
	Puterea acumulatorului se reduce.	Reîncărcați cartușul acumulatorului. Dacă reîncărcarea nu este eficientă, înlocuiți cartușul acumulatorului.
	Sistemul de acționare nu funcționează corect.	Solicitați asistența centrului service autorizat din regiunea dumneavoastră pentru reparații.
Indicatorul de alimentare principal emite o lumină verde intermitentă.	Butonul declanșator este tras în condiții de nefuncționare.	Trageți butonul declanșator după pornirea întreprupătorului de alimentare principal și după eliberarea frânei de lanț.
Lanțul nu se oprește chiar dacă frâna de lanț este activată: Oprțiți imediat mașina!	Banda de frânare este uzată.	Solicitați asistența centrului service autorizat din regiunea dumneavoastră pentru reparații.
Vibrații anormale: Oprțiți imediat mașina!	Slăbiți lama de ghidare sau lanțul de ferăstrău.	Ajustați tensiunea lamei de ghidare și a lanțului de ferăstrău.
	Defect unealtă.	Solicitați asistența centrului service autorizat din regiunea dumneavoastră pentru reparații.
Lanțul de ferăstrău nu poate fi montat.	Combinajia dintre lanțul de ferăstrău și roata de lanț nu este corectă.	Utilizați combinația corectă dintre lanțul de ferăstrău și roata de lanț consultând secțiunea Specificații.

ACCESORII OPȚIONALE

⚠ATENȚIE: Folosiți accesoriile sau piesele auxiliare recomandate pentru mașina dumneavoastră Makita în acest manual. Utilizarea oricăror alte accesorii sau piese auxiliare poate prezenta risc de vătămare corporală. Utilizați accesoriile și piesele auxiliare numai în scopul destinat.

Dacă aveți nevoie de asistență sau de mai multe detalii referitoare la aceste accesorii, adresați-vă centrului local de service Makita.

- Lanț de ferăstrău
- Lamă de ghidare

- Capac lamă de ghidare
- Pilă
- Geantă de scule
- Acumulator și încărcător original Makita

⚠AVERTIZARE: Dacă achiziționați o lamă de ghidare de lungime diferită față de lama de ghidare standard, achiziționați și o apărătoare corespunzătoare pentru aceasta. Aceasta trebuie să se potrivească și să acopere complet lama de ghidare de pe ferăstrăul cu lanț.

NOTĂ: Unele articole din listă pot fi incluse ca accesorii standard în ambalajul de scule. Acestea pot diferi în funcție de țară.

ТЕХНІЧНІ ХАРАКТЕРИСТИКИ

Модель:		UC014G	UC015G	UC016G	UC017G
Загальна довжина (без шини)		445 мм			445 мм
Номинальна напруга		від 36 до 40 В пост. струму макс			
Маса нетто	*1	4,5 кг			4,5 кг
	*2	6,2 – 6,9 кг			6,2–6,9 кг
Стандартна довжина шини		300 мм	350 мм	400 мм	450 мм
Рекомендована довжина шини		300–450 мм			
Застосовний тип пиляльного ланцюга (див. таблицю нижче)		91PX 80TXL			
Зірочка (91PX)	Кількість зубців	6			
	Крок	3/8"			
Зірочка (80TXL)	Кількість зубців	7			
	Крок	0,325"			
Швидкість ланцюга		0 — 25,5 м/с (0 — 1 530 м/хв)			0–25,5 м/с (0–1 530 м/хв)
Об'єм мастильного бака		260 см ³			260 см ³
Ступінь захисту		IPX4			

• Оскільки наша програма наукових досліджень і розробок триває безперервно, наведені тут технічні характеристики можуть бути змінені без попередження.

• У різних країнах технічні характеристики можуть бути різними.

*1: Вага без ланцюга для пили, шини, захисного кожуха шини, мастила й касет (касети) з акумулятором.

*2: Найлегші та найважчі комплекти, відповідно до процедури ЕРТА 01/2014. Вага може відрізнятися залежно від допоміжного обладнання; касети (касета) з акумулятором також є додатковим обладнанням.

Комбінація ланцюга для пили, шини й зірочки

Тип пиляльного ланцюга		91PX			
Кількість приводних ланок		46	52	56	62
Шина	Довжина шини	300 мм	350 мм	400 мм	450 мм
	Довжина різання	268 мм	324 мм	361 мм	418 мм
	Крок	3/8"			
	Шкала регулювання	1,3 мм			
	Тип	Шина з кінцевою зірочкою			
Зірочка	Кількість зубців	6			
	Крок	3/8"			

Тип пиляльного ланцюга		80TXL			
Кількість приводних ланок		51	59	64	70
Шина	Довжина шини	300 мм	350 мм	400 мм	450 мм
	Довжина різання	259 мм	325 мм	366 мм	416 мм
	Крок	0,325"			
	Шкала регулювання	1,1 мм			
	Тип	Шина з кінцевою зірочкою			
Зірочка	Кількість зубців	7			
	Крок	0,325"			

⚠ ПОПЕРЕДЖЕННЯ: Використовуйте належну комбінацію шини й ланцюгової пили. Інакше це може призвести до отримання травми.

Застосовна касета з акумулятором і зарядний пристрій

Касета з акумулятором	BL4040 / BL4050F* *: рекомендований акумулятор
Зарядний пристрій	DC40RA / DC40RB / DC40RC

- Деякі касети з акумулятором і зарядні пристрої, які вказано вище, можуть бути недоступними залежно від вашого регіону або місця перебування.

⚠ ПОПЕРЕДЖЕННЯ: Використовуйте лише касети з акумулятором і зарядні пристрої, зазначені вище. Використання будь-яких інших касет з акумулятором і зарядних пристроїв може призвести до травмування й/або пожежі.

Рекомендоване джерело енергопостачання з дротовим підключенням

Портативний блок живлення	PDC01
---------------------------	-------

- У деяких регіонах певні моделі джерел енергопостачання з дротовим підключенням, які вказано вище, можуть бути недоступні.
- Перед використанням джерела енергопостачання з дротовим підключенням прочитайте інструкції та попереджувальні написи на них.

Символи

Далі наведено символи, які можуть застосовуватися для позначення обладнання. Перед користуванням переконайтеся, що ви розумієте їхнє значення.

	Читайте інструкцію з експлуатації.
	Вдягайте захисні окуляри.
	Користуйтеся засобами захисту органів слуху.
	Обов'язково надягайте каску, захисні окуляри та засоби захисту органів слуху.
	Максимальна допустима довжина різання
	Під час роботи ланцюгову пилу слід тримати двома руками.
	Пам'ятайте про віддачу ланцюга для пили й уникайте контакту з кінчиком шини.
	Напрямок пересування ланцюга
	Регулювання змащування ланцюгової пили



Ni-MH
Li-Ion

Тільки для країн ЄС

Через наявність в обладнанні небезпечних компонентів відходи електричного та електронного обладнання, акумулятори та батареї можуть негативно впливати на навколишнє середовище та здоров'я людини.

Не викидайте електричні та електронні прилади або батареї разом з побутовими відходами!

Відповідно до директиви ЄС стосовно відходів електричного та електронного обладнання, акумуляторів, батарей та відходів акумуляторів і батарей, а також відповідно до її адаптації до національного законодавства, відходи електричного обладнання, батареї та акумулятори слід зберігати окремо й доставляти на пункт роздільного збору комунальних відходів, який працює з дотриманням правил охорони навколишнього середовища.

Це позначено символом у вигляді перекресленого сміттового контейнера з колесами, нанесеним на обладнання.



Гарантований рівень звукової потужності відповідно до Директиви ЄС щодо шумів поза приміщеннями.



Рівень звукової потужності відповідно до Регламенту Австралії (Новий Південний Уельс) з контролю за шумом

Призначення

Ланцюгова пила призначена для різання деревини.

Шум

Рівень шуму за шкалою А в типовому виконанні, визначений відповідно до стандарту EN62841-4-1:

Модель UC014G

Рівень звукового тиску (L_{pA}): 91 дБ (А)

Рівень звукової потужності (L_{WA}): 102 дБ (А)

Похибка (К): 3 дБ (А)

Модель UC015G

Рівень звукового тиску (L_{pA}): 91 дБ (А)

Рівень звукової потужності (L_{WA}): 102 дБ (А)

Похибка (К): 3 дБ (А)

Модель UC016G

Рівень звукового тиску (L_{pA}): 91 дБ (A)
Рівень звукової потужності (L_{WA}): 102 дБ (A)
Похибка (K): 3 дБ (A)

Модель UC017G

Рівень звукового тиску (L_{pA}): 91 дБ (A)
Рівень звукової потужності (L_{WA}): 102 дБ (A)
Похибка (K): 3 дБ (A)

ПРИМІТКА: Заявлене значення шуму було виміряно відповідно до стандартних методів тестування й може використовуватися для порівняння одного інструмента з іншим.

ПРИМІТКА: Заявлене значення шуму може також використовуватися для попереднього оцінювання впливу.

⚠ ПОПЕРЕДЖЕННЯ: Користуйтеся засобами захисту органів слуху.

⚠ ПОПЕРЕДЖЕННЯ: Залежно від умов використання рівень шуму під час фактичної роботи електроінструмента може відрізнятися від заявленого значення вібрації; особливо сильно на це впливає тип деталі, що оброблюється.

⚠ ПОПЕРЕДЖЕННЯ: Забезпечте належні запобіжні заходи для захисту оператора, що відповідатимуть умовам використання інструмента (слід брати до уваги всі складові робочого циклу, як-от час, коли інструмент вимкнено та коли він починає працювати на холостому ході під час запуску).

Вібрація

Загальна величина вібрації (векторна сума трьох напрямків) визначена згідно з EN62841-4-1:

Модель UC014G

Режим роботи: пиляння деревини
Вібрація ($a_{R,W}$): 5,0 м/с²
Похибка (K): 1,5 м/с²

Модель UC015G

Режим роботи: пиляння деревини
Вібрація ($a_{R,W}$): 5,0 м/с²
Похибка (K): 1,5 м/с²

Модель UC016G

Режим роботи: пиляння деревини
Вібрація ($a_{R,W}$): 5,0 м/с²
Похибка (K): 1,5 м/с²

Модель UC017G

Режим роботи: пиляння деревини
Вібрація ($a_{R,W}$): 5,0 м/с²
Похибка (K): 1,5 м/с²

ПРИМІТКА: Заявлене загальне значення вібрації було виміряно відповідно до стандартних методів тестування й може використовуватися для порівняння одного інструмента з іншим.

ПРИМІТКА: Заявлене загальне значення вібрації може також використовуватися для попереднього оцінювання впливу.

⚠ ПОПЕРЕДЖЕННЯ: Залежно від умов використання вібрація під час фактичної роботи електроінструмента може відрізнятися від заявленого значення вібрації; особливо сильно на це впливає тип деталі, що оброблюється.

⚠ ПОПЕРЕДЖЕННЯ: Забезпечте належні запобіжні заходи для захисту оператора, що відповідатимуть умовам використання інструмента (слід брати до уваги всі складові робочого циклу, як-от час, коли інструмент вимкнено та коли він починає працювати на холостому ході під час запуску).

Декларація про відповідність стандартам ЄС

Тільки для країн Європи

Декларацію про відповідність стандартам ЄС наведено в Додатку А до цієї інструкції з експлуатації.

ПОПЕРЕДЖЕННЯ ПРО ДОТРИМАННЯ ТЕХНІКИ БЕЗПЕКИ

Загальні застереження щодо техніки безпеки при роботі з електроінструментами

⚠ ПОПЕРЕДЖЕННЯ: Уважно ознайомтеся з усіма попередженнями про дотримання правил техніки безпеки, інструкціями, ілюстраціями та технічними характеристиками, що стосуються цього електроінструмента. Невиконання будь-яких інструкцій, перелічених нижче, може призвести до ураження електричним струмом, пожежі та/або тяжких травм.

Збережіть усі інструкції з техніки безпеки та експлуатації на майбутнє.

Термін «електроінструмент», зазначений у інструкції з техніки безпеки, стосується електроінструмента, який функціонує від електромережі (електроінструмент з кабелем живлення), або електроінструмента з живленням від батареї (безпроводний електроінструмент).

Загальні застереження щодо техніки безпеки під час роботи з ланцюговою пилою

1. Коли ланцюгова пила працює, слід тримати всі частини тіла подалі від пиляльного ланцюга. Перед тим як запустити ланцюгову пилу, слід перевірити, щоб пиляльний ланцюг нічого не торкався. Відволікання на короткий час під час роботи пили може призвести до того, що одяг буде затягнуто пиляльним ланцюгом.
2. Слід завжди тримати ланцюгову пилу правою рукою за задню ручку, а лівою — за передню. Якщо ланцюгову пилу тримати в інший спосіб, то це підвищує ризик отримання травм, тому цього в жодному разі робити не можна.
3. Ланцюгову пилу слід тримати тільки за ізольовані поверхні держака, оскільки ланцюг для пили може зачепити сховану електропроводку. Торкання ланцюгом для пили проводки під напругою може призвести до передавання напруги до оголених металевих частин ланцюгової пили та до ураження оператора електричним струмом.
4. Надягайте засоби захисту очей. Також рекомендується використовувати засоби захисту голови, рук, ніг та ступень і органи слуху. Належне захисне обладнання знижує кількість травм від сміття, що розлітається, або від випадкового контакту з ланцюгом для пили.
5. Не використовуйте ланцюгову пилу, перебуваючи на дереві, сходах, даху або будь-якій нестійкій опорі. Експлуатація ланцюгової пили таким чином може призвести до тяжких травм.
6. Слід завжди твердо стояти на ногах і працювати ланцюговою пилою, лише стоячи на стійкій, надійній і рівній поверхні. Робота на слизьких або нестійких поверхнях може призвести до втрати рівноваги та контролю над ланцюговою пилою.
7. Під час різання гілки, що перебуває в напруженому стані, слід стеретися відскоку. Коли напруга волокон деревини знімається, то натягнута гілка може вдарити оператора та/або призвести до втрати ним контролю над ланцюговою пилою.
8. Слід бути дуже обережним під час обрізання кущів та порості. Гнучкі гілки можуть бути затягнені в пиляльний ланцюг, та їх може потягнути у напрямку до оператора, або оператора може потягнути, і він втратить рівновагу.
9. Ланцюгову пилу слід переносити за передню ручку у вимкненому стані, відвернувши її від тіла. Під час перевезення або зберігання ланцюгової пили на неї слід завжди встановлювати захисний кожух шини. Правильне поводження з ланцюговою пилою знизить вірогідність випадкового контакту з ланцюгом для пили, що рухається.
10. Дотримуйтесь інструкцій із нанесення мастила, регулювання натягу ланцюга й заміни шини та ланцюга. Неправильно натягнутий або змащений ланцюг може зламатись, або буде підвищено ризик віддачі.
11. Можна різати тільки деревину. Ланцюгову пилу слід застосовувати тільки за призначенням. Наприклад, заборонено використовувати ланцюгову пилу для різання металу, пластмаси, каменю або недерев'яних будівельних матеріалів. Використання ланцюгової пили не за призначенням може призвести до небезпечної ситуації.
12. Не намагайтеся звалити дерево, поки не проаналізуєте всі ризики й не зрозумієте, як їх уникнути. Під час звалювання дерева оператор або стороннім особам можуть бути нанесені тяжкі травми.
13. Причини та заходи запобігання віддачі:
Якщо кінець шини торкається якогось предмета або коли дерев'яна деталь закривається та зачіпає ланцюг для пили в пропилі, може трапитись віддача.
Торкання кінцем шини в деяких випадках може призвести до раптової зворотної реакції, за якої шину буде підкинуто догори й назад у напрямку оператора.
Затискання ланцюга для пили у верхній частині шини може призвести до різкого штовхання шини в напрямку оператора.
Будь-яка з цих реакцій може призвести до втрати контролю над пилою, що, в свою чергу, може призвести до серйозних травм. Не слід покладатися лише на засоби безпеки, якими оснащена пила. Користувачу ланцюгової пили слід вжити низку заходів, щоб захиститись від нещасних випадків або травмування під час пиляння.
Причинами віддачі є неправильне використання ланцюгової пили та/або неправильний порядок чи умови експлуатації. Її можна уникнути, дотримуючись запобіжних заходів, наведених далі.
 - Слід міцно тримати інструмент обома руками таким чином, щоб великий палець та інші пальці руки обгортали ручки ланцюгової пили, та розташувати своє тіло та руки так, щоб була можливість утриматись у разі віддачі. Силу віддачі може контролювати користувач, за умови, що було вжито належних запобіжних заходів. Заборонено відпускати ланцюгову пилу.

► Рис.1

- Ніколи не слід тягнутися інструментом до робочої деталі та різати вище рівня плеча. Дотримання цих правил допоможе уникнути непередбачуваного контакту з ріжучою частиною пили та дозволить краще контролювати ланцюгову пилу в непередбачуваних ситуаціях.
- Використовувати слід тільки запасні шини та ланцюги для пили, вказані виробником. Використання невідповідних запасних шин і ланцюгів для пили може призвести до поломки ланцюга та/або віддачі.
- Слід дотримуватись інструкцій виробника щодо заточування та обслуговування пиляльного ланцюга. Зменшення висоти глибиноміра може призвести до посилення віддачі.

14. Під час видалення застряглого матеріалу, зберігання або обслуговування ланцюгової пили дотримуйтеся всіх інструкцій. Переконайтеся в тому, що перемикач вимкнений і акумулятор витягнуто. Несподіване спрацювання ланцюгової пили під час видалення застряглих предметів або обслуговування може призвести до тяжких травм.

Додаткові інструкції з техніки безпеки

Засоби індивідуального захисту

1. Одяг повинен щільно прилягати до тіла, але не повинен заважати руху.
2. Нижче наведено захисний одяг, який слід одягати під час роботи:
 - Випробуваний захисний шолом, якщо існує загроза падіння гілок або т.і.;
 - Маску або окуляри;
 - Відповідні засоби захисту органів слуху (захисні навушники, звичайні або формувальні навушники). Октавний аналізатор звуку за проханням.
 - Щільні шкіряні захисні рукавиці;
 - Довгі штани виготовлені із міцної тканини;
 - Захисний робочий одяг із стійкої к прорізам тканини;
 - Захисні черевики або взуття з неслизькою підошвою, черевики з металевим носком та одяг із стійкої к прорізам тканини;
 - Дихальна маска під час виконання робіт, що супроводжуються утворенням пилу (наприклад пиляння сухої деревини).

Робота

1. **Перед початком роботи перевірте належну працездатність ланцюгової пили та відповідність її стану правилам техніки безпеки. Зокрема, слід перевірити, чи:**
 - належним чином працює ланцюгове гальмо;
 - належним чином працює інерційне гальмо;
 - правильно встановлені шина та кришка зірочки;
 - ланцюг загострений та натягнутий згідно з правилами.
2. **Не запускайте ланцюгову пилу з установленою кришкою ланцюга.** Якщо запустити ланцюгову пилу з установленою кришкою ланцюга, остання може бути відкинута вперед, що може призвести до травм або до пошкодження предметів навколо оператора.
3. **У разі використання інструмента на вологих або слизьких ділянках, зокрема на сходах, будьте уважні, щоб не втратити рівновагу.**
4. **Заборонено занурювати інструмент у калюжі.**
5. **Заборонено залишати інструмент під дощем без нагляду.**

Електробезпека й техніка безпеки під час роботи з акумулятором

1. **Не працюйте з інструментом у небезпечних умовах. Не користуйтеся інструментом у вологих або мокрих місцях і не допускайте його перебування під дощем.** У випадку потрапляння води в інструмент зростає ризик ураження електричним струмом.
2. **Не спалюйте акумулятори.** Акумулятор може вибухнути. Ознайомтеся з місцевими законами, які можуть містити спеціальні інструкції щодо утилізації відходів.
3. **Не відкривайте й не деформуйте акумулятори.** Електроліт є їдкою речовиною, тому в разі контакту зі шкірою або очима може завдати травму. У разі проковтування він може бути токсичним.
4. **Не заряджайте акумулятор під дощем або в місцях із підвищеною вологістю.**
5. **Перезаряджайте акумулятор тільки в приміщенні.**
6. **Не торкайтеся зарядного пристрою, а також штекера й контактів зарядного пристрою вологими руками.**
7. **Заборонено замінювати акумулятор під дощем.**
8. **Заборонено замінювати акумулятор вологими руками.**
9. **Заборонено залишати акумулятор під дощем, а також заряджати, використовувати або зберігати його в місці з підвищеною вологістю.**
10. **Не допускайте потрапляння рідини на контакти акумулятора й не занурюйте акумулятор у рідину.** Якщо контакти намокнуть або якщо всередину акумулятора потрапить рідина, може статися коротке замикання, що може призвести до перегріву, займання або вибуху.
11. **Після виймання акумулятора з інструмента або зарядного пристрою обов'язково встановіть кришку відсіку для акумулятора й зберігайте її в сухому місці.**
12. **У разі потрапляння води на касету з акумулятором злийте воду з касети й витріть її сухою ганчіркою. Перед використанням касети з акумулятором дайте їй повністю висохнути в сухому місці.**

Технічне обслуговування й зберігання

1. **Зберігайте інструмент у місці, захищеному від прямих сонячних променів і дощу, де він не піддаватиметься впливу високої температури або вологості.**

ЗБЕРІГАЙТЕ ЦІ ВКАЗІВКИ.

⚠ ПОПЕРЕДЖЕННЯ: НІКОЛИ НЕ втрачайте пильності та не розслабляйтеся під час користування виробом (що можливо при частому користуванні); обов'язково строго дотримуйтеся відповідних правил безпеки. **НЕНАЛЕЖНЕ ВИКОРИСТАННЯ** або недотримання правил техніки безпеки, викладених у цій інструкції з експлуатації, може призвести до серйозних травм.

Важливі інструкції з безпеки для касети з акумулятором

1. Перед тим як користуватися касетою з акумулятором, слід прочитати всі інструкції та застережні знаки щодо (1) зарядного пристрою акумулятора, (2) акумулятора та (3) виробів, що працюють від акумулятора.
2. Не розбирайте касету з акумулятором і не змінюйте її конструкцію. Це може призвести до пожежі, перегріву або вибуху.
3. Якщо період роботи дуже покоротшав, слід негайно припинити користування. Це може призвести до виникнення ризику перегріву, опіку та навіть вибуху.
4. У разі потрапляння електrolіту в очі слід промити їх чистою водою та негайно звернутися до лікаря. Це може призвести до втрати зору.
5. Не закоротіть касету з акумулятором.
 - (1) Не слід торкатися клем будь-яким струмопровідним матеріалом.
 - (2) Не слід зберігати касету з акумулятором у ємності з іншими металевими предметами, такими як цвяхи, монети тощо.
 - (3) Не залишайте касету з акумулятором під дощем, запобігайте контакту з водою.

Коротке замикання може призвести до появи значного струму, перегріву, можливих опіків та навіть виходу з ладу.
6. Не слід зберігати й використовувати інструмент і касету з акумулятором у місцях, де температура може сягнути чи перевищити 50 °C (122 °F).
7. Не слід спалювати касету з акумулятором, навіть якщо вона була неодноразово пошкоджена або повністю спрацьована. Касета з акумулятором може вибухнути у вогні.
8. Заборонено забивати цвяхи в касету з акумулятором, різати, ламати, кидати, впускати касету з акумулятором або вдаряти її твердим предметом. Це може призвести до пожежі, перегріву або вибуху.
9. Не слід використовувати пошкоджений акумулятор.
10. Літій-іонні акумулятори, що містяться в інструменті, мають відповідати вимогам законів про небезпечні товари.

Під час транспортування за допомогою комерційних перевезень, наприклад із залученням третьої сторони та експедиторів, необхідно дотримуватися особливих вимог, вказаних на пакуванні й у маркуванні. Під час підготування позиції до відправлення необхідно проконсультуватися зі спеціалістом з небезпечних матеріалів. Крім того, слід виконувати більш докладні національні настанови, якщо такі є. Заклейте відкриті контакти стрічкою або заховайте їх і запакуйте акумулятор таким чином, щоб він не міг рухатися в пакуванні.
11. Для утилізації касети з акумулятором витягніть її з інструмента та утилізуйте безпечним способом. Дотримуйтеся норм місцевого законодавства щодо утилізації акумуляторів.
12. Використовуйте акумулятори лише з виробами, указаними компанією Makita. Установлення акумуляторів у невідповідні виробы може призвести до пожежі, надмірного нагрівання, вибуху чи витоків електrolіту.
13. Якщо інструментом не користуватимуться протягом тривалого періоду часу, вийміть акумулятор з інструмента.
14. Під час і після використання касета з акумулятором може нагріватися, що може стати причиною опіків або низькотемпературних опіків. Будьте обережні під час поводження з гарячою касетою з акумулятором.
15. Не торкайтеся контактів інструмента відразу після використання, оскільки він може бути досить гарячим, щоб викликати опіки.
16. Не допускайте, щоб уламки, пил або земля прилипали до контактів, отворів і пазів на касеті з акумулятором. Це може призвести до перегріву, займання, вибуху та виходу з ладу інструмента або касети з акумулятором і спричинити опіки або травми.
17. Якщо інструмент не розраховано на використання поблизу високовольтних ліній електропередач, не використовуйте касету з акумулятором поблизу високовольтних ліній електропередач. Це може призвести до несправності, поломки інструмента або касети з акумулятором.
18. Тримайте акумулятор у недоступному для дітей місці.

ЗБЕРІГАЙТЕ ЦІ ВКАЗІВКИ.

▲ОБЕРЕЖНО: Використовуйте тільки акумулятори Makita. Використання акумуляторів, інших ніж оригінальні акумулятори Makita, або акумуляторів, конструкцію яких було змінено, може призвести до вибуху акумулятора і спричинити пожежу, травму або пошкодження. У зв'язку з цим також буде анульовано гарантію Makita на інструмент Makita і на зарядний пристрій.

Поради з забезпечення максимального строку експлуатації акумулятора

1. Касету з акумулятором слід заряджати до того, як він розрядиться повністю. Завжди слід зупиняти роботу інструмента та зарядити акумулятор, якщо ви помітили зменшення потужності інструмента.
2. Ніколи не слід заряджати повторно повністю заряджену касету з акумулятором. Перезарядження скорочує строк експлуатації акумулятора.
3. Заряджайте касету з акумулятором при кімнатній температурі 10°C - 40°C (50°F - 104°F). Перед тим як заряджати касету з акумулятором, слід зачекати, доки вона охолоне.
4. Коли касета з акумулятором не використовується, виймайте її з інструмента або зарядного пристрою.
5. Якщо касета з акумулятором не використовувалася тривалий час (понад шість місяців), її слід зарядити.

ОПИС ДЕТАЛЕЙ

► Рис.2

1	Касета з акумулятором	2	Передня захисна огорожа для рук	3	Важіль
4	Шина	5	Пилальний ланцюг	6	Диск регулювання
7	Індикатор живлення	8	Вимикач живлення	9	Важіль блокування вимкненого положення
10	Задня ручка	11	Курок вмикача	12	Передня ручка
13	Кришка мастильного бака	14	Кожух шини	15	Гвинт регулювання (для мастильного насоса)
16	Обмежувач ланцюга	-	-	-	-

ОПИС РОБОТИ

▲ ОБЕРЕЖНО: Обов'язково переконайтеся, що прилад вимкнено, а касету з акумулятором знято, перед регулюванням або перевіркою функціонування інструмента.

Встановлення та зняття касети з акумулятором

▲ ОБЕРЕЖНО: Завжди вимикайте інструмент перед встановленням або зняттям касети з акумулятором.

▲ ОБЕРЕЖНО: Під час встановлення або зняття касети з акумулятором слід міцно тримати інструмент та касету з акумулятором. Якщо ви утримуватимете інструмент та касету з акумулятором недостатньо міцно, вони можуть вислизнути з рук, що може призвести до пошкодження інструмента та касети з акумулятором або може спричинити травми.

► Рис.3: 1. Червоний індикатор 2. Кнопка 3. Касета з акумулятором

Щоб зняти касету з акумулятором, слід витягнути її з інструмента, натиснувши на кнопку в передній частині касети.

Щоб установити касету з акумулятором, слід сумістити виступ на касеті з акумулятором із пазом у корпусі й вставити касету на місце. Вставляйте її до кінця, щоб вона зафіксувалася з легким клацанням. Якщо ви бачите червоний індикатор, як показано на рисунку, її не зафіксовано повністю.

▲ ОБЕРЕЖНО: Завжди вставляйте касету з акумулятором повністю, щоб червоного індикатора не було видно. Якщо цього не зробити, касета може випадково випасти з інструмента та завдати травми вам або людям, що знаходяться поряд.

▲ ОБЕРЕЖНО: Не встановлюйте касету з акумулятором із зусиллям. Якщо касета не вставляється легко, то це означає, що ви її неправильно вставляєте.

Відображення залишкового заряду акумулятора

Натисніть кнопку перевірки на касеті з акумулятором для відображення залишкового ресурсу акумулятора. Індикаторні лампи загоряться на кілька секунд.

► Рис.4: 1. Індикаторні лампи 2. Кнопка перевірки

Індикаторні лампи			Залишковий ресурс
Горить	Вимк.	Блимає	
■ ■ ■ ■			від 75 до 100%
■ ■ ■ □			від 50 до 75%
■ ■ □ □			від 25 до 50%
■ □ □ □			від 0 до 25%
▬ □ □ □			Зарядіть акумулятор.
■ ■ □ □			Можливо, акумулятор вийшов з ладу.
□ □ ■ ■			

ПРИМІТКА: Залежно від умов використання та температури оточуючого середовища показання можуть незначним чином відрізнитися від дійсного ресурсу.

ПРИМІТКА: Перша (дальня ліва) індикаторна лампа блимає під час роботи захисної системи акумулятора.

Система захисту інструмента/акумулятора

Інструмент оснащено системою захисту інструмента/акумулятора. Ця система автоматично вимикає живлення двигуна з метою збільшення терміну служби інструмента та акумулятора. Інструмент автоматично зупиняється під час роботи, якщо інструмент або акумулятор перебувають у зазначених нижче умовах.

Захист від перевантаження

Якщо через спосіб експлуатації акумулятор споживає аномально високий струм, він автоматично вимкнеться, а індикатор живлення почне блимати зеленим. У такому разі вимкніть інструмент і припиніть роботу, під час виконання якої інструмент зазнав перевантаження. Щоб перезапустити інструмент, увімкніть його знову.

Захист від перегрівання

Якщо інструмент або акумулятор перегрівся, інструмент автоматично вимикається, а індикатор живлення загоряється червоним. У такому випадку дозвольте інструменту й акумулятору охолонути, перш ніж знову вмикати інструмент.

ПРИМІТКА: Захист від перегріву з високою ймовірністю спрацює в умовах високої температури, а інструмент зупиниться автоматично.

Захист від надмірного розрядження

Якщо ємності акумулятора недостатньо, інструмент зупиниться автоматично, а індикатор живлення почне блимати червоним. У такому випадку вийміть акумулятор з інструмента й зарядіть його.

Захист від інших неполадок

Система захисту також забезпечує захист від інших неполадок, які можуть призвести до пошкодження інструмента, і а також автоматично зупиняє інструмент. У разі тимчасової зупинки або припинення роботи інструмента виконайте всі зазначені нижче дії для усунення причини зупинки.

1. Вимкніть і знову увімкніть інструмент, щоб перезапустити його.
2. Зарядіть акумулятор(и) або замініть його(їх) зарядженим(и).
3. Дайте машині й акумулятор(ам) охолонути.

Якщо після відновлення вихідного стану системи захисту ситуація не зміниться, зверніться до місцевого сервісного центру Makita.

УВАГА: Якщо інструмент зупиняється з причини, не описаної вище, див. розділ, що стосується усунення несправностей.

Вимикач живлення

▲ПОПЕРЕДЖЕННЯ: Завжди вимикайте вимикач живлення, коли не використовуєте пристрій.

Щоб увімкнути інструмент, натисніть головний вимикач живлення. Головний індикатор живлення засвітиться зеленим. Для вимкнення знову натисніть вимикач живлення.

► **Рис.5:** 1. Індикатор живлення 2. Вимикач живлення

ПРИМІТКА: Індикатор живлення блимає зеленим, якщо натиснути на курок вмикача за недопустимих для роботи умов. Індикатор починає блимати в одному із зазначених нижче випадків.

- Якщо ви увімкнули вимикач живлення, утримуючи натиснутим важіль блокування у вимкненому положенні або курок вмикача.
- Якщо ви потягнули за курок вмикача за активованого гальма ланцюга.
- Якщо ви відпустили гальмо ланцюга, утримуючи важіль блокування у вимкненому положенні й курок вмикача натиснутими.

ПРИМІТКА: Цей пристрій має функцію автоматичного вимкнення. Щоб запобігти ненавмисному запуску, головний вимикач живлення автоматично вимкнеться, якщо не натискати на курок вмикача протягом певного часу після ввімкнення головного вимикача живлення.

Дія вмикача

▲ПОПЕРЕДЖЕННЯ: З міркувань безпеки цей інструмент обладнаний важелем блокування вимкненого положення, що запобігає ненавмисному запуску інструмента. **ЗАБОРОНЕНО** використовувати інструмент, якщо він запускається простим натисканням курка вмикача без натискання важеля блокування вимкненого положення. **ПЕРЕД** подальшим використанням інструмент слід передати до нашого авторизованого сервісного центру для ремонту.

▲ПОПЕРЕДЖЕННЯ: **ЗАБОРОНЕНО** фіксувати скотчем або іншим чином відключати функцію важеля блокування вимкненого положення.

▲ОБЕРЕЖНО: Перед тим як вставляти касету з акумулятором в інструмент, обов'язково перевірте, чи курок вмикача спрацює належним чином та повертається у положення «ВИМК.», коли його відпускають.

УВАГА: Не можна з силою натискати на курок вмикача, якщо важіль блокування вимкненого положення не натиснутий. Це може призвести до поломки вмикача.

Для запобігання випадковому натисненню курка вмикача передбачено важіль блокування у вимкненому положенні. Щоб запустити інструмент, натисніть важіль блокування у вимкненому положенні й потягніть курок вмикача. Робоча частота інструмента зростає, якщо збільшити тиск на курок вмикача. Щоб зупинити роботу, відпустіть курок вмикача.

► **Рис.6:** 1. Курок вмикача 2. Важіль блокування вимкненого положення

Перевірка гальма ланцюга

⚠ОБЕРЕЖНО: Під час увімкнення ланцюгової пили завжди тримайте її обома руками. Тримайтеся правою рукою за задню ручку, а лівою — за передню ручку. Ані шина, ані ланцюг не повинні торкатись будь-яких предметів.

⚠ОБЕРЕЖНО: Якщо ланцюгова пила одразу ж не зупинилася під час проведення цього випробування, цю пилу не можна використовувати за жодних обставин. Зверніться до нашого авторизованого сервісного центру.

1. Спочатку натисніть на важіль блокування вимкненого положення, а потім натисніть на курок вмикача. Пила одразу ж запуститься.
2. Тильною стороною руки штовхніть уперед передню захисну огорожу для рук. Переконайтеся, що ланцюгова пила зупиняється негайно.
► **Рис.7:** 1. Передня захисна огорожа для рук 2. Розблоковане положення 3. Заблоковане положення

Перевірка інерційного гальма

⚠ОБЕРЕЖНО: Якщо ланцюгова пила під час цього випробування не зупинилася протягом однієї секунди, припиніть використання ланцюгової пили та зверніться до нашого авторизованого сервісного центру.

Запустіть ланцюгову пилу, після чого повністю звільніть курок вмикача. Пила повинна зупинитись протягом однієї секунди.

Регулювання змащування ланцюга

Продуктивність мастильного насоса можна регулювати за допомогою гвинта для регулювання. Кількість мастила можна регулювати за допомогою універсального ключа.

- **Рис.8:** 1. Гвинт регулювання

ЗБОРКА

⚠ОБЕРЕЖНО: Обов'язково переконайтеся, що прилад вимкнено, а касету з акумулятором знято, перш ніж проводити будь-які роботи з інструментом.

⚠ОБЕРЕЖНО: Заборонено торкатися пиляльного ланцюга незахищеними руками. Під час роботи з пиляльним ланцюгом обов'язково одягайте рукавиці.

Установлення й зняття ланцюга для пили

⚠ОБЕРЕЖНО: Після роботи пиляльний ланцюг та шина залишаються гарячими. Дайте їм достатньо охолонути перед виконанням будь-яких робіт на інструменті.

⚠ОБЕРЕЖНО: Установлювати та знімати пиляльний ланцюг слід у чистому місці, вільному від тирси і подібного сміття.

Установлення ланцюга для пили

Щоб установити пиляльний ланцюг, виконайте такі дії:

1. Відпустіть гальмо ланцюга, потягнувши за передній захист руки.
► **Рис.9:** 1. Важіль
2. Потягніть важіль вгору, натискаючи на його край.
► **Рис.10:** 1. Важіль 2. Кришка зірочки
3. Поверніть важіль проти годинникової стрілки, поки кришка зірочки не зніметься.
► **Рис.11:** 1. Важіль 2. Кришка зірочки
4. Зніміть кришку зірочки.
5. Перевірте напрямок руху ланцюга для пили. Напрямок руху ланцюга для пили має збігатися з напрямком, позначеним відміткою на корпусі ланцюгової пили.
► **Рис.11:** 1. Відмітка на корпусі ланцюгової пили
6. Помістіть один кінець ланцюга для пили на верхню частину шини.
7. Установіть інший кінець ланцюга для пили навколо зірочки, а потім закріпіть шину на корпусі ланцюгової пили.
► **Рис.12:** 1. Зірочка
8. Поверніть диск регулювання в напрямку «-», щоб просунути регулювальну шпильку в напрямку, вказаному стрілкою.
► **Рис.13:** 1. Диск регулювання 2. Регулювальна шпилька
9. Помістіть кришку зірочки на ланцюгову пилу таким чином, щоб регулювальна шпилька опинилася в маленькому отворі в шині.
► **Рис.14:** 1. Кришка зірочки 2. Шина 3. Отвір
10. Повністю поверніть важіль за годинниковою стрілкою, а потім трохи поверніть його назад, щоб зберегти послаблення для регулювання натягу ланцюга.
11. Відрегулюйте натяг ланцюга. Процедуру регулювання натягу ланцюга для пили див. у відповідному розділі.
12. Поверніть важіль за годинниковою стрілкою, поки кришку зірочки не буде закріплено, а потім поверніть його в початкове положення.
► **Рис.15:** 1. Важіль 2. Кришка зірочки

Знімання ланцюга для пили

Щоб зняти пиляльний ланцюг, виконайте такі дії:

1. Відпустіть гальмо ланцюга, потягнувши за передній захист руки.
2. Поверніть диск регулювання в напрямку «-», щоб послабити натяг пиляльного ланцюга.
► **Рис.16:** 1. Диск регулювання
3. Потягніть важіль вгору, натискаючи на його край.
► **Рис.17:** 1. Важіль
4. Поверніть важіль проти годинникової стрілки, поки кришка зірочки не зніметься.
► **Рис.18:** 1. Важіль 2. Кришка зірочки
5. Зніміть кришку зірочки, після чого зніміть пиляльний ланцюг і шину з корпусу ланцюгової пили.

Регулювання натягу пиляльного ланцюга

⚠ОБЕРЕЖНО: Установлювати та знімати пиляльний ланцюг слід у чистому місці, вільному від тирси і подібного сміття.

⚠ОБЕРЕЖНО: Не затягуйте пиляльний ланцюг занадто сильно. Надмірний натяг пиляльного ланцюга може призвести до розриву пиляльного ланцюга, зносу шини та пошкодження диска регулювання.

⚠ОБЕРЕЖНО: Слабко натягнутий ланцюг може зіскочити з шини, тим самим створюючи ризик нещасного випадку і травми.

Після багатьох годин роботи пиляльний ланцюг може послабитись. Слід періодично перевіряти натяг пиляльного ланцюга перед використанням.

1. Потягніть важіль вгору, натискаючи на його край.
► **Рис.19:** 1. Важіль

2. Трохи поверніть важіль проти годинникової стрілки, щоб злегка послабити кришку зірочки.
► **Рис.20:** 1. Важіль 2. Кришка зірочки

3. Трохи підніміть кінець шини і відрегулюйте натяг ланцюга. Поверніть диск регулювання в напрямку «-» для послаблення або в напрямку «+» для затягнення. Затягніть пиляльний ланцюг таким чином, щоб його нижня сторона увійшла в напрямну шини, як показано на малюнку.
► **Рис.21:** 1. Диск регулювання 2. Шина 3. Пиляльний ланцюг

4. Утримуючи злегка шину, затягніть кришку зірочки. Переконайтеся, що пиляльний ланцюг з нижньої сторони шини затягнутий не слабо.

5. Поверніть важіль у початкове положення.

Переконайтеся, що пиляльний ланцюг щільно входить до нижньої сторони шини.

РОБОТА

Змащування

⚠ОБЕРЕЖНО: Не використовуйте ланцюгову пилу за порожнього бака. Масло необхідно своєчасно доливати до моменту спорожнення бака.

⚠ОБЕРЕЖНО: Не допускайте контакту масла зі шкірою й очима. Контакт з очима призведе до їх подразнення. За потраплення в очі промийте негайно промийте їх чистою водою, а потім зверніться до лікаря.

⚠ОБЕРЕЖНО: У жодному разі не використовуйте відпрацьоване масло. Відпрацьоване масло містить канцерогени. Забруднюючі речовини у відпрацьованому маслі пришвидшують знос мастильного насоса, шини й ланцюга. Відпрацьоване масло шкодить навколишньому середовищу.

УВАГА: Під час першого використання ланцюгової пили може знадобитися до двох хвилин, поки мастило для ланцюгової пили не почне змащувати механізм пили. Увімкніть ланцюгову пилку без навантаження, щоб змастити механізм.

УВАГА: Під час першого заливання мастила для пиляльного ланцюга або під час заправки пустою бака мастило слід заливати до рівня нижньої частини заливної горловини. Інакше постачання мастила може бути утрудненим.

УВАГА: У якості мастила для ланцюга слід використовувати тільки мастило для ланцюгових пил Makita або еквівалентне мастило, що є у продажу.

УВАГА: Заборонено використовувати мастило, що містить частки пилу, або летуче мастило.

УВАГА: Під час обрізання дерев слід використовувати мастило рослинного походження. Мінеральне мастило може пошкодити дерева.

УВАГА: Перед тим як виконувати різання, слід перевірити, щоб кришка мастильного бака була належним чином загвинчена.

Ланцюг для пили автоматично змащується під час роботи інструмента. Періодично перевіряйте кількість мастила в мастильному баку через контрольне вікно рівня мастила.

► **Рис.22:** 1. Кришка мастильного бака 2. Контрольне вікно рівня мастила

Щоб залити масло, виконайте вказані далі дії.

1. Ретельно очистьте ділянку навколо кришки масляного бака, щоб запобігти попаданню бруду в масляний бак.

2. Покладіть ланцюгову пилу набік.

3. Натисніть кнопку на кришці мастильного бака, щоб кнопка на іншій стороні піднялася, і змініть кришку мастильного бака, повернувши її.

► **Рис.23:** 1. Кришка мастильного бака 2. Затягнути 3. Послабити

4. Заповніть масляний бак мастилом. Потрібна кількість мастила складає 260 мл.

5. Щільно закрутіть кришку масляного бака.

6. Ретельно витріть пролите мастило для ланцюга.

ПРИМІТКА: Якщо кришку мастильного бака важко зняти, вставте торцевий ключ у паз кришки мастильного бака та змініть її, повернувши проти годинникової стрілки.

► **Рис.24:** 1. Гніздо 2. Торцевий ключ

Після заправки тримайте пилу на відстані від дерева. Запустіть її та заждіть, доки пиляльний ланцюг буде достатньо змащений.

► **Рис.25**

Робота з ланцюговою пилою

⚠ ОБЕРЕЖНО: У перший раз задля отримання досвіду користувачеві слід різати колоди на козлах для пиляння або на опорній рамі.

⚠ ОБЕРЕЖНО: Під час пиляння попередньо нарізаної деревини використовуйте безпечну опору (козла для пиляння дров або опорну раму). Заборонено притримувати деталі ногою або дозволяти комусь іншому тримати або притримувати деталь.

⚠ ОБЕРЕЖНО: Круглі деталі слід закріплювати, щоб вони не обертались.

⚠ ОБЕРЕЖНО: Коли працює мотор, забороняється наближати будь-які частини тіла до пиляльного ланцюга.

⚠ ОБЕРЕЖНО: Коли працює мотор, слід міцно тримати ланцюгову пилу обома руками.

⚠ ОБЕРЕЖНО: Не слід тягнутись занадто далеко. Завжди твердо стійте на ногах та тримайте рівновагу.

УВАГА: Заборонено кидати або випускати інструмент.

УВАГА: Заборонено закривати вентиляційні отвори інструмента.

Перш ніж вмикати пилу, слід піднести нижній край корпусу ланцюгової пили впритул до гілки, що різатиметься. Недотримання цієї вимоги може призвести до коливання шини, що може завдати травми оператору. Пиляйте деревину, що різатиметься, просто рухаючи її вниз під дією ваги ланцюгової пили.

► Рис.26

Якщо дерево розрізати за один прохід неможливо: трохи натисніть на ручку та продовжуйте пиляти й відтягніть пилу трохи назад; потім встановіть зубчастий упор нижче та закінчіть різання, піднімаючи ручку.

► Рис.27

Розпиляння

1. Обіпріть нижній край корпусу ланцюгової пили об деревину, що різатиметься.

► Рис.28

2. Запустивши ланцюг пили, заведіть пилу в деревину, використовуючи задню ручку для того, щоб піднімати пилу, а передню — щоб її направляти. Зубчастий упор використовуйте як точку опори.

3. Продовжуйте пиляння, злегка натискаючи на передню ручку та трохи відтягуючи пилу назад. Пересуньте зубчастий упор далі по колоді та знов підніміть передню ручку.

УВАГА: Коли треба зробити декілька розпилювань, пилу між розпилюваннями слід зупиняти.

⚠ ОБЕРЕЖНО: Якщо для розпилювання використовувати верхній край шини, то пила може відскочити у ваш бік, якщо пиляльний ланцюг заклинить. Тому слід пиляти нижнім краєм, щоб пила відскочила в напрямку від вашого тіла.

► Рис.29

Якщо пиляєте дерево під навантаженням, спочатку пиляйте з боку прогину (А). Потім зробіть кінцевий пропил з боку натягу (В). Це запобігає заїданню шини.

► Рис.30

Обрізання сучків

⚠ ОБЕРЕЖНО: Обрізання сучків повинно виконуватись спеціально навченими особами. Ризик віддачі створює небезпеку.

Під час обрізання сучків, якщо можливо, слід обертати пилу на стовбур. Не слід пиляти кінцем шини, оскільки це створює ризик віддачі. Особливу увагу слід приділяти гілкам, що знаходяться під навантаженням. Заборонено пиляти знизу гілки, що не мають опори. Заборонено стояти на стовбурі під час обрізання сучків.

Риючі пропили та пропили, паралельні волокнам

⚠ ОБЕРЕЖНО: Риючі пропили та пропили, паралельні волокнам, повинні виконуватись спеціально навченими особами. Можливість віддачі створює небезпеку поранення.

Паралельні волокнам пропили слід виконувати під максимально малим кутом. Під час виконання таких пропилів слід бути особливо обережним, оскільки при цьому неможливо використовувати зубчастий упор.

► Рис.31

Ваління лісу

⚠ ОБЕРЕЖНО: Роботи з ваління лісу повинні виконуватись спеціально навченими особами. Ця робота є небезпечною.

У разі потреби спилати дерево слід виконувати місцеві вимоги.

► Рис.32: 1. Дільниця пиляння дерев

— Перед початком робіт з ваління лісу слід перевірити наступне:

- що поблизу перебувають тільки особи, задіяні в роботах із ваління лісу;
- кожна задіяна в роботах людина повинна мати шлях вільного відходу в межах приблизно 45° з кожного боку від вісі ваління. Слід також взяти до уваги ризик чіплення за електричні кабелі;
- на основі стовбура не повинно бути сторонніх предметів, коріння або гілок;
- на відстані 2,5 довжини дерева в напрямку його падіння не повинно бути людей та будь-яких предметів.

— Для кожного дерева слід перевірити наступне:

- напрямку упора;
- слабкі або сухі гілки;
- висота дерева;
- природне провисання;
- чи є дерево гнилим.

- Беріть до уваги швидкість та напрям вітру. Не треба проводити роботи з ваління лісу під час сильних поривів вітру.
 - Обрізання напливів коріння: починайте з найбільшого напливу. Спочатку слід зробити вертикальний зріз, а потім — горизонтальний.
 - Слід стояти збоку від дерева, що падає. Ділянку позаду дерева, що падає, слід залишити вільною під кутом приблизно 45° з обох сторін вісі (див. малюнок «Ділянка ваління»). Слід бути уважним та дивитись за гілками, що падають.
 - Шлях аварійного відходу повинен бути належним чином спланований та розчищений перед тим, як починати різання. Шлях аварійного відходу повинен вестися по діагоналі назад від очікуваної лінії падіння, як показано на малюнку.
- **Рис.33:** 1. Напрямок ваління лісу 2. Зона небезпеки 3. Маршрут аварійного відходу

Під час ваління дерев дотримуйтесь таких процедур:

1. Підпилку треба робити якомога ближче до землі. Спочатку треба зробити горизонтальний пропилю на 1/5—1/3 діаметра стовбура. Не слід робити підпилку занадто великою. Після цього зробіть діагональний пропилю.

► **Рис.34**

ПРИМІТКА: Підпилка визначає напрям, у якому впаде дерево, а також направляє його. Підпилку роблять із того боку дерева, на який воно падатиме.

2. Зробіть протилежний пропилю дещо вище, ніж основа підпилки. Протилежний пропилю повинен бути чітко горизонтальним. Залиште приблизно 1/10 діаметра стовбура між протилежним пропилом та підпилкою. Волокна деревини в непропиленій частині стовбура виконують функцію шарніра. Слід вчасно вставляти клини в пропилю.

► **Рис.35**

ПОПЕРЕДЖЕННЯ: За будь-яких обставин забороняється пропилювати волокна наскрізь. Це призведе до неконтрольованого падіння дерева.

УВАГА: Для утримання протилежного пропилю відкритим можна використовувати лише пластикові або алюмінієві клини. Використовувати залісні клини заборонено.

Перенесення інструмента

Перш ніж переносити інструмент, слід завжди вмикати гальмо ланцюга й знімати з інструмента касету з акумуляторами. Потім установіть захисний кожух шини. Касету з акумулятором слід також закрити кришкою.

- **Рис.36:** 1. Кожух шини 2. Кришка відсіку для акумулятора

ТЕХНІЧНЕ ОБСЛУГОВУВАННЯ

ОБЕРЕЖНО: Перед здійсненням перевірки або обслуговування завжди перевіряйте, щоб інструмент був вимкнений, а касета з акумулятором була знята.

ОБЕРЕЖНО: Під час перевірки або обслуговування слід бути в захисних рукавицях.

УВАГА: Ніколи не використовуйте газолін, бензин, розріджувач, спирт та подібні речовини. Їх використання може призвести до зміни кольору, деформації або появи тріщин.

Для забезпечення БЕЗПЕКИ та НАДІЙНОСТІ продукції, її ремонт, а також роботи з обслуговування або регулювання повинні виконуватись уповноваженими або заводськими сервісними центрами Makita із використанням запчастин виробництва компанії Makita.

Заточка пиляльного ланцюга

Пиляльний ланцюг слід заточити, коли:

- під час пиляння сирого дерева утворюється борошнина тирса;
- ланцюг входить в дерево насилу, навіть якщо застосувати силу;
- ріжуча кромка явно пошкоджена;
- пилу в деревині тягне праворуч або ліворуч. (це відбувається через нерівномірну заточку пиляльного ланцюга або пошкодження однієї сторони)

Слід часто заточувати пилу, але при цьому кожного разу сточувати небагато. Для повсякденного заточування зазвичай вистачає двох або трьох проходів напилком. Після того як пиляльний ланцюг був заточений декілька разів, його слід заточити в нашому авторизованому сервісному центрі.

Критерії заточки:

ПОПЕРЕДЖЕННЯ: Надто велика відстань між ріжучою кромкою та глибиноміром збільшує ризик віддачі.

- **Рис.37:** 1. Довжина зубця 2. Відстань між ріжучою кромкою і глибиноміром 3. Мінімальна довжина зубця (3 мм)

- Довжина всіх зубців повинна бути однаковою. Якщо зубці будуть різної довжини, це заважатиме належній роботі пиляльного ланцюга й може призвести до його поломки.
- Заборонено заточувати ланцюг, якщо довжина зубців складає 3 мм або менше. Слід замінити ланцюг на новий.
- Товщина щіпки визначається відстанню між глибиноміром (круглим носком) та ріжучою кромкою.

- Найліпші результати пиляння досягаються за наступної відстані між ріжучою кромкою та глибиноюміром.
 - Полотно ланцюга 91PX : 0,65 мм
 - Полотно ланцюга 80TXL : 0,65 мм

► **Рис.38**

- Кут заточки всіх зубців повинен бути 30°. Неоднаковий кут заточки зубців призводить до нерівномірної та ускладненої роботи ланцюга, що прискорює його знос і призводить до його поломки.
- Використовуйте придатний круглий напилек, щоб підтримувати належний кут заточки зубців.
 - Полотно ланцюга 91PX : 55°
 - Полотно ланцюга 80TXL : 55°

Напилек та направлення напилка

- Для заточки ланцюга слід використовувати спеціальний круглий напилек для пиляльних ланцюгів (додаткове приладдя). Звичайні круглі напилки не підходять.
- Діаметр круглого напилка для кожного пиляльного ланцюга такий:
 - Полотно ланцюга 91PX : 4,0 мм
 - Полотно ланцюга 80TXL : 4,0 мм
- Напилек повинен обробляти зубець тільки під час руху вперед. Під час зворотного руху напилек слід піднімати над зубцем.
- Спочатку слід заточити найкоротший зубець. Потім довжина цього найкоротшого зубця стає стандартом для всіх інших зубців на пиляльному ланцюзі.
- Направляйте напилек, як показано на малюнку.

► **Рис.39:** 1. Напилек 2. Пиляльний ланцюг

- Напилек легше направляти, якщо використовувати держак для напилка (додаткова принадлежність). На держаку для напилка є мітки вірного кута заточки 30° (слід виставити мітки паралельно пиляльному ланцюгу); він також обмежує глибину проникнення (на 4/5 діаметра напилка).

► **Рис.40:** 1. Держак для напилка

- Після заточки ланцюга слід перевірити висоту глибиноміра, використовуючи шуп для пиляльного ланцюга (додаткова принадлежність).

► **Рис.41**

- Слід видалити навіть найменші виступи матеріалу за допомогою спеціального плаского напилка (додаткова принадлежність).
- Ще раз закрутіть передню частину глибиноміра.

Чищення шини

Щіпки та тирса накопичуються в пазу шини. Вони можуть забити паз шини і перешкодити постачанню мастила. Під час заточки або заміни пиляльного ланцюга слід завжди вичищати тирсу та щіпки.

► **Рис.42**

Чищення кришки зірочки

Щіпки та тирса накопичуються всередині кришки зірочки. Зніміть кришку зірочки й пиляльний ланцюг з інструмента, після чого вичистіть тирсу та щіпки.

► **Рис.43**

Чищення отвору впорскування мастила

Протягом роботи в отворі впорскування мастила може накопичуватись дрібний пил або частки. Дрібний пил або частки, що накопичуються в мастильному фільтрі, перешкоджають постачанню мастила та призводять до недостатнього змащення всього пиляльного ланцюга. У разі недостатнього постачання мастила у верхню частину шини слід очистити отвір впорскування мастила наступним чином.

1. Зніміть кришку зірочки та пиляльний ланцюг з інструмента.
 2. Видаляйте дрібний пил або частки викруткою із шліцьовим наконечником або подібним предметом.
- **Рис.44:** 1. Шліцьова викрутка 2. Отвір впорскування мастила
3. Вставте касету з акумулятором в інструмент. Натисніть на курок вмикача, щоб змити накопичений пил шляхом упорскування мастила для ланцюга.
 4. Зніміть касету з акумулятором з інструмента. Встановіть на місце кришку зірочки та пиляльний ланцюг.

Заміна зірочки

⚠ОБЕРЕЖНО: Зношена зірочка може спричинити пошкодження нового пиляльного ланцюга. У такому випадку зірочку необхідно замінити.

Перед тим як встановлювати новий ланцюг, слід перевірити стан зірочки.

► **Рис.45:** 1. Зірочка 2. Місця зношення

У разі заміни зірочки слід завжди замінювати стопорне кільце.

► **Рис.46:** 1. Стопорне кільце 2. Зірочка

УВАГА: Переконайтеся, що зірочка встановлена, як показано на малюнку.

Зберігання інструмента

1. Перед зберіганням інструмент треба вичистити. Після зняття кришки зірочки з інструмента необхідно видалити всі щіпки та тирсу.
2. Після чищення інструмента йому слід дати попрацювати без навантаження для того, щоб змастити пиляльний ланцюг та шину.
3. Закрийте шину кожухом шини.
4. Спорожніть мастильний бак.

Інструкції щодо періодичного обслуговування

Щоб забезпечити тривалий термін служби, попередити пошкодження та гарантувати повноцінне функціонування засобів безпеки, слід регулярно виконувати такі роботи з технічного обслуговування інструмента. Претензії в рамках гарантійних зобов'язань приймаються тільки тоді, коли ці роботи регулярно проводились належним чином. Невиконання зазначених робіт із технічного обслуговування може призвести до нещасних випадків! Користувачу ланцюгової пили не дозволяється проводити роботи з технічного обслуговування, які не зазначені в цій інструкції з експлуатації. Усі такі роботи повинні здійснюватися в нашому авторизованому сервісному центрі.

Об'єкт перевірки / Час роботи	Перед початком роботи	Щодня	Щотижня	Кожні 3 місяці	Щороку	Перед зберіганням
Ланцюгова пила	Оглянути.	✓	-	-	-	-
	Очистити.	-	✓	-	-	-
	Перевірити в авторизованому сервісному центрі.	-	-	-	✓	✓
Пиляльний ланцюг	Оглянути.	✓	-	-	-	-
	Заточити в разі необхідності.	-	-	-	-	✓
Шина	Оглянути.	✓	✓	-	-	-
	Зняти з ланцюгової пили.	-	-	-	-	✓
Гальмо ланцюга	Перевірити функціонування.	✓	-	-	-	-
	Робити регулярний огляд у сервісному центрі.	-	-	-	✓	-
Змащування ланцюга	Перевірити рівень постачання мастила.	✓	-	-	-	-
Курок вмикача	Оглянути.	✓	-	-	-	-
Важіль блокування вимкненого положення	Оглянути.	✓	-	-	-	-
Кришка мастильного бака	Перевірити надійність затягнення.	✓	-	-	-	-
Обмежувач ланцюга	Оглянути.	-	-	✓	-	-
Гвинти та гайки	Оглянути.	-	-	✓	-	-

УСУНЕННЯ НЕСПРАВНОСТЕЙ

Перш ніж звертатися з приводу ремонту інструмента, проведіть його перевірку самостійно. У разі виявлення несправності, яку не описано в цьому посібнику, не намагайтеся розібрати інструмент. Натомість зверніться до авторизованих сервісних центрів Makita та використовуйте для ремонту тільки запасні частини виробництва компанії Makita.

Статус несправності	Причина	Дія
Ланцюгова пила не запускається.	Касета з акумулятором не встановлена.	Вставте заряджену касету з акумулятором.
	Проблема з акумулятором (низька напруга).	Зарядіть касету з акумулятором. Якщо зарядження не призвело до бажаного результату, замініть касету з акумулятором.
	Вимикач живлення вимкнений.	Ланцюгова пила автоматично вимикається, якщо нею не користуються протягом певного часу. Знову ввімкніть вимикач живлення.
Пиляльний ланцюг не рухається.	Гальмо ланцюга активоване.	Відпустіть гальмо ланцюга.
Мотор перестає працювати після короткочасного використання.	Низький рівень заряду акумулятора.	Зарядіть касету з акумулятором. Якщо зарядження не призвело до бажаного результату, замініть касету з акумулятором.
На ланцюзі немає мастила.	Масильний бак порожній.	Заповніть масильний бак.
	Забруднений напрямний паз для мастила.	Прочистіть паз.
	Погане постачання мастила.	Відрегулюйте кількість мастила, що постачається, за допомогою гвинта регулювання.
Ланцюгова пила не досягає максимальної швидкості обертання.	Касету з акумулятором встановлено неправильно.	Установіть касету з акумулятором, як описано в цьому посібнику.
	Заряд акумулятора зменшується.	Зарядіть касету з акумулятором. Якщо зарядження не призвело до бажаного результату, замініть касету з акумулятором.
	Система приводу працює неправильно.	Звертайтеся до авторизованого сервісного центру у вашому регіоні для проведення ремонту.
Індикатор живлення блимає зеленим.	Курок вмикача натиснуто за недопустимих для роботи умов.	Знову натисніть на курок вмикача, після того як вимикач живлення буде звільнено.
Ланцюг не зупиняється, навіть коли гальмо ланцюга активовано: негайно зупиніть інструмент!	Зношена стрічка гальма.	Звертайтеся до авторизованого сервісного центру у вашому регіоні для проведення ремонту.
Аномальна вібрація: негайно зупиніть інструмент!	Послабте шину або пиляльний ланцюг.	Відрегулюйте шину та натяг пиляльного ланцюга.
	Інструмент несправний.	Звертайтеся до авторизованого сервісного центру у вашому регіоні для проведення ремонту.
Ланцюг для пили неможливо встановити.	Неправильна комбінація ланцюга для пили й зірочки.	Використовуйте правильну комбінацію ланцюга для пили й зірочки (див. розділ технічних характеристик).

ДОДАТКОВЕ ПРИЛАДДЯ

⚠ ОБЕРЕЖНО: Це додаткове та допоміжне обладнання рекомендовано використовувати з інструментом Makita, зазначеним у цій інструкції з експлуатації. Використання будь-якого іншого додаткового та допоміжного обладнання може становити небезпеку травмування. Використовуйте додаткове та допоміжне обладнання лише за призначенням.

У разі необхідності отримати допомогу в більш детальному ознайомленні з оснащенням звертайтеся до місцевого сервісного центру Makita.

- Пиляльний ланцюг
- Шина

- Кожух шини
- Напилілок
- Сумка для інструмента
- Оригінальний акумулятор та зарядний пристрій Makita

⚠ ПОПЕРЕДЖЕННЯ: Якщо ви придбали шину іншої довжини, ніж стандартна, слід також придбати разом із нею відповідний кожух шини. Він має підходити до шини ланцюгової пили й повністю закривати її.

ПРИМІТКА: Деякі елементи списку можуть входити до комплекту інструмента як стандартне приладдя. Вони можуть відрізнятися залежно від країни.

ТЕХНИЧЕСКИЕ ХАРАКТЕРИСТИКИ

Модель:		UC014G	UC015G	UC016G	UC017G
Общая длина (без пильной шины)		445 мм			
Номинальное напряжение		36–40 В пост. тока макс.			
Масса нетто	*1	4,5 кг			
	*2	6,2 – 6,9 кг		6,2 - 6,9 кг	
Стандартная длина направляющей шины		300 мм	350 мм	400 мм	450 мм
Рекомендуемая длина направляющей шины		300 - 450 мм			
Применимый тип пильной цепи (см. таблицу ниже)		91PX 80TXL			
Звездочка (91PX)	Количество зубьев	6			
	Шаг	3/8"			3/8 дюйма
Звездочка (80TXL)	Количество зубьев	7			
	Шаг	0,325 дюйма			
Скорость цепи		0 - 25,5 м/с (0 - 1 530 м/мин)			
Объем маслобака		260 см ³			
Степень защиты		IPX4			

• Благодаря нашей постоянно действующей программе исследований и разработок указанные здесь технические характеристики могут быть изменены без предварительного уведомления.

• Технические характеристики могут различаться в зависимости от страны.

*1: Масса без пильной цепи, стержня направляющей, крышки пильной шины, масла и блока (блоков) аккумулятора.

*2: Наименьшая и наибольшая совокупная масса согласно процедуре ЕРТА 01/2014. Масса может отличаться в зависимости от дополнительного оборудования; блок (блоки) аккумулятора также считается дополнительным оборудованием.

Сочетание пильной цепи, стержня направляющей и звездочки

Тип пильной цепи		91PX			
Количество приводных звеньев		46	52	56	62
Пильная шина	Длина пильной шины	300 мм	350 мм	400 мм	450 мм
	Длина распила	268 мм	324 мм	361 мм	418 мм
	Шаг	3/8"			
	Измеритель	1,3 мм			
	Тип	Шина с концевой звездочкой			
Звездочка	Количество зубьев	6			
	Шаг	3/8"			

Тип пильной цепи		80TXL			
Количество приводных звеньев		51	59	64	70
Пильная шина	Длина пильной шины	300 мм	350 мм	400 мм	450 мм
	Длина распила	259 мм	325 мм	366 мм	416 мм
	Шаг	0,325 дюйма			
	Измеритель	1,1 мм			
	Тип	Шина с концевой звездочкой			
Звездочка	Количество зубьев	7			
	Шаг	0,325 дюйма			

▲ ОСТОРОЖНО: Используйте подходящее сочетание пильной шины и пильной цепи. Несоблюдение этой рекомендации может привести к травме.

Подходящий блок аккумулятора и зарядное устройство

Блок аккумулятора	BL4040 / BL4050F* *: рекомендуемый аккумулятор
Зарядное устройство	DC40RA / DC40RB / DC40RC

- В зависимости от региона проживания некоторые блоки аккумуляторов и зарядные устройства, перечисленные выше, могут быть недоступны.

⚠ ОСТОРОЖНО: Используйте только перечисленные выше блоки аккумуляторов и зарядные устройства. Использование других блоков аккумуляторов и зарядных устройств может привести к травме и/или пожару.

Рекомендованный источник электропитания с проводным подключением

Портативный блок питания	PDC01
--------------------------	-------

- В некоторых регионах определенные модели перечисленных выше источников электропитания с проводным подключением могут быть недоступны.
- Перед началом использования источника электропитания с проводным подключением изучите инструкцию и предупреждающие надписи на нем.

Символы

Ниже приведены символы, которые могут использоваться для обозначения оборудования. Перед использованием убедитесь в том, что вы понимаете их значение.

	Прочитайте руководство по эксплуатации.
	Надевайте защитные очки.
	Используйте средства защиты слуха.
	Надевайте каску, защитные очки и используйте средства защиты слуха.
	Максимально допустимая длина среза
	Во время работы цепную пилу следует держать двумя руками.
	Помните об отдаче пильной цепи и избегайте контакта с кончиком шины.
	Направление движения цепи
	Регулировка подачи масла к пильной цепи



Только для стран ЕС
В связи с наличием в оборудовании опасных компонентов отходы электрического и электронного оборудования, аккумуляторы и батареи могут оказывать негативное влияние на окружающую среду и здоровье человека. Не выбрасывайте электрические и электронные устройства или батареи вместе с бытовыми отходами!
В соответствии с директивой ЕС по отходам электрического и электронного оборудования, по аккумуляторам, батареям и отходам аккумуляторов и батарей, а также в соответствии с ее адаптацией к национальному законодательству, отходы электрического оборудования, батареи и аккумуляторы следует хранить отдельно и доставлять на пункт раздельного сбора коммунальных отходов, работающий с соблюдением правил охраны окружающей среды. Это обозначено символом в виде перечеркнутого мусорного контейнера на колесах, нанесенным на оборудование.



Гарантированный уровень звуковой мощности в соответствии с Директивой ЕС по шумам вне помещений.



Уровень звуковой мощности в соответствии с Регламентом Австралии (Новый Южный Уэльс) по контролю за шумом

Назначение

Эта пила предназначена для распиливания древесины.

Шум

Типичный уровень взвешенного звукового давления (A), измеренный в соответствии с EN62841-4-1:

Модель UC014G

Уровень звукового давления (L_{pA}): 91 дБ (A)
Уровень звуковой мощности (L_{WA}): 102 дБ (A)
Погрешность (K): 3 дБ (A)

Модель UC015G

Уровень звукового давления (L_{pA}): 91 дБ (A)
Уровень звуковой мощности (L_{WA}): 102 дБ (A)
Погрешность (K): 3 дБ (A)

Модель UC016G

Уровень звукового давления (L_{pA}): 91 дБ (А)

Уровень звуковой мощности (L_{WA}): 102 дБ (А)

Погрешность (К): 3 дБ (А)

Модель UC017G

Уровень звукового давления (L_{pA}): 91 дБ (А)

Уровень звуковой мощности (L_{WA}): 102 дБ (А)

Погрешность (К): 3 дБ (А)

ПРИМЕЧАНИЕ: Заявленное значение распространения шума измерено в соответствии со стандартной методикой испытаний и может быть использовано для сравнения инструментов.

ПРИМЕЧАНИЕ: Заявленное значение распространения шума можно также использовать для предварительных оценок воздействия.

⚠ ОСТОРОЖНО: Используйте средства защиты слуха.

⚠ ОСТОРОЖНО: Распространение шума во время фактического использования электроинструмента может отличаться от заявленного значения в зависимости от способа применения инструмента и в особенности от типа обрабатываемой детали.

⚠ ОСТОРОЖНО: Обязательно определите меры безопасности для защиты оператора, основанные на оценке воздействия в реальных условиях использования (с учетом всех этапов рабочего цикла, таких как выключение инструмента, работа без нагрузки и включение).

Вибрация

Суммарное значение вибрации (сумма векторов по трем осям), определенное в соответствии с EN62841-4-1:

Модель UC014G

Рабочий режим: распиливание древесины

Распространение вибрации ($a_{h,w}$): 5,0 м/с²

Погрешность (К): 1,5 м/с²

Модель UC015G

Рабочий режим: распиливание древесины

Распространение вибрации ($a_{h,w}$): 5,0 м/с²

Погрешность (К): 1,5 м/с²

Модель UC016G

Рабочий режим: распиливание древесины

Распространение вибрации ($a_{h,w}$): 5,0 м/с²

Погрешность (К): 1,5 м/с²

Модель UC017G

Рабочий режим: распиливание древесины

Распространение вибрации ($a_{h,w}$): 5,0 м/с²

Погрешность (К): 1,5 м/с²

ПРИМЕЧАНИЕ: Заявленное общее значение распространения вибрации измерено в соответствии со стандартной методикой испытаний и может быть использовано для сравнения инструментов.

ПРИМЕЧАНИЕ: Заявленное общее значение распространения вибрации можно также использовать для предварительных оценок воздействия.

⚠ ОСТОРОЖНО: Распространение вибрации во время фактического использования электроинструмента может отличаться от заявленного значения в зависимости от способа применения инструмента и в особенности от типа обрабатываемой детали.

⚠ ОСТОРОЖНО: Обязательно определите меры безопасности для защиты оператора, основанные на оценке воздействия в реальных условиях использования (с учетом всех этапов рабочего цикла, таких как выключение инструмента, работа без нагрузки и включение).

Декларация о соответствии ЕС

Только для европейских стран

Декларация о соответствии ЕС включена в руководство по эксплуатации (Приложение А).

МЕРЫ БЕЗОПАСНОСТИ

Общие рекомендации по технике безопасности для электроинструментов

⚠ ОСТОРОЖНО: Ознакомьтесь со всеми представленными инструкциями по технике безопасности, указаниями, иллюстрациями и техническими характеристиками, прилагаемыми к данному электроинструменту. Несоблюдение каких-либо инструкций, указанных ниже, может привести к поражению электрическим током, пожару и/или серьезной травме.

Сохраните брошюру с инструкциями и рекомендациями для дальнейшего использования.

Термин "электроинструмент" в предупреждениях относится ко всему инструменту, работающему от сети (с проводом) или на аккумуляторах (без провода).

Общие правила техники безопасности при использовании цепной пилы

1. Не дотрагивайтесь до пильной цепи во время работы цепной пилы. Перед началом работы убедитесь в том, что пильная цепь ни к чему не прикасается. Секундная невнимательность при работе с цепной пилой может привести к захлестыванию вашей одежды или частей тела пильной цепью.
2. Всегда беритесь правой рукой за заднюю ручку цепной пилы, а левой – за переднюю. Держать цепную пилу по-другому запрещено из-за повышения риска травмирования при работе с ней.

3. **Держите цепную пилу только за специальные изолированные поверхности, поскольку при выполнении работ существует риск контакта пильной цепи со скрытой электропроводкой.** Контакт пильной цепи с проводом под напряжением приведет к тому, что металлические детали цепной пилы также окажутся под напряжением, что приведет к поражению оператора электрическим током.
4. **Используйте защитные очки. Рекомендуется использовать дополнительные средства защиты головы, рук, ног и органов слуха.** Надлежащее защитное оборудование снижает риск получения травм от летящих частиц или при случайном прикосновении к пильной цепи.
5. **Не используйте цепную пилу, находясь на дереве, на лестнице, крыше или любой неустойчивой опоре.** Эксплуатация цепной пилы таким образом может привести к тяжелым травмам.
6. **Всегда твердо стойте на ногах; используйте цепную пилу только стоя на неподвижной, надежной и ровной поверхности.** Скользящая или неустойчивая поверхность может стать причиной потери равновесия или контроля над цепной пилой.
7. **Отрезая сук, находящийся под нагрузкой, помните о возможной отдаче.** Когда напряжение в волокнах дерева исчезнет, ветка может ударить оператора и/или выбить из рук цепную пилу.
8. **Соблюдайте особую осторожность при резании кустарника и молодых деревьев.** Пильная цепь может застрять в гибком материале, в результате чего вас может хлестнуть веткой, или вы можете потерять равновесие в результате рывка.
9. **Переносите цепную пилу только за переднюю ручку, в выключенном состоянии, не поднося к телу. На время транспортировки или хранения цепной пилы обязательно надевайте крышку пильной шины.** Правильное обращение с цепной пилой снижает риск случайного прикосновения к движущейся пильной цепи.
10. **Следуйте инструкциям по нанесению смазки, регулировке натяжения цепи и замене шины и цепи.** Из-за неправильного натяжения или смазки цепи увеличивается риск поломки или отдачи.
11. **Разрешается использовать только для резки дерева. Используйте цепную пилу только по назначению. Например: не используйте цепную пилу для резки металла, пластмассы, кирпича или строительных материалов, изготовленных не из дерева.** Использование цепной пилы не по назначению может привести к опасным ситуациям.
12. **Не пытайтесь свалить дерево, пока не проанализируете все риски и не поймете, как их избежать.** Во время валки дерева оператору или посторонним лицам могут быть нанесены тяжелые травмы.
13. **Причины отдачи и меры их предотвращения оператором:**
Отдача возможна в случае, если передняя часть или кончик пильной шины коснется какого-либо предмета или если дерево сдавит и зажмет пильную цепь в процессе резания. В некоторых случаях касание кончиком пилы может внезапно отбросить пильную шину вверх и назад в сторону оператора. Защемление пильной цепи у верхней части пильной шины может отбросить пильную шину назад к оператору. Любая из этих реакций может стать причиной потери контроля над пилой и привести к тяжелым травмам. Не полагайтесь только на предохранительные устройства пилы. Как оператор цепной пилы, вы должны принять меры для обеспечения безопасной работы. Отдача – это результат неправильного использования цепной пилы и/или неправильных процедур или условий эксплуатации. Ее можно избежать, соблюдая указанные далее меры предосторожности.
 - **Крепко удерживайте инструмент, обхватив рукоятки пилы двумя руками; положение тела и рук следует выбрать таким образом, чтобы быть готовым к отдаче.** Если приняты соответствующие меры предосторожности, оператор способен справиться с силой отдачи. Не выпускайте цепную пилу из рук.

► **Рис.1**

- **Не старайтесь дотянуться до объектов за пределами досягаемости и не пилите на высоте выше уровня плеч.** Это поможет предотвратить непреднамеренный контакт кончика пилы и лучше управлять цепной пилой в непредвиденных ситуациях.
 - **Используйте сменные стержни направляющей и пильные цепи только рекомендованного производителем типа.** Использование других сменных стержней направляющих и пильных цепей может привести к разрыву цепи и/или отдаче.
 - **Следуйте инструкциям производителя по заточке и обслуживанию цепной пилы.** Уменьшение высоты глубиномера может привести к увеличению силы отдачи.
14. **При удалении застрявшего материала, хранения или обслуживании цепной пилы соблюдайте все инструкции. Убедитесь в том, что переключатель выключен и аккумулятор извлечен.** Неожиданное срабатывание цепной пилы во время удаления застрявших предметов или обслуживания может привести к тяжелым травмам.

Дополнительные инструкции по технике безопасности

Индивидуальные средства защиты

1. Одежда должна быть достаточно облегающей, но не должна сковывать движений.
2. Во время выполнения работ используйте следующие средства индивидуальной защиты:
 - Сертифицированную защитную каску, в случае наличия опасности от падающих веток и т. п.;

- Защитную маску или защитные очки;
- Соответствующие средства защиты слуха (наушники или беруши). Октавный анализ модели по запросу.
- Прочные кожаные защитные перчатки;
- Длинные брюки, изготовленные из прочной ткани;
- Защитные брюки из ткани, устойчивой к порезам;
- Ботинки или сапоги для безопасной работы с нескользящей подошвой, стальным носком и тканевой подкладкой, устойчивой к порезам;
- Респиратор при выполнении работ, приводящих к образованию пыли (например, распиливание сухой древесины).

Эксплуатация

1. **Перед началом работы убедитесь, что цепная пила находится в нормальном рабочем состоянии и соответствует нормативным требованиям техники безопасности. В частности, убедитесь, что:**
 - тормоз цепи работает нормально;
 - тормоз для нерабочего состояния работает нормально;
 - шина и крышка звездочки установлены правильно;
 - цепь наточена и натянута в соответствии с требованиями.
2. **Не включайте цепную пилу, если на ней установлена крышка цепи.** В противном случае крышка цепи может оторваться и быть отброшена вперед, причинив травмы или повреждения окружающих предметов.
3. **При использовании инструмента в грязи, на влажном склоне или на скользкой поверхности будьте осторожны, чтобы не поскользнуться.**
4. **Не допускайте погружения инструмента в лужи.**
5. **Не оставляйте инструмент без присмотра под открытым небом в дождь.**

Электробезопасность

1. **Избегайте опасных сред. Не используйте инструмент в местах с повышенной влажностью и под дождем.** Попавшая в инструмент вода повышает опасность поражения электрическим током.
2. **Не бросайте аккумуляторные блоки в огонь.** Они могут взорваться. Уточните местные правила утилизации аккумуляторов.
3. **Не вскрывайте и не разбивайте аккумуляторы.** Содержащийся в них электролит очень едкий, вы можете повредить глаза или кожу. При проглатывании это вещество может вызвать отравление.
4. **Не заряжайте аккумулятор под дождем или в местах с повышенной влажностью.**
5. **Не заряжайте аккумулятор на улице.**
6. **Не касайтесь зарядного устройства, а также штекера и контактов зарядного устройства влажными руками.**

7. **Запрещается заменять аккумулятор под дождем.**
8. **Запрещается выполнять замену аккумулятора мокрыми руками.**
9. **Запрещается оставлять аккумулятор под дождем, а также заряжать, использовать или хранить аккумулятор в местах с повышенной влажностью.**
10. **Избегайте смачивания клемм аккумулятора жидкостью, например водой, и не допускайте погружения аккумулятора в жидкость.** Намокание клеммы или попадание жидкости внутрь аккумулятора могут привести к короткому замыканию аккумулятора, его перегреву, возгоранию или взрыву.
11. **После извлечения аккумулятора из газоночесилки или зарядного устройства обязательно присоедините к аккумулятору крышку отсека аккумулятора и оставьте его в сухом месте.**
12. **В случае попадания воды на блок аккумулятора вылейте воду из блока и протрите его сухой тканью.** Прежде чем использовать блок аккумулятора, дайте ему полностью высохнуть в сухом месте.

Техническое обслуживание и хранение

1. **Не храните инструмент в помещениях с высокой влажностью или температурой, на солнце или под дождем.**

СОХРАНИТЕ ДАННЫЕ ИНСТРУКЦИИ.

⚠ОСТОРОЖНО: НЕ ДОПУСКАЙТЕ, чтобы удобство или опыт эксплуатации данного устройства (полученный от многократного использования) доминировали над строгим соблюдением правил техники безопасности при обращении с этим устройством. **НЕПРАВИЛЬНОЕ ИСПОЛЬЗОВАНИЕ** инструмента или несоблюдение правил техники безопасности, указанных в данном руководстве, может привести к тяжелой травме.

Важные правила техники безопасности для работы с аккумуляторным блоком

1. **Перед использованием аккумуляторного блока прочитайте все инструкции и предупреждающие надписи на (1) зарядном устройстве, (2) аккумуляторном блоке и (3) инструменте, работающем от аккумуляторного блока.**
2. **Не разбирайте блок аккумулятора и не меняйте его конструкцию.** Это может привести к пожару, перегреву или взрыву.
3. **Если время работы аккумуляторного блока значительно сократилось, немедленно прекратите работу.** В противном случае, может возникнуть перегрев блока, что приведет к ожогам и даже к взрыву.

4. В случае попадания электролита в глаза промойте их обильным количеством чистой воды и немедленно обратитесь к врачу. Это может привести к потере зрения.
5. Не замыкайте контакты аккумуляторного блока между собой:
 - (1) Не прикасайтесь к контактам какими-либо токопроводящими предметами.
 - (2) Не храните аккумуляторный блок в контейнере вместе с другими металлическими предметами, такими как гвозди, монеты и т. п.
 - (3) Не допускайте попадания на аккумуляторный блок воды или дождя.

Замыкание контактов аккумуляторного блока между собой может привести к возникновению большого тока, перегреву, возможным ожогам и даже поломке блока.
6. Не храните и не используйте инструмент и аккумуляторный блок в местах, где температура может достигать или превышать 50 °C (122 °F).
7. Не бросайте аккумуляторный блок в огонь, даже если он сильно поврежден или полностью вышел из строя. Аккумуляторный блок может взорваться под действием огня.
8. Запрещено вбивать гвозди в блок аккумулятора, резать, ломать, бросать, ронять блок аккумулятора или ударять его твердым предметом. Это может привести к пожару, перегреву или взрыву.
9. Не используйте поврежденный аккумуляторный блок.
10. Входящие в комплект литий-ионные аккумуляторы должны эксплуатироваться в соответствии с требованиями законодательства об опасных товарах.

При коммерческой транспортировке, например, третьей стороной или экспедитором, необходимо нанести на упаковку специальные предупреждения и маркировку.

В процессе подготовки устройства к отправке обязательно проконсультируйтесь со специалистом по опасным материалам. Также соблюдайте местные требования и нормы. Они могут быть строже.

Закройте или закрепите разомкнутые контакты и упакуйте аккумулятор так, чтобы он не перемещался по упаковке.
11. Для утилизации блока аккумулятора извлеките его из инструмента и утилизируйте безопасным способом. Выполняйте требования местного законодательства по утилизации аккумуляторного блока.
12. Используйте аккумуляторы только с продукцией, указанной Makita. Установка аккумуляторов на продукцию, не соответствующую требованиям, может привести к пожару, перегреву, взрыву или утечке электролита.
13. Если инструментом не будут пользоваться в течение длительного периода времени, извлеките аккумулятор из инструмента.
14. Во время и после использования блок аккумулятора может нагреваться, что может стать причиной ожогов или низкотемпературных ожогов. Будьте осторожны при обращении с горячим блоком аккумулятора.
15. Не прикасайтесь к контактам инструмента сразу после использования, поскольку они могут быть достаточно горячими, чтобы вызвать ожоги.
16. Не допускайте налипания на контакты, отверстия и пазы блока аккумулятора опилок, пыли или земли. Это может стать причиной перегрева, возгорания, взрыва или неисправности инструмента или блока аккумулятора, что может привести к ожогам или травмам.
17. Если инструмент не рассчитан на использование вблизи высоковольтных линий электропередач, не используйте блок аккумулятора вблизи высоковольтных линий электропередач. Это может привести к неисправности, поломке инструмента или блока аккумулятора.
18. Храните аккумулятор в недоступном для детей месте.

СОХРАНИТЕ ДАННЫЕ ИНСТРУКЦИИ.

▲ВНИМАНИЕ: Используйте только фирменные аккумуляторные батареи Makita. Использование аккумуляторных батарей, не произведенных Makita, или батарей, которые были подвергнуты модификациям, может привести к взрыву аккумулятора, пожару, травмам и повреждению имущества. Это также автоматически аннулирует гарантию Makita на инструмент и зарядное устройство Makita.

Советы по обеспечению максимального срока службы аккумулятора

1. Заряжайте блок аккумуляторов перед его полной разрядкой. Обязательно прекратите работу с инструментом и зарядите блок аккумуляторов, если вы заметили снижение мощности инструмента.
2. Никогда не подзаряжайте полностью заряженный блок аккумуляторов. Перезарядка сокращает срок службы аккумулятора.
3. Заряжайте блок аккумуляторов при комнатной температуре в 10 - 40 °C (50 - 104 °F). Перед зарядкой горячего блока аккумулятора дайте ему остыть.
4. Если блок аккумулятора не используется, извлеките его из инструмента или зарядного устройства.
5. Зарядите ионно-литиевый аккумуляторный блок, если вы не будете пользоваться инструментом длительное время (более шести месяцев).

ОПИСАНИЕ ДЕТАЛЕЙ

► Рис.2

1	Блок аккумулятора	2	Передняя защита руки	3	Рычаг
4	Пильная шина	5	Пильная цепь	6	Регулировочный диск
7	Основной индикатор питания	8	Основной переключатель питания	9	Рычаг разблокировки
10	Задняя ручка	11	Триггерный переключатель	12	Передняя ручка
13	Крышка маслобака	14	Крышка пильной шины	15	Винт регулировки масляного насоса
16	Уловитель цепи	-	-	-	-

ОПИСАНИЕ РАБОТЫ

▲ВНИМАНИЕ: Перед регулировкой или проверкой функций инструмента обязательно убедитесь, что он выключен и его аккумуляторный блок снят.

Установка или снятие блока аккумуляторов

▲ВНИМАНИЕ: Обязательно выключайте инструмент перед установкой и извлечением аккумуляторного блока.

▲ВНИМАНИЕ: При установке и извлечении аккумуляторного блока крепко удерживайте инструмент и аккумуляторный блок. Если не соблюдать это требование, они могут выскользнуть из рук, что приведет к повреждению инструмента, аккумуляторного блока и травмированию оператора.

► Рис.3: 1. Красный индикатор 2. Кнопка 3. Блок аккумулятора

Для снятия аккумуляторного блока нажмите кнопку на лицевой стороне и извлеките блок.

Для установки блока аккумулятора совместите выступ блока аккумулятора с пазом в корпусе и задвиньте его на место. Устанавливайте блок до упора, чтобы он зафиксировался с небольшим щелчком. Если вы видите красный индикатор, как показано на рисунке, он не зафиксирован полностью.

▲ВНИМАНИЕ: Обязательно устанавливайте блок аккумулятора до конца, чтобы красный индикатор не был виден. В противном случае блок аккумулятора может выпасть из инструмента и нанести травму вам или другим людям.

▲ВНИМАНИЕ: Не прилагайте чрезмерных усилий при установке аккумуляторного блока. Если блок не двигается свободно, значит он вставлен неправильно.

Индикация оставшегося заряда аккумулятора

Нажмите кнопку проверки на аккумуляторном блоке для проверки заряда. Индикаторы загорятся на несколько секунд.

► Рис.4: 1. Индикаторы 2. Кнопка проверки

Индикаторы			Уровень заряда
Горит	Выкл.	Мигает	
■ ■ ■ ■			от 75 до 100%
■ ■ ■ □			от 50 до 75%
■ ■ □ □			от 25 до 50%
■ □ □ □			от 0 до 25%
▬ □ □ □			Зарядите аккумуляторную батарею.
■ ■ □ □	↑ ↓	□ □ ■ ■	Возможно, аккумуляторная батарея неисправна.

ПРИМЕЧАНИЕ: В зависимости от условий эксплуатации и температуры окружающего воздуха индикация может незначительно отличаться от фактического значения.

ПРИМЕЧАНИЕ: Первая (дальняя левая) индикаторная лампа будет мигать во время работы защитной системы аккумулятора.

Система защиты инструмента/аккумулятора

На инструменте предусмотрена система защиты инструмента/аккумулятора. Она автоматически отключает питание двигателя для продления срока службы инструмента и аккумулятора. Инструмент автоматически остановится во время работы в следующих случаях:

Защита от перегрузки

Если из-за способа эксплуатации аккумулятор потребляет аномально высокий ток, он автоматически выключится, а основной индикатор питания начнет мигать зеленым. В этом случае выключите инструмент и прекратите работу, повлекшую перегрузку инструмента. Затем включите инструмент для перезапуска.

Защита от перегрева

При перегреве инструмента или аккумулятора инструмент автоматически останавливается, а основной индикатор питания начинает гореть красным. В этом случае дайте инструменту и аккумулятору остыть перед повторным включением.

ПРИМЕЧАНИЕ: Защита от перегрева с высокой вероятностью сработает в условиях высокой температуры, а инструмент остановится автоматически.

Защита от переразрядки

Если емкости аккумулятора недостаточно, инструмент остановится автоматически, а основной индикатор питания начнет мигать красным. В этом случае извлеките аккумулятор из инструмента и зарядите его.

Защита от других неполадок

Система защиты также рассчитана на другие неполадки, способные вывести инструмент из строя, и обеспечивает автоматический останов инструмента. В случае временной остановки или прекращения работы инструмента выполните все перечисленные ниже действия для устранения причин остановки.

1. Выключите и снова включите инструмент для его перезапуска.
2. Зарядите аккумулятор(-ы) или замените его/их на заряженный(-е).
3. Дайте устройству и аккумулятору(-ам) возможность остыть.

Если после восстановления системы защиты ситуация не изменится, обратитесь в сервисный центр Makita.

ПРИМЕЧАНИЕ: Если инструмент останавливается по причине, не описанной выше, см. раздел, касающийся поиска и устранения неисправностей.

Основной переключатель питания

▲ОСТОРОЖНО: Держите основной переключатель питания выключенным, когда он не используется.

Для включения инструмента нажмите главный переключатель питания. Основной индикатор питания загорится зеленым цветом. Для выключения нажмите главный переключатель питания еще раз.

- **Рис.5:** 1. Основной индикатор питания
2. Главный переключатель питания

ПРИМЕЧАНИЕ: Если триггерный переключатель нажимается в условиях, когда эксплуатация невозможна, основной индикатор питания начинает мигать зеленым. Индикатор начинает мигать в указанных ниже случаях.

- Если вы включили главный переключатель питания, удерживая нажатым рычаг блокировки в выключенном положении или триггерный переключатель.
- Если вы потянули за триггерный переключатель при активированном тормозе цепи.
- Если вы отпустили тормоз цепи, удерживая рычаг блокировки в выключенном положении и триггерный переключатель нажатыми.

ПРИМЕЧАНИЕ: Этот инструмент оснащен функцией автоматического отключения. Для предотвращения случайного запуска главный переключатель питания автоматически отключается, если триггерный переключатель не был нажат в течение определенного времени после включения главного переключателя питания.

Действие выключателя

▲ОСТОРОЖНО: В целях безопасности инструмент оснащен рычагом разблокировки, который предотвращает случайное включение инструмента. **ЗАПРЕЩАЕТСЯ** использовать инструмент после нажатия триггерного переключателя без включения рычага разблокировки. Верните инструмент в авторизованный сервисный центр для надлежащего ремонта ДО продолжения его эксплуатации.

▲ОСТОРОЖНО: ЗАПРЕЩЕНО фиксировать рычаг разблокировки при помощи липкой ленты и вносить изменения в его конструкцию.

▲ВНИМАНИЕ: Перед установкой аккумуляторного блока в инструмент обязательно убедитесь, что его триггерный переключатель нормально работает и возвращается в положение "OFF" (ВЫКЛ) при отпускании.

ПРИМЕЧАНИЕ: Не давите сильно на триггерный переключатель, не нажав на рычаг разблокировки. Это может привести к поломке переключателя.

Для предотвращения случайного нажатия триггерного переключателя инструмент оборудован рычагом блокировки в выключенном положении. Для запуска инструмента нажмите рычаг блокировки в выключенном положении, затем потяните триггерный переключатель. Для повышения рабочей частоты нажмите триггерный переключатель сильнее. Для остановки отпустите триггерный переключатель.

- **Рис.6:** 1. Триггерный переключатель 2. Рычаг разблокировки

Проверка тормоза цепи

ВНИМАНИЕ: При включении держите цепную пилу двумя руками. Правой рукой возьмитесь за заднюю ручку, а левой – за переднюю. Шина и цепь не должны находиться в контакте с каким-либо предметом.

ВНИМАНИЕ: Если при выполнении этой проверки пильная цепь не остановилась сразу же, эксплуатация пилы запрещена. Обратитесь в авторизованный сервисный центр.

1. Нажмите на рычаг разблокировки, затем потяните триггерный переключатель. Пильная цепь запустится незамедлительно.
 2. Тыльной стороной руки переместите защиту руки вперед. Цепная пила должна сразу же остановиться.
- **Рис.7:** 1. Передняя защита руки 2. Положение разблокировки 3. Положение блокировки

Проверка тормоза для остановки цепи, когда пила выключена

ВНИМАНИЕ: Если во время проведения этой проверки пильная цепь не останавливается в течение одной секунды, прекратите эксплуатацию данной цепной пилы и обратитесь в авторизованный сервисный центр.

Включите цепную пилу, затем полностью отпустите триггерный переключатель. Пильная цепь должна остановиться в течение приблизительно одной секунды.

Регулировка смазки цепи

Скорость подачи масла насосом можно корректировать с помощью регулировочного винта. Количество подаваемого масла можно регулировать с помощью универсального гаечного ключа.

- **Рис.8:** 1. Регулировочный винт

СБОРКА

ВНИМАНИЕ: Перед проведением каких-либо работ с инструментом обязательно убедитесь, что инструмент отключен, а блок аккумулятора снят.

ВНИМАНИЕ: Не прикасайтесь к пильной цепи голыми руками. При работе с пильной цепью обязательно надевайте защитные перчатки.

Установка или снятие пильной цепи

ВНИМАНИЕ: После окончания эксплуатации пильная цепь и пильная шина остаются горячими. Дождитесь, пока они остынут, прежде чем выполнять какие-либо работы с инструментом.

ВНИМАНИЕ: Процедуру установки и снятия пильной цепи необходимо осуществлять в чистом месте, где нет опилок или других инородных предметов.

Установка пильной цепи

Чтобы установить пильную цепь, выполните следующие действия:

1. Отпустите тормоз цепи, потянув за переднюю защиту руки.
 2. Потяните рычаг вверх и одновременно с этим надавите на его край.
- **Рис.9:** 1. Рычаг

3. Поворачивайте рычаг против часовой стрелки до тех пор, пока не будет возможно снять звездочку.
- **Рис.10:** 1. Рычаг 2. Крышка звездочки

4. Снимите крышку звездочки.
 5. Проверьте направление движения пильной цепи. Направление пильной цепи должно совпадать с направлением, обозначенным отметкой на корпусе цепной пилы.
- **Рис.11:** 1. Метка на корпусе цепной пилы

6. Поместите один конец пильной цепи на верхнюю часть стержня направляющей.
 7. Расположите другой конец пильной цепи вокруг звездочки, а затем прикрепите пильную шину к корпусу цепной пилы.
- **Рис.12:** 1. Звездочка

8. Поверните регулировочный диск в направлении «-» для перемещения регулирующего штифта в направлении, показанном стрелкой.
- **Рис.13:** 1. Регулировочный диск
2. Регулировочный штифт

9. Установите крышку звездочки на цепную пилу так, чтобы регулировочный штифт располагался в небольшом отверстии пильной шины.
- **Рис.14:** 1. Крышка звездочки 2. Пильная шина
3. Отверстие

10. Поверните рычаг до упора по часовой стрелке, а затем немного назад, чтобы сохранить уровень ослабления для регулировки натяжения цепи.

11. Отрегулируйте натяжение цепи. См. описание процедуры в разделе о регулировке натяжения пильной цепи.

12. Поворачивайте рычаг по часовой стрелке, пока крышка звездочки не будет надежно закреплена, а затем верните его в первоначальное положение.
- **Рис.15:** 1. Рычаг 2. Крышка звездочки

Снятие пильной цепи

Чтобы снять пильную цепь, выполните следующие действия:

1. Отпустите тормоз цепи, потянув за переднюю защиту руки.
 2. Поверните регулировочный диск в направлении «-» для ослабления пильной цепи.
- **Рис.16:** 1. Регулировочный диск

3. Потяните рычаг вверх и одновременно с этим надавите на его край.
- **Рис.17:** 1. Рычаг

4. Поворачивайте рычаг против часовой стрелки до тех пор, пока не будет возможно снять звездочку.
- **Рис.18:** 1. Рычаг 2. Крышка звездочки

5. Снимите крышку звездочки, а затем отсоедините пильную цепь и пильную шину от корпуса цепной пилы.

Регулирование натяжения пильной цепи

ВНИМАНИЕ: Процедуру установки и снятия пильной цепи необходимо осуществлять в чистом месте, где нет опилок или других инородных предметов.

ВНИМАНИЕ: Не перетягивайте пильную цепь. Слишком сильное натяжение пильной цепи может привести к ее разрыву, износу направляющей шины и поломке ручки регулировки.

ВНИМАНИЕ: Слишком слабо натянутая цепь может соскочить с шины, что создаст риск получения травмы.

После многочасового использования пильная цепь может ослабнуть. Перед использованием периодически проверяйте натяжение пильной цепи.

1. Потяните рычаг вверх и одновременно с этим надавите на его край.

► **Рис.19:** 1. Рычаг

2. Немного поверните рычаг против часовой стрелки, чтобы слегка ослабить крышку звездочки.

► **Рис.20:** 1. Рычаг 2. Крышка звездочки

3. Слегка поднимите наконечник пильной шины и отрегулируйте натяжение цепи. Чтобы ослабить регулировочное кольцо, поверните его в сторону «-», чтобы затянуть — в сторону «+». Натягивайте пильную цепь до тех пор, пока нижняя сторона пильной цепи не войдет в паз направляющей шины, как показано на рисунке.

► **Рис.21:** 1. Регулировочный диск 2. Пильная шина 3. Пильная цепь

4. Затяните крышку звездочки, придерживая при этом пильную шину. Убедитесь, что пильная цепь не провисает с нижней стороны.

5. Верните рычаг в первоначальное положение.

Убедитесь, что пильная цепь плотно посажена с нижней стороны шины.

ЭКСПЛУАТАЦИЯ

Смазка

ВНИМАНИЕ: Не используйте цепную пилу при пустом баке. Масло необходимо своевременно доливать до момента опорожнения бака.

ВНИМАНИЕ: Не допускайте попадания масла на кожу и в глаза. Попадание в глаза вызывает раздражение. В случае попадания в глаза немедленно промойте пораженный глаз чистой водой и сразу обратитесь к врачу.

ВНИМАНИЕ: Ни в коем случае не пользуйтесь отработанным маслом. Отработанное масло содержит канцерогенные вещества. Загрязняющие примеси в отработанном масле вызывают ускоренный износ масляного насоса, шины и цепи. Отработанное масло наносит вред окружающей среде.

ПРИМЕЧАНИЕ: При первом использовании цепной пилы может потребоваться до двух минут, пока масло для пильной цепи не начнет смазывать механизм пилы. Запустите пилу без нагрузки, чтобы смазать механизм.

ПРИМЕЧАНИЕ: При первой заливке масла или при его добавлении после полного опорожнения емкости заливайте масло до нижнего края заливной горловины. В противном случае, подача масла может быть нарушена.

ПРИМЕЧАНИЕ: Смазывайте пильные цепи только специальным маслом для цепных пил Makita или аналогичным ему.

ПРИМЕЧАНИЕ: Запрещается использовать загрязненное пылью и прочими частицами масло или летучую смазку.

ПРИМЕЧАНИЕ: При обрезке деревьев используйте масло растительного происхождения. При использовании минерального масла существует вероятность повреждения деревьев.

ПРИМЕЧАНИЕ: Прежде чем приступать к резке, убедитесь, что крышка масляного бака завинчена.

Смазка пильной цепи осуществляется автоматически во время работы. Периодически проверяйте количество масла в баке через контрольное окно уровня масла.

► **Рис.22:** 1. Крышка маслобака 2. Контрольное окно уровня масла

Чтобы залить масло, выполните указанные далее действия.

1. Тщательно очистите участок вокруг крышки масляного бака, чтобы предотвратить попадание грязи в масляный бак.

2. Положите цепную пилу на бак.

3. Нажмите кнопку на крышке масляного бака, чтобы кнопка на другой стороне поднялась, затем снимите крышку масляного бака, повернув ее.

► **Рис.23:** 1. Крышка маслобака 2. Затянуть 3. Ослабить

4. Заполните масляный бак маслом. Необходимое количество масла – 260 мл.

5. Плотно закрутите крышку масляного бака.

6. Тщательно вытрите пролитое масло для цепи.

ПРИМЕЧАНИЕ: Если крышку масляного бака снять трудно, вставьте накидной ключ в паз крышки масляного бака и снимите крышку масляного бака, повернув ее против часовой стрелки.

► **Рис.24:** 1. Гнездо 2. Накидной ключ

После долива удерживайте пилу на расстоянии от дерева. Включите пилу и подождите, пока пильная цепь не будет смазана должным образом.

► **Рис.25**

Эксплуатация цепной пилы

⚠ВНИМАНИЕ: Если вы пользуетесь пилой впервые, рекомендуется пилить бревна на козлах или опорной раме.

⚠ВНИМАНИЕ: При распиловке подготовленных бревен используйте надежную опору (козлы или опорную раму). Не придерживайте разрезаемую заготовку ногой и не позволяйте делать это другим.

⚠ВНИМАНИЕ: Круглые детали фиксируйте в направлении, противоположном направлению вращения.

⚠ВНИМАНИЕ: Не приближайте пильную цепь к какому-либо частям тела, если электродвигатель работает.

⚠ВНИМАНИЕ: При работающем электродвигателе крепко держите цепную пилу двумя руками.

⚠ВНИМАНИЕ: При эксплуатации устройства не тянитесь. Всегда сохраняйте устойчивое положение и равновесие.

ПРИМЕЧАНИЕ: Не кидайте и не роняйте инструмент.

ПРИМЕЧАНИЕ: Не закрывайте вентиляционные отверстия инструмента.

Перед включением цепной пилы поднесите корпус инструмента к ветке, которую вы собираетесь распилить, так, чтобы пила и ветка соприкасались. В противном случае направляющая шина начнет дрожать и ранит оператора. При распиливании опускайте дерево вниз, используя вес цепной пилы.

► Рис.26

Если ветку нельзя распилить за один заход: Слегка надавливая на ручку и продолжая пилить, немного подайте пилу назад, затем установите зубчатый бампер немного ниже и завершите распил, подняв ручку.

► Рис.27

Раскрывка

1. Используйте дерево, которое собираетесь распилить, в качестве опоры для корпуса цепной пилы.

► Рис.28

2. При работающей пильной цепи сделайте запил, используя заднюю ручку для подъема пилы и переднюю рукоятку для ее направления. Используйте зубчатый бампер как точку поворота.

3. Продолжите пиление, прилагая небольшое усилие к передней ручке и немного ослабляя заднюю часть пилы. Переместите зубчатый бампер в бревно дальше вниз и снова поднимите переднюю ручку.

ПРИМЕЧАНИЕ: При выполнении нескольких распилов выключайте пилу между выполнением распилов.

⚠ВНИМАНИЕ: Если для распиливания используется верхний край шины, цепная пила может выгнуться в вашем направлении, если цепь пилы заклинит. Во избежание этого выполняйте пиление нижним краем шины, чтобы пила изгибалась в сторону от вашего тела.

► Рис.29

При распиливании древесины под давлением начинать распиливание необходимо со стороны воздействия давления (А). Окончательный распил выполняется со стороны возникновения растяжения (В). Такой способ пиления позволит избежать зажима шины.

► Рис.30

Обрезка сучьев

⚠ВНИМАНИЕ: Обрезка сучьев должна выполняться только опытными рабочими. При обрезке сучьев существует риск возникновения отдачи.

При обрезке сучьев при возможности используйте ствол в качестве опоры. Не пилите концом шины, так как это приведет к возникновению риска отдачи. Особое внимание обрабатывайте на ветки, находящиеся в напряженном состоянии. Не пилите снизу ветки, не имеющие опоры.

Во время раскрывки не стойте на поваленном бревне.

Врезка и пиление параллельно волокнам

⚠ВНИМАНИЕ: Врезка и пиление параллельно волокнам могут выполняться только лицами, прошедшими специальное обучение. Возможность возникновения отдачи может привести к травме.

Пиление параллельно волокнам должно выполняться под минимальным углом. Соблюдайте максимальную осторожность при пилении из-за невозможности использования зубчатого бампера.

► Рис.31

Валка леса

⚠ВНИМАНИЕ: Валка леса должна выполняться только опытными рабочими. Эта работа очень опасна.

Если вы хотите спилить дерево, соблюдайте местные нормативы.

► Рис.32: 1. Площадь вырубки

— Перед началом работ по валке леса убедитесь, что:

- В непосредственной близости от места работ находится только персонал, связанный с работами по валке;
- Все лица, связанные с выполнением валки, имеют свободный путь отхода в пределах угла в 45° в каждую сторону от оси падения дерева. Рассмотрите вероятность возникновения дополнительного риска от падения дерева на электрические провода;
- Копель дерева в месте его пиления не имеет инородных предметов, корней и веток;
- В том направлении, куда будет падать дерево, люди или предметы находятся на расстоянии, в 2 1/2 раза превышающем высоту спиливаемого дерева.

- При спиливании каждого дерева следует также учитывать следующие факторы:
 - направление наклона;
 - наличие оторванных или сухих ветвей;
 - высота дерева;
 - естественный свес;
 - является ли дерево гнилым или нет.
 - Учитывайте скорость и направление ветра. Не спиливайте деревья при сильных порывах ветра.
 - Обрезка корневых наплывов: Начиная с самых больших наплывов. Сначала сделайте вертикальный запил и затем горизонтальный.
 - Стойте сбоку от падающего дерева. Обеспечьте наличие свободного участка сзади падающего дерева в пределах угла в 45° в каждую сторону от оси падения дерева (см. рисунок "Площадь вырубki"). Обращайте внимание на падающие ветви.
 - До начала работ необходимо предусмотреть и расчистить (при необходимости) маршрут аварийного покидания территории. Он должен проходить назад и по диагонали от предполагаемой линии валки, как показано на рисунке.
- **Рис.33:** 1. Направление валки деревьев
2. Опасная зона 3. Маршрут эвакуации

При валке леса необходимо соблюдать следующие инструкции:

1. Делайте запил как можно ближе к поверхности земли. Сначала сделайте горизонтальный запил на глубину 1/5-1/3 диаметра бревна. Не делайте его слишком широким. Затем сделайте диагональный запил.

► **Рис.34**

ПРИМЕЧАНИЕ: Запил определяет направление падения дерева и помогает этому. Он делается с той стороны, куда будет падать дерево.

2. Сделайте задний рез немного выше основания запила. Задний рез должен быть точно горизонтальным. Оставьте около 1/10 диаметра дерева между задним резом и запилом. Волокна древесины в нераспиленной части дерева будут действовать как шарнир. Своевремен вставьте клинья в задний рез.

► **Рис.35**

⚠ОСТОРОЖНО: Ни при каких обстоятельствах не пропиливайте волокна до конца. Несоблюдение этой рекомендации приведет к тому, что дерево упадет, а направление его падения будет невозможно предугадать.

ПРИМЕЧАНИЕ: Для сохранения зазора заднего реза следует использовать только пластиковые или алюминиевые клинья. Использование железных клиньев запрещено.

Переноска инструмента

Перед переноской инструмента необходимо включить тормоз цепи и снять блок аккумулятора с инструмента. Затем наденьте крышку пильной шины. Также закройте блок аккумулятора крышкой аккумуляторного отсека.

- **Рис.36:** 1. Крышка пильной шины 2. Крышка аккумуляторной батареи

ОБСЛУЖИВАНИЕ

⚠ВНИМАНИЕ: Перед проведением проверки или работ по техобслуживанию всегда проверяйте, что инструмент выключен, а блок аккумулятора снят.

⚠ВНИМАНИЕ: При выполнении осмотра или обслуживания всегда надевайте перчатки.

ПРИМЕЧАНИЕ: Запрещается использовать бензин, растворители, спирт и другие подобные жидкости. Это может привести к обесцвечиванию, деформации и трещинам.

Для обеспечения БЕЗОПАСНОСТИ и НАДЕЖНОСТИ оборудования ремонт, любое другое техобслуживание или регулировку необходимо производить в уполномоченных сервис-центрах Makita или сервис-центрах предприятия с использованием только сменных частей производства Makita.

Заточка пильной цепи

Выполните заточку пильной цепи, если:

- При пилении влажной древесины образуются рыхлые опилки;
- Цепь с трудом входит в древесину даже при приложении значительного усилия на пилу;
- Края распилы имеют явные повреждения;
- Пилу при пилении тянет влево или вправо. (из-за неравномерной заточки пильной цепи или повреждения только с одной стороны)

Выполняйте заточку пильной цепи достаточно часто, но понемногу. Для заточки пилы при проведении повседневного ухода обычно достаточно двух или трех проходов напильником. После нескольких заточек заточите пильную цепь в авторизованном сервисном центре.

Требования к заточке:

⚠ОСТОРОЖНО: Слишком большое расстояние между режущей кромкой и глубиномером повышает риск отбрасывания инструмента из-за отдачи.

- **Рис.37:** 1. Длина режущего элемента
2. Расстояние между режущей кромкой и глубиномером 3. Минимальная длина зубьев (3 мм)

- Длина всех зубьев должна быть одинаковой. Зубья разной длины будут затруднять плавное движение пильной цепи и могут привести к ее разрыву.
- Если длина зубьев пильной цепи 3 мм или меньше, затачивать цепь запрещается. Вместо этого ее необходимо заменить.
- Толщина опилок определяется расстоянием между глубиномером (круглый выступ) и краем режущей кромки.
- Наилучшие результаты достигаются при соблюдении следующего расстояния между режущей кромкой и глубиномером.
 - Цепное лезвие 91PX : 0,65 мм
 - Цепное лезвие 80TXL : 0,65 мм

► **Рис.38**

- Угол заточки в 30° должен соблюдаться на всех зубьях. Разница в углах заточки может привести к резкому и неравномерному движению цепи, ускоренному износу и к разрыву цепи.
- Необходимо использовать подходящий круглый напильник, чтобы угол заточки был направлен от зубьев.
 - Цепное лезвие 91PX : 55°
 - Цепное лезвие 80TXL : 55°

Напильник и заточка напильником

- Для заточки цепей пилы используйте специальный круглый напильник (дополнительная принадлежность). Обычные круглые напильники не подходят для заточки цепей.
- Диаметр круглого напильника для каждой пильной цепи:
 - Цепное лезвие 91PX : 4,0 мм
 - Цепное лезвие 80TXL : 4,0 мм
- Напильник должен стачивать зуб только при движении вперед. При перемещении напильника назад приподнимайте его над зубьями.
- Сначала наточите самый короткий зуб. Длина этого зуба будет служить ориентиром для остальных зубьев пильной цепи.
- Направляйте напильник, как показано на рисунке.

► **Рис.39:** 1. Напильник 2. Пильная цепь

- При использовании держателя напильника (дополнительная принадлежность) направлять напильник будет значительно легче. Держатель напильника имеет метки для правильного угла заточки в 30° (совместите метки параллельно с пильной цепью) и ограничивает глубину проникновения (до 4/5 диаметра напильника).

► **Рис.40:** 1. Держатель напильника

- После заточки цепи проверьте высоту глубиномера, используя для этого измерительный инструмент для цепи (дополнительная принадлежность).
- **Рис.41**
- Удалите любые, даже небольшие, выступы материала при помощи специального плоского напильника (дополнительная принадлежность).
 - Закруглите еще раз переднюю часть глубиномера.

Очистка пильной шины

В пазах пильной шины накапливаются щепки и опилки. Это может привести к засорению паза и ухудшить ток масла. Поэтому при заточке или замене пильной цепи необходимо выполнять очистку от щепок и опилок.

► **Рис.42**

Очистка крышки звездочки

Во внутренней части крышки звездочки накапливаются щепки и опилки. Поэтому необходимо снимать крышку звездочки и отсоединять пильную цепь от инструмента, а затем выполнять очистку от щепок и опилок.

► **Рис.43**

Очистка отверстия для подачи масла

Во время работы мелкая пыль или частицы могут скапливаться в отверстии для подачи масла. Они могут негативно повлиять на подачу масла и привести к недостаточной смазке всей пильной цепи. В случае ухудшения подачи масла к цепи в верхней части пильной шины очистите отверстие для подачи масла следующим образом.

1. Снимите крышку звездочки и пильную цепь с инструмента.
2. Удалите мелкую пыль или частицы плоской отверткой или аналогичным инструментом.

► **Рис.44:** 1. Шлицевая отвертка 2. Отверстие нагнетания масла

3. Вставьте блок аккумулятора в инструмент. Нажмите на триггерный переключатель для вымывания пыли и мелких частиц через отверстие подачи масла.

4. Выньте блок аккумулятора из инструмента. Установите крышку звездочки и пильную цепь обратно на инструмент.

Замена звездочки

⚠ВНИМАНИЕ: Изношенная звездочка приведет к повреждению новой пильной цепи. Во избежание этого замените звездочку.

Перед установкой новой пильной цепи проверьте состояние звездочки.

► **Рис.45:** 1. Звездочка 2. Подвергающиеся износу участки

При замене звездочки всегда устанавливайте новое блокирующее кольцо.

► **Рис.46:** 1. Блокирующее кольцо 2. Звездочка

ПРИМЕЧАНИЕ: Убедитесь, что звездочка была установлена, как показано на рисунке.

Хранение инструмента

1. Перед хранением почистите пилу. Сняв крышку звездочки, удалите щепки и опилки.
2. После очистки инструмента включите его на холостом ходу, чтобы смазать пильную цепь и пильную шину.
3. Закройте пильную шину крышкой.
4. Опорожните масляный бак.

Указания по периодическому обслуживанию

Чтобы обеспечить продолжительный срок эксплуатации, предотвратить повреждения и обеспечить правильную работу защитных устройств, необходимо регулярно проводить обслуживание. Гарантийные претензии принимаются только при условии надлежащего и регулярного выполнения этих работ. Невыполнение обязательного обслуживания может стать причиной происшествий! Пользователь цепной пилы не должен проводить обслуживание, не описанное в настоящем руководстве. Все подобные работы должны выполняться только в авторизованном сервисном центре.

Элемент, подлежащий проверке / Время эксплуатации		Перед началом работы	Ежедневно	Еженедельно	Каждые 3 месяца	Ежегодно	Перед хранением
Цепная пила	Осмотр.	✓	-	-	-	-	-
	Очистка.	-	✓	-	-	-	-
	Проверьте в авторизованном сервисном центре.	-	-	-	-	✓	✓
Пильная цепь	Осмотр.	✓	-	-	-	-	-
	При необходимости заточите.	-	-	-	-	-	✓
Пильная шина	Осмотр.	✓	✓	-	-	-	-
	Снимите с цепной пилы.	-	-	-	-	-	✓
Тормоз цепи	Проверьте работу.	✓	-	-	-	-	-
	Регулярно передавать для осмотра в авторизованный сервисный центр.	-	-	-	✓	-	-
Смазка цепи	Проверьте скорость подачи масла.	✓	-	-	-	-	-
Триггерный переключатель	Осмотр.	✓	-	-	-	-	-
Рычаг разблокировки	Осмотр.	✓	-	-	-	-	-
Крышка маслобака	Проверьте герметичность.	✓	-	-	-	-	-
Уловитель цепи	Осмотр.	-	-	✓	-	-	-
Винты и гайки	Осмотр.	-	-	✓	-	-	-

ПОИСК И УСТРАНЕНИЕ НЕИСПРАВНОСТЕЙ

Прежде чем обращаться по поводу ремонта, проведите осмотр самостоятельно. Если обнаружена неисправность, не указанная в руководстве, не пытайтесь разобрать инструмент. Обратитесь в один из авторизованных сервисных центров Makita, в которых для ремонта всегда используются оригинальные детали Makita.

Неисправность	Причина	Действие
Цепная пила не включается.	Не вставлен блок аккумулятора.	Установите заряженный блок аккумулятора.
	Неисправен аккумулятор (низкое напряжение).	Подзарядите блок аккумулятора. Если подзарядка не помогает, замените блок аккумулятора.
	Основной переключатель питания выключен.	Цепная пила автоматически отключается при бездействии в течение определенного времени. Снова включите основной переключатель питания.
Пильная цепь не работает.	Включен тормоз цепи.	Отпустите тормоз цепи.
После непродолжительного использования двигатель останавливается.	Низкий уровень заряда аккумулятора.	Подзарядите блок аккумулятора. Если подзарядка не помогает, замените блок аккумулятора.
Нет масла на цепи.	Масляный бак пуст.	Заполните масляный бак.
	Загрязнен направляющий желоб для масла.	Очистите желоб.
	Недостаточная подача масла.	Отрегулируйте подачу масла с помощью винта регулировки.
Цепная пила не достигает максимального числа оборотов в минуту.	Неправильно установлен блок аккумулятора.	Вставьте блок аккумулятора, как описано в настоящем руководстве.
	Заряд аккумулятора падает.	Зарядите блок аккумулятора. Если перезарядка не помогает, замените блок аккумулятора.
	Привод работает неправильно.	Обратитесь в авторизованный сервисный центр в вашем регионе для выполнения ремонта.
Основной индикатор питания мигает зеленым.	Триггерный переключатель активирован в условиях, когда эксплуатация невозможна.	Включите основной переключатель питания и отпустите тормоз цепи. После этого потяните триггерный переключатель.
Цепь не останавливается даже после включения тормоза цепи: Немедленно остановите инструмент!	Тормозная лента износилась.	Обратитесь в авторизованный сервисный центр в вашем регионе для выполнения ремонта.
Сильная вибрация: Немедленно остановите инструмент!	Ослабьте пильную шину или пильную цепь.	Отрегулируйте натяжение пильной шины и пильной цепи.
	Неисправность инструмента.	Обратитесь в авторизованный сервисный центр в вашем регионе для выполнения ремонта.
Невозможно установить пильную цепь.	Неправильное сочетание пильной цепи и звездочки.	Используйте правильную комбинацию пильной цепи и звездочки (см. раздел технических характеристик).

ДОПОЛНИТЕЛЬНЫЕ ПРИНАДЛЕЖНОСТИ

ВНИМАНИЕ: Данные принадлежности или приспособления рекомендуются для использования с инструментом Makita, указанным в настоящем руководстве. Использование других принадлежностей или приспособлений может привести к получению травмы. Используйте принадлежность или приспособление только по указанному назначению.

Если вам необходимо содействие в получении дополнительной информации по этим принадлежностям, свяжитесь с вашим сервис-центром Makita.

- Пильная цепь
- Пильная шина

- Крышка пильной шины
- Напильник
- Сумка для инструмента
- Оригинальный аккумулятор и зарядное устройство Makita

ОСТОРОЖНО: При покупке пильной шины, которая отличается по длине от стандартной модели, вместе с ней необходимо также приобрести крышку пильной шины подходящего размера. Убедитесь, что эта крышка подходит и полностью закрывает пильную шину цепной пилы.

ПРИМЕЧАНИЕ: Некоторые элементы списка могут входить в комплект инструмента в качестве стандартных приспособлений. Они могут отличаться в зависимости от страны.

Makita Europe N.V. Jan-Baptist Vinkstraat 2,
3070 Kortenberg, Belgium

Makita Corporation 3-11-8, Sumiyoshi-cho,
Anjo, Aichi 446-8502 Japan

www.makita.com

885959-961 EN, SL, SQ, BG, HR, MK, SR, RO, UK, RU 20211203
--