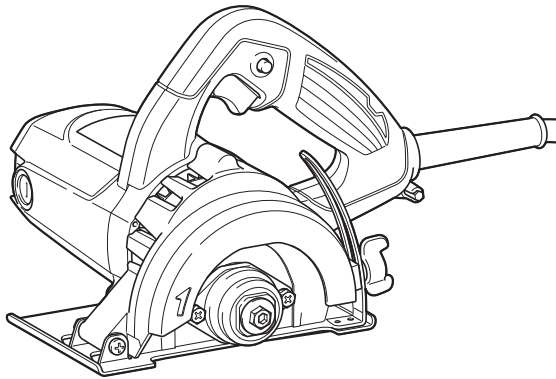




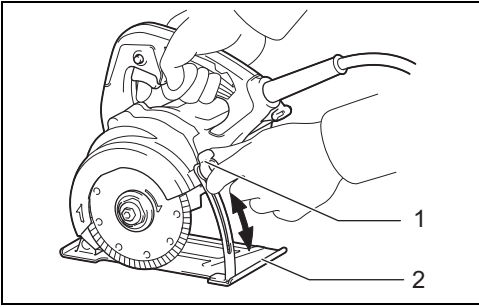
GB	Cutter	Instruction manual
ID	Alat Pemotong	Petunjuk penggunaan
VI	Máy Cắt Đá Cầm Tay Hoạt Động Bằng Động Cơ Điện	Tài liệu hướng dẫn
TH	เครื่องตัด	คู่มือการใช้งาน

4100NH3



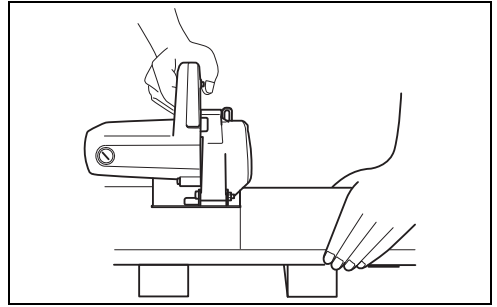
013765





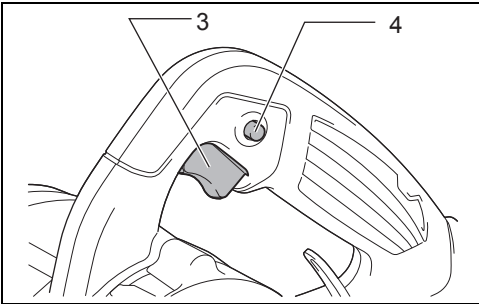
1

013769



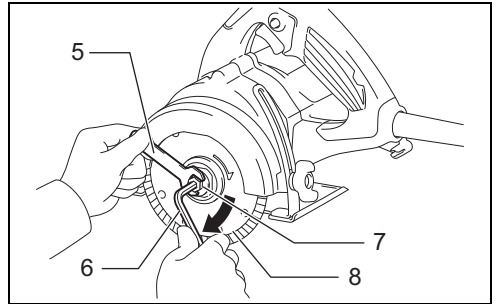
2

001674



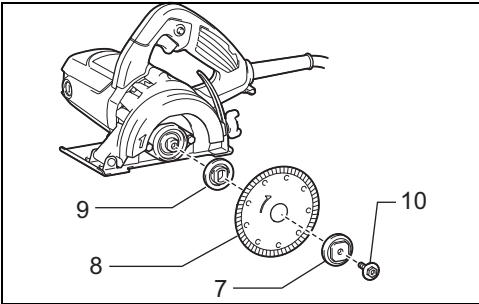
3

013740



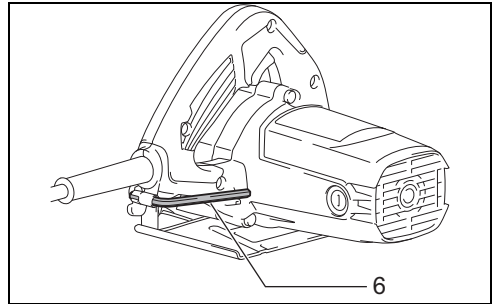
4

013766



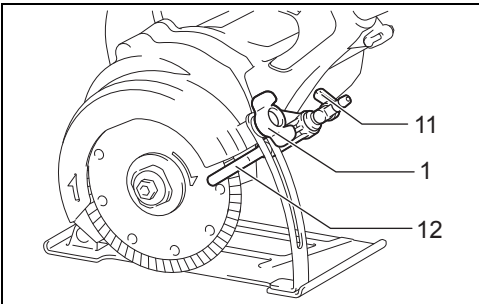
5

013767



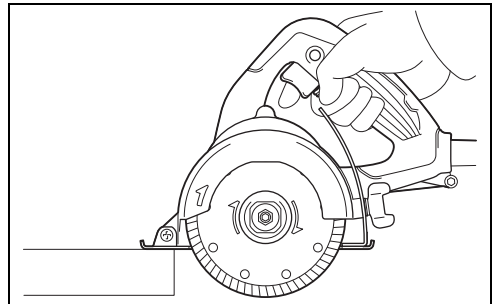
6

013768



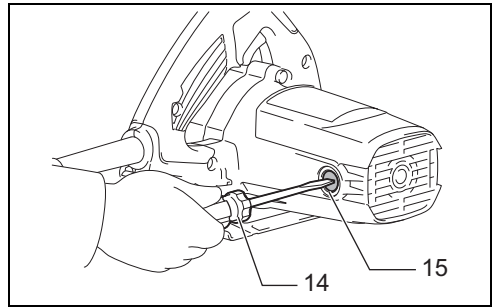
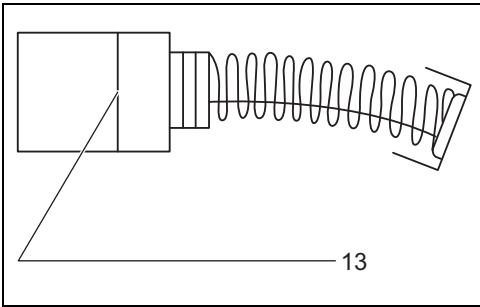
7

013738



8

013770



ENGLISH (Original instructions)

Explanation of general view

- | | | |
|--------------------------------|------------------|----------------------|
| 1. Wing bolt | 6. Hex wrench | 11. Water cock |
| 2. Base | 7. Outer flange | 12. Water pipe |
| 3. Switch trigger | 8. Diamond wheel | 13. Limit mark |
| 4. Lock button/Lock-off button | 9. Inner flange | 14. Screwdriver |
| 5. Wrench | 10. Hex bolt | 15. Brush holder cap |

SPECIFICATIONS

Model	4100NH3
Blade diameter	110 mm
Hole diameter	20 mm
Max. diamond wheel thickness	2.0 mm
Max. cutting capacity	32 mm
Rated speed (n)/No load speed (n ₀)	13,000 min ⁻¹
Overall length	227 mm
Net weight	2.9 kg
Safety class	□/II

- Due to our continuing program of research and development, the specifications herein are subject to change without notice.
- Specifications may differ from country to country.
- Weight according to EPTA-Procedure 01/2003

Symbols

END202-8

The following show the symbols used for the equipment. Be sure that you understand their meaning before use.



..... Read instruction manual.



..... DOUBLE INSULATION



..... Wear safety glasses.

Intended use

ENE023-2

The tool is intended for cutting in brick, concrete and stone.

Power supply

ENF002-2

The tool should be connected only to a power supply of the same voltage as indicated on the nameplate, and can only be operated on single-phase AC supply. They are double-insulated and can, therefore, also be used from sockets without earth wire.

General Power Tool Safety Warnings

GEA005-3

⚠ WARNING Read all safety warnings and all instructions. Failure to follow the warnings and instructions may result in electric shock, fire and/or serious injury.

Save all warnings and instructions for future reference.

The term “power tool” in the warnings refers to your mains-operated (corded) power tool or battery-operated (cordless) power tool.

Work area safety

1. **Keep work area clean and well lit.** Cluttered or dark areas invite accidents.
2. **Do not operate power tools in explosive atmospheres, such as in the presence of flammable liquids, gases or dust.** Power tools create sparks which may ignite the dust or fumes.
3. **Keep children and bystanders away while operating a power tool.** Distractions can cause you to lose control.

Electrical safety

4. **Power tool plugs must match the outlet. Never modify the plug in any way. Do not use any adapter plugs with earthed (grounded) power tools.** Unmodified plugs and matching outlets will reduce risk of electric shock.
5. **Avoid body contact with earthed or grounded surfaces such as pipes, radiators, ranges and refrigerators.** There is an increased risk of electric shock if your body is earthed or grounded.
6. **Do not expose power tools to rain or wet conditions.** Water entering a power tool will increase the risk of electric shock.
7. **Do not abuse the cord. Never use the cord for carrying, pulling or unplugging the power tool. Keep cord away from heat, oil, sharp edges or moving parts.** Damaged or entangled cords increase the risk of electric shock.

8. **When operating a power tool outdoors, use an extension cord suitable for outdoor use.** Use of a cord suitable for outdoor use reduces the risk of electric shock.
9. **If operating a power tool in a damp location is unavoidable, use a residual current device (RCD) protected supply.** Use of an RCD reduces the risk of electric shock.
10. **Use of power supply via a RCD with a rated residual current of 30 mA or less is always recommended.**

Personal safety

11. **Stay alert, watch what you are doing and use common sense when operating a power tool. Do not use a power tool while you are tired or under the influence of drugs, alcohol or medication.** A moment of inattention while operating power tools may result in serious personal injury.
12. **Use personal protective equipment. Always wear eye protection.** Protective equipment such as dust mask, non-skid safety shoes, hard hat, or hearing protection used for appropriate conditions will reduce personal injuries.
13. **Prevent unintentional starting. Ensure the switch is in the off-position before connecting to power source and/or battery pack, picking up or carrying the tool.** Carrying power tools with your finger on the switch or energising power tools that have the switch on invites accidents.
14. **Remove any adjusting key or wrench before turning the power tool on.** A wrench or a key left attached to a rotating part of the power tool may result in personal injury.
15. **Do not overreach. Keep proper footing and balance at all times.** This enables better control of the power tool in unexpected situations.
16. **Dress properly. Do not wear loose clothing or jewellery. Keep your hair, clothing, and gloves away from moving parts.** Loose clothes, jewellery or long hair can be caught in moving parts.
17. **If devices are provided for the connection of dust extraction and collection facilities, ensure these are connected and properly used.** Use of dust collection can reduce dust-related hazards.

Power tool use and care

18. **Do not force the power tool. Use the correct power tool for your application.** The correct power tool will do the job better and safer at the rate for which it was designed.
19. **Do not use the power tool if the switch does not turn it on and off.** Any power tool that cannot be controlled with the switch is dangerous and must be repaired.
20. **Disconnect the plug from the power source and/or the battery pack from the power tool before making any adjustments, changing accessories, or storing power tools.** Such preventive safety measures reduce the risk of starting the power tool accidentally.
21. **Store idle power tools out of the reach of children and do not allow persons unfamiliar with the power tool or these instructions to operate the**

power tool. Power tools are dangerous in the hands of untrained users.

22. **Maintain power tools. Check for misalignment or binding of moving parts, breakage of parts and any other condition that may affect the power tool's operation. If damaged, have the power tool repaired before use.** Many accidents are caused by poorly maintained power tools.
 23. **Keep cutting tools sharp and clean.** Properly maintained cutting tools with sharp cutting edges are less likely to bind and are easier to control.
 24. **Use the power tool, accessories and tool bits etc. in accordance with these instructions, taking into account the working conditions and the work to be performed.** Use of the power tool for operations different from those intended could result in a hazardous situation.
- #### Service
25. **Have your power tool serviced by a qualified repair person using only identical replacement parts.** This will ensure that the safety of the power tool is maintained.
 26. **Follow instruction for lubricating and changing accessories.**
 27. **Keep handles dry, clean and free from oil and grease.**

CUTTER SAFETY WARNINGS

GEB025-6

1. **The guard provided with the tool must be securely attached to the power tool and positioned for maximum safety, so the least amount of wheel is exposed towards the operator. Position yourself and bystanders away from the plane of the rotating wheel.** The guard helps to protect operator from broken wheel fragments and accidental contact with wheel.
2. **Use only diamond cut-off wheels for your power tool.** Just because an accessory can be attached to your power tool, it does not assure safe operation.
3. **The rated speed of the accessory must be at least equal to the maximum speed marked on the power tool.** Accessories running faster than their rated speed can break and fly apart.
4. **Wheels must be used only for recommended applications. For example: do not grind with the side of cut-off wheel.** Abrasive cut-off wheels are intended for peripheral grinding, side forces applied to these wheels may cause them to shatter.
5. **Always use undamaged wheel flanges that are of correct diameter for your selected wheel.** Proper wheel flanges support the wheel thus reducing the possibility of wheel breakage.
6. **The outside diameter and the thickness of your accessory must be within the capacity rating of your power tool.** Incorrectly sized accessories cannot be adequately guarded or controlled.
7. **The arbour size of wheels and flanges must properly fit the spindle of the power tool.** Wheels and flanges with arbour holes that do not match the mounting hardware of the power tool will run out of balance, vibrate excessively and may cause loss of control.

8. **Do not use damaged wheels. Before each use, inspect the wheels for chips and cracks. If power tool or wheel is dropped, inspect for damage or install an undamaged wheel. After inspecting and installing the wheel, position yourself and bystanders away from the plane of the rotating wheel and run the power tool at maximum no load speed for one minute.** Damaged wheels will normally break apart during this test time.
9. **Wear personal protective equipment. Depending on application, use face shield, safety goggles or safety glasses. As appropriate, wear dust mask, hearing protectors, gloves and shop apron capable of stopping small abrasive or workpiece fragments.** The eye protection must be capable of stopping flying debris generated by various operations. The dust mask or respirator must be capable of filtrating particles generated by your operation. Prolonged exposure to high intensity noise may cause hearing loss.
10. **Keep bystanders a safe distance away from work area. Anyone entering the work area must wear personal protective equipment.** Fragments of workpiece or of a broken wheel may fly away and cause injury beyond immediate area of operation.
11. **Hold the power tool by insulated gripping surfaces only, when performing an operation where the cutting accessory may contact hidden wiring or its own cord.** Cutting accessory contacting a "live" wire may make exposed metal parts of the power tool "live" and could give the operator an electric shock.
12. **Position the cord clear of the spinning accessory.** If you lose control, the cord may be cut or snagged and your hand or arm may be pulled into the spinning wheel.
13. **Never lay the power tool down until the accessory has come to a complete stop.** The spinning wheel may grab the surface and pull the power tool out of your control.
14. **Do not run the power tool while carrying it at your side.** Accidental contact with the spinning accessory could snag your clothing, pulling the accessory into your body.
15. **Regularly clean the power tool's air vents.** The motor's fan will draw the dust inside the housing and excessive accumulation of powdered metal may cause electrical hazards.
16. **Do not operate the power tool near flammable materials.** Sparks could ignite these materials.

Kickback and related warnings

Kickback is a sudden reaction to a pinched or snagged rotating wheel. Pinching or snagging causes rapid stalling of the rotating wheel which in turn causes the uncontrolled power tool to be forced in the direction opposite of the wheel's rotation at the point of the binding.

For example, if an abrasive wheel is snagged or pinched by the workpiece, the edge of the wheel that is entering into the pinch point can dig into the surface of the material causing the wheel to climb out or kick out. The wheel may either jump toward or away from the operator, depending on direction of the wheel's movement at the point of pinching. Abrasive wheels may also break under these conditions.

Kickback is the result of power tool misuse and/or incorrect operating procedures or conditions and can be avoided by taking proper precautions as given below.

- a) **Maintain a firm grip on the power tool and position your body and arm to allow you to resist kickback forces. Always use auxiliary handle, if provided, for maximum control over kickback or torque reaction during start-up.** The operator can control torque reactions or kickback forces, if proper precautions are taken.
 - b) **Never place your hand near the rotating accessory.** Accessory may kickback over your hand.
 - c) **Do not position your body in line with the rotating wheel.** Kickback will propel the tool in direction opposite to the wheel's movement at the point of snagging.
 - d) **Use special care when working corners, sharp edges etc. Avoid bouncing and snagging the accessory.** Corners, sharp edges or bouncing have a tendency to snag the rotating accessory and cause loss of control or kickback.
 - e) **Do not attach a saw chain, woodcarving blade, segmented diamond wheel with a peripheral gap greater than 10 mm or toothed saw blade.** Such blades create frequent kickback and loss of control.
 - f) **Do not "jam" the wheel or apply excessive pressure. Do not attempt to make an excessive depth of cut.** Overstressing the wheel increases the loading and susceptibility to twisting or binding of the wheel in the cut and the possibility of kickback or wheel breakage.
 - g) **When wheel is binding or when interrupting a cut for any reason, switch off the power tool and hold the power tool motionless until the wheel comes to a complete stop. Never attempt to remove the wheel from the cut while the wheel is in motion otherwise kickback may occur.** Investigate and take corrective action to eliminate the cause of wheel binding.
 - h) **Do not restart the cutting operation in the workpiece. Let the wheel reach full speed and carefully re-enter the cut.** The wheel may bind, walk up or kickback if the power tool is restarted in the workpiece.
 - i) **Support panels or any oversized workpiece to minimize the risk of wheel pinching and kickback.** Large workpieces tend to sag under their own weight. Supports must be placed under the workpiece near the line of cut and near the edge of the workpiece on both sides of the wheel.
 - j) **Use extra caution when making a "pocket cut" into existing walls or other blind areas.** The protruding wheel may cut gas or water pipes, electrical wiring or objects that can cause kickback.
17. **Before using a segmented diamond wheel, make sure that the diamond wheel has the peripheral gap between segments of 10 mm or less, only with a negative rake angle.**

Additional Safety Warnings:

18. **Never attempt to cut with the tool held upside down in a vise. This can lead to serious accidents, because it is extremely dangerous.**

19. Some material contains chemicals which may be toxic. Take caution to prevent dust inhalation and skin contact. Follow material supplier safety data.
20. Store wheels as per manufacturer recommendations. Improper storage may damage the wheels.

SAVE THESE INSTRUCTIONS.

WARNING:

DO NOT let comfort or familiarity with product (gained from repeated use) replace strict adherence to safety rules for the subject product. **MISUSE** or failure to follow the safety rules stated in this instruction manual may cause serious personal injury.

FUNCTIONAL DESCRIPTION

CAUTION:

- Always be sure that the tool is switched off and unplugged before adjusting or checking function on the tool.

Adjusting the depth of cut (Fig. 1)

Loosen the wing bolt on the depth guide and move the base up or down. At the desired depth of cut, secure the base by tightening the wing bolt.

CAUTION:

- After adjusting depth of cut, always tighten the wing bolt securely.

Sighting (Fig. 2)

Align the edge of the front of the base with your cutting line on the workpiece.

Switch action (Fig. 3)

CAUTION:

- Before plugging in the tool, always check to see that the switch trigger actuates properly and returns to the "OFF" position when released.

For tool with lock button

To start the tool, simply pull the switch trigger. Release the switch trigger to stop. For continuous operation, pull the switch trigger, push in the lock button and then release the switch trigger. To stop the tool from the locked position, pull the trigger fully, then release it.

For tool with lock-off button

To prevent the switch trigger from being accidentally pulled, a lock-off button is provided.

To start the tool, depress the lock-off button and pull the switch trigger. Release the switch trigger to stop.

CAUTION:

- Do not pull the switch trigger hard without pressing in the lock-off button. This can cause switch breakage.

For tool without lock button/lock-off button

To start the tool, simply pull the switch trigger. Release the switch trigger to stop.

ASSEMBLY

CAUTION:

- Always be sure that the tool is switched off and unplugged before carrying out any work on the tool.

Removing or installing diamond wheel (optional accessory)

CAUTION:

- Always be sure that the tool is switched off and unplugged before installing or removing the diamond wheel.
- Use only the Makita wrench to install or remove the diamond wheel.

To remove the diamond wheel, hold the outer flange with the wrench and loosen the hex bolt clockwise with the hex wrench. Then remove the hex bolt, outer flange and diamond wheel. (Fig. 4)

To install the diamond wheel, follow the removal procedure in reverse. Always install the diamond wheel so that the arrow on the diamond wheel points in the same direction as the arrow on the blade case. **BE SURE TO TIGHTEN THE HEX BOLT COUNTERCLOCKWISE SECURELY.** (Fig. 5)

Hex wrench storage (Fig. 6)

When not in use, store the hex wrench as shown in the figure to keep it from being lost.

Water flow (Optional accessory) (Fig. 7)

First, unplug the tool. Loosen the wing bolt on the depth guide and move the base down. Install the water pipe on the blade case and secure it by the screw.

Attach the vinyl tube onto the water pipe and attach the adapter on the vinyl tube to a faucet of water mains pressure. Adjust the amount of water flow by simply adjusting the water cock.

OPERATION

CAUTION:

- THIS TOOL SHOULD ONLY BE USED ON HORIZONTAL SURFACES.
- Be sure to move the tool forward in a straight line and gently. Forcing and exerting excessive pressure or allowing the diamond wheel to bend, pinch or twist in the cut can cause overheating of the motor and dangerous kickback of the tool.

Hold the tool firmly. Set the base plate on the workpiece to be cut without the diamond wheel making any contact.

Then turn the tool on and wait until the diamond wheel attains full speed. (Fig. 8)

Now simply move the tool forward over the workpiece surface, keeping it flat and advancing smoothly until the cutting is completed. Keep your cutting line straight and your speed of advance uniform.

MAINTENANCE

CAUTION:

- Always be sure that the tool is switched off and unplugged before attempting to perform inspection or maintenance.

- Never use gasoline, benzine, thinner, alcohol or the like. Discoloration, deformation or cracks may result.

After use

Blow away dust from the inside of the tool by running the tool at an idle for a while. Brush off accumulation of dust on the base. Accumulation of dust in the motor or on the base may cause a malfunction of the tool.

Replacing carbon brushes

Remove and check the carbon brushes regularly. Replace when they wear down to the limit mark. Keep the carbon brushes clean and free to slip in the holders. Both carbon brushes should be replaced at the same time. Use only identical carbon brushes. **(Fig. 9)**

Use a screwdriver to remove the brush holder caps. Take out the worn carbon brushes, insert the new ones and secure the brush holder caps. **(Fig. 10)**

To maintain product SAFETY and RELIABILITY, repairs, any other maintenance or adjustment should be performed by Makita Authorized Service Centers, always using Makita replacement parts.

OPTIONAL ACCESSORIES

CAUTION:

- These accessories or attachments are recommended for use with your Makita tool specified in this manual. The use of any other accessories or attachments might present a risk of injury to persons. Only use accessory or attachment for its stated purpose.

If you need any assistance for more details regarding these accessories, ask your local Makita Service Center.

- Diamond wheels (Dry type)
- Diamond wheels (Wet type)
- Wrench 22
- Hex wrench

NOTE:

- Some items in the list may be included in the tool package as standard accessories. They may differ from country to country.

BAHASA INDONESIA (Petunjuk Asli)

Penjelasan tampilan keseluruhan

- | | | |
|-----------------------------------|-----------------|-------------------------|
| 1. Baut kupu-kupu | 6. Kunci hex | 11. Keran air |
| 2. Alas | 7. Flensa luar | 12. Pipa air |
| 3. Picu sakelar | 8. Roda intan | 13. Garis batas |
| 4. Tombol kunci/Tombol kunci-mati | 9. Flensa dalam | 14. Obeng |
| 5. Kunci pas | 10. Baut hex | 15. Tutup borstel arang |

SPESIFIKASI

Model	4100NH3
Diameter roda pemotong	110 mm
Diameter lubang	20 mm
Ketebalan roda intan maks.	2,0 mm
Kemampuan pemotongan maks.	32 mm
Kecepatan nominal (n)/Kecepatan tanpa beban (n ₀)	13.000 men ⁻¹
Panjang keseluruhan	227 mm
Berat bersih	2,9 kg
Kelas keamanan	□/II

- Karena kesinambungan program penelitian dan pengembangan kami, spesifikasi yang disebutkan di sini dapat berubah tanpa pemberitahuan.
- Spesifikasi dapat berbeda dari satu negara ke negara lainnya.
- Berat menurut Prosedur EPTA 01/2003

Simbol-simbol END202-8

Berikut ini adalah simbol-simbol yang digunakan pada alat ini. Pastikan Anda mengerti makna masing-masing simbol sebelum menggunakan alat ini.



..... Baca petunjuk penggunaan.



..... ISOLASI GANDA



..... Kenakan kacamata pengaman.

Maksud penggunaan ENE203-2

Alat ini dimaksudkan untuk memotong bata, beton, dan batu.

Pasokan daya ENF002-2

Alat harus terhubung dengan pasokan daya listrik yang bertegangan sama dengan yang tertera pada pelat nama, dan hanya dapat dijalankan dengan listrik AC fase tunggal. Alat ini diisolasi ganda dan oleh sebab itu dapat dihubungkan dengan soket tanpa arde.

Peringatan Keselamatan Umum Mesin Listrik

GEA005-3

⚠ PERINGATAN Bacalah semua peringatan keselamatan dan semua petunjuk. Kelalaian mematuhi peringatan dan petunjuk dapat menyebabkan sengatan listrik, kebakaran dan/atau cedera serius.

Simpanlah semua peringatan dan petunjuk untuk acuan di masa depan.

Istilah "mesin listrik" dalam semua peringatan mengacu pada mesin listrik yang dijalankan dengan sumber listrik jala-jala (berkabel) atau baterai (tanpa kabel).

Keselamatan tempat kerja

1. **Jagalah tempat kerja selalu bersih dan berpenerangan cukup.** Tempat yang berantakan atau gelap mengundang kecelakaan.
2. **Jangan mengoperasikan mesin listrik dalam atmosfer yang mudah meledak, seperti bila ada cairan, gas, atau debu mudah menyala.** Mesin listrik menimbulkan percikan api yang dapat menyalakan debu atau uap tersebut.
3. **Jauhkan anak-anak dan orang lain saat menggunakan mesin listrik.** Bila perhatian terpecah, Anda dapat kehilangan kendali.

Keamanan kelistrikan

4. **Steker mesin listrik harus cocok dengan stopkontak. Jangan sekali-kali mengubah steker dengan cara apa pun. Jangan menggunakan steker adaptor dengan mesin listrik berarde (dibumikan).** Steker yang tidak diubah dan stopkontak yang cocok akan mengurangi risiko sengatan listrik.
5. **Hindari sentuhan tubuh dengan permukaan berarde atau yang dibumikan seperti pipa, radiator, kompor, dan kulkas.** Risiko sengatan listrik bertambah jika tubuh Anda terbumikan atau terarde.
6. **Jangan membiarkan mesin listrik kehujanan atau kebasahan.** Air yang masuk ke dalam mesin listrik akan meningkatkan risiko sengatan listrik.
7. **Jangan menyalahgunakan kabel. Jangan sekali-kali menggunakan kabel untuk membawa, menarik, atau mencabut mesin listrik dari stopkontak.** Jauhkan kabel dari panas, minyak, tepian tajam, atau bagian yang bergerak. Kabel

yang rusak atau kusut memperbesar risiko sengatan listrik.

8. **Bila menggunakan mesin listrik di luar ruangan, gunakan kabel ekstensi yang sesuai untuk penggunaan di luar ruangan.** Penggunaan kabel yang sesuai untuk penggunaan luar ruangan mengurangi risiko sengatan listrik.
9. **Jika mengoperasikan mesin listrik di lokasi lembap tidak dapat dihindari, gunakan pasokan daya yang dilindungi piranti imbasan arus (residual current device - RCD).** Penggunaan RCD mengurangi risiko sengatan listrik.
10. **Penggunaan pasokan daya melalui RCD dengan kapasitas arus sisa 30 mA atau kurang selalu dianjurkan.**

Keselamatan diri

11. **Jaga kewaspadaan, perhatikan pekerjaan Anda dan gunakan akal sehat bila menggunakan mesin listrik. Jangan menggunakan mesin listrik saat Anda lelah atau di bawah pengaruh obat bius, alkohol, atau obat.** Sekejaip saja lalai saat menggunakan mesin listrik dapat menyebabkan cedera diri yang serius.
12. **Gunakan alat pelindung diri. Selalu kenakan pelindung mata.** Peralatan pelindung seperti masker debu, sepatu pengaman anti-selip, helm pengaman, atau pelindung telinga yang digunakan untuk kondisi yang sesuai akan mengurangi risiko cedera diri.
13. **Cegah penyalan yang tidak disengaja. Pastikan bahwa sakelar berada dalam posisi mati (off) sebelum menghubungkan mesin ke sumber daya dan/atau baterai, atau mengangkat atau membawanya.** Membawa mesin listrik dengan jari Anda pada sakelarnya atau mengalirkan listrik pada mesin listrik yang sakelarnya hidup (on) akan mengundang kecelakaan.
14. **Lepaskan kunci-kunci penyetel sebelum menghidupkan mesin listrik.** Kunci-kunci yang masih terpasang pada bagian mesin listrik yang berputar dapat menyebabkan cedera.
15. **Jangan meraih terlalu jauh. Jagalah pijakan dan keseimbangan sepanjang waktu.** Hal ini memungkinkan kendali yang lebih baik atas mesin listrik dalam situasi yang tidak diharapkan.
16. **Kenakan pakaian yang sesuai. Jangan memakai pakaian yang kedodoran atau perhiasan. Jaga jarak antara rambut, pakaian, dan sarung tangan Anda dengan bagian mesin yang bergerak.** Pakaian kedodoran, perhiasan, atau rambut panjang dapat tersangkut pada bagian yang bergerak.
17. **Jika tersedia fasilitas untuk menghisap dan mengumpulkan debu, pastikan fasilitas tersebut terhubung listrik dan digunakan dengan baik.** Penggunaan pembersih debu dapat mengurangi bahaya yang terkait dengan debu.

Penggunaan dan pemeliharaan mesin listrik

18. **Jangan memaksa mesin listrik. Gunakan mesin listrik yang tepat untuk keperluan Anda.** Mesin listrik yang tepat akan menuntaskan pekerjaan dengan lebih baik dan aman pada kecepatan sesuai rancangannya.
19. **Jangan gunakan mesin jika saklar tidak bisa menghidupkan atau mematikannya.** Mesin listrik

yang tidak dapat dikendalikan dengan sakelarnya adalah berbahaya dan harus diperbaiki.

20. **Cabut steker dari sumber listrik dan/atau baterai dari mesin listrik sebelum melakukan penyetelan, penggantian aksesoris, atau menyimpang mesin listrik.** Langkah keselamatan preventif tersebut mengurangi risiko hidupnya mesin secara tak sengaja.
21. **Simpan mesin listrik jauh dari jangkauan anak-anak dan jangan biarkan orang yang tidak paham mengenai mesin listrik tersebut atau petunjuk ini menggunakan mesin listrik.** Mesin listrik sangat berbahaya di tangan pengguna yang tak terlatih.
22. **Rawatlah mesin listrik. Periksa apakah ada bagian bergerak yang tidak lurus atau macet, bagian yang pecah dan kondisi lain yang dapat mempengaruhi penggunaan mesin listrik. Jika rusak, perbaiki dahulu mesin listrik sebelum digunakan.** Banyak kecelakaan disebabkan oleh kurangnya pemeliharaan mesin listrik.
23. **Jaga agar mesin pemotong tetap tajam dan bersih.** Mesin pemotong yang terawat baik dengan mata pemotong yang tajam tidak mudah macet dan lebih mudah dikendalikan.
24. **Gunakan mesin listrik, aksesoris, dan mata mesin, dll. sesuai dengan petunjuk ini, dengan memperhitungkan kondisi kerja dan jenis pekerjaan yang dilakukan.** Penggunaan mesin listrik untuk penggunaan yang lain dari peruntukan dapat menimbulkan situasi berbahaya.

Servis

25. **Berikan mesin listrik untuk diperbaiki hanya kepada teknisi yang berkualifikasi dengan menggunakan hanya suku cadang pengganti yang serupa.** Hal ini akan menjamin terjaganya keamanan mesin listrik.
26. **Patuhi petunjuk pelumasan dan penggantian aksesoris.**
27. **Jagalah agar gagang kering, bersih, dan bebas dari minyak dan gemuk.**

PERINGATAN KESELAMATAN ALAT PEMOTONG

GEB025-6

1. **Pelindung yang disertakan bersama mesin harus dipasang kuat pada mesin listrik ini dan diposisikan untuk keamanan maksimum, sehingga bagian roda yang berhadapan dengan pengguna menjadi sesedikit mungkin. Jauhkan diri Anda dan orang lain dari bidang perputaran roda yang berputar.** Pelindung membantu melindungi pengguna dari kepingan roda yang pecah dan sentuhan tak disengaja dengan roda.
2. **Gunakan hanya roda pemotong intan untuk mesin listrik Anda.** Hanya karena aksesoris bisa dipasang pada mesin listrik Anda, tidak berarti bahwa penggunaannya pasti aman.
3. **Kecepatan nominal aksesoris setidaknya harus sama dengan kecepatan maksimum yang tertera pada mesin listrik.** Aksesoris yang berputar lebih cepat daripada kecepatan nominalnya dapat pecah dan beterbangan ke mana-mana.
4. **Roda hanya boleh digunakan untuk penggunaan yang dianjurkan. Misalnya: jangan menggerinda**

- dengan bagian sisi roda pemotong. Roda gerinda pemotong dimaksudkan untuk pengerindaan pada tepi luarnya; gaya samping yang diberikan pada roda dapat memecahkannya.
5. **Selalu gunakan flensa roda yang utuh dengan diameter yang tepat untuk roda yang Anda pilih.** Flensa roda yang tepat akan mendukung roda dan oleh sebab itu mengurangi kemungkinan pecahnya roda.
 6. **Diameter luar dan ketebalan aksesoris Anda harus berada dalam kapasitas nominal mesin listrik Anda.** Aksesoris yang berukuran salah tidak akan bisa terlindungi atau dikendalikan dengan baik.
 7. **Ukuran lubang arbor (paksi) roda dan flensa harus benar-benar pas dengan spindle mesin listrik.** Roda dan flensa dengan lubang arbor (paksi) yang tidak cocok dengan perangkat keras pemasangan pada mesin listrik akan menjadi tidak seimbang, bergetar keras, dan dapat menyebabkan hilangnya kendali.
 8. **Jangan gunakan roda yang rusak. Setiap kali akan digunakan, periksa roda dari adanya pecahan dan retakan. Jika mesin listrik atau roda terjatuh, periksa apakah ada kerusakan atau pasanglah roda yang tidak rusak. Setelah memeriksa dan memasang roda, jauhkan diri Anda dan orang lain dari bidang perputaran roda dan jalankan mesin listrik pada kecepatan tanpa beban maksimum selama satu menit.** Roda yang rusak biasanya akan hancur selama pengujian ini.
 9. **Kenakan alat pelindung diri. Tergantung pemakaian, gunakanlah pelindung wajah danacamata pengaman. Jika perlu, pakailah masker debu, pelindung pendengaran, sarung tangan, dan apron bengkel yang mampu menahan kepingan kecil gerinda atau benda kerja.** Pelindung mata harus mampu menghentikan serpihan beterbangan yang dihasilkan oleh berbagai macam pekerjaan. Masker debu atau respirator harus mampu menyaring partikel yang dihasilkan dalam pekerjaan Anda. Kebisingan berintensitas tinggi yang lama dapat merusak pendengaran.
 10. **Jaga agar orang lain berada pada jarak yang aman dari area kerja. Setiap orang yang masuk ke area kerja harus memakai alat pelindung diri.** Serpihan benda kerja atau roda yang pecah dapat terlontar dan melukai orang di luar area kerja.
 11. **Pegang mesin listrik hanya pada permukaan genggam yang terisolasi bila dalam melakukan pekerjaan, aksesoris pemotong dapat menyentuh kawat tersembunyi atau kabelnya sendiri.** Aksesoris pemotong yang menyentuh kawat "hidup" (teraliri arus listrik) dapat menyebabkan bagian logam yang terbuka pada mesin ikut "hidup" dan menyengat pengguna.
 12. **Posisikan kabel agar jauh dari aksesoris yang berputar.** Jika Anda kehilangan kendali atas mesin, kabel dapat terputus atau tersangkut dan tangan atau lengan Anda dapat tertarik ke arah roda yang berputar.
 13. **Jangan sekali-kali meletakkan mesin listrik sebelum aksesoris berhenti sepenuhnya.** Roda yang masih berputar dapat tersangkut pada

permukaan dan menarik mesin listrik lepas dari kendali Anda.

14. **Jangan menyalakan mesin listrik saat membawanya di sisi tubuh Anda.** Kontak tak disengaja dengan aksesoris yang berputar dapat menggulung pakaian Anda dan menarik aksesoris ke tubuh Anda.
15. **Bersihkanlah lubang udara mesin listrik ini secara teratur.** Kipas motor mesin ini akan menyedot masuk debu ke bagian dalamnya dan akumulasi serbuk logam yang berlebihan dapat menimbulkan bahaya kelistrikan.
16. **Jangan menggunakan mesin listrik di dekat bahan yang mudah menyala.** Bunga api dapat menyalakan bahan tersebut.

Tendang-balik dan peringatan terkait

Tendang-balik adalah reaksi tiba-tiba terhadap terjepit atau tersangkutnya roda yang sedang berputar. Kondisi terjepit atau tersangkut ini menyebabkan roda yang sedang berputar terhenti secara tiba-tiba, yang kemudian menyebabkan mesin listrik yang tidak terkendali ini terdorong ke arah yang berlawanan dengan arah perputaran roda di titik kemacetan itu.

Misalnya, jika roda gerinda tersangkut atau terjepit oleh benda kerja, tepian roda yang masuk ke dalam titik jepit dapat "menggali" masuk ke dalam permukaan bahan tersebut sehingga menyebabkan roda memanjat keluar atau menendang balik. Roda dapat melompat mendekati atau menjauhi operator, tergantung arah gerak roda di titik jepit tersebut. Roda gerinda juga dapat pecah dalam kondisi seperti ini.

Tendang-balik merupakan akibat dari penyalahgunaan mesin listrik dan/atau prosedur atau kondisi penggunaan yang tidak tepat dan dapat dihindari dengan mengambil langkah pengamanan berikut ini.

- a) **Genggamlah mesin listrik dengan kuat setiap saat dan posisikan tubuh dan tangan Anda untuk menahan gaya tendang-balik. Gunakan selalu gagang tambahan, jika tersedia, untuk mengendalikan sepenuhnya tendang-balik atau reaksi torsi saat mesin dihidupkan.** Reaksi torsi dan gaya tendang-balik dapat dikendalikan oleh pengguna, jika langkah pengamanan yang sesuai diambil.
- b) **Jangan pernah menempatkan tangan Anda di dekat aksesoris yang berputar.** Aksesoris dapat menendang-balik ke tangan Anda.
- c) **Jangan posisikan tubuh Anda segaris dengan roda yang berputar.** Tendang-balik akan mendorong mesin ke arah yang berlawanan dengan arah gerak roda di titik sangkutan.
- d) **Lebih berhati-hatilah saat Anda mengerjakan sudut, pinggiran tajam, dll. Hindari membuat aksesoris terpantul atau tersangkut.** Sudut, pinggiran tajam, atau pantulan cenderung menyebabkan aksesoris yang berputar tersangkut dan mengakibatkan hilangnya kendali atau tendang-balik.
- e) **Jangan memasangi rantai gergaji, pisau ukir kayu, roda intan bersementasi dengan kerenggangan tepi lebih dari 10 mm atau roda gergaji bergigi.** Mata pisau/gergaji semacam itu sering menimbulkan tendang-balik dan hilangnya kendali.

f) **Jangan “memacetkan” roda atau memberikan tekanan berlebih. Jangan mencoba membuat irisan yang terlalu dalam.** Memberikan tekanan terlalu besar pada roda akan meningkatkan beban dan kemungkinan roda terpuntir atau macet di dalam irisan dan kemungkinan terjadinya tendang-balik atau pecahnya roda.

g) **Jika roda macet atau jika menghentikan pekerjaan pemotongan karena sebab apa pun, matikan mesin listrik dan terus pegang mesin dengan tak bergerak sampai roda berhenti sepenuhnya. Jangan sekali-kali mencoba mengeluarkan roda dari benda kerja saat roda masih berputar atau tendang-balik akan terjadi.** Selidiki dan ambil tindakan perbaikan untuk mengatasi penyebab macetnya roda.

h) **Jangan memulai lagi pemotongan di dalam benda kerja. Biarkan roda mencapai kecepatan penuh dan dengan hati-hati masukkan lagi ke dalam irisan pemotongan.** Roda dapat macet, berjalan naik, atau menendang-balik jika mesin listrik dinyalakan di dalam benda kerja.

i) **Sangga panel atau benda kerja yang berukuran besar untuk meminimalkan risiko roda pemotong terjepit dan menendang-balik.** Benda kerja besar cenderung tertekuk karena beratnya sendiri. Penyangga harus diletakkan di bawah benda kerja di dekat garis potong dan di dekat tepi benda kerja pada kedua sisi roda.

j) **Ekstra hati-hatilah saat membuat “irisan kantung” pada dinding yang sudah berdiri atau tempat lain yang tak terlihat bagian belakangnya.** Roda yang menjorok keluar dapat mengiris pipa gas atau air, jaringan kawat listrik, atau benda-benda yang dapat menyebabkan tendang-balik.

17. **Sebelum menggunakan roda intan bersegmentasi, pastikan bahwa roda intan memiliki celah tepi antar-segmen sebesar 10 mm atau kurang, hanya dengan sudut rake negatif.**

Peringatan Keselamatan Tambahan:

18. **Jangan sekali-kali mencoba memotong dengan mesin yang ditahan terbalik pada ragum (catok). Ini dapat menyebabkan kecelakaan serius karena tindakan ini sangat berbahaya.**
19. **Bahan tertentu mengandung zat kimia yang mungkin beracun. Hindari menghirup debu dan persentuhan dengan kulit. Patuhi data keselamatan bahan dari pemasok.**
20. **Simpan roda pengiris sesuai dengan rekomendasi pabrik pembuatnya. Penyimpanan yang tidak benar dapat merusak roda.**

SIMPAN PETUNJUK INI.

⚠ PERINGATAN:
JANGAN biarkan kenyamanan atau terbiasanya Anda dengan produk (karena penggunaan berulang) menggantikan kepatuhan yang ketat terhadap aturan keselamatan untuk produk yang terkait. **PENYALAHGUNAAN** atau kelalaian mematuhi kaidah keselamatan yang tertera dalam petunjuk penggunaan ini dapat menyebabkan cedera badan serius.

DESKRIPSI FUNGSI

⚠ PERHATIAN:

- Selalu pastikan alat sudah dimatikan dan stekernya dicabut sebelum menyetel atau memeriksa fungsi alat.

Menyetel kedalaman pemotongan (Gb. 1)

Kendurkan baut kupu-kupu pada pemandu kedalaman dan gerakkan alas naik atau turun. Pada kedalaman pemotongan yang diinginkan, kencangkan alas dengan mengencangkan baut kupu-kupu.

⚠ PERHATIAN:

- Setelah menyetel kedalaman pemotongan, selalu kencangkan baut kupu-kupu dengan kuat.

Pelurusan (pembidikan) garis pemotongan (Gb. 2)

Sejajarkan tepi depan alas dengan garis pemotongan pada benda kerja.

Gerakan sakelar (Gb. 3)

⚠ PERHATIAN:

- Sebelum menancapkan steker alat, selalu pastikan bahwa picu sakelar bekerja dengan baik dan kembali ke posisi “OFF” (MATI) saat dilepaskan.

Untuk alat dengan tombol kunci

Untuk menyalakan alat, cukup tarik picu sakelarnya. Lepaskan picu sakelar untuk menghentikannya. Untuk pengoperasian terus-menerus, tarik picu sakelar, tekan masuk tombol kunci, lalu lepaskan picu sakelar. Untuk menghentikan alat dari posisi terkunci, tarik picu sepenuhnya, kemudian lepaskan.

Untuk alat dengan tombol kunci-mati

Untuk mencegah picu sakelar tertarik secara tidak disengaja, telah disediakan tombol kunci-mati. Untuk menjalankan alat, tekan tombol kunci-mati, lalu tarik picu sakelar. Lepaskan picu sakelar untuk menghentikannya.

⚠ PERHATIAN:

- Jangan menarik picu sakelar dengan kuat tanpa menekan tombol kunci-mati. Ini dapat menyebabkan sakelar rusak.

Untuk alat tanpa tombol kunci/tombol kunci-mati

Untuk menyalakan alat, cukup tarik picu sakelarnya. Lepaskan picu sakelar untuk menghentikannya.

PERAKITAN

⚠ PERHATIAN:

- Selalu pastikan alat sudah dimatikan dan stekernya dicabut sebelum melakukan pekerjaan apa pun pada alat.

Melepas atau memasang roda intan (aksesori tambahan)

⚠ PERHATIAN:

- Selalu pastikan alat sudah dimatikan dan stekernya dicabut sebelum memasang atau melepaskan roda intan.

- Gunakan hanya kunci pas Makita untuk memasang atau melepas roda intan.

Untuk melepas roda intan, tahan flensa luar dengan kunci pas dan kendurkan baut hex searah jarum jam dengan kunci hex. Kemudian lepaskan baut hex, flensa luar, dan roda intan. **(Gb. 4)**

Untuk memasang roda intan, ikuti prosedur pelepasan secara terbalik. Selalu pasang roda intan dengan menempatkan tanda panah pada roda intan agar menunjuk ke arah yang sama dengan tanda panah pada penutup roda. **PASTIKAN UNTUK MENGENCANGKAN BAIT HEX BERLAWANAN ARAH JARUM JAM DENGAN KUAT. (Gb. 5)**

Penyimpanan kunci hex (Gb. 6)

Bila tidak sedang digunakan, simpanlah kunci hex seperti terlihat dalam gambar agar tidak hilang.

Aliran air (aksesori tambahan) (Gb. 7)

Pertama, cabut steker alat dari stopkontak. Kendurkan baut kupu-kupu pada pemandu kedalaman dan gerakkan alas turun. Pasang pipa air pada penutup roda dan kencangkan menggunakan sekrupnya.

Pasang tuba vinil pada pipa air dan pasang adapter tuba vinil ke keran air bertekanan. Atur besar aliran air cukup dengan mengatur tuas keran air.

PENGOPERASIAN

⚠ PERHATIAN:

- ALAT INI HENDAKNYA HANYA DIGUNAKAN PADA PERMUKAAN HORIZONTAL.
- Pastikan Anda menggerakkan alat lurus ke depan dan dengan perlahan. Memaksakan dan memberi tekanan berlebihan atau membiarkan roda intan tertekuk, terjepit atau terputir dapat menyebabkan motor panas berlebihan dan alat dapat menendang-balik yang berbahaya.

Pegang alat dengan kuat. Letakkan pelat alas pada benda kerja yang akan dipotong tanpa membuat roda intan menyentuh benda kerja. Lalu nyalakan alat dan tunggu hingga roda intan mencapai kecepatan penuh.

(Gb. 8)

Kini cukup gerakkan alat ke depan di atas permukaan benda kerja, dengan menjaga alas alat tetap mendarat dan maju dengan lancar hingga pemotongan selesai. Jaga agar garis pemotongan tetap lurus dan kecepatan potong seragam.

PERAWATAN

⚠ PERHATIAN:

- Selalu pastikan alat sudah dimatikan dan stekernya dicabut sebelum melakukan pemeriksaan atau perawatan.
- Jangan sekali-kali menggunakan bensin, tiner, alkohol, atau bahan sejenisnya. Penggunaan bahan demikian dapat menyebabkan perubahan warna dan bentuk serta timbulnya retakan.

Setelah menggunakan

Hembuskan debu keluar dari bagian dalam alat dengan menjalankan alat tanpa beban selama beberapa saat. Sikat bersih akumulasi debu pada alas. Akumulasi debu

dalam motor atau pada alas dapat menyebabkan malfungsi alat.

Mengganti borstel arang

Lepaskan dan periksa borstel arang secara teratur. Ganti bila borstel arang sudah aus mencapai garis batas. Jaga agar borstel arang tetap bersih dan masuk lancar ke tempatnya. Kedua borstel arang harus diganti secara bersamaan. Gunakan hanya borstel arang yang identik.

(Gb. 9)

Gunakan obeng untuk melepas tutup borstel arang. Lepaskan borstel arang yang sudah aus, masukkan borstel arang baru, dan kencangkan tutup borstel arang.

(Gb. 10)

Untuk menjaga KEAMANAN dan KEHANDALAN, perbaikan, perawatan atau penyetulan lain harus dilakukan oleh Pusat Servis Resmi Makita dan gunakan selalu suku cadang Makita.

AKSESORI TAMBAHAN

⚠ PERHATIAN:

- Aksesori atau alat tambahan ini dianjurkan untuk digunakan dengan alat Makita milik Anda yang disebutkan dalam buku petunjuk ini. Penggunaan aksesori atau alat tambahan lain dapat menimbulkan risiko cedera pada orang. Gunakan aksesori atau alat tambahan sesuai kegunaannya.

Jika Anda membutuhkan bantuan perihal informasi lebih terperinci mengenai aksesori-aksesori ini, tanyakan kepada Pusat Servis Makita setempat.

- Roda intan (tipe Kering)
- Roda intan (tipe Basah)
- Kunci pas 22
- Kunci hex

CATATAN:

- Beberapa artikel dalam daftar dapat disertakan dalam kemasan mesin sebagai aksesori standar. Kelengkapan ini dapat berbeda dari satu negara ke negara lainnya.

TIẾNG VIỆT (Hướng dẫn Gốc)

Giải thích về hình vẽ tổng thể

- | | | |
|--------------------------|----------------------|--------------------------|
| 1. Bu-lông có tai | 6. Cờ lê sáu cạnh | 11. Vòi nước |
| 2. Đế | 7. Vành ngoài | 12. Ống nước |
| 3. Bộ khởi động công tắc | 8. Đĩa kim cương | 13. Vạch giới hạn |
| 4. Nút khoá/Nút mở khoá | 9. Vành trong | 14. Tua vít |
| 5. Cờ lê | 10. Bu-lông lục giác | 15. Nắp giá đỡ chổi than |

THÔNG SỐ KỸ THUẬT

Kiểu máy	4100NH3
Đường kính lưỡi cắt	110 mm
Đường kính lỗ	20 mm
Độ dày đĩa kim cương tối đa	2,0 mm
Công suất cắt tối đa	32 mm
Tốc độ định mức (n)/Tốc độ không tải (n ₀)	13.000 min ⁻¹
Tổng chiều dài	227 mm
Trọng lượng tịnh	2,9 kg
Cấp an toàn	□/II

- Do chương trình nghiên cứu và phát triển liên tục của chúng tôi nên các thông số kỹ thuật dưới đây có thể thay đổi mà không cần thông báo.
- Các thông số kỹ thuật ở mỗi quốc gia có thể khác nhau.
- Trọng lượng theo quy định EPTA-Procedure 01/2003

Ký hiệu ENE202-8

Phần dưới đây cho biết các ký hiệu được dùng cho thiết bị. Đảm bảo rằng bạn hiểu ý nghĩa của các ký hiệu này trước khi sử dụng.



..... Đọc tài liệu hướng dẫn.



..... CÁCH ĐIỆN KÉP



..... Đeo kính an toàn.

Mục đích sử dụng ENE023-2

Dụng cụ dùng để cắt gạch, bê tông và đá.

Nguồn cấp điện ENE002-2

Dụng cụ này chỉ được nối với nguồn cấp điện có điện áp giống như đã chỉ ra trên biển tên và chỉ có thể được vận hành trên nguồn cung cấp AC một pha. Thiết bị được cách điện kép và do đó cũng có thể được sử dụng từ các ổ cắm mà không cần dây tiếp đất.

Cảnh báo An toàn Chung dành cho Dụng cụ Máy

GEA005-3

⚠ CẢNH BÁO Đọc tất cả cảnh báo an toàn và hướng dẫn. Việc không tuân theo các cảnh báo và hướng dẫn có thể dẫn đến điện giật, hoả hoạn và/hoặc thương tích nghiêm trọng.

Lưu giữ tất cả cảnh báo và hướng dẫn để tham khảo sau này.

Thuật ngữ “dụng cụ máy” trong các cảnh báo đề cập đến dụng cụ máy (có dây) được vận hành bằng điện hoặc dụng cụ máy (không dây) được vận hành bằng pin.

An toàn tại nơi làm việc

- Giữ nơi làm việc sạch sẽ và có đủ ánh sáng.** Nơi làm việc bừa bộn hoặc tối có thể dẫn đến tai nạn.
- Không vận hành dụng cụ máy trong môi trường cháy nổ, ví dụ như môi trường có sự hiện diện của các chất lỏng, khí hoặc bụi dễ cháy.** Các dụng cụ máy tạo ra tia lửa điện có thể làm bụi hoặc khí bốc cháy.
- Giữ trẻ em và người ngoài tránh xa nơi làm việc khi đang vận hành dụng cụ máy.** Sự sao lãng có thể khiến bạn mất khả năng kiểm soát.

An toàn về điện

- Phích cắm của dụng cụ máy phải khớp với ổ cắm. Không bao giờ được sửa đổi phích cắm theo bất kỳ cách nào. Không sử dụng bất kỳ phích điều hợp nào với các dụng cụ máy được nối đất (tiếp đất).** Các phích cắm còn nguyên vẹn và ổ cắm phù hợp sẽ giảm nguy cơ điện giật.
- Tránh để cơ thể tiếp xúc với các bề mặt nối đất hoặc tiếp đất như đường ống, bộ tản nhiệt, bếp và tủ lạnh.** Nguy cơ bị điện giật sẽ tăng lên nếu cơ thể bạn được nối đất hoặc tiếp đất.
- Không để dụng cụ máy tiếp xúc với nước mưa hoặc trong điều kiện ẩm ướt.** Nước chảy vào dụng cụ máy sẽ làm tăng nguy cơ điện giật.
- Không sử dụng dây sai cách. Không bao giờ sử dụng dây để mang, kéo hoặc tháo phích cắm dụng cụ máy.** Giữ dây tránh xa nguồn nhiệt, dầu, các mép sắc hoặc các bộ phận chuyển

- động.** Dây bị hỏng hoặc bị rối sẽ làm tăng nguy cơ điện giật.
8. **Khi vận hành dụng cụ máy ngoài trời, hãy sử dụng dây kéo dài phù hợp cho việc sử dụng ngoài trời.** Việc dùng dây phù hợp cho việc sử dụng ngoài trời sẽ giảm nguy cơ điện giật.
 9. **Nếu bắt buộc phải vận hành dụng cụ máy ở nơi ẩm ướt, hãy sử dụng nguồn cấp điện được bảo vệ bằng thiết bị dòng điện dư (RCD).** Sử dụng RCD sẽ giảm nguy cơ điện giật.
 10. **Chúng tôi luôn khuyến bạn sử dụng nguồn cấp điện qua RCD có dòng điện dư định mức 30 mA hoặc thấp hơn.**

An toàn cá nhân

11. **Luôn tỉnh táo, quan sát những việc bạn đang làm và sử dụng những phán đoán theo kinh nghiệm khi vận hành dụng cụ máy.** Không sử dụng dụng cụ máy khi bạn đang mệt mỏi hoặc chịu ảnh hưởng của ma túy, chất cồn hay thuốc. Chỉ một khoảnh khắc không tập trung khi đang vận hành dụng cụ máy cũng có thể dẫn đến thương tích cá nhân nghiêm trọng.
12. **Sử dụng thiết bị bảo hộ cá nhân.** Luôn đeo thiết bị bảo vệ mắt. Các thiết bị bảo hộ như mũ bảo hộ chống bụi, giày an toàn không trượt, mũ bảo hộ hay thiết bị bảo vệ thính giác được sử dụng trong các điều kiện thích hợp sẽ giúp giảm thương tích cá nhân.
13. **Tránh khởi động vô tình dụng cụ máy.** Đảm bảo công tắc ở vị trí off (tắt) trước khi nối nguồn điện và/hoặc bộ pin, cắm hoặc mang dụng cụ máy. Việc mang dụng cụ máy khi đang đặt ngón tay ở vị trí công tắc hoặc cấp điện cho dụng cụ máy khi công tắc đang ở vị trí bật có thể dẫn đến tai nạn.
14. **Tháo mọi khoá hoặc chia vận điều chỉnh trước khi bật dụng cụ máy.** Việc chia vận hoặc khoá vẫn còn gắn vào bộ phận quay của dụng cụ máy có thể dẫn đến thương tích cá nhân.
15. **Không với quá cao.** Luôn giữ thẳng bằng tốt và có chỗ để chân phù hợp. Điều này cho phép kiểm soát dụng cụ máy tốt hơn trong những tình huống bất ngờ.
16. **Ăn mặc phù hợp.** Không mặc quần áo rộng hay đeo đồ trang sức. Giữ tóc, quần áo và găng tay tránh xa các bộ phận chuyển động. Quần áo rộng, đồ trang sức hay tóc dài có thể mắc vào các bộ phận chuyển động.
17. **Nếu thiết bị này được cung cấp kèm theo các bộ phận để nối thiết bị hút và gom bụi, hãy đảm bảo chúng được kết nối và sử dụng hợp lý.** Sử dụng thiết bị gom bụi có thể làm giảm những mối nguy hiểm liên quan đến bụi.

Sử dụng và bảo quản dụng cụ máy

18. **Không ép buộc dụng cụ máy.** Sử dụng đúng dụng cụ máy cho công việc của bạn. Sử dụng đúng dụng cụ máy sẽ giúp thực hiện công việc tốt hơn và an toàn hơn theo giá trị định mức được thiết kế của dụng cụ máy đó.
19. **Không sử dụng dụng cụ máy nếu công tắc không bật và tắt được dụng cụ máy đó.** Mọi dụng cụ máy không thể điều khiển được bằng công tắc đều rất nguy hiểm và cần được sửa chữa.

20. **Rút phích cắm ra khỏi nguồn điện và/hoặc tháo bộ pin khỏi dụng cụ máy trước khi thực hiện bất kỳ công việc điều chỉnh, thay đổi phụ tùng hay cất giữ dụng cụ máy nào.** Những biện pháp an toàn phòng ngừa này sẽ giảm nguy cơ khởi động vô tình dụng cụ máy.
21. **Cất giữ các dụng cụ máy không sử dụng ngoài tầm với của trẻ em và không cho bất kỳ người nào không có hiểu biết về dụng cụ máy hoặc các hướng dẫn này vận hành dụng cụ máy.** Dụng cụ máy sẽ rất nguy hiểm nếu được sử dụng bởi những người dùng chưa qua đào tạo.
22. **Bảo dưỡng dụng cụ máy.** Kiểm tra tình trạng lệch trục hoặc bó kẹt của các bộ phận chuyển động, hiện tượng nứt vỡ của các bộ phận và mọi tình trạng khác mà có thể ảnh hưởng đến hoạt động của dụng cụ máy. Nếu có hỏng hóc, hãy sửa chữa chữa dụng cụ máy trước khi sử dụng. Nhiều tai nạn xảy ra là do không bảo dưỡng tốt dụng cụ máy.
23. **Luôn giữ cho dụng cụ cất được sắc và sạch.** Những dụng cụ cất được bảo dưỡng đúng cách có mép cắt sắc sẽ ít bị kẹt hơn và dễ điều khiển hơn.
24. **Sử dụng dụng cụ máy, phụ tùng và đầu dụng cụ cất, v.v... theo các hướng dẫn này, có tính đến điều kiện làm việc và công việc được thực hiện.** Việc sử dụng dụng cụ máy cho các công việc khác với công việc dự định có thể gây nguy hiểm.

Bảo dưỡng

25. **Để nhân viên sửa chữa đủ trình độ bảo dưỡng dụng cụ máy của bạn và chỉ sử dụng các bộ phận thay thế đồng nhất.** Việc này sẽ đảm bảo duy trì được độ an toàn của dụng cụ máy.
26. **Tuân theo hướng dẫn dành cho việc bôi trơn và thay phụ tùng.**
27. **Giữ tay cầm khô, sạch, không dính dầu và mỡ.**

CẢNH BÁO AN TOÀN MÁY CẮT ĐÁ

GEB025-6

1. **Thiết bị bảo vệ đi kèm dụng cụ phải được gắn chắc chắn với dụng cụ máy và phải được đặt vào vị trí đạt được độ an toàn tối đa để người vận hành ít phải tiếp xúc với đĩa nhất.** Bạn và người đứng ngoài phải đứng cách xa bộ phận bảo của đĩa đang chuyển động. Thiết bị bảo vệ giúp bảo vệ người vận hành khỏi những mảnh vụn đĩa bị vỡ và tránh tiếp xúc bất ngờ với đĩa.
2. **Chỉ sử dụng đĩa cắt kim cương dành cho dụng cụ máy của bạn.** Phụ tùng có thể được lắp vào dụng cụ máy của bạn nhưng lại không đảm bảo vận hành an toàn.
3. **Tốc độ định mức của phụ tùng phải bằng hoặc lớn hơn tốc độ tối đa được ghi trên dụng cụ máy.** Phụ tùng hoạt động nhanh hơn tốc độ định mức có thể bị vỡ và văng ra.
4. **Chỉ sử dụng đĩa cho các công việc được khuyến nghị.** Ví dụ: không mài bằng cạnh của đĩa cắt. Đĩa cắt được sử dụng cho mục đích mài ở ngoài cùng, các lực bên cạnh tác dụng vào những đĩa này có thể làm cho đĩa bị vỡ.
5. **Luôn sử dụng bích bắt đá mài không bị hỏng có đường kính chính xác cho đá mài bạn đã chọn.**

Vành đĩa phù hợp sẽ hỗ trợ cho đĩa cắt, do đó giúp giảm nguy cơ vỡ đĩa cắt.

6. **Đường kính ngoài và độ dày của phụ tùng phải nằm trong định mức công suất của dụng cụ máy.** Phụ tùng có kích thước không đúng có thể không được bảo vệ kích thước khiến phù hợp.
7. **Kích cỡ tâm của đá mài và bích bắt đá mài phải hoàn toàn khít với trục của dụng cụ máy.** Đá mài và bích bắt đá mài có các lỗ tâm không khớp với phụ tùng lắp ghép của dụng cụ máy sẽ chạy mất thăng bằng, rung quá mức và có thể dẫn đến mất kiểm soát.
8. **Không sử dụng đá mài hỏng.** Trước mỗi lần sử dụng, hãy kiểm tra đá mài có bị vỡ và nứt không. Nếu dụng cụ máy hoặc đá mài bị rơi, hãy kiểm tra xem có hỏng hoặc lắp đá mài không bị hỏng. Sau khi kiểm tra và lắp đá mài, bạn và người đứng ngoài phải đứng cách xa bộ phận bảo của đá mài đang chuyển động và vận hành dụng cụ máy ở tốc độ không tải tối đa trong một phút. Đá mài bị hỏng thường sẽ bị vỡ ra trong quá trình kiểm tra này.
9. **Đeo thiết bị bảo hộ cá nhân.** Tuỳ vào công việc, hãy sử dụng mặt nạ, kính bảo hộ hoặc kính an toàn. Nếu thích hợp, hãy đeo mặt nạ chống bụi, thiết bị bảo vệ thính giác, găng tay và tạp dề có khả năng tránh được mảnh mài hoặc những mảnh phôi nhỏ. Thiết bị bảo vệ mắt phải có khả năng ngăn mảnh vụn bay do các hoạt động khác nhau tạo ra. Mặt nạ chống bụi hoặc mặt nạ phòng độc phải có khả năng lọc các hạt do hoạt động tạo ra. Tiếp xúc lâu với tiếng ồn cường độ cao có thể gây ra mất khả năng nghe.
10. **Giữ những người ngoài tránh xa khu vực làm việc ở khoảng an toàn.** Bất kỳ ai vào khu vực làm việc đều phải đeo thiết bị bảo vệ cá nhân. Những mảnh phôi hoặc những mảnh đá mài bị vỡ có thể văng ra và gây thương tích bên ngoài khu vực vận hành gần kề.
11. **Chỉ cầm dụng cụ máy ở phần tay nắm được cách định khi thực hiện công việc mà phụ tùng cắt có thể tiếp xúc với dây điện ngầm hoặc dây của chính dụng cụ.** Phụ tùng cắt tiếp xúc với dây dẫn "có điện" có thể làm các bộ phận kim loại trần của dụng cụ điện "tiếp điện" và có thể làm người vận hành bị điện giật.
12. **Đặt đúng cách xa phụ tùng đang quay.** Nếu bạn mất kiểm soát, dây có thể bị cắt hoặc bị rách và tay hoặc cánh tay của bạn có thể bị kéo vào đá mài đang quay.
13. **Không đặt dụng cụ máy xuống đến khi phụ tùng đã dừng hoàn toàn.** Đá mài đang quay có thể nghiêng vào bề mặt và kéo dụng cụ máy ra khỏi tầm kiểm soát của bạn.
14. **Không chạy dụng cụ máy khi bạn đang cầm ở một phía.** Tiếp xúc bất ngờ với phụ tùng đang quay có thể vướng vào quần áo, làm phụ tùng va vào người bạn.
15. **Thường xuyên làm sạch lỗ thông gió của dụng cụ máy.** Quạt của mô tơ sẽ hút bụi vào bên trong vỏ máy và việc tích tụ quá nhiều kim loại dạng bột có thể gây ra các nguy cơ về điện.

16. **Không vận hành dụng cụ máy gần các vật liệu dễ cháy.** Tia lửa điện có thể làm cháy những vật liệu này.

Hiện tượng đẩy ngược và các cảnh báo liên quan
Đẩy ngược là hiện tượng phản ứng lại đột ngột với đá mài đang quay bị bó chặt hoặc bị vỡ. Hiện tượng bó chặt hoặc vỡ có thể khiến đá mài đang quay dừng lại và sẽ khiến dụng cụ máy không được kiểm soát buộc phải vận hành ngược chiều với chiều quay của đá mài tại thời điểm bị bó.

Ví dụ: nếu đĩa mài bị vướng hoặc kẹt vào phôi, cạnh của đĩa mài đang ở chỗ kẹt có thể cắm vào bề mặt vật liệu làm cho đĩa mài nảy ra hoặc văng ra. Đĩa mài có thể nảy ra xa hoặc về phía người vận hành, tùy vào hướng chuyển động của đĩa mài tại điểm bị kẹt. Đĩa mài cũng có thể bị vỡ trong những điều kiện này. Lực đẩy ngược là do sử dụng sai dụng cụ máy và/hoặc quy trình hoặc điều kiện vận hành không chính xác và có thể tránh được bằng cách thực hiện các biện pháp phòng ngừa thích hợp như dưới đây.

- a) **Cầm chắc dụng cụ máy và định vị cơ thể và cánh tay để cản lại lực đẩy ngược.** Luôn sử dụng tay cầm phụ, nếu có, để kiểm soát tối đa lực đẩy ngược hoặc phản lực mô men xoắn trong khi khởi động. Người vận hành có thể kiểm soát phản lực mô men xoắn hoặc lực đẩy ngược, nếu thực hiện các biện pháp phòng ngừa thích hợp.
- b) **Không đặt tay gần phụ tùng đang quay.** Phụ tùng có thể đẩy ngược lại vào tay bạn.
- c) **Không đứng thẳng hàng với đĩa đang quay.** Lực đẩy ngược sẽ đẩy dụng cụ theo hướng ngược với chuyển động của đĩa mài tại điểm bị kẹt.
- d) **Đặc biệt chú ý khi làm việc với các góc, cạnh sắc, v.v.... Tránh làm nảy và kẹt phụ tùng.** Góc, cạnh sắc hoặc nảy lên có xu hướng làm kẹt phụ tùng đang quay và gây ra mất kiểm soát hoặc lực đẩy ngược.
- e) **Không lắp xích cửa, lưới bảo gỗ, đĩa kim cương được phân cắt có khoảng cách ngoài vi lớn hơn 10 mm hoặc lưới cửa có răng.** Những lưới này tạo ra lực đẩy ngược thường xuyên và mất khả năng kiểm soát.
- f) **Không "ép chặt" đĩa hoặc tác dụng áp lực quá lớn.** Không có tạo vết cắt quá sâu. Ứng lực lên đá mài quá mức sẽ làm tăng tải và dễ làm cho đá mài bị xoắn hoặc bó chặt trong khi cắt và có thể dẫn đến hiện tượng đẩy ngược hoặc vỡ đá mài.
- g) **Khi đĩa bị bó kẹt hoặc khi ngừng cắt vì lý do nào đó, hãy ngắt điện dụng cụ máy và giữ dụng cụ máy đứng yên đến khi đĩa ngừng hoàn toàn.** Không ra sức tháo đá mài ra khỏi đường cắt trong khi đá mài đang chuyển động, nếu không có thể xảy ra hiện tượng đẩy ngược. Kiểm tra và tiến hành khắc phục để loại bỏ nguyên nhân gây bó kẹt đĩa.
- h) **Không bắt đầu lại hoạt động cắt ngay từ phôi gia công.** Hãy đợi đĩa đạt tốc độ tối đa và cẩn thận đặt lại vào vết cắt. Đĩa có thể bị bó kẹt, nảy lên hoặc đẩy ngược lại nếu dụng cụ cắt được bắt đầu lại ngay từ phôi gia công.
- i) **Hãy gá các tấm hoặc bất kỳ phôi gia công quá cỡ nào để giảm thiểu nguy cơ kẹt đĩa và lực**

đẩy ngược. Phôi gia công lớn thường võng xuống do trọng lượng của nó. Phải đặt các tấm đỡ bên dưới phôi gia công gần đường cắt và gần cạnh của phôi gia công ở cả hai phía của đĩa cắt.

j) **Đặc biệt thận trọng khi thực hiện “cắt lỗ” trên các bức tường có sẵn hoặc bề mặt kín khác.**

Đĩa cắt thò ra có thể cắt đường ống nước hoặc ga, dây điện hoặc các vật có thể gây ra lực đẩy ngược.

17. **Trước khi sử dụng đĩa kim cương được phân cắt, đảm bảo rằng đĩa kim cương có khoảng cách ngoại vi giữa các khoảng phân cắt từ 10 mm trở xuống, chỉ với góc trước của dao cắt âm.**

Cảnh báo an toàn bổ sung:

18. **Không ra sức cắt khi dụng cụ lật ngược trong bàn kẹp. Điều này có thể dẫn đến tai nạn nghiêm trọng do cực kỳ nguy hiểm.**
19. **Một số vật liệu có thể chứa hoá chất độc. Hãy cẩn thận để tránh hít phải bụi và tiếp xúc với da. Tuân theo dữ liệu an toàn của nhà cung cấp vật liệu.**
20. **Cắt giữ đĩa cắt theo khuyến nghị của nhà sản xuất. Cắt giữ không đúng cách có thể làm hỏng đĩa cắt.**

LƯU GIỮ CÁC HƯỚNG DẪN NÀY.

⚠ CẢNH BÁO:

KHÔNG được để sự thoải mái hay quen thuộc với sản phẩm (có được do sử dụng nhiều lần) thay thế việc tuân thủ nghiêm ngặt các quy định về an toàn dành cho sản phẩm này. **VIỆC DÙNG SAI** hoặc không tuân theo các quy định về an toàn được nêu trong tài liệu hướng dẫn này có thể dẫn đến thương tích cá nhân nghiêm trọng.

MÔ TẢ CHỨC NĂNG

⚠ THẬN TRỌNG:

- Luôn chắc chắn đã tắt và tháo phích cắm dụng cụ trước khi điều chỉnh hoặc kiểm tra chức năng trên dụng cụ.

Điều chỉnh độ sâu cắt (Hình 1)

Vận lỏng bu-lông có tai trên bộ phận dẫn hướng độ sâu và di chuyển để lên hoặc xuống. Tại mức cắt mong muốn, cố định để bằng cách vận chặt bu-lông có tai.

⚠ THẬN TRỌNG:

- Sau khi điều chỉnh mức cắt, luôn vận chặt bu-lông có tai.

Ngắm (Hình 2)

Căn chỉnh cạnh của mặt trước để với đường cắt trên phôi.

Thao tác với công tắc (Hình 3)

⚠ THẬN TRỌNG:

- Trước khi cắm điện cho dụng cụ, luôn kiểm tra để thấy rằng bộ khởi động công tắc khởi động đúng và trở về vị trí “OFF” (TẮT) khi nhả ra.

Đối với dụng cụ có nút khoá

Để khởi động dụng cụ, chỉ cần kéo bộ khởi động công tắc. Nhả bộ khởi động công tắc để dừng. Để hoạt động liên tục, hãy kéo bộ khởi động công tắc và đẩy nút khoá vào rồi nhả bộ khởi động công tắc. Để dừng dụng cụ ở vị trí khoá, hãy kéo bộ khởi động công tắc hết cỡ rồi nhả ra.

Đối với dụng cụ có nút mở khoá

Để ngăn bộ khởi động công tắc bị kéo vô tình, nút mở khoá được trang bị.

Để khởi động dụng cụ, ấn vào nút mở khoá và kéo bộ khởi động công tắc. Nhả bộ khởi động công tắc để dừng.

⚠ THẬN TRỌNG:

- Không kéo bộ khởi động công tắc mạnh mà không ấn vào nút mở khoá. Điều này có thể gây hỏng công tắc.

Đối với dụng cụ không có nút khoá/nút mở khoá

Để khởi động dụng cụ, chỉ cần kéo bộ khởi động công tắc. Nhả bộ khởi động công tắc để dừng.

QUÁ TRÌNH LẮP RÁP

⚠ THẬN TRỌNG:

- Luôn chắc chắn đã tắt và tháo phích cắm dụng cụ trước khi tiến hành bất kỳ công việc nào trên dụng cụ.

Lắp hoặc tháo đĩa kim cương (phụ tùng tùy chọn)

⚠ THẬN TRỌNG:

- Luôn đảm bảo rằng dụng cụ đã được tắt và rút nguồn trước khi lắp hoặc tháo đĩa kim cương.
- Chỉ sử dụng cờ lê Makita để lắp hoặc tháo đĩa kim cương.

Để tháo đĩa kim cương, giữ vành ngoài của bích bắt đĩa bằng cờ lê và rời lỏng bu-lông lục giác theo chiều kim đồng hồ bằng cờ lê sáu cạnh. Sau đó, tháo bu-lông lục giác, vành ngoài và đĩa kim cương. **(Hình 4)**

Để lắp đĩa kim cương, hãy làm ngược lại quy trình tháo. Luôn lắp đĩa kim cương sao cho mũi tên trên đĩa kim cương trở cùng chiều với mũi tên trên vỏ lõi của.

ĐẢM BẢO VẮN CHẶT BU-LÔNG LỤC GIÁC NGƯỢC CHIỀU KIM ĐỒNG HỒ. (Hình 5)

Cắt giữ cờ lê sáu cạnh (Hình 6)

Khi không sử dụng, cắt giữ cờ lê sáu cạnh như được minh hoạ trong hình để tránh làm mất.

Lưu lượng nước (Phụ tùng tùy chọn) (Hình 7)

Trước tiên, tháo phích cắm dụng cụ. Vận lỏng bu-lông có tai trên bộ phận dẫn hướng độ sâu và di chuyển để xuống. Lắp ống nước trên vỏ lõi của và siết chặt bằng vít.

Gắn ống nhựa vinyl vào ống nước và gắn bộ điều hợp trên ống nhựa vinyl vào vòi áp suất nước. Điều chỉnh lượng nước bằng cách chỉ cần điều chỉnh vòi nước.

VẬN HÀNH

THẬN TRỌNG:

- CHỈ NÊN SỬ DỤNG DỤNG CỤ NÀY TRÊN CÁC BỀ MẶT NẴM NGANG.
- Đảm bảo di chuyển dụng cụ tiến lên phía trước theo đường thẳng một cách nhẹ nhàng. Dồn và tác dụng quá nhiều áp lực hoặc làm cho đĩa kim cương bị cong, bó chặt hoặc xoắn trong quá trình cắt có thể khiến động cơ nóng quá mức và dụng cụ bị bật ngược lại gây nguy hiểm.

Cắm chắc dụng cụ. Đặt nắp đế lên trên phôi sẽ cắt mà không hề để đĩa kim cương tiếp xúc. Sau đó, bật dụng cụ và chờ cho đến khi đĩa kim cương đạt đến tốc độ tối đa. **(Hình 8)**

Bây giờ, chỉ cần di chuyển dụng cụ tiến lên phía trên bề mặt phôi, giữ cho bề mặt phôi phẳng và tiến lùi của nhẹ nhàng cho đến khi quá trình cắt hoàn thành. Giữ cho đường cắt thẳng và tốc độ tiến đồng nhất.

BẢO DƯỠNG

THẬN TRỌNG:

- Luôn đảm bảo tắt dụng cụ và rút phích cắm trước khi cố gắng thực hiện kiểm tra hoặc bảo dưỡng.
- Không bao giờ dùng xăng, ét xăng, dung môi, cồn hoặc hóa chất tương tự. Có thể xảy ra hiện tượng mất màu, biến dạng hoặc nứt vỡ.

Sau khi sử dụng

Thổi bụi ra khỏi phần trong của dụng cụ bằng cách để dụng cụ chạy một lúc ở chế độ không tải. Gạt sạch hết bụi tích tụ trên đế. Bụi tích tụ trong động cơ hoặc trên đế có thể khiến động cơ bị hỏng.

Thay chổi than

Tháo và kiểm tra chổi than thường xuyên. Thay chổi than khi chúng bị mòn dưới vạch giới hạn. Giữ chổi than sạch và tự do trượt vào các giá đỡ. Cả hai chổi than nên được thay cùng một lúc. Chỉ sử dụng các chổi than giống nhau. **(Hình 9)**

Sử dụng tua vít để tháo nắp giá đỡ chổi than. Tháo chổi than đã mòn ra, lắp chổi than mới và cố định nắp giá đỡ chổi than. **(Hình 10)**

Để duy trì ĐỘ AN TOÀN và ĐỘ TIN CẬY của sản phẩm, việc sửa chữa, bảo dưỡng hoặc bất kỳ điều chỉnh nào khác đều phải do Trung tâm Bảo trì Được ủy quyền của Makita thực hiện, luôn sử dụng các bộ phận thay thế của Makita.

PHỤ KIỆN TỰY CHỌN

THẬN TRỌNG:

- Các phụ tùng hoặc phụ kiện này được khuyến nghị sử dụng với dụng cụ Makita của bạn được chỉ định trong tài liệu này. Việc sử dụng bất kỳ phụ tùng hoặc phụ kiện nào khác có thể dẫn đến rủi ro thương tích cho con người. Chỉ sử dụng phụ tùng hoặc phụ kiện với mục đích được nêu.

Nếu bạn cần bất kỳ sự hỗ trợ nào để biết thêm chi tiết về các phụ tùng này, hãy hỏi Trung tâm Bảo trì Makita tại địa phương của bạn.

- Đĩa kim cương (Loại khô)
- Đĩa kim cương (Loại ướt)
- Cờ lê số 22

- Cờ lê sáu cạnh

CHÚ Ý:

- Một số mục trong danh sách có thể được bao gồm trong gói dụng cụ làm các phụ kiện chuẩn. Các mục này ở mỗi quốc gia có thể khác nhau.

คำอธิบายเกี่ยวกับมุมมองทั่วไป

- | | | |
|-------------------------|--------------------|-------------------------|
| 1. โบลต์หึงปลา | 6. ประแจหกเหลี่ยม | 11. หัวก๊อกรั่ว |
| 2. ฐาน | 7. หน้าแปลนด้านนอก | 12. ท่อน้ำ |
| 3. ไกลสวิทช์ | 8. ใบตัดเพชร | 13. เครื่องหมายขีดจำกัด |
| 4. ปุ่มล๊อค/ปุ่มล๊อคออฟ | 9. หน้าแปลนด้านใน | 14. ไชควง |
| 5. ประแจ | 10. โบลต์หกเหลี่ยม | 15. ฝาปิดช่องใส่ประแจ |

ข้อมูลทางเทคนิค

รุ่น	4100NH3
เส้นผ่านศูนย์กลางของใบเลื่อย	110 มม.
เส้นผ่านศูนย์กลางรู	20 มม.
ความหนาสูงสุดของใบตัดเพชร	2.0 มม.
ความสามารถในการตัดสูงสุด	32 มม.
อัตราความเร็ว (n)/ความเร็วขณะเดินเครื่องเปล่า (n_0)	13,000 นาที ⁻¹
ความยาวทั้งหมด	227 มม.
น้ำหนักสุทธิ	2.9 กก.
ระดับความปลอดภัย	II/II

- เนื่องจากการวิจัยและการพัฒนาของเราเป็นแผนงานต่อเนื่อง ดังนั้นข้อมูลเทคนิคที่ระบุในเอกสารนี้อาจมีการเปลี่ยนแปลงโดยไม่ต้องแจ้งให้ทราบล่วงหน้า
- ข้อมูลเทคนิคอาจแตกต่างกันในแต่ละประเทศ
- น้ำหนักตามข้อบังคับของ EPTA 01/2003

สัญลักษณ์

END202-8

ต่อไปนี้เป็นสัญลักษณ์ที่ใช้สำหรับอุปกรณ์ โปรดศึกษาความหมายของสัญลักษณ์ให้เข้าใจก่อนการใช้งาน



... อ่านคู่มือการใช้งาน



..... จำนวนหุ้มสองชั้น



.... สวมแว่นตานิรภัย

วัตถุประสงค์การใช้งาน

ENE023-2

เครื่องมือนี้ผลิตขึ้นเพื่อใช้ตัดก้อนอิฐ คอนกรีต และก้อนหิน

การจ่ายไฟ

ENF002-2

ต้องเชื่อมต่อเครื่องมือกับเครื่องจ่ายไฟที่มีแรงเคลื่อนไฟฟ้าตามที่ระบุไว้ในป้ายข้อมูลเครื่องจักร และจะต้องใช้ไฟฟ้ากระแสสลับแบบเฟสเดียวเท่านั้น เครื่องนี้มีฉนวนหุ้มสองชั้นดังนั้นจึงสามารถใช้เสียบเข้ากับไฟฟ้าที่ไม่มีสายดินได้

คำเตือนด้านความปลอดภัยสำหรับเครื่องมือไฟฟ้าทั่วไป

GEA005-3

⚠ คำเตือน

อ่านคำเตือนด้านความปลอดภัยและคำแนะนำทั้งหมด

การไม่ปฏิบัติตามคำเตือนและคำแนะนำดังกล่าวอาจส่งผลกระทบต่อความปลอดภัยของตัวเครื่อง และ/หรือได้รับบาดเจ็บอย่างร้ายแรง

เก็บรักษาคำเตือนและคำแนะนำทั้งหมดไว้เป็นข้อมูลอ้างอิงในอนาคต

คำว่า "เครื่องมือไฟฟ้า" ในคำเตือนนี้ หมายถึง เครื่องมือไฟฟ้า (มีสาย) ที่ทำงานโดยใช้กระแสไฟฟ้า หรือเครื่องมือไฟฟ้า (ไร้สาย) ที่ทำงานโดยใช้แบตเตอรี่

ความปลอดภัยของพื้นที่ทำงาน

- ดูแลพื้นที่ทำงานให้มีความสะอาดและมีแสงไฟสว่าง พื้นที่ที่กระเบื้องกระเบื้องหรือมีดที่บิ่นอาจนำไปสู่การเกิดอุบัติเหตุได้
- อย่าใช้งานเครื่องมือไฟฟ้าในสภาพที่อาจเกิดการระเบิด เช่น ในสถานที่ที่มีของเหลว ก๊าซ หรือฝุ่นผงที่มีคุณสมบัติ

ไวไฟ เครื่องมือไฟฟ้าจะสร้างประกายไฟเพื่อจุดชนวนฝุ่นผงหรือก๊าซดังกล่าว

3. **ดูแลไม่ให้มีเด็ก ๆ หรือบุคคลอื่นอยู่ในบริเวณที่กำลังใช้เครื่องมือไฟฟ้า** การมีสิ่งรบกวนสมาธิอาจทำให้คุณสูญเสียการควบคุม

ความปลอดภัยด้านไฟฟ้า

4. **ปลั๊กของเครื่องมือไฟฟ้าต้องพอดีกับเต้ารับ อย่าดัดแปลงปลั๊กไม่ว่ากรณีใด ๆ** อย่าใช้ปลั๊กอะแดปเตอร์กับเครื่องมือไฟฟ้าที่ต่อสายดิน (กราวด์) ปลั๊กที่ไม่ถูกต้องและเต้ารับไฟที่เข้ากันพอดีจะช่วยลดความเสี่ยงของการเกิดไฟฟ้าช็อต
5. **ระวังอย่าให้ร่างกายสัมผัสกับพื้นผิวที่ต่อสายดิน เช่น ท่อเครื่องทำความร้อน เครื่องใช้ไฟฟ้าในครัว และตู้เย็น** มีความเสี่ยงที่จะเกิดไฟฟ้าช็อตสูงขึ้น หากร่างกายของคุณสัมผัสกับพื้น
6. **อย่าให้เครื่องมือไฟฟ้าถูกน้ำหรืออยู่ในสภาพเปียกชื้น** น้ำที่ไหลเข้าไปในเครื่องมือไฟฟ้าจะเพิ่มความเสี่ยงของการเกิดไฟฟ้าช็อต
7. **อย่าใช้สายไฟอย่างไม่เหมาะสม อย่าใช้สายไฟเพื่อยก ดึง หรือ ถอดปลั๊กเครื่องมือไฟฟ้า** เก็บสายไฟให้ห่างจากความร้อน น้ำมัน ของมีคม หรือชิ้นส่วนที่เคลื่อนที่ สายที่ชำรุดหรือพันกันจะเพิ่มความเสี่ยงของการเกิดไฟฟ้าช็อต
8. **ขณะที่ใช้งานเครื่องมือไฟฟ้ากลางแจ้ง ควรใช้สายต่อพ่วงที่เหมาะสมกับงานกลางแจ้ง** การใช้สายที่เหมาะสมกับงานกลางแจ้งจะลดความเสี่ยงของการเกิดไฟฟ้าช็อต
9. **หากต้องใช้งานเครื่องมือไฟฟ้าในสถานที่เปียกชื้น ให้ใช้อุปกรณ์ป้องกันกระแสไฟรั่ว (RCD)** การใช้ RCD จะลดความเสี่ยงของการเกิดไฟฟ้าช็อต
10. **ขอแนะนำให้ใช้แหล่งจ่ายไฟผ่าน RCD ที่มีกระแสไฟรั่วในอัตราไม่เกิน 30 mA เสมอ**

ความปลอดภัยส่วนบุคคล

11. **ให้ระมัดระวัง และสังเกตเสมอว่าคุณกำลังทำสิ่งใดอยู่ และใช้สามัญสำนึกในขณะใช้งานเครื่องมือไฟฟ้า** อย่าใช้งานเครื่องมือไฟฟ้าในขณะที่คุณกำลังเหนื่อย หรือในสภาพที่มีเมฆจากยาเสพติด เครื่องดื่มแอลกอฮอล์ หรือการเข้ายา ช่วงเวลาที่ขาดความระมัดระวังเมื่อกำลังใช้งานเครื่องมือไฟฟ้าอาจทำให้คุณได้รับบาดเจ็บอย่างรุนแรง
12. **ใช้อุปกรณ์ป้องกันส่วนบุคคล สวมแว่นตาป้องกันเสมอ** อุปกรณ์ป้องกัน เช่น หน้ากากกันฝุ่น รองเท้านิรภัยกันสั่น หมวกนิรภัย หรือเครื่องป้องกันการได้ยินที่ใช้ในสภาพที่เหมาะสมจะช่วยลดการบาดเจ็บ
13. **ป้องกันไม่ให้เปิดใช้งานอย่างไม่มีตั้งใจ ตรวจสอบว่าสวิตช์อยู่ในตำแหน่งปิดก่อนเชื่อมต่อกับแหล่งจ่ายไฟ และ/หรือ ชุดแบตเตอรี่ หรือก่อนการยกหรือถือเครื่องมือ** การสอดนิ้วมือบริเวณสวิตช์เพื่อถือเครื่องมือไฟฟ้า หรือการชาร์จไฟ

เครื่องมือไฟฟ้าในขณะที่เปิดสวิตช์อยู่อาจนำไปสู่การเกิดอุบัติเหตุ

14. **นำกฎแฉับปรับแต่งหรือประแจออกก่อนที่จะเปิดเครื่องมือไฟฟ้า** ประแจหรือคีย์ที่เสียบค้างอยู่ในชิ้นส่วนที่หมุนได้ของเครื่องมือไฟฟ้าอาจทำให้คุณได้รับบาดเจ็บ
15. **อย่าทำงานในระยะเวลาที่ สุดเอี่ยม จัดทำภาระยื่นและการทรมานให้เหมาะสมตลอดเวลา** เพราะจะทำให้ควบคุมเครื่องมือไฟฟ้าได้ดีขึ้นในสถานการณ์ที่ไม่คาดคิด
16. **แต่งกายให้เหมาะสม อย่าสวมเครื่องแต่งกายที่หลวมเกินไป หรือสวมเครื่องประดับ ดูแลไม่ให้เส้นผม เสื้อผ้า และถุงมืออยู่ใกล้ชิ้นส่วนที่เคลื่อนที่** เสื้อผ้า ร่ม ร่ม และเครื่องประดับ หรือผมที่มีความยาวอาจเข้าไปติดในชิ้นส่วนที่เคลื่อนที่
17. **หากมีการจัดอุปกรณ์สำหรับดูดและจัดเก็บฝุ่นไว้ในสถานที่ ให้ตรวจสอบว่าได้เชื่อมต่อและใช้งานอุปกรณ์นั้นอย่างเหมาะสม** การใช้เครื่องดูดและจัดเก็บฝุ่นจะช่วยลดอันตรายที่เกิดจากฝุ่นผงได้

การใช้และดูแลเครื่องมือไฟฟ้า

18. **อย่าฝืนใช้เครื่องมือไฟฟ้า ใช้เครื่องมือไฟฟ้าที่เหมาะสมกับการใช้งานของคุณ** เครื่องมือไฟฟ้าที่เหมาะสมจะทำให้ได้งานที่มีประสิทธิภาพและปลอดภัยกว่าตามขีดความสามารถของเครื่องที่ได้รับการออกแบบมา
19. **อย่าใช้เครื่องมือไฟฟ้า หากสวิตช์ไม่สามารถเปิดปิดได้** เครื่องมือไฟฟ้าที่ใช้สวิตช์ควบคุมไม่ได้จัดเป็นอันตรายและต้องได้รับการซ่อมแซม
20. **ถอดปลั๊กจากแหล่งจ่ายไฟ และ/หรือชุดแบตเตอรี่ออกจากเครื่องมือไฟฟ้าก่อนทำการปรับแต่ง เปลี่ยนอุปกรณ์เสริม หรือจัดเก็บเครื่องมือไฟฟ้า** วิธีการป้องกันด้านความปลอดภัยดังกล่าวจะช่วยลดความเสี่ยงของการเปิดใช้งานเครื่องมือไฟฟ้าอย่างไม่มีตั้งใจ
21. **จัดเก็บเครื่องมือไฟฟ้าที่ไม่ได้ใช้งานให้ห่างจากมือเด็ก และอย่าอนุญาตให้บุคคลที่ไม่คุ้นเคยกับเครื่องมือไฟฟ้า หรือคำแนะนำเหล่านี้ใช้งานเครื่องมือไฟฟ้า** เครื่องมือไฟฟ้าจะเป็นอันตรายเมื่ออยู่ในมือของผู้ที่ไม่ได้รับการฝึกอบรม
22. **การดูแลเครื่องมือไฟฟ้า ตรวจสอบการประกอบที่ไม่ถูกต้องหรือการเชื่อมต่อของชิ้นส่วนที่เคลื่อนที่ การแตกหักของชิ้นส่วน และสภาพอื่นๆ ที่อาจส่งผลกระทบต่อการทำงานของเครื่องมือไฟฟ้า** หากมีความเสียหาย ให้นำเครื่องมือไฟฟ้าไปซ่อมแซมก่อนการใช้งาน อุบัติเหตุจำนวนมากเกิดจากการดูแลรักษาเครื่องมือไฟฟ้าอย่างไม่ถูกต้อง
23. **ล้างความคมและทำความสะอาดเครื่องมือการตัดอยู่เสมอ** เครื่องมือการตัดที่มีการดูแลอย่างถูกต้องและมีขอบการตัดคมมักจะมีปัญหาติดขัดน้อยและควบคุมได้ง่ายกว่า

24. ใช้เครื่องมือไฟฟ้า อุปกรณ์เสริม และวัสดุสิ้นเปลือง ฯลฯ ตามคำแนะนำดังกล่าว พิจารณาสภาพการทำงานและงานที่จะลงมือทำ การใช้เครื่องมือไฟฟ้าเพื่อทำงานอื่น นอกเหนือจากที่กำหนดไว้อาจทำให้เกิดอันตราย

การบริการ

25. นำเครื่องมือไฟฟ้าเข้ารับบริการจากช่างซ่อมที่ผ่านการรับรองโดยช่างโหล่แบบเดียวกันเท่านั้น เพราะจะทำให้การใช้เครื่องมือไฟฟ้ามีความปลอดภัย
26. ปฏิบัติตามคำแนะนำในการหล่อลื่นและการเปลี่ยนอุปกรณ์เสริม
27. ดูแลมือจับให้แห้ง สะอาด และไม่มีน้ำมันและจาระบีเปื้อน

คำเตือนด้านความปลอดภัยของเครื่องตัด

GEB025-6

1. ต้องประกอบฝาครอบเข้ากับเครื่องมือไฟฟ้าอย่างแน่นหนาและจัดวางตำแหน่งให้มีความปลอดภัยที่สุด โดยให้ใบตัดในสวนที่ไม่มีฝาครอบหันไปทางผู้ปฏิบัติงานน้อยที่สุด จัดให้ตัวคุณและบุคคลข้างเคียงอยู่ห่างจากระนาบการหมุนของใบตัด ฝาครอบจะช่วยป้องกันผู้ปฏิบัติงานจากเศษใบตัดที่แตกหักและการสัมผัสกับใบตัดอย่างไม่ตั้งใจ
2. ใช้เฉพาะใบตัดเพชรสำหรับเครื่องมือไฟฟ้าของคุณเท่านั้น แม้ว่าอุปกรณ์เสริมบางอย่างจะสามารถประกอบเข้ากับเครื่องมือไฟฟ้าของคุณได้ แต่ก็ไม่ได้รับประกันว่าการใช้งานจะมีความปลอดภัย
3. อัตราความเร็วของอุปกรณ์เสริมต้องเท่ากับความเร็วสูงสุดที่ระบุไว้บนเครื่องมือไฟฟ้าเป็นอย่างน้อย อุปกรณ์เสริมที่ทำงานเร็วกว่าอัตราความเร็วของเครื่องอาจชำรุดแตกหักหรือกระเด็นออกมา
4. ต้องใช้ใบตัดตามการใช้งานที่แนะนำเท่านั้น ตัวอย่างเช่น: อย่าเจียโดยใช้ด้านข้างของใบตัด ใบตัดโลหะผลิตขึ้นมาเพื่อใช้ในการเจียจากขอบด้านบน การใช้แรงกดด้านข้างของใบตัดอาจทำให้ใบตัดแตกหักได้
5. ใช้หน้าแปลนของใบตัดที่ไม่ชำรุดเสียหายโดยมีขนาดและรูปทรงที่เหมาะสมกับใบตัดที่คุณเลือกไว้เสมอ หน้าแปลนของใบเจียที่เหมาะสมจะช่วยยึดใบเจียไว้ จึงช่วยลดโอกาสของการที่ใบเจียจะชำรุดเสียหาย
6. เส้นผ่าศูนย์กลางด้านนอกและความหนาของอุปกรณ์เสริมต้องอยู่ในขนาดที่กำหนดของเครื่องมือไฟฟ้า เพราะจะไม่สามารถป้องกันหรือควบคุมอุปกรณ์เสริมที่มีขนาดไม่ถูกต้องได้อย่างเหมาะสม
7. ขนาดรูของใบตัดและหน้าแปลนต้องพอดีกับเพลารูหมุนของเครื่องมือไฟฟ้า ใบตัดและหน้าแปลนที่มีรูไม่พอดีกับ

- ด้วยดีของเครื่องมือไฟฟ้าจะทำงานอย่างไม่สมดุล สั่นสะเทือนแรงเกินไป และอาจทำให้สูญเสียการควบคุมได้
8. อย่าใช้งานใบตัดที่ชำรุดเสียหาย ก่อนการใช้งาน ให้ตรวจสอบว่าใบตัดมีกราะตะเภาหรือแตกร้าวหรือไม่ หากเครื่องมือไฟฟ้าหรือใบตัดร่วงหล่นกับพื้น ให้ตรวจสอบความชำรุดเสียหาย หรือประกอบใบตัดที่ไม่ได้รับความเสียหาย หลังจากการตรวจสอบและการประกอบใบตัด คุณและบุคคลรอบข้างควรอยู่ห่างจากระนาบของใบตัดที่กำลังหมุนอยู่ จากนั้นให้เปิดเครื่องมือไฟฟ้าด้วยความเร็วสูงสุดขณะเดินเครื่องเปล่าประมาณหนึ่งนาที โดยปกติแล้ว ใบตัดที่ชำรุดเสียหายจะแตกหักออกมาในช่วงเวลาของการทดสอบนี้
 9. สวมใส่อุปกรณ์ป้องกันส่วนบุคคล ใช้หน้ากากป้องกันหน้า แว่นครอบตาที่ผู้พลม หรือแว่นตานิรภัยตามลักษณะการใช้งาน ให้สวมหน้ากากกันฝุ่น เครื่องป้องกันการได้ยิน ถุงมือและชุดป้องกันที่สามารถป้องกันเศษชิ้นงานหรือเศษผงจากการชำรุดชิ้นเล็ก ๆ ตามความเหมาะสม ชุดป้องกันสายตาต้องสามารถป้องกันเศษชิ้นงานที่ปลิวอยู่ในอากาศซึ่งเกิดจากการทำงานในรูปแบบต่างๆ หน้ากากกันฝุ่นหรือหน้ากากป้องกันพิษต้องสามารถกรองอนุภาคเล็กๆ ที่เกิดจากการทำงานของคุณ การได้ยินเสียงรบกวนที่มีความดังสูงติดต่อกันเป็นเวลานานอาจทำให้สูญเสียการได้ยิน
 10. จัดให้บุคคลรอบข้างอยู่ในระยะห่างที่ปลอดภัยจากพื้นที่การทำงาน บุคคลที่เข้าสู่พื้นที่การทำงานต้องสวมใส่ชุดอุปกรณ์ป้องกัน เศษชิ้นงานหรือใบตัดที่แตกหักอาจปลิวกระเด็นออกมา และเป็นสาเหตุให้ได้รับบาดเจ็บได้โดยตรงจากพื้นที่การทำงาน
 11. ถือเครื่องมือไฟฟ้าบริเวณมือจับที่มีฉนวนหุ้มเท่านั้น ขณะทำงานอุปกรณ์ที่ใช้ตัดอาจสัมผัสกับสายไฟที่ซ่อนอยู่หรือสายไฟของเครื่องเอง ชิ้นส่วนของเครื่องมือตัดที่สัมผัสกับสายไฟที่ "มีกระแสไฟฟ้าไหลผ่าน" อาจทำให้ส่วนที่เป็นโลหะของเครื่องมือไฟฟ้าที่ไม่มีฉนวนหุ้ม "มีกระแสไฟฟ้าไหลผ่าน" และทำให้ผู้ปฏิบัติงานถูกไฟฟ้าช็อตได้
 12. จัดตำแหน่งให้สายไฟอยู่ห่างจากอุปกรณ์เสริมที่กำลังหมุนอยู่ หากคุณสูญเสียการควบคุม สายไฟอาจถูกตัดหรือถูกเกี่ยวและทำให้มือหรือแขนของคุณถูกดึงเข้าไปในใบตัดที่กำลังหมุนอยู่
 13. อย่าวางเครื่องมือไฟฟ้าลงจนกว่าอุปกรณ์เสริมจะหยุดทำงานจนสนิท ใบตัดที่กำลังหมุนอยู่อาจสัมผัสถูกพื้นและดึงเครื่องมือไฟฟ้าจนหลุดจากการควบคุมของคุณ
 14. อย่าเปิดสวิตช์เครื่องมือไฟฟ้า ในขณะที่กำลังถือเครื่องหันมาทางตัวเอง การสัมผัสกับอุปกรณ์เสริมที่กำลังหมุนอยู่โดยไม่ตั้งใจอาจเกี่ยวเข้ากับเสื้อผ้าของคุณ ซึ่งจะดึงอุปกรณ์เสริมเข้าหาตัวคุณได้

15. ให้ความสะอาดช่องระบายอากาศของเครื่องมือไฟฟ้าอย่างสม่ำเสมอ พัดลมของมอเตอร์จะพัดเศษฝุ่นผงเข้าไปภายในเครื่องและกระแสลมของเศษผงโลหะที่มากเกินไปอาจทำให้เกิดอันตรายจากไฟฟ้าช็อตได้
16. อย่าใช้เครื่องมือไฟฟ้าใกล้วัตถุไวไฟ ประกายไฟอาจทำให้เกิดวัตถุดังกล่าวลุกไหม้

การติดกลับและคำเตือนที่เกี่ยวข้อง

การติดกลับ คือ ปฏิกริยาสะท้อนกลับที่เกิดขึ้นทันทีจากการกระทบหรือการเกี่ยว กับใบตัดที่กำลังหมุนอยู่ การกระทบหรือการเกี่ยวทำให้ใบตัดที่กำลังหมุนอยู่หยุดทำงานทันที ซึ่งเป็นสาเหตุให้เครื่องมือไฟฟ้าที่ไม่สามารถควบคุมได้ถูกผลักให้ไปอยู่ในทิศทางตรงกันข้ามกับการหมุนของใบตัด ณ จุดที่มีการสัมผัสตัวอย่างเช่น หากใบเจียเกี่ยวหรือกระทบกับชิ้นงาน ขอบของใบเจียในจุดที่มีการกระทบจะกินลึกเข้าไปในพื้นที่ผิวของวัสดุซึ่งจะเป็นสาเหตุให้ใบเจียปืนออกมาหรือติดกลับ ใบเจียอาจตัดเข้าหาหรือออกจากผู้ใช้งาน ขึ้นอยู่กับทิศทางของการเคลื่อนที่ของใบเจีย ณ จุดที่มีการกระทบ และอาจทำให้ใบเจียขาดแตกหักในสภาพดังกล่าว การติดกลับคือผลจากการใช้งานเครื่องมือไฟฟ้าผิดวัตถุประสงค์ และ/หรือขั้นตอนหรือสภาพการปฏิบัติงานไม่ถูกต้อง แต่สามารถหลีกเลี่ยงได้หากใช้มาตรการป้องกันที่เหมาะสมต่อไปนี้

- a) ถือมือจับของเครื่องมือไฟฟ้าอย่างมั่นคง และจัดตำแหน่งร่างกายและแขนของคุณให้สามารถต้านทานแรงติดกลับได้ ใช้มือจับเสริมเสมอ (ถ้ามี) เพื่อให้สามารถควบคุมได้อย่างเต็มที่เมื่อมีการติดกลับหรือเกิดปฏิกริยาของแรงบิดระหว่างการเปิดใช้งานเครื่องผู้ปฏิบัติงานสามารถควบคุมปฏิกริยาของแรงบิดหรือแรงติดกลับได้ หากใช้มาตรการป้องกันที่เหมาะสม
- b) อย่าให้มืออยู่ใกล้อุปกรณ์เสริมที่กำลังหมุนอยู่ อุปกรณ์เสริมนั้นอาจติดกลับมาที่มือของคุณ
- c) อย่าให้ร่างกายของคุณอยู่ในแนวเดียวกับใบตัดที่กำลังหมุน การติดกลับอาจผลักเครื่องมือให้ไปในทิศทางตรงข้ามกับการเคลื่อนที่ของใบเจีย ณ จุดที่มีการเกี่ยวกัน
- d) ใช้ความระมัดระวังเป็นพิเศษเมื่อกำลังทำงานกับมุมขอบที่มีความคม ฯลฯ ป้องกันไม่ให้เกิดการติดกลับหรือการเกี่ยวของอุปกรณ์เสริม มุมที่มีความคม หรือการติดกลับอาจเกี่ยวเข้ากับอุปกรณ์เสริมที่กำลังหมุนอยู่ และเป็นสาเหตุให้สูญเสียการควบคุมหรือการติดกลับ
- e) อย่าใส่เสื้อผ้า ใบเสื่อ และสลัก ใบตัดเพชรที่มีระยะห่างตรงขอบนอกเกินกว่า 10 มม. หรือใบเสื่อที่มีพื้นใบเสื่อดังกล่าวมักทำให้เครื่องติดกลับหรือสูญเสียการควบคุม
- f) อย่า "กด" ใบตัดหรือใช้แรงดันมากเกินไป อย่าพยายามสร้างรอยตัดให้ลึกเกินไป การใช้แรงกดใบตัดมากเกินไปจะเป็นการเพิ่มภาระในการทำงานและอาจทำให้เกิด

ใบตัดบิดหรือโค้งงอในขณะที่ตัดได้ง่าย และมีโอกาสที่จะเกิดการติดกลับหรือการแตกหักของใบตัด

- g) เมื่อใบตัดติดขัดหรือเมื่อมีการขัดจังหวะการตัดด้วยเหตุผลบางประการ ให้ปิดสวิตช์เครื่องมือไฟฟ้า และถือเครื่องมือไว้ไม่ให้เคลื่อนไหว จนกว่าใบตัดจะหยุดหมุนจนสนิท อย่าพยายามนำเอาใบตัดออกจากการตัด เมื่อใบตัดกำลังเคลื่อนที่ มีฉะนั้น อาจเกิดการติดกลับได้ การตรวจสอบและการดำเนินการแก้ไขจะช่วยกำจัดสาเหตุการติดขัดของใบตัดได้
- h) อย่าเริ่มการตัดในชิ้นงาน ปล่อยให้ใบตัดหมุนจนถึงความเร็วสูงสุดและค่อย ๆ เข้าสู่การตัดช้าอย่างระมัดระวัง ใบตัดอาจติดขัด ปั่นขึ้น หรือติดกลับ หากเปิดเครื่องมือไฟฟ้าซ้ำในขณะที่เครื่องอยู่ในชิ้นงาน
- i) การยึดแผ่นรองหรือชิ้นงานที่มีขนาดใหญ่เกินไปจะช่วยลดความเสี่ยงของการติดขัดและการติดกลับของใบตัด ชิ้นงานขนาดใหญ่มักจะห้อยตกลงมาเนื่องจากน้ำหนักของมัน ดังนั้น จะต้องยึดยึดวางไว้ข้างใต้ชิ้นงานใกล้แนวการตัดและใกล้ขอบของชิ้นงานทั้งสองด้านของใบตัด
- j) ใช้ความระมัดระวังเป็นพิเศษ เมื่อทำ "การตัดช่อง" ในผนังที่มีอยู่เดิมหรือในพื้นที่ตาดบ่ออื่น ๆ ใบตัดที่ยื่นออกมาอาจตัดไปถูกท่อส่งแก๊สหรือท่อน้ำ สายไฟ หรือวัตถุอื่นๆ ที่อาจทำให้เกิดการติดกลับ

17. ก่อนใช้งานใบตัดเพชรที่มีการแบ่งเป็นส่วน ๆ ต้องตรวจสอบให้แน่ใจว่าระยะห่างตรงขอบนอกของใบตัดเพชรระหว่างแต่ละส่วนมีค่า 10 มม. หรือน้อยกว่านั้น เฉพาะเมื่อมุมลาดเฉียงมีค่าเป็นลบเท่านั้น

คำเตือนด้านความปลอดภัยเพิ่มเติม:

18. อย่าพยายามตัดโดยจับเครื่องมือกลับบนลงล่าง การกระทำดังกล่าวอาจทำให้เกิดอุบัติเหตุร้ายแรง เพราะเป็นสิ่งที่มิอันตรายมาก
19. วัสดุบางอย่างอาจมีสารเคมีที่เป็นพิษ ระวังอย่าสูดดมฝุ่นหรือให้สารเหล่านั้นสัมผัสกับร่างกาย ปฏิบัติตามข้อมูลด้านความปลอดภัยของผู้ผลิตวัสดุ
20. เก็บใบเจียตามคำแนะนำของผู้ผลิต การเก็บรักษาที่ไม่เหมาะสมอาจทำให้ใบเจียชำรุดเสียหายได้

เก็บรักษาคำแนะนำเหล่านี้ไว้

⚠ คำเตือน:

อย่าให้ความไม่ระมัดระวังหรือความคุ้นเคยกับผลิตภัณฑ์ (จากการใช้งานซ้ำหลายครั้ง) อยู่เหนือการปฏิบัติตามกฎเกณฑ์ด้านความปลอดภัยในการทำงานผลิตภัณฑ์อย่างเคร่งครัด การปฏิบัติอย่างไม่เหมาะสมหรือการไม่ปฏิบัติตามกฎเกณฑ์ด้านความปลอดภัยในคู่มือการใช้งานนี้อาจก่อให้เกิดการบาดเจ็บอย่างรุนแรง

คำอธิบายการใช้งาน

⚠️ ข้อควรระวัง:

- ก่อนปรับเปลี่ยนหรือตรวจสอบการทำงานของเครื่อง ต้องตรวจสอบให้แน่ใจว่าได้ปิดสวิตช์และถอดปลั๊กเครื่องแล้วทุกครั้ง

การปรับความลึกของการตัด (ภาพที่ 1)

คลายเกลียวโบลต์หางปลาบนแผ่นนำความลึก และเลื่อนฐานไปทางด้านบนหรือด้านล่าง เมื่อได้ความลึกที่ต้องการ ยึดฐานเครื่องมือโดยขันโบลต์หางปลาให้แน่น

⚠️ ข้อควรระวัง:

- หลังปรับความลึกในการตัด ขันโบลต์หางปลาให้แน่นเสมอ

การเล็งระยะ (ภาพที่ 2)

ให้จัดตำแหน่งขบที่อยู่ด้านหน้าของฐานตามแนวการตัดบนชิ้นงานของคุณ

การทำงานของสวิตช์ (ภาพที่ 3)

⚠️ ข้อควรระวัง:

- ก่อนเสียบปลั๊กเครื่องมือ ให้ตรวจสอบว่าโกลสวิตช์สามารถทำงานได้อย่างถูกต้อง และกลับไปยังตำแหน่ง "OFF" (ปิด) เมื่อปล่อย

สำหรับเครื่องมือที่มีปุ่มล็อค

ในการเริ่มต้นใช้งานเครื่องมือ ให้ดึงโกลสวิตช์ ปล่อยโกลสวิตช์เพื่อหยุดการทำงาน หากต้องการทำงานต่อเนื่อง ให้ดึงโกลสวิตช์ แล้วกดปุ่มล็อค จากนั้นจึงปล่อยโกลสวิตช์ ถ้าต้องการเลิกใช้งานเครื่องมือในตำแหน่งล็อค ให้ดึงโกลจนสุด จากนั้นจึงปล่อย

สำหรับเครื่องมือที่มีปุ่มล็อคออฟ

เพื่อป้องกันไม่ให้เกิดโกลสวิตช์ถูกดึงอย่างไม่ตั้งใจ จึงมีการติดตั้งปุ่มล็อคออฟเอาไว้

ในการเริ่มต้นใช้งานเครื่องมือ ให้กดปุ่มล็อคออฟและดึงโกลสวิตช์ ปล่อยโกลสวิตช์เพื่อหยุดการทำงาน

⚠️ ข้อควรระวัง:

- อย่าดึงโกลสวิตช์อย่างรุนแรงโดยไม่ได้กดปุ่มล็อคออฟ เพราะอาจทำให้สวิตช์แตกหักได้

สำหรับเครื่องมือที่ไม่มีปุ่มล็อค/ปุ่มล็อคออฟ

ในการเริ่มต้นใช้งานเครื่องมือ ให้ดึงโกลสวิตช์ ปล่อยโกลสวิตช์เพื่อหยุดการทำงาน

การประกอบ

⚠️ ข้อควรระวัง:

- ก่อนดำเนินการใดๆ กับเครื่อง ต้องตรวจสอบให้แน่ใจว่าปิดสวิตช์และถอดปลั๊กเครื่องแล้วทุกครั้ง

การถอดการติดตั้งหรือไปตัดเพชร (อุปกรณ์เสริม)

⚠️ ข้อควรระวัง:

- ตรวจสอบว่าปิดสวิตช์และถอดปลั๊กเครื่องแล้วก่อนติดตั้งหรือถอดไปตัดเพชร

- ใช้ประแจของ Makita เพื่อถอดหรือติดตั้งไปตัดเพชรเท่านั้น

ในการถอดไปตัดเพชร ให้ใช้ประแจจับหน้าแปลนด้านนอก และคลายเกลียวโบลต์หกเหลี่ยมตามเข็มนาฬิกาโดยใช้ประแจหกเหลี่ยม จากนั้นให้ถอดโบลต์หกเหลี่ยม หน้าแปลนด้านนอก และไปตัดเพชรออก (ภาพที่ 4)

ในการติดตั้งไปตัดเพชร ให้ปฏิบัติตามขั้นตอนการถอดในลำดับย้อนกลับ ติดตั้งไปตัดเพชรโดยให้ลูกศรบนจุดต่างๆ ของไปตัดเพชรชี้ไปทางเดียวกับลูกศรบนตัวเรือนของเครื่องมือ อย่าลืมนขันโบลต์หกเหลี่ยมให้แน่นโดยหมุนทวนเข็มนาฬิกา (ภาพที่ 5)

ที่จัดเก็บประแจหกเหลี่ยม (ภาพที่ 6)

เมื่อไม่ได้ใช้งาน ให้จัดเก็บประแจหกเหลี่ยมดังแสดงในภาพเพื่อป้องกันการสูญหาย

ตัวปรับระดับการไหลของน้ำ (อุปกรณ์เสริม)

(ภาพที่ 7)

ก่อนอื่น ให้ถอดปลั๊กเครื่องมือ คลายเกลียวโบลต์หางปลาบนแผ่นนำความลึก และเลื่อนฐานไปทางด้านล่าง ติดตั้งท่อ้านบนตัวเรือนของเครื่องมือและยึดโดยใช้สกรู ประกอบท่อไวนิลเข้ากับท่อน้ำและเสียบแอมป์เตอร์ที่อยู่บนท่อไวนิลที่ต่อเข้ากับหัวก๊อกน้ำหลัก สามารถปรับปริมาณการไหลของน้ำได้เพียงการปรับหัวก๊อกน้ำ

การทำงาน

⚠️ ข้อควรระวัง:

- ควรใช้งานเครื่องมือนี้บนพื้นผิวในแนวอนเท่านั้น
- ให้ตรวจสอบว่าได้เลื่อนเครื่องมือไปยังหน้าเบาๆ ในแนวเส้นตรง การฝืนและใช้แรงกดมากเกินไป หรือการปล่อยให้ไปตัดเพชรโค้งงอ มีบริด หรือบิดเบี้ยวจากการตัดอาจทำให้มอเตอร์ร้อนจัด และทำให้เกิดอันตรายจากการติดกลับของเครื่องมือด้วย

ถือเครื่องมืออย่างมั่นคง ตั้งแผ่นฐานบนชิ้นงานที่จะตัดโดยไม่ให้ไปตัดเพชรสัมผัสกับชิ้นงาน จากนั้นจึงเปิดเครื่องและรอจนกว่าไปตัดเพชรจะทำงานที่ความเร็วสูงสุด (ภาพที่ 8)

ในตอนนั้น ค่อยๆ เลื่อนเครื่องมือไปยังพื้นผิวของชิ้นงาน รักษาแนวระนาบ และเลื่อนไปข้างหน้าอย่างช้าๆ จนกว่าการตัดจะเสร็จสมบูรณ์ จัดแนวการตัดของคุณให้เป็นเส้นตรง และเคลื่อนเครื่องมือไปข้างหน้าด้วยความเร็วระดับเดียวกัน

การดูแลรักษา

⚠️ ข้อควรระวัง:

- ก่อนตรวจสอบหรือดูแลรักษาเครื่อง ต้องตรวจสอบให้แน่ใจว่าได้ปิดสวิทช์และถอดปลั๊กเครื่องออกแล้วทุกครั้ง
- อย่าใช้น้ำมันเชื้อเพลิง เบนซิน ทินเนอร์ แอลกอฮอล์ หรือวัสดุประเภทเดียวกัน เพราะอาจทำให้เครื่องมือเสียหาย ฝังรูปทรงหรือแตกหักได้

หลังจากการใช้งาน

เป่าฝุ่นผงที่อยู่ข้างในเครื่องมือออก โดยการเปิดเดินเครื่องเปล่าสักครู่หนึ่ง แปรงฝุ่นผงที่สะสมอยู่บนฐานออก ฝุ่นผงที่สะสมอยู่ในมอเตอร์หรือบนฐานอาจทำให้เครื่องมือทำงานผิดปกติ

การเปลี่ยนแปรงถ่าน

ถอดและตรวจสอบแปรงถ่านเป็นประจำ หากแปรงสึกสึกถึงไปถึงเครื่องหมายขีดจำกัด ให้เปลี่ยนแปรงใหม่ รักษาความสะอาดของแปรงถ่าน และตรวจสอบว่าสามารถใส่ลงในช่องใส่แปรงได้ ควรเปลี่ยนแปรงถ่านใหม่พร้อมกันเป็นคู่ ใช้แปรงถ่านลักษณะเหมือนกันเท่านั้น (ภาพที่ 9)

ใช้ไขควงถอดฝาปิดช่องใส่แปรงออก นำแปรงถ่านที่สึกหรอแล้วออกมา ใส่แปรงถ่านใหม่เข้าไป และปิดฝาปิดช่องใส่แปรงให้เข้าที่ (ภาพที่ 10)

เพื่อดูแลให้ผลิตภัณฑ์มีความปลอดภัยและไว้วางใจได้ ควรนำส่งผลิตภัณฑ์ให้แก่ศูนย์บริการที่ได้รับอนุญาตของ Makita ดำเนินการซ่อมแซม ดูแลรักษา หรือเปลี่ยนอะไหล่ และใช้อะไหล่แท้ของ Makita เท่านั้น

อุปกรณ์เสริม

⚠️ ข้อควรระวัง:

- ขอแนะนำให้ใช้อุปกรณ์เสริมหรือส่วนประกอบเหล่านี้กับเครื่องมือ Makita ของคุณตามที่ระบุในคู่มือนี้ การใช้อุปกรณ์เสริมหรือส่วนประกอบอื่นอาจทำให้ผู้ใช้ได้รับบาดเจ็บ ใช้อุปกรณ์เสริมหรือส่วนประกอบตามที่ระบุไว้เท่านั้น

หากคุณต้องการทราบรายละเอียดเพิ่มเติมเกี่ยวกับอุปกรณ์เสริมดังกล่าว โปรดสอบถามศูนย์บริการของ Makita ในพื้นที่ของคุณ

- โบตัดเพชร (ชนิดแห้ง)
- โบตัดเพชร (ชนิดเปียก)
- ประแจเบอร์ 22
- ประแจหกเหลี่ยม

หมายเหตุ:

- อุปกรณ์เสริมบางรายการอาจเป็นอุปกรณ์เสริมมาตรฐานที่รวมอยู่ในชุดเครื่องมือแล้ว ทั้งนี้ อาจมีความแตกต่างกันในแต่ละประเทศ

Makita Corporation

3-11-8, Sumiyoshi-cho,
Anjo, Aichi 446-8502 Japan