

49 TAS Series Dirty Water Pump



TAS DIRTY WATER PUMP

- Liquid temperature : 0~40°C / 32~104°F
- HP range : 1/3~1HP / 250~750W
- PH : 6~8
- Rated Speed : 2900 / 3450 rpm
- Protection class : IP68
- Maximum depth : 8M



Features

- 1 · Non-Clogging Vortex Impeller
- 2 · Multi-Purpose Dirty Water Pump
- 3 · Drain Water to the Lowest Level

Applications

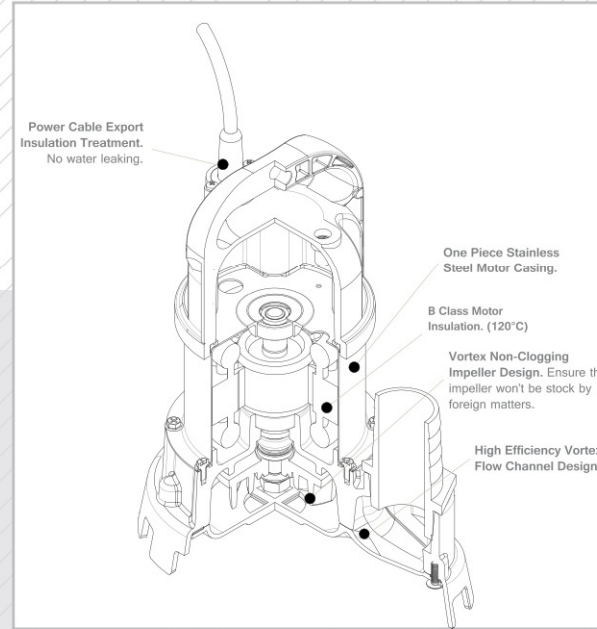
- 1 · Discharge Water
- 2 · Water System
- 3 · Drains Flood
- 4 · Transfer Gray Water

Specification

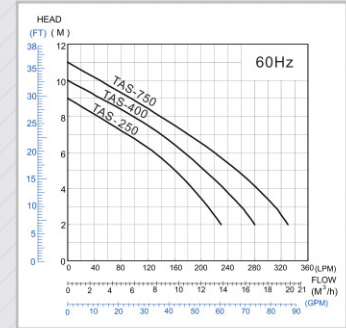
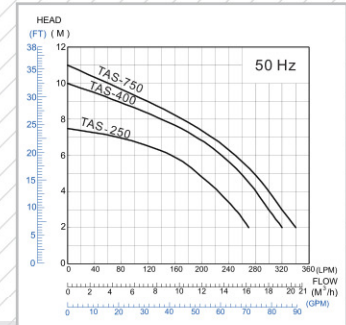
Model No.	Output		Outlet		Pass Solid (mm)	Max Flow(LPM)	LPM Flow @ Head					Max Head(M)	Dimension		Weight Kg
	HP	W	mm	inch			3M	4.5M	6M	7.5M	9M		L x W x H(mm)		
TAS-250	1/3	250	40	1.5"	14	270	250	210	155	-	-	7.5	225 x 145 x 282	8	
TAS-400	1/2	400	50	2"	14	320	300	270	230	170	75	10	250 x 162 x 300	9	
TAS-750	1	750	50	2"	14	340	320	290	250	195	120	11	250 x 162 x 325	10	

Model No.	Output		Outlet		Pass Solid (mm)	Max Flow(LPM)	LPM Flow @ Head					Max Head(M)	Dimension		Weight Kg
	HP	W	mm	inch			3M	4.5M	6M	7.5M	9M		L x W x H(mm)		
TAS-250	1/3	250	40	1.5"	14	270	250	210	155	-	-	7.5	225 x 145 x 282	8	
TAS-400	1/2	400	50	2"	14	320	300	270	230	170	75	10	250 x 162 x 300	9	
TAS-750	1	750	50	2"	14	340	320	290	250	195	120	11	250 x 162 x 325	10	

Sectional View



Curve



Standard Accessories

Model No.	Accessories
TAS-250	Hose connection
TAS-400	Hose connection
TAS-750	Hose connection



Dimension

Model	Dimension						
	L	W	H	H1	H2	H3	G
TAS-150	225	163	282	164	85	83	1 ½
TAS-250	225	163	282	164	85	83	1 ½
TAS-400	250	178	323	168	84	84	2
TAS-750	250	178	353	186	78	84	2

