

# 27 KS Series Dirty Water Pumps



## KS DIRTY WATER PUMPS



- Liquid temperature : 0~40°C / 32~104°F
- HP range : 1~10HP / 0.75~7.5KW
- PH : 6~8
- Rated Speed : 2900 / 3450 rpm
- Protection class : IP68
- Maximum depth : 8M

### Features

1. Double mechanical seal design.
2. Rubber bearing cover prevents water leak in and extend the lifetime.

### Applications

1. Industrial sewage discharge
2. Basement sewage discharge

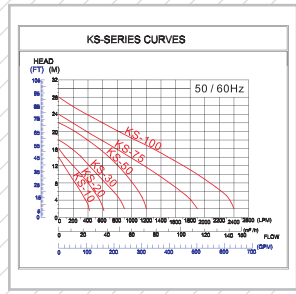
### Specification

Model No.	Output		Outlet		Pass Solid Dia(mm)	Max Flow(LPM)	LPM Flow @ Head					Max Head(M)	Dimension L x W x H(mm)	Weight Kg
	HP	W	mm	inch			3M	6M	9M	12M	15M			
KS-10	1	750	50	2"	6	420	400	300	190	70	-	14	290 x 180 x 425	21
KS-20	2	1500	80	3"	9	620	590	490	360	200	40	16	278 x 182 x 475	31

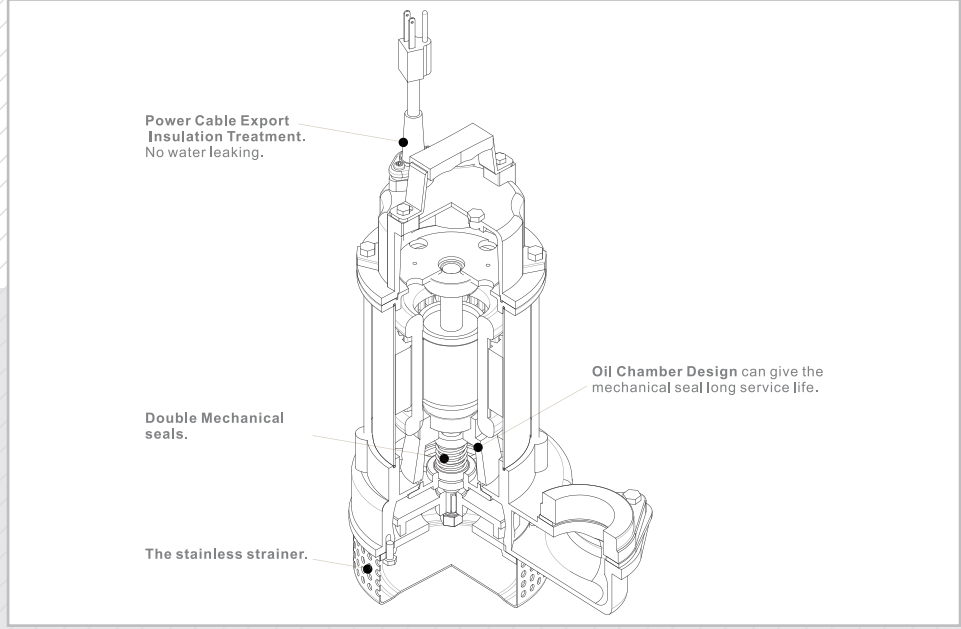
  

Model No.	Output		Outlet		Pass Solid Dia(mm)	Max Flow(LPM)	LPM Flow @ Head					Max Head(M)	Dimension L x W x H(mm)	Weight Kg
	HP	KW	mm	inch			5M	10M	15M	20M	25M			
KS-30	3	2.2	80	3"	11	900	800	530	250	-	-	18	390 x 250 x 450	42
KS-50	5	3.7	100	4"	11	1200	1130	920	630	220	-	22	450 x 240 x 530	48
KS-75	7.5	5.5	100	4"	11	1900	1750	1350	880	380	-	24	550 x 310 x 590	60
KS-100	10	7.5	150	6"	11	2400	2300	1900	1400	820	280	28	550 x 310 x 610	70

### Curve



### Sectional View



### Standard Accessories

Model No.	Accessories	Pedestal Type
KS-10	Flange, Hose connection	TOS-SG
KS-20	Flange, Hose connection	TOS-SG
KS-30	Elbow, Flange	TOS-L4
KS-50	Elbow, Flange	TOS-L4
KS-75	Elbow, Flange	TOS-L4
KS-100	Elbow, Flange	TOS-X6



### Dimension

Model	Dimensiona										
	L	L1	L2	W	H	H1	H2	H3	H4	PCD	G
KS-10	375	245	103	205	510	415	115	175	205	117	2
KS-20	375	245	103	205	530	435	115	175	205	117	3
KS-30	465	275	183	255	535	440	115	230	260	155	3
KS-50	465	275	183	255	565	470	115	230	260	155	3
KS-75	570	320	215	330	700	545	180	272	307	180	4
KS-100	570	320	215	330	720	570	180	272	307	180	4

