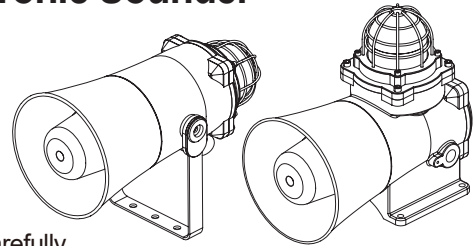


Explosion proof LED Signal Beacon and Electronic Sounder

QNVS(-H)/ QNHS(-H)



Thank you for purchasing Qlight's products. Please read this user manual carefully prior to installation and operation to ensure safe and correct use.

⚠ Safety Precautions for Explosion Proof Products

Please follow the instruction below to ensure safe and correct use of explosion proof products.

1. Explosion proof products should be managed according to explosion proof regulations. Do not disassemble, assemble, alter or repair the product arbitrarily.
2. The temperature rating of the product is the temperature the product will experience at the applied rated voltage and ambient temperature indicated.
3. Use cable glands that satisfy the product's explosion proof grade and temperature grade.
4. Unused cable entries must be filled with material that meets the explosion proof grade and temperature rating.
5. Before installing the product, please make sure all cautions indicated on the labels, packaging, and operation manual of the product are fully understood.
6. Installation, maintenance and repair of the product must be performed by experts in the explosion proof field, or persons who have received relevant training.
7. For safety, the product should be installed and operated in environments that avoid high temperature and high pressure.
8. Please follow general safety precautions and avoid installing the product in locations that may generate excessive heat.
9. When installing the product in places where chemicals are located, please make sure that the environment does not have two or more incompatible chemicals mixed. For safety, please read the instruction manual carefully and be mindful of the chemical compositions where the product is used.
10. This product requires grounding.
11. Please note that special conditions shall be applied if the sign "X" is placed after the certificate number.
 - 1) For safe use, regular overpressure test must be carried out in accordance with EN 60079-1, clause 15.2.3.
 - 2) For safe use, tempered glass must be protected from strong impact
12. When using NPT cable glands (plugs), it is recommended to use them after applying non-hardening grease to maintain protective performance.

⚠ Precaution for Safety

Failure to follow the instructions below may cause a loss of life or serious physical injury.

1. During wiring or maintenance, please completely turn off the power of the product. (Failure to follow this may lead to an electric shock.)
2. Do not install the product in locations that subjects it to excessive dust or water other than the conditions designated by the IP protection ratings indicated for each product. (Failure to follow these instructions may cause a fire to the product, electric shock, physical injury, malfunction or damage to the product.)
3. Do not alter or repair this product. If maintenance or repair service is required, please contact your local Qlight contact point. (Failure to follow these instructions may lead to fire, electric shock, or product damage.)
4. Please apply the correct voltage to the product. (Failure to follow these instructions may lead to fire, electric shock, or product damage.)
5. When the product is applied to a condition that may impact lives or property, please make sure to have a double safety device. (Failure to follow this may cause damage to property, fire, electric shock and loss of life.)

⚠ Precautions for Correct Use

Failure to follow the proper instructions may cause damage to property, the product, or malfunction of the product that would void the warranty.

1. Please remove any objects that can interrupt ventilation around the product.
2. Please turn off the power of the product immediately if it fails to operate properly.
3. Carefully wire the product according to each product's specification.
4. Please be careful in preventing chemicals such as thinner, benzene, etc. in contact with the surface of the product.
5. Do not apply excessive force/impact to the product.
6. Failure to follow any of the instructions above may cause malfunction or damage to the product, fire, and electric shock.



Please scan the QR code for more detailed product information.

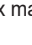

www.qlight.com

Ordering Specifications





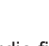
QNHS	-	WM	-	12/24	-	R	-	LC
[Model number]		[Sound]		[Voltage]		[Color]		[sound selection]
<ul style="list-style-type: none"> • QNVS • QNVS-H • QNHS • QNHS-H 		<ul style="list-style-type: none"> • WS-Warning sounds • WP-Special warning sounds • WM-Melodies • WA-Alarms • WV-Customizable sounds 		<ul style="list-style-type: none"> • 12/24-DC12V-24V • 110/230-AC110V-230V 		<ul style="list-style-type: none"> R-Red G-Green A-Amber B-Blue 		<ul style="list-style-type: none"> • None-Standard type • LC Type-Uses external contact

Product Specifications

Explosion Proof Specifications

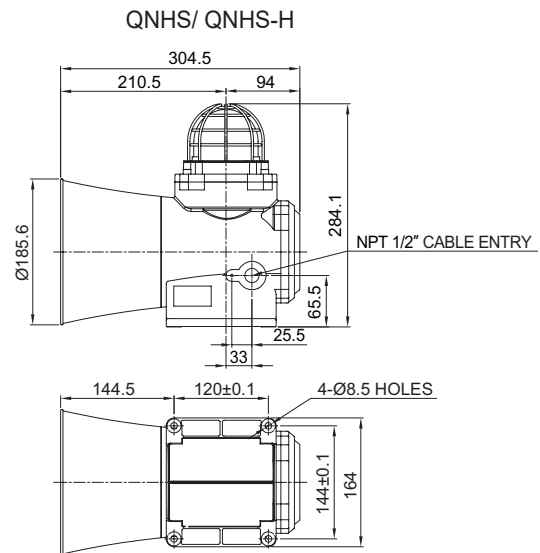
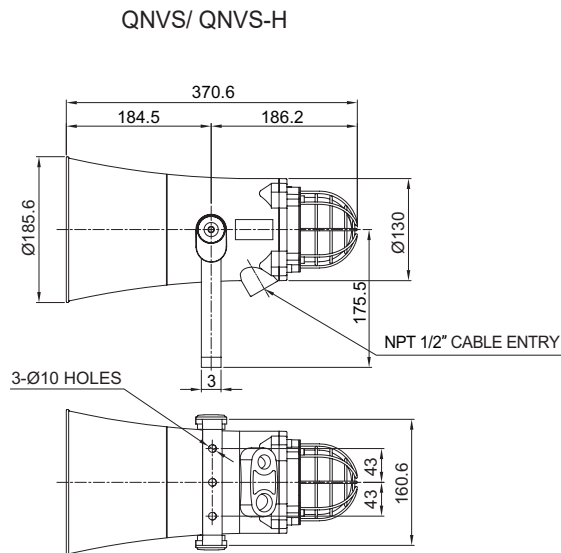
Model number	QNVS	Zone definitions(Gas)	Zone 1	High risk gas/vapour(Gas)	
	QNVS-H		Zone 2	Medium risk gas/vapour(Gas)	
	QNHS		GROUP II A	Acetone, Petrol, Methanol, Propane, Toluene	
	QNHS-H		GROUP II B	Ethylene, City gas	
Range of operating voltage	DC12V-24V AC110V-230V	Group definitions(Gas)	GROUP II C	Hydrogen, Acetylene, Carbon sulphide	
			Maximum surface temperature of electrical equipment	T1	450°C
			T2	300°C	
Ex mark	IECEX - Ex db IIC T6 Gb, IP66 Ex db IIC T5 Gb, IP66 ATEX -  II 2G Ex db IIC T6 Gb, IP66  II 2G Ex db IIC T5 Gb, IP66 KCs - Ex db IIC T6, IP66 NEPSI, CCC - Ex db IIC T6 Gb, IP66	Zone definitions(Dust)	T3	200°C	
			T4	135°C	
			T5	100°C	
Ambient operating temperature	-40°C ≤ Tamb ≤ +70°C (T5) -40°C ≤ Tamb ≤ +55°C (T6)	Group definitions(Dust)	T6	85°C	
			Zone 21	High risk powder/dust(Dust)	
Explosion proof Zone	Zone1, Zone2, Zone21, Zone22	Group definitions(Dust)	Zone 22	Medium risk powder/dust(Dust)	
			GROUP II A	Ignitable fibers/flyings(more than 0.5mm)	
Protection rating	IP66	Group definitions(Dust)	GROUP II B	Non-conductive dusts	
			GROUP II C	Conductive dusts	

General Product Specifications

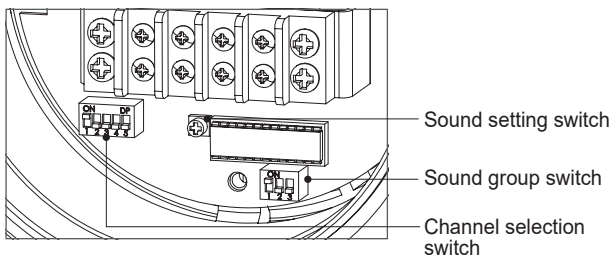
Model number	Voltage	Current	Sound pattern and volume	Certificates	Weight	Color
QNVS QNHS	DC12V-24V	Max.1.4A	<ul style="list-style-type: none"> • WS-5 Warning sounds : Max.118dB • WP-5 Special warning sounds : Max.118dB • WM-5 Melodies : Max.118dB • WA-5 Alarms : Max.116dB • WV-5 Customizable voices : 110-115dB 	    	7.50Kg	R-Red G-Green A-Amber B-Blue
	AC110-230V	Max.390mA			7.65Kg	
QNVS-H QNHS-H	DC12V-24V	Max.3.4A	<ul style="list-style-type: none"> • WS-5 Warning sounds : Max.123dB • WP-5 Special warning sounds : Max.123dB • WM-5 Melodies : Max.123dB • WA-5 Alarms : Max.121dB • WV-5 Customizable voices : 115-120dB 		7.50Kg	
	AC110-230V	Max.560mA			7.65Kg	

※ Max.built-in volume feature is based on WS, WP-Ch1 / WM-Ch5 / WA-Ch5.

※ In case of customized WV 5 tone type, there may be difference of volume depending on user's audio file type.



Sound Setting - Select using the switch inside of the unit.



- Standard unit has 5 built-in sound tones. Select different built-in sounds using the sound setting switch.
- For standard type, once the unit is powered on, light and sound are working simultaneously.
- For tone group settings, refer to the website [Customer Support] - [Technical Data] - [Types of Tone and Combination of General Tone products].

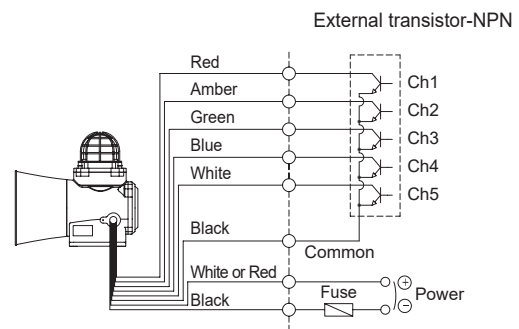
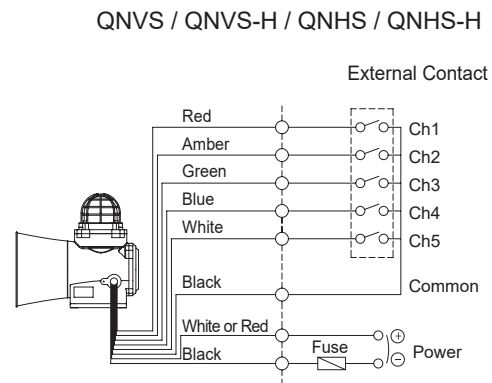
■ Sound Type by Group

Category	Sound pattern	Channel	Sound Tone	volume(Max.)
WS	5 Warning sounds	Ch1	Fire.A-ANG	Max. 118dB
		Ch2	Emergency WA-U	
		Ch3	Ambulance PI-PO	
		Ch4	Machinery Fault	
		Ch5	High Expansion	
WP	5 Special Warning sounds	Ch1	Fire.A-ANG	Max. 118dB
		Ch2	Abandon Alarm	
		Ch3	Machinery Fault	
		Ch4	High Expansion	
		Ch5	7 Short PI. / 1 Long	
WM	5 Melodies	Ch1	Sweet Home	Max. 118dB
		Ch2	For Elise	
		Ch3	Cuckoo's Waltz	
		Ch4	Piano Sonata	
		Ch5	Turkish March	
WA	5 Alarms	Ch1	Beep Intermittent	Max. 116dB
		Ch2	Door Chime	
		Ch3	Phone Ring	
		Ch4	PI.PI.PI Short	
		Ch5	Tripping Beat	
WV	5 Customizable sounds	Ch1- Ch5	Available upon request(customized voice type)	110-115dB

※ In case of customized WV 5 tone type, there may be difference of volume depending on user's audio file type.

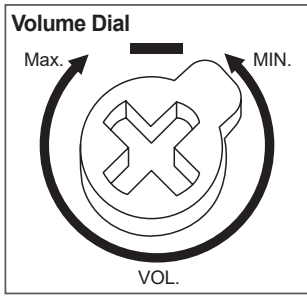
Sound Setting - Select using External contact(LC).

- Customized wiring available to select the sound tone via external contact or transistor wiring type (Model number : -LC)



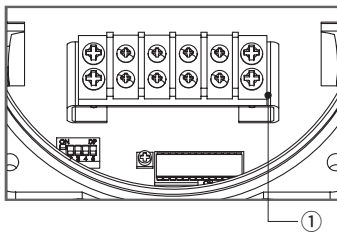
- External power line - UL1015 AWG18(0.75sq) x 2C 400mm
- External signal line - UL1007 AWG22(0.3sq) 400mm

Volume Adjustment



- The volume output of this product is adjustable.
- Turn the volume dial clockwise to increase the volume, and turn counter clockwise to decrease the volume.
- There will be no sound when the dial is put at MIN.

Terminal Box Wiring Instructions

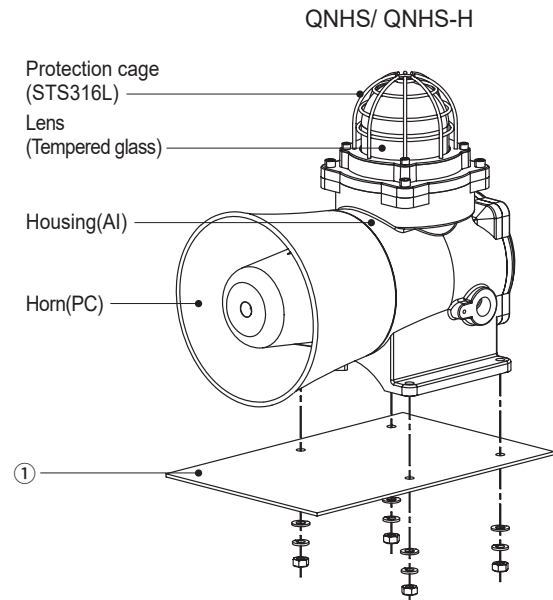
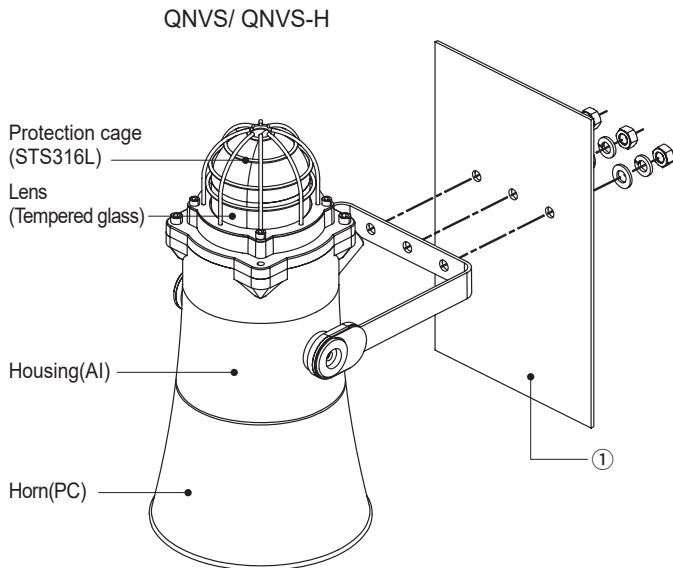


- Terminal block is located inside of the product. Unscrew the 4 bolts located in the upper body to get rid of the upper lighting element of the unit.
- Please apply fork (U-type) or ring (O-type) locking spade terminal at naked tip of the wire for secure connection.
- Please wire the Power line to terminal ①.
- For AC type products, wire regardless of polarity.
- For DC type products, wire terminal of black line to (-) polarity.
- For standard type, once the unit is Powered on, light and sound are working simultaneously.

※ Applicable cable range : AWG16-AWG22

Parts Definition/ Installation

■ Parts Definition

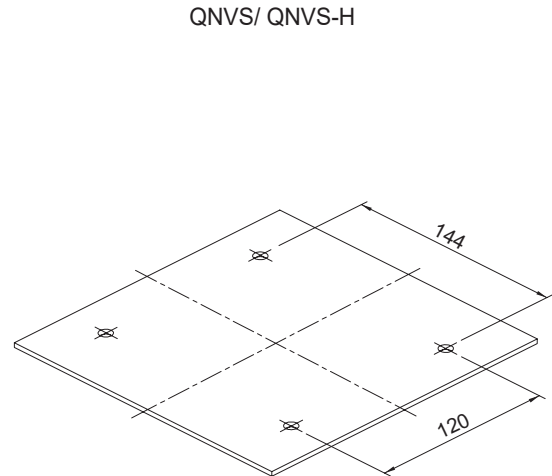
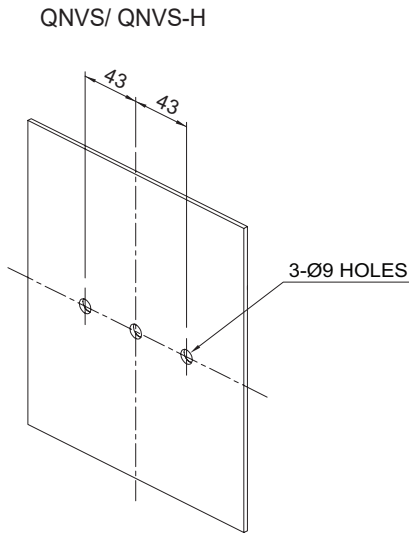


■ Installation

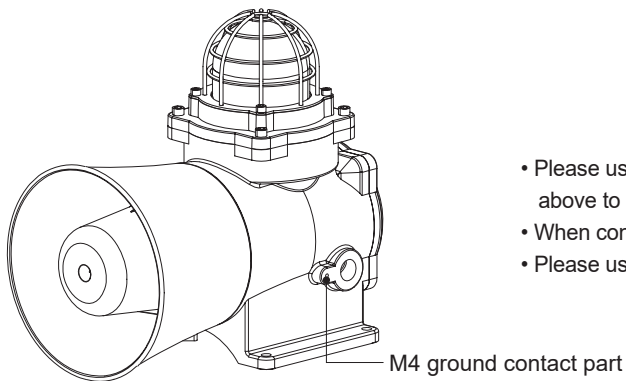
- First, machine holes on the mounting surface ①.
- The mounting hole of this product is 8mm in diameter.
- When machining taps, fasten the bolt through the mounting hole of the bracket.
- When machining holes, insert the bolt through the hole of the product, and tighten the nut from the opposite side of the mounting surface.

Mounting Hole Specifications

- Machine holes on the mounting surface referring to the diagram below.



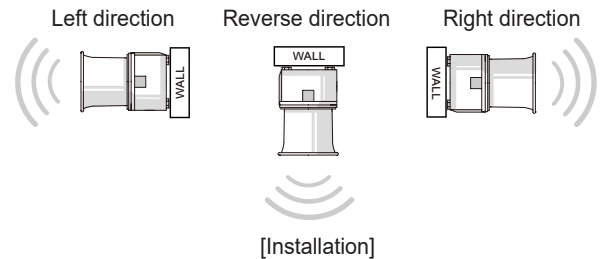
Grounding Instructions



- Please use an M4 bolt at the location marked in the diagram above to ground the product.
- When connecting the grounding cable, please use a ring terminal.
- Please use a grounding cable with a diameter greater than 4mm.

Precautions for installation

- In case of outdoor applications, install the product in the upright position. Do not install the product horizontal or upside-down positions where water can potentially penetrate into the product and impact its operation.



Installation Environment and Protection Rating

- This product is designed to be explosion proof.
- Please make sure to use the product in an environment that meets the specified explosion proof rating and regulations.
- For further information, please visit our website (www.qlight.com).

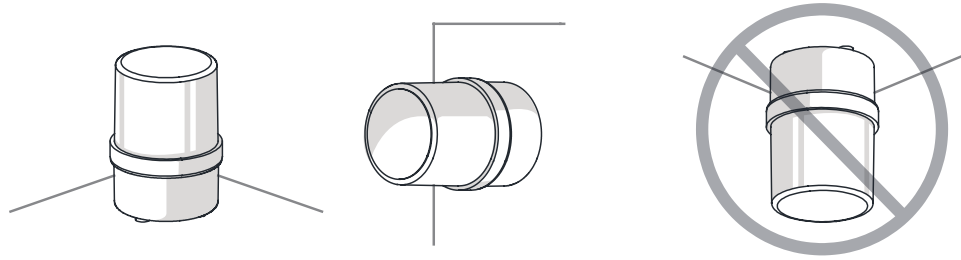
Product installation direction

- Install the product in accordance with the manual. Otherwise rainwater or moisture may penetrate into the product.

· BEACON/SIGNALING LIGHT

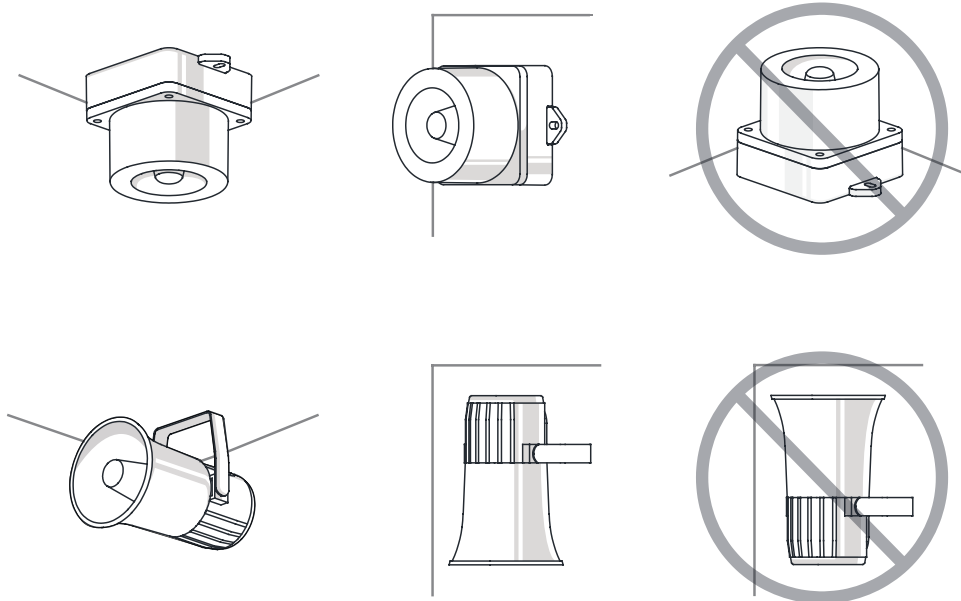
※ For products with a protection rating of less than IPX4, please install it vertically.

Power cord inlet part shall not be facing the sky.



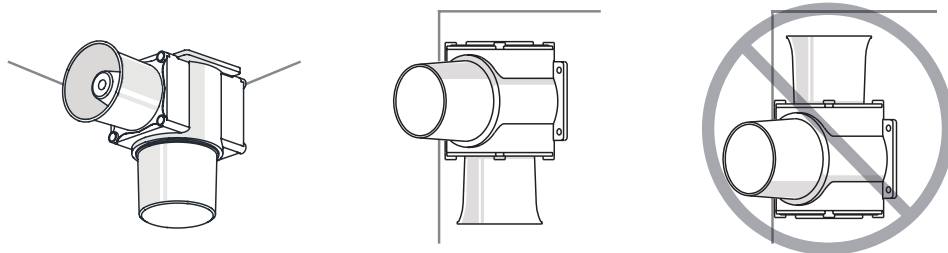
· ELECTRONIC SOUNDER/SIGNAL HORN

Sounder part shall not be facing the sky.



· HEAVY-DUTY & EXPLOSION PROOF SIGNALINGS

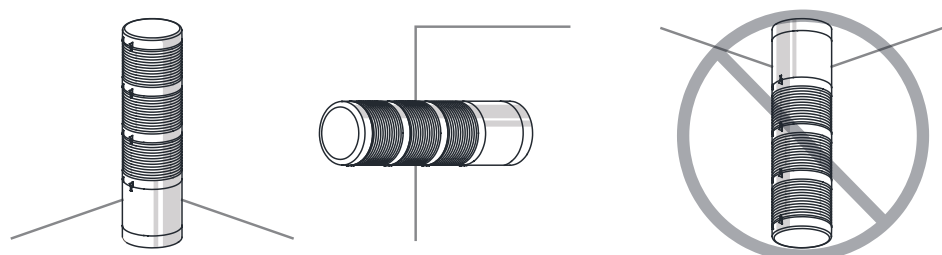
Sounder part shall not be facing the sky.

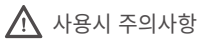


· SIGNAL TOWER LIGHTS

※ For products with a protection rating of less than IPX4, please install it vertically.

Power cord inlet part shall not be facing the sky.





사용시 주의사항

본 사용설명서에 수록된 제품 규격 및 사양은 품질 개선업무 진행에 따라 변경될 수 있습니다.
최신 제품 정보는 홈페이지(www.qlight.com)를 통해 가장 정확하게 확인할 수 있습니다.

한국법인 (주)큐라이트 Qlight Co., Ltd. www.qlight.com | qlightkr@qlight.com

본사 | 서울특별시 금천구 가산디지털1로 128 에스티엑스비이타워 1510호 Tel 02 . 2679 . 6152 (수신자부담 080 . 328 . 2222) Fax 02 . 2679 . 6154

공장(김해생산본부) | 경상남도 김해시 상동면 목방로 185-25 Tel 055 . 328 . 1111 (수신자부담 080 . 328 . 1111) Fax 055 . 328 . 4064

해외영업부 | 부산광역시 사상구 낙동대로 704 (엄궁동, 큐라이트빌딩) Tel 051 . 620 . 4100 Fax 051 . 243 . 9826

부산 비즈니스센터 | 부산광역시 사상구 낙동대로 704 (엄궁동, 큐라이트빌딩) Tel 051 . 245 . 0017 Fax 051 . 243 . 9826

중국법인 SHANGHAI Qlight Electronics Co., Ltd. www.qlight.com | www.qlightcn.com | qlightcn@qlight.com

상해 판매법인 | Room 333 Building B, #11, Lane 450, Zhenda Road, Baoshan District, Shanghai, China Tel+86 . 21 . 6651 . 7100 Fax+86 . 21 . 6315 . 3929

치동 제조법인 | #33, Haiyan Road, Qidong High-tech Industrial Development Zone, Qidong, Jiangsu Province, China

Tel+86 . 513 . 8384 . 9999 Fax+86 . 513 . 8384 . 9910

Qlightec

Innovation in Alarm & Signal

사용 불편 및 고장 접수 080-328-1111/ 080-328-2222

문의 시, 제품 모델명, 고장상태, 전화번호, 주소를 정확히 알고 있으면 보다 빠른 서비스를 받을 수 있습니다.

※치수 및 사양, 형상은 품질 향상으로 인하여 예고없이 변경될 수 있습니다.

www.qlight.com

KO - QNHS - 2503A