

# OFL-2-SM2



Action	Momentary
Electrical Ratings	6A-250V AC
Built-in switch	Micro switch type Z
Circuitry	2c
Supplied Cable	VCTF1.25X6CX1.5M
Operating Force	31N
Degree of Protection	IP54
Housing material	Aluminum die cast
Color	Green Hammerton
Weight	1200g
Applicable protection cover	SM2C cover SM2K cover SM2KS cover
Country of origin	Japan

SM2 series is rain proof Industrial Foot Switch which is excellent in credibility and durability with dust proof, drip-proof, and oil-resistant construction.

DPDT

Without protection cover

As option in SM2 series, each protection cover and S4 safety lock lever are available to prevent for malfunction.

■ Description of protection cover and S4 safety lock lever

- SM2C:Protection cover
- SM2K:Shield cover
- SM2KS:Shield cover and safety lid
- SM2CS4:Protection cover and S4 safety lock lever
- SM2KS4:Shield cover and S4 safety lock lever
- SM2KSS4:Shield cover, safety lid, and S4 safety lock lever

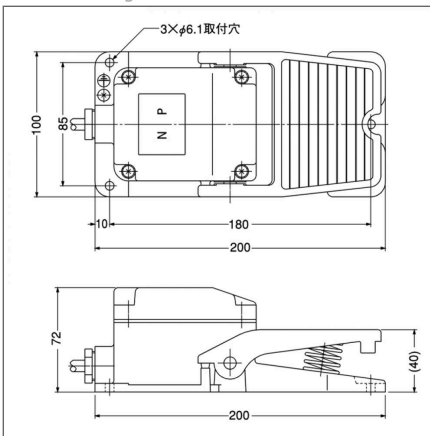
【Applications】

Metal Forming & Metal Machine tool such as Lather, Bending, Welding, Blast, NC Lathe, Crimping Machine etc.

## Foot Switch

- GS Series
- OFL Series
- S3 Series
- M3 Series
- M4 Series
- S5 Series
- S6 Series
- S7 Series
- SP Series
- H Series
- P Series
- Pneumatic Valve type
- SM2 Series
- 3position  
2NY-SM2
- SM2 TUV Series
- SM2 S4 TUV
- FS Series
- Option

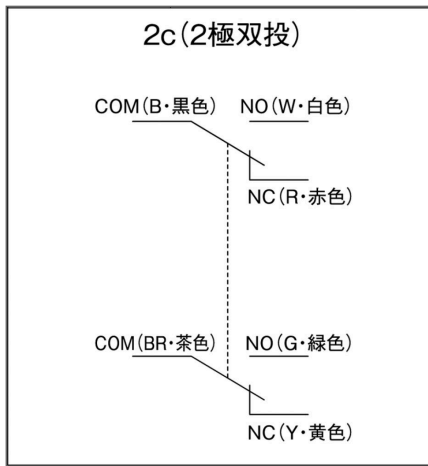
Drawings



Circuit diagram

## Tape & Mat Switch Series





[↑ Top of Page](#)

**Foot Switch Series**

- OFL standard Series
- M4 Series
- M6 Series
- H Series
- SM2 Series
- SM2 S4 TUV Series
- GS Series
- S3 Series
- S5 Series
- S7 Series
- P Series
- 2NY-SM2 Series
- FS Series
- Option
- M3 Series
- S6 Series
- SP Series
- Pneumatic Valve type
- SM2 TUV Series
- FS2 Series

**Tape & Mat Switch Series**

- Tape Switches
- Sensing Edges
- Mat Switches (Standard type)
- Custom Mat Switches
- Original TP Mat Switch
- Under-Rug Switching Runner
- Touch Pads
- Bumper Switches
- Fail-safe controller

**About Us**

- Company Profile
- Certification
- Environmental Policy
- Privacy Policy

**Other**

- Product
- Applications
- Download
- Distributor
- Site Map
- JAPAN Site
- Contact Us

General Manufacturer of Foot Switches  
Osaka Jido Denki Co., Ltd.

