

# HSN

Heat sink

- Manufacturing SSR accuracy TAP
- Various specs of standard radiator
- Acid prevention by exterior handling

## ■ Suffix code

### ■ HSN (80,120)

Model	Applicable Model	Capacity(A)	Length(L)
HSN 80	HSR-2□50□□	50(A)	80 mm
HSN 120	HSR-2□70□□	70(A)	120 mm

- The above contents are subject to change without prior notice for performance improvement.

### ■ HSN (80,120)-F

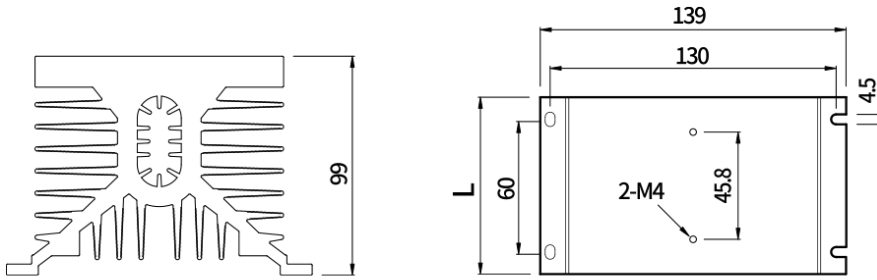
Model	Applicable Model	Capacity(A)	FAN
HSN 80-F	HSR-3□50□□	50(A)	92 x 92 x 25T
HSN 120-F	HSR-3□70□□	70(A)	92 x 92 x 25T

- Install the FAN with the arrow facing the heat sink as shown.
- The above contents are subject to change without prior notice for performance improvement.

## ■ Dimension

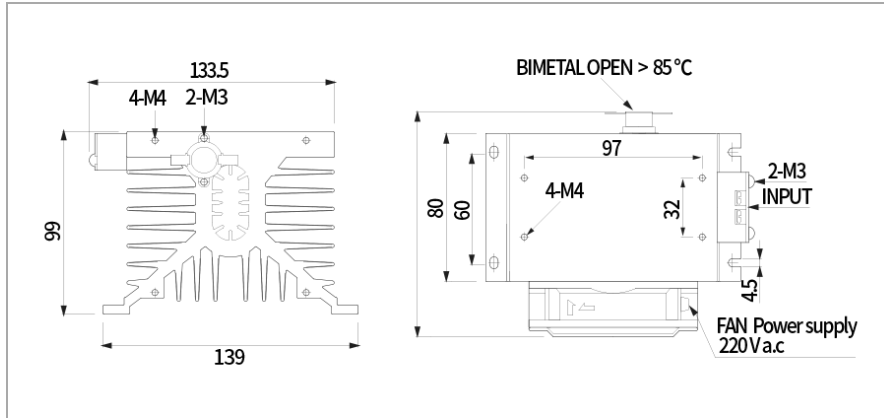
### ■ HSN (80,120)

[Unit : mm]



Model	Applicable Model	Length(L)
HSN-80	HSR-2□50□□	80 mm
HSN-120	HSR-2□70□□	120 mm

■ HSN 80-F



■ HSN 120-F

