

# 25 KHL Series Hi-head Dirty Water Pumps



# KHL

## HI-HEAD DIRTY WATER PUMPS

- Liquid temperature : 0~40°C / 32~104°F
- HP range : 2~10HP / 1.5~7.5KW
- PH : 6~8
- Rated Speed : 2900 / 3450 rpm
- Protection class : IP68
- Maximum depth : 8M

### Features

1. High head high pass solid :semi-open impeller design enhance the pass solid.
2. Elbow shaped pump casing design.
3. Power cable export insulation treatment : increase waterproof and convenient to replace.

### Applications

1. Basement sewage discharge
2. Irrigation for Orchards
3. Irrigation for mountain slopes
4. Deep well water transport
5. High-lift water transport



KHL-75/100



KHL-20/30/50



### Specification

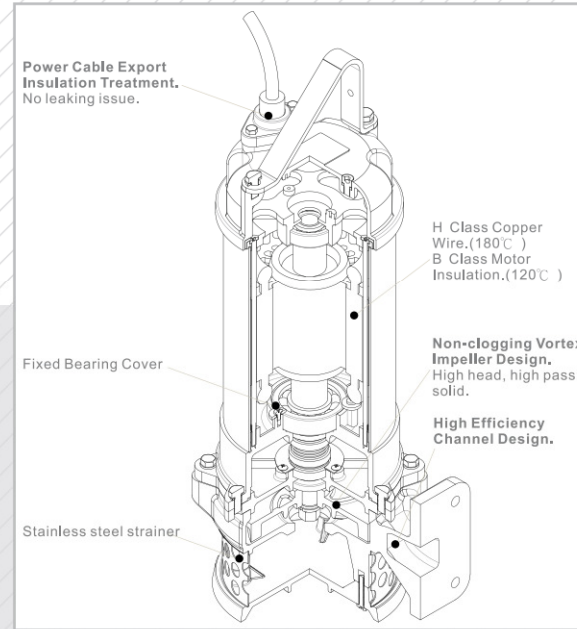
#### 60Hz

Model No.	Output HP KW	Outlet mm inch	Pass solid (mm)	MaxFlow (LPM)	LPM Flow @ Head					Max Head (M)	Weight (Kg)
					10M	15M	20M	25M	30M		
KHL-20	2 1.5	50 2"	12	415	400	370	260	-	-	25	35
KHL-30	3 2.2	50 2"	12	620	570	490	365	160	-	28	45
KHL-50	5 3.7	50 2"	15	760	740	680	575	380	-	30	50
KHL-75	7.5 5.5	80 3"	15	1380	1290	1200	1050	720	130	31	96
KHL-100	10 7.5	100 4"	15	1680	1610	1540	1450	1300	950	38	104

#### 50Hz

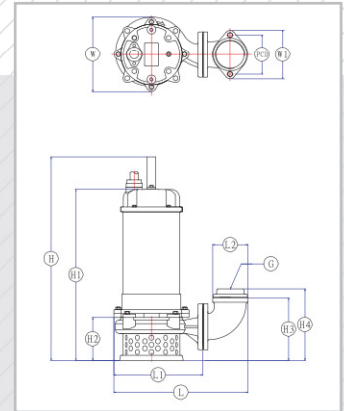
Model No.	Output HP KW	Outlet mm inch	Pass solid (mm)	MaxFlow (LPM)	LPM Flow @ Head					Max Head (M)	Weight (Kg)
					10M	15M	20M	25M	30M		
KHL-20	2 1.5	50 2"	12	415	400	370	260	-	-	25	35
KHL-30	3 2.2	50 2"	12	620	600	540	430	215	-	28	45
KHL-50	5 3.7	50 2"	15	770	750	710	620	470	220	32	50
KHL-75	7.5 5.5	80 3"	15	1450	1340	1230	1100	910	580	33	96
KHL-100	10 7.5	100 4"	15	1700	1580	1450	1300	1100	790	35	104

### Sectional View



### Dimension

Model	Dimension											
	L	L1	L2	W	W1	H	H1	H2	H3	H4	PCD	G
	mm	mm	mm	mm	mm	mm	mm	mm	mm	mm	mm	inch
KHL-20-1	375	244	80	208	106	590	508	117	162	190	83	2
KHL-20-3	375	244	80	208	106	570	488	117	162	190	83	2
KHL-30	393	260	103	222	145	595	500	126	183	210	117	2
KHL-50	393	260	103	222	145	595	500	126	183	210	117	3
KHL-75	482	297	183	255	183	710	611	181	256	285	155	3
KHL-100	482	297	183	255	183	756	656	181	256	285	155	3



### Standard Accessories

#### 50Hz

Model No.	Accessories	Pedestal Type
KHL-20	Elbow/Flange	TOS-S2
KHL-30	Elbow/Flange	TOS-S2
KHL-50	Elbow/Flange	TOS-S2
KHL-75	Elbow/Flange	TOS-L3
KHL-100	Elbow/Flange	TOS-L4

#### 60Hz

Model No.	Accessories	Pedestal Type
KHL-20	Elbow, Flange	TOS-S2
KHL-30	Elbow, Flange	TOS-S2
KHL-50	Elbow, Flange	TOS-S2
KHL-75	Elbow, Flange	TOS-L3
KHL-100	Elbow, Flange	TOS-L4



### Curve

