

# 23 HI-200 / 400 Series Home Booster Pumps

# HI-200/400 HOME BOOSTER PUMPS

- Liquid temperature : 0~40°C / 32~104°F
- HP range : 1/4~1/2HP / 200~400W
- PH : 6~8
- Rated Speed : 2900 / 3450 rpm
- Protection class : IP55
- Maximum suction : 8M

### Features

- 1 · Silence & ECO friendly
- 2 · Aqua intelligent program (AIP)
- 3 · Easy installation
- 4 · Easy to clean

### Applications

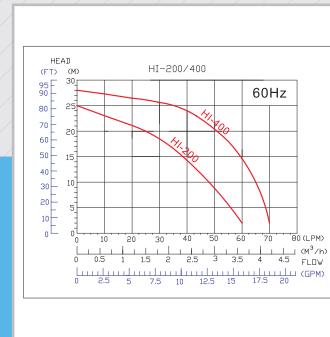
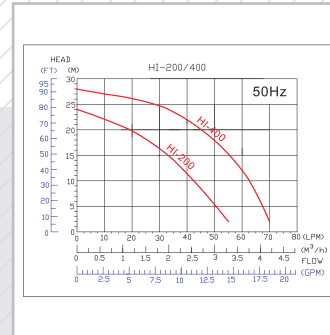
- 1 · Rooftop water booster
- 2 · Water pipe booster control
- 3 · Gardening water system
- 4 · Water booster control
- 5 · Water pipe recirculation system
- 6 · Filtration system



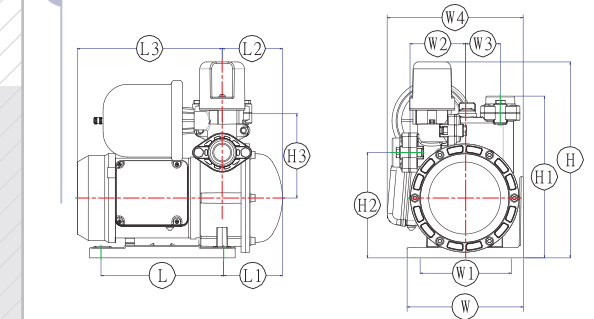
### Dimension

Model	Dimension																	
	L	L1	L2	L3	L4	L5	W	W1	W2	W3	W4	W5	H	H1	H2	H3	H4	H5
HI-200	175	84	86	206	207	157	166	130	80	50	194	189	280	230	150	120	376	66
HI-400	175	84	86	226	207	157	166	130	80	50	194	189	280	230	150	120	376	66

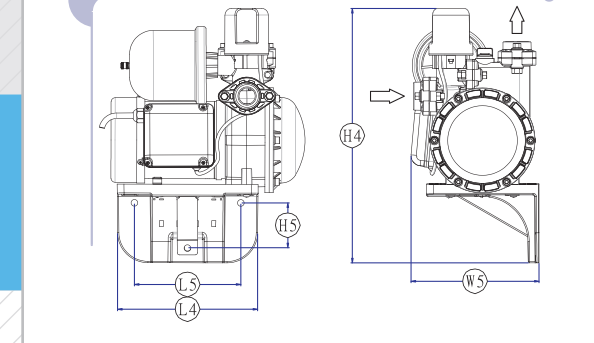
### Curve



### Ground Installation



### Wall Mount Installation



### Specification

Model No.	Output		Outlet		Max Flow (LPM)	LPM Flow @ Head					Max Head (M)	Recommended Floor	Weight (Kg)
	HP	W	mm	inch		5M	10M	15M	20M	25M			
HI-200(60Hz)	1/4	200	20	3/4"	60	55	48	38	25	-	25	Up to 3rd floor	10
HI-200(50Hz)	1/4	200	20	3/4"	55	50	42	33	20	-	24	Up to 3rd floor	10
HI-400(60Hz)	1/2	400	25	1"	70	68	65	60	50	35	28	Up to 4th floor	12
HI-400(50Hz)	1/2	400	25	1"	70	67	62	55	45	30	28	Up to 4th floor	12

### Standard Accessories

Model	Accessories
HI-200(60Hz)	Flange, Packing for strainer, Packing
HI-200(50Hz)	Flange, Packing for strainer, Packing
HI-400(60Hz)	Flange, Packing for strainer, Packing
HI-400(50Hz)	Flange, Packing for strainer, Packing

