



Multistage drainage pumps for clean water made of technopolymer material used for pumping liquid from wells, tanks and reservoirs, pressurization of domestic systems, irrigation of gardens and vegetable gardens. The single-phase version includes a built-in capacitor, a thermal protector and it can be equipped with a float switch. Suitable to be installed with the Hidrotank flow controller.



### Construction features

**Pump body** technopolymer



**Impeller, diffusers** Noryl®

**Shell, motor cover, base support** Noryl®

**Mechanical seal** double seal with oil barrier: silicon carbide on pump side, sealing ring on motor side

**Motor shaft** stainless steel AISI 303

**Max submergence** 5 m

**Liquid temperature** 0 - 35 °C

**Cable** H07 RN8F, 10 m

**G** float switch

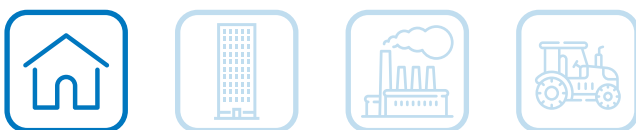
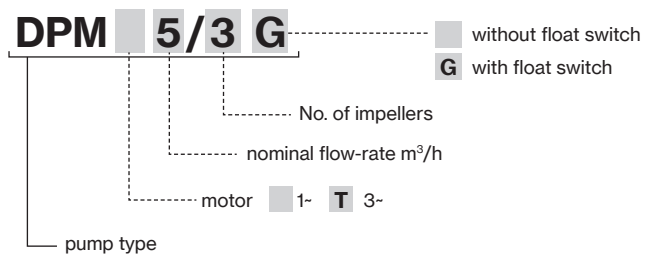
### Motor

3~ 400V - 50Hz

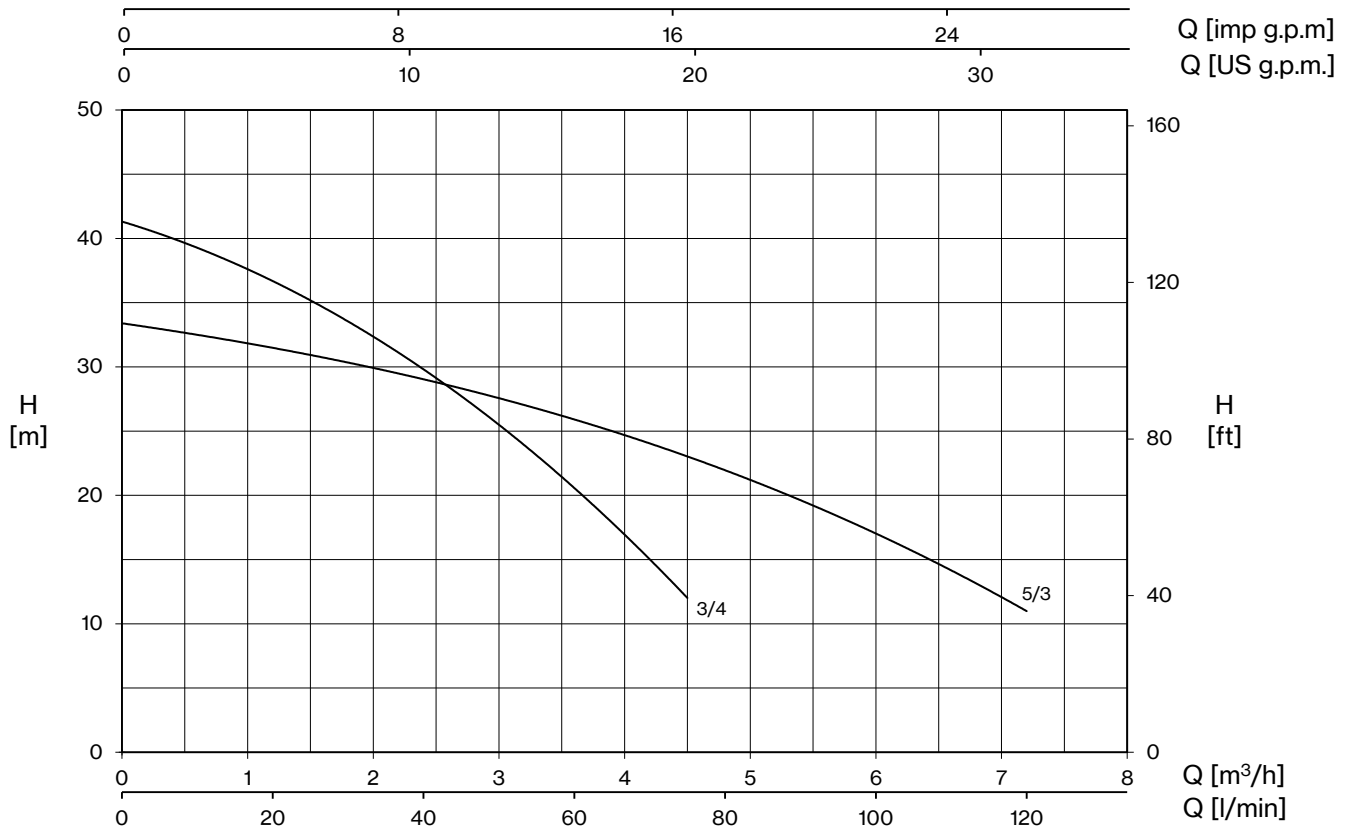
**2 Poles induction motor** 1~ 230V - 50Hz  
(with thermal protection)

**Insulation class** F

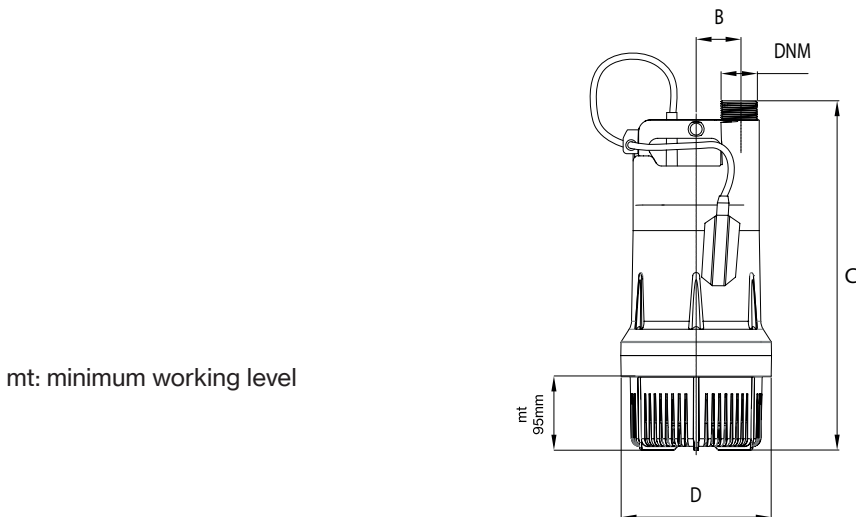
**Protection degree** IPX8





# DPM



TYPE		W	AMPERE		Q (m³/h - l/min)									
1~	3~		1~	3~	0	0,6	1,2	1,8	2,4	3,6	4,5	6	7,2	
			1~ 230V 50 Hz	3~ 400V 50 Hz	0	10	20	30	40	60	75	100	120	
		H (m)												
DPM 5/3 (G)	DPMT 5/3	900	3,9	1,7	33,4	32,5	31,5	30,3	29,0	26,0	23,0	17,0	11,0	
DPM 3/4 (G)	DPMT 3/4	800	3,4	1,6	41,3	39,3	36,7	33,5	29,8	20,6	12,0			



mt: minimum working level

TYPE	DIMENSIONS (mm)							 Kg
	B	C	D	DNM	I	L	M	
DPM 5/3	56	454	196	1" 1/2	264	203	482	10
DPM 3/4	56	454	196	1" 1/2	264	203	482	10,5

